



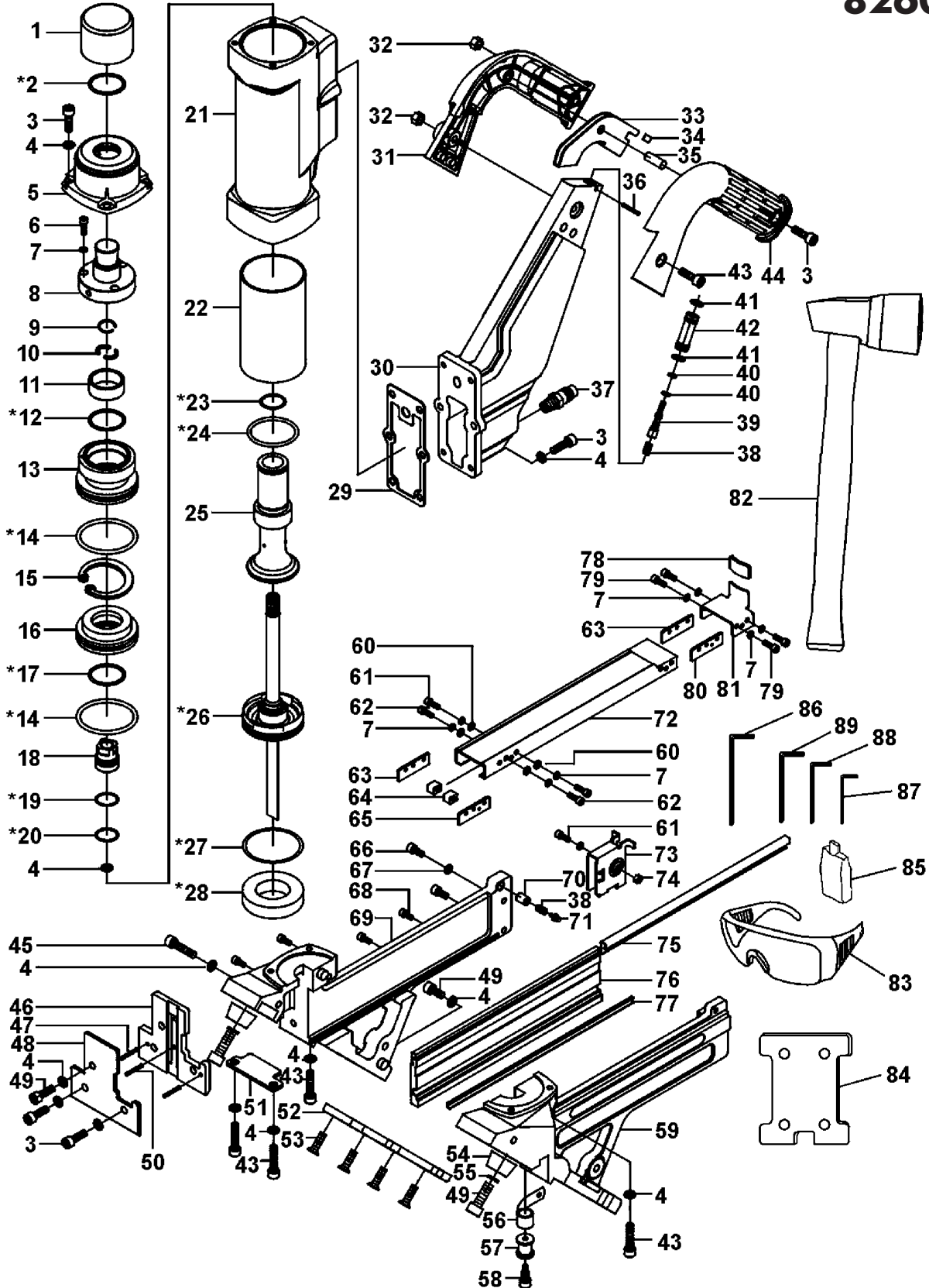
# Service Manual / Manuel de Service

## 2 in 1 - 2" Flooring Stapler/Cleat Nailer Kit Ens. Crampeuse/Cloueuse à Plancher 2" - 2 en 1



Revised/Revisé 08/2008

### 8260FSN





## Parts Pricing List / Liste de Prix des Pièces

# 8260FSN

Diag.	Order # Com.	English Description	Description Française	Qty./Qté.	Price/Prix
1	7482600010	IMPACT CAP	CAPUCHON A IMPACT	1	\$11.44
2	KW-092	BUMPER, DRIVER & O-RING REPL. KIT	TROUSSE DE REMPL. TIGE/AMOR./JOINT	1	-
3	7482600030	CAP SCREW	BOULON A TETE CYLINDRIQUE	12	\$2.70
4	7482600040	SPRING WASHER	RONDELLE A RESSORT	18	\$1.55
5	7482600050	CYLINDER COVER	COUVERCLE DU CYLINDRE	1	\$14.89
6	7482600060	CAP SCREW	BOULON A TETE CYLINDRIQUE	3	\$2.07
7	7482600070	SPRING WASHER	RONDELLE A RESSORT	11	\$1.55
8	7482600080	ACTUATOR (PART A)	ACTUATEUR (PARTIE A)	1	\$32.14
9	7482600090	SNAP RING	ANNEAU DE RETENU	1	\$1.67
10	7482600100	HALF RING	DEMI-ANNEAU	2	\$1.78
11	7482600110	BUSHING	BAGUE	1	\$3.74
12	KW-092	BUMPER, DRIVER & O-RING REPL. KIT	TROUSSE DE REMPL. TIGE/AMOR./JOINT	1	-
13	7482600130	ACTUATOR (PART B)	ACTUATEUR (PARTIE B)	1	\$28.69
14	KW-092	BUMPER, DRIVER & O-RING REPL. KIT	TROUSSE DE REMPL. TIGE/AMOR./JOINT	2	-
15	7482600150	RETAINING RING/SHAFT	ANNEAU DE RETENU/TIGE	1	\$5.46
16	7482600160	POPPET	SOUPAPE	1	\$11.44
17	KW-092	BUMPER, DRIVER & O-RING REPL. KIT	TROUSSE DE REMPL. TIGE/AMOR./JOINT	1	-
18	7482600180	PLUNGER	PISTON	1	\$7.99
19	KW-092	BUMPER, DRIVER & O-RING REPL. KIT	TROUSSE DE REMPL. TIGE/AMOR./JOINT	1	-
20	KW-092	BUMPER, DRIVER & O-RING REPL. KIT	TROUSSE DE REMPL. TIGE/AMOR./JOINT	1	-
21	7482600210	BODY	BOITIER	1	\$114.94
22	7482600220	CYLINDER	CYLINDRE	1	\$34.44
23	KW-092	BUMPER, DRIVER & O-RING REPL. KIT	TROUSSE DE REMPL. TIGE/AMOR./JOINT	1	-
24	KW-092	BUMPER, DRIVER & O-RING REPL. KIT	TROUSSE DE REMPL. TIGE/AMOR./JOINT	1	-
25	7482600250	POPPET	SOUPAPE	1	\$63.19
26	KW-092	BUMPER, DRIVER & O-RING REPL. KIT	TROUSSE DE REMPL. TIGE/AMOR./JOINT	1	-
27	KW-092	BUMPER, DRIVER & O-RING REPL. KIT	TROUSSE DE REMPL. TIGE/AMOR./JOINT	1	-
28	KW-092	BUMPER, DRIVER & O-RING REPL. KIT	TROUSSE DE REMPL. TIGE/AMOR./JOINT	1	-
29	7482600290	GASKET	JOINT D'ETANCHEITE	1	\$5.58
30	7482600300	ARM	BRAS	1	\$103.44
31	7482600310	RIGHT HANDLE	POIGNEE DROITE	1	\$17.19
32	7482600320	HEX. NUT	ECROU HEXAGONAL	2	\$1.55
33	7482600330	TRIGGER	GACHETTE	1	\$4.54
34	7482600340	RUBBER BUMPER	AMORTISSEUR EN CAOUTCHOUC	1	\$2.01
35	7482600350	PIN	GOUPILLE	1	\$1.67
36	7482600360	SPRING PIN	GOUPILLE A RESSORT	1	\$1.55
37	7482600370	MALE AIR CONNECTOR	CONNECTEUR A AIR MALE	1	\$4.89
38	7482600380	SPRING	RESSORT	2	\$2.24
39	7482600390	TRIGGER VALVE	SOUPAPE DE LA GACHETTE	1	\$4.54
40	7482600400	O-RING	JOINT TORIQUE	2	\$1.67
41	7482600410	O-RING	JOINT TORIQUE	2	\$2.01
42	7482600420	TRIGGER VALVE GUIDE	GUIDE DE LA SOUPAPE/GACHETTE	1	\$6.84
43	7482600430	CAP SCREW	BOULON A TETE CYLINDRIQUE	4	\$2.82
44	7482600440	LEFT HANDLE	POIGNEE GAUCHE	1	\$17.19
45	7482600450	CAP SCREW	BOULON A TETE CYLINDRIQUE	1	\$3.05
46	7482600460	DRIVER PLATE	PLAQUE DE LA TIGE DE POUSSEE	1	\$17.19
47	7482600470	PIN	GOUPILLE	3	\$1.90

Pricing subject to change without prior notice. / Prix sujet à changement sans préavis.



## Parts Pricing List / Liste de Prix des Pièces

# 8260FSN

Diag.	Order # Com.	English Description	Description Française	Qty./Qté.	Price/Prix
48	7482600480	DRIVER GUIDE PLATE	PLAQUE DE GUIDE/TIGE DE POUSSEE	1	\$14.89
49	7482600490	CAP SCREW	BOULON A TETE CYLINDRIQUE	5	\$2.47
50	7482600500	PIN	GOUPILLE	3	\$1.67
51	7482600510	PLATE	PLAQUE	1	\$5.69
52	7482600520	NON-MARRING BASE (5/16")	BASE ANTI-EGRATIGNURE (5/16")	1	\$10.29
53	7482600530	COUNTERSUNK SCREW	VIS A TETE FRAISEE	4	\$1.78
54	7482600540	PAD	COUSSINET	2	\$4.54
55	7482600550	WASHER	RONDELLE	2	\$1.55
56	7482600560	COIL SPRING	RESSORT TORSADE	1	\$11.44
57	7482600570	SPRING BRACKET	SUPPORT DE RESSORT	1	\$5.69
58	7482600580	SPECIAL CAP SCREW	BOULON A TETE CYLINDRIQUE SPEC.	1	\$3.39
59	7482600590	MAGAZINE HOUSING (LEFT SIDE)	BOITIER DU CHARGEUR (GAUCHE)	1	\$63.19
60	7482600600	WASHER	RONDELLE	4	\$1.67
61	7482600610	CAP SCREW	BOULON A TETE CYLINDRIQUE	3	\$2.47
62	7482600620	CAP SCREW	BOULON A TETE CYLINDRIQUE	2	\$2.47
63	7482600630	PLATE	PLAQUE	2	\$3.28
64	7482600640	LIMIT NUT	ECROU DE LIMITE	2	\$2.59
65	7482600650	PLATE	PLAQUE	1	\$3.28
66	7482600660	CAP SCREW	BOULON A TETE CYLINDRIQUE	2	\$2.24
67	7482600670	SPRING WASHER	RONDELLE A RESSORT	2	\$1.55
68	7482600680	CAP SCREW	BOULON A TETE CYLINDRIQUE	4	\$2.13
69	7482600690	MAGAZINE HOUSING (RIGHT SIDE)	BOITIER DU CHARGEUR (COTE DROIT)	1	\$63.19
70	7482600700	BUSHING	BAGUE	1	\$2.47
71	7482600710	PIN	GOUPILLE	1	\$2.59
72	7482600720	MOVABLE MAGAZINE	CHARGEUR MOBILE	1	\$28.69
73	7482600730	FEEDER	GUIDE	1	\$4.54
74	7482600740	HEX. NUT	ECROU HEXAGONAL	1	\$1.55
75	7482600750	RAIL	RAIL	1	\$6.84
76	7482600760	MAGAZINE PLATE	PLAQUE DU CHARGEUR	1	\$32.14
77	7482600770	RAIL	RAIL	1	\$6.61
78	7482600780	RUBBER HANDLE	POIGNEE EN CAOUTCHOUC	1	\$2.47
79	7482600790	CAP SCREW	BOULON A TETE CYLINDRIQUE	4	\$2.24
80	7482600800	STOP PLATE	PLAQUE D'ARRET	2	\$3.39
81	7482600810	PULL HANDLE	POIGNEE A TIRER	1	\$4.31
82	7482600820	RUBBER MALLET	MAILLET EN CAOUTCHOUC	1	\$45.94
83	7482600830	SAFETY GLASSES	LUNETTES DE SECURITE	1	\$22.71
84	7482600840	NON-MARRING BASE (1/4")	BASE ANTI-EGRATIGNURE (1/4")	1	\$9.95
85	7482600850	OIL BOTTLE	BOUTEILLE D'HUILE	1	\$4.31
86	7482600860	LONG HEX. KEY (5MM)	CLE HEXAGONALE LONGUE (5MM)	1	\$3.16
87	7482600870	HEX. KEY (3MM)	CLE HEXAGONALE (3MM)	1	\$2.59
88	7482600880	HEX. KEY (4MM)	CLE HEXAGONALE (4MM)	1	\$2.70
89	7482600890	HEX. KEY (5MM)	CLE HEXAGONALE (5MM)	1	\$2.82
	748260MBIL	BILINGUAL MANUAL 8260FSN	MANUEL BILINGUE 8260FSN	1	\$15.00

\*These parts are only available as an accessory "Bumper, Driver & O-Ring Replacement Kit" model: KW-092

\*Ces pièces sont seulement disponibles en accessoire comme "Trousse de Remplacement Tige de Pousser, Amortisseur & Joint Toriques" modèle: KW-092