



# Service Manual / Manuel de Service

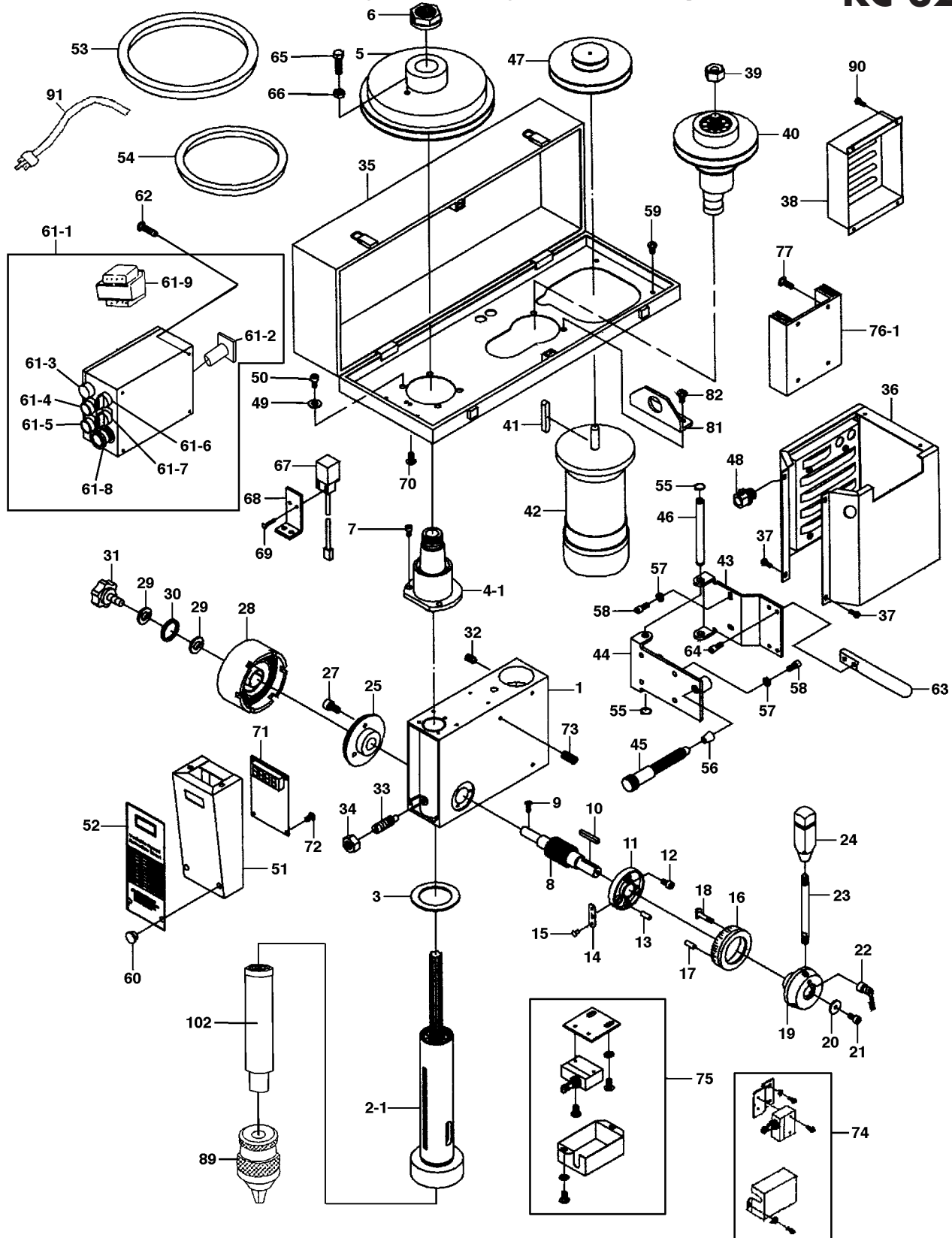
## 20" Variable Speed Drill Press Perceuse à Colonne à Vitesse Variables 20"



Revised/Revisé 08/2008

### Main Diagram / Diagramme Principale

# KC-32VS





# Service Manual / Manuel de Service

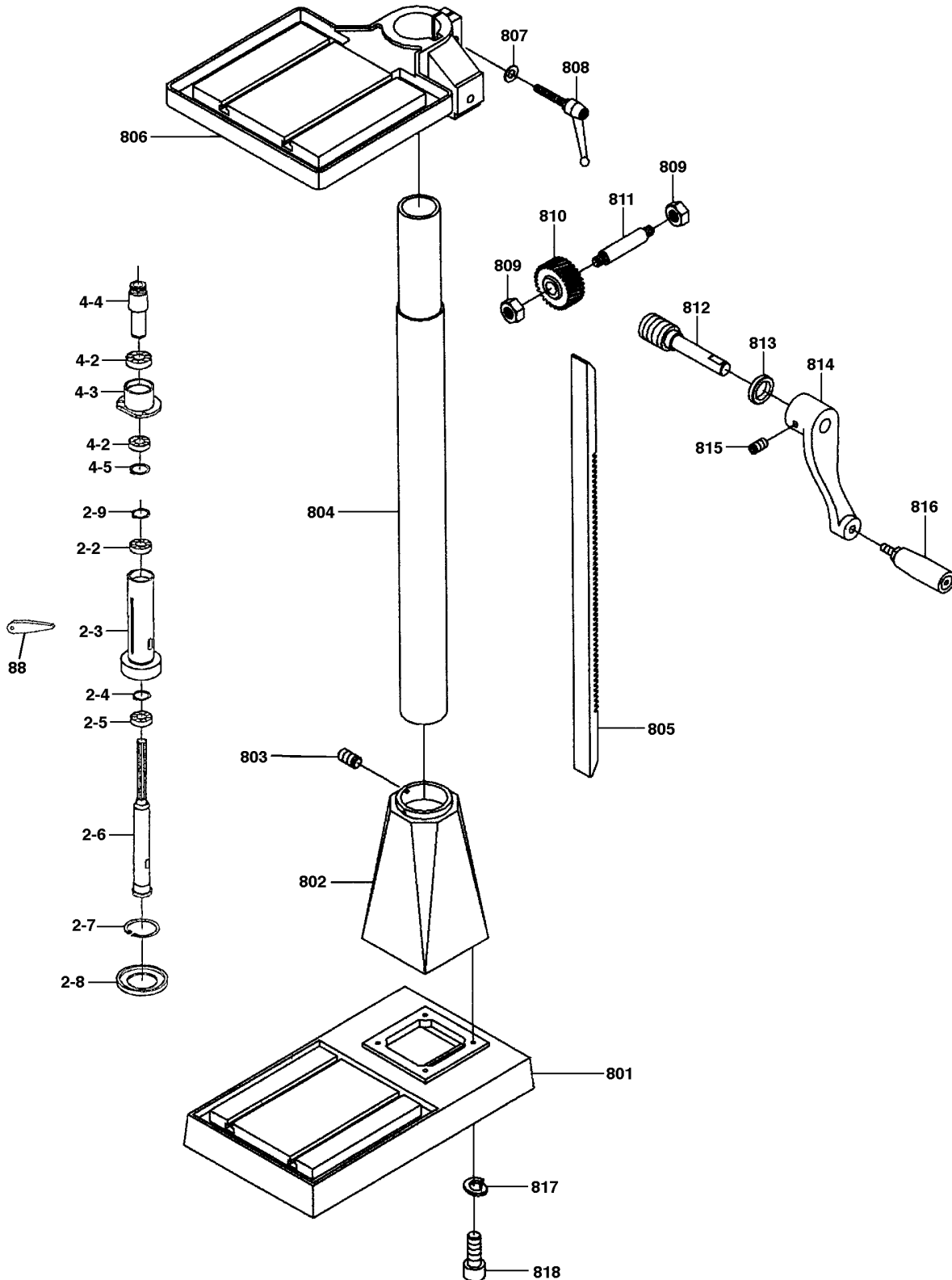
## 20" Variable Speed Drill Press Perceuse à Colonne à Vitesse Variables 20"



Revised/Revisé 08/2008

### Table and Column Base Diagram / Diagramme de la Table et de la Colonne

# KC-32VS





# Parts Pricing List / Liste de Prix des Pièces **KC-32VS**

Diag.	Order # Com.	English Description	Description Française	Qty./Qté.	Price/Prix
1	1200320010	HEAD BODY	BOITIER DE LA TETE	1	\$458.85
2-1	1200320021	SPINDLE QUILL ASS'Y	QUILLE ET ARBRE ASSEMBLE	1	\$572.70
2-2	1200320022	BALL BEARING	ROULEMENT A BILLES	1	\$22.94
2-3	1200320023	QUILL	QUILLE	1	\$261.05
2-4	1200320024	C-RETAINING RING	ANNEAU EN "C"	1	\$2.59
2-5	1200320025	BALL BEARING	ROULEMENT A BILLES	1	\$52.84
2-6	1200320026	SPINDLE SHAFT	ARBRE	1	\$309.35
2-7	1200320027	C-RETAINING RING	ANNEAU EN "C"	1	\$2.59
2-8	1200320028	BEARING CAP	COUVERCLE DE ROULEMENT	1	\$14.89
2-9	1200320029	C-RETAINING RING	ANNEAU EN "C"	1	\$2.59
3	1200320030	RUBBER FLANGE	BRIDE EN CAOUTCHOUC	1	\$4.54
4-1	1200320041	SPINDLE TAPER SLEEVE ASS'Y	ADAPTATEUR CONIQUE ASS.	1	\$217.35
4-2	1200320042	BALL BEARING	ROULEMENT A BILLES	2	\$41.34
4-3	1200320043	BEARING BASE	SUPPORT DU ROULEMENT	1	\$50.31
4-4	1200320044	SPINDLE TAPER SLEEVE	ADAPTATEUR CONIQUE DE L'ARBRE	1	\$98.73
4-5	1200320045	C-RETAINING RING	ANNEAU EN "C"	1	\$2.59
5	1200320050	SPINDLE PULLEY	POULIE DE L'ARBRE	1	\$112.53
6	1200320060	SPINDLE LOCK NUT	ECROU DE L'ARBRE	1	\$14.89
7	1200320070	CAP SCREW	BOULON A TETE CYLINDRIQUE	3	\$1.73
8	1200320080	PINION SHAFT	TIGE A PIGNON	1	\$96.43
9	1200320090	FLAT CROSS HD. SCREW	VIS A TETE PLATE	1	\$1.55
10	1200320100	KEY	CLE DE RETENUE	1	\$2.47
11	1200320110	PINION SUPPORT	SUPPORT DE LA TIGE A PIGNON	1	\$50.43
12	1200320120	CAP SCREW	BOULON A TETE CYLINDRIQUE	3	\$2.01
13	1200320130	PIN	GOUPILLE	1	\$1.90
14	1200320140	INDICATOR PLATE	PLAQUE INDICATRICE	1	\$3.28
15	1200320150	RIVET	RIVET	2	\$2.01
16	1200320160	GRADUATED DIAL INDICATOR	CADRAN INDICATEUR GRADUE	1	\$68.94
17	1200320170	PIN	GOUPILLE	1	\$3.28
18	1200320180	SCALE BASE BOLT	BOULON DE RETENU INDICATEUR	1	\$12.59
19	1200320190	HANDLE BODY	SUPPORT DES POIGNEES	1	\$73.43
20	1200320200	BUSHING WASHER	RONDELLE BAGUE	1	\$2.24
21	1200320210	CAP SCREW	BOULON A TETE CYLINDRIQUE	1	\$2.70
22	1200320220	FIXED GRIP	LOCQUET DE VERROUILLAGE	1	\$6.73
23	1200320230	HANDLE	POIGNEE	3	\$13.05
24	1200320240	KNOB	BOUTON DE LA POIGNEE	3	\$21.56
25	1200320250	SPRING BASE	BASE DU RESSORT	1	\$33.18
27	1200320270	CR. RD. HD. SCREW	BOULON A TETE RONDE	3	\$1.67
28	1200320280	SPRING COVER	COUVERCLE DU RESSORT	1	\$57.21
29	1200320290	SPRING WASHER	RONDELLE A RESSORT	2	\$1.50
30	1200320300	WASHER	RONDELLE	1	\$1.50
31	1200320310	LOCK KNOB	BOUTON DE VERROUILLAGE	1	\$4.43
32	1200320320	SET SCREW	VIS SANS TETE	4	\$1.90
33	1200320330	KEY SCREW	BOULON CLE	1	\$10.06
34	1200320340	HEX. NUT	ECROU HEX.	1	\$1.55
35	1200320350	BELT COVER	COUVERCLE DES COURROIES	1	\$342.70
36	1200320360	MOTOR COVER	COUVERCLE DU MOTEUR	1	\$228.85

Pricing subject to change without prior notice. / Prix sujet à changement sans préavis.



# Parts Pricing List / Liste de Prix des Pièces **KC-32VS**

Diag.	Order # Com.	English Description	Description Française	Qty./Qté.	Price/Prix
37	1200320370	CAP SCREW	BOULON A TETE CYLINDRIQUE	4	\$1.55
38	1200320380	DRIVER CONTROL COVER	COUV. DU SYSTEME DE CONTROLE	1	\$102.35
39	1200320390	HEX. NUT	ECROU HEX.	1	\$3.74
40	1200320400	FIXED SHAFT	TIGE DE FIXATION	1	\$297.85
41	1200320410	KEY	CLE DE RETENUE	1	\$2.47
42	1200320420	MOTOR	MOTEUR	1	\$838.35
43	1200320430	LEFT MOTOR PLATE	PLAQUE DU MOTEUR (GAUCHE)	1	\$62.04
44	1200320440	RIGHT MOTOR PLATE	PLAQUE DU MOTEUR (DROIT)	1	\$78.14
45	1200320450	FIXED THREAD SHAFT	TIGE VISSEE DES FIXATIONS	1	\$41.23
46	1200320460	FIXED SHAFT	TIGE DE FIXATION	1	\$20.18
47	1200320470	MOTOR PULLEY	POULIE DU MOTEUR	1	\$107.81
48	1200320480	WIRE NIPPLE	RACCORD DE FILS	3	\$8.45
49	1200320490	SPRING WASHER	RONDELLE A RESSORT	2	\$1.44
50	1200320500	CAP SCREW	BOULON A TETE CYLINDRIQUE	2	\$2.01
51	1200320510	FRONT COVER	COUVERCLE AVANT	1	\$210.45
52	1200320520	SPEED CHART	TABLEAU DES VITESSES	1	\$57.44
53	1200320530	V-BELT	COURROIE EN V	1	\$45.71
54	1200320540	V-BELT	COURROIE EN V	1	\$39.73
55	1200320550	C-RETAINING RING	ANNEAU EN "C"	2	\$1.90
56	1200320560	RUBBER PLUG	POUSSOIR EN CAOUTCHOUC	1	\$10.29
57	1200320570	SPRING WASHER	RONDELLE A RESSORT	6	\$1.50
58	1200320580	CAP SCREW	BOULON A TETE CYLINDRIQUE	6	\$1.84
59	1200320590	RD. HD. SCREW	VIS A TETE RONDE	2	\$1.55
60	1200320600	HOLE PLUG	CAPUCHON POUR TROU	2	\$2.01
61-1	1200320611	ELECTRIC BOX ASS'Y	BOITE ELECTRIQUE ASSEMBLE	1	\$907.35
61-2	1200320612	ON/OFF SWITCH	INTERRUPTEUR "ON/OFF"	1	\$248.23
61-3	1200320613	START-BUTTON	BOUTON DE DEMARRAGE	1	\$100.80
61-4	1200320614	STOP-BUTTON	BOUTON D'ARRET	1	\$39.04
61-5	1200320615	VAR.SPEED CONTROL BUTTON	CONTROLE DE LA VITESSE	1	\$34.21
61-6	1200320616	TAPPING/DRILLING SELECTOR	SEL. DE FILETAGE ET PERCAGE	1	\$103.21
61-7	1200320617	START-TAPPING BUTTON	BOUTON DE DEMARRAGE	1	\$96.20
61-8	1200320618	EMERGENCY SAFETY SWITCH	INTERR. D'ARRET D'URGENCE	1	\$78.95
61-9	1200320619	TRANSFORMER	TRANSFORMATEUR	1	\$91.94
62	1200320620	RD. HD. SCREW	VIS A TETE RONDE	4	\$1.67
63	1200320630	TENSION HANDLE	TENSIONNEUR	1	\$37.89
64	1200320640	CAP SCREW	BOULON A TETE CYLINDRIQUE	2	\$2.47
65	1200320650	HEX. BOLT	BOULON HEX.	2	\$1.78
66	1200320660	HEX. NUT	ECROU HEX.	2	\$1.55
67	1200320670	PROXIMITY SENSOR SWITCH	INTERRUPTEUR DE DETECTION	1	\$90.68
68	1200320680	SWITCH SUPPORT	SUPPORT DE L'INTERRUPTEUR	1	\$68.94
69	1200320690	RD. HD. SCREW	VIS A TETE RONDE	2	\$1.55
70	1200320700	RD. HD. SCREW	VIS A TETE RONDE	2	\$1.55
71	1200320710	LCD RPM MONITOR	TABLEAU DE CONTROLE	1	\$377.20
72	1200320720	RD. HD. SCREW	VIS A TETE RONDE	4	\$1.55
73	1200320730	SET SCREW	VIS SANS TETE	1	\$2.65
74	1200320740	QUILL LIMIT SWITCH	INTERR. DE CONTACT (QUILLE)	1	\$68.83
75	1200320750	LIMIT SWITCH SUPPORT SET	ENS. D'INTERRUPTEUR CONTACT	1	\$68.83

Pricing subject to change without prior notice. / Prix sujet à changement sans préavis.



# Parts Pricing List / Liste de Prix des Pièces **KC-32VS**

Diag.	Order # Com.	English Description	Description Française	Qty./Qté.	Price/Prix
76-1	1200320761	DRIVER BOARD ASS'Y	TABLEAU D'OPERATION ASSEMBLE	1	\$757.85
77	1200320770	RD. HD. SCREW	VIS A TETE RONDE	1	\$1.67
81	1200320810	HANGER	SUPPORT EN ANGLE	1	\$31.91
82	1200320820	RD. HD. SCREW	VIS A TETE RONDE	2	\$1.67
88	1200320880	PUNCH KEY	CLE DE DEBLOCAGE	1	\$9.14
89	KDC-12M	1/2" JT6 CHUCK	MANDRIN 1/2" JT6	1	-
90	1200320900	RD. HD. SCREW	VIS A TETE RONDE	4	\$1.67
91	1200320910	POWER CORD	CORDON D'ALIMENTATION	1	\$28.58
102	1200321020	CHUCK ARBOR MT4-JT6	ARBRE DU MANDRIN MT4-JT6	1	\$44.45
801	1200328010	HEAVY DUTY BASE	SOCLE ULTRA-ROBUSTE	1	\$316.25
802	1200328020	COLUMN HOLDER	SUPPORT DE COLONNE	1	\$302.45
803	1200328030	SET SCREW	VIS SANS TETE	2	\$2.24
804	1200328040	COLUMN	COLONNE	1	\$424.35
805	1200328050	RACK	CREMAILLERE	1	\$91.60
806	1200328060	SQ. WORKING TABLE	TABLE DE TRAVAIL CARRE	1	\$573.85
807	1200328070	SPRING WASHER	RONDELLE A RESSORT	1	\$1.78
808	1200328080	LOCK HANDLE	POIGNEE DE VERROUILLAGE	1	\$36.74
809	1200328090	HEX. NUT	ECROU HEX.	2	\$1.78
810	1200328100	WORM GEAR	ENGRENAGE SANS FIN	1	\$56.18
811	1200328110	GEAR SHAFT	TIGE DE L'ENGRENAGE	1	\$27.43
812	1200328120	WORM SHAFT	TIGE A ENGRENAGE SANS FIN	1	\$57.44
813	1200328130	BUSHING	BAGUE	1	\$5.58
814	1200328140	UP-DOWN HANDLE	POIGNEE D'ELEVATION DE LA TABLE	1	\$28.35
815	1200328150	SET SCREW	VIS SANS TETE	1	\$2.01
816	1200328160	SCREW HANDLE	POIGNEE VISSEE	1	\$14.89
817	1200328170	SPRING WASHER	RONDELLE A RESSORT	4	\$1.78
818	1200328180	CAP SCREW	BOULON A TETE CYLINDRIQUE	4	\$2.59
	120032MBIL	BILINGUAL MANUAL KC-32VS	MANUEL BILINGUE KC-32VS	1	\$15.00