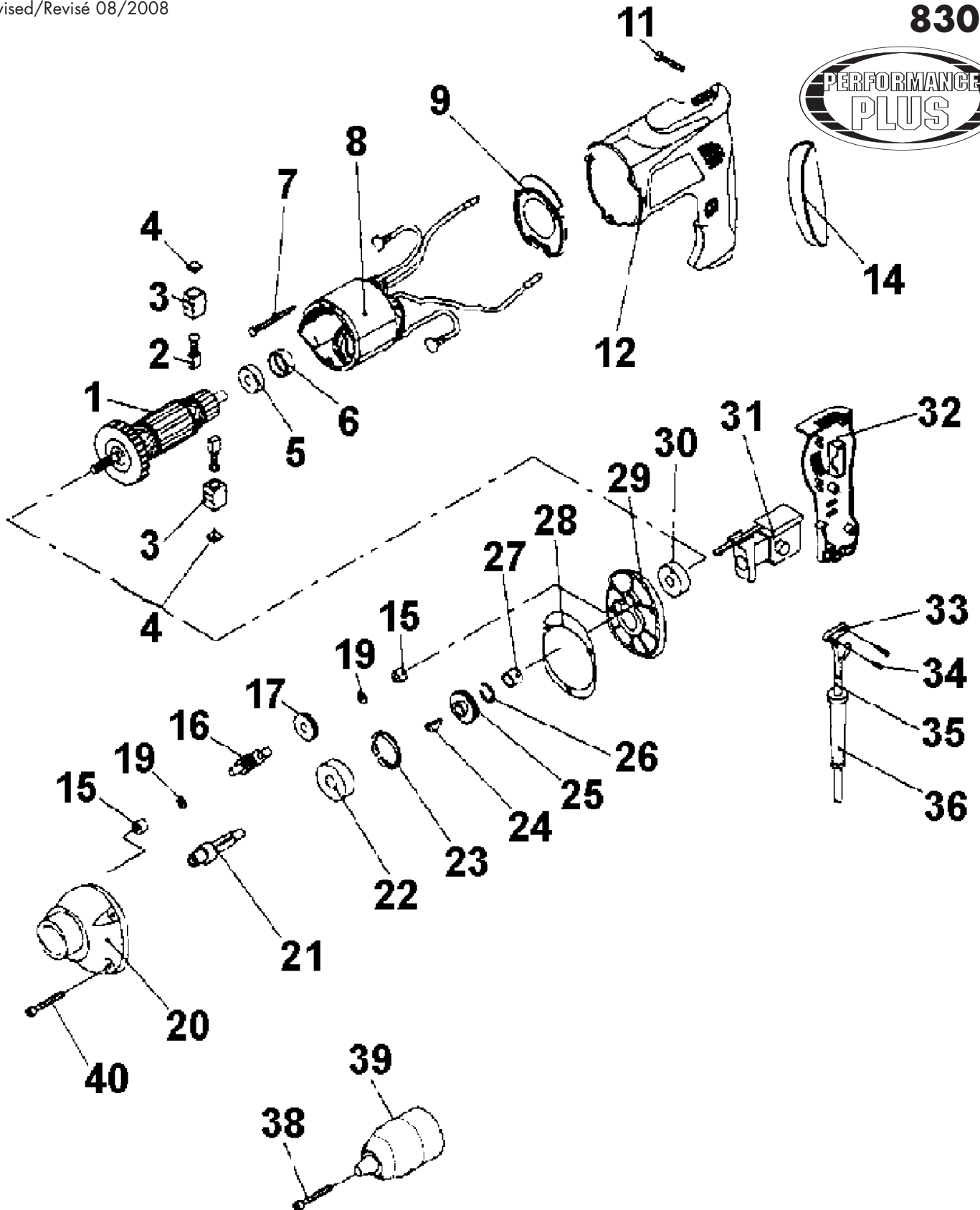




Electric Drill Perceuse Électrique

Revised/Revisé 08/2008

8304





Parts Pricing List / Liste de Prix des Pièces

8304

Diag.	Order # Com.	English Description	Description Française	Qty./Qté.	Price/Prix
1	4983040010	ARMATURE	ARMATURE	1	\$19.26
2	4983040020	CARBON BRUSH SET (2)	ENSEMBLE DE BALAIS	1	\$10.75
3	4983040030	BRUSH HOLDER	PORTE BALAI	2	\$3.39
4	4983040040	BRUSH CAP	CAPUCHON DES BALAIS	2	\$2.13
5	4983040050	BALL BEARING	ROULEMENT A BILLES	1	\$13.74
6	4983040060	BEARING COVER	COUVERCLE DU ROULEMENT	1	\$6.84
7	4983040070	SCREW	VIS	2	\$2.82
8	4983040080	FIELD COIL	BOBINE D'ENTRAINEMENT	1	\$15.93
9	4983040090	FAN COVER	COUVERCLE DU VENTILATEUR	1	\$5.46
11	4983040110	SCREW	VIS	4	\$1.67
12	4983040120	FIELD COIL HOUSING	BOITIER DE LA BOBINE D'ENTR.	1	\$18.80
14	4983040140	SOFT GRIP	POIGNEE SOUPLE	1	\$3.39
15	4983040150	NEEDLE BEARING	ROULEMENT A AIGUILLES	2	\$19.49
16	4983040160	SHAFT	TIGE	1	\$10.29
17	4983040170	GEAR	ENGRENAGE	1	\$11.33
19	4983040190	WASHER	RONDELLE	2	\$1.55
20	4983040200	GEAR HOUSING	BOITIER D'ENGRENAGE	1	\$15.81
21	4983040210	SPINDLE	ARBRE	1	\$16.85
22	4983040220	BALL BEARING	ROULEMENT A BILLES	1	\$13.74
23	4983040230	RETAINING RING/BORE	ANNEAU DE RETENU/ALESAGE	1	\$2.13
24	4983040240	STEEL BALL (3MM)	BILLE EN ACIER (3MM)	1	\$1.67
25	4983040250	GEAR	ENGRENAGE	1	\$13.51
26	4983040260	RETAINING RING/SHAFT	ANNEAU DE RETENU/TIGE	1	\$1.55
27	4983040270	NEEDLE BEARING	ROULEMENT A AIGUILLES	1	\$19.49
28	4983040280	GASKET	JOINT D'ETANCHEITE	1	\$5.58
29	4983040290	GEAR HOUSING COVER	COUV. DU BOITIER D'ENGRENAGE	1	\$10.29
30	4983040300	BALL BEARING	ROULEMENT A BILLES	1	\$14.89
31	4983040310	SWITCH	INTERRUPTEUR	1	\$16.04
32	4983040320	RIGHT HANDLE	POIGNEE DROITE	1	\$7.76
33	4983040330	CORD CLAMP	ATTACHE CORDON	1	\$1.67
34	4983040340	SCREW	VIS	2	\$1.50
35	4983040350	POWER CORD	CORDON D'ALIMENTATION	1	\$16.04
36	4983040360	CORD GUARD	PROTEGE CORDON	1	\$2.70
38	4983040380	CHUCK SCREW	VIS DU MANDRIN	1	\$2.82
39	4983040390	3/8" KEYLESS CHUCK	MANDARIN SANS CLE 3/8"	1	\$14.89
40	4983040400	TAPPING SCREW	VIS AUTOTARAUEUSE	1	\$1.78
	498304MBIL	BILINGUAL MANUAL 8304	MANUEL BILINGUE 8304	1	\$15.00