



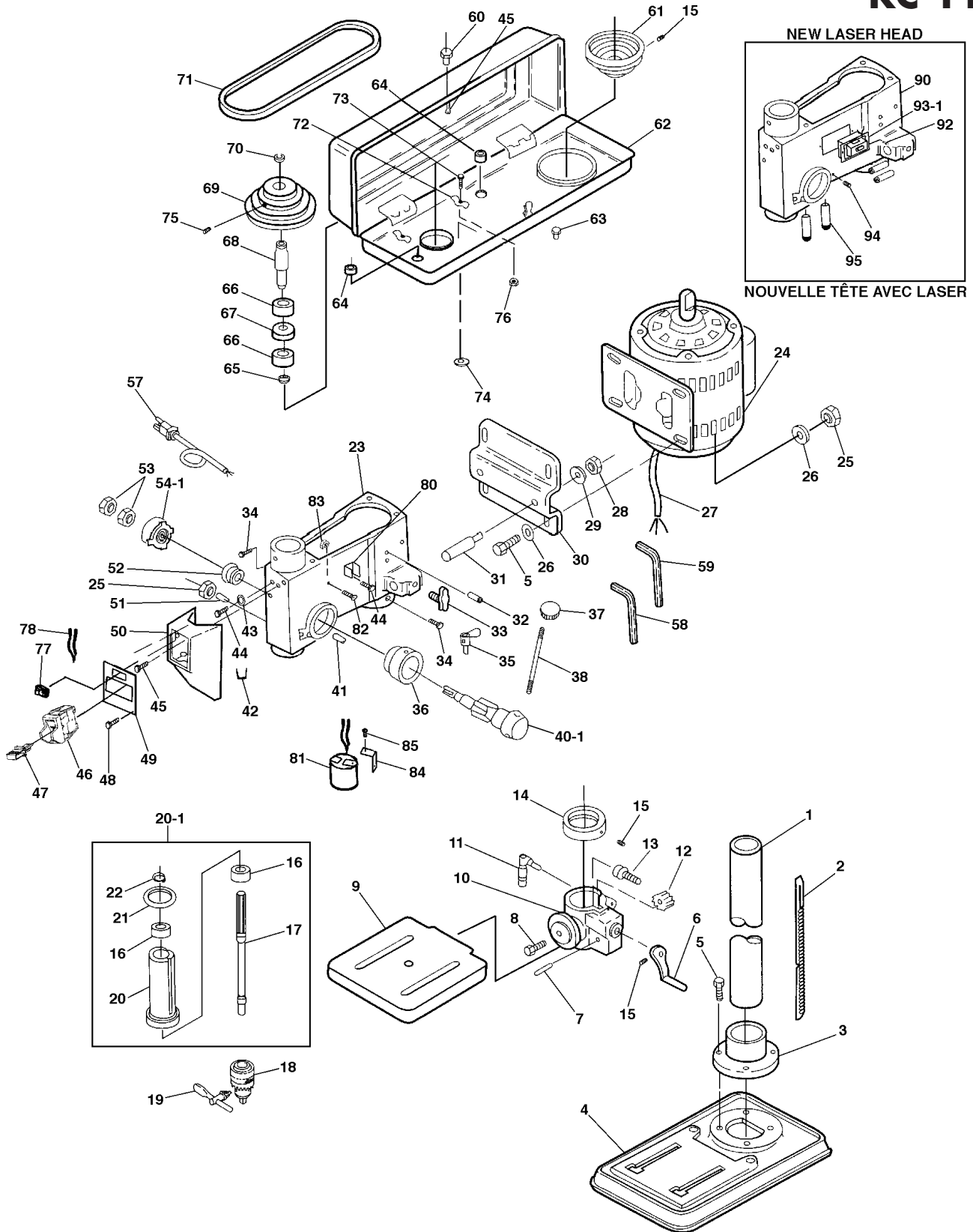
Service Manual / Manuel de Service

10" Drill Press with Dual Laser Guide System Perceuse À Colonne 10" avec Guide de Laser Double



Revised/Revisé 08/2008

KC-110C





Parts Pricing List / Liste de Prix des Pièces

KC-110C

Diag.	Order # Com.	English Description	Description Française	Qty./Qté.	Price/Prix
1	4001100010	COLUMN	COLONNE	1	\$34.33
2	4001100020	RACK	CREMAILLIERE	1	\$22.60
3	4001100030	COLUMN SUPPORT	SUPPORT DE LA COLONNE	1	\$16.73
4	4001100040	BASE	BASE	1	\$44.45
5	4001100050	HEX. BOLT	BOULON HEXAGONAL	4	\$1.78
6	4001100060	CRANK HANDLE	POIGNEE D'ELEVATION	1	\$12.25
7	4001100070	GEAR SHAFT	TIGE DE L'ENGRENAGE	1	\$3.28
8	4001100080	HEX. BOLT	BOULON HEXAGONAL	1	\$2.13
9	4001100090	SQUARE TABLE	TABLE CARREE	1	\$38.93
10	4001100100	TABLE SUPORT W/ SCALE	SUPPORT DE TABLE AVEC ECHELLE	1	\$27.43
11	4001100110	TABLE LOCK HANDLE	POIGNEE DE VERROUILLAGE	1	\$6.15
12	4001100120	HELICAL GEAR	ENGRENAGE HELICOIDALE	1	\$11.44
13	4001100130	ELEVATION WORM GEAR	TIGE D'ELEVATION	1	\$13.63
14	4001100140	RACK COLLAR	COLLIER DE LA COLONNE	1	\$8.80
15	4001100150	SET SCREW	VIS SANS TETE	2	\$1.55
16	4001100160	BALL BEARING	ROULEMENT A BILLES	2	\$11.10
17	4001100170	SPINDLE SHAFT	TIGE DE L'ARBRE	1	\$25.24
18	KDC-12	1/2" CHUCK	MANDRIN 1/2"	1	-
19	KM-003	CHUCK KEY	CLÉ DE MANDRIN	1	-
20	4001100200	QUILL	QUILLE	1	\$45.60
20-1	4001100201	COMPLETE QUILL ASS'Y	QUILLE ASSEMBLEE	1	\$80.33
21	4001100210	GASKET	JOINT D'ETANCHEITE	1	\$3.97
22	4001100220	RETAINING RING	ANNEAU DE RETENU	1	\$1.55
23	4001100230	HEAD	TETE	1	\$96.54
24	4001100240	MOTOR	MOTEUR	1	\$102.35
25	4001100250	HEX. NUT	ECROU HEXAGONAL	4	\$1.61
26	4001100260	WASHER	RONDELLE	8	\$1.50
27	4001100270	MOTOR CORD	CORDON DU MOTEUR	1	\$12.25
28	4001100280	HEX. NUT	ECROU HEXAGONAL	2	\$1.50
29	4001100290	LOCK WASHER	RONDELLE A RESSORT	2	\$1.55
30	4001100300	MOTOR BRACKET	SUPPORT DU MOTEUR	1	\$12.48
31	4001100310	MOTOR BRACKET SHAFT	TIGE SUPPORT DU MOTEUR	2	\$4.89
32	4001100320	ROLL PIN	GOUPILLE A RESSORT	1	\$1.78
33	4001100330	KNOB SCREW	BOUTON DE SERRAGE	2	\$3.28
34	4001100340	SET SCREW	VIS SANS TETE	3	\$1.90
35	4001100350	LOCK KNOB	BOUTON DE VERROUILLAGE	1	\$3.05
36	4001100360	DEPTH STOP W/SCALE	BAGUE D'ARRET AVEC ECHELLE	1	\$9.60
37	4001100370	HANDLE KNOB	BOUTON DE LA POIGNEE	3	\$3.97
38	4001100380	HANDLE	POIGNEE	3	\$9.03
40-1	4001100401	PINION SHAFT ASS'Y	TIGE PIGNON ET MOYAU ASS.	1	\$24.90
41	4001100410	STOP PIN	GOUPILLE D'ARRET	1	\$2.70
42	4001100420	WIRE JUMPER	LIAISON DE FIL	2	\$2.70
43	4001100430	TOOTH WASHER	RONDELLE DENTELEE	2	\$1.67
44	4001100440	PAN HD. SCREW	VIS	2	\$1.55
45	4001100450	PAN HD SCREW.	VIS	2	\$1.55
46	4001100460	SWITCH (2 PRONG)	INTERRUPTEUR (2 PATTES)	1	\$7.65
47	4001100470	SAFETY SWITCH KEY	CLE DE SECURITE D'INTERRUPTEUR	1	\$3.34

Pricing subject to change without prior notice. / Prix sujet à changement sans préavis.



Parts Pricing List / Liste de Prix des Pièces

KC-110C

Diag.	Order # Com.	English Description	Description Française	Qty./Qté.	Price/Prix
48	4001100480	SELF TAPPING SCREW	VIS AUTOTARAUDEUSE	3	\$1.55
49	4001100490	SWITCH PLATE	PLAQUE DE L'INTERRUPTEUR	1	\$3.28
50	4001100500	SWITCH BOX	BOITIER DE L'INTERRUPTEUR	1	\$7.65
51	4001100510	SPECIAL SCREW	VIS SPECIALE	1	\$3.16
52	4001100520	SPRING SEAT	SIEGE DU RESSORT	1	\$3.62
53	4001100530	HEX. NUT	ECROU HEXAGONAL	3	\$1.78
54-1	4001100541	SPRING CAP ASS'Y	RESSORT ET COUVERCLE ASS.	1	\$11.21
57	4001100570	POWER CORD	CORDON D'ALIMENTATION	1	\$13.74
58	4001100580	1/8" HEX. KEY	CLE HEX. 1/8"	1	\$2.93
59	4001100590	HEX. KEY (4MM)	CLE HEX. (4MM)	1	\$2.70
60	4001100600	COVER KNOB	BOUTON DU COUVERCLE	1	\$2.59
61	4001100610	MOTOR PULLEY	POULIE DU MOTEUR	1	\$22.71
62	4001100620	PULLEY GUARD	PROTEGE-POULIE	1	\$36.40
63	4001100630	SCREW	VIS	4	\$1.55
64	4001100640	RUBBER BUSHING	BAGUE EN CAOUTCHOUC	1	\$2.13
65	4001100650	RETAINING RING	ANNEAU DE RETENU	1	\$2.24
66	4001100660	BALL BEARING	ROULEMENT A BILLES	2	\$12.59
67	4001100670	BEARING SPACER	ESPACEUR DE ROULEMENT	1	\$4.54
68	4001100680	PULLEY INSERT	TIGE DE LA POULIE	1	\$13.28
69	4001100690	SPINDLE PULLEY	POULIE DE L'ARBRE	1	\$21.10
70	4001100700	RETAINING RING	ANNEAU DE RETENU	1	\$2.13
71	4001100710	V-BELT (K-31)	COURROIE EN V (K-31)	1	\$10.18
72	4001100720	CORD CLAMP	ATTACHE-FIL	3	\$1.67
73	4001100730	SCREW	VIS	3	\$1.55
74	4001100740	FOAM WASHER	RONDELLE EN MOUSSE	4	\$1.55
75	4001100750	SET SCREW	VIS SANS TETE	1	\$1.61
76	4001100760	HEX. NUT	ECROU HEXAGONAL	1	\$1.55
77	4001100770	LIGHT SWITCH (2 PRONG)	INTERRUPTEUR (2 PATTES)	1	\$10.06
78	4001100780	LIGHT CONNECTION WIRE	FIL ELECTRIQUE LUMIERE	1	\$3.05
80	4001100800	CHUCK KEY HOLDER	PORTE-CLE DU MANDRIN	1	\$3.05
81	4001100810	LIGHT FIXTURE	DOUILLE POUR AMPOULE	1	\$5.69
82	4001100820	SCREW	VIS	1	\$1.78
83	4001100830	HEX. NUT	ECROU HEXAGONAL	1	\$1.55
84	4001100840	SUPPORT PLATE	PLAQUE DE SUPPORT	1	\$2.24
85	4001100850	SCREW	VIS	1	\$1.55
90	4001100900	NEW LASER HEAD	NOUVELLE TETE POUR LASER	1	\$96.54
92	4001100920	PAN HD. SCREW	VIS	2	\$1.55
93-1	4001100931	LASER BOX & SWITCH ASS'Y	BOITIER & INTERR. DU LASER ASS.	1	\$17.08
94	4001100940	SET SCREW	VIS SANS TETE	2	\$1.55
95	4001100950	LASER GUIDE	GUIDE AU LASER	2	\$17.08
	400110MBIL	BILINGUAL MANUAL KC-110C	MANUEL BILINGUE KC-110C	1	\$15.00