

2852 52" ROUND DINING TABLE

Contents:

- (4) Legs
- (2) Side Braces
- (2) Table feet
- (1) Table Top

(16) 1/4 - 20 x 2 1/2" Bolts

(4) 1/4 - 20 x 3" Bolts

Tool Required:

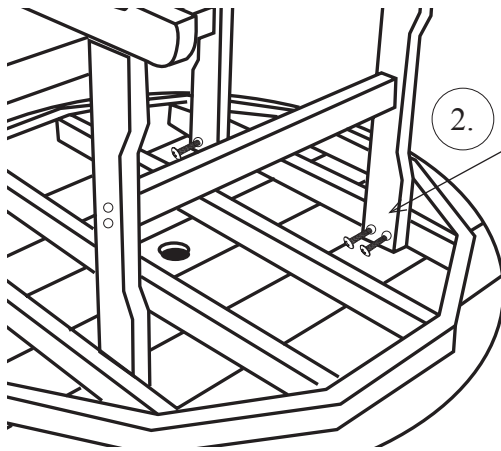
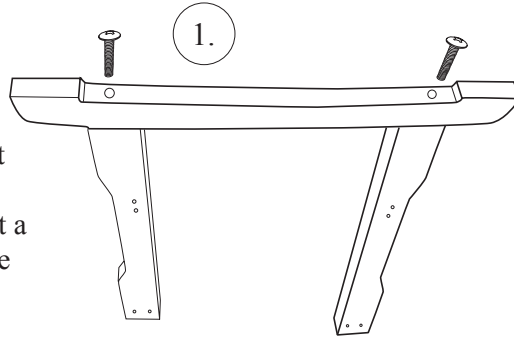
#3 Phillips Head Screwdriver



Assembly Instructions

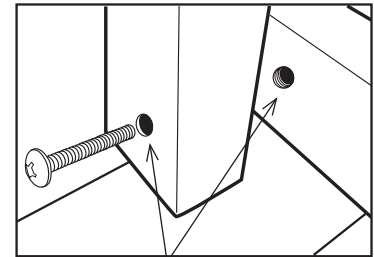
1. With the curved side facing out align the table leg with the predrilled hole on the foot of the table and insert a 1/4 - 20 x 3" bolt then tighten with the phillips screwdriver.

Repeat on the other end, do both sets.



2. Place the leg with foot inside the frame underneath the tabletop. Align the predrilled holes, insert two 1/4 - 20 x 2 1/2" bolts then tighten them with the phillips screwdriver.

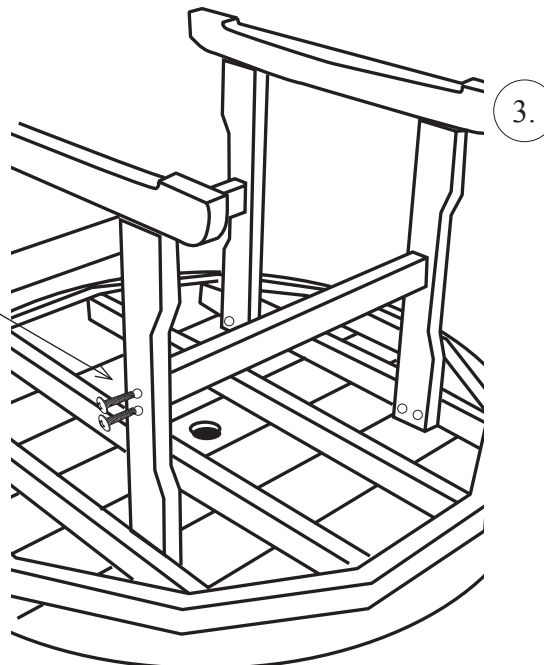
Repeat on the other leg, do both sides.



Align the predrilled holes on the leg with the metal insert on the frame, insert the bolt.

3. Place the side support braces vertically between the legs aligning the predrilled holes. Insert a 1/4-20 x 2 1/2" bolt thru the hole into the center brace then tighten it with the phillips screwdriver.

Repeat on the other brace, do both sides.





Care & Maintenance

Ocean Comfort products are constructed from HDPE (High Density Polyethelene), primarily a recycled material. UV inhibitors are also added to resist fading. Simply maintain your furniture by cleaning with soap and warm water to ensure its long lasting beauty. A soft bristle brush can be used on any tough to clean stains. Stainless steel hardware is used in the assembly of these products and should be rinsed regularly with fresh water if being used in a coastal environment.

KETTLER Limited Warranty

Ocean Comfort products are guaranteed for a period of 20 years (for residential use) and 5 years (for commercial use), starting from original purchase date. This warranty covers defects in materials and/or workmanship and does not apply to the hardware. Warranty not applicable to any products deemed as misused, abused or damaged due to an uncontrollable act of nature.

***For Parts and Service, please contact us directly at 866-804-0440 or email parts@kettlerusa.com**



Made in the U.S.A.

KETTLER® International Inc. • 1355 London Bridge Road • Virginia Beach, VA 23453
www.kettlerusa.com • info@kettlerusa.com