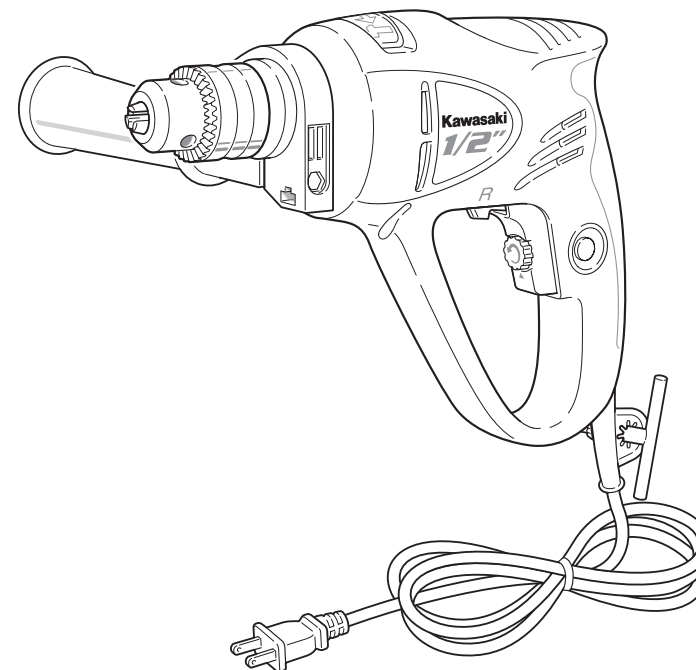


COMPONENT
#840271

Kawasaki™

1/2" VARIABLE SPEED ELECTRIC HAMMER DRILL

INSTRUCTION MANUAL



THIS MANUAL CONTAINS IMPORTANT INFORMATION REGARDING SAFETY, OPERATION, MAINTENANCE AND STORAGE OF THIS PRODUCT. BEFORE USE, READ CAREFULLY AND UNDERSTAND ALL CAUTIONS, WARNINGS, INSTRUCTIONS AND PRODUCT LABELS. FAILURE TO DO SO COULD RESULT IN SERIOUS PERSONAL INJURY AND/OR PROPERTY DAMAGE.

IF YOU SHOULD HAVE ANY QUESTIONS OR EXPERIENCE A PROBLEM WITH YOUR ALLTRADE PRODUCT, DO NOT RETURN THIS PRODUCT TO THE STORE. PLEASE CALL OUR CUSTOMER SERVICE DEPARTMENT AT **1-800-590-3723**. BEFORE YOU CALL, HAVE THE FOLLOWING INFORMATION AVAILABLE: MODEL NO., DATE PURCHASED AND STORE LOCATION. AN ALLTRADE REPRESENTATIVE CAN RESOLVE YOUR PROBLEM OVER THE PHONE. IF YOU WOULD LIKE TO MAKE A SUGGESTION OR COMMENT, GIVE US A CALL OR EMAIL US AT: INFO@ALLTRADETOOLS.COM. YOUR FEEDBACK IS VITAL TO US.

**FOR CUSTOMER SERVICE
POUR LE SERVICE APRÈS VENTE
OU DU CONSOMMATEUR**

**PARA EL SERVICIO
PARA EL CONSUMIDOR**

1-800-590-3723

Printed in China



KAWASAKI™ IS A TRADEMARK LICENSED BY KAWASAKI™ MOTORS CORP., U.S.A., WHICH DOES NOT MANUFACTURE OR DISTRIBUTE THIS PRODUCT. CONSUMER INQUIRES SHOULD BE DIRECTED TO:

©COPYRIGHT 2007 ALLTRADE TOOLS, LLC.
1431 VIA PLATA
LONG BEACH, CA 90810-1462 USA
840271 - 1/2" Variable Speed Hammer-Drill_Rev 3/26/07

TABLE OF CONTENTS

CONGRATULATIONS! 2

INTENDED USE 2

SECTION ONE

 GENERAL SAFETY RULES – FOR ALL ELECTRIC POWER TOOLS 2

 RECOGNIZE SAFETY SYMBOLS, WORDS AND LABELS 2-3

 IMPORTANT SAFEGUARDS 3

 WORK AREA 4

 ELECTRICAL SAFETY 4

 PERSONAL SAFETY 4-5

 TOOL USE AND CARE 5

 SERVICE 6

SECTION TWO

 SPECIFIC SAFETY RULES AND/OR SYMBOLS 6

 IMPORTANT SAFETY RULES FOR HAMMER DRILLS 6-7

 SYMBOLS 7

SECTION THREE

 FUNCTIONAL DESCRIPTION 8

 ASSEMBLY 8-9

 DRILL BIT INSERTION/REMOVAL 9

 OPERATING THE DRILL 9-11

 OPERATING THE ON/OFF SWITCH 10

 SPEED CONTROL ADJUSTING SWITCH 10

 REVERSING SWITCH LEVER 10

 HAMMER/DRILL SELECTOR 11

 USING THE DEPTH GAUGE 12

 DRILLING WOOD 12

 DRILLING MASONRY 12

 DRILLING METAL 13

SECTION FOUR

 MAINTENANCE AND CLEANING 13

 ACCESSORIES 13

 SPECIFICATIONS 14

 OTHER CONSUMER DO-IT-YOURSELF (DIY) TOOLS 14

SECTION FIVE

 2 YEAR LIMITED WARRANTY 15-18

CONGRATULATIONS!

Thanks for choosing this product. At Alltrade, our aim is to provide you with quality products at an affordable price, and we want you to be totally satisfied with your product and our Customer Service. If any help and advice is needed, please contact us at 1-800-590-3723. Properly cared for, this tool will give you many years of satisfaction.

INTENDED USE

This tool is intended for consumer use only. This tool is not designed for professional use. The power cord should only be used in approved electrical outlets as described in this manual.

GENERAL SAFETY RULES – FOR ALL ELECTRIC POWER TOOLS

⚠ WARNING **READ AND UNDERSTAND ALL INSTRUCTIONS.** Failure to follow all instructions listed below may result in electric shock, fire and/or serious personal injury.

RECOGNIZE SAFETY SYMBOLS, WORDS AND LABELS

The safety instructions provided in this manual are not intended to cover all possible conditions and practices that may occur when operating, maintaining and cleaning power tools.

Always use common sense and pay particular attention to all the **DANGER**, **WARNING**, **CAUTION** and **NOTE** statements of this manual.



This is the safety alert symbol. It is used to alert you to potential personal injury hazards. Obey all safety messages that follow this symbol to avoid possible injury or death.



DANGER indicates an imminently hazardous situation which, if not avoided, will result in death or serious injury.



WARNING indicates a potentially hazardous situation which, if not avoided, could result in death or serious injury.

⚠ CAUTION

CAUTION indicates a potentially hazardous situation which, if not avoided, may result in minor or moderate injury.

CAUTION

CAUTION used without the safety alert symbol indicates a potentially hazardous situation which, if not avoided, may result in property damage.

NOTE

NOTE provides additional information that is useful for proper use and maintenance of this tool. If a **NOTE** is indicated make sure it is fully understood.

IMPORTANT SAFEGUARDS

⚠ DANGER

People with electronic devices, such as pacemakers, should consult their physician(s) before using this product. Operation of electrical equipment in close proximity to a heart pacemaker could cause interference or failure of the pacemaker.

WARNING: Some dust created by power sanding, sawing, grinding, drilling and other construction activities contains chemicals known to the State of California to cause cancer, birth defects or other reproductive harm.

Some examples of these chemicals are:

- Lead from lead-based paints.
- Crystalline silica from bricks and cement and other masonry products, and arsenic and chromium from chemically-treated lumber.

Your risk from these exposures varies, depending on how often you do this type of work. To reduce your exposure to these chemicals: work in a well ventilated area, and work with approved safety equipment, such as dust masks that are specially designed to filter out microscopic particles.

WARNING: Handling the power cord on this product may expose you to lead, a chemical known to the State of California to cause cancer and birth defects or other reproductive harm. *Wash hands after handling.*

SAVE THESE INSTRUCTIONS FOR FUTURE REFERENCE.

WORK AREA

⚠ WARNING

Keep your work area clean and well lit. Cluttered work benches and dark work areas may cause accidents or injury.

Do not operate power tools in explosive areas, such as in the presence of flammable liquids, gases or dust. Power tools create sparks which may ignite the dust or fumes.

Keep bystanders, children and visitors away while operating a power tool. Distractions can cause you to lose control.

ELECTRICAL SAFETY

⚠ WARNING

Double insulated tools are equipped with a polarized plug (one blade is wider than the other.) This plug will fit in a polarized outlet only one way. If the plug does not fit fully in the outlet, reverse the plug. If it still does not fit, contact a qualified electrician to install a polarized outlet. **Do not change the plug in any way.** Double insulation eliminates the need for the three wire grounded power cord and grounded power supply system.

Avoid body contact with grounded surfaces such as pipes, radiators, ranges and refrigerators. There is an increased risk of electric shock if your body is grounded.

Don't expose power tools to rain or wet conditions. Water entering a power tool will increase the risk of electric shock.

Do not abuse the cord. Never use the cord to carry the tool or pull the plug from an outlet. Keep the cord away from heat, oil, sharp edges, or moving parts. Replace damaged cords immediately. Damaged cords increase the risk of electric shock.

When operating the tool outside, use an outdoor extension cord marked "W-A" or "W." These cords are rated for outdoor use and reduce the risk of electric shock.

PERSONAL SAFETY

⚠ WARNING

Stay alert, watch what you are doing, and use common sense when operating a power tool. Do not use tool while tired or under the influence of drugs, alcohol or medication. A moment of inattention while operating power tools may result in serious personal injury.

⚠ WARNING

Dress properly. Do not wear loose clothing or jewelry. Contain long hair. Keep your hair, clothing, and gloves away from moving parts. Loose clothes, jewelry or long hair can be caught in moving parts.

Avoid accidental starting. Be sure switch is off before plugging in. Carrying tools with your finger on the switch or plugging in tools that have the switch on invites accidents.

Remove adjusting keys or wrenches before turning the power tool "ON". A wrench or a key that is left attached to a rotating part of the power tool may result in personal injury.

Do not overreach. Keep proper footing and balance at all times. Proper footing and balance enables better control of the power tool in unexpected situations.

Use safety equipment. Always wear eye protection. Dust mask, non-skid safety shoes, hard hat or hearing protection must be used for appropriate conditions.

TOOL USE AND CARE

⚠ CAUTION

Use clamps or other practical ways to secure and support the workpiece to a stable platform. Holding the work by hand or against your body is unstable and may lead to loss of control.

Do not force tool. Use the correct tool for your application. The correct tool will do the job better and safer at the rate for which it is designed.

Do not use the tool if the power switch does not turn it "ON" or "OFF". Any tool that cannot be controlled with the switch is dangerous and must be repaired.

Disconnect the power cord plug from the power source before making any adjustments, changing accessories or storing the tool. Such preventive safety measures reduce the risk of starting the tool accidentally.

Store idle tools out of reach of children and other untrained persons. Tools are dangerous in the hands of untrained users.

Maintain tools with care. Keep cutting tools sharp and clean. Properly maintained tools with a sharp cutting edge are less likely to bind and are easier to control.

Check for misalignment or binding of moving parts, breakage of parts, and any other condition that may affect the tool's operation. If damaged, have the tool serviced before using.

Use only accessories that are recommended by the manufacturer for your model. Accessories that may be suitable for one tool, may become hazardous when used on another tool.

SERVICE

Tool service must be performed only by qualified repair personnel. Service or maintenance by unqualified personnel could result in a risk of injury.

When servicing a tool, use only identical replacement parts. Follow instructions in the Maintenance section of this manual. Use of unauthorized parts or failure to follow Maintenance Instructions may create a risk of shock or injury.

SPECIFIC SAFETY RULES AND/OR SYMBOLS

⚠ CAUTION

Hold tool by insulated gripping surfaces when performing an operation where the cutting tool may contact hidden wiring. Contact with a "live" wire will also make exposed metal parts of the tool "live" and shock the operator.

IMPORTANT SAFETY RULES FOR HAMMER DRILLS

⚠ CAUTION

This tool is supplied with a fitted electrical plug. Do not use an extension cord or replacement electrical plug. Replace damaged or worn power cords immediately.

For safety and better control, always use both hands to hold tool. If the bit jams and kicks back, having both hands on the drill will make it easier to handle.

Always use the side handles supplied with the tool. Keep a firm grip on the tool at all times. Do not attempt to operate this tool without holding it in both hands.

Always wear eye protection and an OSHA-approved dust mask when drilling.

Wear safety goggles or other eye protection. Hammering and drilling operations cause chips to fly. Flying particles can cause permanent eye damage.

Wear ear protection when hammering for extended periods of time. Temporary hearing loss or serious drum damage may result from high sound levels generated by hammer drilling.

Never hold the work piece in your hand or against your body. Use clamps to anchor the work piece to a stable base. Never drill material too small to be secured properly.

Never run the drill while carrying it at your side.

Keep hands and drill cord away from the rotating bit.

Make sure there are no nails, staples or other foreign objects in the work piece.

To prevent accidental starting, always disconnect the plug from the power source before making any adjustments or changing accessories.

CAUTION

If the bit becomes bound in the work piece, release the trigger immediately and prepare for the tool to kickback toward you. Reverse the direction of rotation, then back out the bit by slowly squeezing the trigger.

Make sure all accessories are rated for the recommended speed of the drill. Brushes, grinding wheels and other accessories may fall apart if run at too high a speed, sending dangerous debris flying at the operator.

Never wear gloves when operating the drill. Use gloves only when changing hot bits and accessories to avoid burns.

Hammer bits and tools get hot during operation. Wear gloves when touching them.

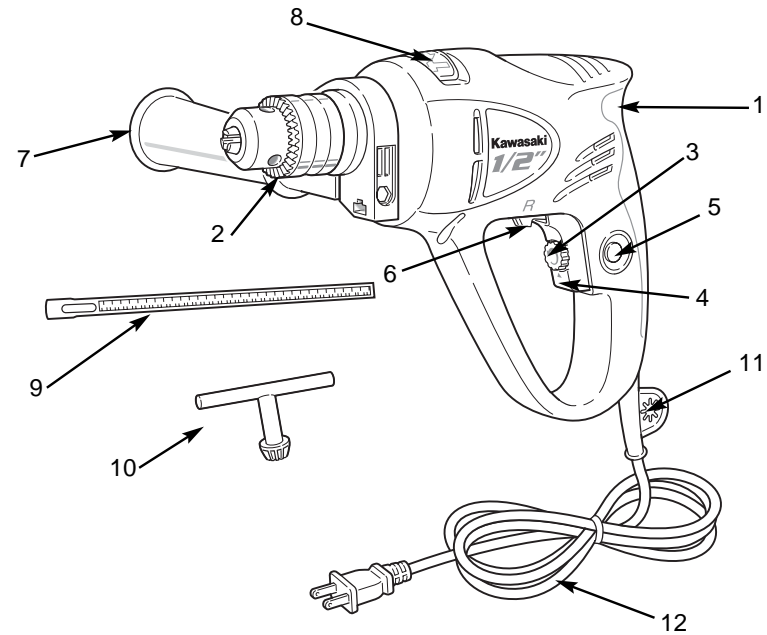
Do not use in damp or wet locations. Do not operate tool in an explosive atmosphere, such as in the presence of flammable liquids, gases or dust. Power tools create sparks, which may cause an explosion or fire.

SYMBOLS

IMPORTANT: Some of the following symbols may be used on your tool. Please study them and learn their meaning. Proper interpretation of these symbols will allow you to operate the tool better and safer.

SYMBOL	NAME	EXPLANATION
V	Volts	Voltage (Potential)
A	Amperes	Current
Hz	Hertz	Frequency (Cycles per Second)
W	Watt	Power
Kg	Kilograms	Weight
~	Alternating Current	Type of Current
— — —	Direct Current	Type of Current
~ — —	Alternating or Direct Current	Type of Current
⊕	Earthing Terminal	Grounding Terminal
□	Class II Construction	Denotes Double Insulation
min	Minutes	Time
s	Seconds	Time
φ	Diameter	Size of Drill Bits, Grinding Wheels, etc.
n_0	No load speed	No-load Rotational Speed
.../min	Revolutions per Minute	Revolutions, Surface Speed, Strokes, etc. per Minute
1,2,3, ...	Ring Selector Settings	Speed, Torque or Position Settings

FUNCTIONAL DESCRIPTION



CONTROLS AND COMPONENTS:

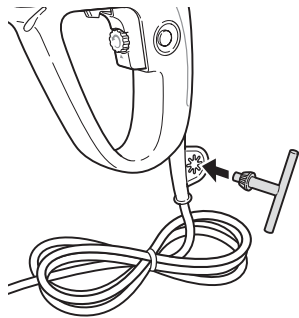
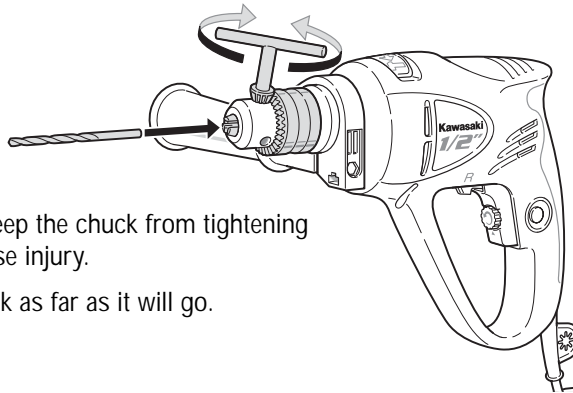
- | | |
|-------------------------------------|----------------------|
| 1. 1/2" Variable Speed Hammer-Drill | 10. Chuck Key |
| 2. 13mm (1/2") Chuck | 11. Chuck Key Holder |
| 3. Speed Control Adjusting Switch | 12. Power Cord |
| 4. On/Off Switch | |
| 5. Lock-On Switch | |
| 6. Forward/ Reversing Switch Lever | |
| 7. Adjustable Side Handle | |
| 8. Hammer / Drill Selector | |
| 9. Depth Gauge | |

ASSEMBLY

WARNING Disconnect the power plug from the AC power source before any assembly, adjustments, or adding/removing accessories. Following this preventative step reduces the risk of the drill coming on accidentally and the risk of damage to the workpiece and injury to the operator.

DRILL BIT INSERTION / REMOVAL

- Unplug the drill. Never change bits on a live drill.
- Make sure the bit is undamaged, sharp and free from wood or metal shavings. Foreign material on the bit may keep the chuck from tightening fully. A loose bit may cause injury.
- Push the bit into the chuck as far as it will go.

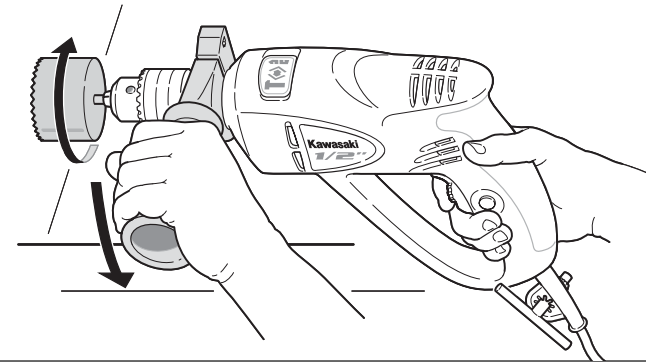


- Make sure the bit is in the center of the chuck. If the bit is off-center, it will not be held securely and may fly loose during use causing serious injury.
- Insert the chuck key into one of the three chuck holes. Rotate the chuck key clockwise to lock the bit in place.
- Remove the chuck key.
- Store the Chuck Key after each use in its holder located at the power cord stem.

WARNING Always run the drill for one minute before drilling to make sure the bit is properly seated. If the bit needs to be adjusted, unplug the drill before touching the bit.

OPERATING THE DRILL

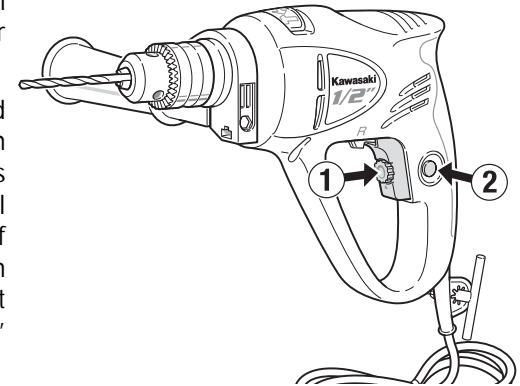
WARNING In certain situations, the bit may bind and the drill will kickback in the opposite direction. This sudden reaction could lead to loss of control and possible serious injury. Always be prepared for the possibility of kickback, especially when breaking through material to complete a hole.



OPERATING THE ON/OFF SWITCH

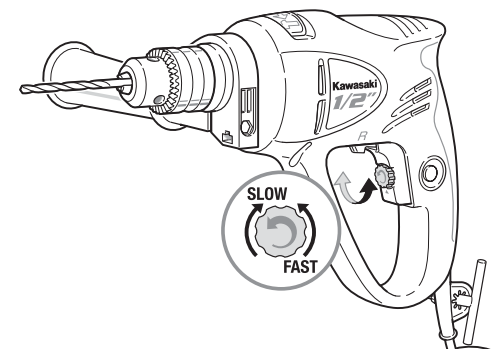
Squeeze the trigger switch to turn the tool "ON". Release the trigger switch to turn the tool "OFF".

When drilling for extended periods, the "Lock-On" switch may be used, but do not use this switch in situations where the drill is likely to bind or kickback. If kickback does occur, the sudden motion of the tool may make it difficult to release the "Lock-On" switch and turn the drill off.



SPEED CONTROL ADJUSTING SWITCH

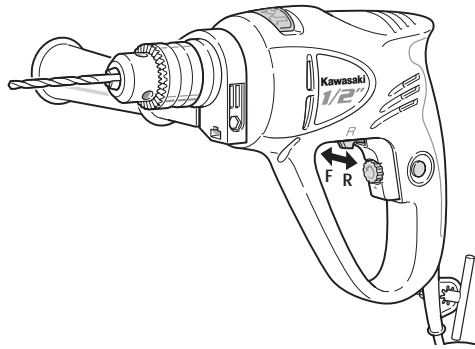
To increase the operating speed of the drill, turn the variable speed control clockwise. To decrease the speed, turn the variable speed control counterclockwise.



REVERSING SWITCH LEVER

The reversing switch lever reverses the rotation of the drill bit. It is located just above the trigger switch. ALWAYS turn the motor off and let the bit come to a complete stop before moving the switch.

Move the switch to the right for a forward rotation of the bit. Move the switch to the left to put the bit into reverse.

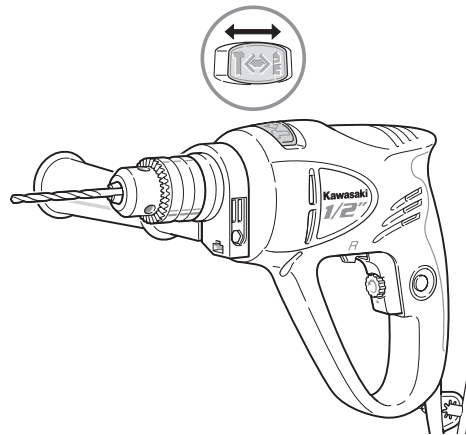


CAUTION

Do not change the direction of a moving bit. Make sure the bit comes to a complete standstill before moving switch. Changing direction while the bit is moving can cause damage to the drill.

HAMMER / DRILL SELECTOR

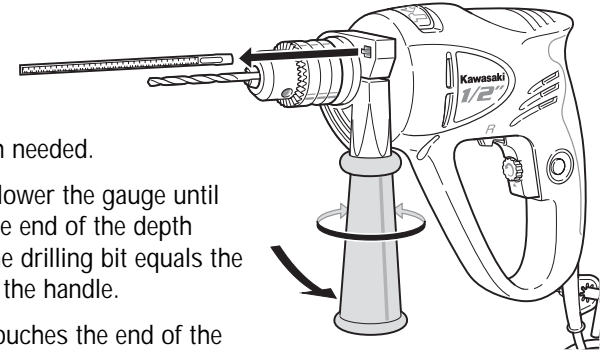
- To use the tool as a hammer, move the hammer/drill selector switch to the left.
- To use the tool as a drill, move the hammer/drill selector switch to the right.



USING THE DEPTH GAUGE

When drilling to a preset depth, use the adjustable depth gauge to mark the exact depth needed.

- Insert depth gauge into the hole in the side of the handle.
- Determine drilling depth needed.
- Loosen the handle and lower the gauge until the distance between the end of the depth gauge and the end of the drilling bit equals the required depth. Tighten the handle.
- Drill until the material touches the end of the depth gauge. The hole will be the desired depth.



DRILLING WOOD

- Always clamp the work piece to a steady base. Never hold in your hand or across your legs.
- Apply pressure in line with the bit. Applying pressure at an angle could cause the bit to bind or break.
- Thin materials that may splinter should be drilled with another piece of wood placed underneath.
- Twist bits can be used for wood drilling but will overheat if the flutes are not cleared of wood chips periodically.
- To prevent splintering when finishing holes, stop drilling just before the hole breaks through and complete the hole from the other side.

DRILLING MASONRY

- Always use carbide tip bits for drilling masonry.
- Use an even pressure, hard enough to keep the drill biting, but not so hard that the bit spins in the hole. Spinning the bit will dull it quickly. Bricks and similar soft materials will take less pressure than a hard material like concrete.

DRILLING METAL

- Use an even pressure, hard enough to keep the drill biting, but not so hard that the bit spins in the hole. Spinning the bit will dull it quickly. Soft metals like copper, cast iron, brass or aluminum will take less pressure than harder materials like steel.
- When drilling harder metals, use lubricating oil on the tip of the bit.

MAINTENANCE AND CLEANING

WARNING

Unplug the drill before performing maintenance or cleaning.

- Never immerse tool in liquid. Never let any liquid inside tool housing.
- Clean with a damp cloth and mild soap. Do not use solvents or harsh detergents.
- Check brushes periodically. Worn brushes should be replaced by qualified service personnel.
- Keep air vents clean and free from debris. Blocked air vents can lead to overheating.

ACCESSORIES

Use only accessories that are recommended by the manufacturer for your model. Accessories that may be suitable for one tool may become hazardous when used on another tool.

Always attach grounded (3-prong) extension cords to grounded (3-hole) outlets.


If you must use an extension cord, be sure that the gauge is large enough to carry the amount of current necessary for your power tool. If not, your tool may experience a loss of power, excessive voltage drop or overheating. The smaller the gauge number, the heavier the cord (see table below).

RECOMMENDED SIZES OF EXTENSION CORDS 120 VOLT AC 60 HZ TOOLS

TOOL CURRENT RATING	CONDUCTOR SIZE IN A.W.G				
	AMPERE	10FT.	25FT.	50FT.	100FT.
3-6		18	18	18	18
6-8		18	18	18	16
8-10		18	18	18	14
10-12		16	16	14	14
12-16		14	12	12	-
16-20		12	12	12	-

SPECIFICATIONS

SPECIFICATIONS

Voltage	120V  60 Hz
Rated Current	6.6 A
No-Load Speed	0-3000/min
Impact	48000/min
Chuck Capacity (max.)	ϕ 13mm (1/2")

OTHER CONSUMER DO-IT-YOURSELF (DIY) TOOLS

Alltrade offers a full range of Kawasaki™ tools that make DIY jobs easy. If you would like further information on the following products, please contact Alltrade Customer Service Department at 1-800-590-3723.

Cordless Drills/Screwdrivers

Impact Wrenches

Sanders

Jigsaws

Circular Saws

Angle Grinders

Reciprocating Saws

Routers

Rotary Tools

Corded and Cordless Multi-Purpose Tools

Wide Range of Accessories and more

3 YEAR LIMITED WARRANTY

Express and Exclusive Limited Warranty to Original Retail Buyer

Alltrade Tools LLC (hereinafter "Alltrade") expressly warrants to the original retail purchaser of the accompanying KAWASAKI™ power tool and no one else all parts of the product (except those parts referred to below which are specifically excluded from such warranty (see Exclusions)) to be free from defects in materials and workmanship for a period of three years from original date of purchase, except that such warranty with regard to the battery shall be for a period of two years from original date of purchase, unless the tool is used for commercial or rental purposes.

SPECIAL WARRANTY NOTE FOR COMMERCIAL OR RENTAL USE: The above warranty for this Kawasaki™ power tool, including the battery, shall be effective for only 90 days from the original date of purchase if this tool is used for any **COMMERCIAL OR RENTAL PURPOSE.**

The date of purchase shall be the date of shipment to the original purchaser, or the date the original purchaser took possession, custody or control of the product, whichever occurred first. This warranty shall be null and void if the product or any component thereof is modified or altered. This warranty does not apply to any other product and/or component thereof manufactured or distributed by Alltrade, and does not apply to products and/or components thereof designed, manufactured and/or assembled by others, for which Alltrade makes no warranties whatsoever. **THERE ARE NO WARRANTIES WHICH EXTEND BEYOND THE DESCRIPTION ON THE FACE HEREOF.**

Warranty Performance

By purchasing the product, purchaser expressly acknowledges and agrees that their sole and exclusive remedy under this warranty shall be strictly limited to the repair or replacement of any covered nonconforming items or parts thereof provided that any such nonconforming item and/or part is promptly returned to Alltrade's facility postage pre-paid and insured (address: ALLTRADE Warranty Claims & Repair, 1431 Via Plata, Long Beach, CA 90810, Attn: Customer Service #1-800-590-3723) within the applicable warranty period, with a written request by purchaser that Alltrade repair and/or replace the nonconforming item and/or part. We recommend that you keep the original product packaging in the event you need to ship the unit. We suggest the package be insured against loss or in transit damage. When sending your product include your name, address, phone number, dated proof of purchase (or copy), and a statement about the nature of problem. Warranty coverage is conditioned upon purchaser furnishing Alltrade with adequate written proof that they are the original purchaser and of the original purchase date. Parts returned, freight prepaid and insured, to Alltrade's facility (see above address) will be inspected and, at Alltrade's option, repaired and/or replaced free of charge if found to be defective and subject to warranty. Alltrade retains the sole discretion

to determine whether any item or part is nonconforming and, if so, whether the item and/or part will be repaired and/or replaced. If the unit is repaired, new or reconditioned replacement parts may be used. If Alltrade chooses to replace the product, it may replace it with a new or reconditioned one of the same or comparable design. The repaired or replaced unit will be warranted under the terms of the remainder of the warranty period. Typically, a defective product that is returned within the first 30 days after the purchase date will be replaced; for items returned after the first 30 days and within the warranty period, covered defective parts not subject to normal wear and tear or other exclusions will be repaired or replaced, at Alltrade's option. During the warranty period, Alltrade will be responsible for the return shipping charges. Alltrade's repair and/or replacement of any nonconforming item and/or part thereof shall constitute fulfillment of all obligations to the purchaser. Alltrade shall not be responsible or liable for any expense, including freight charges, or repairs made outside Alltrade's facility, unless expressly agreed to by Alltrade in writing. Under no circumstances shall Alltrade bear any responsibility for loss of the unit, loss of time or rental, inconvenience, commercial loss or consequential damages.

Exclusions

This warranty does not cover parts damaged due to normal wear, abnormal conditions, misapplication, misuse, abuse, accidents, operation at other than recommended pressures or temperatures, improper storage or freight damage. Parts damaged or worn by operation in dusty environments are not warranted. Failure to follow recommended operating and maintenance procedures also voids warranty.

This limited warranty does not apply to accessory items such as drill bits, screwdriving bits, circular saw blades, jigsaw blades, grinding wheels, sanding sheets and other related items.

DAMAGE TO THE PRODUCT RESULTING FROM TAMPERING, ACCIDENT, ABUSE, NEGLIGENCE, FAILURE TO FOLLOW INSTRUCTIONS, UNAUTHORIZED REPAIRS OR ALTERATIONS, DAMAGE WHILE IN TRANSIT TO OUR SERVICE FACILITY, USE OF UNAPPROVED OR IMPROPER ATTACHMENTS OR ACCESSORIES, COMMERCIAL AND RENTAL APPLICATIONS OR OTHER CAUSES UNRELATED TO PROBLEMS WITH MATERIAL OR WORKMANSHIP ARE NOT COVERED BY THIS WARRANTY.

Alltrade will not be liable for the following: labor charges, loss or damage resulting from improper operation, maintenance or repairs made by other persons; pre-delivery services such as assembly, oil or lubricants, and adjustment; maintenance services that are normally required to maintain the product.

The use of other than genuine Alltrade Repair Parts will void warranty.

Warranty Disclaimers

EXCLUSION AND DISCLAIMER OF ALL OTHER EXPRESS WARRANTIES, GUARANTIES AND/OR REPRESENTATIONS. EXCEPT FOR THE LIMITED WARRANTY PROVIDED ABOVE, ALL OTHER EXPRESS WARRANTIES, GUARANTIES AND/OR REPRESENTATIONS BY ALLTRADE AND/OR ITS REPRESENTATIVE(S) REGARDING THE DESIGN, MANUFACTURE, PURCHASE, USE AND/OR OPERATION OF THE PRODUCT OR ANY COMPONENT THEREOF SOLD HEREUNDER, REGARDLESS OF WHETHER ANY SUCH WARRANTY, GUARANTY AND/OR REPRESENTATION, WRITTEN OR ORAL, ARISES BY OPERATION OF LAW AND/OR EQUITY AND/OR BY ANY ACT OR OMISSION OF ALLTRADE AND/OR ITS REPRESENTATIVE(S), OR THE BUYER, ARE HEREBY EXPRESSLY EXCLUDED AND DISCLAIMED BY ALLTRADE AND/OR ITS REPRESENTATIVES. PURCHASER KNOWINGLY AND WILLINGLY WAIVES ANY AND ALL SUCH WARRANTIES AND RIGHTS, CLAIMS AND/OR CAUSES OF ACTION ARISING THEREFROM OR BASED THEREON. PURCHASER'S SOLE AND EXCLUSIVE REMEDY IS AS STATED ABOVE.

EXCLUSION AND DISCLAIMER OF ALL IMPLIED WARRANTIES, INCLUDING THE IMPLIED WARRANTIES OF MERCHANTABILITY AND FITNESS FOR A PARTICULAR PURPOSE. NO WARRANTY, ORAL OR WRITTEN, OTHER THAN THE ABOVE WARRANTY IS MADE WITH REGARD TO THIS PRODUCT. ALL EXPRESS AND/OR IMPLIED WARRANTIES, GUARANTIES AND/OR REPRESENTATIONS BY ALLTRADE AND/OR ITS REPRESENTATIVE(S) REGARDING THE DESIGN, MANUFACTURE, PURCHASE, USE AND/OR OPERATION OF THE PRODUCT OR ANY COMPONENT THEREOF SOLD HEREUNDER, REGARDLESS OF WHETHER ANY SUCH WARRANTY, GUARANTY AND/OR REPRESENTATION, WRITTEN OR ORAL, ARISES BY OPERATION OF LAW AND/OR EQUITY AND/OR BY ANY ACT OR OMISSION OF ALLTRADE AND/OR ITS REPRESENTATIVE(S), OR THE PURCHASER, INCLUDING BUT NOT LIMITED TO THE IMPLIED WARRANTY OF MERCHANTABILITY AND THE WARRANTY OF FITNESS FOR A PARTICULAR PURPOSE, ARE HEREBY EXPRESSLY EXCLUDED AND DISCLAIMED BY ALLTRADE AND/OR ITS REPRESENTATIVES. PURCHASER KNOWINGLY AND WILLINGLY WAIVES ANY AND ALL SUCH WARRANTIES AND RIGHTS, CLAIMS AND/OR CAUSES OF ACTION ARISING THEREFROM OR BASED THEREON. PURCHASER'S SOLE AND EXCLUSIVE REMEDY IS AS STATED ABOVE.

Limitation Of Liability

IN NO EVENT SHALL ALLTRADE AND/OR ITS REPRESENTATIVE(S) BE LIABLE FOR INDIRECT, INCIDENTAL, SPECIAL AND/OR CONSEQUENTIAL DAMAGES OF ANY KIND ARISING OUT OF OR RELATED TO, DIRECTLY OR INDIRECTLY, ANY BREACH OF ANY PROVISION OF ANY AGREEMENT BETWEEN ALLTRADE AND/OR ITS REPRESENTATIVE(S) AND PURCHASER, ANY WARRANTY HEREUNDER, AND/OR THE EXISTENCE, DESIGN, MANUFACTURE, PURCHASE, USE AND/OR OPERATION OF ANY ITEM(S) SOLD HEREUNDER EVEN IF ALLTRADE AND/OR ITS

REPRESENTATIVE(S) HAS BEEN ADVISED OF THE POSSIBILITY OF ANY SUCH DAMAGES. IN NO EVENT, WHETHER AS A RESULT OF A BREACH OF CONTRACT, WARRANTY, TORT (INCLUDING NEGLIGENCE) OR OTHERWISE, SHALL ALLTRADE'S AND/OR ITS REPRESENTATIVE(S)' LIABILITY EXCEED THE PRICE OF THE PRODUCT. ANY AND ALL LIABILITY CONNECTED WITH THE USE OF THIS PRODUCT SHALL TERMINATE UPON THE EXPIRATION OF THE WARRANTY PERIODS SPECIFIED ABOVE.

Limitations on Warranty Disclaimers

Some states do not allow limitations on how long an implied warranty lasts and some states do not allow the exclusion or limitation of the incidental or consequential damages, so part or all of the above limitations or exclusions may not apply to you. This warranty gives you specific legal rights, and you may also have other rights which vary from state to state.

If your product is not covered by this warranty, please call our Customer Service Department toll free at 1-800-590-3723 for general repair information and charges.