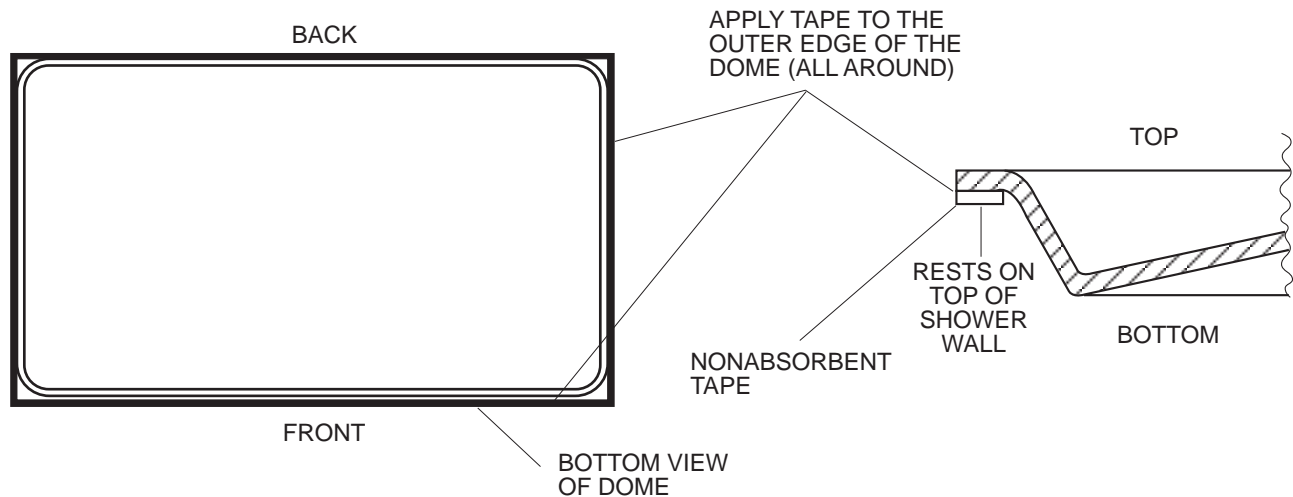




# DOME FOR SHOWER SURROUND SYSTEM INSTALLATION INSTRUCTIONS

**Important: Read complete instructions before beginning installation.**

The clear dome is a companion product to our Shower Surround System for use with the StreamPro™ steam generator and is available in many sizes to match the Shower Surround shapes.



## Installing the Sealing Strip

1. Before installing the enclosed nonabsorbent tape make sure that the surface of the dome is clean and dry. A mild liquid detergent and warm water will clean soiled surfaces. **Do not use abrasives, alcohol, ammonia or other solvents.**
2. Cut four strips of the sealing material from the roll provided. The first two should be cut to the length of the dome flanges; the backing material (release liner) should then be removed and the strips adhered to the flanges.
3. Repeat step two above with shorter strips cut to fit between the previous two strips on the short sides of the dome. The dome is then placed with the sealing surface onto the top ledge of the Shower Surround panels.

**PRODUCT SPECIFICATIONS ARE SUBJECT TO CHANGE WITHOUT NOTICE.  
USE INSTALLATION INSTRUCTIONS SUPPLIED WITH PRODUCT.**

Jacuzzi Whirlpool Bath has obtained applicable code (standards) listings generally available on a national basis for products of this type. It is the responsibility of the installer/owner to determine specific local code compliance prior to installation of this product. Jacuzzi Whirlpool Bath makes no representation or warranty regarding, and will not be responsible for any code compliance.

### Jacuzzi Whirlpool

P.O. Box 702168, Dallas, TX 75370-2168  
Customer Service: Call (800) 288-4002

© Copyright 1994 Jacuzzi Whirlpool Bath E540000 8/13/04



Printed on Recycled Paper

Printed in the U.S.A.