

User Manual



Yes, you can.

DEALER: This manual MUST be given to the user of the product.

USER: BEFORE using this product, read this manual and save for future reference.

Invacare[®] Matrix[®] Stabilite[™] Cushion Model ITSG



I General

I.1 Symbols

Signal words are used in this manual and apply to hazards or unsafe practices which could result in personal injury or property damage. See the information below for definitions of the signal words.



WARNING

Warning indicates a potentially hazardous situation which, if not avoided, could result in death or serious injury.

CAUTION

Caution indicates a potentially hazardous situation which, if not avoided, may result in property damage or minor injury or both.



Gives useful tips, recommendations and information for efficient, trouble-free use.

I.2 Overview

Important Information

The best way to avoid problems related to pressure sores is to understand their causes and your role in a skin management program.

Your therapist and physician should be consulted if you have questions regarding individual limitations and needs.

All cushions should be selected carefully. Working with your therapist and physician is the best way to assure that a cushion choice matches your individual needs.

As the needs of the individual become more complex, cushion evaluation becomes more important.

Matrix Stabilite Cushion

The Invacare Matrix Stabilite cushion is developed to provide pelvic stability and leg positioning for patients with postural asymmetry. The Invacare Matrix Stabilite Cushion comes fitted with a patent-pending Invacare ThinAir bladder, a unique comfort layer that assists in shear management.

Outer/Inner Covers

The outer cover is made from a water resistant fabric to protect the foam. The top is fabricated from a stretch fabric. The bottom is fabricated from a heavyweight, non-skid fabric.

A water resistant inner cover allows air circulation while providing additional protection for the foam.

Regular cleaning and inspection of the outer and inner covers is recommended. Refer to Care and Maintenance on page 7.

1.3 Weight Limitation and Model Numbers



Refer to the chart for the model number and weight limitation.

Configured model numbers are: ITSG

ITSG = Stabilite Cushion

Bold = Stock models, Grey = size not available

WIDTH	DEPTH								WEIGHT LIMIT
	15	16	17	18	19	20	21	22	
15	ITSG1515	ITSG1516	ITSG1517	ITSG1518	ITSG1519	ITSG1520			300 lb (136 kg)
16	ITSG1615	ITSG66	ITSG1617	ITSG68	ITSG1619	ITSG1620			
17	ITSG1715	ITSG1716	ITSG1717	ITSG1718	ITSG1719	ITSG1720			
18	ITSG1815	ITSG86	ITSG1817	ITSG88	ITSG1819	ITSG1820			
19	ITSG1915	ITSG1916	ITSG1917	ITSG1918	ITSG1919	ITSG1920			
20	ITSG2015	ITSG06	ITSG2017	ITSG08	ITSG2019	ITSG2020			
21		ITSG2116	ITSG2117	ITSG2118	ITSG2119	ITSG2120	ITSG2121	ITSG2122	500 lb (227 kg)
22		ITSG2216	ITSG2217	ITSG2218	ITSG2219	ITSG2220	ITSG2221	ITSG2222	
23		ITSG2316	ITSG2317	ITSG2318	ITSG2319	ITSG2320	ITSG2321	ITSG2322	
24		ITSG2416	ITSG2417	ITSG2418	ITSG2419	ITSG2420	ITSG2421	ITSG2422	

2 Safety



Check ALL parts for shipping damage. If shipping damage is noted, DO NOT use. Contact carrier/ dealer for further instruction.

2.1 Intended Use



WARNING

The Stabilite cushion IS NOT designed for use in the treatment of pressure sores.

The Stabilite cushion is designed to provide pelvic stability and leg positioning for patients with postural asymmetry. The Stabilite comes standard with a ThinAir™ bladder for managing shear under the pelvis.

2.2 General Warnings



WARNING

DO NOT USE THIS PRODUCT OR ANY AVAILABLE OPTIONAL EQUIPMENT WITHOUT FIRST COMPLETELY READING AND UNDERSTANDING THESE INSTRUCTIONS AND ANY ADDITIONAL INSTRUCTIONAL MATERIAL SUCH AS OWNER'S MANUALS, SERVICE MANUALS OR INSTRUCTION SHEETS SUPPLIED WITH THIS PRODUCT OR OPTIONAL EQUIPMENT. IF YOU ARE UNABLE TO UNDERSTAND THE WARNINGS, CAUTIONS OR INSTRUCTIONS, CONTACT A HEALTHCARE PROFESSIONAL, DEALER OR TECHNICAL PERSONNEL BEFORE ATTEMPTING TO USE THIS EQUIPMENT - OTHERWISE, INJURY OR DAMAGE MAY OCCUR.

ACCESSORIES WARNING

Invacare products are specifically designed and manufactured for use in conjunction with Invacare accessories. Accessories designed by other manufacturers have not been tested by Invacare and are not recommended for use with Invacare products.

INSTALLATION WARNING

After any adjustments, repair or service and before use, make sure that all attaching component parts are secure.

WARNING

Skin condition should be checked very frequently after the installation of any new cushion. Your therapist and physician should be consulted if you have any questions regarding weight relief, self-examination of the skin, or individual limitations and needs.

Make sure the hook and loop fastening straps are securely attached between the seating surface and cushion before using.

3 Usage

3.1 Attaching/Removing the Cushion To/From the Seating Surface



WARNING

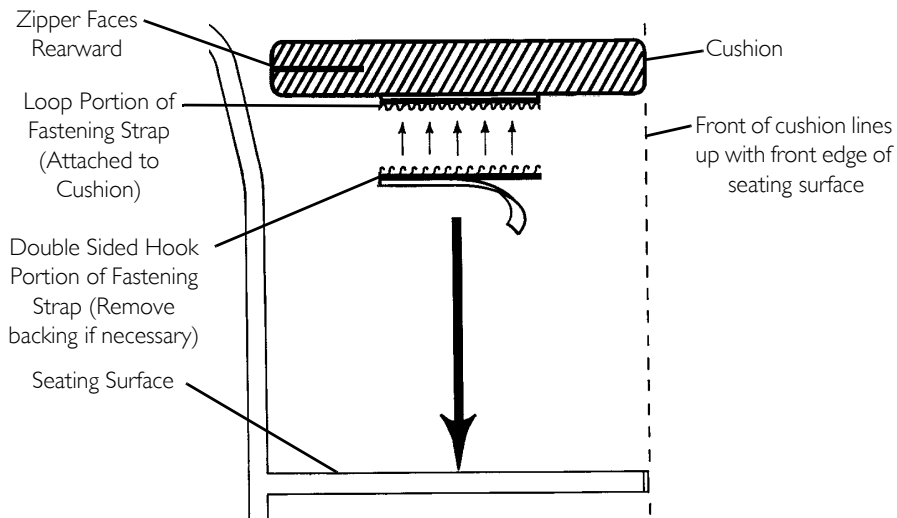
Make sure the hook and loop fasteners are securely attached to the seating surface and to the cushion BEFORE using. If the cushion is not secured to the seating surface, use caution when transferring in and out of the wheelchair.



To remove the cushion from the seating surface, reverse the following procedure.

The cushion attaches to the seating surface using the hook and loop fasteners on the bottom of the cover. The seating surface can be seat upholstery, drop base or seat pan.

The zipper on the cushion **MUST ALWAYS** face rearward.



Hook Attachment Strips/No Attachment Strips

1. Remove double sided hook from bottom of cushion.
2. Align front edge of cushion with front edge of seating surface.
3. Perform one of the following:
 - Hook Attachment Strips - Secure the cushion to the seating surface, making sure that the strips of loop on the cushion cover are securely attached to the strips of hook on the seating surface.
 - No Attachment Strips - Place the cushion on the seating surface.

Loop Attachment Strips

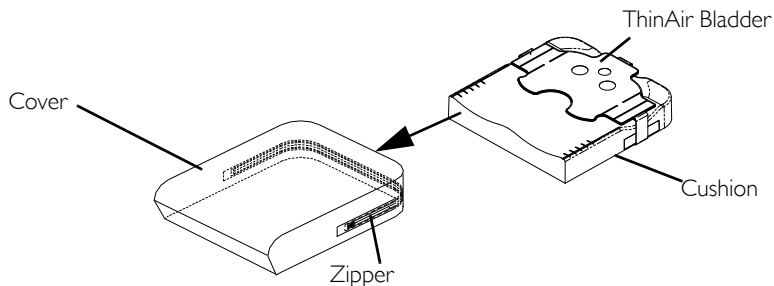
1. Verify the double sided hook strips are securely attached to the loop attachment strips on the bottom of the cushion.
2. Align front edge of cushion with front edge of seating surface.
3. Secure the cushion to the seating surface, making sure that the double sided hook is securely attached to the strips of loop on the cushion cover and the seating surface.

3.2 Removing/Installing the Cushion Covers



WARNING

The covers are designed to protect the foam from moisture and to provide fire retardancy. DO NOT use the cushion without either the inner or outer cover. If the covers are torn, they MUST be replaced IMMEDIATELY.



Removing the Cover





CAUTION

DO NOT remove both the outer cover and inner cover at the same time, otherwise damage to the inner cover material may occur.

1. Remove the cushion from the seating surface. Refer to [Attaching/Removing the Cushion To/From the Seating Surface](#) on page 3.
2. Unzip the outer cover.
3. Remove cushion, still inside the inner cover, from the outer cover.
4. Unzip the inner cover.
5. Remove the cushion from the inner cover.

Installing the Cover

1. If the inner cover has been removed, position the cushion with the ThinAir bladder toward the rear of the inner cover.
 -  The back surface of the cushion is marked "REAR".
2. Slide the cushion into the inner cover.
3. Zip the inner cover closed.
4. Position the cushion with inner cover and the ThinAir bladder in place toward the rear of the outer cover.
 -  When installed properly, the ThinAir bladder is at the top of the inner cover. The zipper is at the rear and the stretch fabric is at the top of the outer cover.
5. Slide the cushion into the outer cover.
6. Zip the outer cover closed.

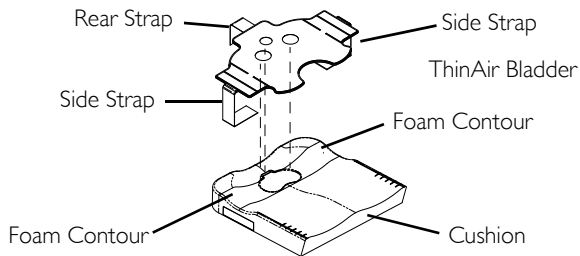


CAUTION

Use care not to snag the inner cover in the outer cover zipper, or damage to the inner cover will occur.

7. Reattach cushion onto seating surface. Refer to [Attaching/Removing the Cushion To/From the Seating Surface](#) on page 3.

3.3 Removing/Installing the ThinAir Bladder



Removing the ThinAir Bladder

1. Remove cushion from inner and outer covers. Refer to [Removing/Installing the Cushion Covers](#) on page 5.
2. Unfasten the the rear strap and the two side straps.
3. Lift the existing ThinAir bladder and remove it from the cushion.

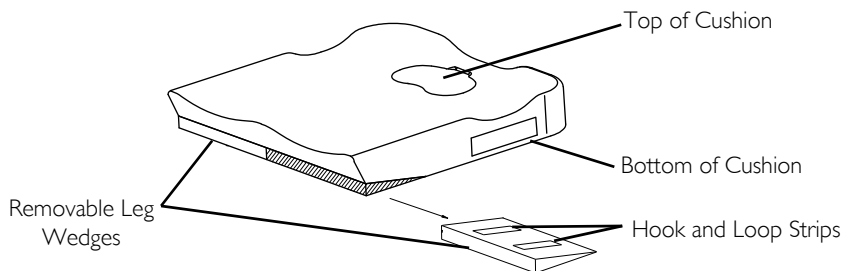
Installing the ThinAir Bladder

1. Center the ThinAir bladder on the foam so that the side straps are centered in the contours on each side of the foam.
2. Fasten the side straps and rear strap to the bottom of the foam.
i DO NOT over-tighten the straps. The ThinAir bladder **MUST** be free to move with the cushion.
3. Reinstall cushion into inner and outer covers. Refer to [Removing/Installing the Cushion Covers](#) on page 5.

3.4 Removing/Installing Removable Leg Wedges

- i** This procedure provides 1-inch of lower seat to floor height on one side of the cushion. This modification allows for easier foot propelling or the accommodation of some hip flexion limitations.

This modification can be done on either side of the cushion.



1. Remove the cushion from the inner and outer covers. Refer to [Removing/Installing the Cushion Covers](#) on page 5.
2. Remove the leg wedge from the side of the cushion that requires a lower seat to floor height. Save the leg wedge for future use.

- i** Leg wedges secure in place with hook and loop strips.

3. Install cushion into inner and outer covers. Refer to [Removing/Installing the Cushion Covers](#) on page 5.

4 Care and Maintenance



DO NOT use an abrasive detergent, cleaner or cloth during maintenance.

4.1 Cleaning

Regular cleaning of the outer cover, inner cover and cushion is recommended.

Outer Cover



CAUTION

DO NOT use fabric softeners or bleach.
DO NOT machine dry. Air dry only. DO NOT dry in sun.

Machine wash the outer cover in cold water on gentle cycle using a mild detergent.

Inner Cover

Hand clean the inner cover using a soft cloth, warm water and a mild soap solution. Rinse off and hang dry.

Foam

Wipe the foam with a damp cloth. DO NOT submerge or soak.

4.2 Inspection



WARNING

DO NOT continue to use this product if any of the upholstery materials, foams, and/or plastics are found to be deformed, breaking, worn, and/or compressed. Corrective maintenance can be performed at or arranged through your equipment supplier.

Regular inspection of the outer cover, inner cover and cushion is recommended.

5 After Use

Reuse



WARNING: Risk of Injury

Always have a dealer inspect the product for damage before transferring the product to a different user. If any damage is found, DO NOT use the product. Otherwise injury may occur.

6 Limited Warranty

PLEASE NOTE: THE WARRANTY BELOW HAS BEEN DRAFTED TO COMPLY WITH FEDERAL LAW APPLICABLE TO PRODUCTS MANUFACTURED AFTER JULY 4, 1975.

This warranty is extended only to the original purchaser/user of our products.

This warranty gives you specific legal rights and you may also have other legal rights which vary from state to state.

Invacare warrants this product to be free from defects in materials and workmanship for two years of use by original purchaser except for the cover, which is warranted for a period of 90 days of use by the original purchaser. If within such warranty period any such product shall be proven to be defective, such product shall be repaired or replaced, at Invacare's option, with refurbished or new parts. This warranty does not include any labor or shipping charges incurred in replacement part installation or repair of any such product. Product repairs shall not extend this warranty - coverage for repaired product shall end when this limited warranty terminates. Invacare's sole obligation and your exclusive remedy under this warranty shall be limited to such repair and/or replacement.

For warranty service, please contact the dealer from whom you purchased your Invacare product. In the event you do not receive satisfactory warranty service, please write directly to Invacare at the address on the back cover. Provide dealer's name, address, model number, the date of purchase, indicate nature of the defect and, if the product is serialized, indicate the serial number.

Invacare Corporation will issue a return authorization. The defective unit or parts must be returned for warranty inspection using the serial number, when applicable, as identification within thirty (30) days of return authorization date. DO NOT return products to our factory without our prior consent. C.O.D. shipments will be refused; please prepay shipping charges.

LIMITATIONS AND EXCLUSIONS: THE WARRANTY SHALL NOT APPLY TO PROBLEMS ARISING FROM NORMAL WEAR OR FAILURE TO ADHERE TO THE ENCLOSED INSTRUCTIONS. IN ADDITION, THE FOREGOING WARRANTY SHALL NOT APPLY TO SERIAL NUMBERED PRODUCTS IF THE SERIAL NUMBER HAS BEEN REMOVED OR DEFACED; PRODUCTS SUBJECTED TO NEGLIGENCE, ACCIDENT, IMPROPER OPERATION, MAINTENANCE OR STORAGE; OR PRODUCTS MODIFIED WITHOUT INVACARE'S EXPRESS WRITTEN CONSENT INCLUDING, BUT NOT LIMITED TO: MODIFICATION THROUGH THE USE OF UNAUTHORIZED PARTS OR ATTACHMENTS: PRODUCTS DAMAGED BY REASON OF REPAIRS MADE TO ANY COMPONENT WITHOUT THE SPECIFIC CONSENT OF INVACARE; PRODUCTS DAMAGED BY CIRCUMSTANCES BEYOND INVACARE'S CONTROL; PRODUCTS REPAIRED BY ANYONE OTHER THAN AN INVACARE DEALER, SUCH EVALUATION SHALL BE SOLELY DETERMINED BY INVACARE.

THE FOREGOING WARRANTY IS EXCLUSIVE AND IN LIEU OF ALL OTHER EXPRESS WARRANTIES, IF ANY, INCLUDING THE IMPLIED WARRANTIES OF MERCHANTABILITY AND FITNESS FOR A PARTICULAR PURPOSE. IT SHALL NOT EXTEND BEYOND THE DURATION OF THE EXPRESSED WARRANTY PROVIDED HEREIN AND THE REMEDY FOR VIOLATIONS OF ANY IMPLIED WARRANTY SHALL BE LIMITED TO REPAIR OR REPLACEMENT OF THE DEFECTIVE PRODUCT PURSUANT TO THE TERMS CONTAINED HEREIN. INVACARE SHALL NOT BE LIABLE FOR ANY CONSEQUENTIAL OR INCIDENTAL DAMAGES WHATSOEVER.

THIS WARRANTY SHALL BE EXTENDED TO COMPLY WITH STATE/PROVINCIAL LAWS AND REQUIREMENTS.

Invacare Corporation

www.invacare.com



Yes, you can.

USA

One Invacare Way
Elyria, Ohio USA
44036-2125
440-329-6000
800-333-6900

Canada

570 Matheson Blvd. E Unit 8
Mississauga Ontario
L4Z 4G4 Canada
800-668-5324

© 2011 Invacare Corporation. All rights reserved. Republication, duplication or modification in whole or in part is prohibited without prior written permission from Invacare. Trademarks are identified by [™] and [®]. All trademarks are owned by or licensed to Invacare Corporation or its subsidiaries unless otherwise noted.

Part No 1167615

Rev A - 02/11

