

NOTE:  
Please read all instructions  
carefully before using this  
product

Table of Contents  
Safety Notice  
Hardware Identifier  
Assembly Instruction  
Parts List  
Warranty  
Ordering Parts

Model  
MP-3105

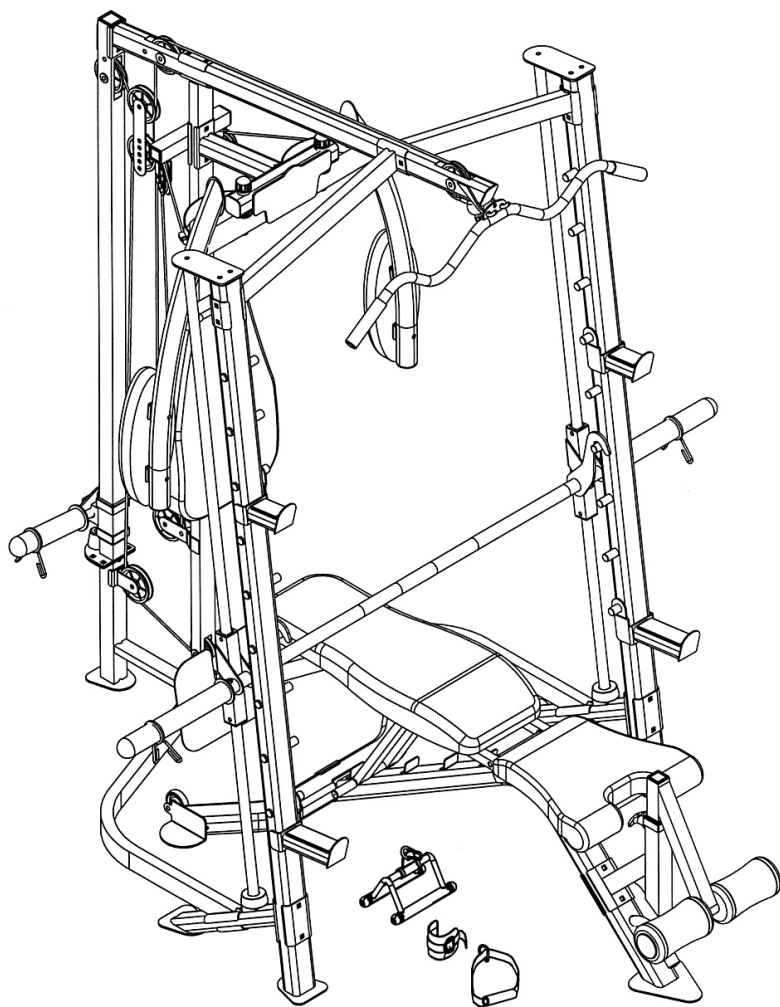
Retain This  
Manual for  
Reference

12-27-06

OWNER'S  
MANUAL

# IMPEX

## MARCY PLATINUM SMITH CAGE MP-3105



**IMPEX®**

14777 DON JULIAN RD., CITY OF INDUSTRY, CA 91746

Tel: (800) 999-8899 Fax: (626) 961-9966

[www.impex-fitness.com](http://www.impex-fitness.com)

[info@impex-fitness.com](mailto:info@impex-fitness.com)

---

## TABLE OF CONTENTS

BEFORE YOU BEGIN.....	1
IMPORTANT SAFETY NOTICES.....	2
HARDWARE PACK.....	4
ASSEMBLY INSTRUCTIONS.....	8
EXPLODED DIAGRAM.....	23
PARTS LIST.....	25
WARRANTY.....	26
ORDERING PARTS.....	26

---

## BEFORE YOU BEGIN

Thank you for selecting the MARCY PLATINUM Smith Cage MP-3105 by IMPEX®. For your safety and benefit, read this manual carefully before using the machine. As a manufacturer, we are committed to provide you complete customer satisfaction. If you have any questions, or find there are missing or damaged parts, we guarantee you complete satisfaction through direct assistance from our factory. To avoid unnecessary delays, *please call our TOLL-FREE customer service number.* Our Customer Service Agents will provide immediate assistance to you.

**Toll-Free Customer Service Number**

**1-800-999-8899**

**Mon. - Fri. 9 a.m. - 5 p.m. PST**

**[www.impex-fitness.com](http://www.impex-fitness.com)**

**[info@impex-fitness.com](mailto:info@impex-fitness.com)**

## **IMPORTANT SAFETY NOTICE**

### **PRECAUTIONS**

This exercise machine is built for optimum safety. However, certain precautions apply whenever you operate a piece of exercise equipment. Be sure to read the entire manual before you assemble or operate your machine. In particular, note the following safety precautions:

1. **Keep children and pets away from the machine at all times. DO NOT leave children unattended in the same room with the machine.**
2. Only one person at a time should use the machine.
3. If the user experiences dizziness, nausea, chest pain, or any other abnormal symptoms, STOP the workout at once. CONSULT A PHYSICIAN IMMEDIATELY.
4. Position the machine on a clear, leveled surface. DO NOT use the machine near water or outdoors.
5. Keep hands away from all moving parts.
6. Always wear appropriate workout clothing when exercising. DO NOT wear robes or other clothing that could become caught in the machine. Running or aerobic shoes are also required when using the machine.
7. Use the machine only for its intended use as described in this manual. DO NOT use attachments not recommended by the manufacturer.
8. Do not place any sharp object around the machine.
9. Disabled person should not use the machine without a qualified person or physician in attendance.
10. Before using the machine to exercise, always do stretching exercises to properly warm up.
11. Never operate the machine if the machine is not functioning properly.
12. A spotter is recommended during exercise.

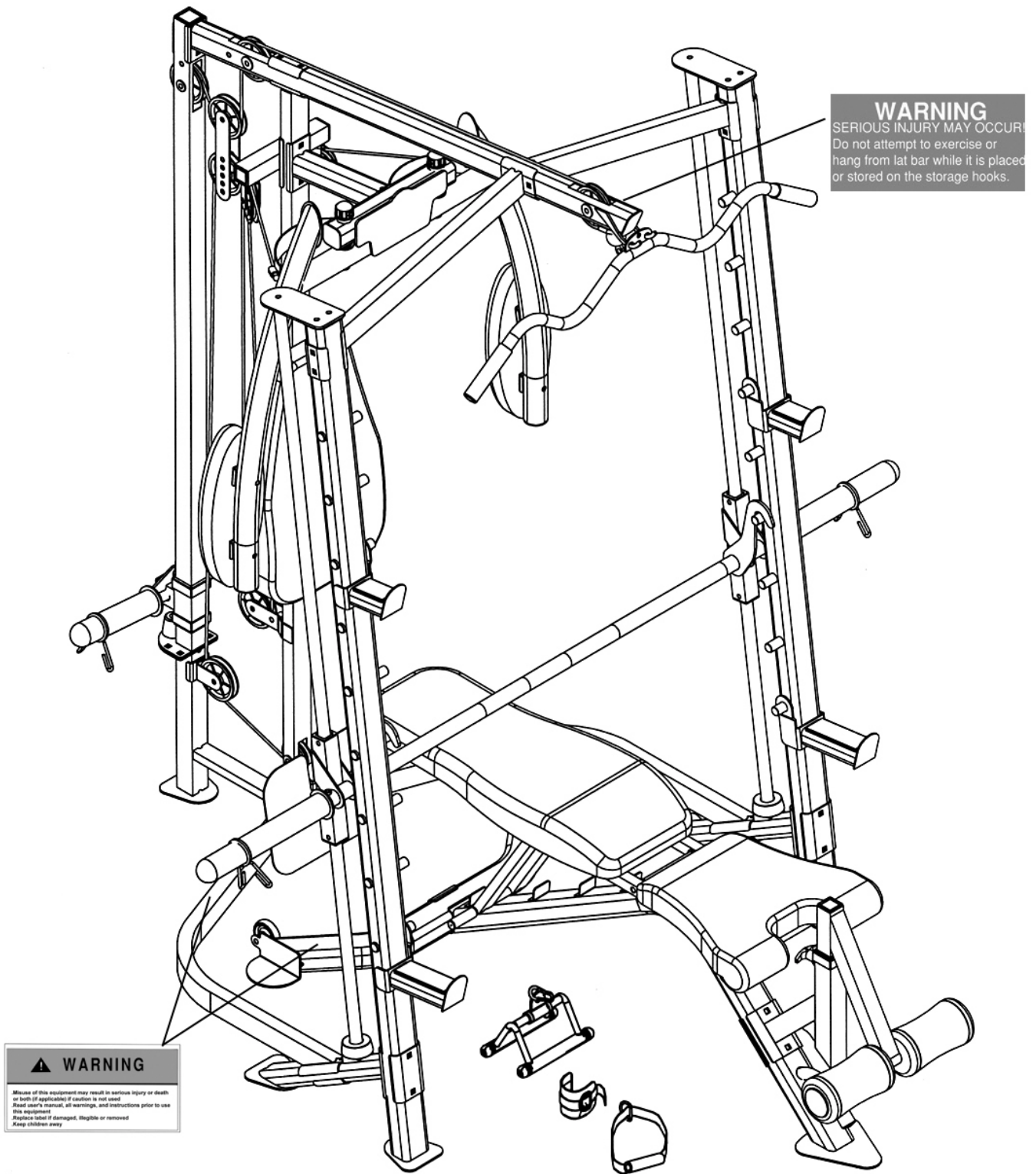
### **CARE AND MAINTENANCE**

1. Lubricate moving parts with WD-40 or light oil periodically.
2. Inspect and tighten all parts before using the machine.
3. The machine can be cleaned using a damp cloth and mild non-abrasive detergent. DO NOT use solvents.
4. Maximum user's weight: 300 lbs.
5. Maximum weight on Rack: 600 lbs.
6. Maximum weight on Smith Bar: 300 lbs.
7. Maximum weight on Weight Holder: 200 lbs.
8. Maximum weight on Leg Developer: 100 lbs.

**WARNING: BEFORE BEGINNING ANY EXERCISE PROGRAM, CONSULT YOUR PHYSICIAN. THIS IS ESPECIALLY IMPORTANT FOR INDIVIDUALS OVER THE AGE OF 35 OR PERSONS WITH PRE-EXISTING HEALTH PROBLEMS. READ ALL INSTRUCTIONS BEFORE USING ANY FITNESS EQUIPMENT. IMPEX ASSUMES NO RESPONSIBILITY FOR PERSONAL INJURY OR PROPERTY DAMAGE SUSTAINED BY OR THROUGH THE USE OF THIS PRODUCT.**

**SAVE THESE INSTRUCTIONS.**

# WARNING LABEL REPLACEMENT

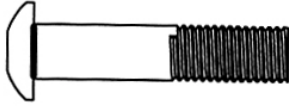


The warning labels shown here have been placed on the Cross Brace, Rear Stabilizer, and Upper Frame. If the labels are missing or illegible, please call customer service at 1-800-888-8899 for replacements. Apply the labels in location shown.

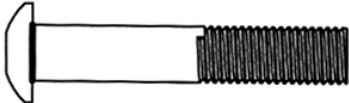
# HARDEWARE PACK



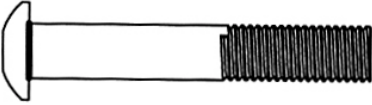
#72 M10 x 1" Allen Bolt (Qty 10)



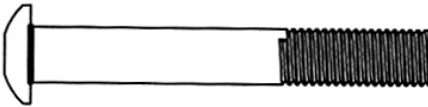
#73 M10 x 1 3/4" Allen Bolt (Qty 7)



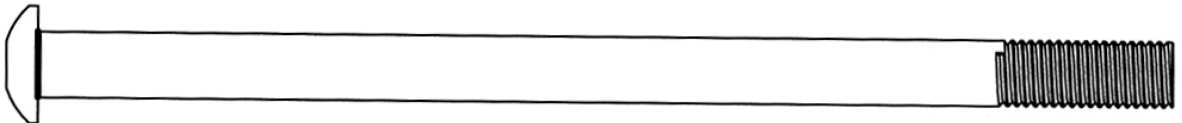
#74 M10 x 2 1/8" Allen Bolt (Qty 2)



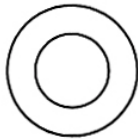
#75 M10 x 2 3/8" Allen Bolt (Qty 6)



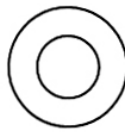
#76 M10 x 2 3/4" Allen Bolt (Qty 1)



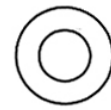
#113 M12 x 8 1/2" Allen Bolt (Qty 2)



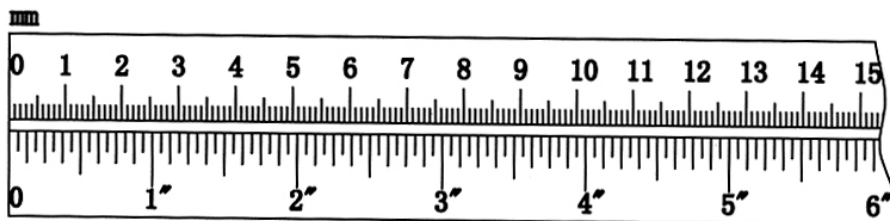
#111 Ø1" Washer  
(Qty 4)



#87 Ø3/4" Washer  
(Qty 62)



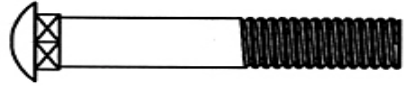
#86 Ø5/8" Washer  
(Qty 14)



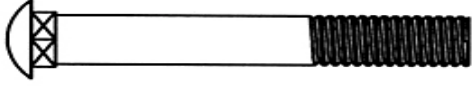
# HARDEWARE PACK



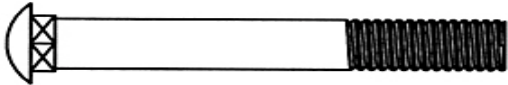
#79 M10 x 3/4" Carriage Bolt (Qty 4)



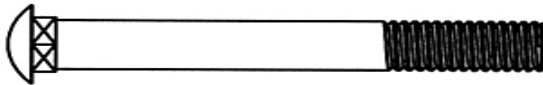
#80 M10 x 2" Carriage Bolt (Qty 2)



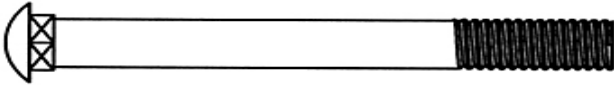
#81 M10 x 2 3/8" Carriage Bolt (Qty 4)



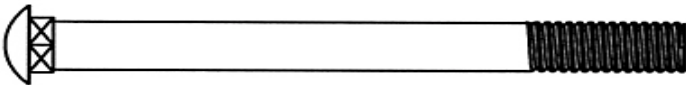
#82 M10 x 2 1/2" Carriage Bolt (Qty 1)



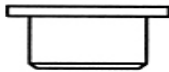
#83 M10 x 2 3/4" Carriage Bolt (Qty 8)



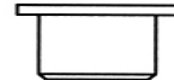
#84 M10 x 3 1/8" Carriage Bolt (Qty 2)



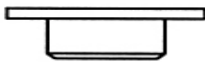
#85 M10 x 3 1/2" Carriage Bolt (Qty 2)



#40 Ø1" x 1/2" Pulley Bushing (Qty 2)



#41 Ø1" x 5/8" Pulley Bushing (Qty 2)



#42 Ø1 1/8" x 3/8" Pulley Bushing (Qty 4)



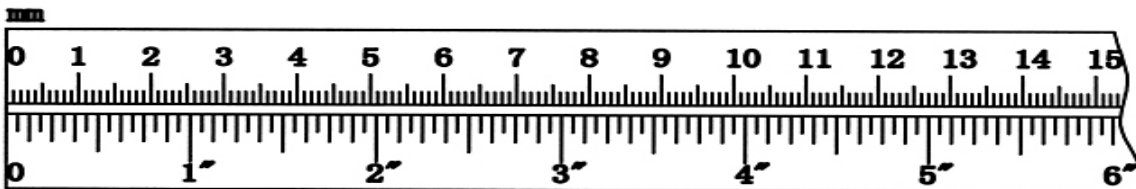
#88 M6 Aircraft Nut (Qty 2)



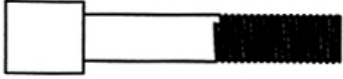
#89 M10 Aircraft Nut (Qty 39)



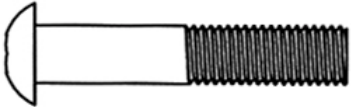
#112 M12 Aircraft Nut (Qty 2)



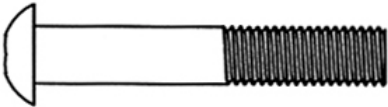
# HARDEWARE PACK



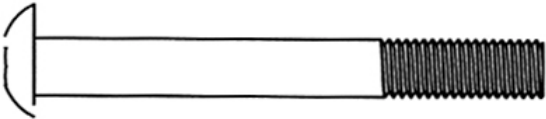
#69 M6 x 1 1/4" Allen Bolt (Qty 2)



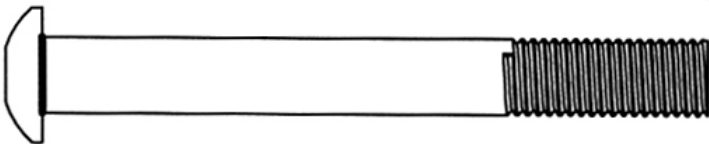
#98 M8 x 1 5/8" Allen Bolt (Qty 8)



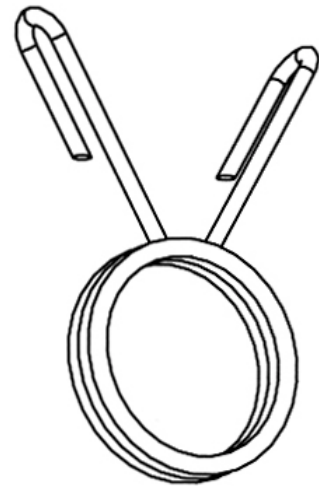
#70 M8 x 1 3/4" Allen Bolt (Qty 2)



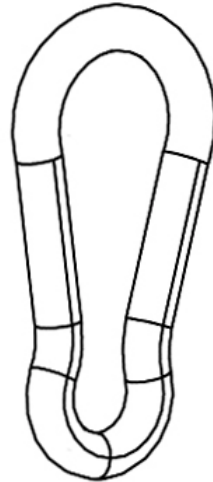
#71 M8 x 2 1/2" Allen Bolt (Qty 4)



#78 M10 x 3 3/8" Allen Bolt (Qty 2)

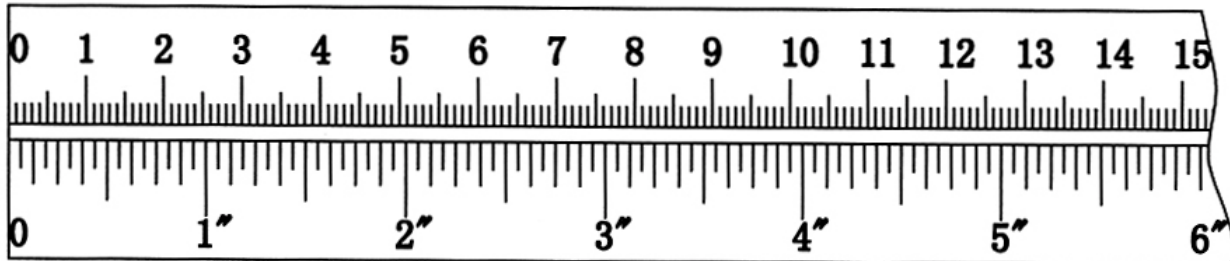


#49 Spring Clip (Qty 4)

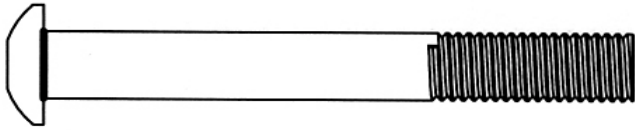


#48 Hook (Qty 4)

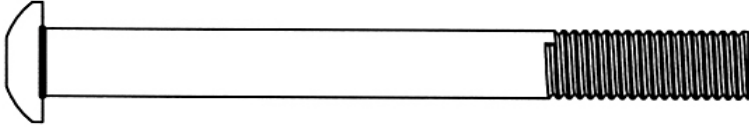
mm



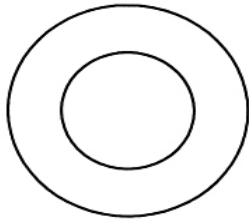
# HARDEWARE PACK



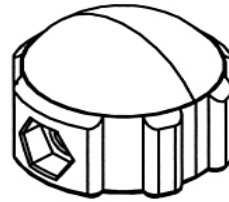
#77 M10 x 3" Allen Bolt (Qty 1)



#114 M10 x 3 1/2" Allen Bolt (Qty 2)



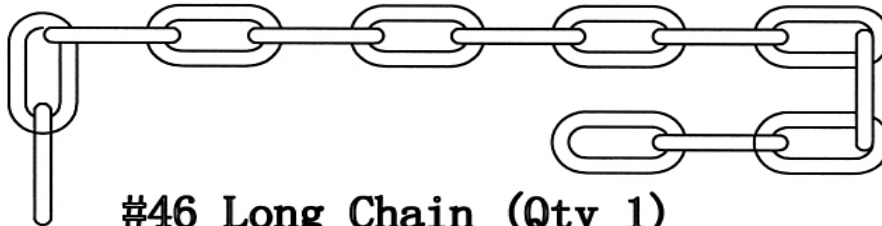
#53 Ø1 1/2" Washer  
(Qty 2)



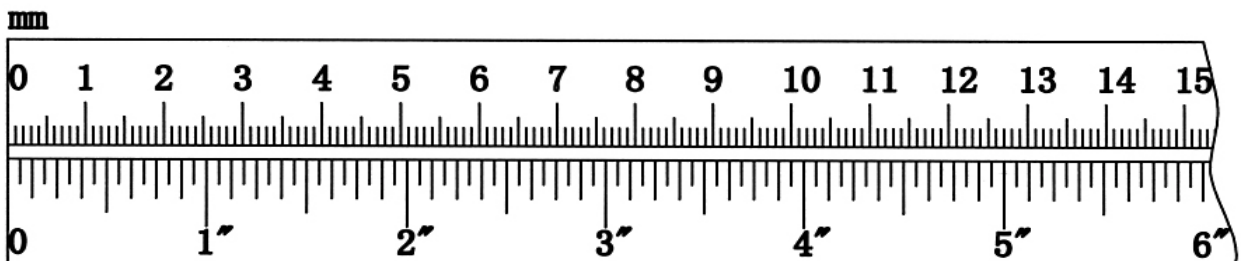
#54 Lock Ring  
(Qty 2)



#47 Short Chain (Qty 1)



#46 Long Chain (Qty 1)





## **ASSEMBLY INSTRUCTION**

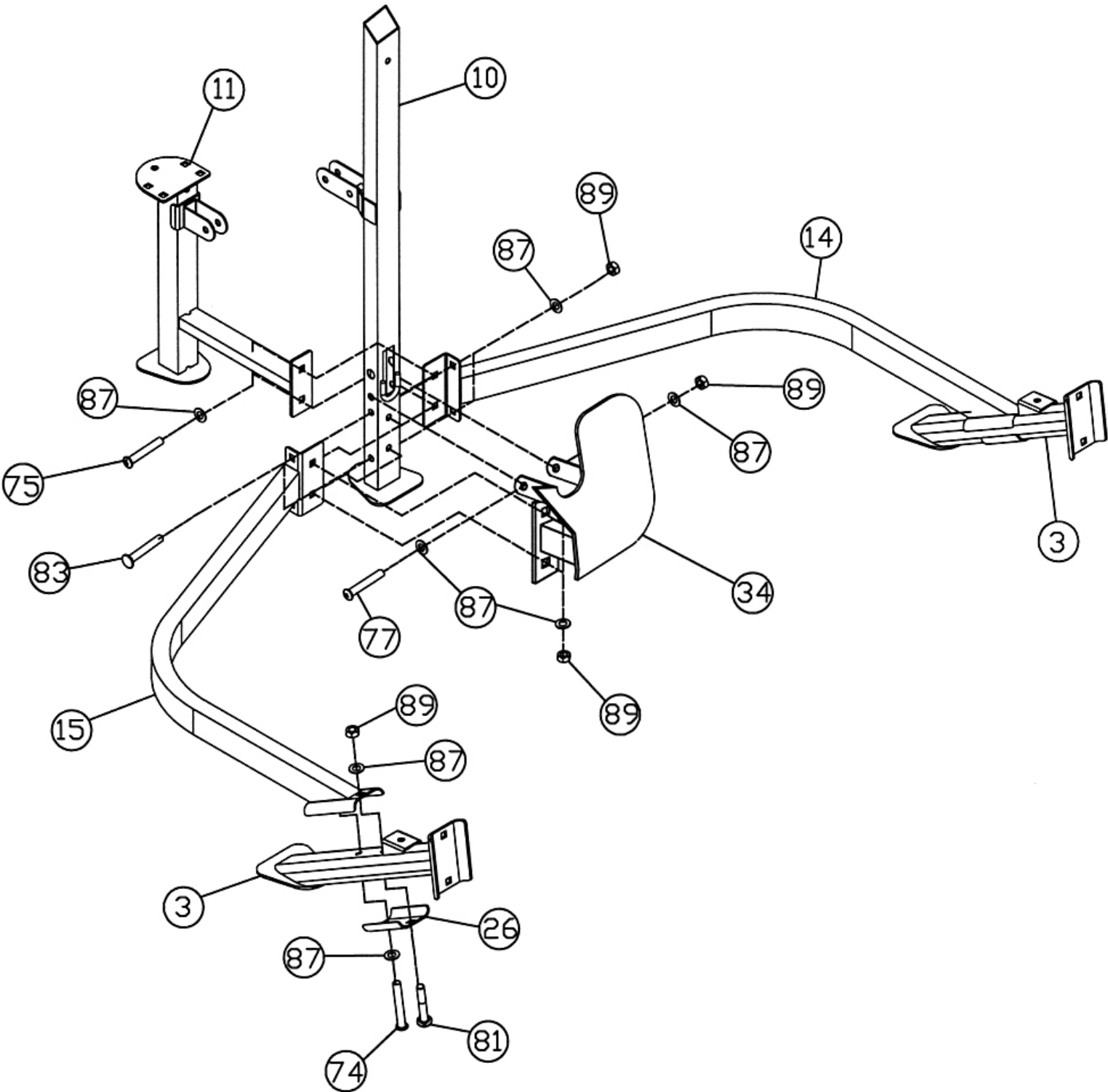
**Tools Required Assembling the Machine: Two Adjustable Wrenches and Allen Wrenches.**

**NOTE: It is strongly recommended two or more people assembling this machine to avoid possible injury.**

### **STEP 1 (See Diagram 1)**

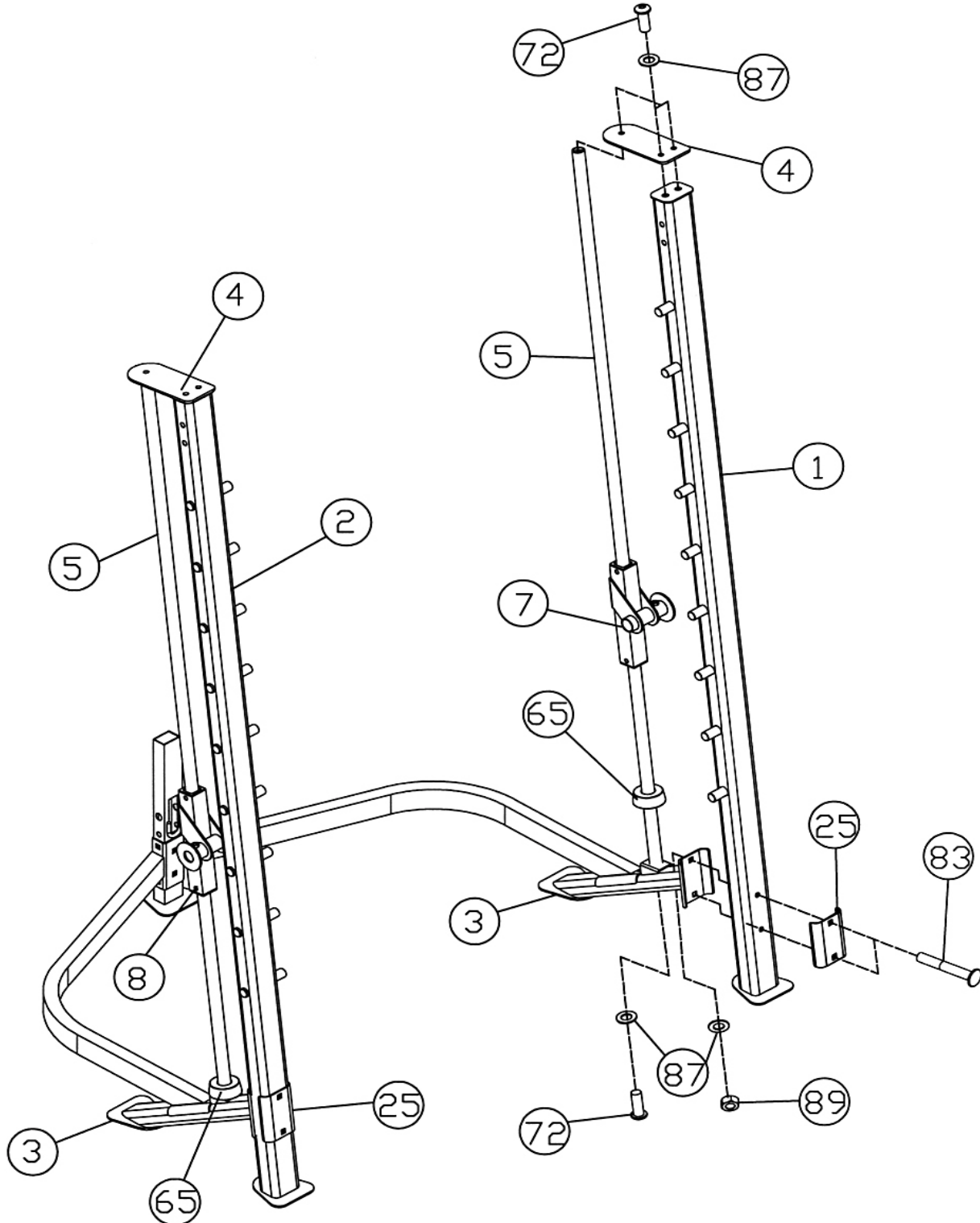
- A.) NOTE: Do not tighten the Nuts and Bolts until instructed to do so.
- B.) Attach one Diagonal Support (#3) to the Right Cross Brace (#15). Secure it with one 3  $\frac{3}{4}$ " x 2  $\frac{3}{8}$ " Bent Bracket (#26), M10 x 2  $\frac{3}{8}$ " Carriage Bolt (#81),  $\varnothing$   $\frac{3}{4}$ " Washer (#87), and M10 Aircraft Nut (#89) to the front hole. Secure the back hole with one M10 x 2  $\frac{1}{8}$ " Allen Bolt (#74) and  $\varnothing$   $\frac{3}{4}$ " Washer (#87). Repeat the same procedure to install the other Diagonal Support to the Left Cross Brace (#14).
- C.) Attach the Left & Right Cross Brace (#14 & #15) to the Rear Vertical Beam (#10). Secure them together with two M10 x 2  $\frac{3}{4}$ " Carriage Bolts (#83),  $\varnothing$   $\frac{3}{4}$ " Washers (#87), and M10 Aircraft Nuts (#89).
- D.) Attach the Foot Plate (#34) to the front of Rear Vertical Beam (#10). Attach the Weight Glide Post Base (#11) to the back of Rear Vertical Beam. Align the holes and secure them together with two M10 x 2  $\frac{3}{8}$ " Allen Bolts (#75), four  $\varnothing$   $\frac{3}{4}$ " Washers (#87), and two M10 Aircraft Nuts (#89).
- E.) Secure the Foot Plate (#34) to the Rear Vertical Beam (#10) with one M10 x 3" Allen Bolt (#77), two  $\varnothing$   $\frac{3}{4}$ " Washers (#87), and one M10 Aircraft Nut (#89).

DIAGRAM 1



**STEP 2 (See Diagram 2)**

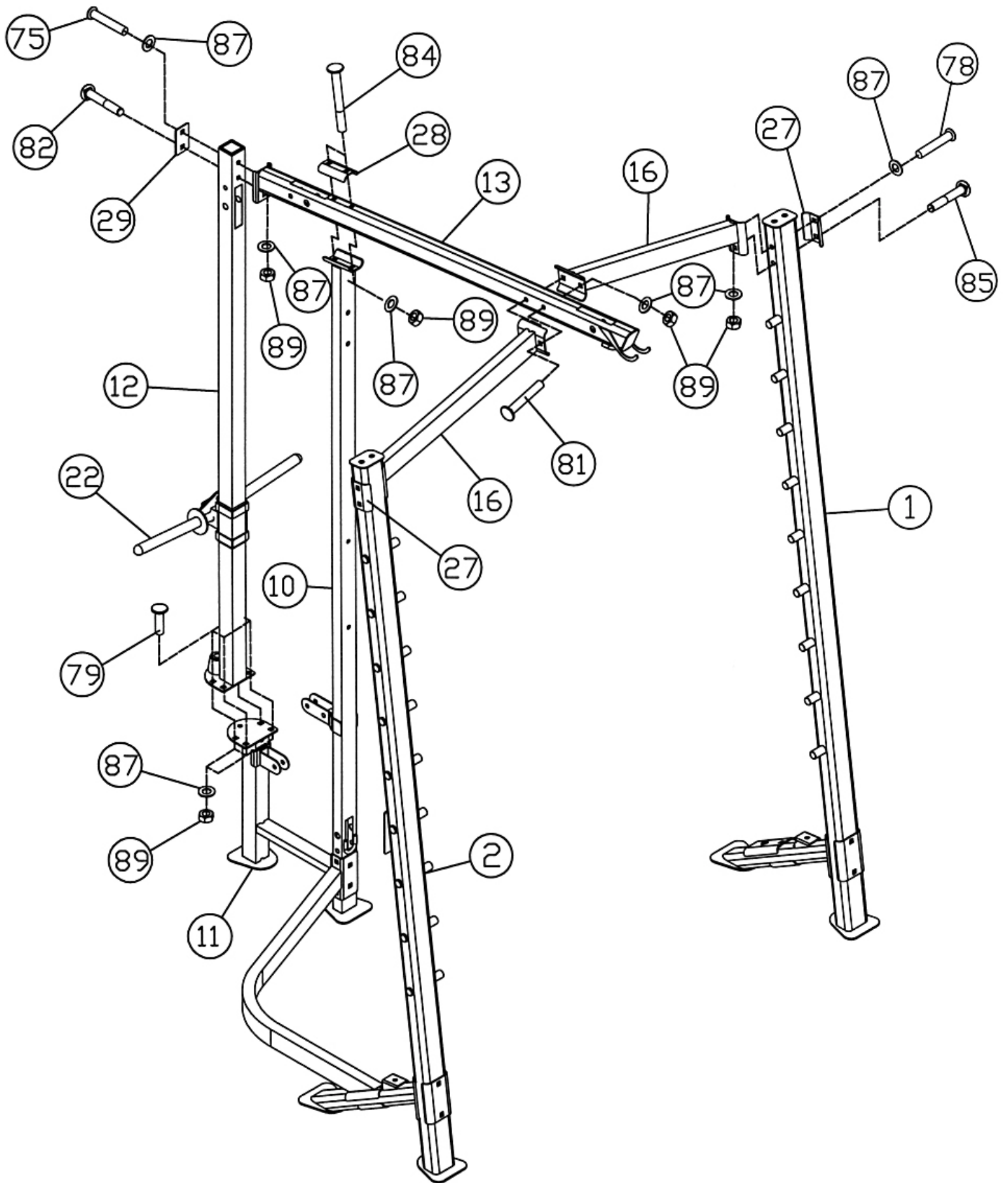
- A.) Attach the Left Vertical Beam (#1) to the left Diagonal Support (#3). Secure it with two M10 x 2 3/4" Carriage Bolts (#83), one 4 3/8" x 2 3/4" Bent Bracket (#25), two Ø 3/4" Washers (#87), and two M10 Aircraft Nuts (#89).
- B.) Attach one Guide Rod (#5) onto the left Diagonal Support. Secure it with one M10 x 1" Allen Bolt (#72) and Ø 3/4" Washer (#87) from the bottom.
- C.) Slide a Ø 2 1/2" x 1" Rubber Bumper (#65) and the Left Safety Stop Frame (#7) onto the Guide Rod from the top.
- D.) Attach a Guide Rod Bracket (#4) onto the Guide Rod (#5) and the Left Vertical Beam (#1). Secure it with three M10 x 1" Allen Bolts (#72) and Ø 3/4" Washers (#87).
- E.) Repeat Procedure A to D above to install the other side.



### STEP 3 (See Diagram 3)

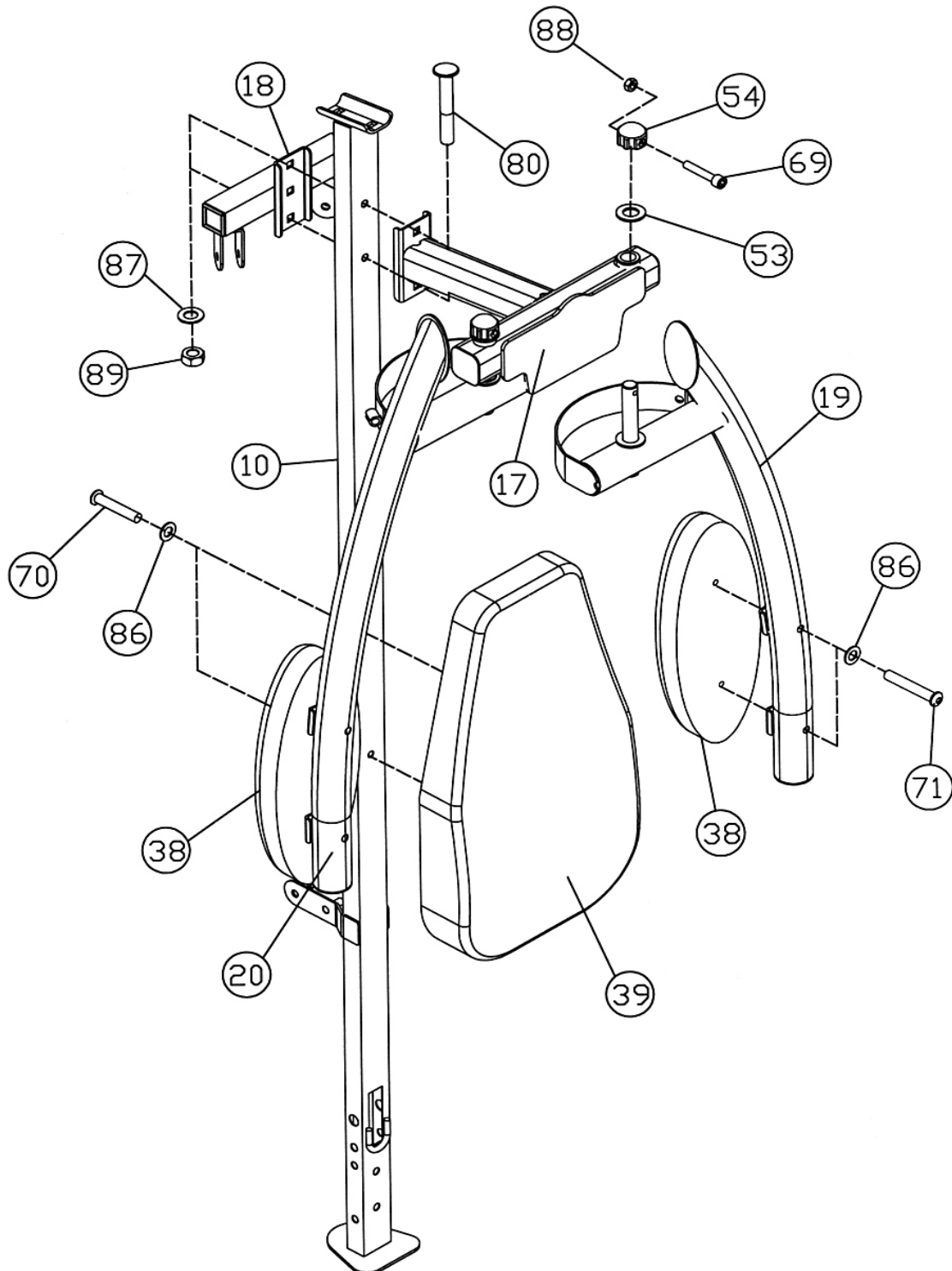
- A.) Place the Weight Glide Post (#12) onto the Weight Glide Post Base (#11). Secure it with four M10 x  $\frac{3}{4}$ " Carriage Bolts (#79),  $\varnothing \frac{3}{4}$ " Washers (#87) and M10 Aircraft Nuts (#89).
- B.) Slide the Sliding Weight Post (#22) onto the Weight Glide Post.
- C.) Attach the Upper Frame (#13) onto the Rear Vertical Beam (#10). Secure it with two M10 x 3  $\frac{1}{8}$ " Carriage Bolts (#84), one 3  $\frac{1}{2}$ " x 1  $\frac{5}{8}$ " Bent Bracket (#28), two  $\varnothing \frac{3}{4}$ " Washers (#87), and two M10 Aircraft Nuts (#89).
- D.) Attach the rear of Upper Frame (#13) to the Weight Glide Post (#12) and secure it with one 2  $\frac{3}{4}$ " x 1  $\frac{3}{4}$ " Bracket (#29), M10 x 2  $\frac{3}{8}$ " Allen Bolt (#75) and  $\varnothing \frac{3}{4}$ " Washer (#87) to the upper hole. Secure the lower hole with one M10 x 2  $\frac{1}{2}$ " Carriage Bolt (#82),  $\varnothing \frac{3}{4}$ " Washer (#87), and M10 Aircraft Nut (#89).
- E.) Attach one Upper Frame Support (#16) to the Left Vertical Beam (#1). Secure it with one 2  $\frac{3}{4}$ " x 2" Bent Bracket (#27), M10 x 3  $\frac{3}{8}$ " Allen Bolt (#78) and  $\varnothing \frac{3}{4}$ " Washer (#87) to the upper hole. Secure the lower hole with one M10 x 3  $\frac{1}{2}$ " Carriage Bolt (#85),  $\varnothing \frac{3}{4}$ " Washer (#87), and M10 Aircraft Nut (#89). Repeat the same step to install the other Upper Frame Support (#16) to the Right Vertical Beam (#2).
- F.) Attach the two Upper Frame Supports (#16) to the Upper Frame (#13) from each side. Secure them together with two M10 x 2  $\frac{3}{8}$ " Carriage Bolts (#81),  $\varnothing \frac{3}{4}$ " Washers (#87), and M10 Aircraft Nuts (#89).
- G.) Securely tighten all Nuts and Bolts previously installed.

DIAGRAM 3

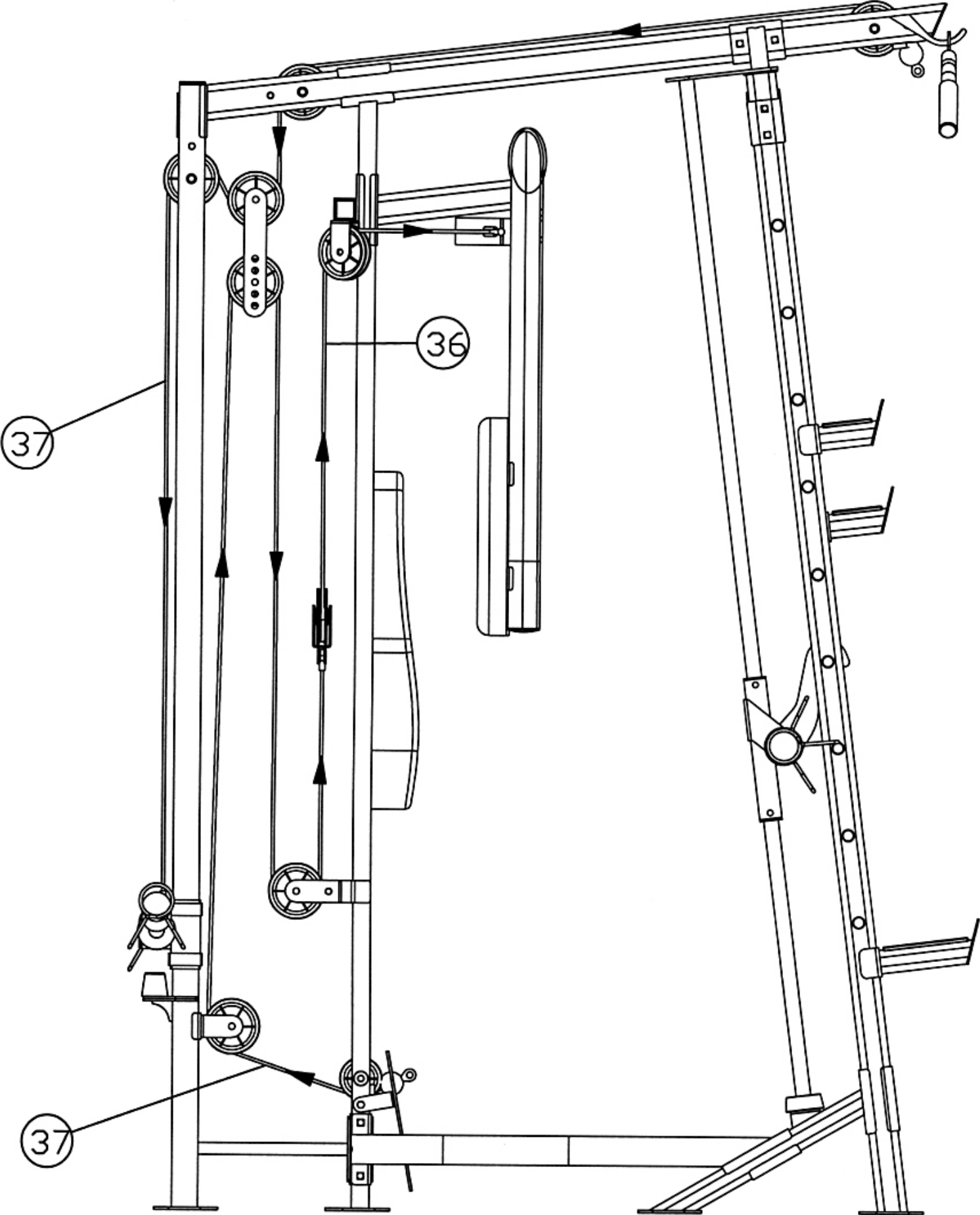


#### STEP 4 (See Diagram 4)

- A.) Attach the Butterfly Base (#17) to the front of Rear Vertical Beam (#10). Attach the Butterfly Pulley Bracket (#18) to the back of Rear Vertical Beam. Align the holes and secure them with two M10 x 2" Carriage Bolts (#80),  $\text{\O} \frac{3}{4}$ " Washers (#87), and M10 Aircraft Nuts (#89).
- B.) Insert the Axle on the Left Butterfly (#19) into the Butterfly Base from the bottom. Secure it with one Lock Ring (#54),  $\text{\O} 1 \frac{1}{2}$ " Washer (#53), M6 x 1  $\frac{1}{4}$ " Allen Bolt (#69), and M6 Aircraft Nut (#88).
- C.) Attach a Butterfly Arm Pad (#38) to the Left Butterfly (#19). Secure it with two M8 x 2  $\frac{1}{2}$ " Allen Bolts (#71) and  $\text{\O} \frac{5}{8}$ " Washers (#86).
- D.) Repeat Procedure B and C above to install the Right Butterfly (#20).
- E.) Attach the Backrest Board (#39) to the Rear Vertical Beam (#10). Secure it with two M8 x 1  $\frac{3}{4}$ " Allen Bolts (#70) and  $\text{\O} \frac{5}{8}$ " Washers (#86).



# CABLE LOOP DIAGRAM

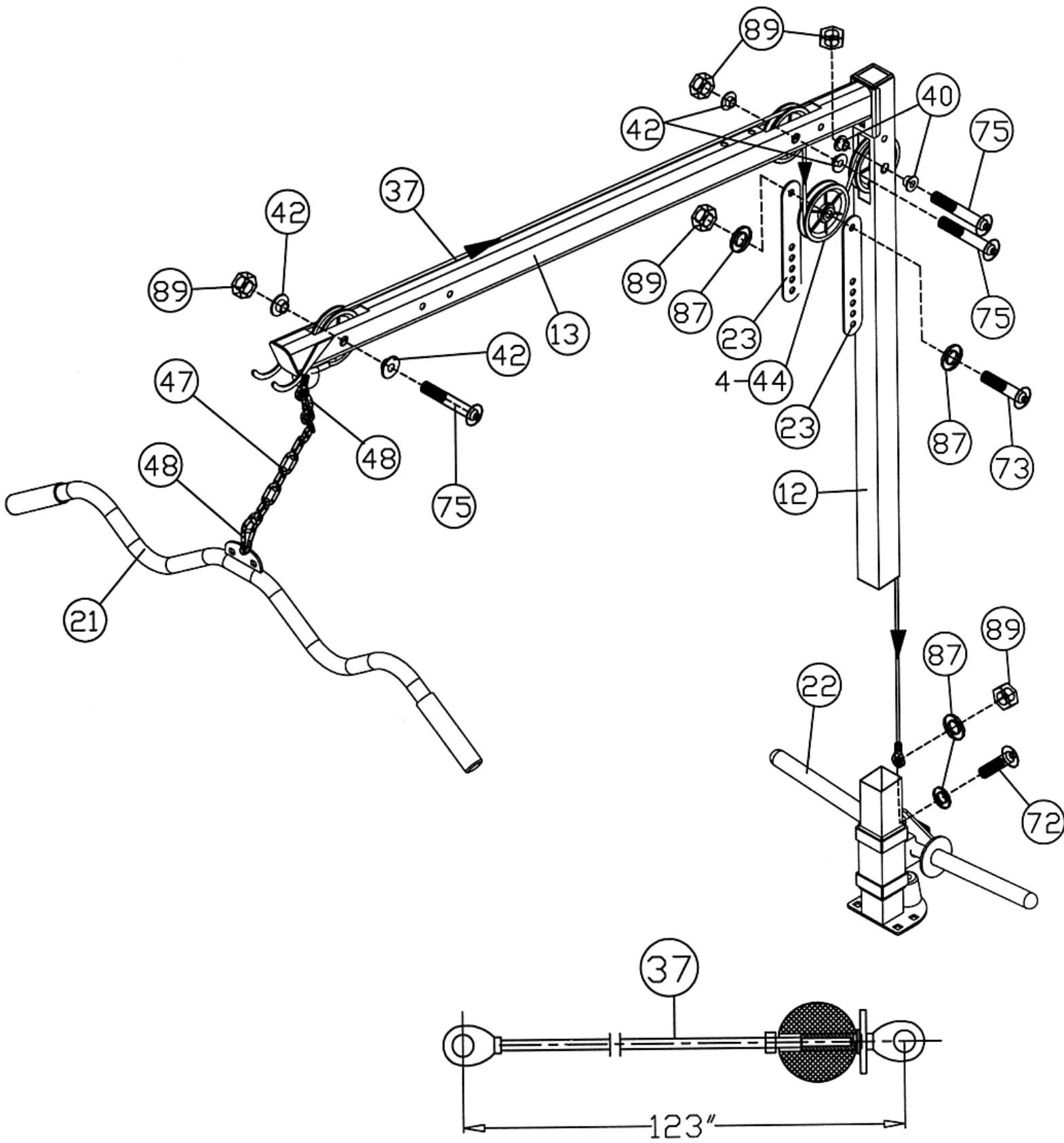


## **STEP 5 (See Diagram 5 & Cable Loop Diagram)**

- A.) Attach a 123" Cable (#37) to the front opening on the Upper Frame (#13). Attach a Pulley (#44) to the opening. Secure it with one M10 x 2 3/8" Allen Bolt (#75), two Ø 1 1/8" x 3/8" Pulley Bushings (#42), and one M10 Aircraft Nut (#89). Make sure the ball stopper on the Cable is underneath the Upper Frame.
- B.) Draw the Cable over the Pulley along the Upper Frame to the opening on the rear of Upper Frame. Attach a Pulley to the opening. Secure it with one M10 x 2 3/8" Allen Bolt (#75), two Ø 1 1/8" x 3/8" Pulley Bushings (#42), and one M10 Aircraft Nut (#89).
- C.) Draw the Cable around the Pulley then downward. Install a Pulley to the top holes on the two Double Floating Pulley Brackets (#23). Secure the Pulley with one M10 x 1 3/4" Allen Bolt (#73), two Ø 3/4" Washers (#87), and one M10 Aircraft Nut (#89). Let the Brackets hanging for now.
- D.) Draw the Cable around the Pulley then upward to the opening on the top of Weight Glide Post (#12). Attach a Pulley to the opening. Secure it with one M10 x 2 3/8" Allen Bolt (#75), two Ø 1" x 1/2" Pulley Bushings (#40), and one M10 Aircraft Nut (#89).
- E.) Draw the Cable around the Pulley then downward to the Sliding Weight Post (#22). Secure the Cable to the Sliding Weight Post with one M10 x 1" Allen Bolt (#72), two Ø 3/4" Washers (#87), and one M10 Aircraft Nut (#89).
- F.) Connect the Lat Bar (#21) to the Cable with a Short Chain (#47) using two Hooks (#48).

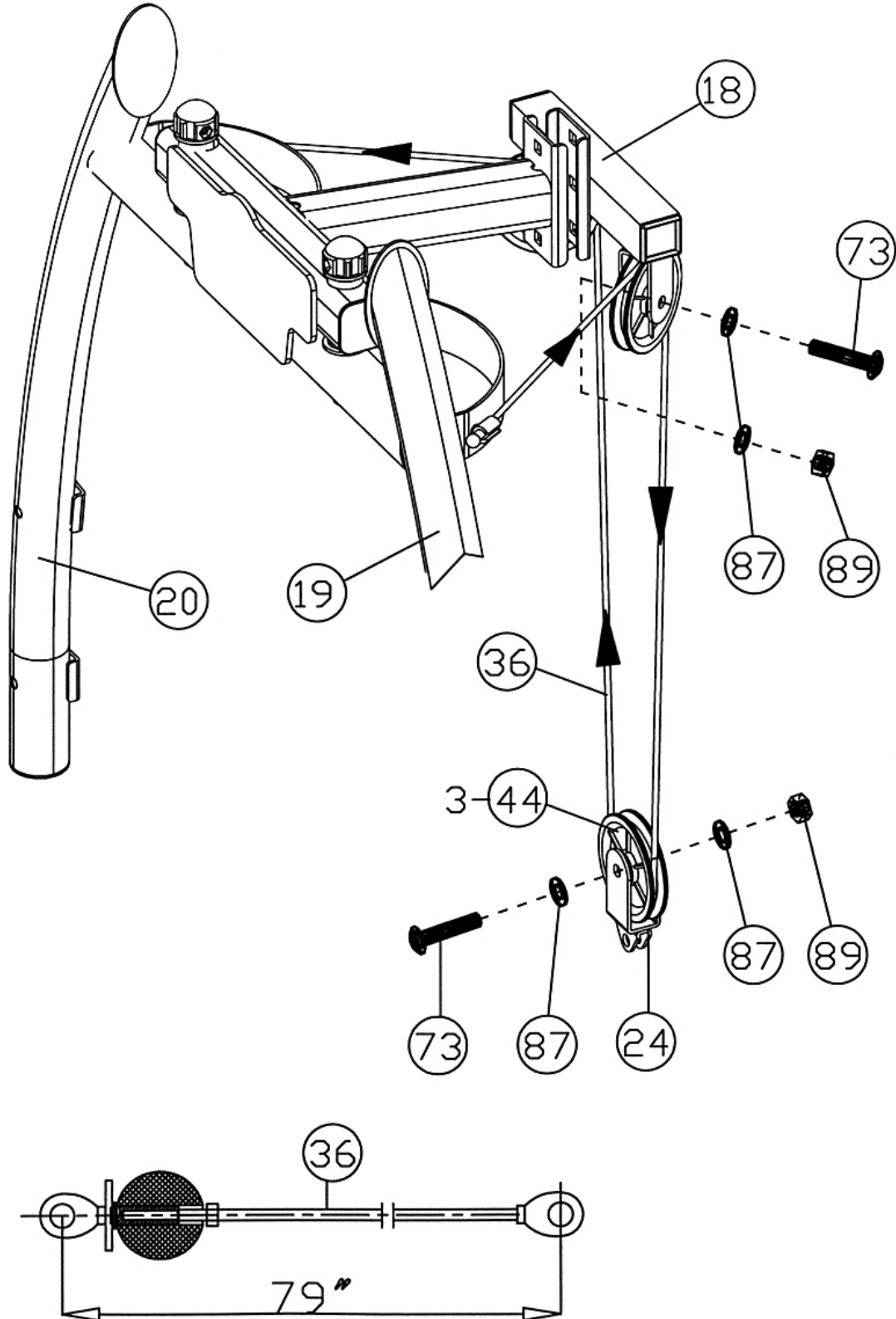


DIAGRAM 5



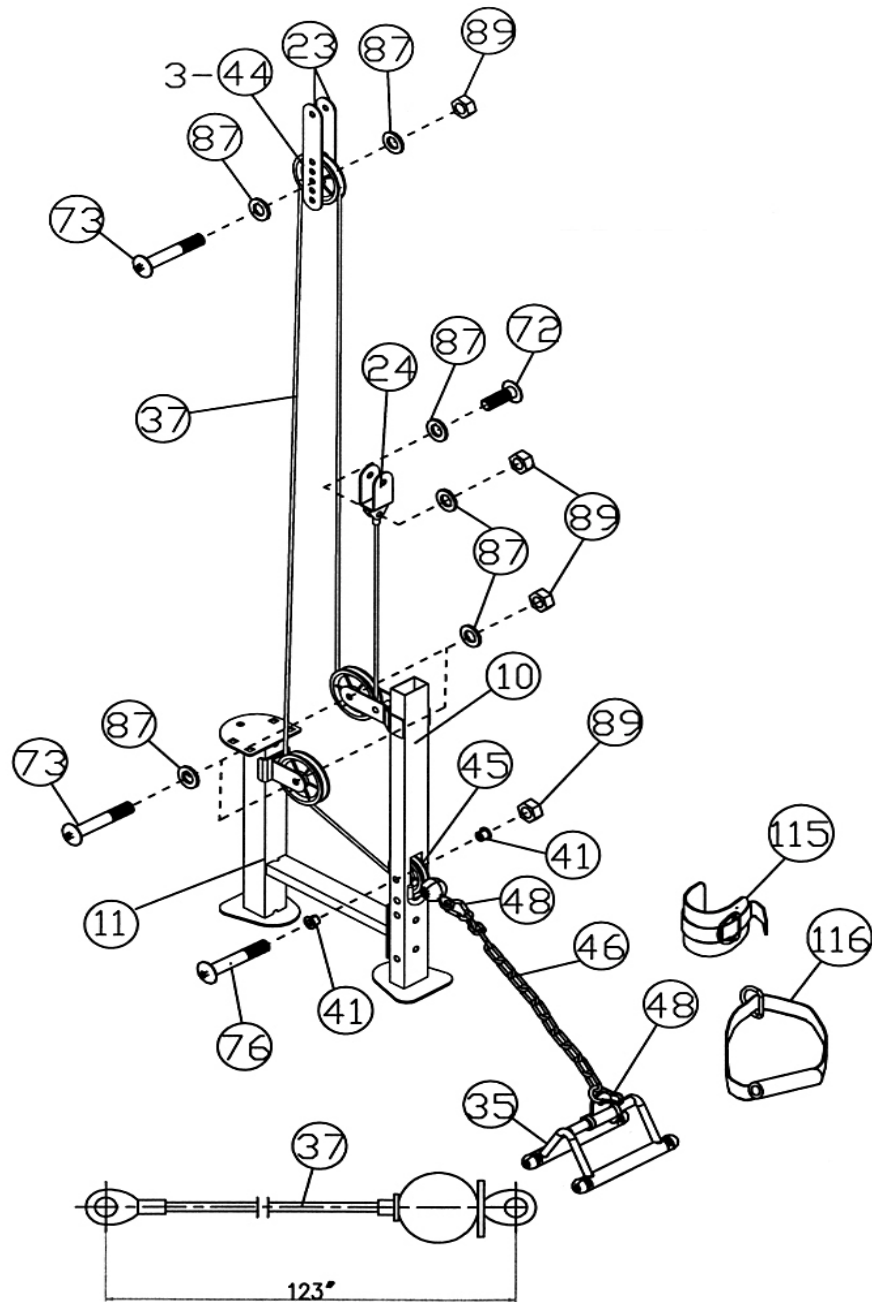
**STEP 6 (See Diagram 6 & Cable Loop Diagram)**

- A.) Attach one end of the 79" Butterfly Cable (#36) to the clip on the Left Butterfly (#19). Draw the Cable to the left Butterfly Pulley Bracket (#18).
- B.) Attach a Pulley (#44) to the Bracket. Secure it with one M10 x 1 3/4" Allen Bolt (#73), two Ø 3/4" Washers (#87), and one M10 Aircraft Nut (#89).
- C.) Draw the Cable around the Pulley then downward. Attach the Cable to a Single Floating Pulley Bracket (#24). Install a Pulley to the Bracket. Let the Bracket hanging for now.
- D.) Draw the Cable around the Pulley then upward to the right Butterfly Pulley Bracket. Install another Pulley. Draw the Cable around the Pulley then clip to the Right Butterfly (#20).



### STEP 7 (See Diagram 7 & Cable Loop Diagram)

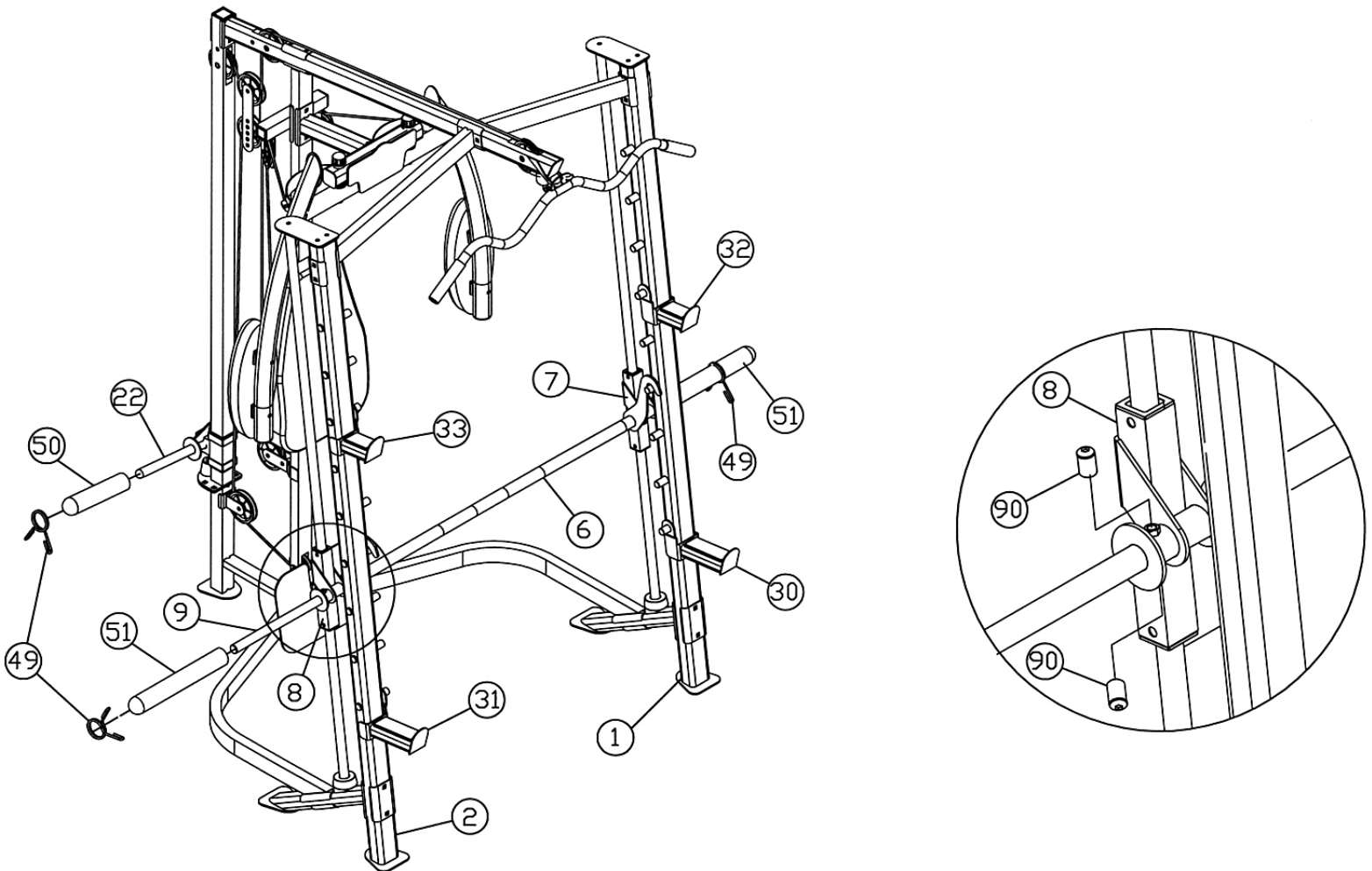
- A.) Attach one 123" Cable (#37) to the lower opening on the Rear Vertical Beam (#10). Attach a Small Pulley (#45) to the opening. Secure it with a M10 x 2 3/4" Allen Bolt (#76), two Ø 1" x 5/8" Pulley Bushings (#41), and one M10 Aircraft Nut (#89).
- B.) Draw the Cable underneath the Pulley to the open bracket on the Weight Glide Post Base (#11). Attach a Pulley to the bracket. Secure it with one M10 x 1 3/4" Allen Bolt (#73), two Ø 3/4" Washers (#87), and one M10 Aircraft Nut (#89).
- C.) Draw the Cable around the Pulley then upward to the Double Floating Pulley Bracket (#23) previously installed in Step-5. Install a Pulley.
- D.) Draw the Cable around the Pulley then downward to the open bracket on the back of Rear Vertical Beam (#10). Install a Pulley then draw the Cable upward to the Single Floating Pulley Bracket (#24) installed in Step-6. Secure the end of the Cable to the bracket with one M10 x 1" Allen Bolt (#72), two Ø 3/4" Washers (#87), and one M10 Aircraft Nut (#89).
- E.) Connect the V Bar (#35) to the Cable with a Long Chain (#46) using two Hooks (#48).
- F.) Check the tension of the Cables. If the Cables are too loose, adjust the tension by moving up the Pulley on the Double Floating Pulley Bracket (#23). If the Tension is too tight, then move down the Pulley.



## STEP 8 (See Diagram 8)

- A.) Note: Help of another person is strongly recommended for this step. Place the Weight Lifting Sleeve (#6) in between the two Safety Stop Frames (#7 & #8). Align the holes and insert the Weight Bar (#9) into the Left Safety Stop Frame through the Weight Lifting Sleeve to the other end of Right Safety Stop Frame. Turn the safety hooks on the Weight Lifting Sleeve to secure its position on the selected slot of the Vertical Beams (#1 & #2). Center the Weight Bar and secure it to the Left & Right Safety Stop Frames with two M8 x 3/8" Allen Bolts (#90) on each end.
- B.) Slide two Olympic Sleeves (#50) onto the Sliding Weight Post (#22). Slide two Long Olympic Sleeves (#51) onto the Weight Bar (#9).
- C.) Attach four Spring Clips (#49) to the Olympic Sleeves.
- D.) Attach the Left & Right Bar Holders (#32 & #33), Left & Right Safety Catches (#30 & #31) onto the selected peg on the Left & Right Vertical Beams.

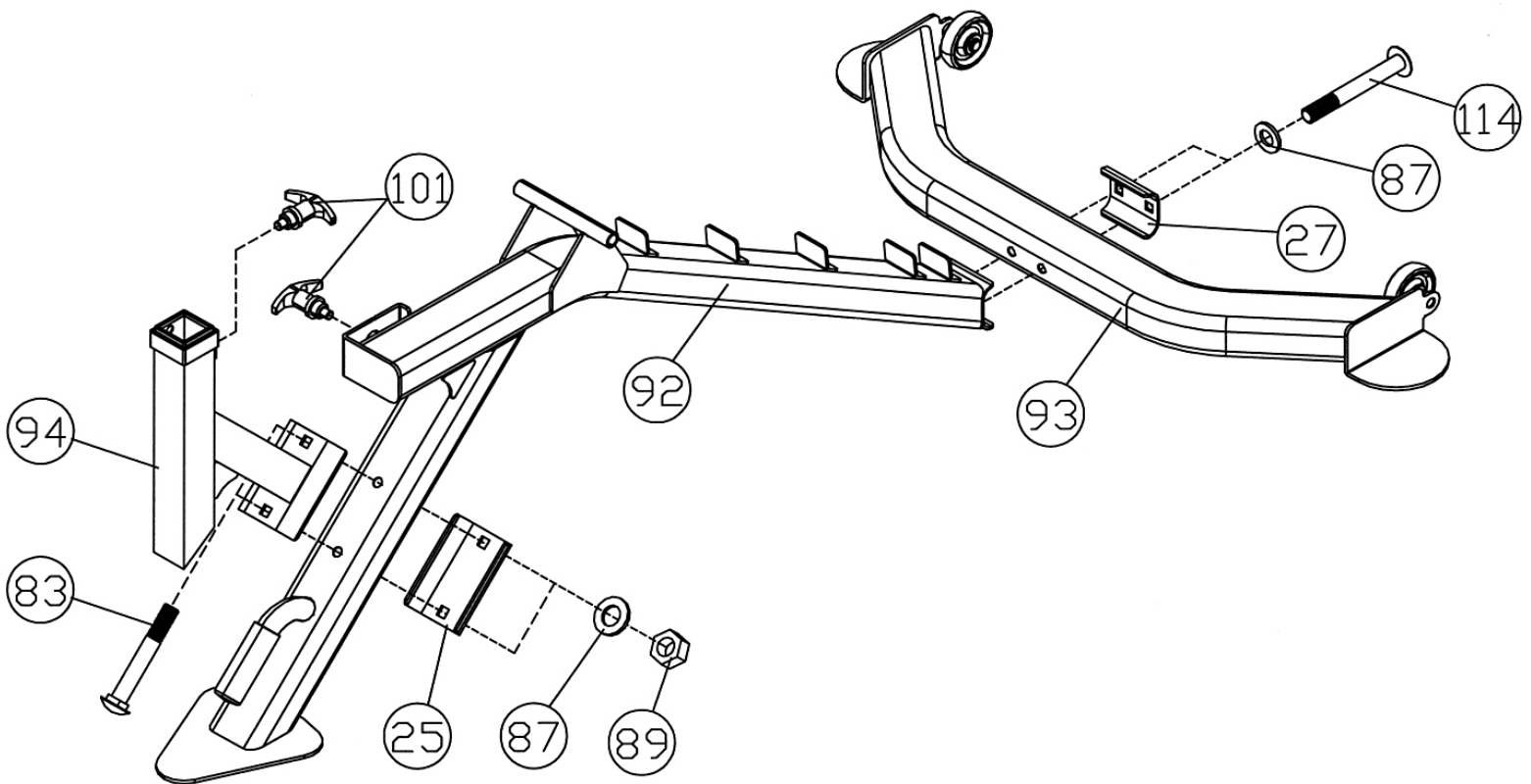
### DIAGRAM 8



## STEP 9 (See Diagram 9)

- A.) Attach the Main Seat Support (#92) to the Rear Stabilizer (#93). Secure it with two M10 x 3 1/2" Allen Bolts (#114), one 2 3/4" x 2" Bent Bracket (#27) and two Ø 3/4" Washers (#87).
- B.) Attach the Front Post (#94) to the Main Seat Support. Secure it with two M10 x 2 3/4" Carriage Bolts (#83), one 4 3/8" x 2 3/4" Bent Bracket (#25), two Ø 3/4" Washers (#87), and two M10 Aircraft Nuts (#89).
- C.) Thread two T-shaped Lock Pins (#101) into the holes on the Main Seat Support (#92) and the Front Post (#94).

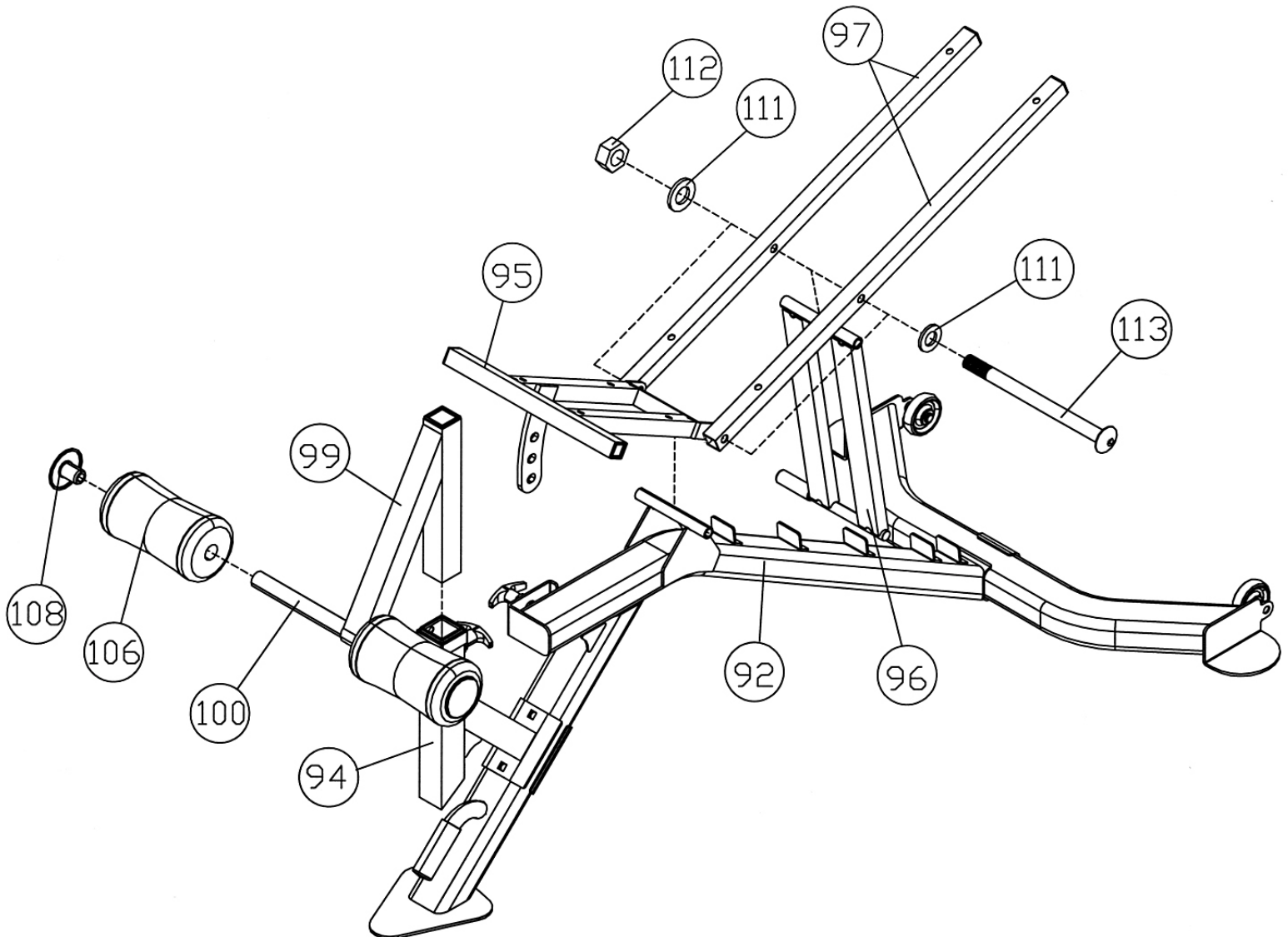
### DIAGRAM 9



## STEP-10 (See Diagram 10)

- A.) Attach the Seat Bracket (#95) to the pivot on the Main Seat Support (#92).
- B.) Attach the two Backrest Supports (#97) to the Seat Bracket (#95) and align the holes. Secure them with a M12 x 8 ½" Allen Bolt (#113), two Ø 1" Washers (#111), and one M12 Aircraft Nut (#112). Use the T-shaped Lock Pin on the Main Seat Support to lock the Seat Bracket at desired incline.
- C.) Attach the Backrest Incline Support (#96) in between the two Backrest Supports (#97). Align the holes and secure it with a M12 x 8 ½" Allen Bolt (#113), two Ø 1" Washers (#111), and one M12 Aircraft Nut (#112). Place the other end of the Support onto the selected slot on the Main Seat Support.
- D.) Do not over tighten the Nut and Bolt. Make sure the Backrest Supports and Backrest Incline Support are able to swivel.
- E.) Insert the Foam Tube Frame (#99) into the opening on the Front Post (#94). Use the T-shaped Lock Pin to lock the Frame at desired height.
- F.) Insert the Foam Tube (#100) half way through the hole on the Foam Tube Frame. Push two Vinyl Foam Rolls (#106) onto the Tube from both ends. Plug two Foam Roll End Caps (#108) into the ends.

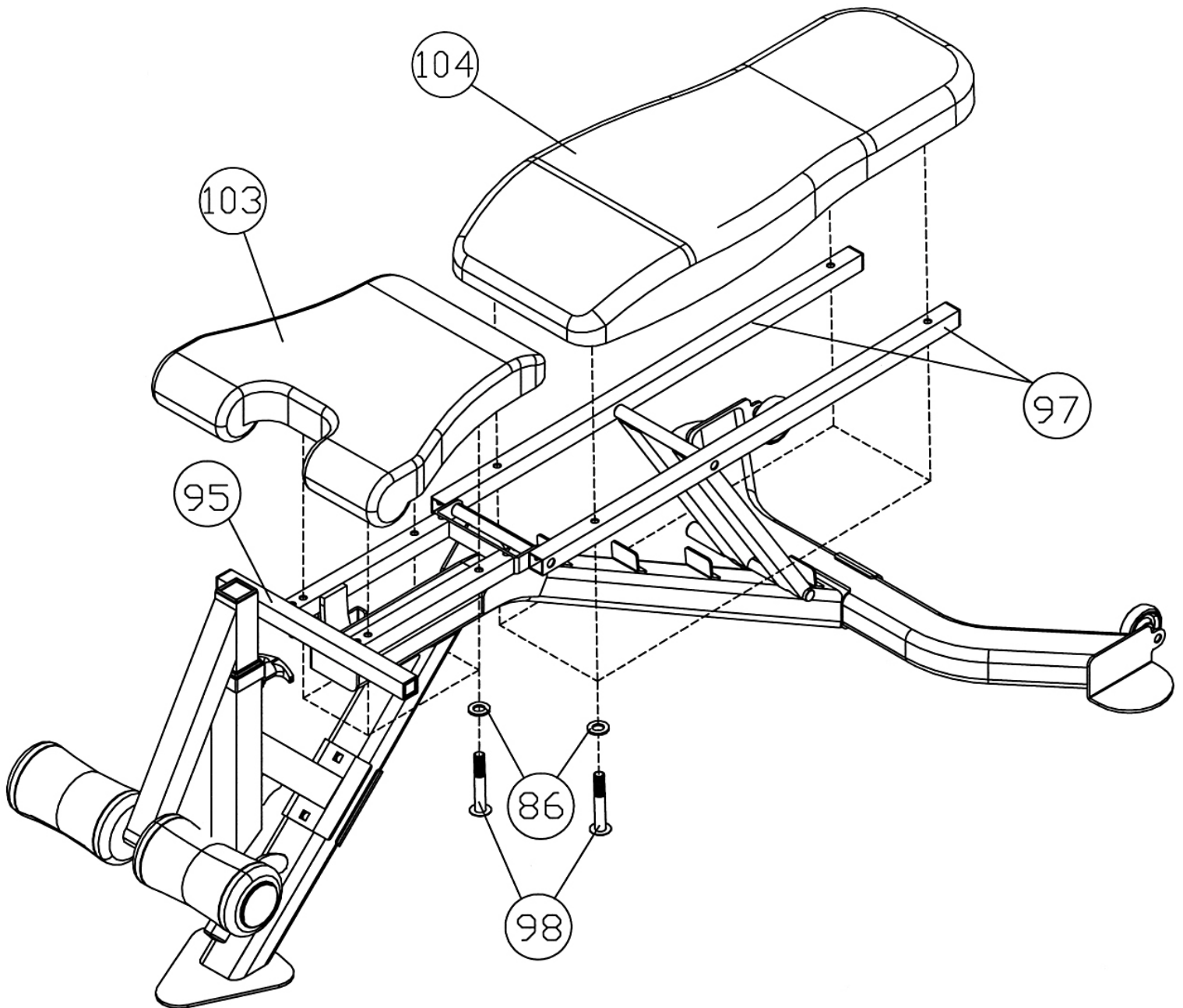
**DIAGRAM 10**



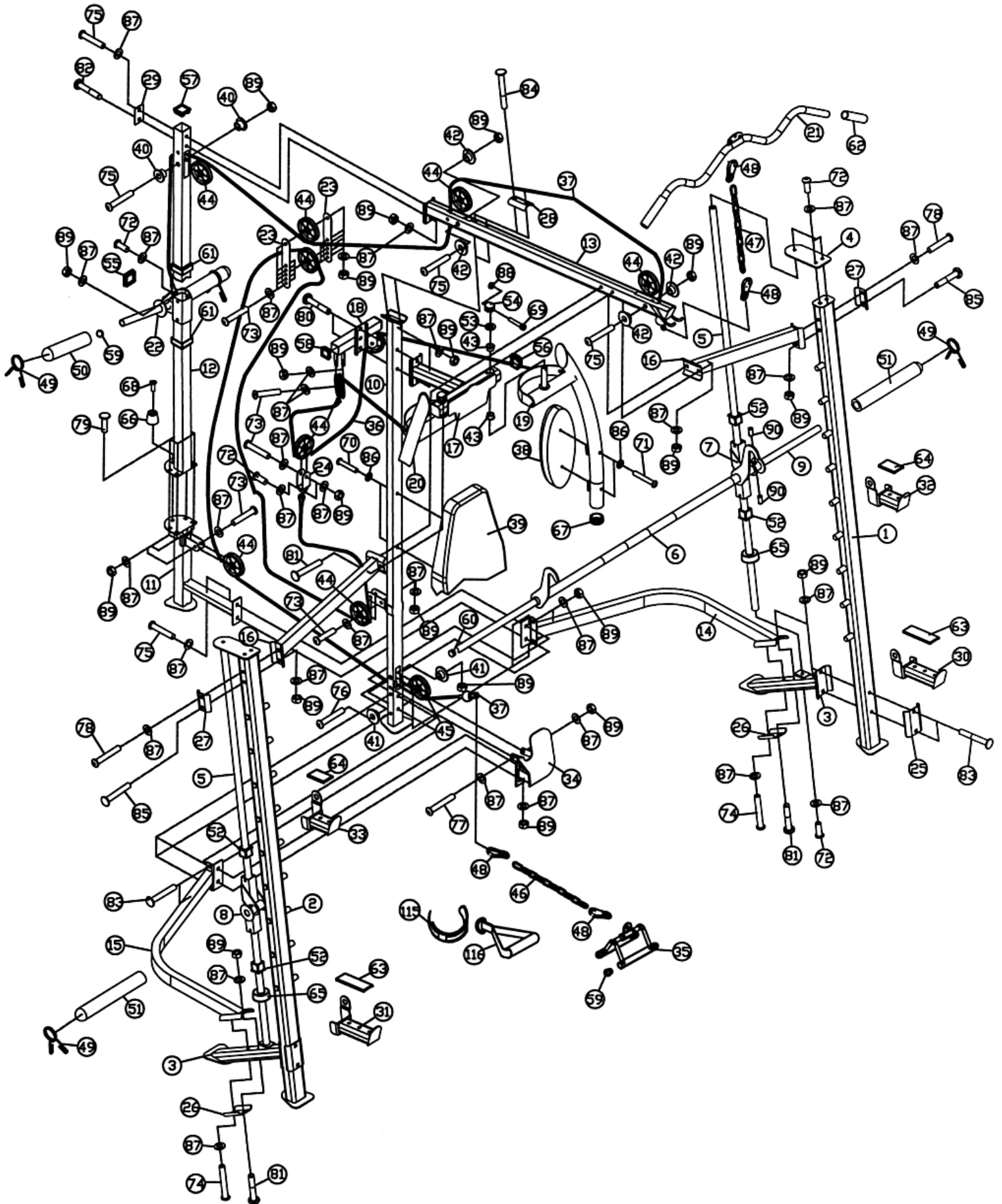
**STEP-11 (See Diagram 11)**

- A.) Place the Seat Pad (#103) onto the Seat Bracket (#95). Secure it with four M8 x 1 5/8" Allen Bolts (#98) and  $\text{\O} 5/8$ " Washers (#86).
- B.) Attach the Bench Backrest Board (#104) to the Backrest Supports (#97). Secure it with four M8 x 1 5/8" Allen Bolts (#98) and  $\text{\O} 5/8$ " Washers (#86).

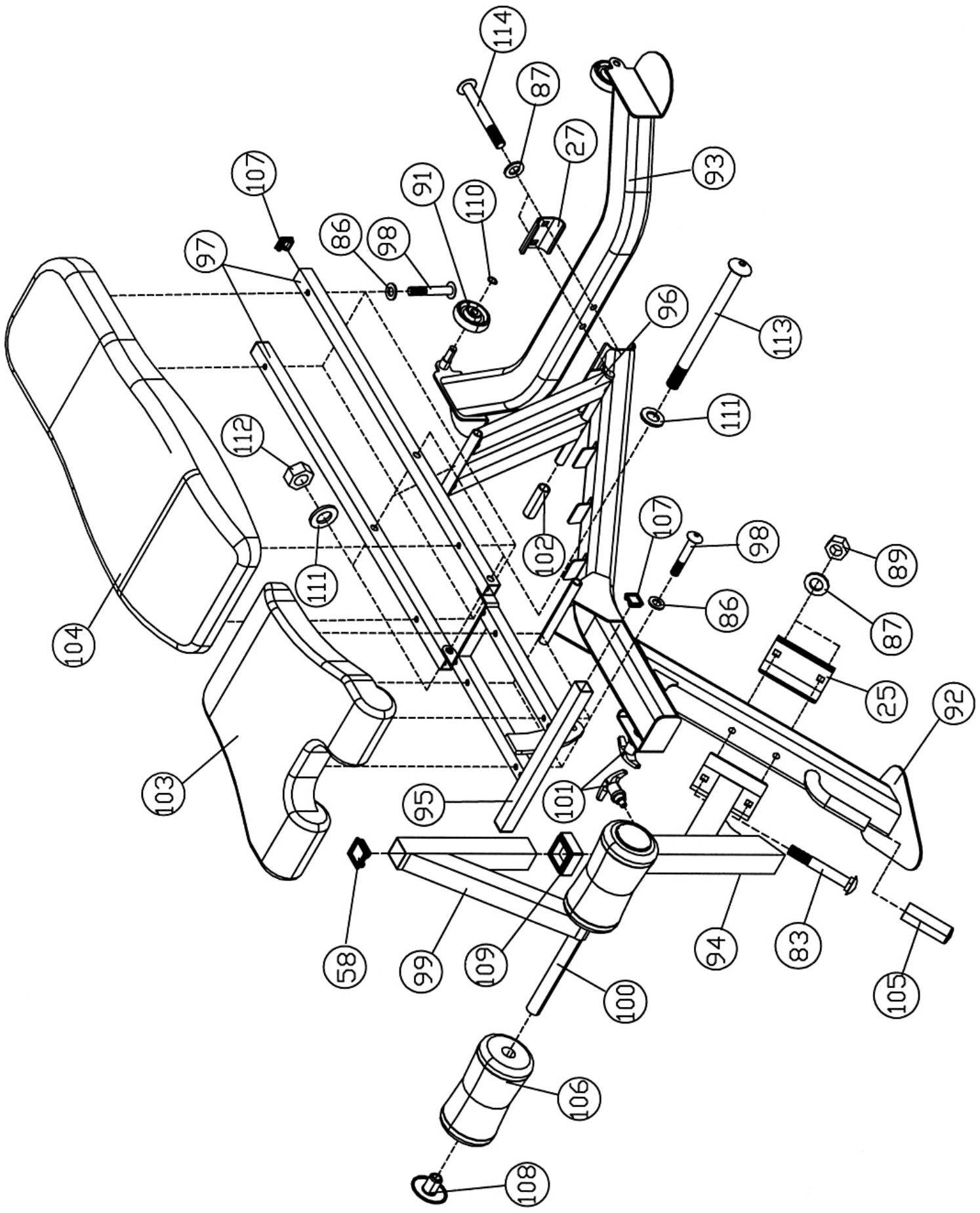
**DIAGRAM 11**



# SMITH MACHINE EXPLODED DIAGRAM







# BENCH EXPLODED DIAGRAM

## PARTS LIST

KEY NO.	DESCRIPTION	Q'ty			
1	Left Vertical Beam	1	59	Ø 1" Cone-shaped End Cap	6
2	Right Vertical Beam	1	60	Ø 1" End Cap	2
3	Diagonal Support	2	61	2" x 1 3/4" Sleeve	2
4	Guide Rod Bracket	2	62	Lat Bar Grip	2
5	Guide Rod	2	63	5 3/4" x 2" Rubber Bumper	2
6	Lifting Sleeve	1	64	3 3/8" x 2" Rubber Bumper	2
7	Left Safety Stop Frame	1	65	Ø 2 1/2" x 1" Rubber Bumper	2
8	Right Safety Stop Frame	1	66	Ø 1 3/4" x 1 5/8" Rubber Bumper	1
9	Weight Bar	1	67	Ø 2" End Cap	2
10	Rear Vertical Beam	1	68	M6 x 5/8" Philips Screw	1
11	Weight Glide Post Base	1	69	M6 x 1 1/4" Allen Bolt	2
12	Weight Glide Post	1	70	M8 x 1 3/4" Allen Bolt	2
13	Upper Frame	1	71	M8 x 2 1/2" Allen Bolt	4
14	Left Cross Brace	1	72	M10 x 1" Allen Bolt	10
15	Right Cross Brace	1	73	M10 x 1 3/4" Allen Bolt	7
16	Upper Frame Support	2	74	M10 x 2 1/8" Allen Bolt	2
17	Butterfly Base	1	75	M10 x 2 3/8" Allen Bolt	6
18	Butterfly Pulley Bracket	1	76	M10 x 2 3/4" Allen Bolt	1
19	Left Butterfly	1	77	M10 x 3" Allen Bolt	1
20	Right Butterfly	1	78	M10 x 3 3/8" Allen Bolt	2
21	Lat Bar	1	79	M10 x 3/4" Carriage Bolt	4
22	Sliding Weight Post	1	80	M10 x 2" Carriage Bolt	2
23	Double Floating Pulley Bracket	2	81	M10 x 2 3/8" Carriage Bolt	4
24	Single Floating Pulley Bracket	1	82	M10 x 2 1/2" Carriage Bolt	1
25	4 3/8" x 2 3/4" Bent Bracket	3	83	M10 x 2 3/4" Carriage Bolt	8
26	3 3/4" x 2 3/8" Bent Bracket	2	84	M10 x 3 1/8" Carriage Bolt	2
27	2 3/4" x 2" Bent Bracket	3	85	M10 x 3 1/2" Carriage Bolt	2
28	3 1/2" x 1 5/8" Bent Bracket	1	86	Ø 5/8" Washer	14
29	2 3/4" x 1 3/4" Bracket	1	87	Ø 3/4" Washer	62
30	Left Safety Catch	1	88	M6 Aircraft Nut	2
31	Right Safety Catch	1	89	M10 Aircraft Nut	39
32	Left Bar Holder	1	90	M10 x 3/8" Allen Bolt	4
33	Right Bar Holder	1	91	Wheel	2
34	Foot Plate	1	92	Main Seat Support	1
35	V Bar	1	93	Rear Stabilizer	1
36	79" Butterfly Cable	1	94	Front Post	1
37	123" Cable	2	95	Seat Bracket	1
38	Butterfly Arm Pad	2	96	Backrest Incline Support	1
39	Backrest Board	1	97	Backrest Support	2
40	Ø 1" x 1/2" Pulley Bushing	2	98	M8 x 1 5/8" Allen Bolt	8
41	Ø 1" x 5/8" Pulley Bushing	2	99	Foam Tube Frame	1
42	Ø 1 1/8" x 3/8" Pulley Bushing	4	100	Foam Tube	1
43	Ø 1 1/8" x 5/8" Bushing	4	101	T-shaped Lock Pin	2
44	Pulley	10	102	Plastic Cover	1
45	Small Pulley	1	103	Seat Pad	1
46	Long Chain	1	104	Bench Backrest Board	1
47	Short Chain	1	105	4" Grip	1
48	Hook	4	106	Vinyl Foam Roll	2
49	Spring Clip	4	107	1" Square End Cap	4
50	Olympic Sleeve	2	108	Foam Roll End Cap	2
51	Long Olympic Sleeve	2	109	1 3/4" Sleeve	1
52	1 1/2" x 1" Sleeve	4	110	Ø 1" E-Clip	2
53	Ø 1 1/2" Washer	2	111	Ø 1" Washer	4
54	Lock Ring	2	112	M12 Aircraft Nut	2
55	2" Square End Cap	1	113	M12 x 8 1/2" Allen Bolt	2
56	2" Butterfly Base End Cap	2	114	M10 x 3 1/2" Allen Bolt	2
57	1 3/4" Square End Cap	1	115	Ankle Strap	1
58	1 1/2" Square End Cap	3	116	Single Handle	1



## LIMITED WARRANTY

IMPEX® warrants this product to be free from defects in workmanship and material, under normal use and service conditions, for a period of two years on the Frame from the date of purchase. This warranty extends only to the original purchaser. IMPEX's obligation under this Warranty is limited to replacing or repairing, at IMPEX's option.

All returns must be pre-authorized by IMPEX. Pre-authorization may be obtained by calling IMPEX Customer Service Department at 1-800-999-8899. All freights on products returned to IMPEX must be prepaid by the customer. This warranty does not extend to any product or damage to a product caused by or attributable to freight damage, abuse, misuse, improper or abnormal usage or repairs not provided by an IMPEX authorized service center or for products used for commercial or rental purposes. No other warranty beyond that specifically set forth above is authorized by IMPEX.

IMPEX is not responsible or liable for indirect, special or consequential damages arising out of or in connection with the use or performance of the product or other damages with respect to any economic loss, loss of property, loss of revenues or profits, loss of enjoyments or use, costs of removal, installation or other consequential damages or whatsoever natures. Some states do not allow the exclusion or limitation of incidental or consequential damages. Accordingly, the above limitation may not apply to you.

The warranty extended hereunder is in lieu of any and all other warranties and any implied warranties of merchantability or fitness for a particular purpose is limited in its scope and duration to the terms set forth herein. Some states do not allow limitations on how long an implied warranty lasts. Accordingly, the above limitation may not apply to you.

This warranty gives you specific legal right. You may also have other rights which vary from state to state. Register on-line at [www.impex-fitness.com](http://www.impex-fitness.com)

**IMPEX®**  
**14777 Don Julian**  
**City of Industry, CA 91746**

### **ORDERING REPLACEMENT PARTS**

Replacement parts can be ordered by calling our Customer Service Department toll-free at **1-800-999-8899** during our regular business hours: Monday through Friday, 9 am until 5 pm Pacific standard time.  
**info@impex-fitness.com**

When ordering replacement parts, always give the following information.

1. Model
2. Description of Parts
3. Part Number
4. Date of Purchase