

Register your product and get support at  
[www.philips.com/welcome](http://www.philips.com/welcome)

DCM580



---

EN	User manual	3
DA	Brugervejledning	21
DE	Benutzerhandbuch	39
ES	Manual del usuario	59

---

---

FR	Mode d'emploi	79
IT	Manuale utente	99
NL	Gebruiksaanwijzing	119
SV	Användarhandbok	139

---

**PHILIPS**

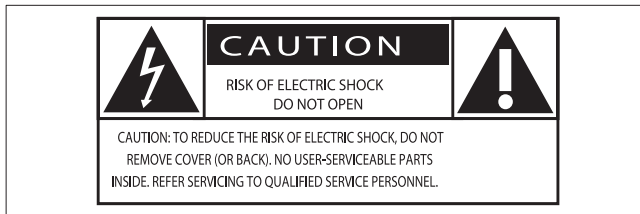
# Contents

<b>1 Important</b>	4	<b>8 Listen to the radio</b>	15
Safety	4	Tune to a radio station	15
Notice	5	Program radio stations automatically	15
		Program radio stations manually	15
		Select a preset radio station	15
<b>2 Your Docking Entertainment System</b>	6		
Introduction	6	<b>9 Adjust sound</b>	16
What's in the box	6	Adjust volume	16
Overview of the main unit	7	Select a preset sound effect	16
Overview of the remote control	8	Enhance bass	16
		Immerse music over a wider spot	16
		Mute sound	16
<b>3 Get started</b>	9		
Connect FM antenna	9	<b>10 Other features</b>	16
Connect power	10	Set the sleep timer	16
Prepare the remote control	10	Set the alarm timer	16
Set clock	10	Listen to an external device	17
Turn on	11	Turn on or off the light effect	17
<b>4 Play disc</b>	11	<b>11 Product information</b>	17
		Specifications	17
		USB playability information	18
		Supported MP3 disc formats	19
<b>5 Play from USB</b>	12		
		<b>12 Troubleshooting</b>	19
<b>6 Play options</b>	12		
Skip to a track	12		
Pause/resume play	12		
Search within a track	12		
Display play information	12		
Repeat play	12		
Random play	13		
Program tracks	13		
<b>7 Play iPhone/iPod</b>	13		
Compatible iPod/iPhone	13		
Load the iPhone/iPod	13		
Listen to the iPhone/iPod	14		
Charge the iPhone/iPod	14		
Remove the iPhone/iPod	14		

# 1 Important

## Safety

Know these safety symbols



This 'bolt of lightning' indicates uninsulated material within your unit may cause an electrical shock. For the safety of everyone in your household, please do not remove product covering.

The 'exclamation point' calls attention to features for which you should read the enclosed literature closely to prevent operating and maintenance problems. **WARNING:** To reduce the risk of fire or electric shock, this apparatus should not be exposed to rain or moisture and objects filled with liquids, such as vases, should not be placed on this apparatus.

**CAUTION:** To prevent electric shock, match wide blade of plug to wide slot, fully insert.

## Important Safety Instructions

- ① Read these instructions.
- ② Keep these instructions.
- ③ Heed all warnings.
- ④ Follow all instructions.
- ⑤ Do not use this apparatus near water.
- ⑥ Clean only with dry cloth.
- ⑦ Do not block any ventilation openings. Install in accordance with the manufacturer's instructions.
- ⑧ Do not install near any heat sources such as radiators, heat registers, stoves, or other apparatus (including amplifiers) that produce heat.
- ⑨ Protect the power cord from being walked on or pinched, particularly at plugs, convenience receptacles, and the point where they exit from the apparatus.
- ⑩ Only use attachments/accessories specified by the manufacturer.
- ⑪ Use only with the cart, stand, tripod, bracket, or table specified by the manufacturer or sold with the apparatus. When a cart is used, use caution when moving the cart/apparatus combination to avoid injury from tip-over.
- ⑫ Unplug this apparatus during lightning storms or when unused for long periods of time.
- ⑬ Refer all servicing to qualified service personnel. Servicing is required when the apparatus has been damaged in any way, such as power-supply cord or plug is damaged, liquid has been spilled or objects have fallen into the apparatus, the apparatus has been exposed to rain



or moisture, does not operate normally, or has been dropped.

- ⑭ **Apparatus shall not be exposed to dripping or splashing.**
- ⑮ **Do not place any sources of danger on the apparatus (e.g. liquid filled objects, lighted candles).**
- ⑯ **This product may contain lead and mercury. Disposal of these materials may be regulated due to environmental considerations. For disposal or recycling information, please contact your local authorities or the Electronic Industries Alliance: [www.eiae.org](http://www.eiae.org).**
  - Where the MAINS plug or an appliance coupler is used as the disconnect device, the disconnect device shall remain readily operable.

### Warning

- Never remove the casing of this apparatus.
- Never lubricate any part of this apparatus.
- Never place this apparatus on other electrical equipment.
- Keep this apparatus away from direct sunlight, naked flames or heat.
- Never look into the laser beam inside this apparatus.
- Ensure that you always have easy access to the power cord, plug or adaptor to disconnect this apparatus from the power.

## Notice

This product complies with the radio interference requirements of the European Community.



This product complies with the requirements of the following directives and guidelines: 2004/108/EC + 2006/95/EC  
Any changes or modifications made to this device that are not expressly approved by Philips Consumer Lifestyle may void the user's authority to operate the equipment.

## Recycling

Your product is designed and manufactured with high quality materials and components, which can be recycled and reused.



When you see the crossed-out wheel bin symbol attached to a product, it means the product is covered by the European Directive 2002/96/EC:



Never dispose of your product with other household waste. Please inform yourself about the local rules on the separate collection of electrical and electronic products. The correct disposal of your old product helps prevent potentially negative consequences on the environment and human health.

Your product contains batteries covered by the European Directive 2006/66/EC, which cannot be disposed of with normal household waste.

When you see the crossed-out wheel bin symbol with the chemical symbol 'Pb', it means that the batteries comply with the requirement set by the directive for lead: Please inform yourself about the local rules on separate collection of batteries. The correct disposal of batteries helps prevent potentially negative consequences on the environment and human health.



### Environmental information

All unnecessary packaging has been omitted. We have tried to make the packaging easy to separate into three materials: cardboard (box), polystyrene foam (buffer) and polyethylene (bags, protective foam sheet.)

Your system consists of materials which can be recycled and reused if disassembled by a specialized company. Please observe the local regulations regarding the disposal of packaging materials, exhausted batteries and old equipment.

This apparatus includes this label:



Windows Media and the Windows logo are trademarks, or registered trademarks of Microsoft Corporation in the United States and/or other countries.



## Norge

Typeskilt finnes på apparatens underside.  
Observer: Nettbryteren er sekundært innkoplet. Den innebygde nettdelen er derfor ikke frakoplet nettet så lenge apparatet er tilsluttet nettkontakten.  
For å redusere faren for brann eller elektrisk støt, skal apparatet ikke utsettes for regn eller fuktighet.

# 2 Your Docking Entertainment System

Congratulations on your purchase, and welcome to Philips! To fully benefit from the support that Philips offers, register your product at [www.philips.com/welcome](http://www.philips.com/welcome).

---

## Introduction

With this unit, you can enjoy audio from audio discs, USB devices, iPod players, iPhone and other external devices, or listen to radio stations.

The unit offers you multiple sound effect settings that enrich sound with Digital Sound Control (DSC) and Dynamic Bass Boost (DBB). The unit supports the following media formats:



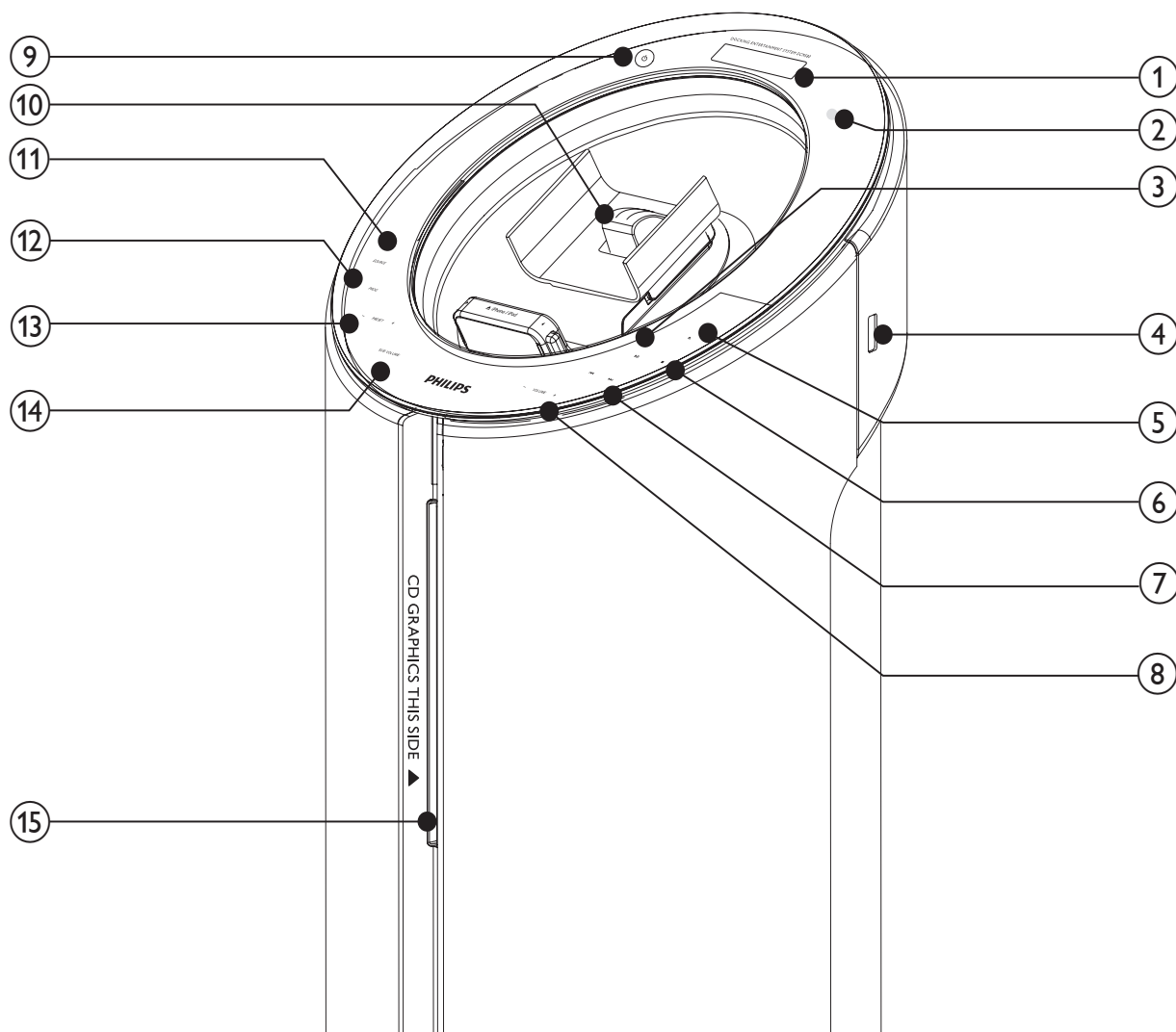
---

## What's in the box

Check and identify the contents of your package:

- Main unit
- Remote control with battery
- FM antenna
- Power cord
- MP3 link cable
- User manual
- Quick start guide

## Overview of the main unit



① **Display panel**

- Show current status.

② **IR sensor**

③ **▶||**

- Start or pause play.

④ **🔌**

- Jack for a USB mass storage device.

⑤ **▲**

- Eject the disc.

⑥ **■**

- Stop play or erase a program.

⑦ **⏮️/⏭️**

- Skip to the previous/next track.
- Search within a track/ disc/USB.
- Tune to a radio station.

⑧ **VOLUME +/-**

- Adjust volume.

⑨ **⏻**

- Turn on the apparatus, or switch to standby mode.

⑩ **Dock for iPod/iPhone**

⑪ **SOURCE**

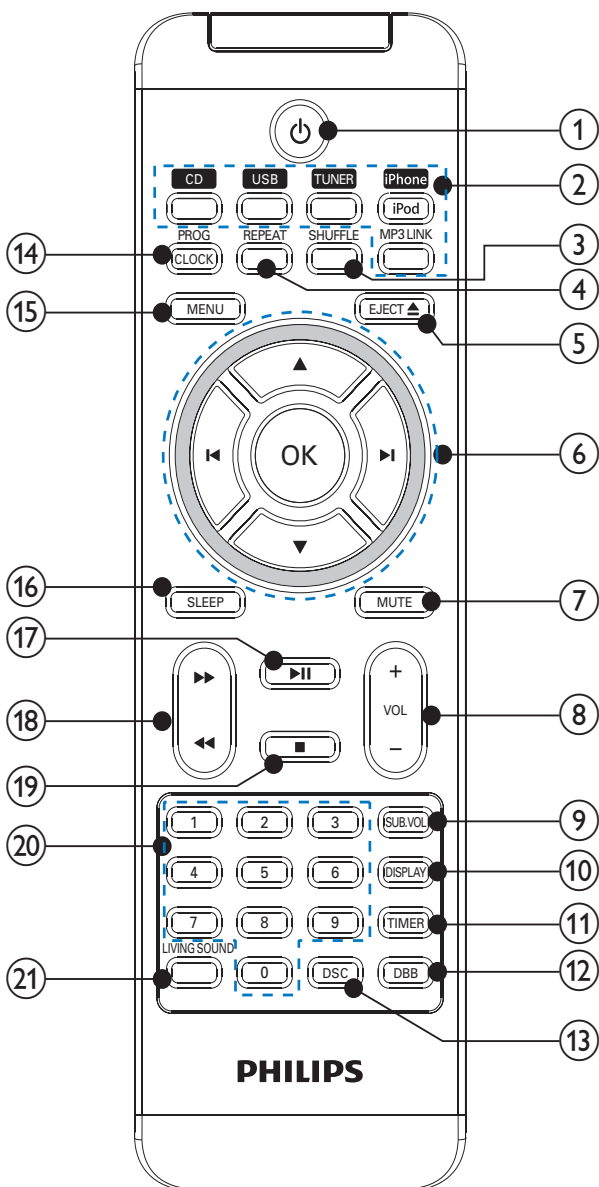
- Select a source: CD, FM TUNER, iPod/iPhone, USB or MP3 LINK.

⑫ **PROG**

- Program tracks.
- Program radio stations.
- Set the clock.

- ⑬ - **PRESET +**
  - Select a preset radio station.
  - Skip to the previous/next album.
- ⑭ **SUB VOLUME**
  - Adjust subwoofer volume.
- ⑮ **Disc compartment**

## Overview of the remote control



- ① **Power**
  - Turn on the apparatus, or switch to standby mode.

- ② **Source selection keys (CD, USB, TUNER, iPhone/iPod, MP3 LINK)**
  - Select a source: CD, USB, TUNER, iPhone/iPod or MP3 LINK.
- ③ **SHUFFLE**
  - Play tracks randomly.
- ④ **REPEAT**
  - Select a repeat play mode.
- ⑤ **EJECT ▲**
  - Eject the disc.
- ⑥ **▲▼**
  - Skip to the previous/next album.
  - Navigate through the iPod/iPhone menu.
- ◀▶**
  - Skip to the previous/next track.
  - Navigate through the iPod/iPhone menu.
  - Tune to a radio station.
- OK**
  - Confirm a selection.
- ⑦ **MUTE**
  - Mute volume.
- ⑧ **VOL +/-**
  - Adjust volume.
- ⑨ **SUB.VOL**
  - Adjust subwoofer volume.
- ⑩ **DISPLAY**
  - During play, select display information.
- ⑪ **TIMER**
  - Set the alarm timer.
  - Activate or deactivate the timer.
- ⑫ **DBB**
  - Turns on or off dynamic bass enhancement.
- ⑬ **DSC**
  - Select a preset sound setting.
- ⑭ **PROG/CLOCK**
  - Program tracks.
  - Program radio stations.
  - Set the clock.

- ⑮ **MENU**
  - Access the iPod/iPhone menu.
- ⑯ **SLEEP**
  - Set the sleep timer.
- ⑰ **▶||**
  - Start or pause play.
- ⑱ **◀◀/▶▶**
  - Search within a track/disc/USB/iPod/iPhone.
- ⑲ **■**
  - Stop play or erase a program.
- ⑳ **Numeric keypad**
  - Select a track from a disc directly.
- ㉑ **LIVING SOUND**
  - Turn on or off the Living Sound effect.

## 3 Get started



### Caution

- Use of controls or adjustments or performance of procedures other than herein may result in hazardous radiation exposure or other unsafe operation.

Always follow the instructions in this chapter in sequence.

If you contact Philips, you will be asked for the model and serial number of this apparatus. The model number and serial number are on the back of the apparatus. Write the numbers here:

Model No. \_\_\_\_\_

Serial No. \_\_\_\_\_

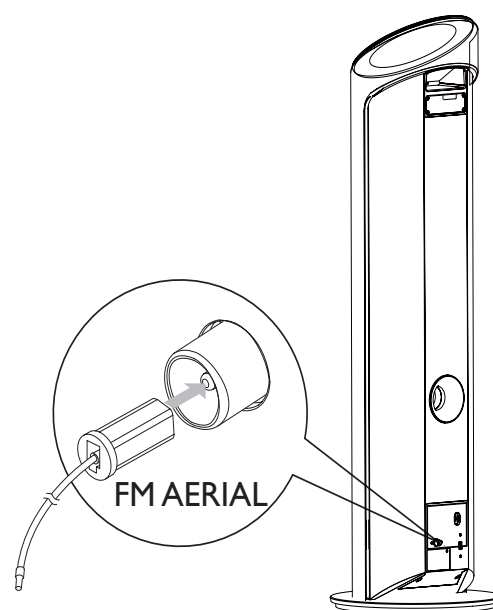
## Connect FM antenna



### Tip

- For optimal reception, fully extend and adjust the position of the antenna.

- 1 Connect the supplied FM antenna to the **FM AERIAL** jack on the main unit.





## Connect power

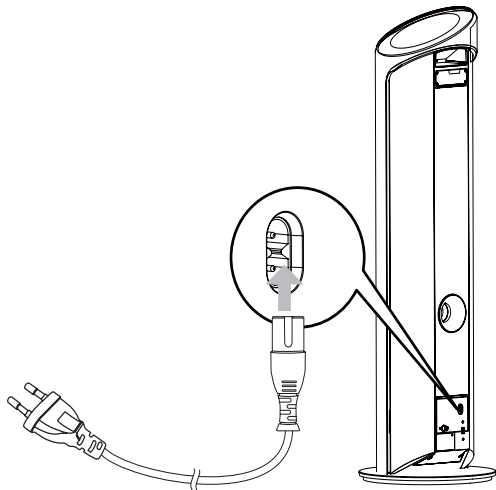
### ! Caution

- Risk of product damage! Ensure that the power supply voltage corresponds to the voltage printed on the back or the underside of the unit.
- Risk of electric shock! When you unplug the AC power cord, always pull the plug from the socket. Never pull the cord.
- Before connecting the AC power cord, ensure you have completed all other connections.

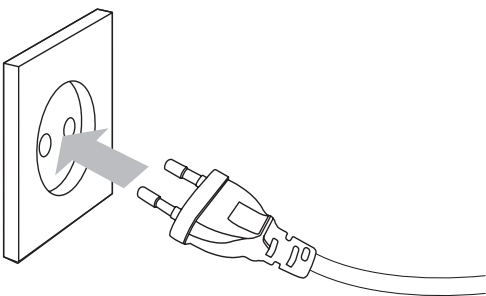
### ☰ Note

- The type plate is located on the back of the main unit.

- 1 Connect the power cord to the **AC~MAINS** jack on the main unit.



- 2 Connect the power plug to the wall outlet.



## Prepare the remote control

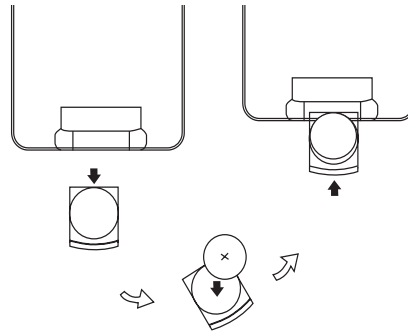
### ! Caution

- Risk of explosion! Keep batteries away from heat, sunshine or fire. Never discard batteries in fire.

### For first-time use:

- 1 Remove the protective tab to activate the remote control battery.

### To replace the remote control batteries:



- 1 Open the battery compartment.
- 2 Insert one lithium CR2025 battery with correct polarity (+/-) as indicated.
- 3 Close the battery compartment.

### ☰ Note

- Before you press any function button on the remote control, first select the correct source with the remote control instead of the main unit.
- If you are not going to use the remote control for a long time, remove the battery.

## Set clock

- 1 In standby mode, press **PROG/CLOCK** on the remote control to activate the clock setting mode.
  - ↳ The 12 hour or 24 hour format is displayed.



## Note

- In Eco Power Standby mode, press **CLOCK** to show clock first, then press and hold **CLOCK** to proceed clock setting.

- 2 Press **◀/▶** to select 12 hour or 24 hour format.
- 3 Press **PROG/CLOCK**.  
↳ The hour digits are displayed and begin to blink.
- 4 Press **◀/▶** to set the hour.
- 5 Press **PROG/CLOCK**.  
↳ The minute digits are displayed and begin to blink.
- 6 Press **◀/▶** to set the minute.
- 7 Press **PROG/CLOCK** to confirm.

---

## Turn on

- 1 Press **⏻**.  
↳ The unit switches to the last selected source.

---

## Switch to standby

- 1 Press **⏻** to switch the unit to standby mode.  
↳ The backlight on the display panel is reduced.  
↳ The clock (if set) appears on the display panel.  
↳ You can charge the iPhone/iPod.

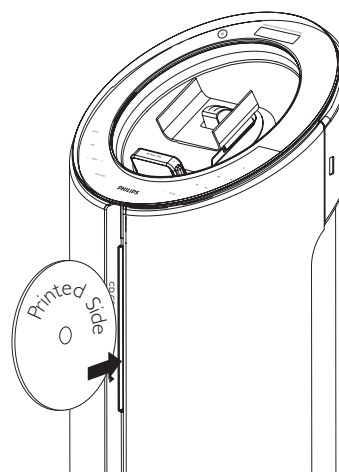


## Note

- If no button is pressed over 15 minutes in Standby mode, the apparatus goes to Eco Power Standby mode automatically and the backlight on the display turns off.

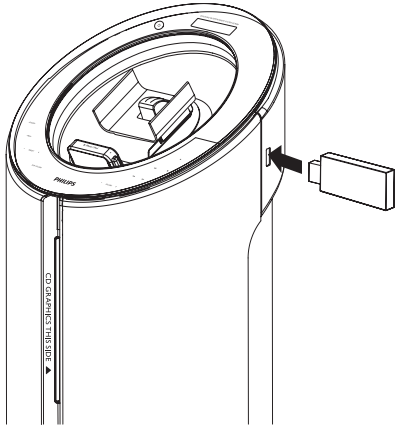
# 4 Play disc

- 1 Press **CD** to select the disc source.
- 2 Insert a disc into the disc compartment with the printed side facing right.  
↳ Play starts automatically.




- To pause/resume play, press **▶||**.
- To stop play, press **■**.
- For MP3/WMA disc: to select an album, press **▲/▼**.
- To skip to a track/file/chapter, press **◀/▶**.
- To fast backward/forward, press and hold **◀◀/▶▶**.

## 5 Play from USB



### Note

- Ensure that the USB device contains playable audio content.

- 1 Connect the USB device into the  socket.
- 2 Press **USB** to select the USB source.
  - ↳ The total number of tracks is displayed.
  - ↳ Play starts automatically.
- 3 Press **▲▼** to select a folder.
- 4 Press **◀▶** to select a file.

## 6 Play options

---

### Skip to a track

For CD:

- 1 Press **◀▶** to select another track.
  - To select a track directly, you can also press a key on the numerical keypad.

For MP3 disc and USB:

- 1 Press **▲▼** to select an album or folder.
- 2 Press **◀▶** to select a track or file.

---

### Pause/resume play

- 1 During play, press **▶||** to pause/resume play.

---

### Search within a track

- 1 During play, press and hold **◀◀▶▶**.
- 2 Release to resume normal play.



---

### Display play information

- 1 During play, press **DISPLAY** repeatedly to select different play information.

---


### Repeat play

- 1 During play, press **REPEAT** repeatedly to select:
  - : The current track is played repeatedly.
  - : All tracks are played repeatedly.

- 2 To return to normal play, press **REPEAT** repeatedly until the repeat mode is no longer displayed.

---

## Random play

- 1 Press **SHUFFLE**.  
↳  is displayed. All tracks are played in a random sequence.
- 2 To return to normal play, press **SHUFFLE** again.

---

## Program tracks

You can program a maximum of 20 tracks.

- 1 At CD/USB mode, at the stop position, press **PROG/CLOCK** to activate the program mode.  
↳ [PROG] (program) blinks on the display.
- 2 For MP3/WMA tracks, press **▲▼** to select an album.
- 3 Press **◀▶** to select a track number, then press **PROG/CLOCK** to confirm.
- 4 Repeat steps 2 to 3 to program more tracks.
- 5 Press **▶||** to play the programmed tracks.  
↳ During play, [PROG] (program) is displayed.
  - To erase the program, in the stop position, press **■**.
  - To review the program, in the stop position, press and hold **PROG/CLOCK** for more than 2 seconds.

# 7 Play iPhone/iPod

You can enjoy audio from iPhone/iPod through this unit.

---

## Compatible iPod/iPhone

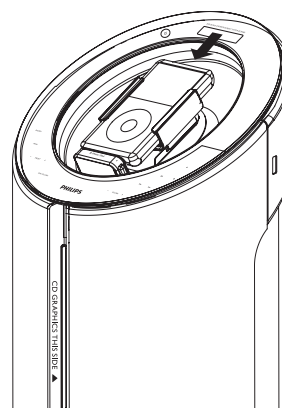
Apple iPod and iPhone models with a 30-pin dock connector:

- iPod classic, iPod touch, iPod nano, iPod 5th generation (video).
- iPhone, iPhone 3G.

---

## Load the iPhone/iPod

- 1 Place the iPhone/iPod in the dock.



---

## Listen to the iPhone/iPod

- 1 Ensure that the iPhone/iPod is loaded correctly.
- 2 Press **iPhone/iPod** to select iPhone/iPod source.
  - ↳ The connected iPhone/iPod plays automatically.
    - To pause/resume play, press ►||.
    - To skip to a track, press ◀|▶.
    - To search during play: press and hold ◀◀▶▶, then release to resume normal play.
    - To navigate the menu: press **MENU**, press ▲▼◀▶ to select, then press **OK** to confirm.

---

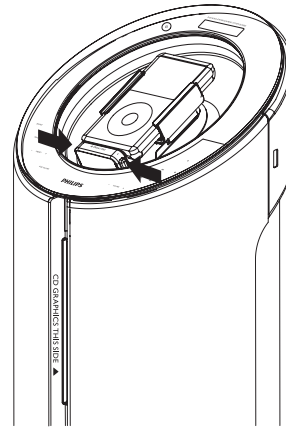
## Charge the iPhone/iPod

When the unit is connected to power, the docked iPhone/iPod begins to charge.

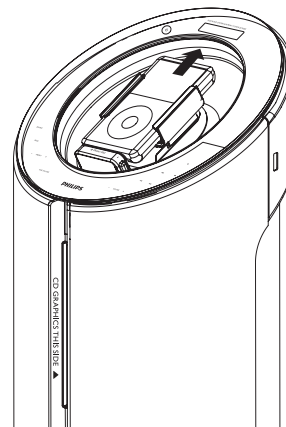
---

## Remove the iPhone/iPod

- 1 Press the two buttons on the bottom of the dock to eject the iPhone/iPod.



- 2 Pull the iPhone/iPod out of the dock.



## 8 Listen to the radio

### Tune to a radio station



Tip

- For optimal FM reception, fully extend and adjust the position of the FM antenna.

- 1 Press **TUNER** to select the tuner source.
- 2 Press and hold **◀▶** for more than 2 seconds.
  - ↳ [SEARCH] (search) is displayed.
  - ↳ The radio tunes to a station with strong reception automatically.
- 3 Repeat step 2 to tune to more stations.
  - To tune to a weak station, press **◀▶** repeatedly until you find optimal reception.

### Program radio stations automatically



Note

- You can program a maximum of 20 preset radio stations.

- 1 In tuner mode, press and hold **PROG/CLOCK** for 2 seconds to activate automatic program mode.
  - ↳ [AUTO] (auto) is displayed.
  - ↳ All available stations are programmed in the order of waveband reception strength.
  - ↳ The first programmed radio station is broadcast automatically.

### Program radio stations manually



Note

- You can program a maximum of 20 preset radio stations.

- 1 Tune to a radio station.
- 2 Press **PROG/CLOCK** to activate program mode.
  - ↳ [PROG] (program) blinks on the display.
- 3 Press **▲/▼** to allocate a number (1 to 20) to this radio station, then press **PROG/CLOCK** to confirm.
  - ↳ The preset number and the frequency of the preset station are displayed.
- 4 Repeat the above steps to program other stations.



Note

- To overwrite a programmed station, store another station in its place.

### Select a preset radio station

- 1 In tuner mode, press **▲/▼** to select a preset number.

## 9 Adjust sound

---

### Adjust volume

- 1 During play, press **VOL +/-** to increase/decrease the volume.

### Adjust subwoofer volume

- 1 During play, press **SUB.VOL** to increase/decrease the volume.


### Select a preset sound effect

- 1 During play, press **DSC** repeatedly to select:
  - [FLAT] (flat)
  - [POP] (pop)
  - [JAZZ] (jazz)
  - [ROCK] (rock)
  - [CLASSIC] (classic)

### Enhance bass

- 1 During play, press **DBB** to turn on or off dynamic bass enhancement.
  - ↳ If DBB is activated, DBB is displayed.

### Immerse music over a wider spot

- 1 During play, press **LIVING SOUND** on the remote control to turn on or off the sound effect.
  - ↳ If Living Sound is activated,  is displayed.

### Mute sound

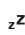
- 1 During play, press **MUTE** to mute/unmute sound.

## 10 Other features


---

### Set the sleep timer

This unit can switch to standby automatically after a set period of time.

- 1 When the unit is turned on, press **SLEEP** repeatedly to select a set period of time (in minutes).
  - ↳ When sleep timer is activated, the display shows [SLEEP](sleep) .

#### To deactivate sleep timer

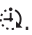

- 1 Press **SLEEP** repeatedly until "OFF" is displayed.
  - ↳ When sleep timer is deactivated, [SLEEP](sleep)  disappears on the display.

### Set the alarm timer

This unit can be used as an alarm clock. The DISC, TUNER, USB or iPhone/iPod is activated to play at a preset time.

- 1 Ensure that you have set the clock correctly.
- 2 Press and hold **TIMER**.
- 3 Press **CD, USB, TUNER** or **iPhone/iPod** to select a source.
- 4 Press **TIMER** to confirm.
  - ↳ The hour digits are displayed and begin to blink.
- 5 Press **⏮/⏭** to set the hour.
- 6 Press **TIMER** to confirm.
  - ↳ The minute digits are displayed and begin to blink.
- 7 Press **⏮/⏭** to set the minute.
- 8 Press **TIMER** to confirm.
  - ↳ The timer is set and activated.

## Activate and deactivate the alarm timer

- 1 Press **TIMER** repeatedly to activate or deactivate the timer.
  - ↳ If the timer is activated, the display shows .
  - ↳ If the timer is deactivated,  disappears on the display.

### Note


- If CD/USB/iPhone/iPod source is selected but the device is not available, tuner is activated automatically.

## Listen to an external device

You can also listen to an external audio device through this unit.

- 1 Press **MP3 LINK** to select MP3 link source.
- 2 Connect the supplied MP3 link cable to:
  - the **MP3 LINK** jack on this unit
  - the headphone jack on the device
- 3 Start to play the device. (See the device user manual).

## Turn on or off the light effect

- 1 Press and hold  on the main unit for more than 4 seconds to turn on or off the light effect.

# 11 Product information

### Note

- Product information is subject to change without prior notice.

## Specifications

### Amplifier

Rated Output Power	140 W RMS
Frequency Response	100 Hz - 16 kHz, $\pm 3$ dB
Signal to Noise Ratio	>70dB
Aux Input	0.5 V RMS 20kohm

### Disc

Laser Type	Semiconductor
Disc Diameter	12cm
Support Disc	CD-DA, CD-R, CD-RW, MP3-CD, WMA-CD
Audio DAC	24Bits / 44.1kHz
Total Harmonic Distortion	<1%
Frequency Response	60Hz -16kHz (44.1kHz)
S/N Ratio	>65dBA



---

## Tuner

---

Tuning Range	FM: 87.5 - 108 MHz
Tuning grid	50 KHz
Sensitivity	
- Mono, 26dB S/N Ratio	<22 dBu
- Stereo, 46dB S/N Ratio	<45 dBu
Search Selectivity	<28 dBu
Total Harmonic Distortion	<3%
Signal to Noise Ratio	>45 dB

---

## Speakers

---

Speaker Impedance	6 ohm + 4 x 3 ohm
Speaker Driver	5.25" woofer + 2" tweeter
Sensitivity	>82 dB/m/W

---

## General information

---

AC power	220-230V / 50Hz
Operation Power Consumption	67W
Standby Power Consumption	<12W
Eco Standby Power Consumption	<1W
USB Direct	Version 2.0/1.1
Dimensions	
- Main Unit (W x H x D)	300 x 1022 x 300 mm
Weight	
- With Packing	18 kg
- Main Unit	14 kg

---

---

## USB playability information

### Compatible USB devices:

- USB flash memory (USB 2.0 or USB1.1)
- USB flash players (USB 2.0 or USB1.1)
- memory cards (requires an additional card reader to work with this unit)

### Supported formats:

- USB or memory file format FAT12, FAT16, FAT32 (sector size: 512 bytes)
- MP3 bit rate (data rate): 32-320 Kbps and variable bit rate
- WMA v9 or earlier
- Directory nesting up to a maximum of 8 levels
- Number of albums/ folders: maximum 99
- Number of tracks/titles: maximum 999
- ID3 tag v2.0 or later
- File name in Unicode UTF8 (maximum length: 128 bytes)

### Unsupported formats:

- Empty albums: an empty album is an album that does not contain MP3/WMA files, and will not be shown in the display.
- Unsupported file formats are skipped. For example, Word documents (.doc) or MP3 files with extension .dlf are ignored and not played.
- AAC, WAV, PCM audio files
- DRM protected WMA files (.wav, .m4a, .m4p, .mp4, .aac)
- WMA files in Lossless format

## Supported MP3 disc formats

- ISO9660, Joliet
- Maximum title number: 512 (depending on file name length)
- Maximum album number: 255
- Supported sampling frequencies: 32 kHz, 44.1kHz, 48 kHz
- Supported Bit-rates: 32~256 (kbps), variable bit rates

# 12 Troubleshooting



### Warning

- Never remove the casing of this apparatus.

To keep the warranty valid, never try to repair the system yourself.

If you encounter problems when using this apparatus, check the following points before requesting service. If the problem remains unsolved, go to the Philips web site ([www.philips.com/welcome](http://www.philips.com/welcome)). When you contact Philips, ensure that the apparatus is nearby and the model number and serial number are available.

### No power

- Ensure that the AC power plug of the unit is connected properly.
- Ensure that there is power at the AC outlet.
- To save power, the system switches off automatically 15 minutes after track play reaches the end and no control is operated.

### No sound or poor sound

- Adjust the volume.

### No response from the unit

- Disconnect and reconnect the AC power plug, then turn on the unit again.

### Remote control does not work

- Before pressing any function button, first select the correct source with the remote control instead of the main unit.
- Reduce the distance between the remote control and the unit.
- Insert the battery with its polarities (+/- signs) aligned as indicated.
- Replace the battery.
- Aim the remote control directly at the sensor on the front of the unit.

**No disc detected**

- Insert a disc.
- Check if the disc is inserted upside down.
- Wait until the moisture condensation at the lens has cleared.
- Replace or clean the disc.
- Use a finalized CD or correct format disc.

**Cannot display some files in USB device**

- The number of folders or files in the USB device has exceeded a certain limit. This phenomenon is not a malfunction.
- The formats of these files are not supported.

**USB device not supported**

- The USB device is incompatible with the unit. Try another one.

**Poor radio reception**

- Increase the distance between the unit and your TV or VCR.
- If the signal is too weak, adjust the antenna or connect an external antenna for better reception.

**Timer does not work**

- Set the clock correctly.
- Switch on the timer.

**Clock/timer setting erased**

- Power has been interrupted or the power cord has been disconnected.
- Reset the clock/timer.

