

**For Your Records and  
Warranty Assistance**

For reference, also attach your receipt or a copy  
of your receipt to the manual.

\_\_\_\_\_  
Model Name

\_\_\_\_\_  
Model No.

\_\_\_\_\_  
Date Purchased

\_\_\_\_\_  
Where Purchased

# Type 3 Models

## Owner's Guide and Installation Manual

English

Español

Form# 45031-01  
20090910  
©2009 Hunter Fan Co.

*Hunter*  
*SINCE 1886*

## Welcome

Your new Hunter® ceiling fan is an addition to your home or office that will provide comfort and performance for many years. This installation and operation manual gives you complete instructions for installing and operating your fan.

We are proud of our work. We appreciate the opportunity to supply you with the best ceiling fan available anywhere in the world.

Before installing your fan, for your records and warranty assistance, record information from the carton and Hunter nameplate label (located on the top of the fan motor housing).

### Table Of Contents

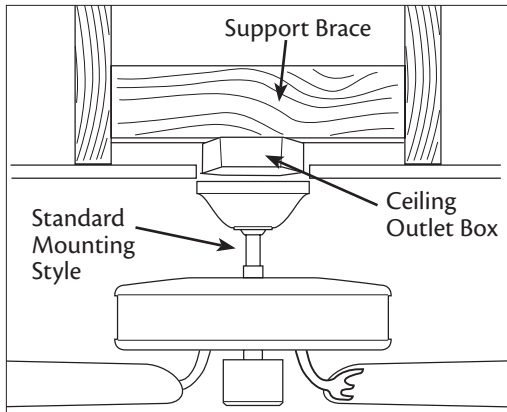
1 • Getting Ready .....	4
2 • Installing the Ceiling Plate .....	5
3 • Assembling and Hanging the Fan ...	6
4 • Setting the Remote Transmitter and Receiver.....	7
5 • Wiring the Fan .....	8
6 • Installing the Canopy and Canopy Trim Ring .....	9
7 • Installing the Blades and Bulb.....	10
8 • Operating the Remote Control and Mounting the Holder.....	11
9 • Operating and Cleaning Your Ceiling Fan .....	12
10 • Troubleshooting .....	13

### Cautions and Warnings

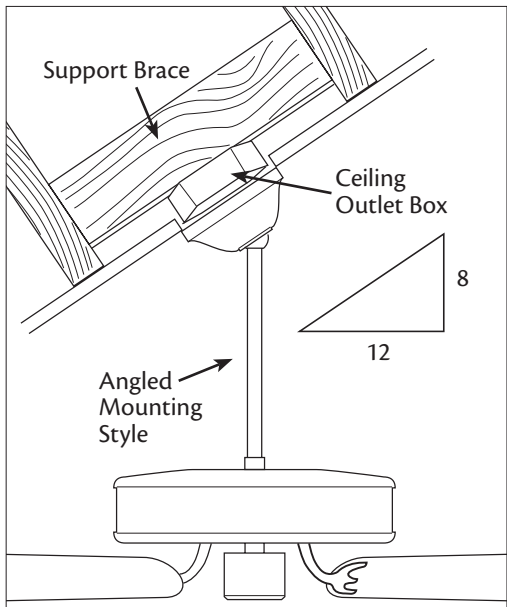
- **READ THIS ENTIRE MANUAL CAREFULLY BEFORE BEGINNING INSTALLATION. SAVE THESE INSTRUCTIONS.**

- Use only Hunter replacement parts.
- To reduce the risk of personal injury, attach the fan directly to the support structure of the building according to these instructions, and use only the hardware supplied.
- To avoid possible electrical shock, before installing your fan, disconnect the power by turning off the circuit breakers to the outlet box and associated wall switch location. If you cannot lock the circuit breakers in the off position, securely fasten a prominent warning device, such as a tag, to the service panel.
- All wiring must be in accordance with national and local electrical codes and ANSI/NFPA 70. If you are unfamiliar with wiring, use a qualified electrician.
- To reduce the risk of personal injury, do not bend the blade attachment system when installing, balancing, or cleaning the fan. Never insert foreign objects between rotating fan blades.
- To reduce the risk of fire, electrical shock, or motor damage, do not use a solid-state speed control with this fan. Use only Hunter speed controls.

## Installer's Choice and Optional Accessories



**Standard Mounting** hangs from the ceiling by a downrod (included).



**Angled Mounting** recommended for a vaulted or angled ceiling

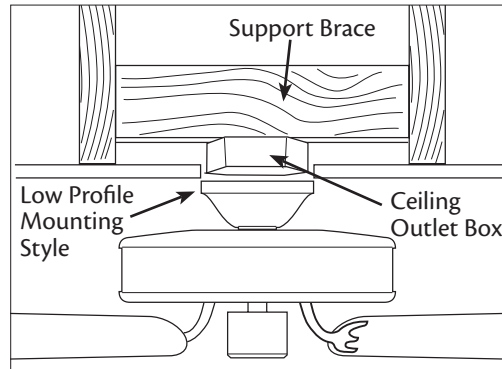
### Understanding Mounting and Installer's Choice®

Hunter's patented 3-position mounting system provides you maximum installation flexibility and ease. You can install your Hunter fan in one of three ways, depending on ceiling height and your preference: Low Profile, Standard, or Angled mounting. The steps in this manual include instructions for all three Installer's Choice mounting methods.

### Considering Optional Accessories

Consider using Hunter's optional accessories, including a wall-mounted or remote speed control. To install and use the accessories, follow the instructions included with each product. For quiet and optimum performance of your Hunter fan, use only Hunter speed controls.

For ceilings higher than 8 feet, you can purchase Hunter extension downrods. All Hunter fans use sturdy 3/4" diameter pipe to assure stability and wobble-free performance.



**Low Profile Mounting** fits close to the ceiling, recommended for ceilings less than 8 feet high

**▲ CAUTION:** To reduce the risk of personal injury, attach the fan directly to the support structure of the building according to these instructions, and use only the hardware supplied.

## 1 • Getting Ready

To install a ceiling fan, be sure you can do the following:

- Locate the ceiling joist or other suitable support in ceiling.
- Drill holes for and install wood screws.
- Identify and connect electrical wires.
- Lift 40 pounds.

If you need help installing the fan, your Hunter fan dealer can direct you to a licensed installer or electrician.

### Gathering the Tools

You will need the following tools for installing the fan:

- Electric drill with 9/64" bit
- Standard screwdriver (magnetic tip recommended)
- Phillips-head screwdriver (magnetic tip recommended)
- Wrench or pliers
- Ladder (height dependent upon installation site)

### Checking Your Fan Parts

Carefully unpack your fan to avoid damage to the fan parts. Refer to the included Parts Guide. Check for any shipping damage to the motor or fan blades. If any parts are missing or damaged, contact your Hunter dealer or call Hunter Technical Support Department at 888-830-1326 (In Canada, call 1-866-268-1936).

### Preparing the Fan Site

Before you begin installing the fan, follow all the instructions in the pullout sheet called "Preparing the Fan Site." Proper ceiling fan location and attachment to the building structure are essential for safety, reliable operation, maximum efficiency, and energy savings.

#### **Installing Multiple Fans?**

If you are installing more than one fan, keep the fan blades and blade irons (if applicable) in sets, as they were shipped.

## 2 • Installing the Ceiling Plate

**⚠ CAUTION:** To avoid possible electrical shock, before installing your fan, disconnect the power by turning off the circuit breakers to the outlet box and associated wall switch location. If you cannot lock the circuit breakers in the off position, securely fasten a prominent warning device, such as a tag, to the service panel.

2-1. Drill two pilot holes into the wood support structure through the outermost holes in the outlet box. The pilot holes should be  $9/64$ " in diameter.

**For Angled Ceilings:** Be sure to orient the ceiling plate so that the two tabs are pointing toward the ceiling peak.

2-2. Your fan comes with four preinstalled noise isolators. Check to make sure all four isolators are in place and were not removed during shipment.

2-3. Place a flat washer on each of the two 3" wood screws.

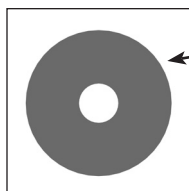
2-4. Thread the supply wires from the outlet box in the ceiling through the hole in the center of the ceiling plate.

2-5. Align the slotted holes in the ceiling plate with the pilot holes you drilled in the wood support structure. For proper alignment use slotted holes directly across from each other.

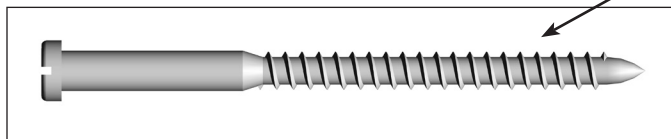
**Note:** The isolators should be flush against the ceiling.

2-6. Pass the screws through the slotted holes in the ceiling plate into the pilot holes you drilled.

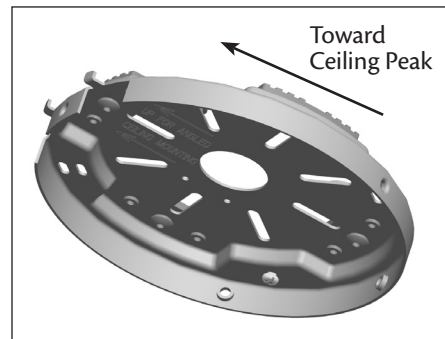
Tighten the screws into the  $9/64$ " pilot holes; do not use lubricants on the screws. Do not over tighten.



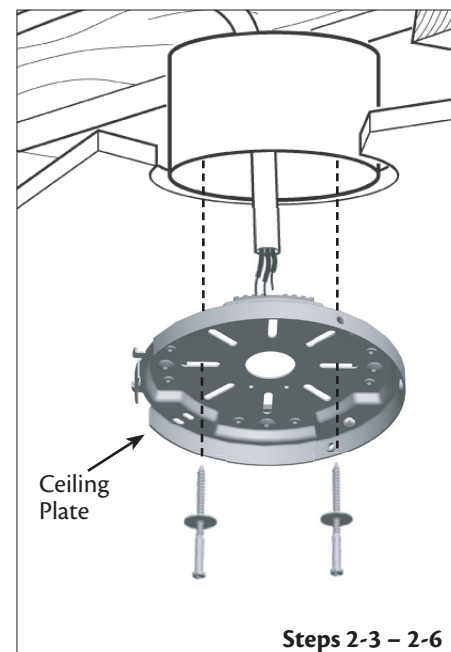
Flat Washer



3" Wood Screw



**For Angled Ceilings:** Be sure to orient the ceiling plate so that the two tabs are pointing toward the ceiling peak.



### 3 • Assembling and Hanging the Fan

**▲ WARNING:** Fan may fall if not assembled as directed in these installation instructions.

3-1. Unbundle the wires from the fan and remove the paper caution tag. Do not discard the tag until your installation is complete.

#### For Standard or Angled mounting:

3-2. To assemble fan to hang down from a flat or angled ceiling, insert the downrod through the canopy, adapter cover grommet, adapter cover, and canopy trim ring. (The adapter cover and adapter cover grommet may already be attached to make one piece.) Feed the wires from the fan through the downrod.

3-3. Using the provided Allen wrench, loosen the setscrew on the adapter to install the pipe and ball assembly. **Note:** When the pipe and ball assembly is fully installed, 2-3 threads on the pipe will still be visible; this is normal. Use the Allen wrench to securely retighten the setscrew. Skip to Step 4-1.

**▲ CAUTION:** The adapter has a special coating on the threads. Do not remove this coating; the coating prevents the downrod from unscrewing. Once assembled, do not remove the downrod.

#### For Low Profile mounting:

**Note:** For low profile mounting, the downrod is replaced with the low profile washer. The adapter cover and adapter cover grommet are not used for low profile mounting.

3-4. Remove the set screw from the adapter.

3-5. Place the low profile washer (lip up) into the canopy. Be sure the green ground wire is pointing up toward the ceiling.

3-6. Align the holes in the washer with the holes in the adapter. Assemble securely with three low profile screws.

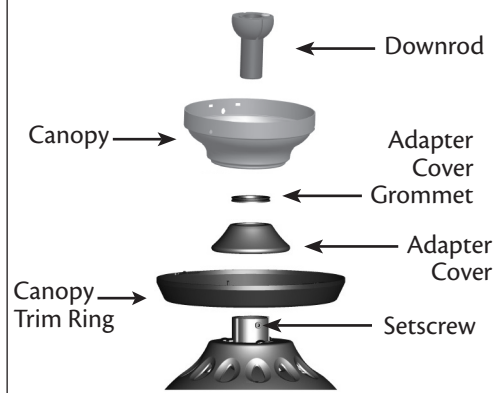
#### Hanging the Fan:

**Note:** To hang the fan, you must tilt the canopy to an almost vertical position so that the canopy slots sit on the ceiling plate hooks.

3-7. Raise the fan and align the slots in the canopy with the hooks on the ceiling plate.

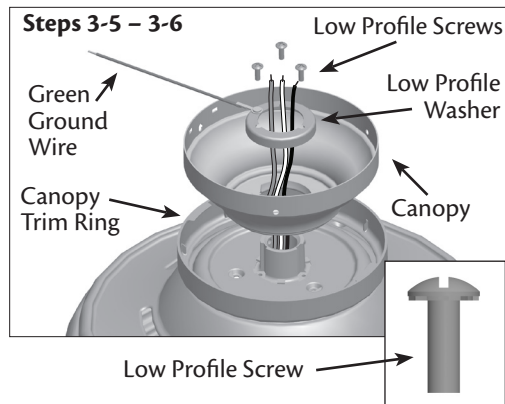
3-8. Place the slots over the hooks to hang the fan.

#### Steps 3-2 – 3-3

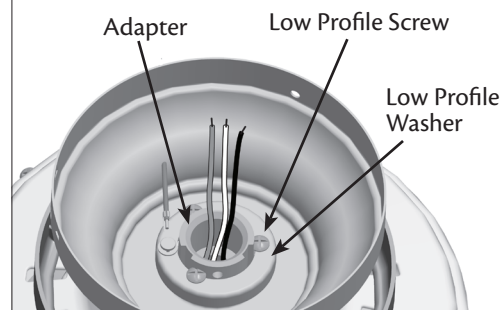


#### Low Profile Mounting

#### Steps 3-5 – 3-6



#### Step 3-6 (Detail)



## 4 • Setting the Remote Transmitter and Receiver

You must now set the jumpers in the remote transmitter and receiver so that they match.

- 4-1. Change the position of the jumpers in the transmitter and the receiver. Be sure the position of the jumper in the transmitter matches the position of the jumper in the receiver. If they don't match, the controller will not function. For instructions on how to set the jumpers, read the box below.
- 4-2. Install the included 12-volt battery into the transmitter.

### Setting Jumpers

When two or more fans are located near each other, you may desire to have the receiver/transmitter for each fan set to a different code, so that the operation of one fan does not affect the operation of the other fans.

In the transmitter you can access the jumpers from the battery compartment. The jumpers are very small. You can move them most easily using a small pair of pliers or tweezers. **IMPORTANT!** Before you change a jumper, make sure the battery is not connected to the transmitter.

**CAUTION:** The remote control device complies with part 15 of the FCC rules. Changes or modifications not expressly approved by Hunter Fan Company could void your authority to operate this equipment.

Operation is subject to the following two conditions:

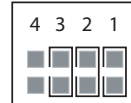
1. This device may not cause harmful interference.
2. This device must accept any interference received, including interference that may cause undesired operation.

**Note:** Use with a fan that incorporates an air gap switch (normal on-off wall switch).

**WARNING:** Maximum fan load is 1 Amp; maximum lamp is 100 Watts. Do not use any speed control with this product.

### Example Jumpers Settings

Receiver 1

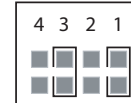


Transmitter 1

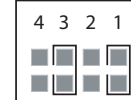


4 = off (apagado)  
3 = on (encendido)  
2 = on (encendido)  
1 = on (encendido)

Receiver 2

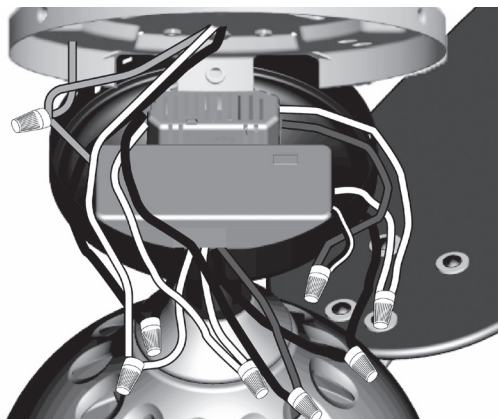


Transmitter 2



4 = off (apagado)  
3 = on (encendido)  
2 = off (apagado)  
1 = on (encendido)

## 5 • Wiring the Fan



**All wiring must be in accordance with national and local electrical codes and ANSI/NFPA 70. If you are unfamiliar with wiring, use a qualified electrician.**

- 5-1. Make sure the power is still off.
- 5-2. To connect the wires, hold the bare metal leads together and place a wire connector over them, then twist clockwise until tight. For all these connections use the wire connectors provided.

**▲ CAUTION:** Be sure no bare wire or wire strands are visible after making connections.

- 5-3. Using a large wire connector, connect the ground wire from the ceiling to the green ground wire from the ceiling plate and the green ground wire from the downrod.
- 5-4. Using the large wire connectors, connect the white wire and the black wire from the ceiling as follows:
  - The white (common) power wire from the ceiling to the white wire from the receiver (marked on red tag "NEUTRAL IN")
  - The black power wire from the ceiling to the black wire from the receiver (marked on red tag "LIVE IN")
- 5-5. Using the small wire connectors, connect the wires from the fan as follows:
  - The black/white wire from the fan to the red wire from the Federally regulated limiter (marked on white tag "LIGHT OUT")
  - The black wire from the fan to the black wire from the receiver (marked on white tag "FAN OUT")
  - The white wire from the fan to the white wire from the limiter (marked on white tag "COMMON OUT")
- 5-6. Check each connection to make sure no bare wire or wire strands are visible. Push all wires and wire connectors, except for the white antenna wire from the receiver, back through the ceiling plate into the outlet box.
- 5-7. Position the receiver in the canopy so that the antenna is close to the edge of the ceiling plate for clear reception.



## 6 • Installing the Canopy and Canopy Trim Ring

**⚠ WARNING:** Failure to complete the following steps could cause the fan to fall.

**Note:** It is recommended you use a magnetic tip screwdriver for the following steps.

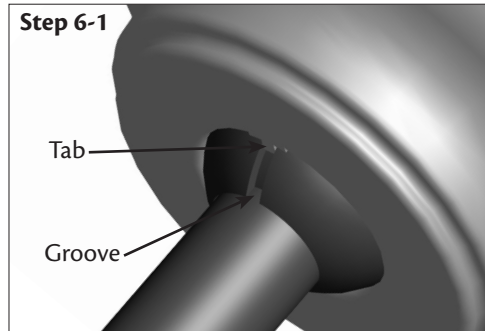
- 6-1. Rotate the hanger ball so the tab in the canopy is secure in the hanger ball groove. **Note:** Your fan may have multiple tabs and grooves that must be aligned.
- 6-2. Swing the fan up to align the canopy screw holes with the mounting holes on the ceiling plate.

**⚠ WARNING:** The slots in the canopy must remain engaged while swinging the canopy for alignment.

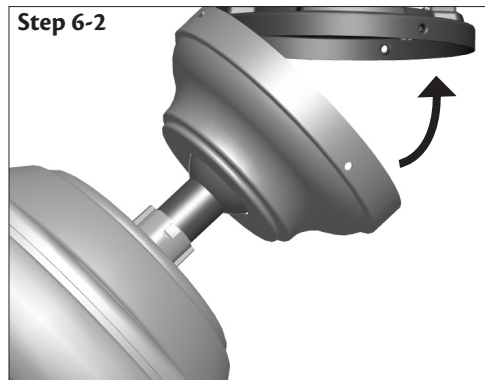
- 6-3. Holding the canopy up with the screw holes aligned, partially install two canopy screws into the holes opposite the ceiling plate tabs.
- 6-4. Partially install a canopy screw into the hole between the two ceiling plate tabs. When all the holes are properly aligned, securely tighten all three canopy screws.
- 6-5. Verify that the tabs in the canopy are still in the grooves of the hanger ball.
- 6-6. Align the tabs on the trim ring opposite the grooves in the hanger ball. Using both hands, push the canopy trim ring up to the top of the canopy. The canopy trim ring will snap and lock into place.

**Note:** Should you need to remove the trim ring, press firmly on opposite sides of the trim ring directly above the groove in the hanger ball. The tabs will flex out releasing the canopy trim ring.

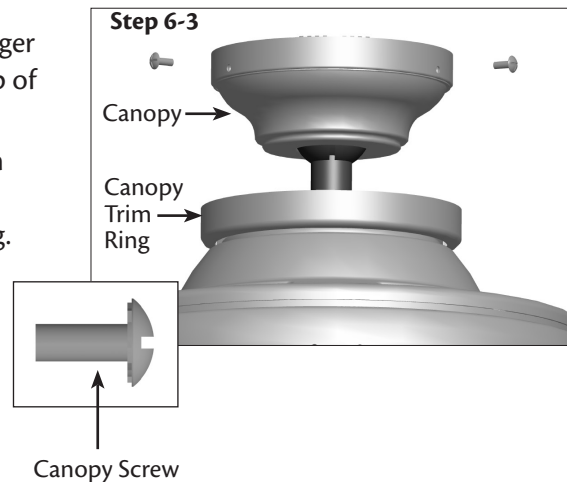
Step 6-1



Step 6-2



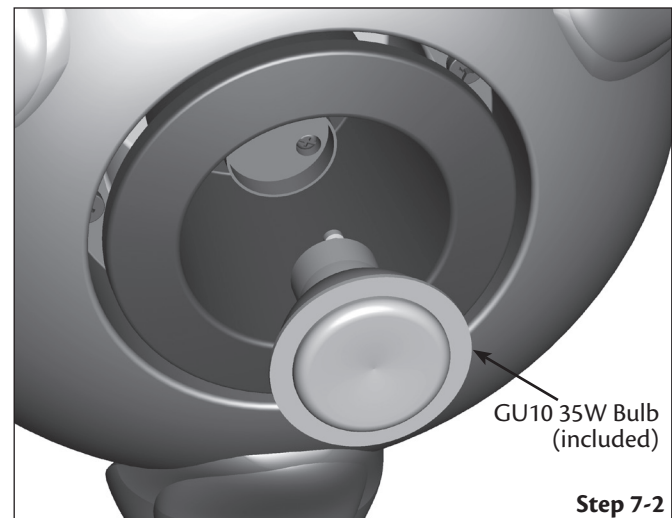
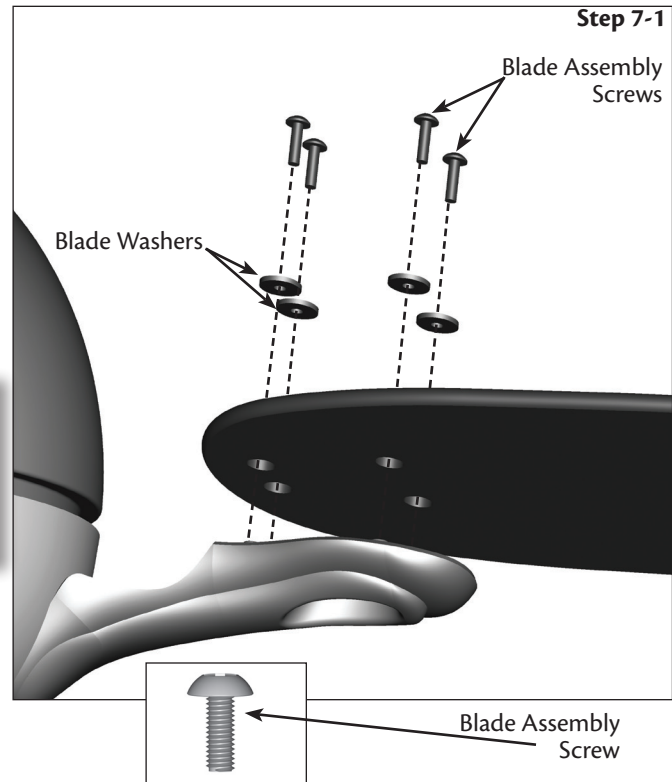
Step 6-3



## 7 • Installing the Blades and Bulb

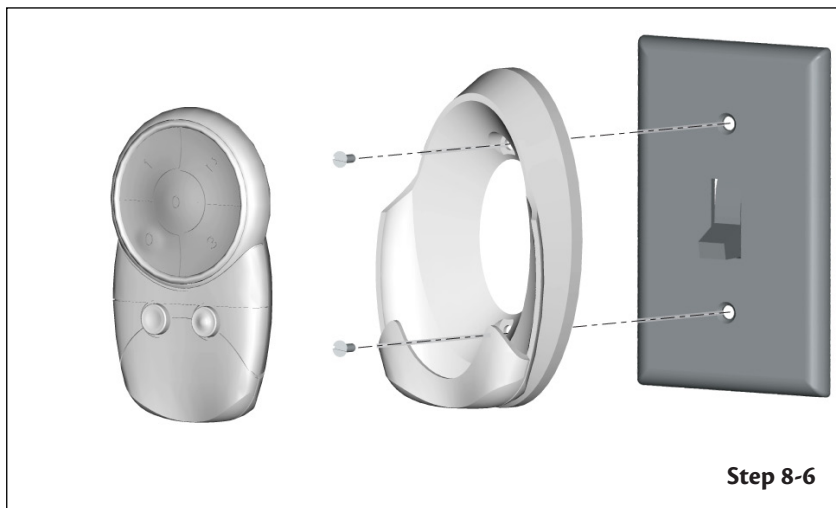
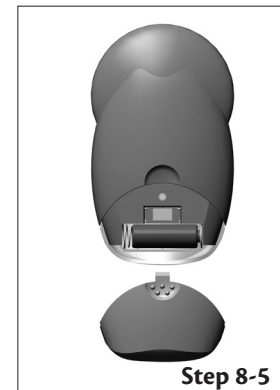
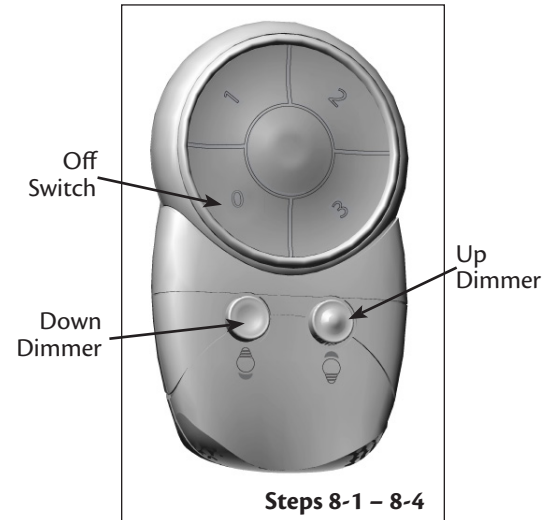
- 7-1. Attach each blade to a blade iron using four blade washers and four blade assembly screws.
- 7-2. Insert the pins of the included GU10, 35-Watt, halogen light bulb into the holes of the lamp socket. Turn the bulb clockwise to secure it into place.
- 7-3. Check the position of the bulb to make sure it is not off-center. If it looks crooked, uninstall the bulb. Then, flip the bulb so the pins match up the opposite way, and reinstall the bulb.

**Note:** In compliance with US federal energy regulations, this ceiling fan contains a device that restricts the light kit to a maximum of 190 Watts. Exceeding that limit or the marked limit on this product may result in fire hazard or improper operation.



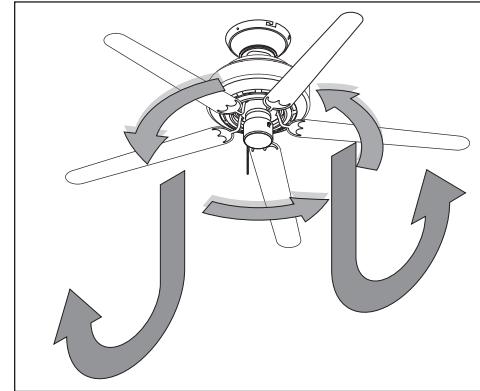
## 8 • Operating the Remote Control and Mounting the Holder

- 8-1. The remote transmitter has four numerical buttons:
- 0 = Off
  - 1 = Low speed
  - 2 = Medium speed
  - 3 = High speed
- 8-2. For best operation, start the fan by pressing 3 (high), and then select your desired speed.
- 8-3. The up dimmer turns the light on and can be used to increase the brightness if the light is already on.
- 8-4. The down dimmer turns the light off. You can also use it to dim the light.
- 8-5. When necessary, replace the battery with a 12-volt type 23A, MN-21 battery or equivalent. The battery compartment is on the back.
- 8-6. You can mount the remote holder to any toggle switch plate with the screws already in the switch plate. Or, you can simply mount the remote holder on the wall.

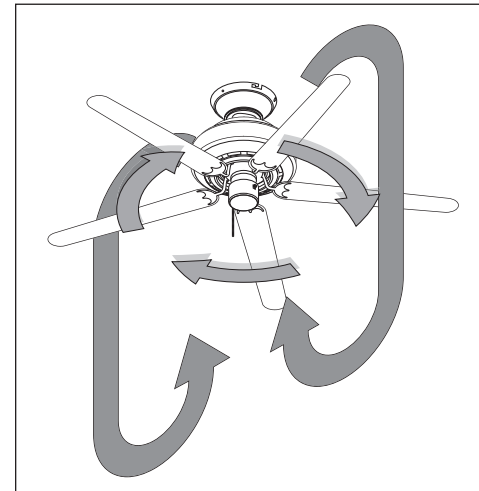


## 9 • Operating and Cleaning Your Ceiling Fan

- 9-1. Turn on electrical power to the fan.
- 9-2. The remote controls power to the fan. The fan has four settings in sequence: High, Medium, Low and Off.
- 9-3. Ceiling fans work best by blowing air downward (counterclockwise blade rotation) in warm weather to cool the room with a direct breeze. In winter, having the fan draw air upward (clockwise blade rotation) will distribute the warmer air trapped at the ceiling around the room without causing a draft.
- 9-4. For cleaning finishes, use a soft brush or lint-free cloth to prevent scratching. A vacuum cleaner brush nozzle can remove heavier dust. Remove surface smudges or accumulated dirt and dust using a mild detergent and a slightly dampened cloth. You may use an artistic agent, but never abrasive cleaning agents as they will damage the finish.
- 9-5. Clean wood finish blades with a furniture polishing cloth. Occasionally, apply a light coat of furniture polish for added protection and beauty. Clean painted and high-gloss blades in the same manner as the fan finish.



**In warm weather,** use downward air flow pattern

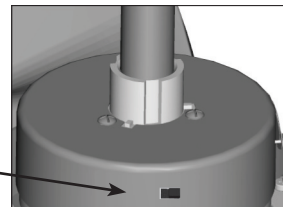


**In cold weather,** use upward air flow pattern

### To Change Airflow Direction

Turn the fan off and let it come to a complete stop. Slide the reversing switch on the fan to the opposite position. Restart fan.

Reversing  
Switch



## 10 • Troubleshooting

**Problem: Nothing happens; fan does not move.**

1. Turn power on, replace fuse, or reset breaker.
2. Loosen canopy, check all connections according to the wiring the fan section.
4. Push motor reversing switch firmly left or right to ensure that the switch is engaged.

**Problem: Noisy operation.**

1. Tighten the blade assembly screws until snug.
2. Check to see if the blade is cracked. If so, replace all the blades.

**Problem: Excessive wobbling.**

1. If your fan wobbles when operating, use the enclosed balancing kit and instructions to balance the fan.
3. Turn power off, support fan very carefully, and check that the hanger ball is properly seated.

**Problem: Lights dim when turned on or do not turn on**

1. Check to make sure wattage of light bulbs installed match the specifications on the light socket.

**Problem: If the light on this fan shuts off suddenly.**

1. Turn the power to the fan off at the wall switch. Wait 30 seconds, then resume power to the fan.

If you need parts or service assistance, please call 888-830-1326 (In Canada, call 1-866-268-1936) or visit us at our Web site at <http://www.hunterfan.com>.

Hunter Fan Company  
7130 Goodlett Farms Pkwy. #400  
Memphis, Tennessee 38016