

REPLACING THE REMOTE CONTROL

To ensure that Human Touch® products are repaired in a manner that is fully consistent with the practices used during the manufacturing process, Human Touch requires that all product repairs are performed using only factory-new parts and in accordance with these product repair instructions.

SERVICE LEVEL: 1

Tools Required: Phillips-head screwdriver

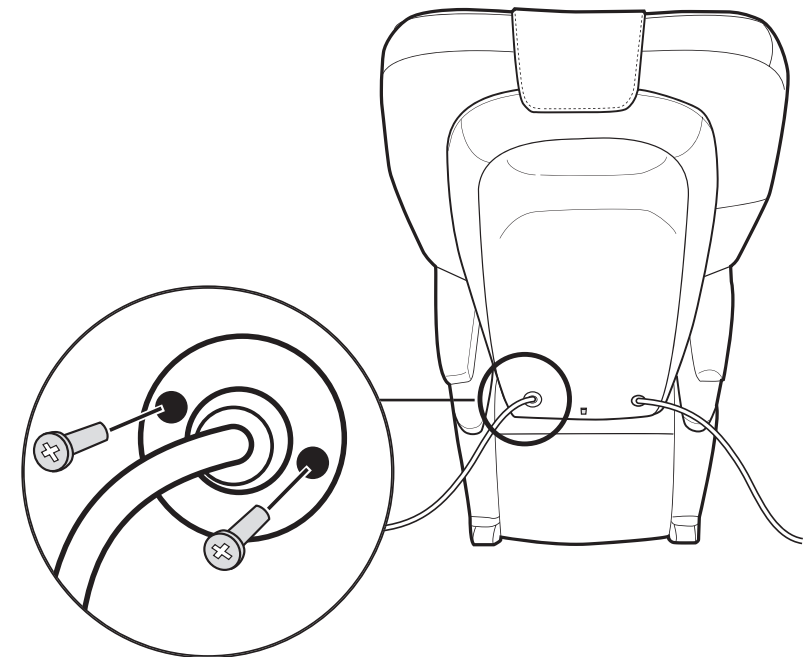
NOTE: SAVE ALL SCREWS FOR USE DURING REASSEMBLY.

REMOVING THE REMOTE CONTROL

1. Power off the chair and unplug it.
2. Locate the remote control connection to the backrest cover (Fig.1).
3. Using a Phillips-head screwdriver, remove the two screws that secure the remote control cord to the backrest cover.
4. Pull the remote control cables through the backrest cover, then disconnect the cables.

INSTALLING THE NEW REMOTE CONTROL

1. Connect the new remote control cables to the backrest remote control cables, then push the cables into the backrest.
2. Using a Phillips-head screwdriver, replace the two screws that secure the remote control cord to the backrest cover.
3. Power on the chair and verify that the new remote control works properly.



Remote control cable

(Fig.1)