



REPLACING THE MASSAGE MECHANISM AND/OR PCB BOX

To ensure that Human Touch® products are repaired in a manner that is fully consistent with the practices used during the manufacturing process, Human Touch requires that all product repairs are performed using only factory-new parts and in accordance with these product repair instructions.

SERVICE LEVEL: 3

Tools Required: Nail clipper or other instrument suitable for cutting zip ties, one large zip tie, Phillips-head screwdriver

SAVE ALL REMOVED PARTS FOR USE DURING REASSEMBLY

REMOVING THE MASSAGE MECHANISM AND/OR PCB BOX

1. Power off the chair and unplug it.



2. Press the backrest lever to release the backrest, then tip the backrest gently forward until it rests on the seat (Fig.1).
3. Open the backrest zippers, then flip the backrest cover forward (Fig.2).
4. Using a nail clipper, or other instrument suitable for cutting zip ties, cut the zip tie that secures the PCB connector junction box covers (Fig.2).
5. Pull the PCB box and connector junction box out of the backrest, and rest them on top of the foam pad (Fig.3).
6. Remove the junction box cover, exposing the two connectors, then disconnect both connectors (Fig.4).

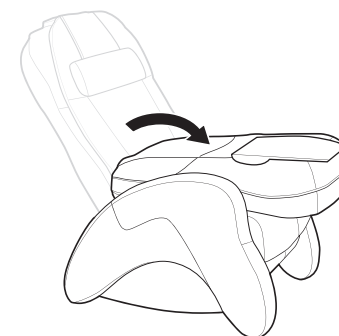
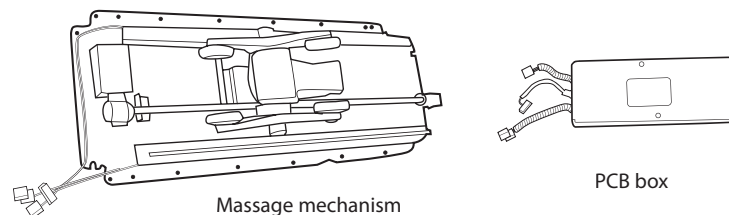


Fig.1

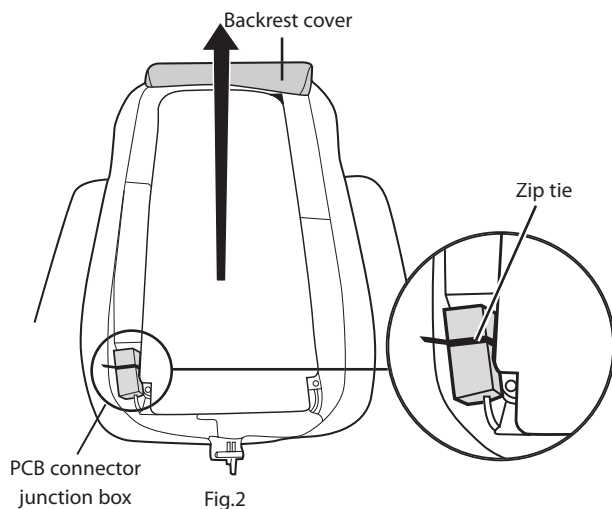


Fig.2

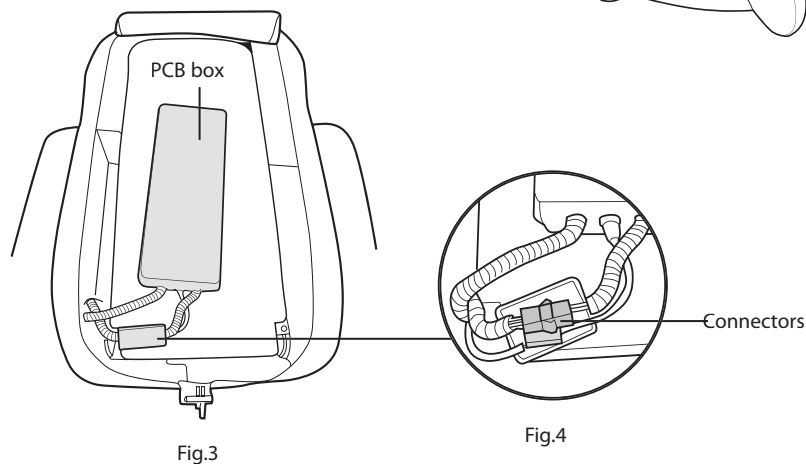


Fig.3

Fig.4

7. Place the PCB box gently on the floor behind the chair, then remove the foam pad to expose the massage mechanism (Fig.5).
8. Using a Phillips-head screwdriver, remove the 12 screws/washers that secure the massage mechanism to the chair (Fig.5).
9. Pull the massage mechanism up and out of the backrest, turn it over, then rest it on the backrest facing upward (Fig.6).
10. Disconnect the four connectors that connect the massage mechanism to the PCB box, then remove the PCB box from the chair.
11. If you are replacing the massage mechanism, remove the massage mechanism from the chair.

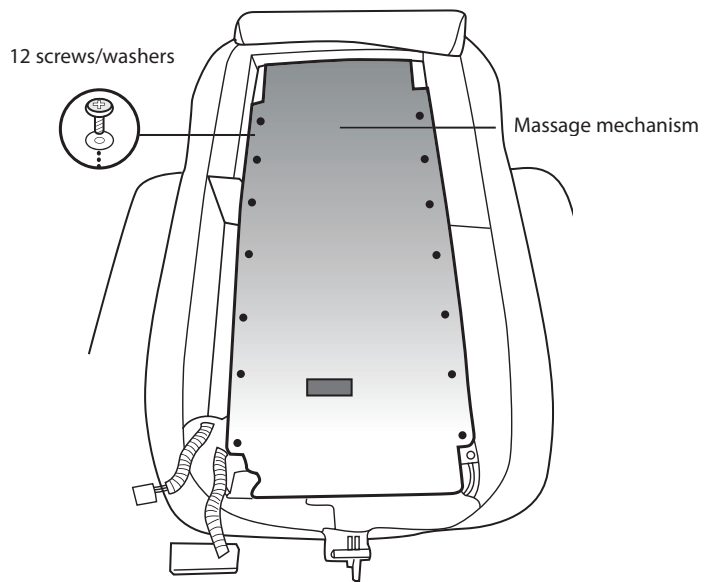


Fig.5

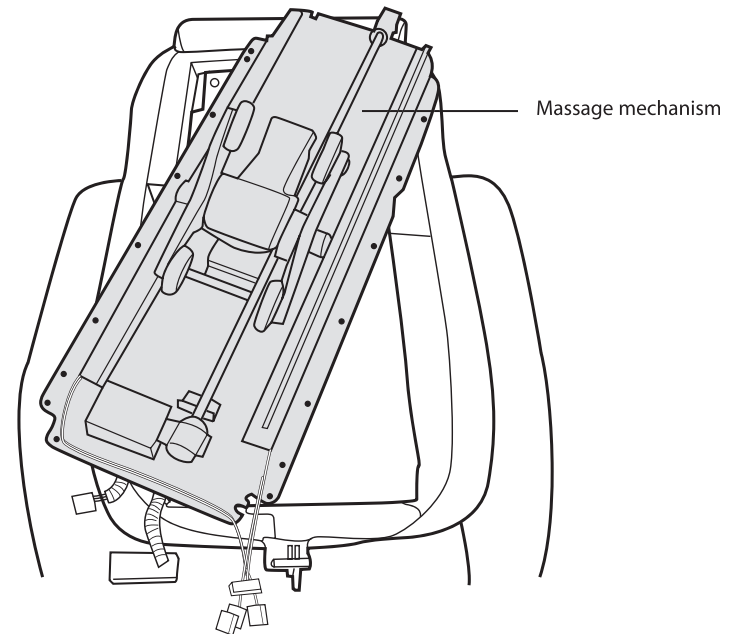


Fig.6

INSTALLING THE MASSAGE MECHANISM AND/OR PCB BOX

1. Place the PCB box behind the chair, next to the left-hand chair leg (Fig.7).
2. If you are replacing the massage mechanism, place the new massage mechanism on top of the backrest, face up, as shown (Fig.8).
3. Feed the PCB box cable harness that contains four connectors underneath the backrest frame, then connect the four connectors to the corresponding connectors on the massage mechanism (Fig.9).

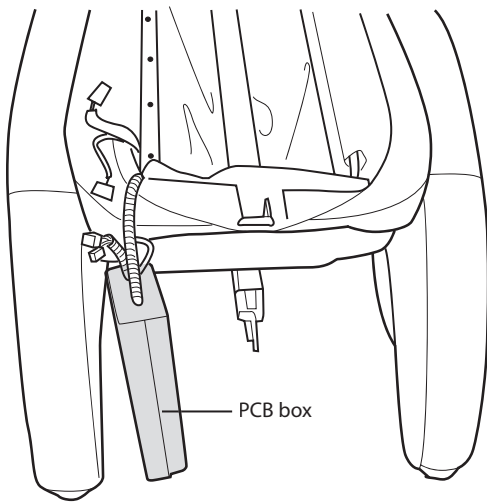


Fig.7

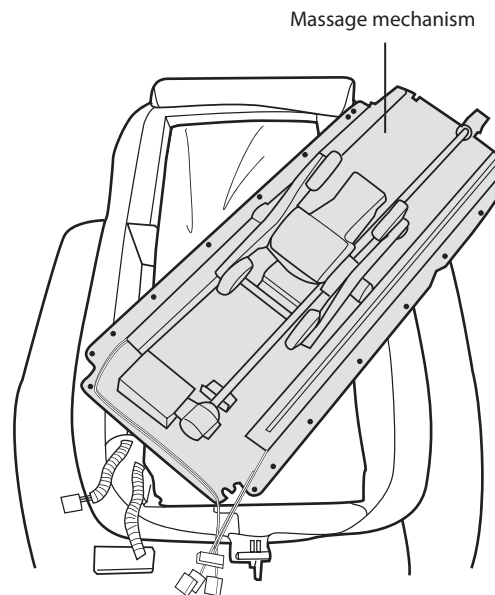


Fig.8

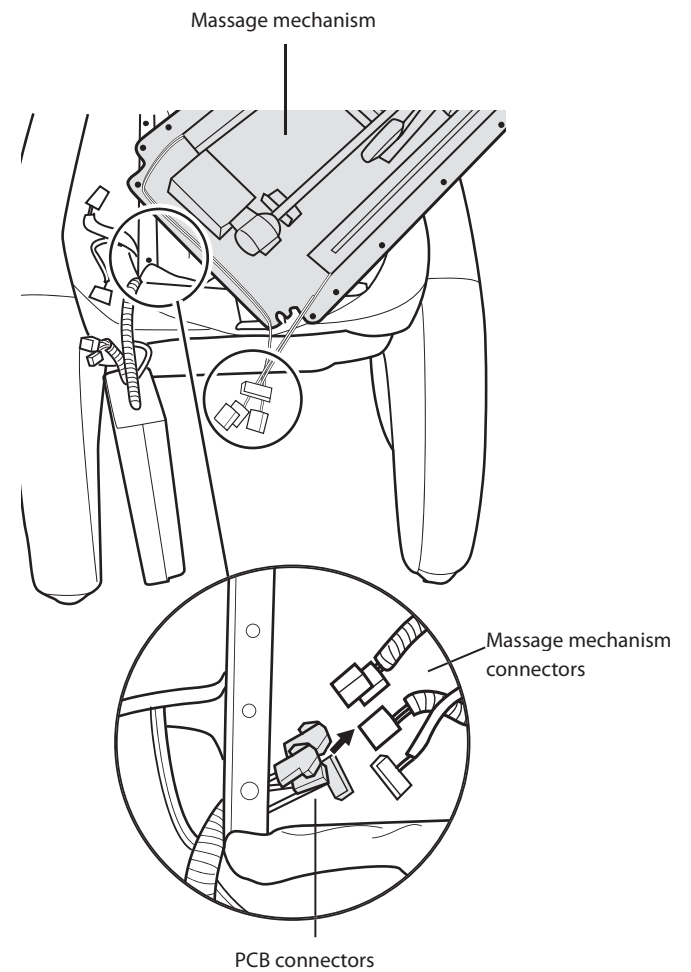


Fig.9

4. Turn the massage mechanism over so the flat side is facing upward, then place it gently into the backrest frame (Fig.10).
5. Secure the massage mechanism to the backrest using a Phillips screwdriver and the twelve screws/washers.
6. Connect the remaining two PCB box connectors to the corresponding connectors on the backrest.
7. Place the two sets of connectors inside the PCB connector junction box, snap the box shut, then secure it using a new zip tie (Fig.2 and Fig.3).
8. Place the PCB box between the massage mechanism and the left-hand side of the backrest (Fig.11).
9. Push the PCB connector junction box down into the backrest, then tuck the cable harnesses into the backrest (Fig.11).
10. Place the foam pad on top of the massage mechanism (Fig.12).
11. Close the backrest zipper.
12. Gently pull up on the backrest to return it to an upright position (Fig.13).
13. Plug in the chair, power it on, then verify that it is now working properly.

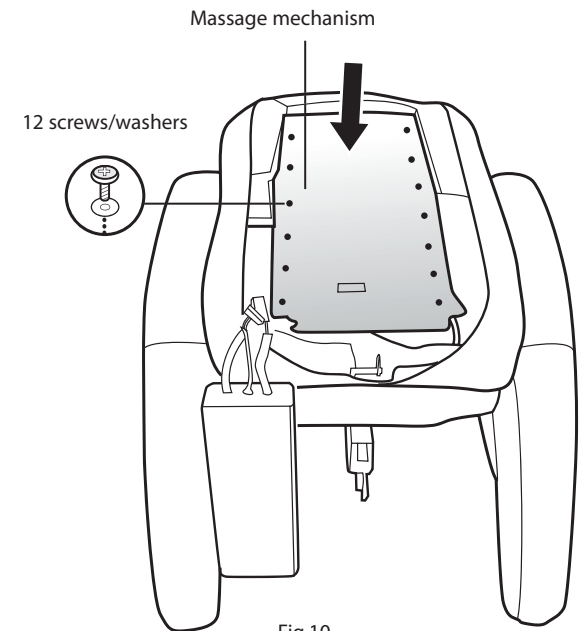


Fig.10

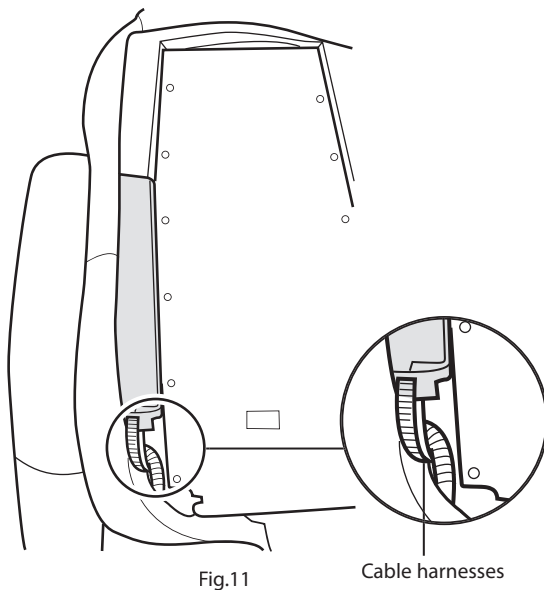


Fig.11

Cable harnesses

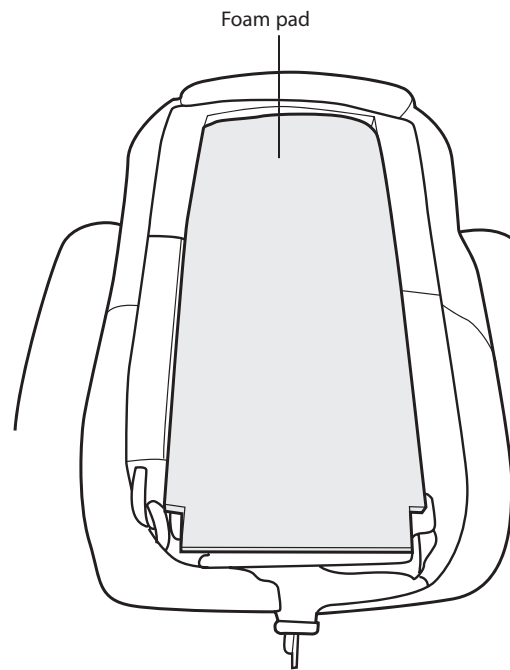


Fig.12

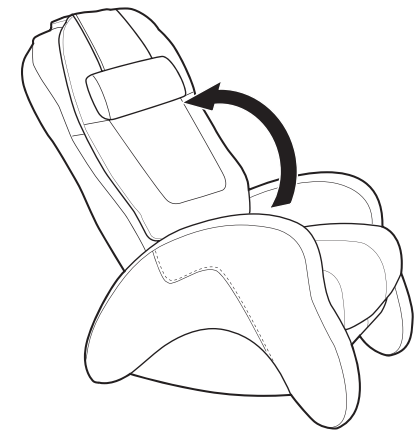


Fig.13