

HYDRA-RIB™

A Huffy Company

WRITE IN YOUR MODEL NUMBER: _____

Portable Basketball System with Elevator *Owner's Manual*

Customer Service Center • N53 W24700 South Corporate Circle • Sussex, WI 53089 • U.S.A.

IMPORTANT! In U.S. and Canada only: Have questions?...don't go back to the store!

We appreciate your purchasing one of our many fine products. We are sure that you will be very satisfied with your selection. Although great care and effort have been taken, occasionally problems may occur. To ensure prompt and correct handling of any problems, or to answer any questions, please contact our Toll-Free Customer Service Number listed below. Service will be quicker if you have your Model Number (found on carton) and assembly instructions ready when calling. PLEASE WRITE YOUR MODEL NUMBER IN THE SPACE PROVIDED ABOVE.

SAFETY INSTRUCTIONS

FAILURE TO FOLLOW THESE SAFETY INSTRUCTIONS MAY RESULT IN SERIOUS INJURY, PROPERTY DAMAGE AND WILL VOID WARRANTY.

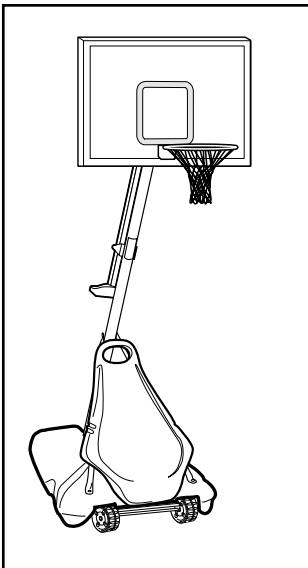
Owner must ensure that all players know and follow these rules for safe operation of the system.

To ensure safety, do not attempt to assemble this system without following the instructions carefully. Proper and complete assembly, use and supervision is essential for proper operation and to reduce the risk of accident or injury. A high probability of serious injury exists if this system is not installed, maintained, and operated properly. Check entire box and inside all packing material for parts and/or additional instructional material. Before beginning assembly, read the instructions and identify parts using the hardware identifier and parts list in this document.

- If using a ladder during assembly, use extreme caution.
- Two (2) people are recommended for this operation.
- Check base regularly for leakage. Slow leaks could cause system to tip over unexpectedly.
- Seat the pole sections properly (if applicable). Failure to do so could allow the pole sections to separate during play and/or transport of the system.
- Climate, corrosion or misuse could result in system failure.
- Minimum operational height is 6'6" (1.98 m) to the bottom of backboard.
- This equipment is intended for home recreational use only and NOT excessive competitive play.
- Read and understand the warning label affixed to pole. Label is shown on page 1.
- The life of your basketball pole depends on many conditions. The climate, placement of the pole, the location of the pole, exposure to corrosives such as pesticides, herbicides or salts are all important.
- If technical assistance is required, contact Huffy Sports.
- Adult supervision is recommended when adjusting height.

Most injuries are caused by misuse and/or not following instructions. Use caution when using this system.

For more information on assembly, placement, proper use and maintenance, visit The American Basketball Council website at <http://www.smarthoops.com>.



REQUIRED TOOLS AND MATERIALS:

- Two People
- Tape Measure
- Wood Board (Scrap)
- Wrenches: (Two) 7/16, 1/2, 9/16, 3/4, (9/16 Deep Socket w/Ext. Recommended); (One) 3/8 or small adjustable wrench; (One) 1/4 or small adjustable wrench
- Sawhorse or Support Table
- Step Ladder 8 ft. (2.4 m)
- Garden Hose or Sand (300-325 lb.) (136-147 kg)
- Hammer
- Tape
- Needle Nose Pliers
- Safety Goggles

NOTICE TO ASSEMBLERS

ALL Huffy Sports basketball Systems, including those used for **DISPLAYS**, **MUST** be assembled and ballasted with sand or water according to instructions. Failure to follow instructions could result in **SERIOUS INJURY**. It is **NOT** acceptable to devise a makeshift weight system.

85

HEIGHT ADJUSTMENT

TO ADJUST BACKBOARD:

1. Grasp handle and depress lever.
2. Push toward pole while holding lever. Raise or lower to desired height while pushing forward on handle.
3. Release handle making sure that horizontal pin is locked into slot.

MOVING SYSTEM

1. Adjust basketball backboard height to lowest position.
2. Rotate handle forward until wheels engage ground.
3. Move basketball system to desired location.
4. Rotate handle back to original position.
5. Reattach ground restraint and check system for stability.

211249 02/00

The NBA and individual NBA member team identifications reproduced on this product are trademarks and copyrighted designs, and/or other forms of intellectual property, that are the exclusive property of NBA Properties, Inc. and the respective NBA member teams and may not be used, in whole or in part, without the written consent of NBA Properties, Inc.

WARNING

FAILURE TO FOLLOW THESE WARNINGS MAY RESULT IN SERIOUS INJURY AND/OR PROPERTY DAMAGE.

Owner must ensure that all players know and follow these rules for safe operation of the system.

- DO NOT HANG on the rim or any part of the system including backboard, support braces or net.
- During play, especially when performing dunk type activities, keep player's face away from the backboard, rim and net. Serious injury could occur if teeth/face come in contact with backboard, rim or net.
- Do not slide, climb, shake or play on base and/or pole.
- After assembly is complete, fill system completely with water or sand and stake to the ground. Never leave system in an upright position without filling base with weight, as system may tip over causing injuries.
- When adjusting height or moving system, keep hands and fingers away from moving parts.
- Do not allow children to move or adjust system.
- During play, do not wear jewelry (rings, watches, necklaces, etc.). Objects may entangle in net.
- Surface beneath the base must be smooth and free of gravel or other sharp objects. Punctures cause leakage and could cause system to tip over.
- Keep organic material away from pole base. Grass, litter, etc. could cause corrosion and/or deterioration.
- Check pole system for signs of corrosion (rust, pitting, chipping) and repaint with exterior enamel paint. If rust has penetrated through the steel anywhere, replace pole immediately.
- Check system before each use for proper ballast, loose hardware, excessive wear and signs corrosion and repair before use.
- Check system before each use for instability.
- Do not use system during windy and/or severe weather conditions; system may tip over. Place system in the storage position and/or in an area protected from the wind and free from personal property and/or overhead wires.
- Never play on damaged equipment.
- See instruction manual for proper installation and maintenance.
- When moving system, use caution to keep mechanism from shifting.
- Keep pole top covered with cap at all times.
- Do not allow water in tank to freeze. During sub-freezing weather add non-toxic antifreeze, sand or empty tank completely and store. (Do not use salt.)
- While moving system, Do not allow anyone to stand or sit on base or have added ballasting on base.
- Do not leave system unsupervised or play on system when wheels are engaged for moving.
- Use Caution when moving system across uneven surfaces. System may tip over.
- Use extreme caution if placing system on sloped surface. System may tip over more easily.

HYDRA-RIB™

In the U.S.: 1-800-334-9111 200189 02/00

PARTS LIST (See Hardware Identifier)

<u>Item</u>	<u>Qty.</u>	<u>Part No.</u>	<u>Description</u>	<u>Item</u>	<u>Qty.</u>	<u>Part No.</u>	<u>Description</u>
1	1	914822	Top Pole Section, Black	47	1	206990	Reinforcement Bracket
2	1	904811	Middle Pole Section, Black	48	1	204811	Spring Cover, Handle Left Side
3	1	903407	Bottom Pole Section, Black	49	1	204812	Spring Cover, Handle Right Side
4	1	200188	Rod, 3/8 x 5-1/4 Long Zinc	50	1	206263	Bolt, Carriage, 5/16-18 x 3 Long
5	1	202822	Eyebolt, 3/8-16 x 3-3/4 Long	51	2	201129	Spacer, Metal, .5 O.D. x .402 I.D. x 1.8 Long
6	1	200117	Tank	52	2	201088	Board Bracket
7	1	203124	Stake, Tie Down	53	1	240017	Bolt, Hex Head, 1/4-20 x 2-1/4 Long
8	6	203063	Locknut, Nylon Insert, 3/8-16	54	1	206360	Bolt, Hex Head, 3/8-16 x 2.625 Long
9	2	906410	Struts, Base	55	1	203493	Locknut, Hex Centerlock, 1/4-20
10	1	202662	Bolt, 5/16-18 x 4-1/2 Long	56	2	904821	Elevator Tube, Lower (Long)
11	11	203218	Washer, Flat, 5/16 x 7/8 O.D.	57	6	204847	Bolt, Hex Head, 1/2-13 x 9-1/2 Long
12	1	203220	Locknut, Nylon Insert, 5/16-18	58	7	206340	Locknut, Hex Head, 1/2-13
13	1	200516	Vinyl, bolt cover, 5/16	59	4	201682	Spacer, Black, .56 I.D. x .683 O.D. x 1.88 Long
14	2	203798	Bolt, Hex Flange, 5/16-18 x 1-1/2 Long	60	4	201611	Bolt, Hex Flange, 5/16-18 x 3 Long
15	19*	203100	Locknut, Whiz, 5/16-18	61	1	920262	Bracket - Orange
16	1	203223	Bolt, Carriage 5/16-18 X 1.00" Long	62	1	203274	Foam Pad, 3/32 Thick, 5 x 5
17	2	226401	Wheel 4" Diameter	63	2	904807	Elevator Tubes, Upper (Short)
18	1	200123	Upper Pivot Bracket	64	1	207103	Pole Cap
19	1	200512	Bolt, Hex Head, 3/8-16 x 3-1/2 Long	65	1	201139	Bolt, Hex Head, 1/2-13 x 4.5 Long
20	16*	203232	Washer, 3/8 I.D., x 3/4 O.D.	66	2	201654	Triangle Plate
21	1	206252	Bolt, Hex Head, 3/8-16 x 1 Long	67	8	202862	Spacer, Plastic, 1/2 I.D., 1-1/4 Long
22	1	206948	Lower Pivot Bracket	68	2	204837	Spring
23	1	203330	Bolt, Hex Head, 3/8-16 x 4-1/2 Long	69	1	220065	Bolt, Carriage, 3/8-16 x 5.5 Long
24	2	200122	Hinge Tubes	70	1		Rim
25	1	906608	Wheel Bracket	71	1	203474	Washer, Flat, 1 O.D.
26	4	203103	Bolt, Carriage, 5/16-18 x 2 Long	72	1	203017	Hex Nut, 3/8
27	2	202808	Wheel 6" Diameter	73	2	203160	Weld Stud, 5/16-18 x 1.5 Long
28	1	206940	Axle, .461 O.D. x 21 Long	74	1	920038	Inner Bracket - Black
29	4	206938	Push Caps	75	1	220064	Spacer, metal, .5 O.D. x .402 I.D. x 4.96 Long
30	1	206956	Disc, plastic, 5" O.D. x .0625 Thick	76	1	203439	Bolt, Hex, 3/8 x 6 Long
31	1	204839	Tinnerman Nut	77	1	200484	Spring
32	1	904816	Inner Channel	78	1	220043	Concave Washer
33	1	904815	Outer Channel	79	1	220569	Label, Logo
34	1	204813	Handle, Height Adjustment	80	1	960043	Cover Plate - Orange
35	2	203217	Bolt, Carriage, 5/16-18 x 1.5 Long	81	2	220140	Screw, Self Tap, 1/4-20 x .5 Long
36	1	203679	Bolt, Hex Head, 3/8-16 x 2 Long	82	1	204281	Net
37	3	201124	Locknut, Hex, 3/8-16	83	1	200119	Front Cover
38	1	204814	Trigger, Height Adjustment	84	4	265601	Bolt, Carriage, 5/16-14 x 3-1/2 Long
39	1	203589	Bolt, Hex Head, 5/16-18 x 1-1/4 Long	85	1	211249	Label, Height and Moving
40	1	201125	Ratchet Spring	86	1	202438	Rope, Nylon Double Looped Tie Down
41	1	204809	Label, Accuheight	87	1	206219	Cap
42	4	204843	Pushcap, 3/8				
43	2	204840	Pin, 3 x 3/8				
44	2	204841	Spring, Silver				
45	1	204819	Bracket, Pole Mount				
46	2	203053	Bolt, Carriage, 5/16-18 x 4 Long				

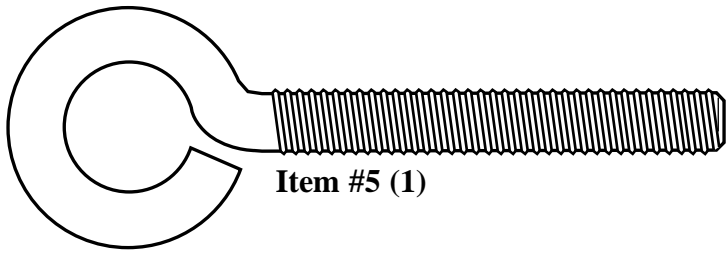
*You may have extra parts with this model

WARRANTY CARD:

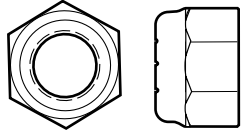
Please remember to complete your product registration form either on-line at:
www.huffysports.com/warrantycard
 or mail-in the enclosed postcard.



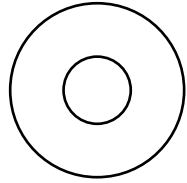
HARDWARE IDENTIFIER



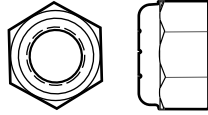
Item #5 (1)



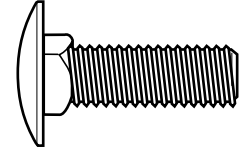
Item #8 (6)



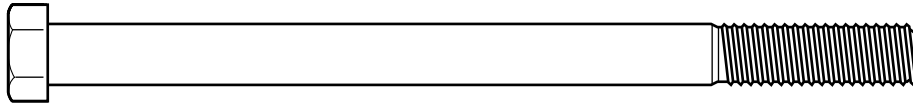
Item #11 (11)



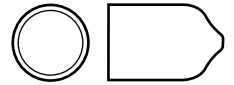
Item #12 (1)



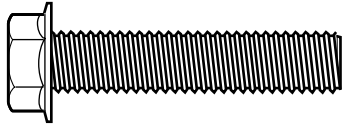
Item #16 (1)



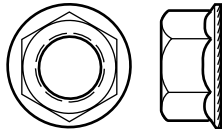
Item #10 (1)



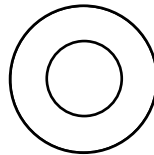
Item #13 (1)



Item #14 (2)



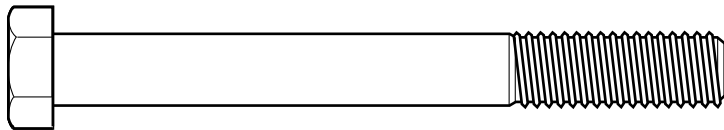
Item #15 (19)*



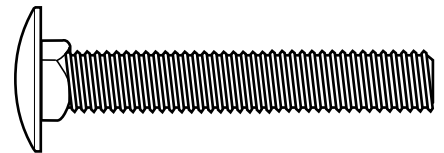
Item #20 (16)*



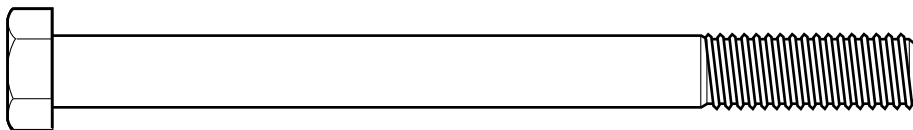
Item #21 (1)



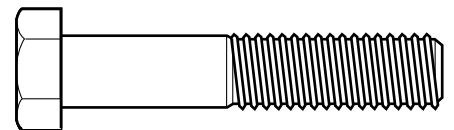
Item #19 (1)



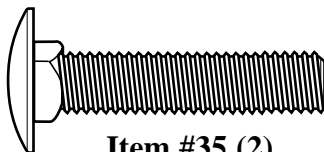
Item #26 (4)



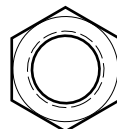
Item #23 (1)



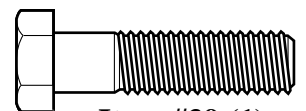
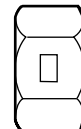
Item #36 (1)



Item #35 (2)



Item #37 (3)



Item #39 (1)

HARDWARE IDENTIFIER (CONTINUED)

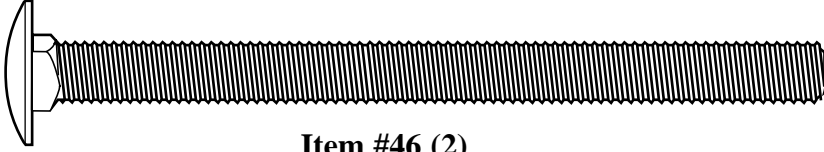
HARDWARE IDENTIFIER (continued)



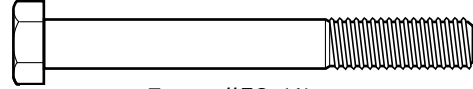
Item #43 (2)



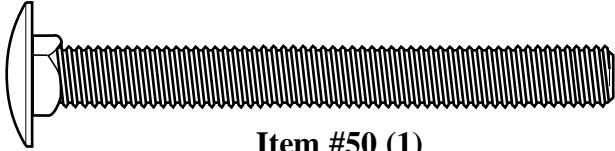
Item #51 (2)



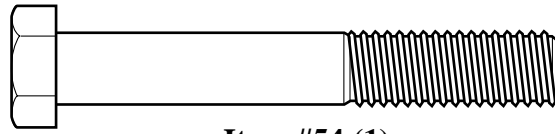
Item #46 (2)



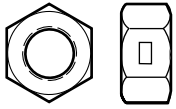
Item #53 (1)



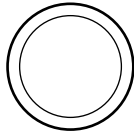
Item #50 (1)



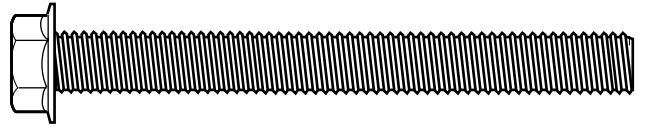
Item #54 (1)



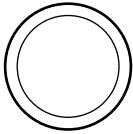
Item #55 (1)



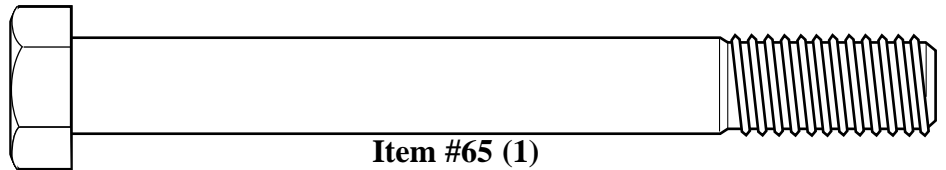
Item #59 (4)



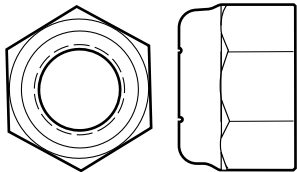
Item #60 (4)



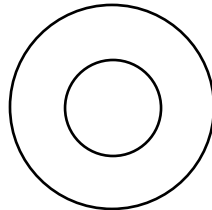
Item #67 (8)



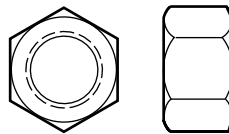
Item #65 (1)



Item #58 (7)



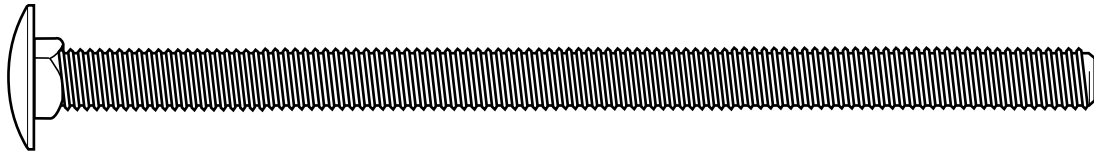
Item #71 (1)



Item #72 (1)



Item #73 (2)

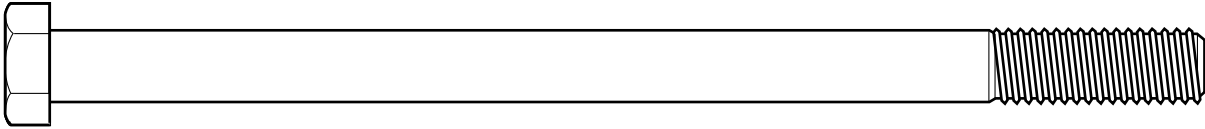


Item #69 (1)

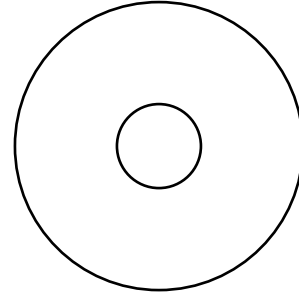


Item #75 (1)

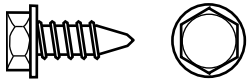
*You may have extra parts with this model.



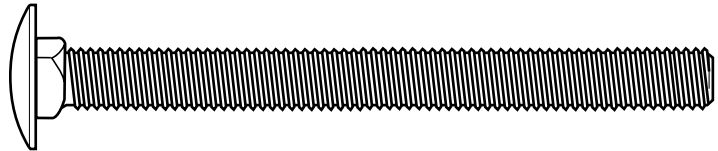
Item #76 (1)



Item #78 (1)



Item #81 (2)



Item #84 (4)

INSTRUCTIONS

IMPORTANT! WRITE MODEL NUMBER FROM BOX ONTO PAGE 1 OF THIS OWNERS MANUAL



1. Mark pole sections with tape as shown.
2. **IMPORTANT! Bounce pole top (1) and middle section (2) together as shown until they no longer move toward taped reference mark.** Upright assembly. **NOTE:** Pole sections should have a 3-1/2" (9 cm) minimum overlap.
3. **IMPORTANT! Holes in top (1) and bottom pole (3) sections MUST align to correctly position elevator system toward playing surface.** Add bottom pole section (3) to assembly as shown and bounce until completely tight. **NOTE:** Pole sections should have a 3-1/2" (9 cm) minimum overlap.
4. Install wheels (17) onto axle (28) and wheel bracket (25) with push caps (29) as shown.
5. Position base as shown. Secure wheel bracket assembly with bolt (16) and nut (15) as shown.
6. Install rod (4) through holes in bottom pole section (3) and eyebolt (5). Insert pole assembly into tank (6) and through center hole on wheel assembly as shown. Secure pole assembly with lock nut (8). **NOTE:** Two people recommended for this step.
7. Secure base struts (9) to pole using bolt (10) washers (11) and nut (12) as shown. Rotate the non-secured ends of base struts (9) as shown.
8. Secure base struts (9) to base using bolt (14) washers (11) and nut (15).
9. Install upper pivot bracket (18) to front of base using bolt (19), washer (20) and nut (8) as shown.
10. Insert bolt (21) through lower pivot bracket (22) as shown, bolt (21) will be secured during step 12. Carefully place base assembly on its side. Install lower pivot bracket (22) with bolt (23), washers (20) and lock nut (8) as shown.
11. Secure both hinge tubes (24) to second wheel bracket (25) with carriage bolts (26) and flange nuts (15).
12. Install wheels (27) onto axle (28) and wheel bracket (25) with push caps (29) as shown.
13. Position base as shown. Secure wheel bracket assembly with disc (30), washer (20) and nut (8) as shown. **NOTE:** Two people recommended for this step.
14. Carefully reposition entire assembly as shown. **IMPORTANT! Two people recommended for this step.**
15. Snap tinnerman nut (31) onto inner channel (32). Place inner channel into outer channel (33) as shown.
16. Slide handle (34) into position as shown and secure with bolts (35), washers (11), and nuts (15). Tighten completely.
17. Install bolt (36), washers (11), and nut (37) as shown. Tighten until washers (11) are no longer loose. **NOTE:** Do not over tighten. Assemble trigger (38) to handle assembly (34, 32, 31) as shown and secure with bolt (39) and washer (11). Tighten completely.
18. **▲ WARNING: USE EYE PROTECTION WHEN INSTALLING SPRINGS.**
Install trigger return spring (40) to handle assembly (32, 33) as shown.
19. Attach Accuheight label (41) to outer channel (33).
20. Attach spring (44) to pins (43) and install pins (43) onto pole mount bracket (45). Attach other spring (44) to opposite side. **NOTE:** Gently enlarge eyelets of spring with pliers if springs do not fit over pins.
21. **▲ WARNING: USE EYE PROTECTION WHEN INSTALLING SPRINGS.**
Install pole mount assembly and reinforcement bracket (47) with carriage bolts (46) to pole as shown. Tighten flange nuts (15) completely.
22. Push back sliding pin (43) as shown in Figure A to fit adjustable system assembly through pole mount assembly. Then attach spring covers (48 & 49) onto pole mount bracket (45) with bolt (50), and nut (15) as shown in Figure B.
23. Install spacers (51) onto backboard brackets (52) with bolts (53, 54) and lock nuts (55, 37) as shown.
24. Assemble lower elevator tubes (56) as shown. **NOTE:** Tighten bolt (57) in lock nut (58) until flush (even) with lock nut's outer edge. **IMPORTANT! It is necessary for all parts to be installed for this mechanism to work safely and properly.** **NOTE:** Test fit bolts into holes of brackets (52) and carefully rock them in a circular motion to ream out paint from holes if necessary.
25. Starting with nuts (15) flush against board bracket (52), bolt red bracket (61) to board using bolts (60), washers (20), and foam pad (62) as shown. Do not tighten. Tightening will take place in step 30. **NOTE:** Place two bolts (60) through UPPER holes of red bracket only, as shown. Bend board brackets (52) to line up with holes in backboard and secure using weld studs (73), and nuts (15) as shown.
26. Assemble upper elevator tubes (63) to backboard brackets (52) as shown. **NOTE:** Tighten bolt (57) in locknut (58) until flush (even) with locknut's outer edge.
27. Support pole on sawhorse. Attach backboard assembly to top pole section (1) as shown. Then install pole cap (64). **NOTE:** Two people are recommended for this step. **Use caution; elevator assembly is heavy.**
28. Install upper elevator tubes (63) to triangle plates (66) as shown. Next, install handle assembly (32, 33) to lower elevator tubes (56) using bolt (57), spacers (67), and nut (58) as shown. **NOTE:** Tighten bolt (57) in locknut (58) until flush (even) with locknut's outer edge. **NOTE:** Before going on to next step, set adjustable system assembly to the 10' (3.05 m) setting.
29. **▲ WARNING: USE EYE PROTECTION WHEN INSTALLING SPRINGS.**
Insert bolt (57) through left side upper elevator tube (63), then stretch springs (68) onto bolt (57). Insert bolt (57) through right side upper elevator tube (63) and secure with nut (58).
30. Install carriage bolt (69) through rim (70), washers (71) and (20) as shown. Tighten nut (72) completely. Place nut (8) about half-way up carriage bolt (69) as shown.
31. Insert inner bracket (74) into bracket (61) as shown. Insert bolts (60) through washers (20) and through UPPER holes of inner (black) bracket (74) as shown. Tighten nuts (15) completely. **Tighten all hardware from step 24 at this time.**
32. Insert spacer (75) through rim assembly (70). Place rim assembly on bracket (61) so that bolt (69) is inserted through hole on top of inner bracket (74).
33. Install bolt (76), through washers (20) and through top holes on side of bracket (61) and secure with nut (73) as shown. Tighten completely.
34. Install spring (77), concave washer (78) and center lock nut (37) to bolt (69) as shown. **NOTE:** Do not over tighten as rim will not flex properly. See leveling instructions to determine how much to tighten nuts (8) and (37).
35. Place level on rim (70) and adjust nut (8) until level. Tighten nut (37) to set rim tension for playing.
36. Apply logo label (79) to cover plate (80) and install cover plate (80) on rim (70) using self tapping screws (81) as shown. **NOTE ORIENTATION OF COVER PLATE.**
37. Secure net (82) to rim (70).
38. Attach front cover (83) to hinge tubes (24) using carriage bolts (84) and flange nuts (15) as shown.
39. **▲ WARNING: DO NOT LEAVE ASSEMBLY UNATTENDED WHEN EMPTY, MAY TIP OVER.**
40. Apply height and moving label (85) to front of pole as shown.
41. Roll completed assembly to desired playing area. Secure assembly to ground using rope (86) and tie down stake (7). Fill tank with 34 gallons of water. **IMPORTANT! Add two gallons (7.6 Liters) of non-toxic antifreeze in sub-freezing climates.** Add two gallons (7.6 liters) to tank to prevent freezing in sub-freezing climates. Snap cap (88) into place.
42. **▲ WARNING: DO NOT ALLOW CHILDREN TO ADJUST HEIGHT.**
43. Grasp handle and depress lever.
44. Push toward pole while holding lever. Raise or lower lever to desired height while pushing forward on handle.
45. Release handle making sure that horizontal pin (43) is locked into slot.

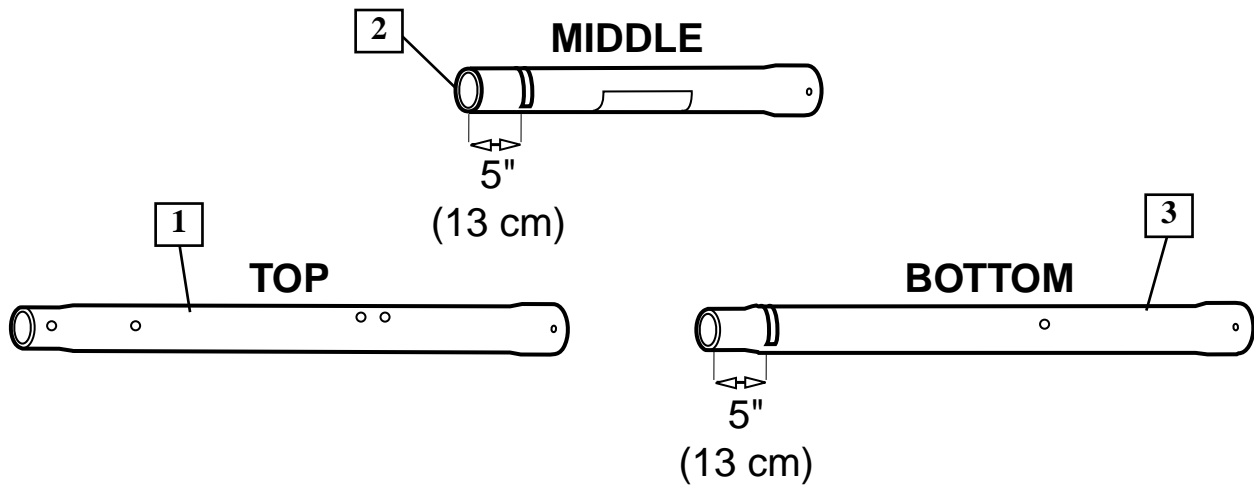


Questions or Missing Parts?

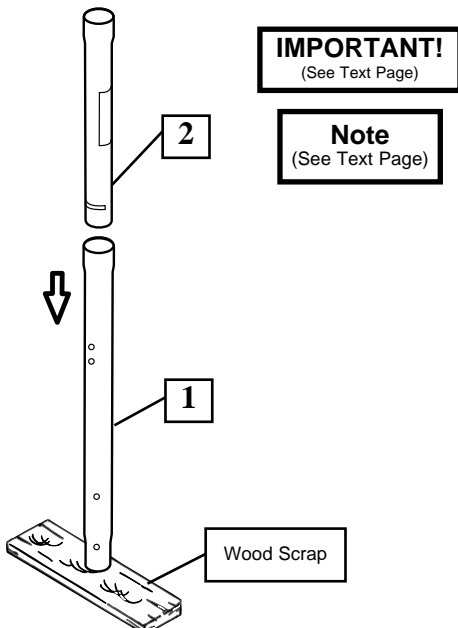
DON'T go back to store!

Call TOLL-FREE Customer Service Number listed on the front page!

1.



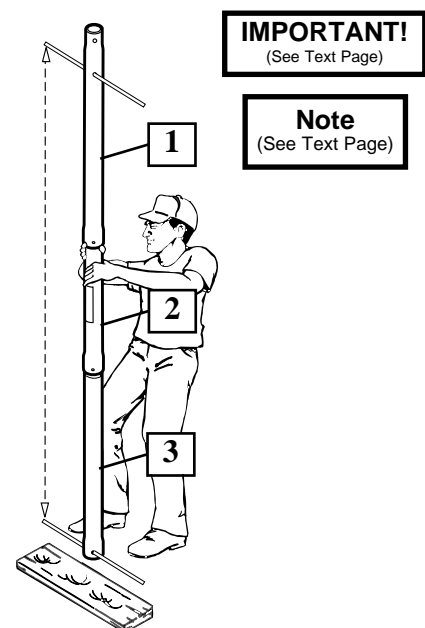
2.



IMPORTANT!
(See Text Page)

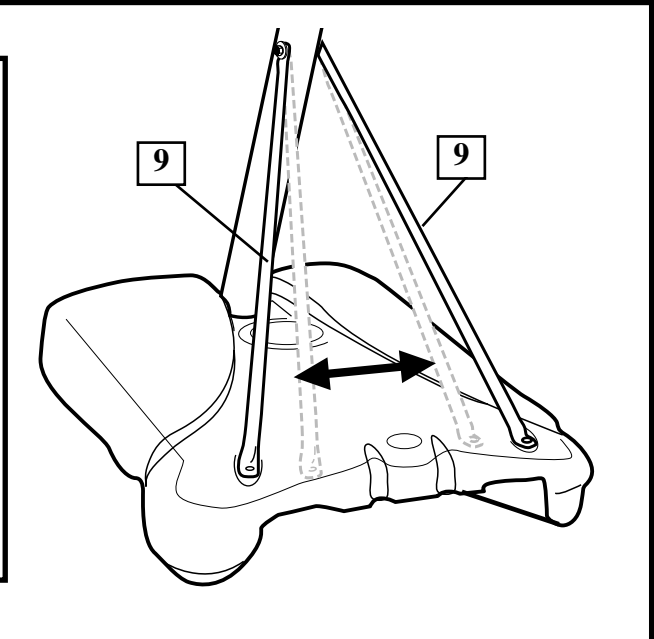
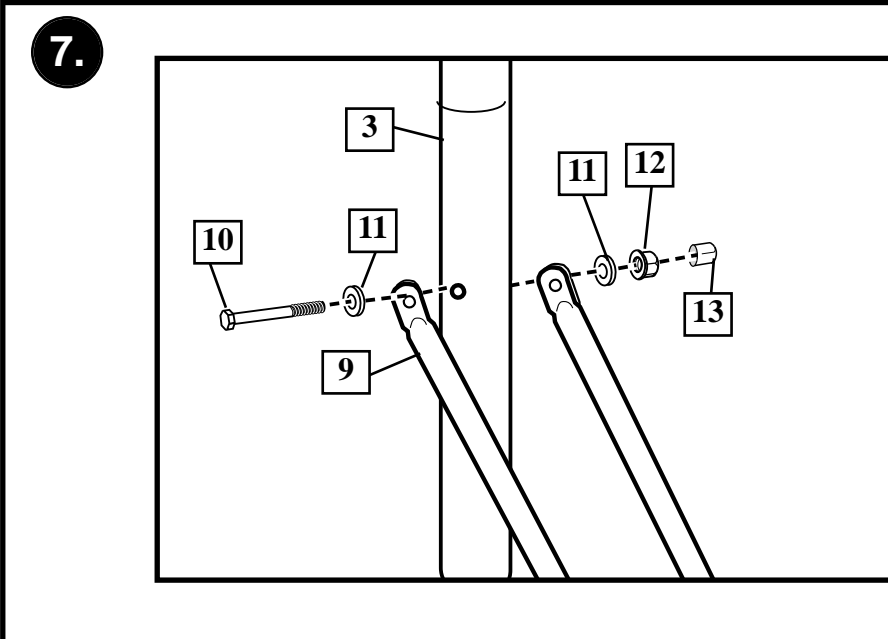
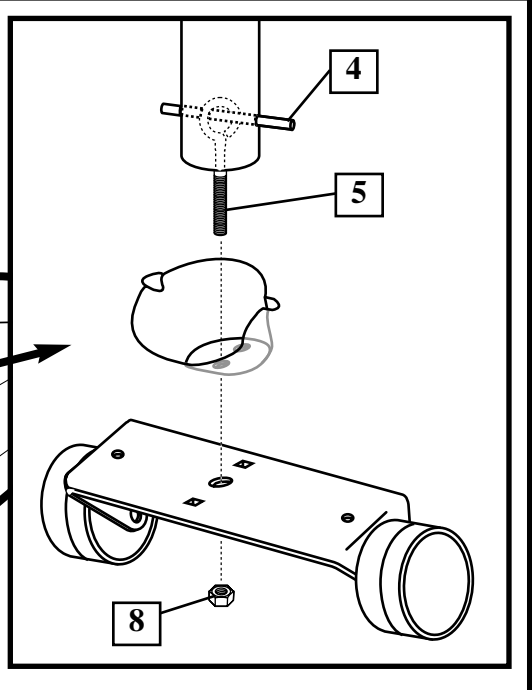
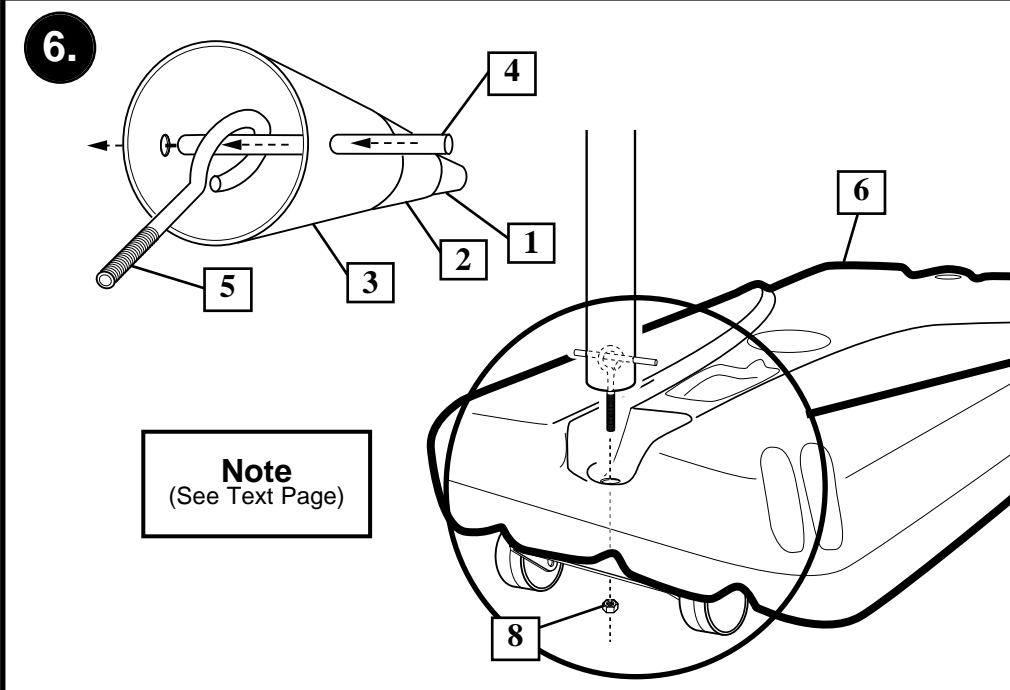
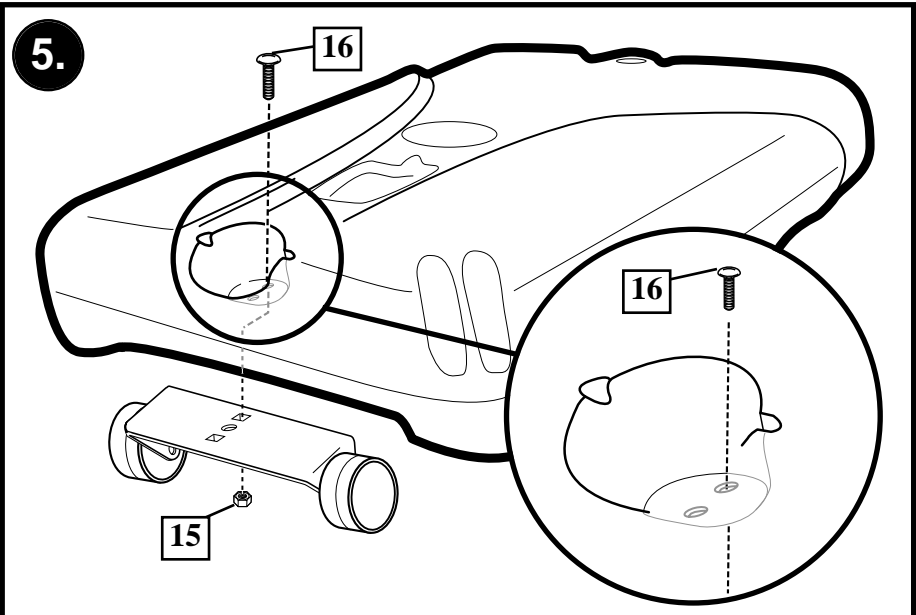
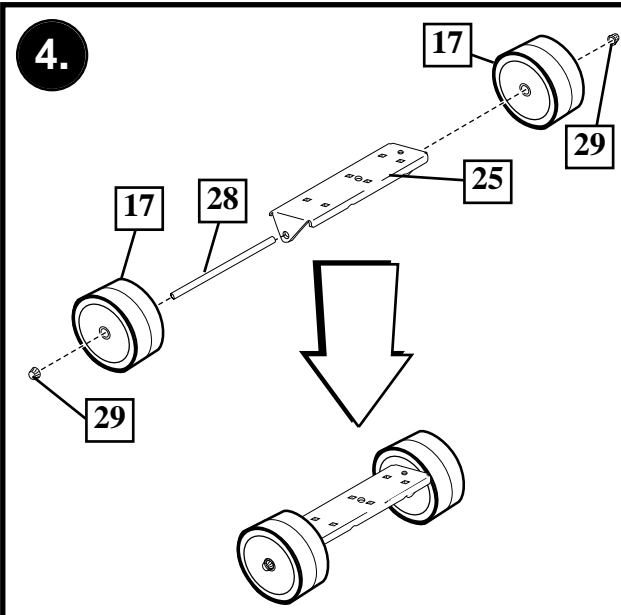
Note
(See Text Page)

3.

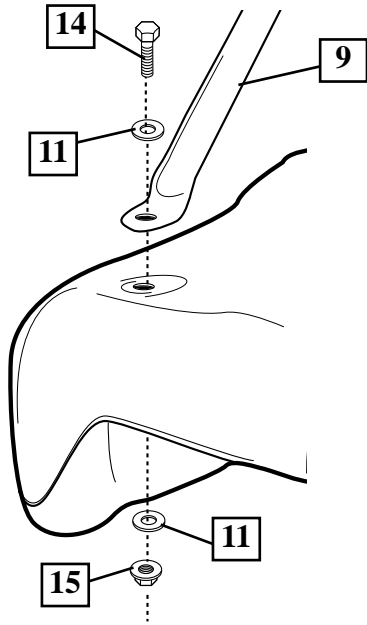


IMPORTANT!
(See Text Page)

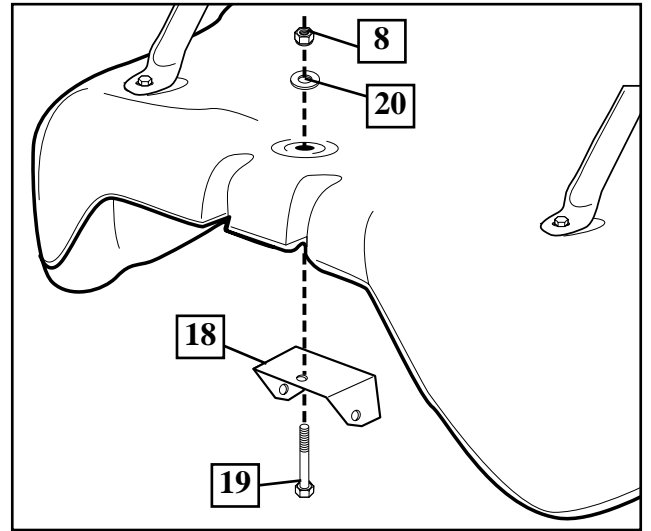
Note
(See Text Page)



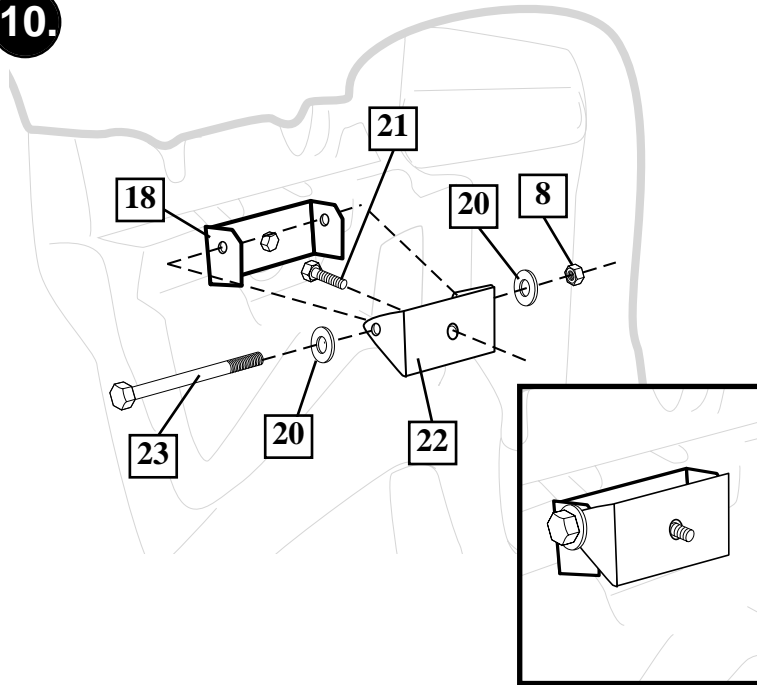
8.



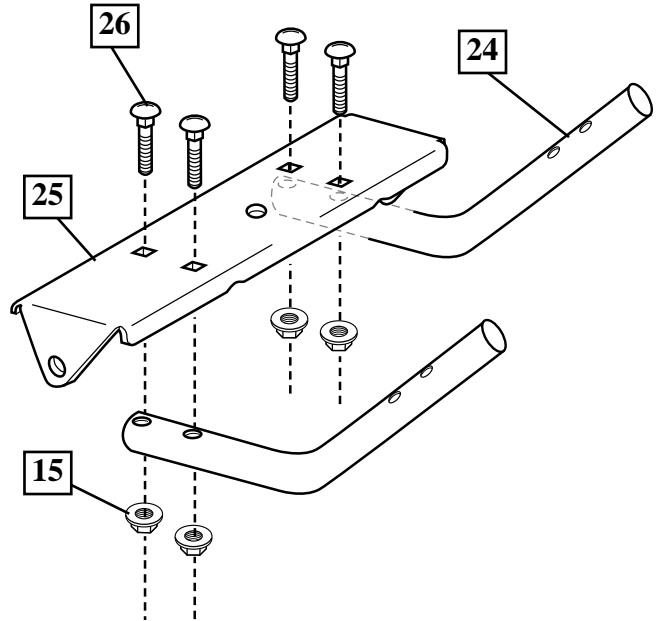
9.



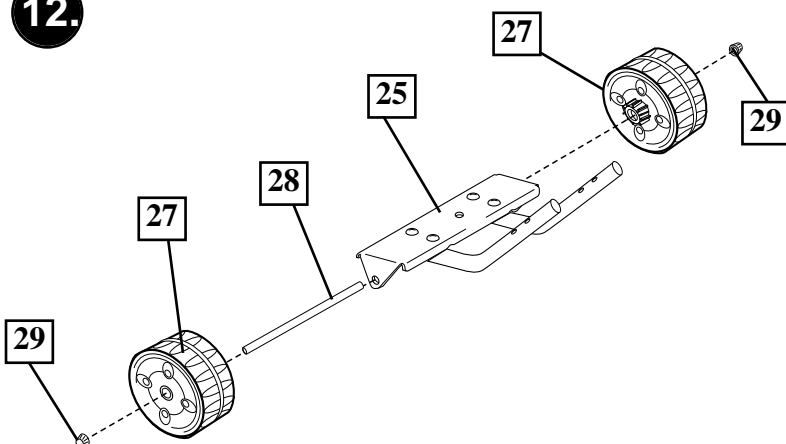
10.



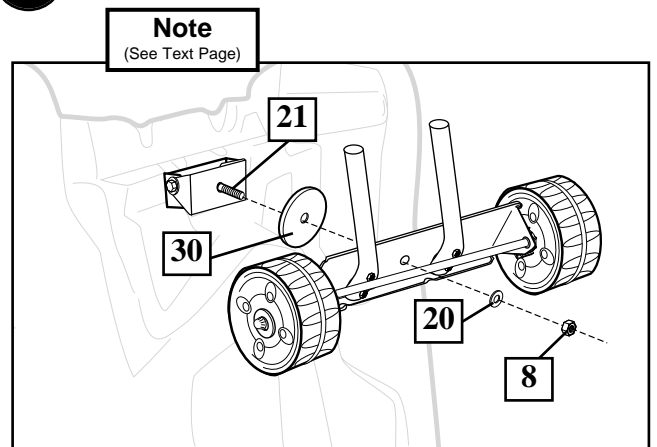
11.



12.

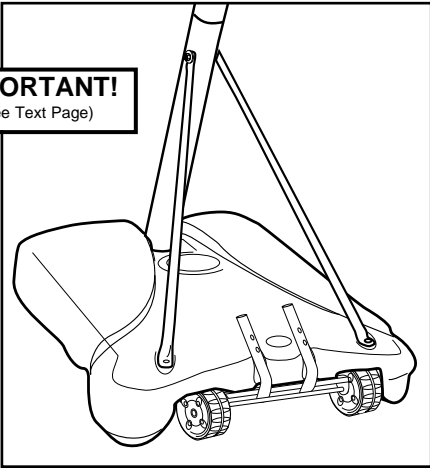


13.

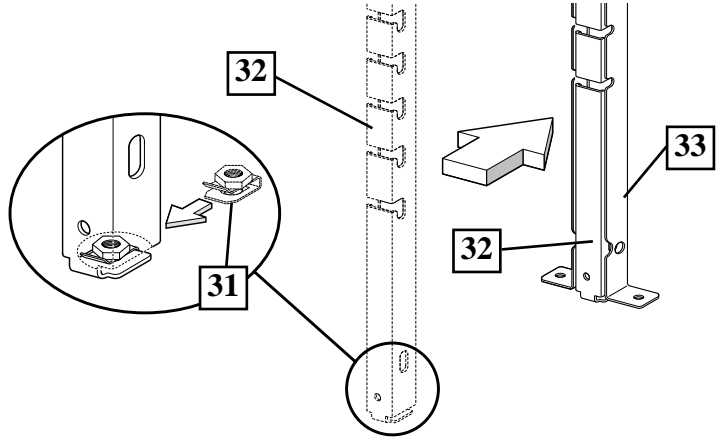


14.

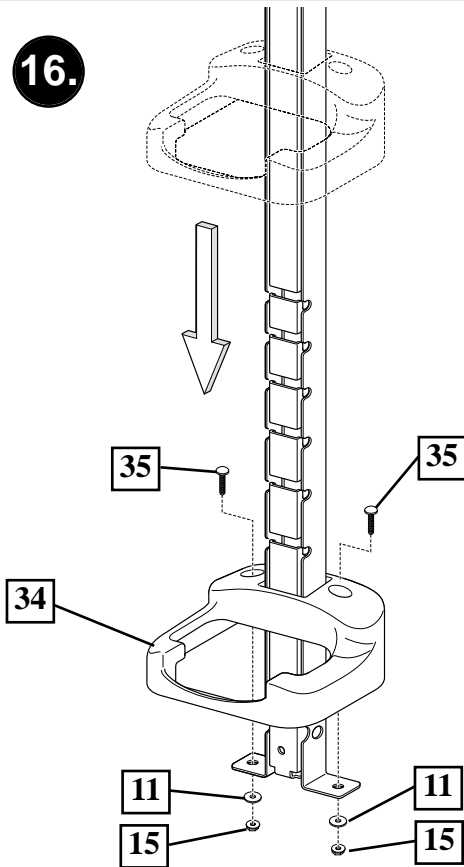
IMPORTANT!
(See Text Page)



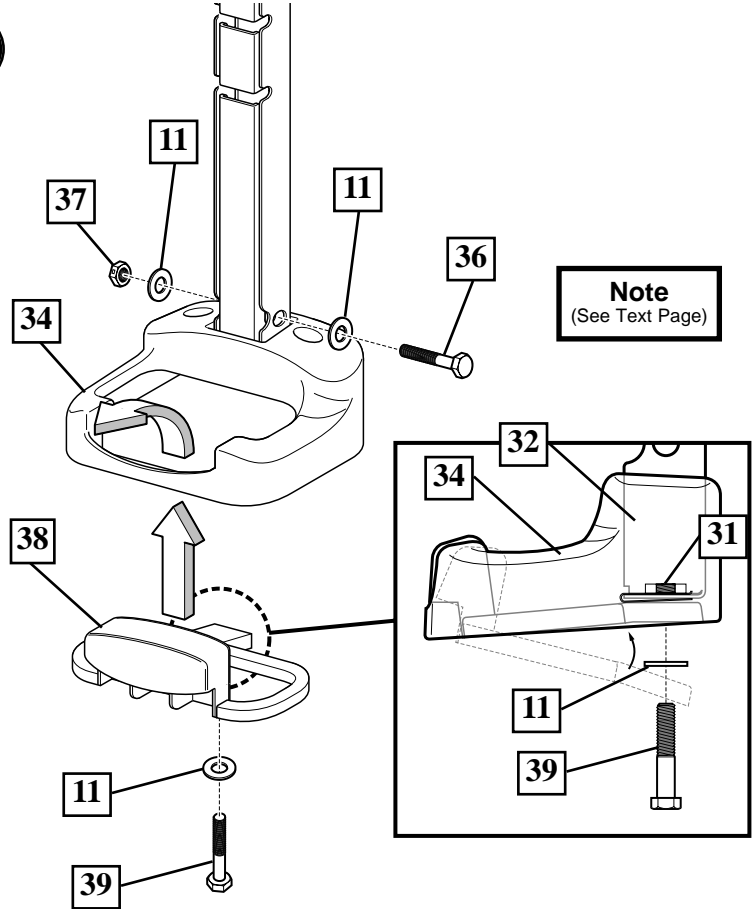
15.



16.



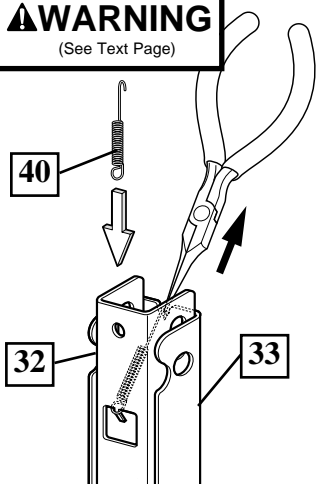
17.



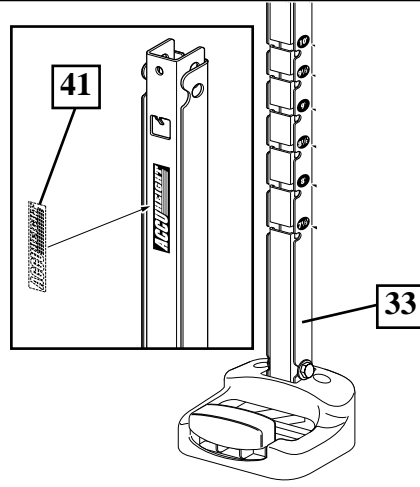
Note
(See Text Page)

18.

⚠ WARNING
(See Text Page)

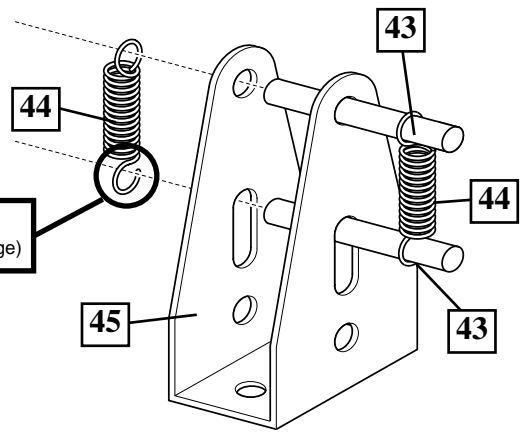


19.



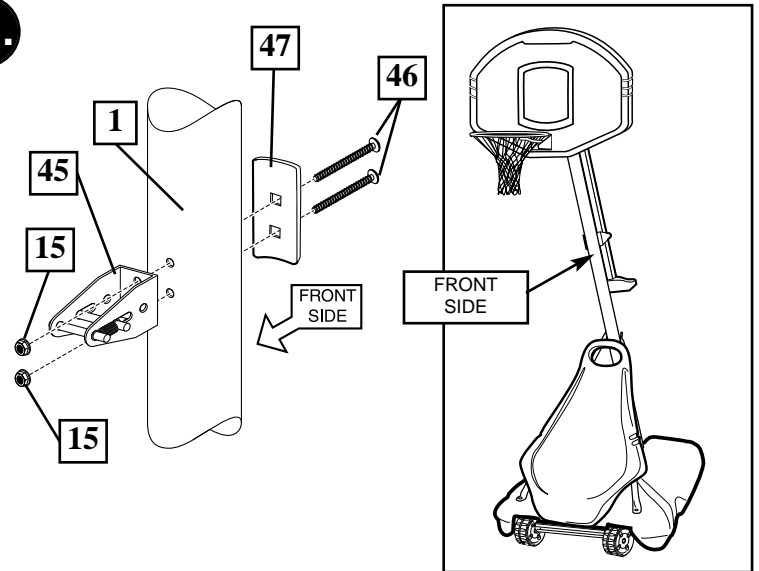
20.

⚠WARNING
(See Text Page)



Note
(See Text Page)

21.



22.

Fig. A

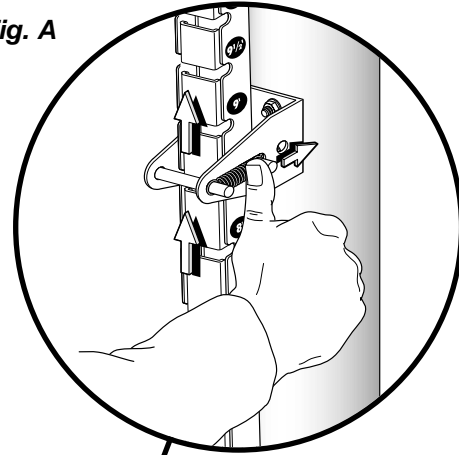
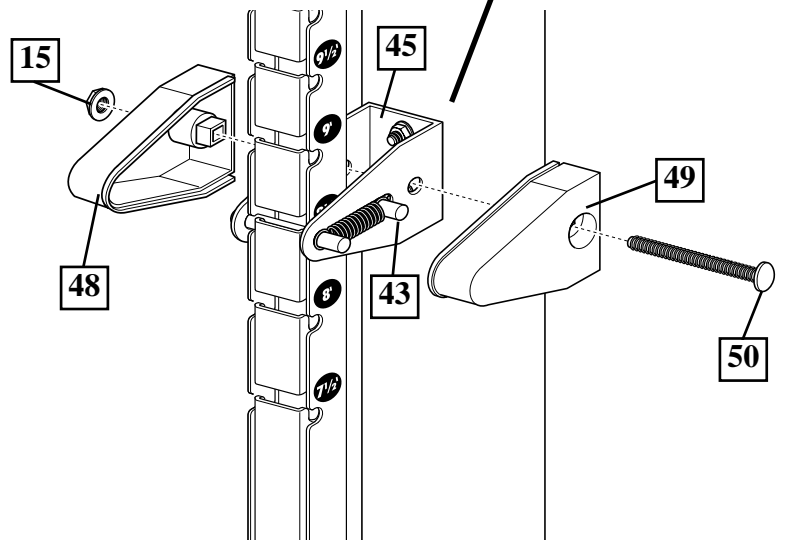
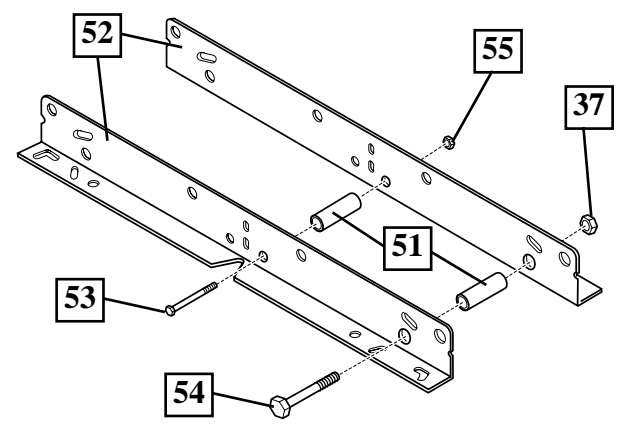


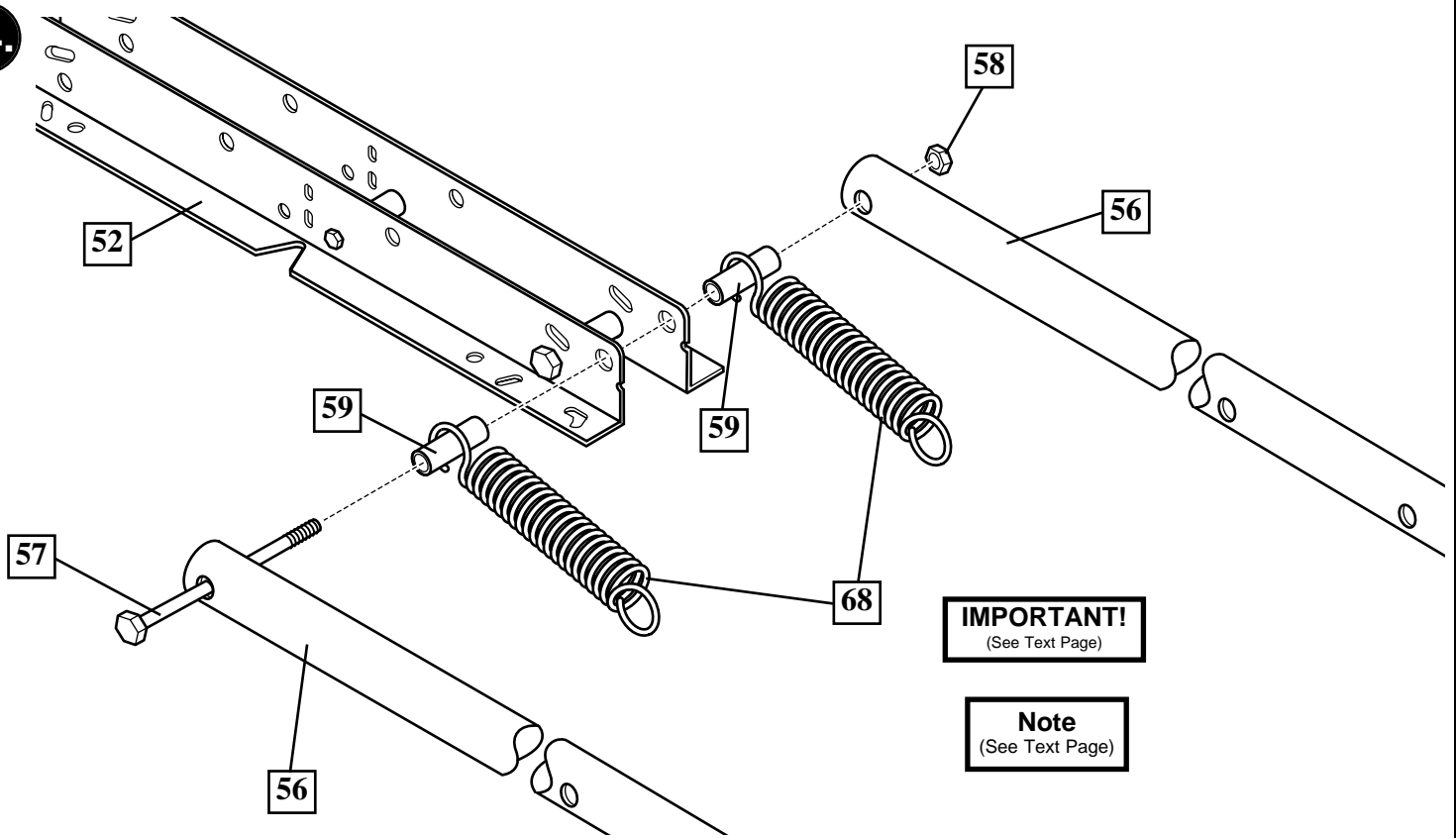
Fig. B



23.



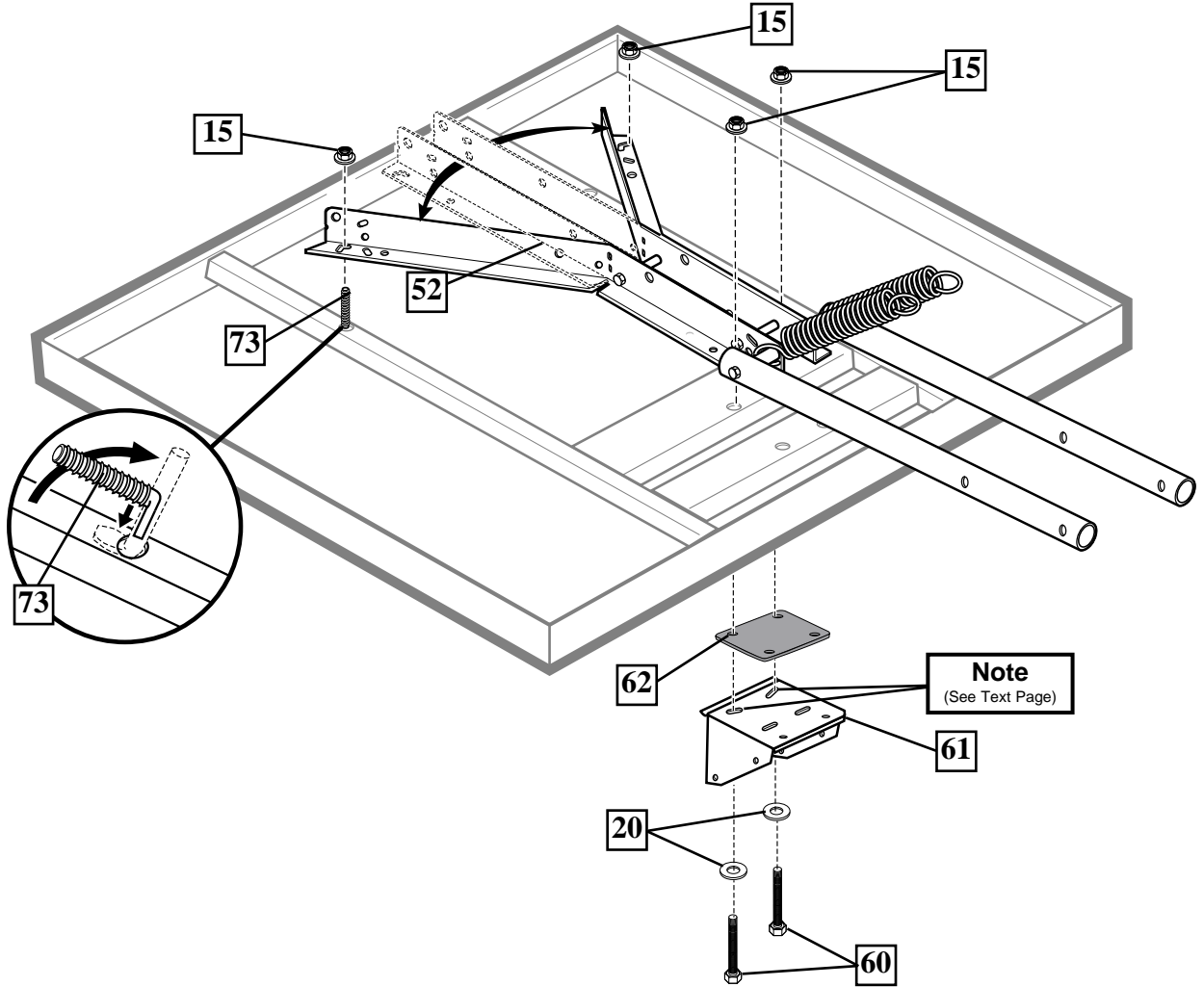
24.



IMPORTANT!
(See Text Page)

Note
(See Text Page)

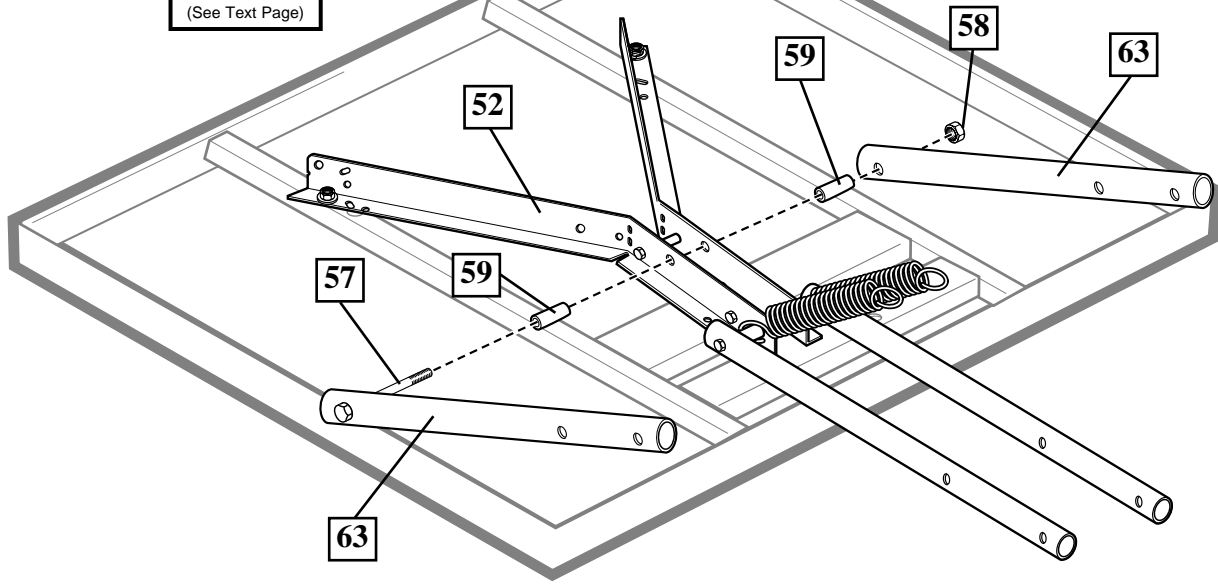
25.



Note
(See Text Page)

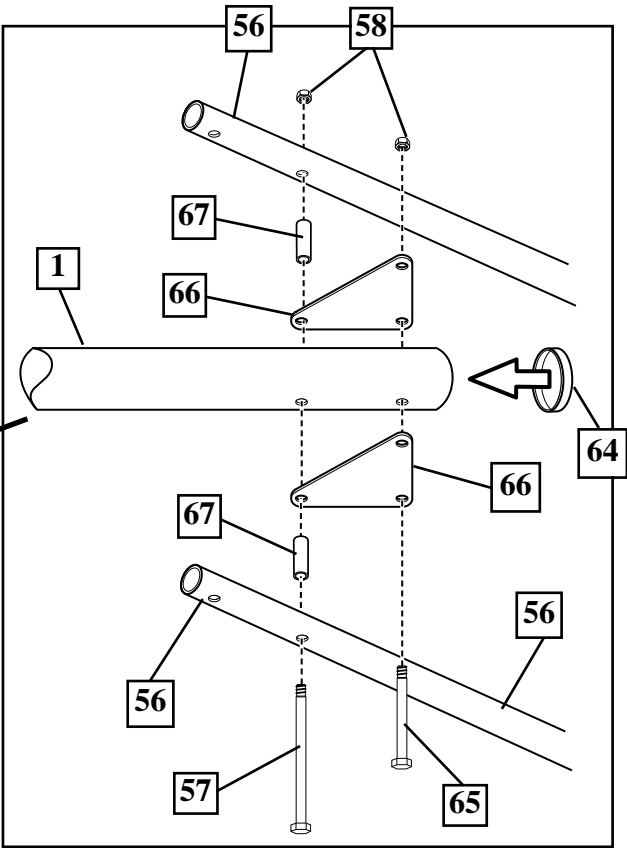
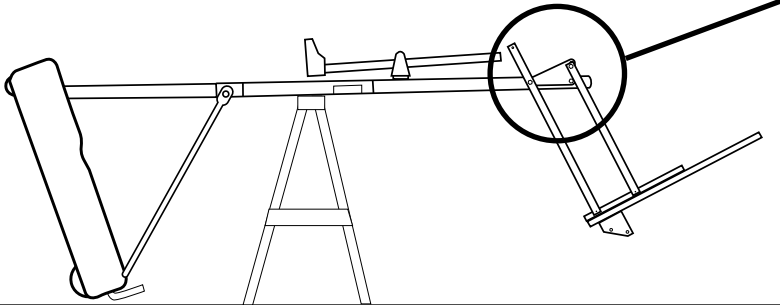
26.

Note
(See Text Page)



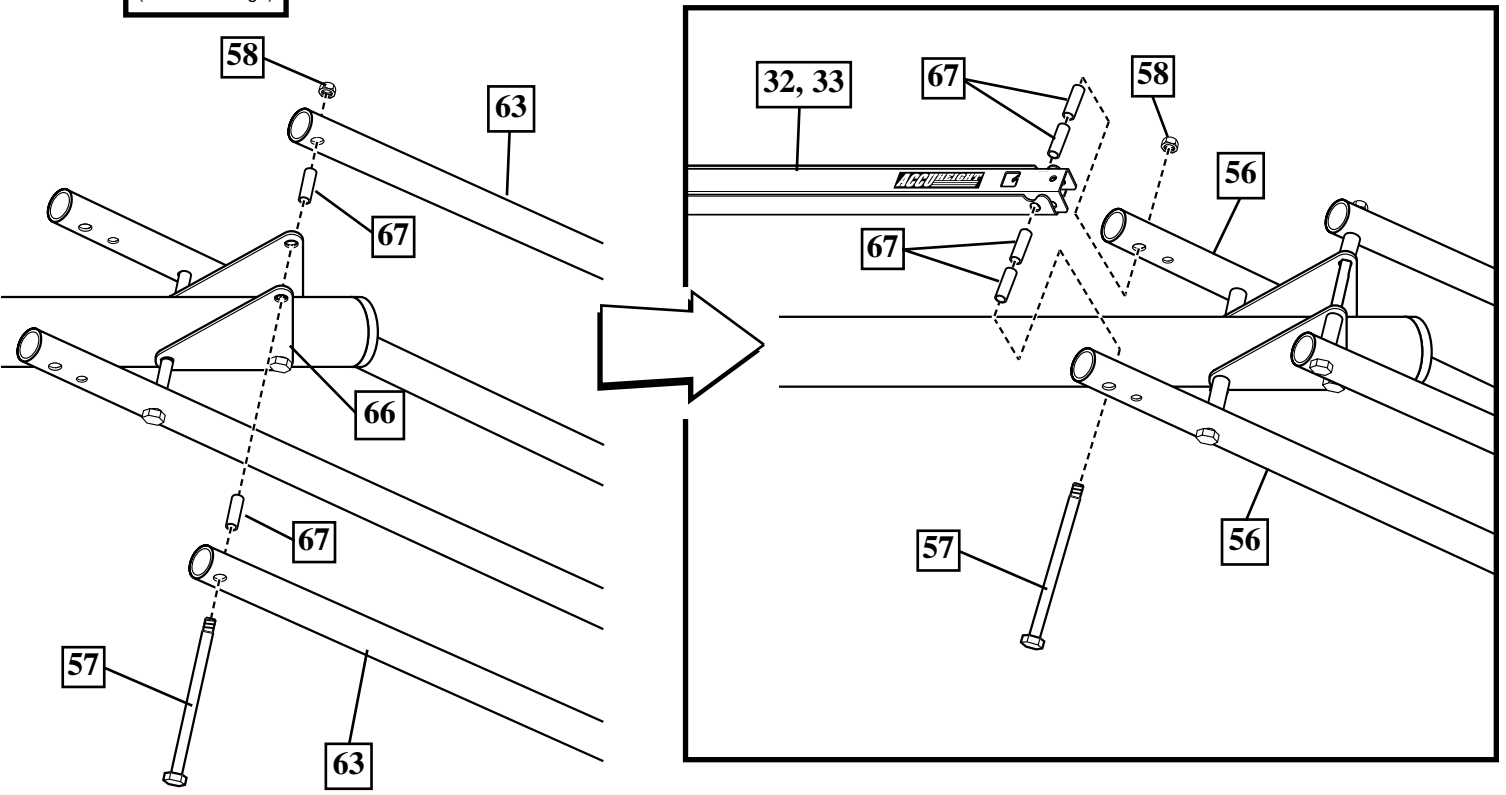
27.

Note
(See Text Page)



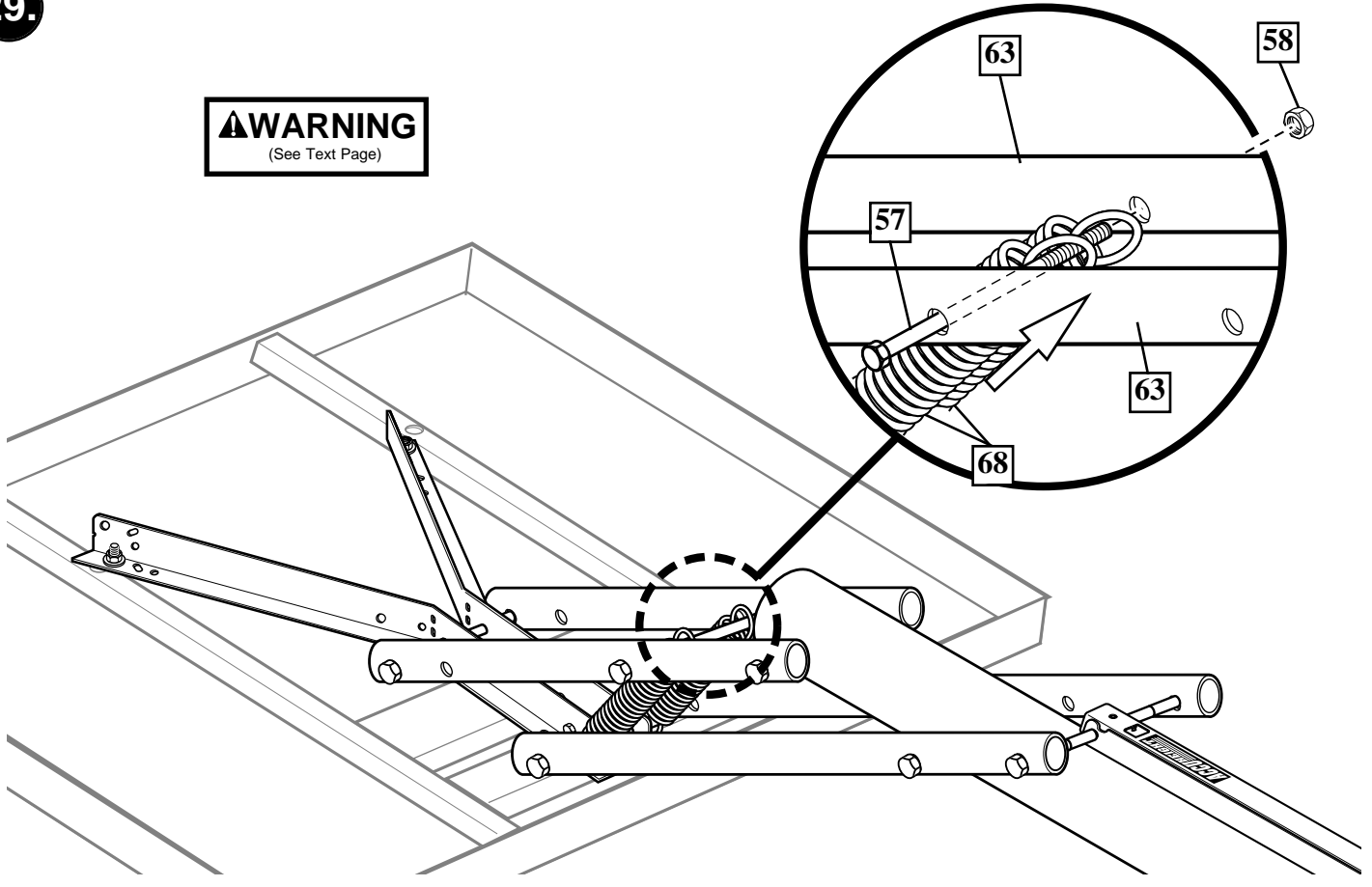
28.

Note
(See Text Page)

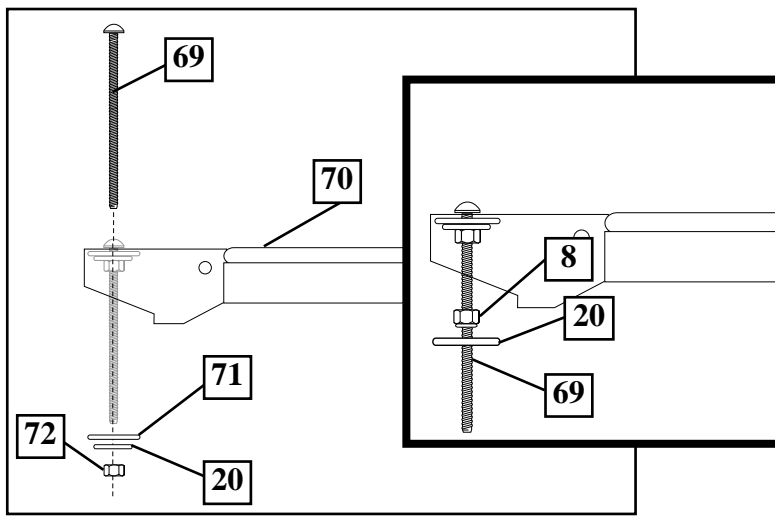


29.

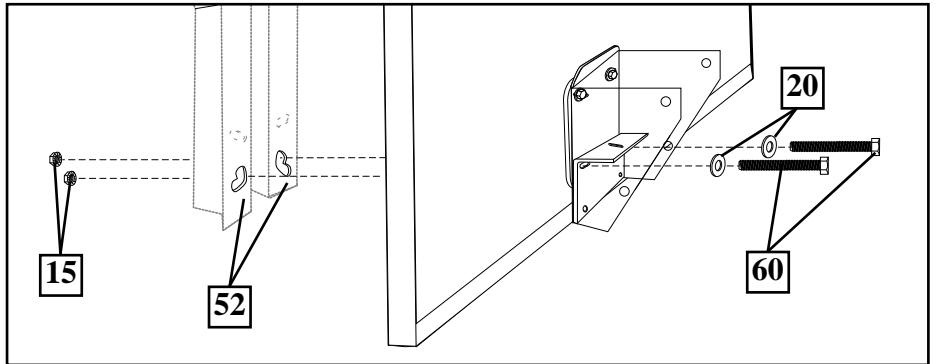
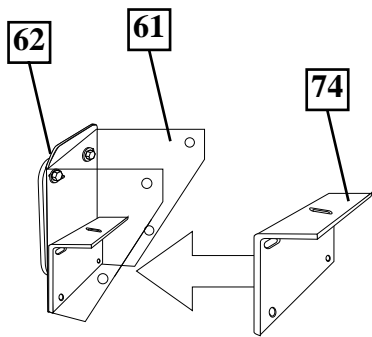
⚠ WARNING
(See Text Page)



30.

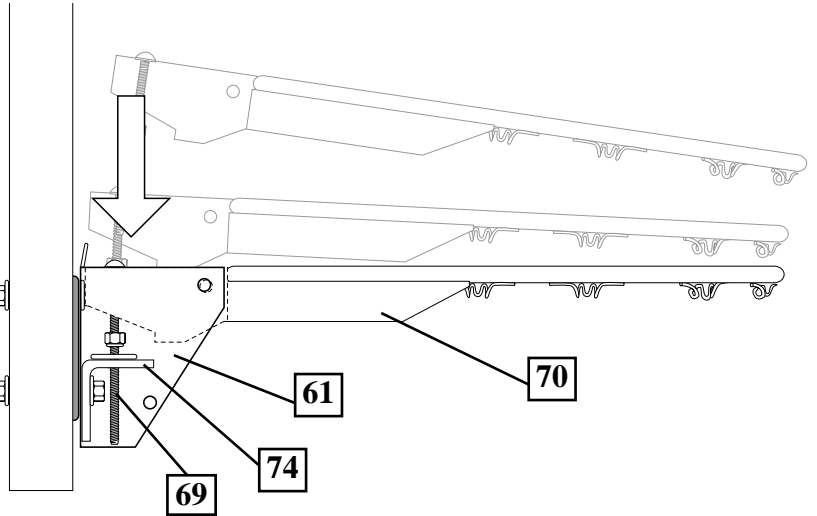
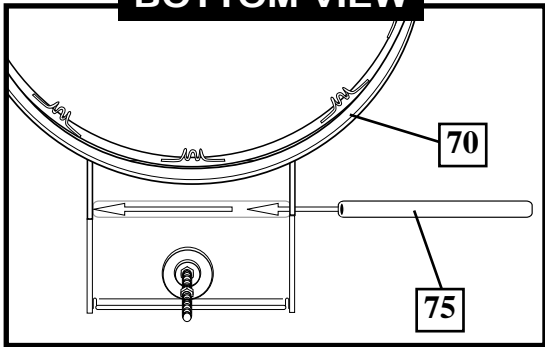


31.

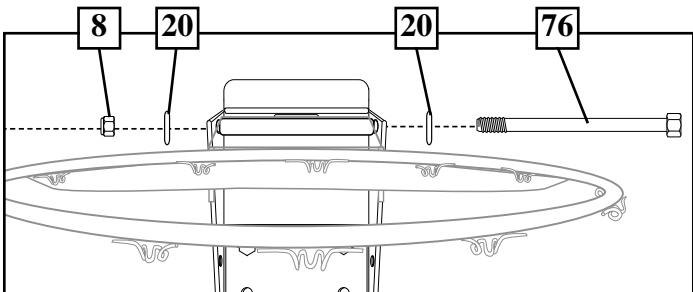


32.

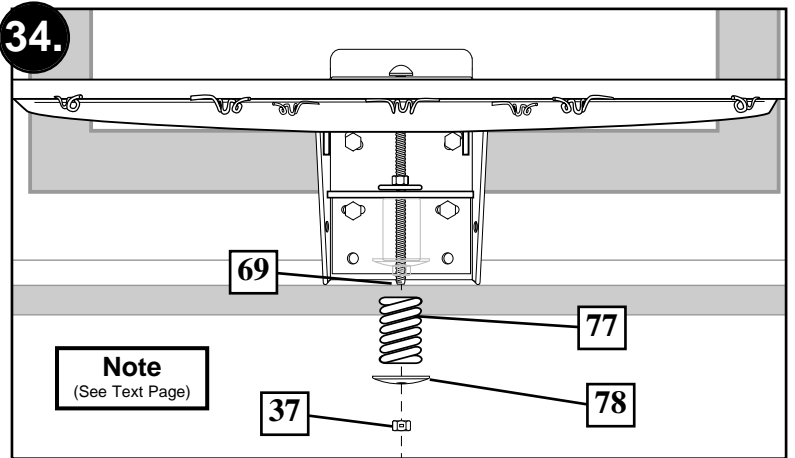
BOTTOM VIEW

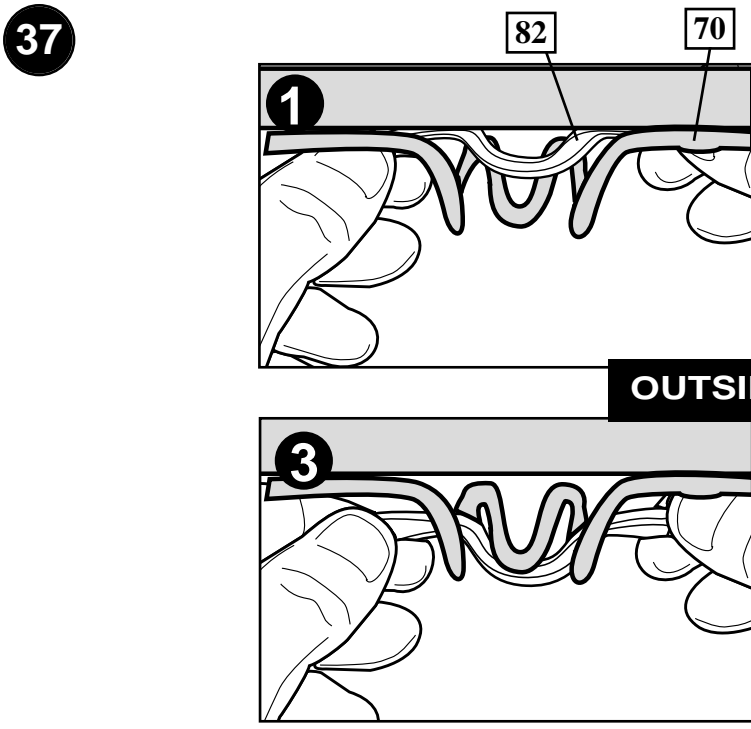
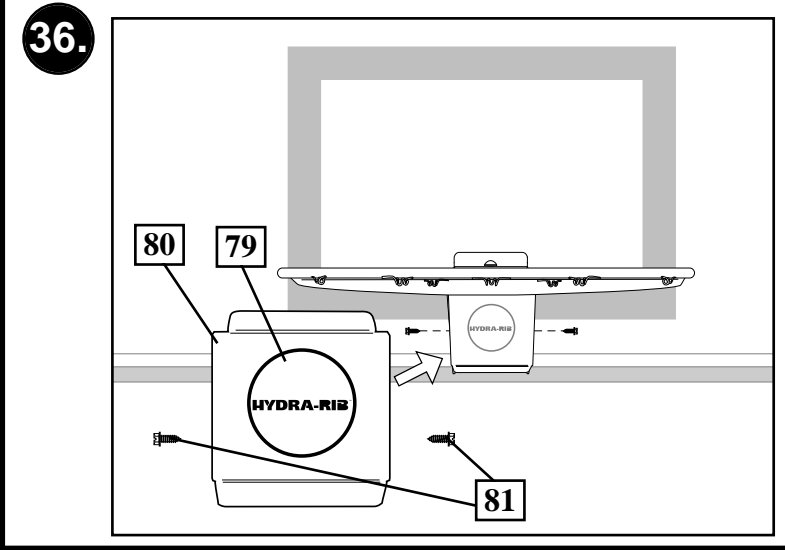
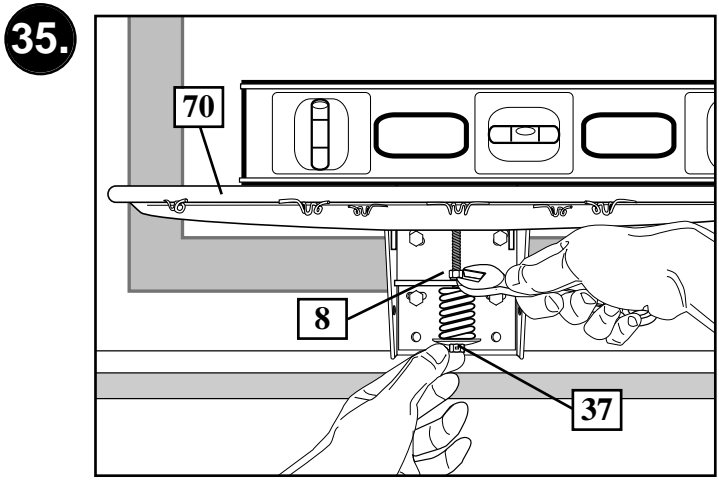


33.

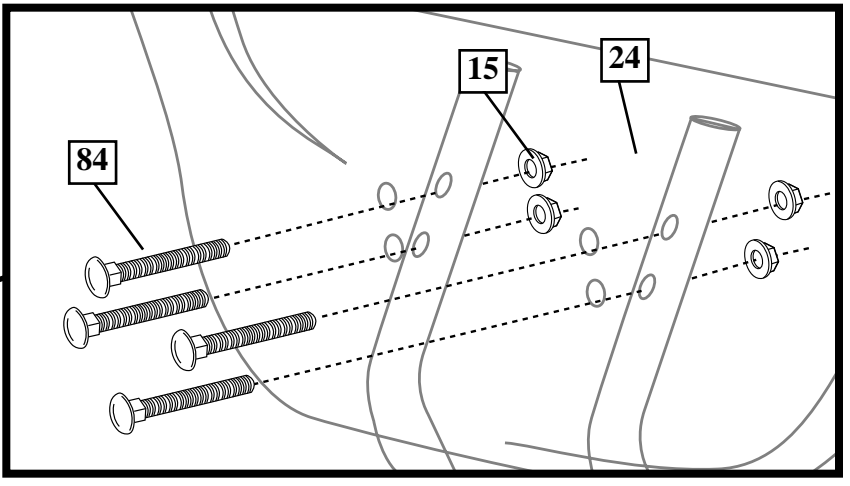
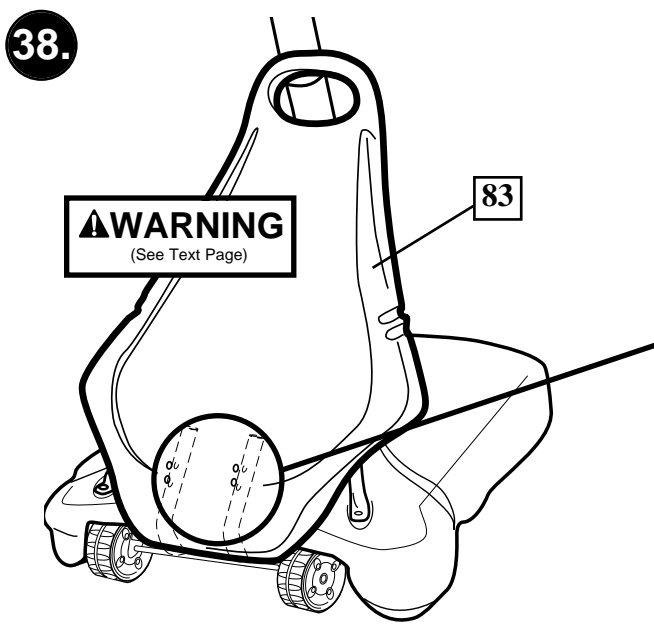


34.

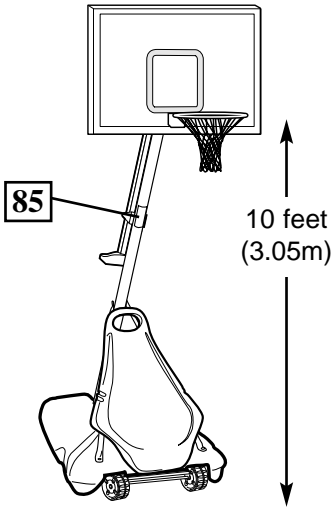




OUTSIDE VIEW

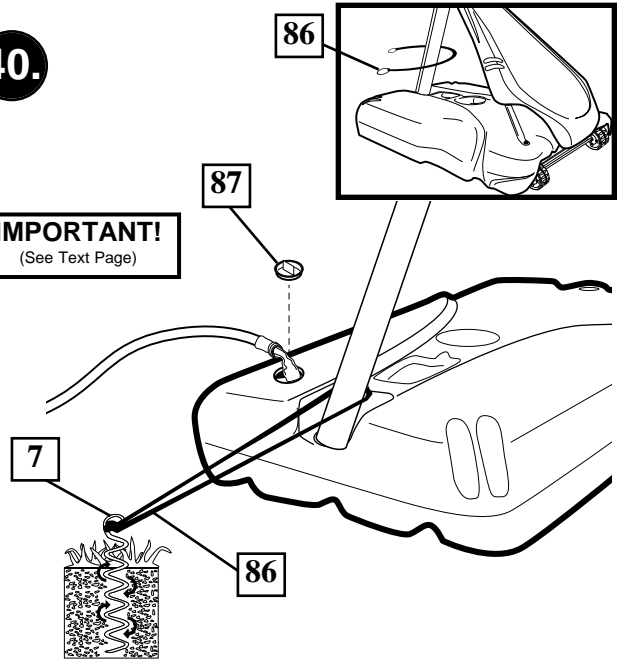


39



40.

IMPORTANT!
(See Text Page)



ELEVATOR HEIGHT ADJUSTMENT

41

42

43

WARNING
(See Text Page)

