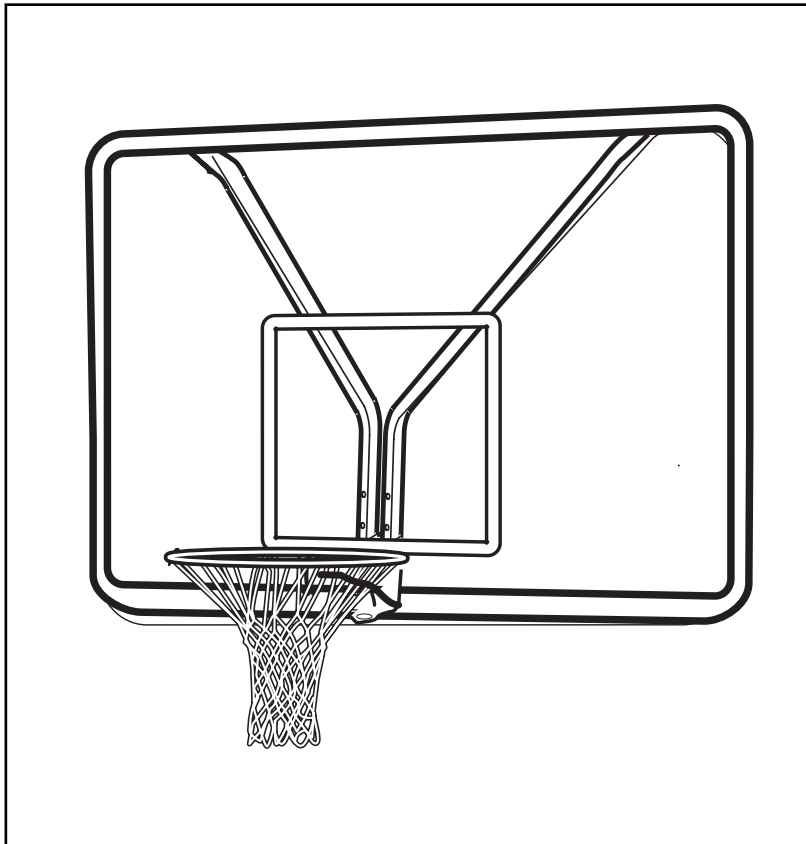


# HUFFY<sup>®</sup>SPORTS

## Backboard and Rim Owners Manual

Customer Service Center

• N53 W24700 South Corporate Circle • Sussex, WI 53089 • U.S.A.



### **! WARNING**

Read and understand operator's manual before using this unit.

Failure to follow operating instructions could result in injury or damage to property.

### **REQUIRED TOOLS AND MATERIALS:**

- Step Ladder 8 ft. (2.4 m)
- Adjustable Wrench
- Wrenches: 7/16", 1/2", 9/16", 3/4"

Toll-Free Customer Service Number for U.S: **1-800-558-5234**,

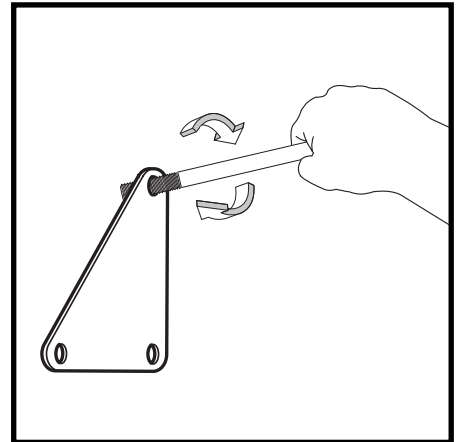
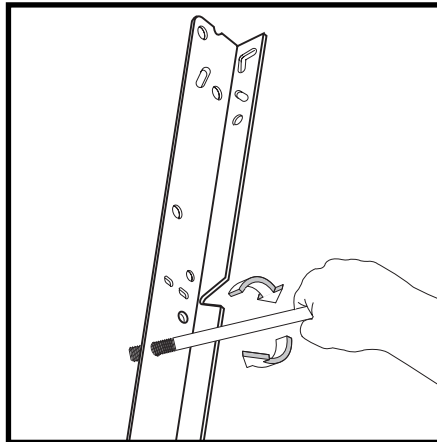
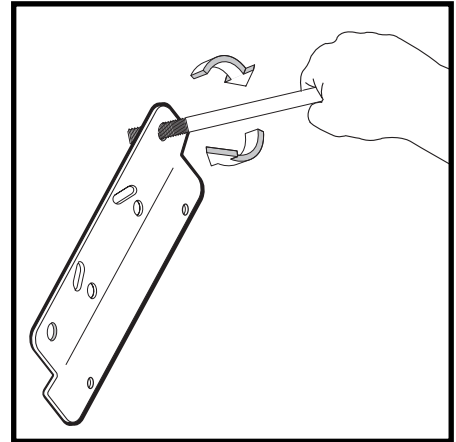
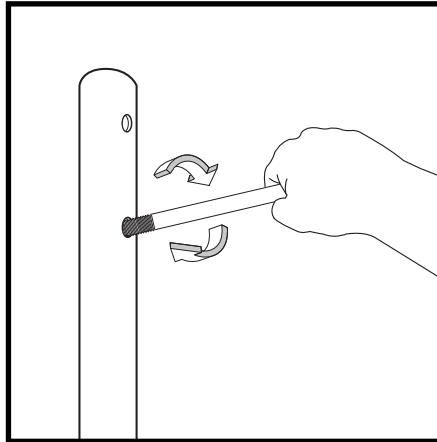
For Canada: **1-800-284-8339**,

For Europe: **00 800 555 85234** (Sweden: **009 555 85234**),

For Australia: **1-800-333 061**

Internet Address: <http://www.huffysports.com>

# BEFORE YOU START!



**To ensure optimal playability of backboard system, a close tolerance fit between the elevator components and hardware is required. Test fit large bolts into large holes of elevator tubes, backboard brackets and triangle plates. Carefully rock them in a circular motion to ream out any excess paint from holes if necessary.**

## **AVANT DE COMMENCER !**

Pour garantir l'utilisation optimale du panneau, les composants du système élévateur et la visserie doivent être bien ajustés (serrés). À titre d'essai, insérez les gros boulons dans les gros trous des tubes du système élévateur, des supports du panneau et des plaques triangulaires. Basculez-les avec précaution en imprimant un mouvement circulaire pour éliminer l'excédent de peinture, si nécessaire.

## **¡ANTES DE COMENZAR!**

Para asegurar el óptimo rendimiento del sistema del respaldo en el juego, se requiere un ajuste de tolerancia estrecha entre los componentes del elevador y el herraje. Pruebe el ajuste de los pernos grandes en los orificios grandes de los tubos elevadores, soportes del respaldo y placas triangulares. Cuidadosamente muévalos en círculos para eliminar cualquier exceso de pintura, si es necesario.

## **VORBEREITENDE MASSNAHMEN**

Um sicherzustellen, dass das Korbwandssystem optimal für den Spielbetrieb geeignet ist, müssen die Komponenten der Verlängerungsvorrichtung und die verschiedenen Befestigungsteile fest miteinander verschraubt werden. Große Schrauben zur Probe in die großen Löcher der Verlängerungsrohre, Korbwandklammern und Dreiecksplatte stecken und diese vorsichtig in einer Kreisbewegung hin- und herbewegen, um eventuelle Farbrückstände aus den Bohrungen zu entfernen.



# SAFETY INSTRUCTIONS



**FAILURE TO FOLLOW THESE SAFETY INSTRUCTIONS MAY RESULT IN SERIOUS INJURY OR PROPERTY DAMAGE AND WILL VOID WARRANTY.**

*Owner must ensure that all players know and follow these rules for safe operation of the system.*

To ensure safety, do not attempt to assemble this system without following the instructions carefully. Proper and complete assembly, use and supervision is essential for proper operation and to reduce the risk of accident or injury. A high probability of serious injury exists if this system is not installed, maintained, and operated properly. Check entire box and inside all packing material for parts and/or additional instructional material. Before beginning assembly, read the instructions and identify parts using the hardware identifier and parts list in this document.

- If using a ladder during assembly, use extreme caution.
- Two (2) people are recommended for this operation.
- Check base regularly for leakage. Slow leaks could cause system to tip over unexpectedly.
- Seat the pole sections properly (if applicable). Failure to do so could allow the pole sections to separate during play and/or transport of the system.
- Climate, corrosion or misuse could result in system failure.
- Minimum operational height is 6' 6" (1.98 m) to the bottom of backboard.
- This equipment is intended for home recreational use only and NOT excessive competitive play.
- Read and understand the warning label affixed to pole. Label is shown on page 1.
- The life of your basketball pole depends on many conditions. The climate, placement of the pole, the location of the pole, exposure to corrosives such as pesticides, herbicides or salts are all important.
- If technical assistance is required, contact Huffy Sports.
- Adult supervision is recommended when adjusting height.

*Most injuries are caused by misuse and/or not following instructions.  
Use caution when using this system.*



## WARNING

**FAILURE TO FOLLOW THESE WARNINGS MAY RESULT IN SERIOUS INJURY AND/OR PROPERTY DAMAGE.**

*Owner must ensure that all players know and follow these rules for safe operation of the unit.*

- See instruction manual for proper installation and maintenance.
- Use caution when performing dunk type activities on this unit.
- Do not hang from any part of unit, including backboard, support braces, rim or net.
- Check unit before each use for loose hardware, excessive wear and signs of corrosion and repair before using.
- During play, use extreme caution to keep player's face away from the backboard, rim or net. Serious injury could occur if teeth/face come in contact with backboard, rim or net.
- During play, do not wear jewelry (rings, watches, necklaces, etc.) Objects may entangle in net.

**HUFFY SPORTS**

In the U.S.: 1-800-558-5234 and Canada Only: 1-800-284-8339

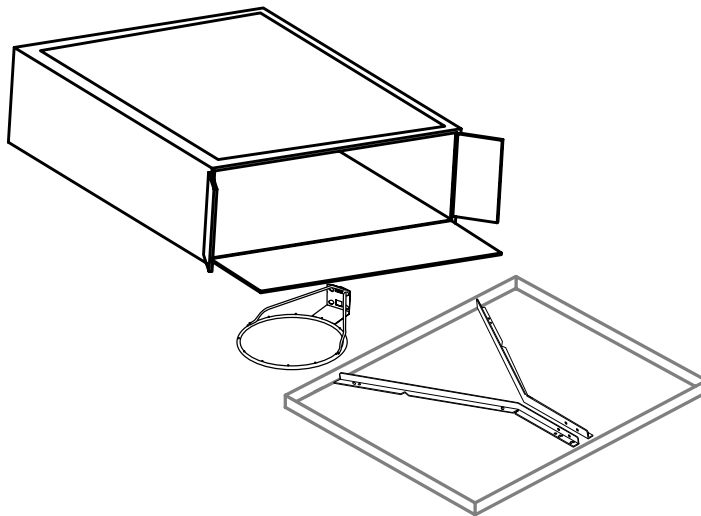
206118 5/97

**STOP!** Questions or Missing Parts?  
**DON'T go back to store!**  
Call TOLL-FREE Customer Service  
Number listed on the front page!

**NOTICE TO ASSEMBLERS**

ALL Huffy Sports Basketball Systems, including those used for DISPLAYS, MUST be assembled and ballasted with sand or water according to instructions. Failure to follow instructions could result in SERIOUS INJURY. It is NOT acceptable to devise a makeshift weight system.

**IMPORTANT!**  
Remove all contents from boxes.

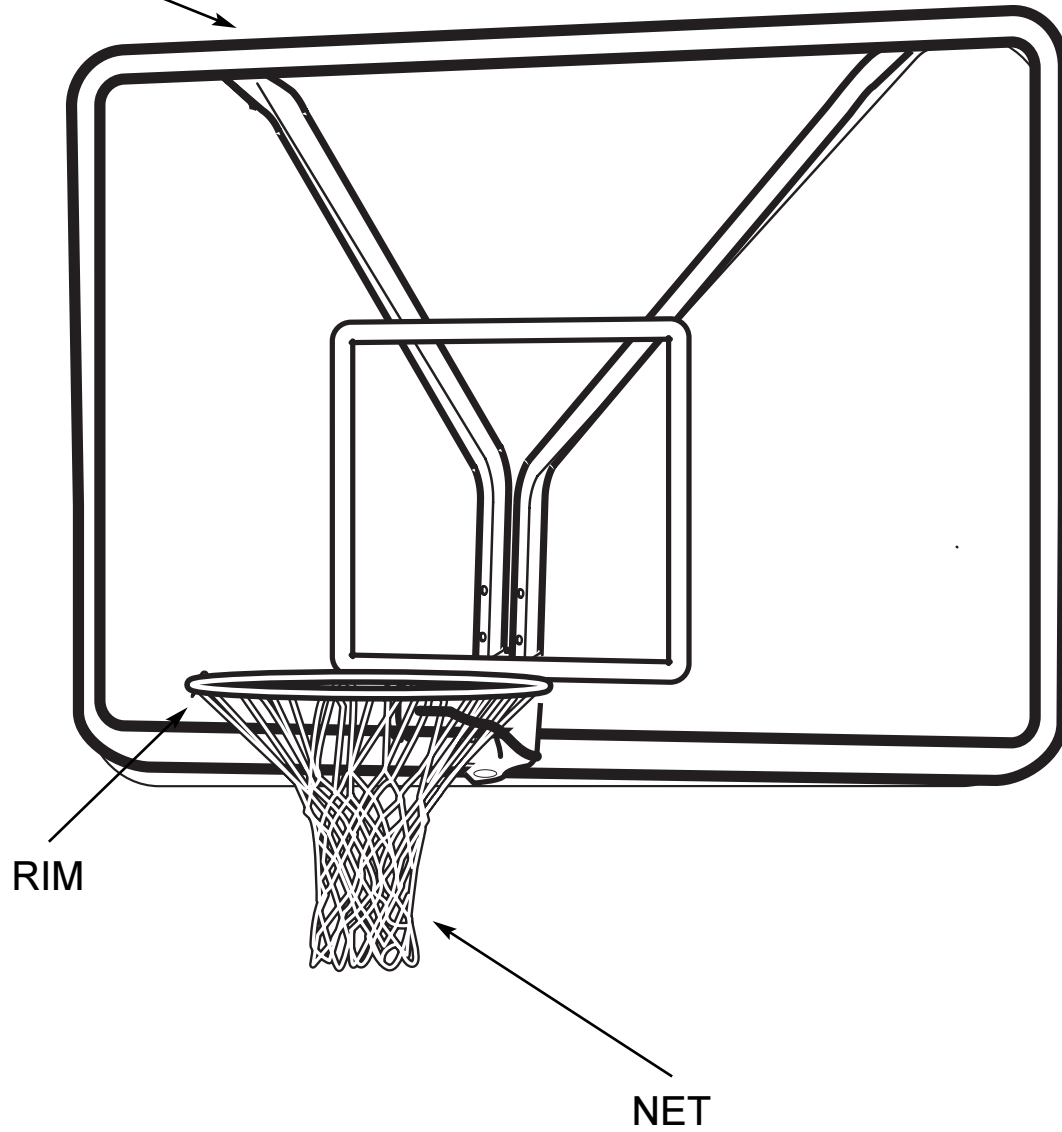


**WARRANTY CARD:**  
Please remember to complete your product registration form either on-line at:  
[www.huffysports.com/warrantycard](http://www.huffysports.com/warrantycard) or mail-in the enclosed postcard.

For more information on assembly, placement, proper use and maintenance, visit The American Basketball Council website at <http://www.smarthoops.com>.

FRONT

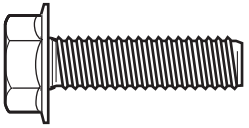
BACKBOARD



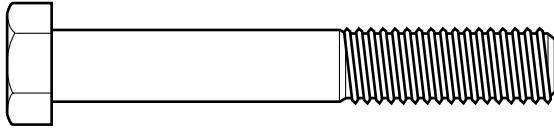
## PARTS LIST (See Hardware Identifiers)

<u>Item Qty.</u>	<u>Part No.</u>	<u>Description</u>	<u>Item Qty.</u>	<u>Part No.</u>	<u>Description</u>	
1	4	202341			"L" Bracket	
2	2	200837			Spacer, Plastic	
3	6	201107			Bolt, Hex Head, 1/4-20 x 1/2 Long	
4	6	203326			Washer, Lock, 1/4	
5	6	203228			Nut, 1/4-20	
6	8	203100			Hex Flange Nut 5/16-18	
7	4	203104			Bolt, Hex Flange, 5/16-18 x 2 Long	
8	2	900964			Bracket, Backboard Support	
9	2	206360			Bolt, Hex Head, 3/8-16 x 2.625 Long	
10	2	200874			Spacer, Steel .402 I.D. x .50 O.D. x 1.5 Long	
11	2	201124			Nut, 3/8-16	
			12	1	Rim	
			13	12	201219	Clip, Net Holder, Smart Clips
			14	1		Net
			15	4	205528	Bolt, Hex Flange, 5/16-18 x 1 Long
			16	8	203309	Washer, Flat
			17	4	202862	Spacer, Plastic, 1.19" Long
			18	2	201640	Bolt, Hex, 1/2-13 X 7.25 Long
			19	2	206340	Lock Nut, Nylon Insert, 1/2-13

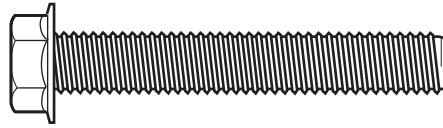
### HARDWARE IDENTIFIER (BOLTS)



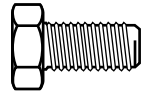
Item #15 (4)



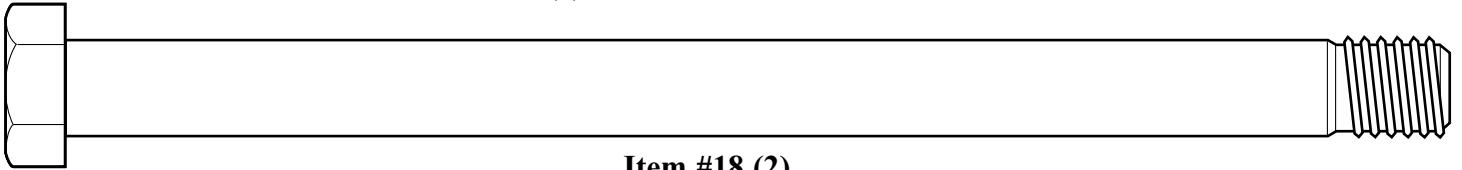
Item #9 (2)



Item #7 (4)

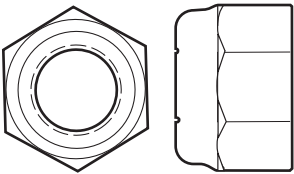


Item #3 (6)

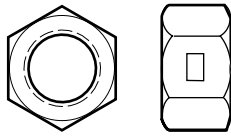


Item #18 (2)

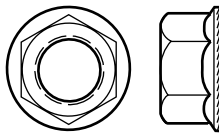
### HARDWARE IDENTIFIER (NUTS & WASHERS)



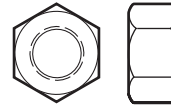
Item #19 (2)



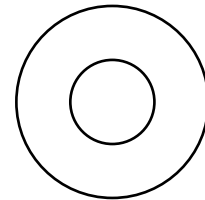
Item #11 (2)



Item #6 (8)



Item #5 (6)



Item #16 (8)



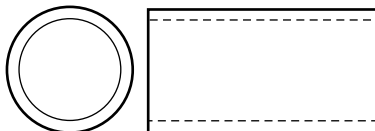
Item #4 (6)

### HARDWARE IDENTIFIER (STEEL SPACERS)



Item #10 (2)

### HARDWARE IDENTIFIER (PLASTIC SPACERS & CLIPS)



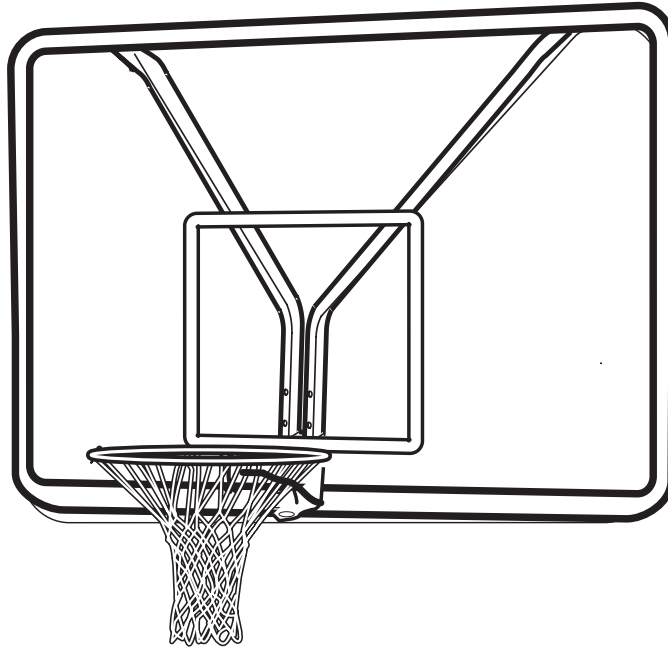
Item #17 (4)



Item #13 (12\*)

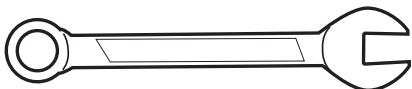
# SECTION A: ASSEMBLE THE BACKBOARD AND RIM

This is what your system will look like when you've finished this section:

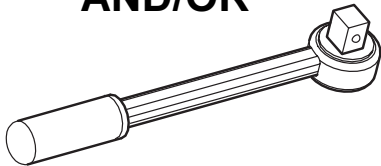


## TOOLS REQUIRED FOR THIS SECTION

**3/4", 9/16" and 1/2"**



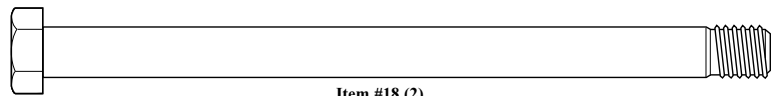
**AND/OR**



**3/4", 9/16" and 1/2"**



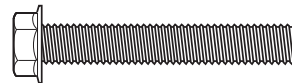
## HARDWARE USED IN THIS SECTION (not actual size)



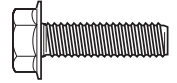
Item #18 (2)



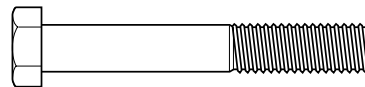
Item #3 (6)



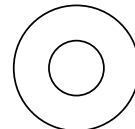
Item #7 (4)



Item #15 (4)



Item #9 (2)



Item #16 (8)



Item #4 (6)



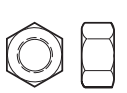
Item #19 (2)



Item #11 (2)



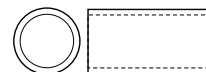
Item #6 (8)



Item #5 (6)



Item #10 (2)



Item #17 (4)



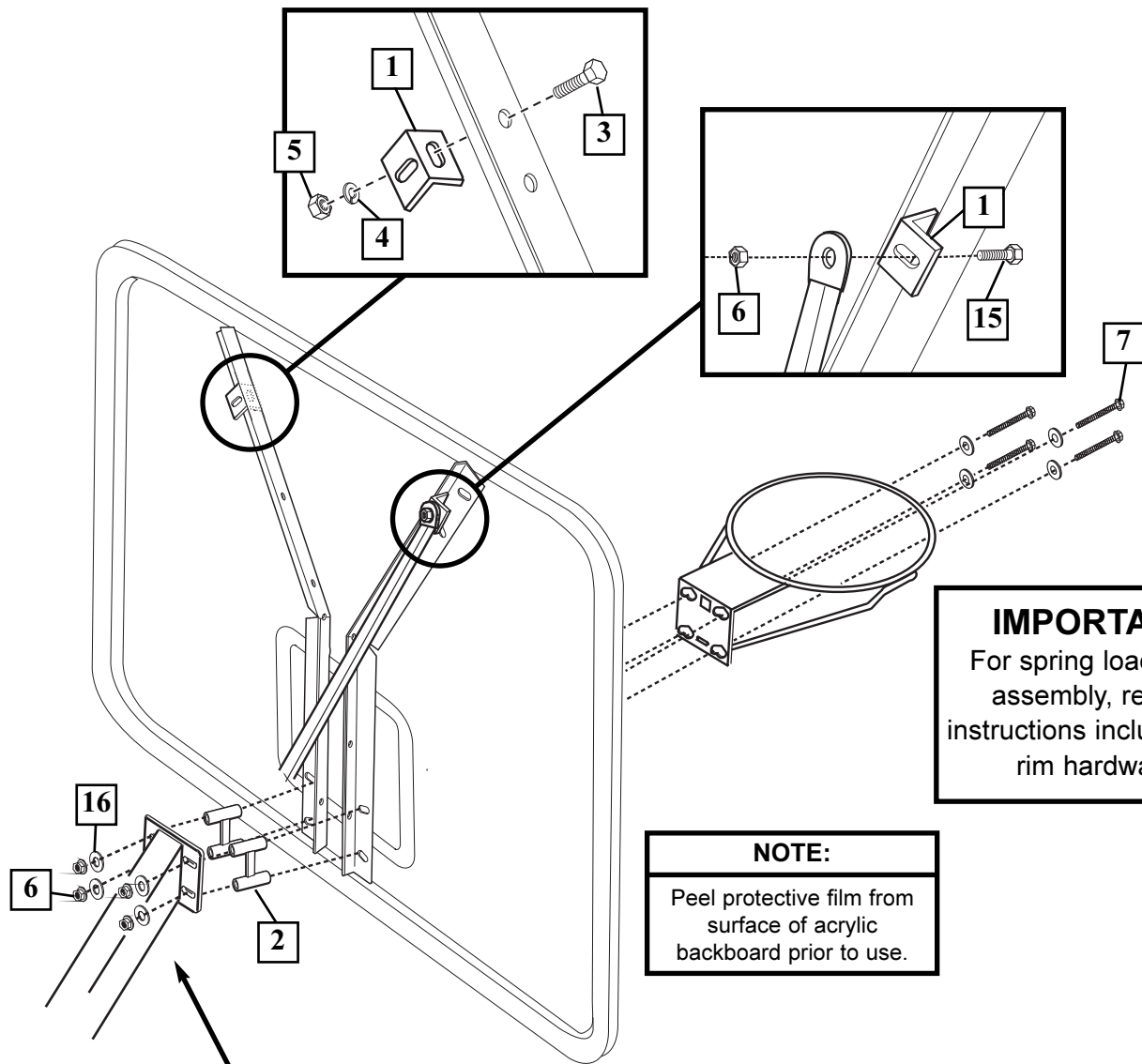
Item #13 (12\*)

**IMPORTANT!**

**1.**

For spring loaded rim assembly, refer to instructions included with rim hardware.

**EXTENSION ARM MOUNT    Extension Arm - Not Included**



**IMPORTANT!**  
For spring loaded rim assembly, refer to instructions included with rim hardware.

**NOTE:**  
Peel protective film from surface of acrylic backboard prior to use.

**NOTE:**  
We recommend mounting backboard to a solid material (steel) behind rim area.

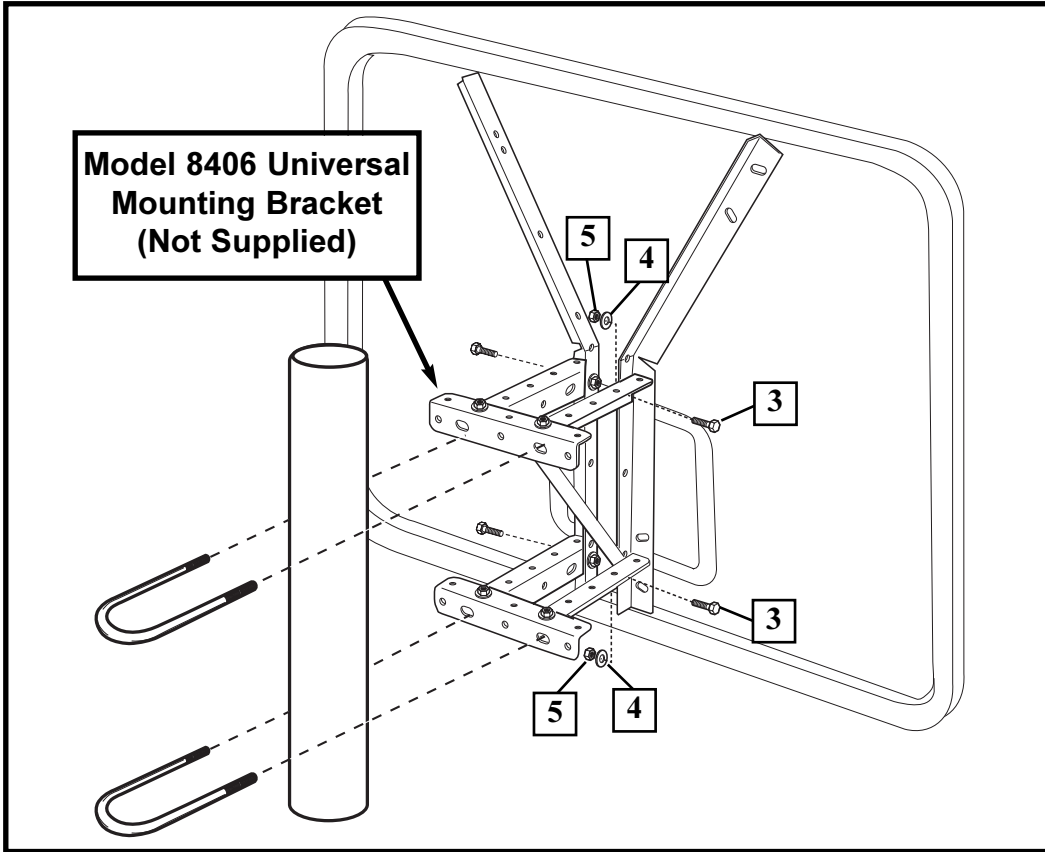
**WARNING:** IF YOUR SYSTEM IS EQUIPPED WITH AN ACRYLIC BACKBOARD, EXAMINE BACKBOARD FOR ANY DAMAGE THAT MAY HAVE OCCURRED DURING SHIPMENT. CRACKS IN THE BACKBOARD COULD RESULT IN SUDDEN BREAKAGE. IF BACKBOARD IS DAMAGED IN ANY WAY PRIOR TO OR AFTER ASSEMBLY, CALL TOLL-FREE NUMBER FOR FREE REPLACEMENT:  
U.S. 1-800-558-5234; CANADA: 1-800-284-8339; <http://www.huffysports.com>



**POLE, ROOF, OR WALL MOUNT**

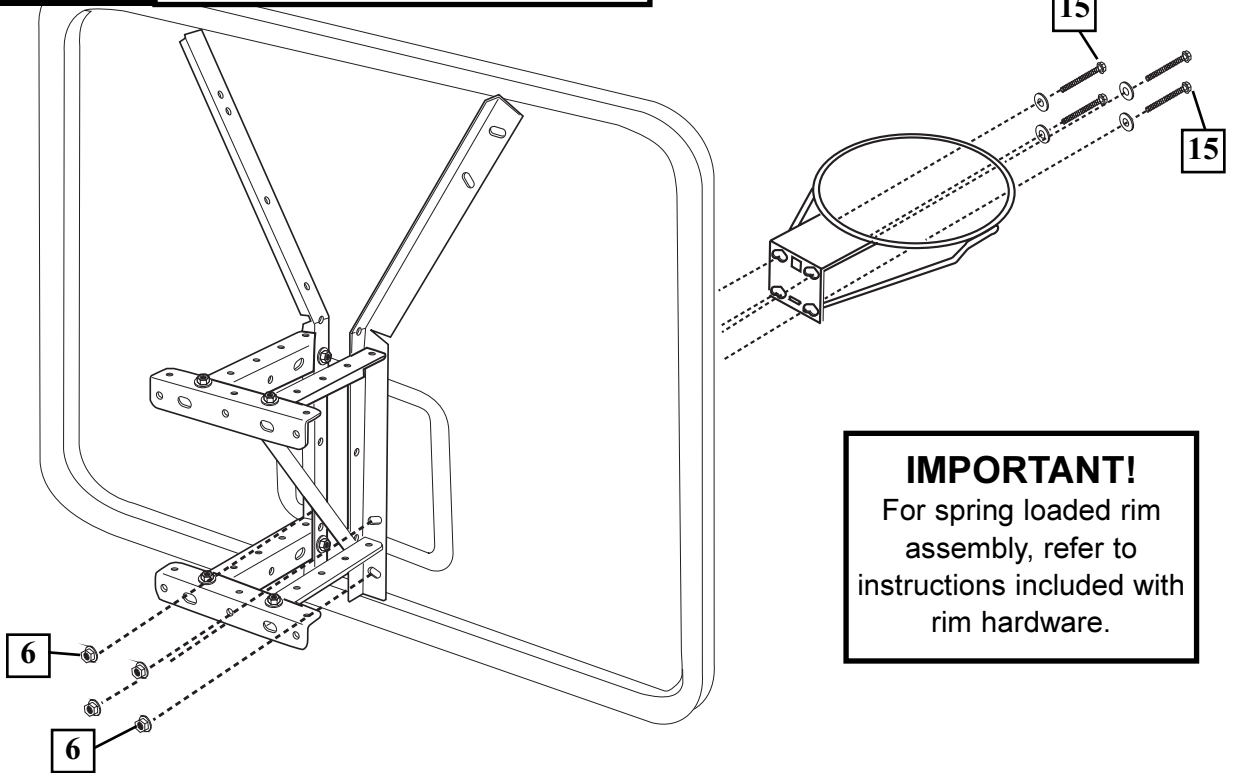
**Model 8406 Universal Mounting Bracket is available for purchase  
by calling this number: 1-800-558-5234**

**POLE MOUNT Pole Mount - Not Included**



**Model 8406  
Universal Mounting  
Bracket is available  
for purchase by  
calling this number:  
1-800-558-5234**

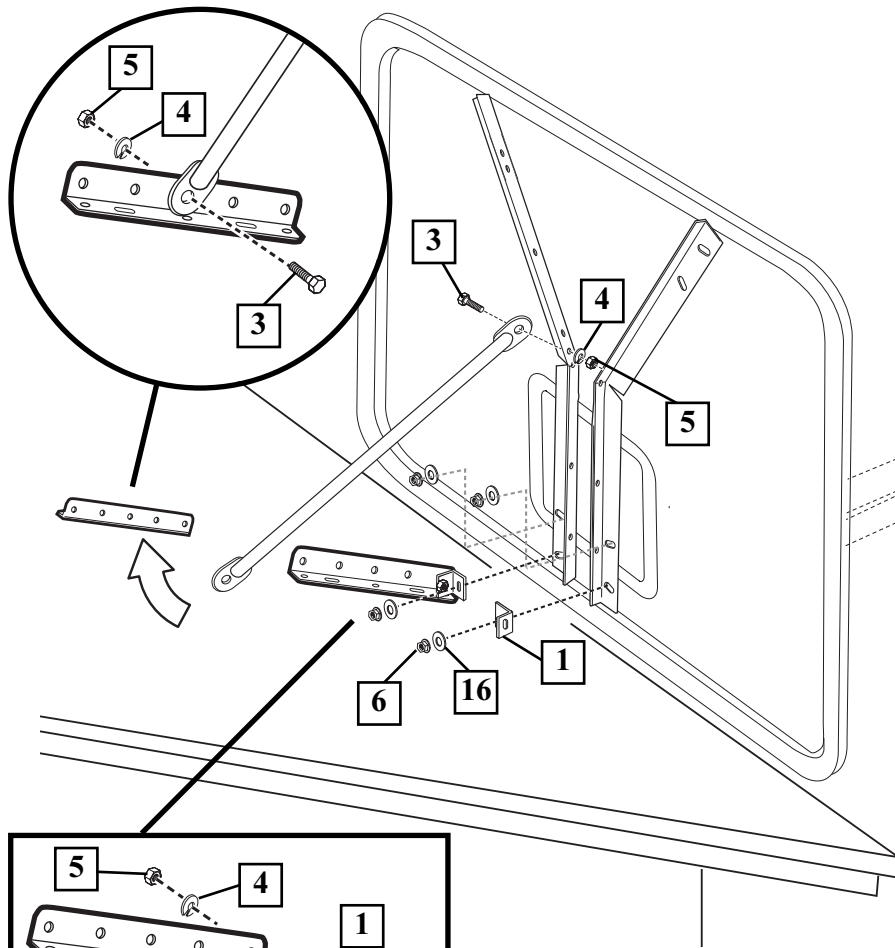
**WALL MOUNT Wall Mount - Not Included**



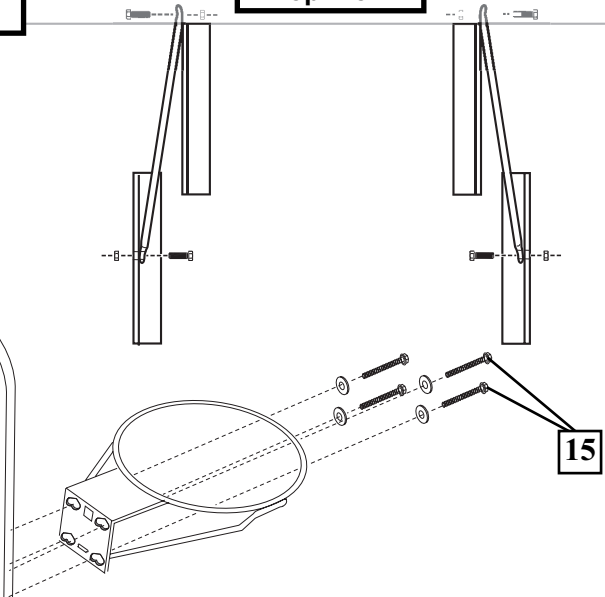
**IMPORTANT!**  
For spring loaded rim  
assembly, refer to  
instructions included with  
rim hardware.

# ROOF MOUNT

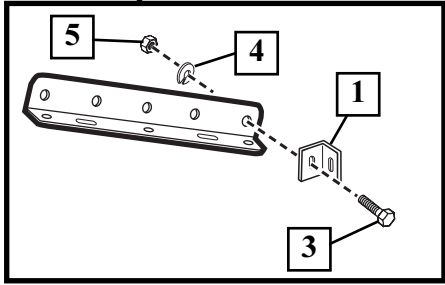
# Roof Mount - Not Included



# Top View



**IMPORTANT!**  
For spring loaded rim assembly, refer to instructions included with rim hardware.



**Model 8406 Universal Mounting Bracket (not supplied) is available for purchase by calling this number: 1-800-558-5234**

# ELEVATOR MOUNTS

## Specific Elevator Mount Components Are Not Included

### IMPORTANT!

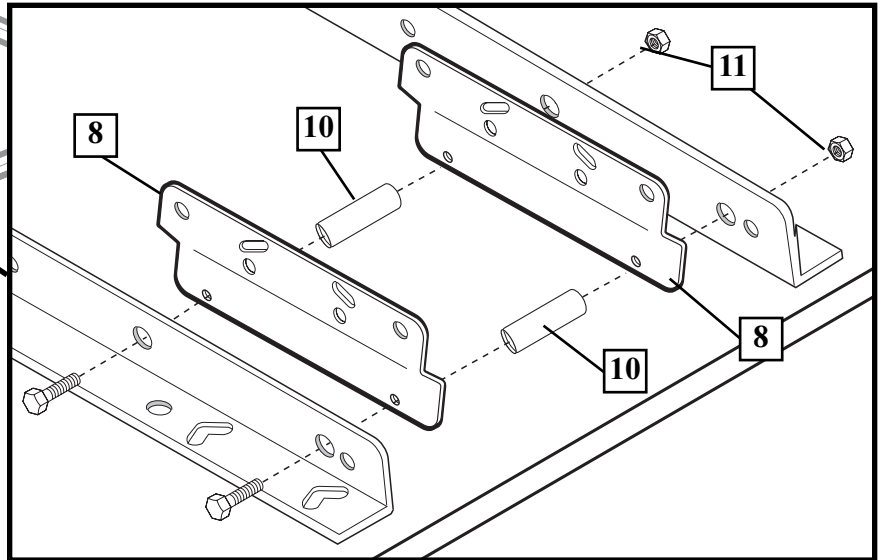
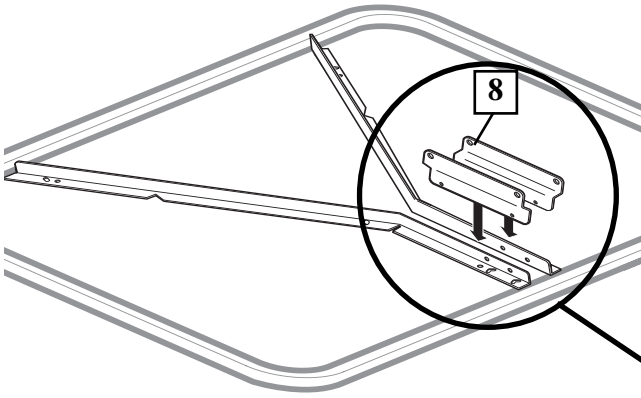
All Elevator mounts will require this initial step of attaching brackets (8) to the backboard.

### IMPORTANT!

It is necessary for all parts to be installed properly for this mechanism to work safely and properly.

### NOTE:

Peel protective film from surface of acrylic backboard prior to use.

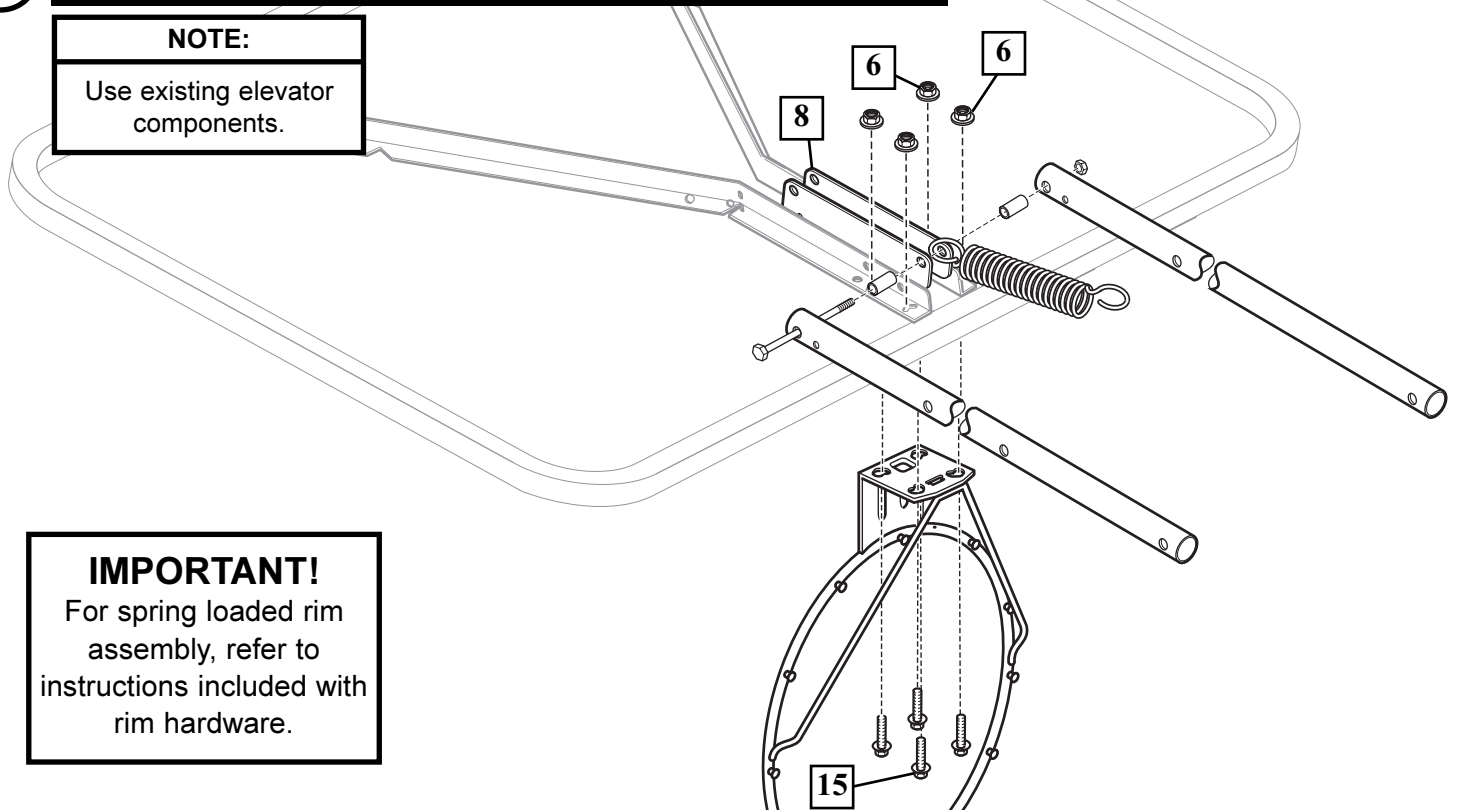


**A**

## SPRING STYLE ELEVATOR MOUNT

### NOTE:

Use existing elevator components.



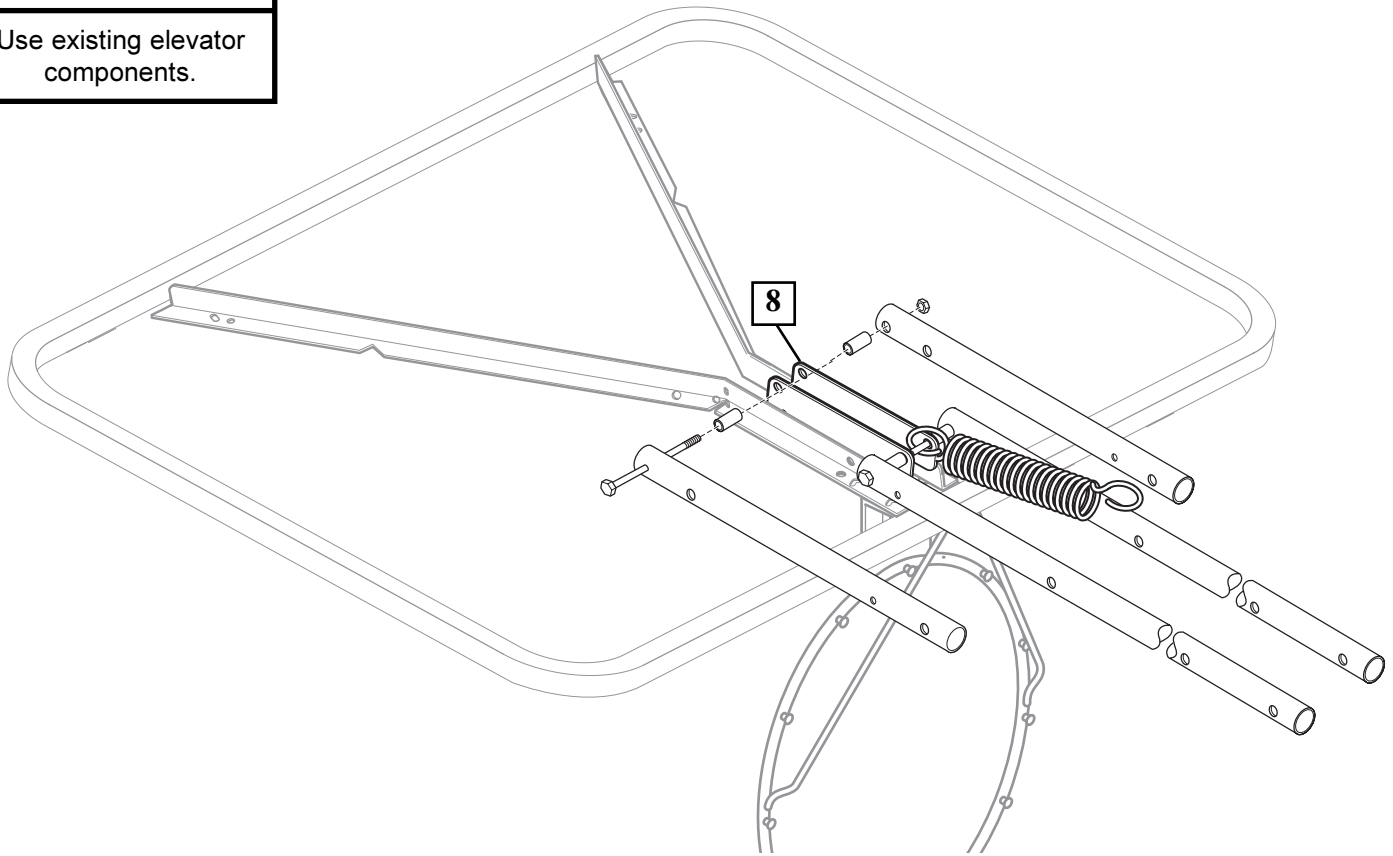
### IMPORTANT!

For spring loaded rim assembly, refer to instructions included with rim hardware.

## SPRING STYLE ELEVATOR MOUNT (continued)

**NOTE:**

Use existing elevator components.

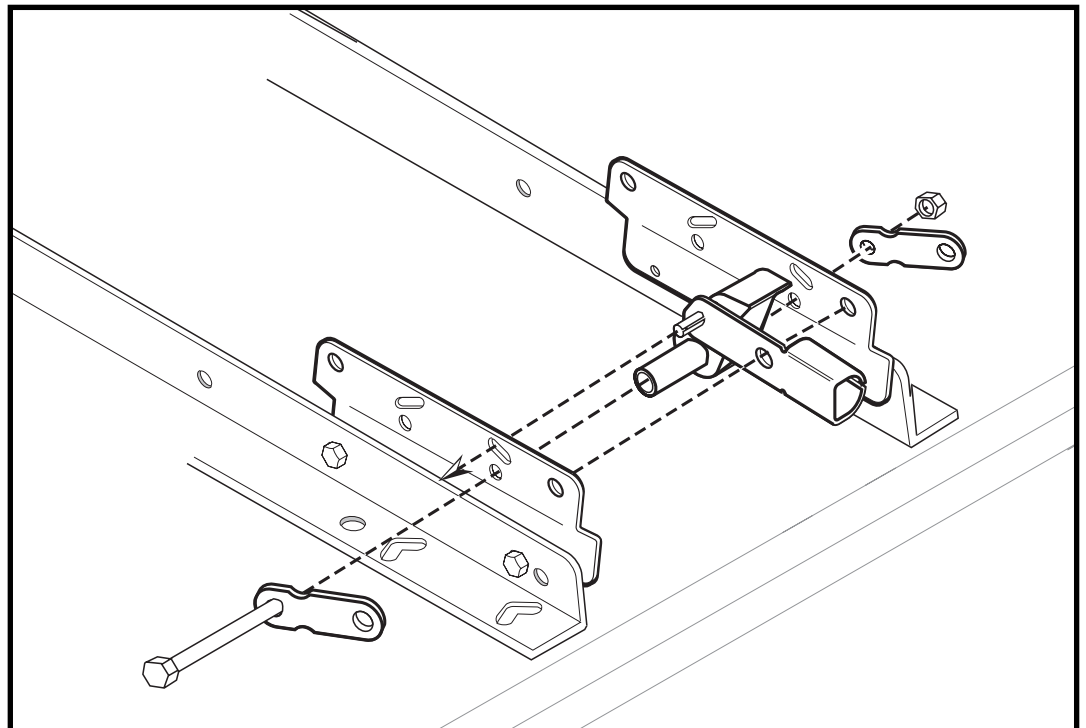


**B**

## BRONZE RATCHET ELEVATOR MOUNT

**NOTE:**

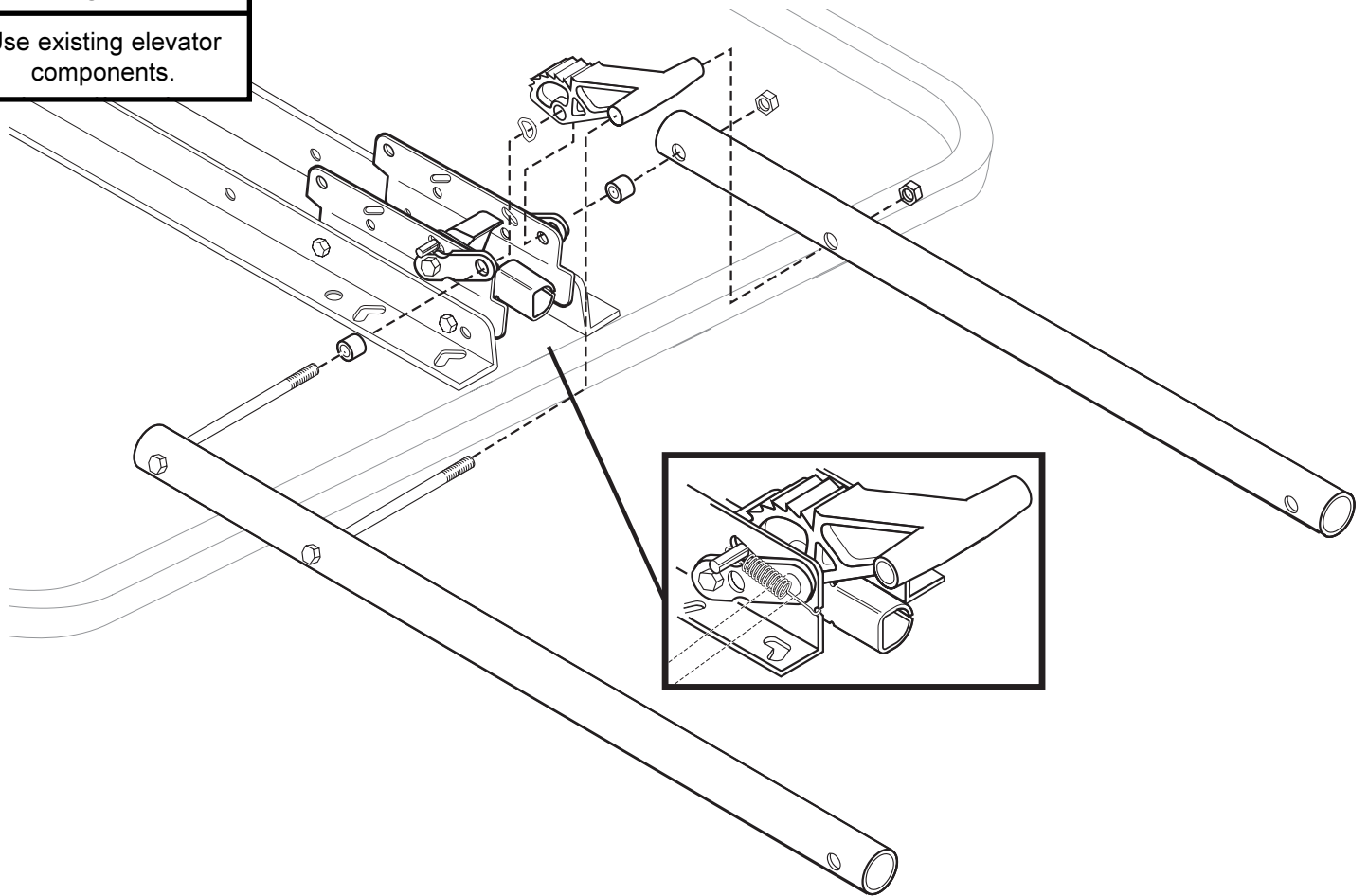
Use existing elevator components.



# BRONZE RATCHET ELEVATOR MOUNT (continued)

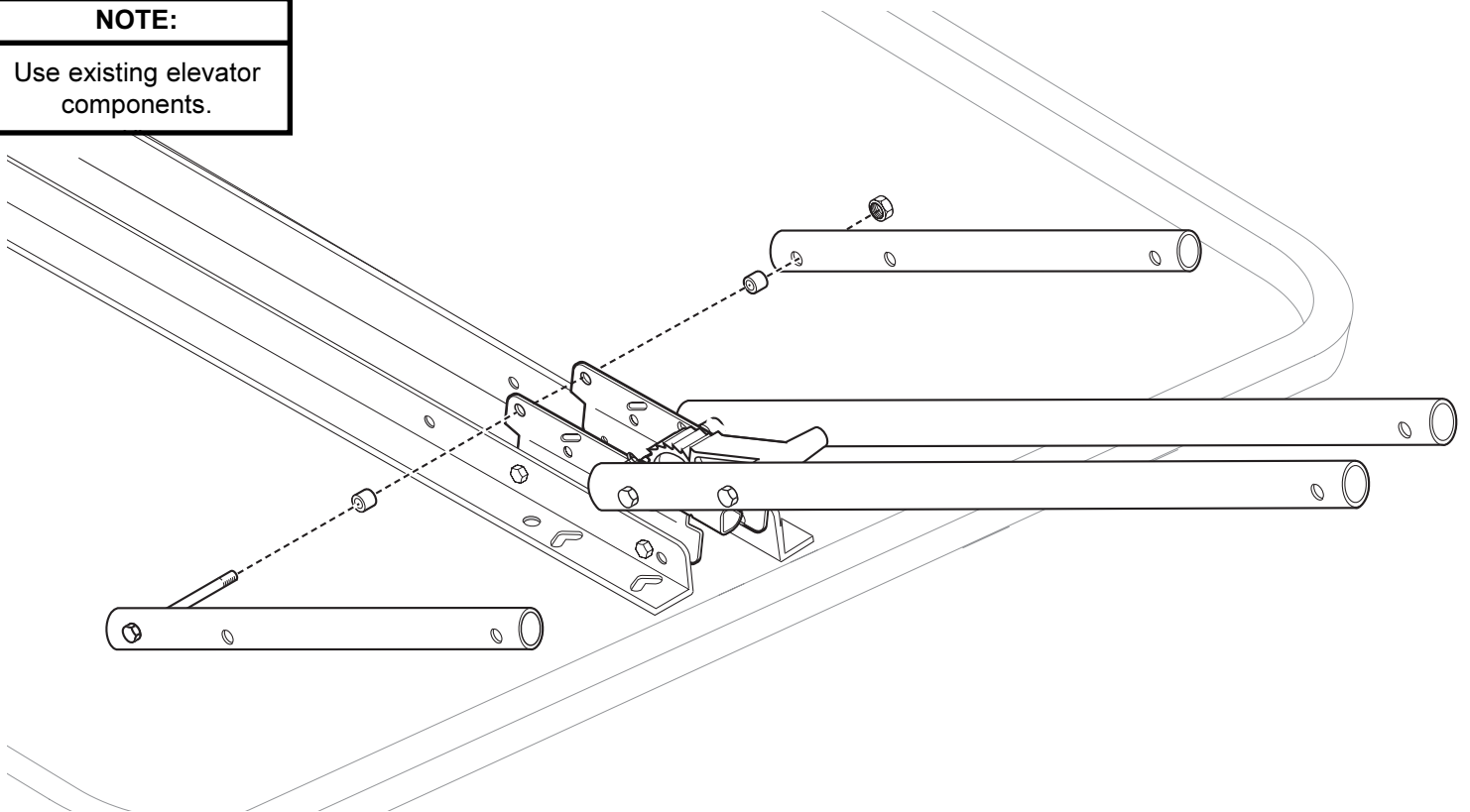
**NOTE:**

Use existing elevator components.



**NOTE:**

Use existing elevator components.

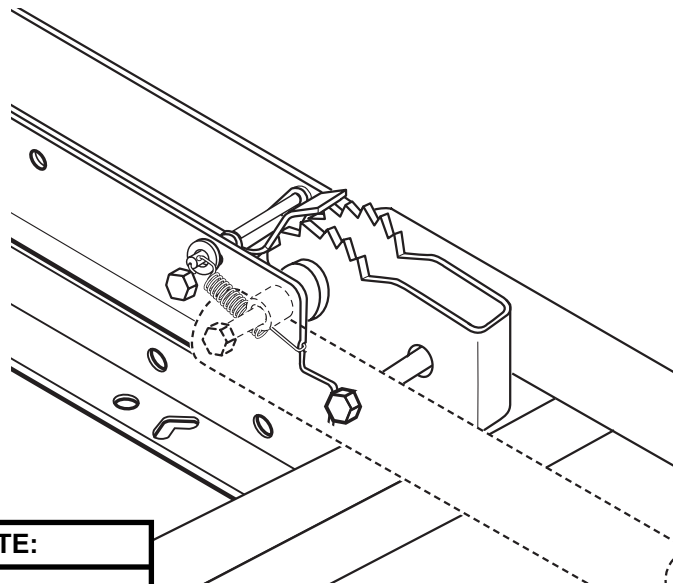
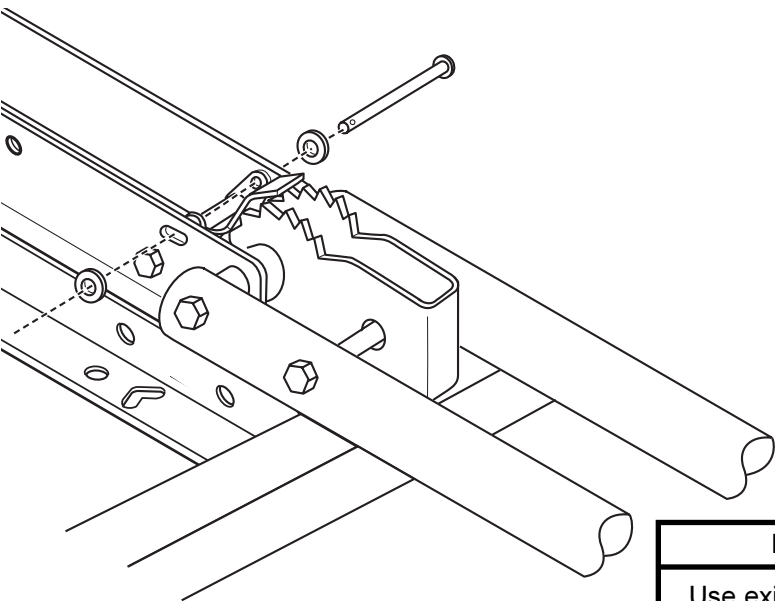
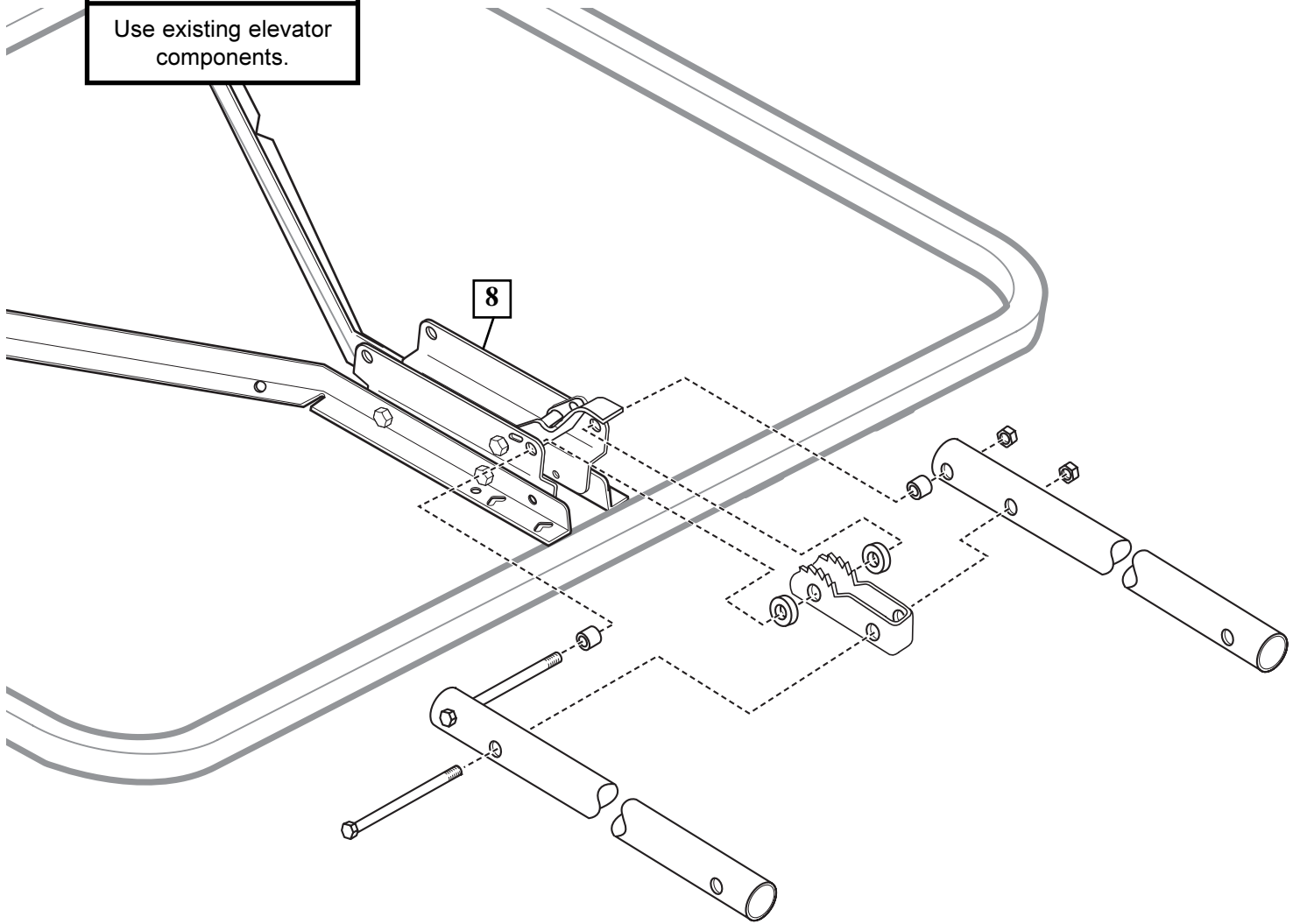


**C**

# STAMPED RATCHET ELEVATOR MOUNT

**NOTE:**

Use existing elevator components.



**NOTE:**

Use existing elevator components.

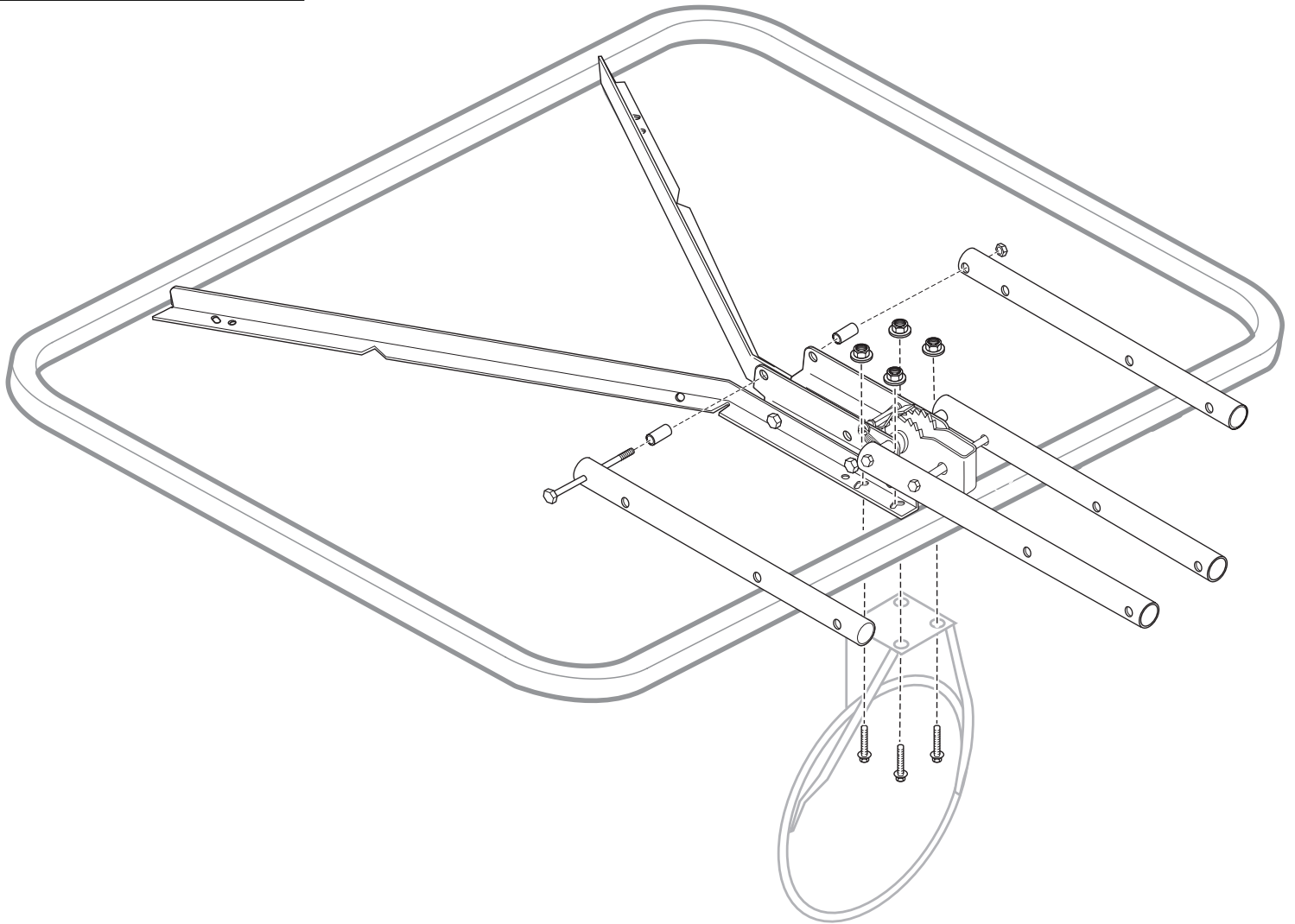
## STAMPED RATCHET ELEVATOR MOUNT (continued)

### IMPORTANT!

For spring loaded rim assembly, refer to instructions included with rim hardware.

### NOTE:

Use existing elevator components.



**D**

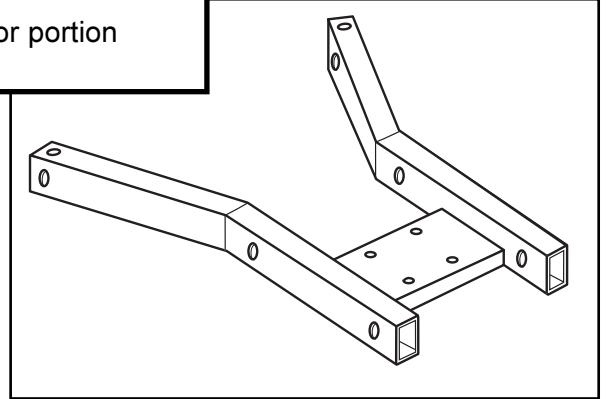
# APOLLO ELEVATOR MOUNT

**NOTE:**

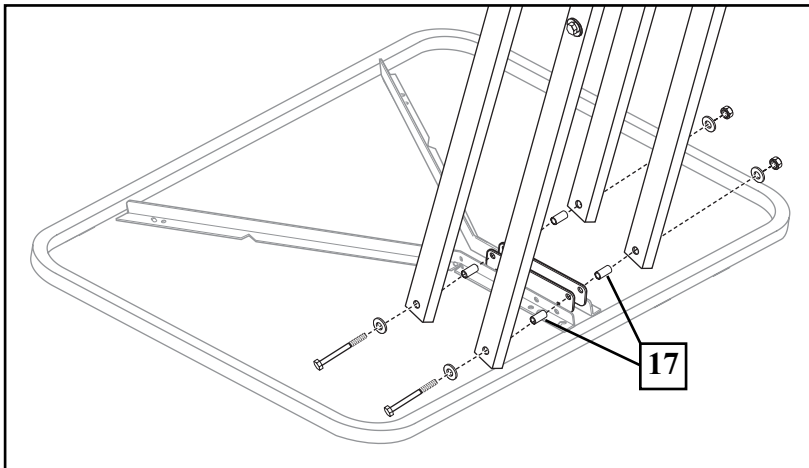
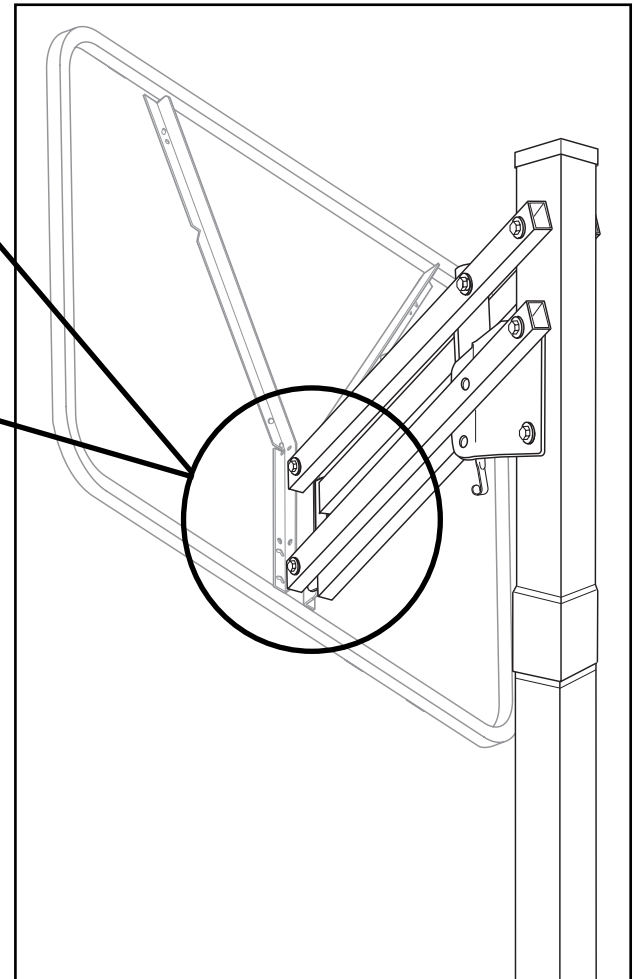
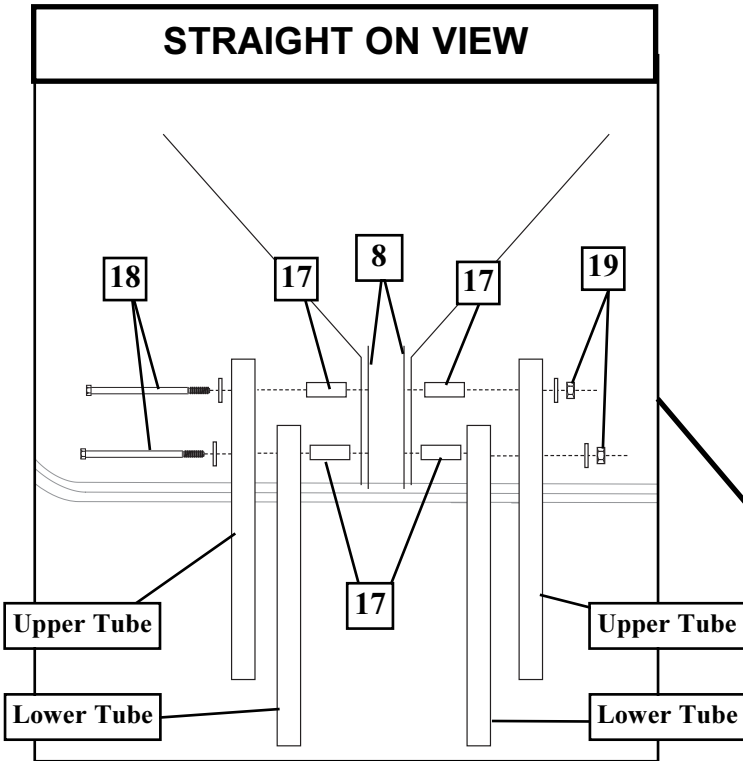
Use existing elevator components.

**IMPORTANT!**

Remove Y-Frame from elevator portion



## STRAIGHT ON VIEW

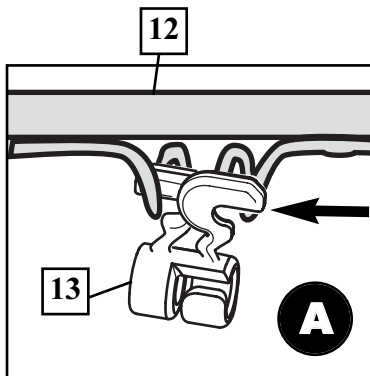
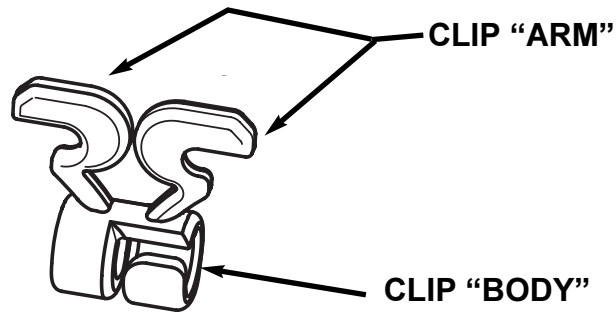




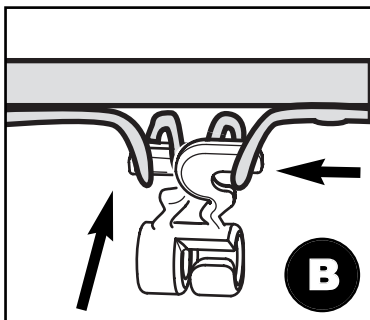
**2.** Install clips.

**⚠ WARNING!**

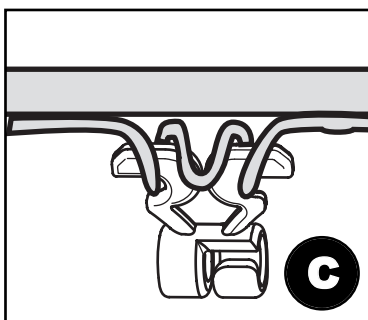
USE OF THIS PRODUCT WITHOUT PROPER INSTALLATION OF SMART CLIPS, OR WHEN ALL SMART CLIPS ARE NOT PRESENT COULD RESULT IN BODILY HARM. BE SURE TO FOLLOW DIRECTIONS CAREFULLY.



Insert one "arm" of clip into ram as shown. Twist "body" of clip slightly so that second "arm" slides over the top of the first "arm" as shown.  
Push in direction indicated by arrows.



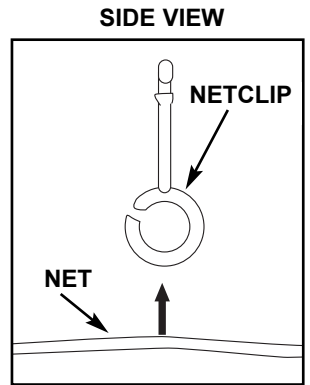
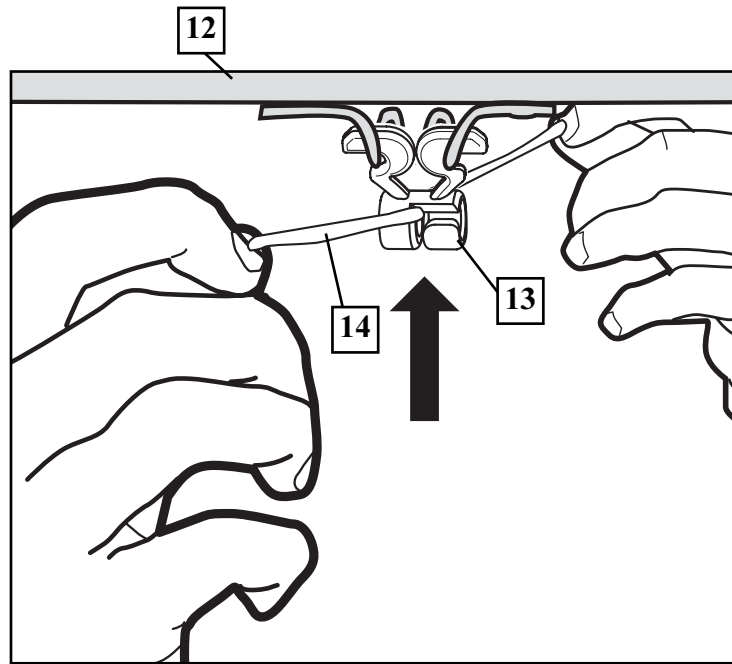
Push second "arm" back and into ram as shown.



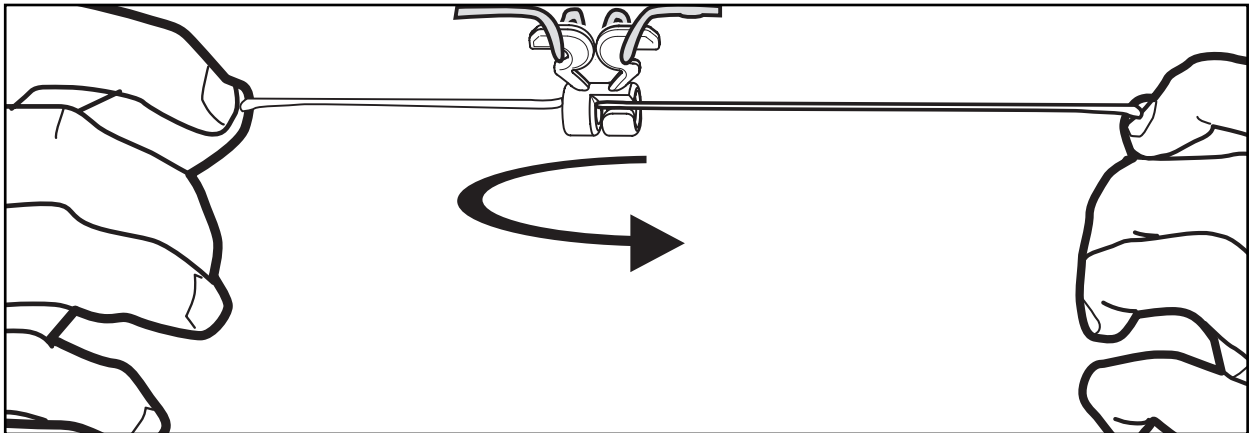
Twist "body" of clip slightly again to spread "arms" of clip. Clip "arms" must be flat and touching edge to edge as shown, not overlapping.

# NET INSTALLATION

5.



**Insert net into bottom of clip as shown.**



**Twist net until it snaps into position.  
Net must be centered through clip.**

