

Register your product and get support at
www.philips.com/welcome

AJB4500



EN User manual

PHILIPS

Contents

1	Important	5
	Safety	5
	Important notes for users in the U.K.	7
	Notice	9
	Recycling	10
<hr/>		
2	Your clock radio	11
	Introduction	11
	What's in the box	11
	Overview of the main unit	12
<hr/>		
3	Get started	15
	Prepare FM/DAB antenna	15
	Connect power	16
	Set the clock	16
<hr/>		
4	Use your clock radio	18
	Adjust the volume level	18
	Adjust display brightness	18
	Listen to FM radio	18
	Program radio stations automatically	18
	Program radio stations manually	19
	Listen to a preset radio station	19
	Show RDS information	19
	Listen to Digital Audio Broadcasts (DAB)	20
	Tune to DAB radio station manually	21
	Scan DAB radio stations automatically	21
	Program DAB radio stations manually	22
	Listen to a preset DAB radio station	22
	Show DAB information	22

Set the alarm timer	23
Turn on/off the alarm timer	23
Repeat alarm	24
Reset alarm	24
Stop alarm sound	24
View the alarm settings	24
<hr/>	
5 Use more of your clock radio	25
Listen to portable audio players	25
Set the sleep timer	25
Perform more functions through DAB menu	26
<hr/>	
6 Product information	28
Specifications	28
Tuner (FM)	28
General information	28
RDS program types	29
About DAB	31
<hr/>	
7 Troubleshooting	32

1 Important

Safety

Know these safety symbols



This 'bolt of lightning' indicates uninsulated material within your unit may cause an electrical shock. For the safety of everyone in your household, please do not remove product covering.

The 'exclamation point' calls attention to features for which you should read the enclosed literature closely to prevent operating and maintenance problems.

WARNING: To reduce the risk of fire or electric shock, this apparatus should not be exposed to rain or moisture and objects filled with liquids, such as vases, should not be placed on this apparatus.

CAUTION: To prevent electric shock, match wide blade of plug to wide slot, fully insert.

- ① Read these instructions.
- ② Keep these instructions.
- ③ Heed all warnings.
- ④ Follow all instructions.

- ⑤ Do not use this apparatus near water.
- ⑥ Clean only with dry cloth.
- ⑦ Do not block any ventilation openings. Install in accordance with the manufacturer's instructions.
- ⑧ Do not install near any heat sources such as radiators, heat registers, stoves, or other apparatus (including amplifiers) that produce heat.
- ⑨ Protect the power cord from being walked on or pinched, particularly at plugs, convenience receptacles, and the point where they exit from the apparatus.
- ⑩ Only use attachments/accessories specified by the manufacturer.
- ⑪ Use only with the cart, stand, tripod, bracket, or table specified by the manufacturer or sold with the apparatus. When a cart is used, use caution when moving the cart/apparatus combination to avoid injury from tip-over.



- ⑫ Unplug this apparatus during lightning storms or when unused for long periods of time.
- ⑬ Refer all servicing to qualified service personnel. Servicing is required when the apparatus has been damaged in any way, such as power-supply cord or plug is damaged, liquid has been spilled or objects have fallen into the apparatus, the apparatus has been exposed to rain or moisture, does not operate normally, or has been dropped.

- ⑭ Apparatus shall not be exposed to dripping or splashing.
- ⑮ Do not place any sources of danger on the apparatus (e.g. liquid filled objects, lighted candles).
- ⑯ This product may contain lead and mercury. Disposal of these materials may be regulated due to environmental considerations. For disposal or recycling information, please contact your local authorities or the Electronic Industries Alliance: www.eiae.org.

Where the MAINS plug or an appliance coupler is used as the disconnect device, the disconnect device shall remain readily operable.

Important notes for users in the U.K.

Mains plug

This apparatus is fitted with an approved 13 Amp plug. To change a fuse in this type of plug proceed as follows:

- ① Remove fuse cover and fuse.
- ② Fix new fuse which should be a BS1362 3 Amp, A.S.T.A. or BSI approved type.
- ③ Refit the fuse cover.

If the fitted plug is not suitable for your socket outlets, it should be cut off and an appropriate plug fitted in its place.

If the mains plug contains a fuse, this should have a value of 3 Amp. If a plug without a fuse is used, the fuse at the distribution board should not be greater than 3 Amp.

Note: The severed plug must be disposed off to avoid a possible shock hazard should it be inserted into a 13 Amp socket elsewhere.

How to connect a plug

The wires in the mains lead are coloured with the following code:
blue = neutral (N), brown = live (L).

As these colours may not correspond with the colour markings identifying the terminals in your plug, proceed as follows:

- Connect the blue wire to the terminal marked N or coloured black.
- Connect the brown wire to the terminal marked L or coloured red.
- Do not connect either wire to the earth terminal in the plug, marked E (or e) or coloured green (or green and yellow).

Before replacing the plug cover, make certain that the cord grip is clamped over the sheath of the lead - not simply over the two wires.

Copyright in the U.K.

Recording and playback of material may require consent. See Copyright Act 1956 and The performer's Protection Acts 1958 to 1972.



Warning

- Never remove the casing of this clock radio.
- Never lubricate any part of this clock radio.
- Place this clock radio on a flat, hard and stable surface.
- Never place this clock radio on other electrical equipment.
- Only use this clock radio indoors. Keep this clock radio away from water, moisture and liquid-filled objects.
- Keep this clock radio away from direct sunlight, naked flames or heat.

Notice

Any changes or modifications made to this device that are not expressly approved by Philips Consumer Lifestyle may void the user's authority to operate the equipment.



This product complies with the radio interference requirements of the European Community.

This product complies with the requirements of the following directives and guidelines: 2004/108/EC + 2006/95/EC

Recycling

Your product is designed and manufactured with high quality materials and components, which can be recycled and reused. When you see the crossed-out wheel bin symbol attached to a product, it means the product is covered by the European Directive 2002/96/EC:



Never dispose of your product with other household waste. Please inform yourself about the local rules on the separate collection of electrical and electronic products. The correct disposal of your old product helps prevent potentially negative consequences on the environment and human health.

Environmental information

All unnecessary packaging has been omitted. We have tried to make the packaging easy to separate into three materials: cardboard (box), polystyrene foam (buffer) and polyethylene (bags, protective foam sheet.)

Your system consists of materials which can be recycled and reused if disassembled by a specialized company. Please observe the local regulations regarding the disposal of packaging materials, exhausted batteries and old equipment.

2 Your clock radio

Congratulations on your purchase, and welcome to Philips! To fully benefit from the support that Philips offers, register your product at www.philips.com/welcome.

Introduction

With this clock radio, you can enjoy both FM radio and Digital Audio Broadcasting (DAB) radio. You can also listen to portable audio players through this clock radio.

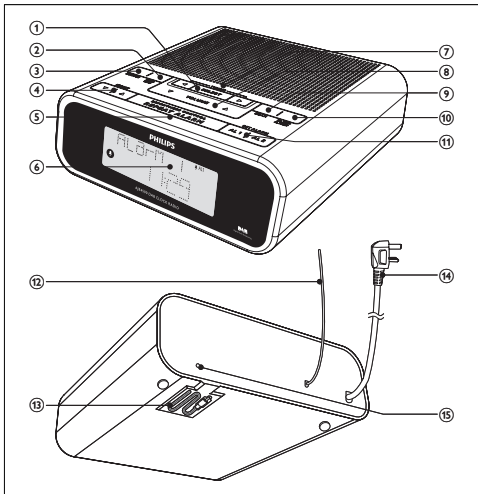
You can set two separate alarm timings. For the alarm sound, you can select the FM radio, DAB radio, or the buzzer.

What's in the box

Check and identify the contents of your package:

- Main unit
- User manual
- Quick start guide

Overview of the main unit



① SELECT

- Set the clock.
- Program FM/DAB radio stations.
- Confirm DAB menu selection.

② INFO/MENU

- Select DAB menu.
- Display DAB and RDS information.

- ③ **SOURCE**
 - Select a mode: DAB, FMTUNER, MP3 LINK or clock (standby).
- ④ **PRESET ▲▼**
 - Select a preset radio station.
 - Set the time for the clock and alarm.
- ⑤ **BRIGHTNESS CONTROL/REPEAT ALARM**
 - Select the display brightness.
 - Repeat the alarm.
- ⑥ **Display panel**
 - Show current status.
- ⑦ **TUNING ◀▶**
 - Tune to FM/DAB radio stations.
 - Select DAB menu option.
- ⑧ **VOLUME ▲▼**
 - Adjust the volume level.
- ⑨ **SCAN**
 - Scan FM/DAB radio stations.
- ⑩ **SLEEP/AL RESET**
 - Set the sleep timer.
 - Reset the alarm.
- ⑪ **SET ALARM AL1/AL2**
 - Set the alarm.
- ⑫ **FM/DAB antenna**
 - Improve FM/DAB reception.
- ⑬ **Audio in cable**
 - Connect to a portable audio player.

- ⑭ **Power plug**
 - Power supply plug.
- ⑮ **Reset button**
 - Reset the clock radio.

3 Get started



Caution

- Use the controls only as stated in this user manual.

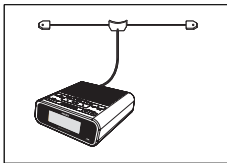
Always follow the instructions in this chapter in sequence. If you contact Philips, you will be asked for the model and serial number of your clock radio. The model number and serial number are on the bottom of your clock radio. Write the numbers here:

Model No. _____

Serial No. _____

Prepare FM/DAB antenna

- 1 Fully extend the antenna and fix it to the wall as shown below.



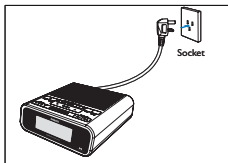
Connect power



Caution

- Risk of product damage! Ensure that the power supply voltage corresponds to the voltage printed on the back or the underside of the clock radio.
- Risk of electric shock! When you disconnect the power supply, always pull the plug from the socket. Never pull the cord.

- 1 Connect the power plug to the power outlet.



Set the clock

- 1 In standby mode, press and hold **SELECT** for two seconds.
↳ **[SYNC ON]** is displayed and **[ON]** begins to blink.
- 2 Press **PRESET▲▼** to select **ON** or **OFF**.
↳ If you select **[ON]**, the clock radio reads the DAB/RDS time and sets the clock automatically.

- ↳ If you select **[OFF]**, the clock radio turns off the time synchronization.
- 3 Press **SELECT** to confirm.
↳ The time format [24H] or [12H] begins to blink.
- 4 Press **PRESET▲▼** to select 24H or 12H.
- 5 Press **SELECT** to confirm.
↳ The hour digits are displayed and begin to blink.
- 6 Press **PRESET▲▼** to set the hour.
- 7 Press **SELECT** to confirm.
↳ The minute digits are displayed and begin to blink.
- 8 Press **PRESET▲▼** to set the minute.
- 9 Press **SELECT** to confirm the clock setting.



Note

- The accuracy of the transmitted time depends on the RDS station that transmits the time signal.
- If the power supply is disconnected, the settings and clock are saved for 3 minutes.

4 Use your clock radio

Adjust the volume level

- 1 During play, press **VOLUME ▲▼** to increase/decrease the volume level.
-

Adjust display brightness

- 1 Press **BRIGHTNESS CONTROL/REPEAT ALARM** repeatedly to select different brightness of the display:
 - Full brightness
 - Half brightness
 - Backlight off
-

Listen to FM radio

- 1 Press **SOURCE** repeatedly to select **[FM--TUNER]**.
- 2 Press **TUNING ◀▶** to tune to a radio station.

To search for a radio station automatically:

- 1 Press **TUNING ◀▶**.
 - 2 Press **SCAN**.
 - ↳ The FM tuner tunes to a station with strong reception automatically.
-

Program radio stations automatically

You can program a maximum of 20 preset radio stations.

- 1 Press **SOURCE** repeatedly to select **[FM--TUNER]**.
- 2 Press and hold **SCAN** for two seconds.
 - ↳ **[FM SCAN]** appears.

- ↳ All available stations are programmed in the order of waveband reception strength.
- ↳ The first programmed radio station broadcasts automatically.

Program radio stations manually

You can program a maximum of 20 preset radio stations.

- 1 Tune to a radio station.
- 2 Press **PRESET**▲▼ to select the desired preset number.
- 3 Press and hold **SELECT** for two seconds.
 - ↳ The preset number of the saved station appears.



Tip

- To overwrite a programmed station, store another station in its place.

Listen to a preset radio station

- 1 Press **SOURCE** repeatedly to select **[FM--TUNER]**.
- 2 Press **PRESET**▲▼ to select a preset number.

Show RDS information

RDS (Radio Data System) is a service that allows FM stations to show additional information. If you tune to a RDS station, the station name is displayed.

- 1 Tune to a RDS station.

- 2 Press **INFO/MENU** repeatedly to scroll through the following information (if available):
 - ↳ Station name
 - ↳ Radio text messages
 - ↳ Program type such as [NEWS] (news), [SPORT] (sport), [POP M] (pop music)...
 - ↳ Clock time
 - ↳ Frequency



Tip

- Detailed definitions of RDS program types are available (see 'RDS program types' on page 29).

Listen to Digital Audio Broadcasts (DAB)

Digital Audio Broadcasting (DAB), is a way of broadcasting radio digitally through a network of transmitters. It provides you with more choice, better sound quality and more information.

- 1 Press **SOURCE** repeatedly to select **[DAB]**.
 - ↳ When you enter the DAB mode for the first time, the clock radio automatically scans DAB radio stations. The clock radio stores all available DAB radio stations and then broadcasts the first available station.
 - ↳ The last selected DAB radio station broadcasts automatically.



Note

- If no DAB service is available, **[NO SERV]** is displayed.



Tip

- Detailed information about DAB is available (see 'About DAB' on page 31).

Tune to DAB radio station manually

- 1 Press **SOURCE** repeatedly to select **[DAB]**.
- 2 Press **TUNING** ◀▶ to navigate the service list.
- 3 Press **SELECT** to confirm the selected DAB radio station.

Scan DAB radio stations automatically

You can perform both full scan and local scan to search for DAB radio stations.

- Full scan: For users outside the UK. Wide range search.
- Local scan: Only available in the UK. Small range search.

Full scan:

- 1 In DAB mode, press and hold **SCAN** for more than two seconds.
 - ↳ The clock radio scans all available DAB radio stations and broadcasts the first available station.

Local scan:

- 1 In DAB mode, press **SCAN**.
 - ↳ The clock radio scans all available local DAB radio stations and broadcasts the first available station.
-

Program DAB radio stations manually

You can program a maximum of 20 preset DAB radio stations.

- 1 Tune to a DAB radio station.
 - 2 Press **PRESET ▲▼** to select a preset number.
 - 3 Press and hold **SELECT** for two seconds.
 - ↳ The preset number of the saved station appears.
-

Listen to a preset DAB radio station

- 1 Press **SOURCE** repeatedly to select **[DAB]**.
 - 2 Press **PRESET ▲▼** to select a preset number.
-

Show DAB information

- 1 Tune to a DAB radio station.
- 2 Press **INFO/MENU** repeatedly to scroll through the following information (if available):
 - ↳ Dynamic label segment (DLS)
 - ↳ Program type (PTY)
 - ↳ Ensemble Name
 - ↳ Time
 - ↳ Channel and frequency
 - ↳ Bit rate and audio status
 - ↳ Signal error rate

Set the alarm timer

You can set two separate alarm timings. For the alarm sound, you can select the FM radio, DAB radio, or the buzzer.

- 1 Before you start, ensure that the clock is set correctly.
- 2 Press and hold **AL1/AL2** for two seconds.
 - ↳ The sound source icon, AL1/AL2 icon and the hour digits are displayed and begin to blink.
- 3 Press **SOURCE** repeatedly to select a sound source: DAB, FM Tuner or Buzzer.
- 4 Press **PRESET ▲▼** to set the hour.
- 5 Press **AL1/AL2**.
 - ↳ The minute digits are displayed and begin to blink.
- 6 Press **PRESET ▲▼** to set the minute.
- 7 Press **AL1/AL2** to confirm.
 - ↳ The alarm icon is displayed.
 - ↳ The clock radio turns on automatically at the set time and switches to the selected source.

Turn on/off the alarm timer



Note

- Ensure that you already set the alarms successfully.

- 1 Press **AL1/AL2** to turn on or off the alarm timer.
 - ↳ If the alarm timer is turned on, the alarm icon appears.

- ↳ If the alarm timer is turned off, the alarm icon disappears.
-

Repeat alarm

- 1 When the alarm sounds, press **BRIGHTNESS CONTROL/REPEAT ALARM**.
 - ↳ The source icon and the alarm icon begin to blink.
 - ↳ The alarm stops for nine minutes.
-

Reset alarm

- 1 When the alarm sounds, press **SLEEP/AL RESET**.
 - ↳ The alarm stops but the alarm settings retain for the next day.
-

Stop alarm sound

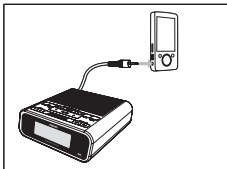
- 1 When the alarm sounds, press **AL1/AL2**.
 - ↳ The alarm stops but the alarm settings remain.
-

View the alarm settings

- 1 Press **AL1/AL2**.

5 Use more of your clock radio

Listen to portable audio players



- 1 Take out the audio in cable from the bottom of the clock radio.
- 2 Connect the audio in cable to the headphone or audio out jack of a portable audio player.
- 3 Press **SOURCE** repeatedly to select **[MP3--LINK]**.
- 4 Play music on the portable audio player.
↳ You can enjoy the music through the clock radio.
- 5 To adjust the volume, press **VOLUME▲▼**.

Set the sleep timer

- 1 While you listen to a source, press **SLEEP/AL RESET** repeatedly to select a set period of time (in minutes).
↳ The clock radio turns off automatically after the set period of time.

To turn off the sleep timer:

- 1 Press **SLEEP/AL RESET** repeatedly until **[OFF]** appears.

Perform more functions through DAB menu

- 1 In DAB mode, press and hold **INFO/MENU** for two seconds to enter the DAB menu.
- 2 Press **TUNING** ◀▶ to select:
 - **[MANUAL]** (tune manually)
 - **[SCAN LOC]** (local scan)
 - **[SCANFULL]** (full scan)
 - **[DRC]** (dynamic range control)
 - **[VERSION]** (display software version)
- 3 If you select **[DRC]**, press **SELECT** to confirm, and then press **TUNING** ◀▶ to select:
 - **[DRC 0]** (Dynamic Range Control is switched off)
 - **[DRC 1/2]** (Dynamic Range Control is set to half normal level)
 - **[DRC 1]** (Dynamic Range Control is switched on; the default setting recommended for noisy environment)
- 4 Press **SELECT** to confirm.



Tip

- Dynamic range control (DRC) adds or removes a degree of compensation for the differences in the dynamic range of listening levels between radio stations.



Note

- If no button is pressed within seven seconds, the menu exits.

6 Product information



Note

- Product information is subject to change without prior notice.

Specifications

Tuner (FM)

Tuning Range	87.5 - 108 MHz
Tuning grid	50 KHz
Sensitivity	
- Mono, 26dB S/N Ratio	<22 dBf
Search Selectivity	>28 dBf
Total Harmonic Distortion	<3%
Signal to Noise Ratio	>50 dB

General information

AC power	230 - 240V, 50Hz
Operation Power Consumption	8W
Standby Power Consumption	<3W
Dimensions	
- Main Unit (W x H x D)	165 x 150 x 50 mm
Weight	
- With Packing	0.773 kg
- Main Unit	0.694 kg

RDS program types

NOTYPE	No RDS programme type
NEWS	News services
AFFAIRS	Politics and current affairs
INFO	Special information programs
SPORT	Sports
EDUCATE	Education and advanced training
DRAMA	Radio plays and literature
CULTURE	Culture, religion and society
SCIENCE	Science
VARIED	Entertainment programs
POP M	Pop music
ROCK M	Rock music
MOR M	Light music
LIGHT M	Light classical music
CLASSICS	Classical music
OTHER M	Special music programs
WEATHER	Weather
FINANCE	Finance
CHILDREN	Children's programs
SOCIAL	Social Affairs
RELIGION	Religion

PHONE IN	Phone In
TRAVEL	Travel
LEISURE	Leisure
JAZZ	Jazz Music
COUNTRY	Country Music
NATION M	National Music
OLDIES	Oldies Music
FOLK M	Folk Music
DOCUMENT	Documentary
TES	Alarm Test
ALARM	Alarm

About DAB

About Digital Audio Broadcasting (DAB)

DAB digital radio is a new way of broadcasting radio via a network of terrestrial transmitters. It provides listeners with more choice and information delivered in crystal clear, crackle-free sound quality.

- The technology allows the receiver to lock on to the strongest signal it can find.
- With DAB digital stations there are no frequencies to remember, and sets are tuned by station name, so there's no returning on the move.

What is a multiplex?

Digital radio operation is made up of a single block of frequencies called a multiplex. Each multiplex works within a frequency spectrum, such as Band III for DAB broadcasts.

DAB BROADCASTERS AND DLS

Each DAB broadcaster (or multiplex operator) also provides text and audio data services. Some programmes are supported by Dynamic Label Segments (DLS). This is data which you can read as scrolling text on your DAB radio display. Some stations transmit the latest news, travel, and weather; what's on now and next, website addresses and phone numbers.

For more information on digital radio coverage and services, please visit: www.drdb.org.

7 Troubleshooting



Caution

- Never remove the casing of this clock radio.

To keep the warranty valid, never try to repair the system yourself.

If you encounter problems when using this clock radio, check the following points before requesting service. If the problem remains unsolved, go to the Philips web site (www.Philips.com/support). When you contact Philips, ensure that your clock radio is nearby and the model number and serial number are available (see 'Get started' on page 15).

No power

- Ensure that the AC power plug of the clock radio is connected properly.
- Ensure that there is power at the AC outlet.

No sound

- Adjust the volume.

No response from the clock radio

- Disconnect and reconnect the AC power plug, then turn on the system again.
- Use a ball pen to press the reset button on the rear of the clock radio to restore factory settings. This operation resets all settings except the clock.
- In clock (standby) mode, press and hold **SCAN** and **PRESET▲** for two seconds, and then press **VOLUME▼** to reset the clock radio. This operation resets all settings.

Poor radio reception

- Increase the distance between the clock radio and your TV or VCR.
- Fully extend the antenna.
- Connect an outdoor antenna instead.

Timer does not work

- Set the clock correctly.
- Switch on the timer.

Clock/timer setting erased

- Power has been interrupted or the power plug has been disconnected.
- Reset the clock/timer.



100% recycled paper
100% papier recyclé

© 2008 Koninklijke Philips Electronics N.V.
All rights reserved.

Printed in China