

HONDA

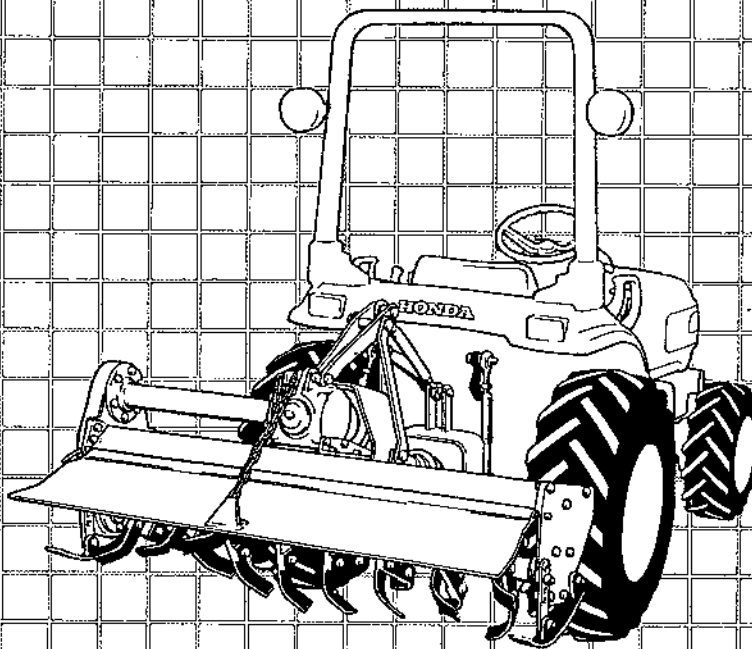
Power

Equipment

OPERATOR'S MANUAL

ROTARY TILLER TL6552

for
H6522 COMPACT TRACTOR



HONDA DEALER: PLEASE GIVE THIS PUBLICATION TO YOUR CUSTOMER

CONTENTS

	Page
INTRODUCTION AND DESCRIPTION	2
SAFETY	
• General Tiller Safety	3
• Maintenance Safety	4
• Safety Labels	4
TRACTOR PREPARATION	3
• Hitch	3
• Front Counterweight.....	3
• Tire Pressure	3
DEALER ASSEMBLY INSTRUCTIONS	6
DEALER CHECK LISTS	8
ATTACHING TILLER TO THE TRACTOR	8
TILLER ADJUSTMENTS	
• Depth Adjustment	9
• Rear Shield Adjustment	10
THREE POINT HITCH ADJUSTMENTS	
• Height Adjustment	10
• Upper Link Adjustment	10
• Lift Rod Adjustment	10
TILLING	11
TRANSPORTING	11
DETACHING TILLER FROM TRACTOR	11
STORAGE	11
MAINTENANCE	12
LUBRICATION	12
TROUBLESHOOTING	13
Slip Clutch Operational Check	13
Slip Clutch Adjustment	14
SPECIFICATIONS	14
TORQUE SPECIFICATIONS	15
PARTS LISTING	16
WARRANTY SERVICE	21

Thank you for purchasing a Honda Rotary Tiller.

This manual describes operation and maintenance of the Honda TL6552 Rotary Tiller.


All information in this manual is based on the latest product information available at the time of printing.


American Honda Motor Co., reserves the right to make changes at any time without notice and without incurring any obligation.


No part of this publication can be reproduced without written permission.

This manual is considered a permanent part of the Rotary Tiller and it must stay with the Tiller if resold.

READ THE OPERATOR'S MANUAL CAREFULLY. Pay special attention to these symbols and instructions that follow:

 DANGER - Indicates serious injury or death WILL result if instructions are not followed.


 WARNING - Indicates a strong possibility that serious injury or death could result if instructions are not followed.

 CAUTION - Indicates a possibility that minor injury can result if instructions are not followed.

NOTICE - Indicates that equipment or property damage can result if instructions are not followed

Note: Gives helpful information.

Honda rotary tillers are designed to give safe and dependable service if operated according to instructions. Operating this Tiller requires special effort on your part to ensure your safety and the safety of others.

 WARNING Using this product for a purpose not intended may cause injury or property damage. Read and understand this Operator's Manual before operating this Rotary Tiller.

If a problem should arise, or if you have any questions about your tiller, consult an authorized Honda Compact Tractor Dealer.

AMERICAN HONDA MOTOR CO., INC 1991, ALL RIGHTS RESERVED.

INTRODUCTION AND DESCRIPTION

INTRODUCTION

This manual is provided to give you the necessary operating and maintenance instructions for keeping your rotary tiller in top operating condition. Please read this manual thoroughly to understand the purpose and use of each control. For safe operation, observe all safety labels on the machine and all safety precautions noted throughout this manual. If you need assistance or additional information, contact your authorized Honda Compact Tractor Dealer.

NOTE: All reference to right, left, front, rear, top, or bottom is from the operator's point of view while facing the direction of forward travel when the tiller is properly attached to the tractor.

DESCRIPTION

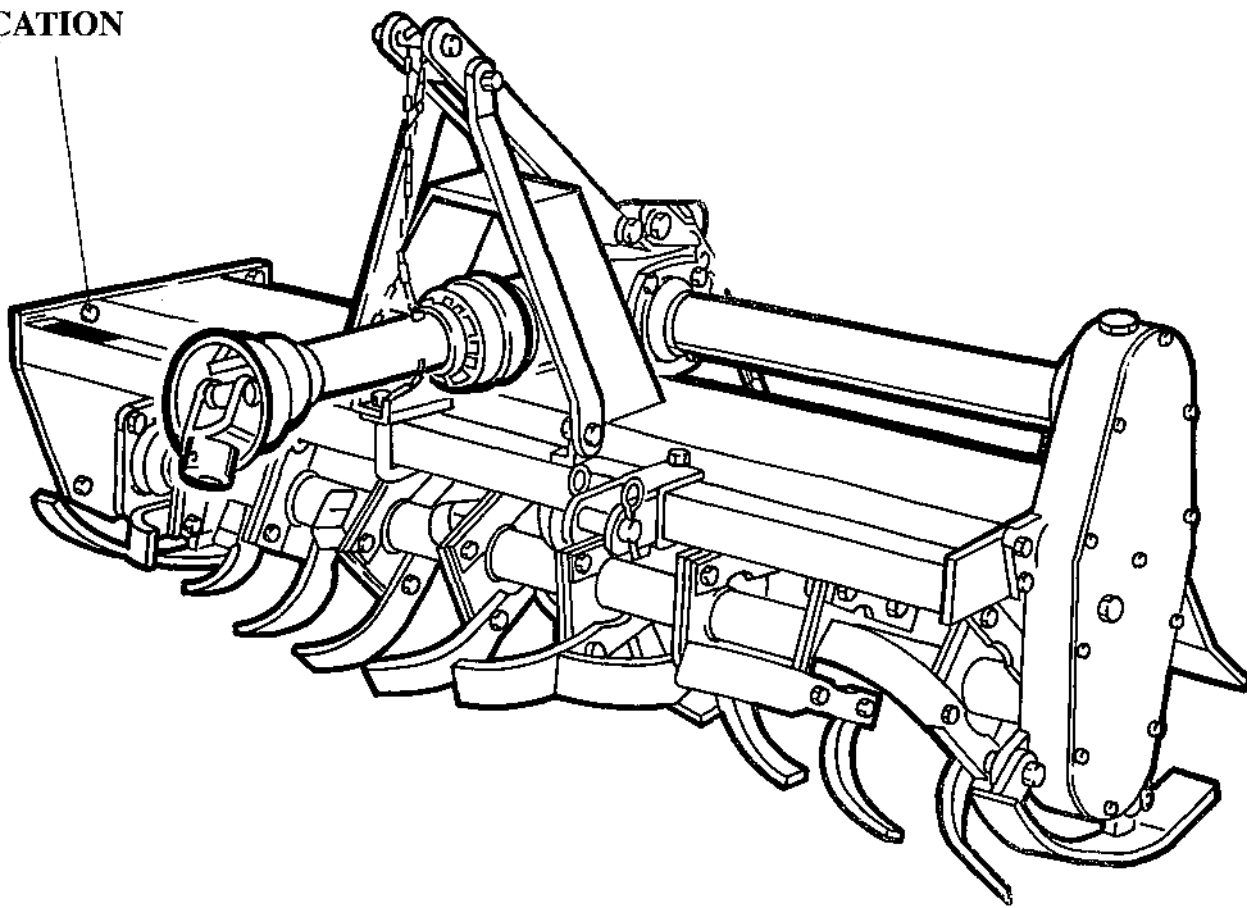
The TL6552 is a light duty rotary tiller that is designed for use on Honda's H6522 Compact Tractors. The tiller is designed to be powered by the (type 1,540 R.P.M.) rear Power Take Off (PTO), and is raised and lowered by the optional (category 1) three point hitch. The tractor must also be equipped with the optional front weight bracket and weights as detailed in the Tractor Owner's Manual.

SERIAL NUMBER LOCATION

The tiller serial number location is indicated in the diagram below (Fig. 1).

Record the serial number for future reference when requesting repair parts or dealer assistance.

SERIAL NUMBER LOCATION



GENERAL TILLER SAFETY

Operation of the Rotary Tiller requires special efforts on your part to ensure your safety and the safety of others. Know these requirements before you operate the Rotary Tiller.

- To avoid injury or tiller damage, do not allow anyone to stand on or ride on the tiller.
- To avoid injury from rotating parts or thrown objects, do not stand or allow others to stand near the tiller while it is operating.
- Clear the area of all debris before beginning tiller operation.
- Operating the tiller in the fully raised position may exceed the maximum angle of the universal joints causing damage to the driveline.
- To avoid tiller damage and possible loss of control, do not add weight to the top of the tiller.
- To avoid injury to yourself and others, do not leave the tiller in the raised position when unattended.
- **KEEP CHILDREN AND PETS AT A SAFE DISTANCE WHEN OPERATING THE ROTARY TILLER.**
- Never wear loose clothing when operating the rotary tiller. Loose clothing may become entangled in rotating parts or become hooked on controls leading to injury or damage to property.
- Never leave the tractor operator's seat when the tractor is in motion; or while the Power Take Off (PTO) is engaged.
- Before getting off the tractor always;
 - shut the engine off
 - remove the ignition key
 - wait for the PTO to stop turning
 - then lower the tiller to the ground.
- To avoid personal injury or equipment damage, never attempt to clean or adjust the tiller while the engine is running.

TRACTOR PREPARATION

HITCH

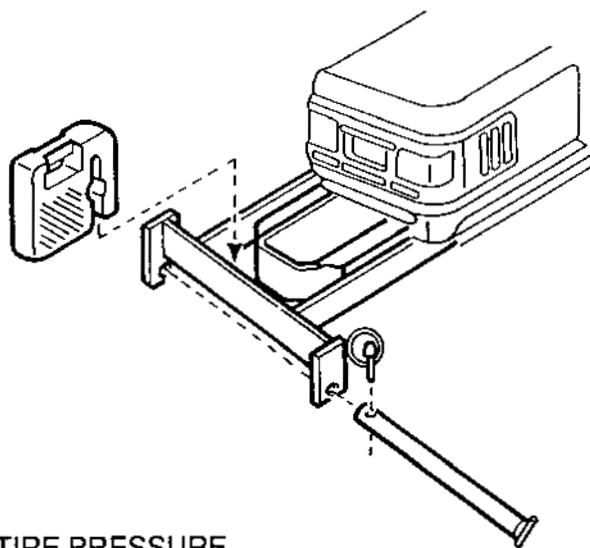
Operation of the TL6552 Rotary Tiller requires the optional three point hitch be installed on the tractor.

FRONT COUNTER WEIGHT

Proper operation of the Rotary Tiller requires the installation of an optional front counterweight bracket and one (1) 35 pound (17 Kg) weight.

▲ WARNING *The addition of the front counterweight may not always maintain satisfactory stability. Reduce tractor speed and exercise caution under these conditions to prevent severe personal injury or property damage.*

NOTICE *Do not exceed weight limitations stated on the tractor owner's manual or equipment damage may result.*



TIRE PRESSURE

Proper tractor tire pressure with tiller and front weight kit installed:

	Front	Rear
Turf tires	22 psi	20 psi
Agricultural tires	30 psi	20 psi
High flotation tires	18 psi	28 psi

MAINTENANCE SAFETY

- Before performing maintenance/inspection, read the instructions thoroughly.
- Before cleaning, inspecting or servicing the tiller or tractor, be sure to;
 - move the Power Take Off (PTO) lever to the “OFF” position.
 - lower tiller to the ground
 - stop the engine and remove the key.
- If you strike an object while driving or tilling, stop the engine and inspect the tractor and the tiller. Repair any damage before you resume operation.
- Operating the tiller or the tractor with damaged, worn or broken parts may result in severe personal injury.
- All nuts, bolts and fasteners must be tight.

SAFETY LABELS

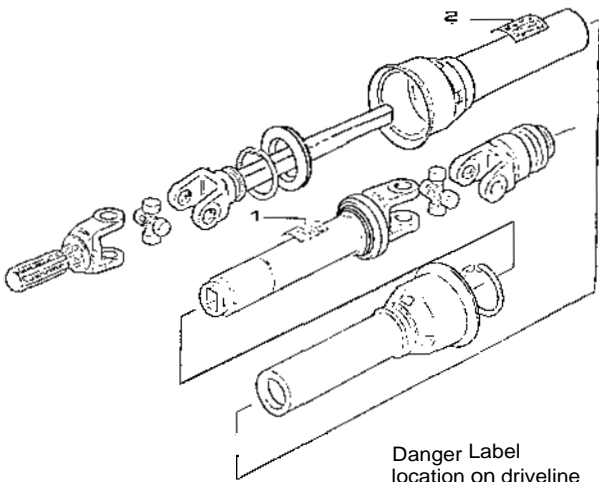
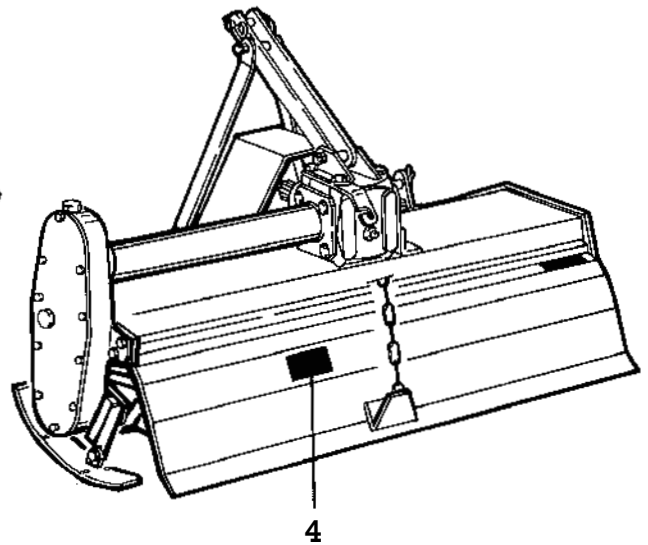
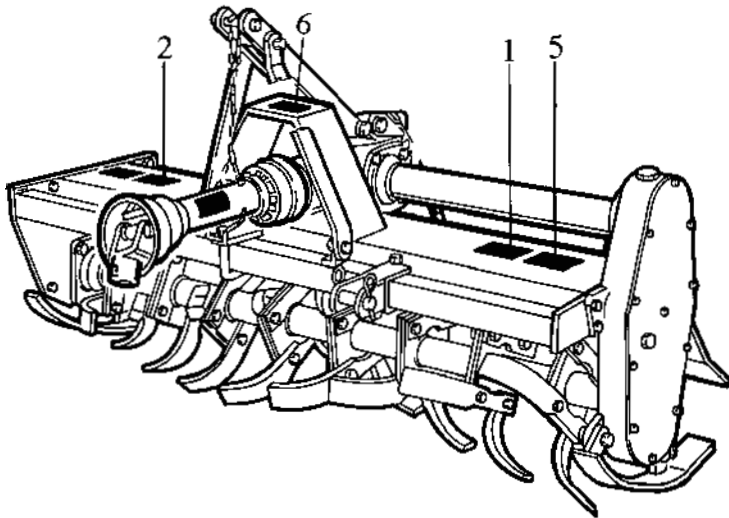


Fig. 1



Fig. 2



⚠ WARNING

IMPROPER OPERATION CAN LEAD TO SERIOUS INJURY OR DEATH.
Read and understand all instructions in operator's manual before operation.

THROWN OBJECTS CAN CAUSE SERIOUS INJURY
Keep all people and pets away.

MOVING PARTS CAN CAUSE SERIOUS INJURY

- Be sure all guards and shields are in place before operation.
- Stop engine, remove key, and be sure all parts have stopped moving before adjustment or servicing.

Fig. 1

⚠ DANGER

KEEP AWAY FROM ROTATING TINES
Rotating tines will cause injury

Fig. 4

NOTICE

Universal joints can be damaged if lift angle is excessive and PTO is engaged.
Adjust tractor lift linkage or hydraulic lever lifting stops.

Fig. 2

NOTICE

Fill Gearbox with oil before each use to prevent gearbox damage.

Fig. 5

⚠ WARNING

Using a high-speed PTO to drive this implement can cause severe damage and could seriously injure anyone nearby.

MAXIMUM PTO SPEED: 540 RPM

Fig. 6

DEALER ASSEMBLY INSTRUCTIONS

- 1 Install the driveline safety clutch onto the tiller input shaft and tighten the retaining bolt. Fig. 5.
- 2 Attach three point hitch mast struts and driveline shield to tiller frame using M12x30 mm. bolts, lock washers and nuts. Fig.2.
- 3 Attach mast braces to mast struts using a M12x90mm bolt, spacer, nut and jam nut. Fig. 3.
- 4 Secure mast brackets onto clamps on gearbox housing using a M12x80mm spacer, nut and jam nut.
- 5 Install hitch pin brackets onto frame using two M12x90mm bolts, with lock washers. Fig. 6.
Brackets must be installed with the weld nut on top side maintaining a distance of 26" (660 mm) centered between brackets. Fig. 7.
- 6 Check gearbox oil level per instructions in LUBRICATION section.
- 7 Make certain all safety shields and safety labels are in place and in good condition.
- 8 Check the tiller tine bolts to ensure they are tight.
Torque to 73 ft. lbs. (10.1 Km) Fig. 4 .
- 9 Apply a coating of grease to the telescoping parts of the driveline Fig. 9.
- 10 Using a grease gun and a multi-purpose grease, ensure the tiller tine shaft and the driveline are lubricated Fig. 8
- 11 Position the hitch pin brackets as shown and tighten the bolts securely. Fig. 7.
- 12 Set preliminary adjustment of hitch top link to 22 inches (560 mm) as shown. Fig. 10.

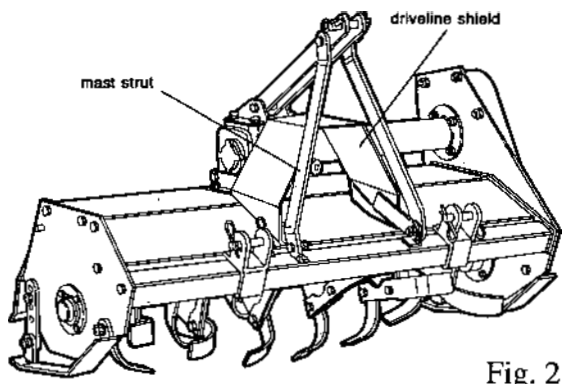


Fig. 2

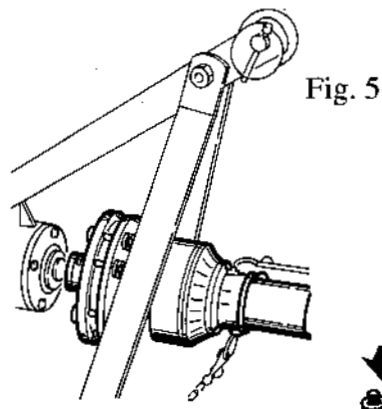


Fig. 5

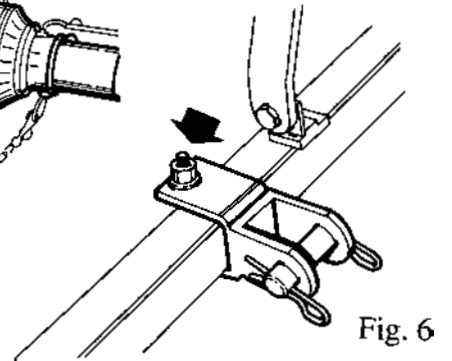


Fig. 6

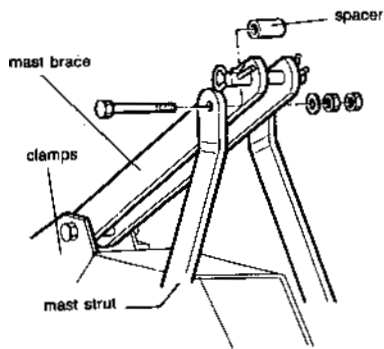


Fig. 3

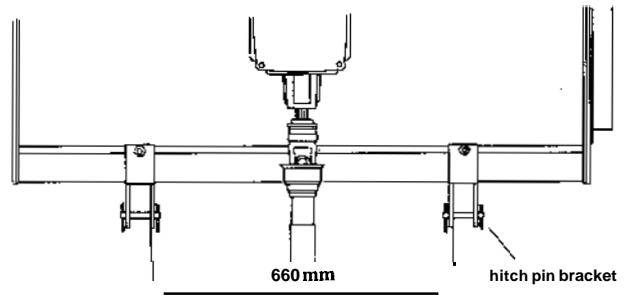


Fig. 7

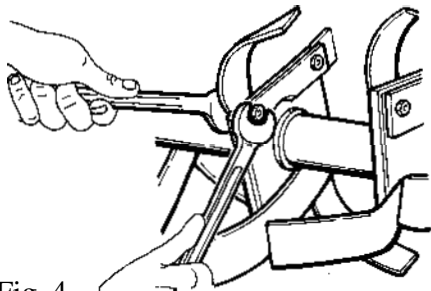


Fig. 4

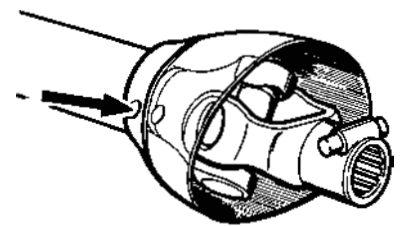


Fig. 8

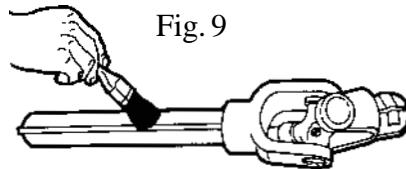


Fig. 9

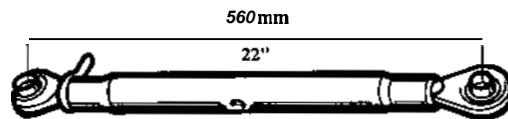


Fig. 10

DEALER CHECK LISTS

PRE-DELIVERY CHECK LIST

Inspect the Rotary Tiller thoroughly after assembly to be certain it is set up properly before delivering it to the customer. The following checklist is a reminder of points to inspect. Check off each item as it is found to be satisfactory or after proper adjustment is made.

- Check all bolts to be sure they are tight.
- Check that all cotter pins are properly installed.
- Check that all lubrication points with grease fittings have been lubricated.
- Check that tines have been properly installed.
- Check gear box oil level.
- Verify safety labels are applied and are in good condition.

DELIVERY CHECK LIST

- Show customer how to make adjustments.
- Explain importance of lubrication to customer and point out lubrication points on tiller.
- Give this Operator's Manual to the customer and ask customer to become familiar with all sections of it.

ATTACHING THE TILLER TO THE TRACTOR

WARNING

Ensure the tractor has been prepared as instructed under TRACTOR PREPARATION section of this manual to prevent serious personal injury or equipment damage.

- 1 Attach the lower lift arms of the three point hitch and secure with clips as shown in Fig. 11.
- 2 Install the hitch top link to the tractor mounting bracket and secure with clip as shown in Fig. 13.
- 3 Install the other end of the hitch top link to the tiller and secure with clip as shown in Fig. 15.
- 4 Adjust the right hand hitch lift rod to make the tiller parallel with the ground (left to right) when the tiller is raised slightly off the ground. Shortening the lift rod will raise the right side of the tiller, lengthening the lift rod will lower the right side of the tiller. Fig. 12
- 5 Adjust the hitch top link to make tiller parallel with the ground (front to rear). Increasing the length of the top link will cause the rear of the tiller to drop, shortening the link will cause the rear of the tiller to raise. Tighten the locking nut on the top link securely. Fig. 15
- 6 Position the tiller to sit approximately in the center of the rear wheels and adjust the stabilizer check links to prevent excessive left to right sway. Fig. 14
- 7 Attach the tiller driveline onto the tractor PTO shaft, making sure it has locked into the groove of the shaft.
 - Move the driveline back and forth to ensure it is securely connected.

Do not operate the tiller without the driveline shields in place and in good condition. Operating the tiller without shields in place could result in severe personal injury or death.

Before operating, raise and lower the tiller slowly through its full range with the three point hitch to ensure the driveline does not bottom out or come apart.

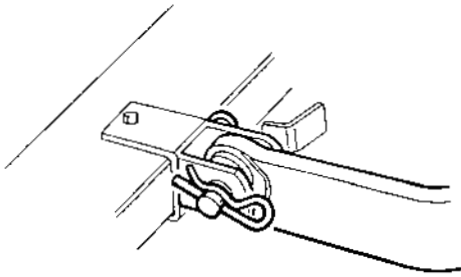


Fig. 11

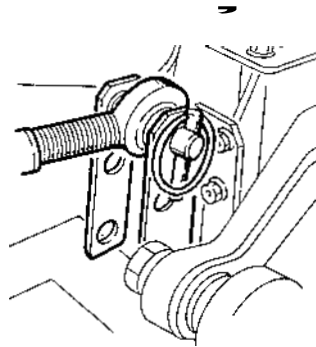


Fig. 13

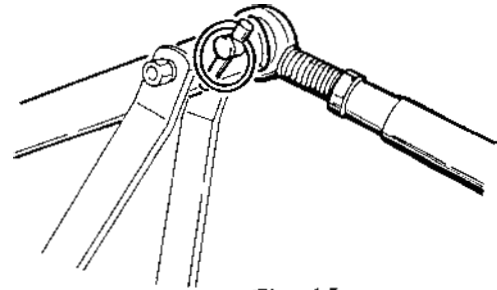


Fig. 15

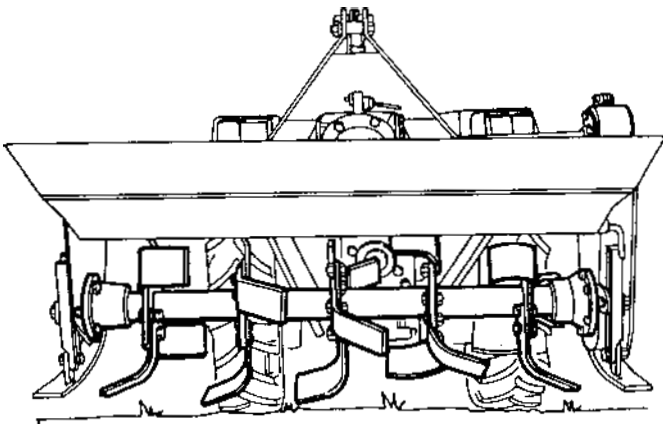


Fig. 12

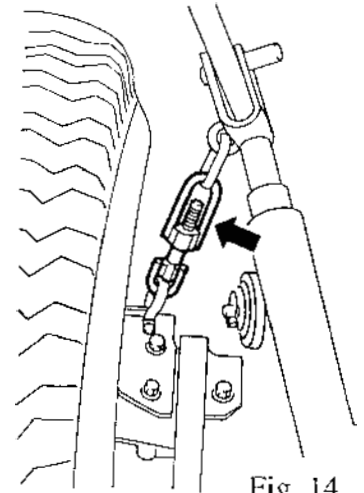


Fig. 14

TILLER ADJUSTMENTS

DEPTH ADJUSTMENT

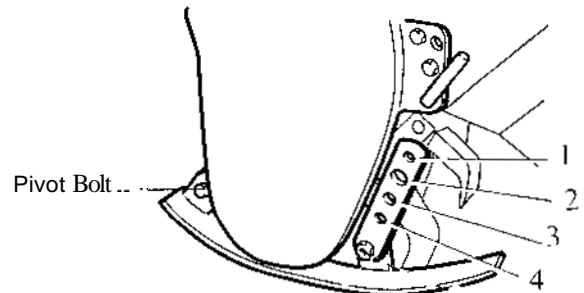
Position the tiller skids (one on each side) to the desired tilling depth. To adjust, raise the tiller off the ground and block it securely in position. Loosen the skid pivot bolt. Remove the adjusting bolt. Pivot the skid to the desired depth position hole, reinstall the adjusting bolt and tighten securely. Retighten the pivot bolt. Repeat this procedure for the opposite side.

Operation without the skids installed can damage the tiller.

Approximate tilling depth (Fig. 16)

Hole position	4	5.00 inches	(127mm)
	3	2.50 inches	(64mm)
	2	1.25 inches	(32mm)
	1	0.25 inches	(6mm)

Note: To achieve the desired tilling depth, it is common to require several passes with the tiller, depending on soil condition.



REAR SHIELD ADJUSTMENT

The rear shield can be adjusted to control the soil tilth or consistency. The finest tilth is achieved with the shield in the lowest position. That position is recommended for mulching, mixing, and burying weeds, fertilizer, etc. The higher the shield is positioned, the more coarse the finished results. The higher positions are recommended for rocky soil. To adjust, hook the chain onto the gear box in the desired position. Fig. 17

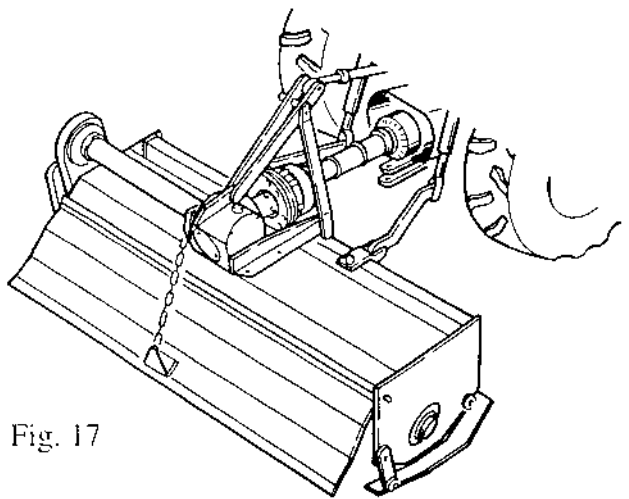


Fig. 17

THREE POINT HITCH ADJUSTMENT HEIGHT ADJUSTMENT

Set the tractor hitch lift control no higher than the #8 position when the tractor PTO is engaged. Fig. 18.

Note: Raising the tiller too high with the PTO engaged can damage the tiller driveline.

TOP LINK ADJUSTMENT

The top hitch link is adjusted to position the tiller parallel (front to rear) with the ground. Making the top link longer will cause the rear of the tiller to go down, making the upper link shorter will cause the rear of the tiller to go up. To adjust the upper link, first loosen the locking nut, make the adjustment by turning the link body, then retighten the locking nut. Fig. 15

LIFT ROD ADJUSTMENT

The right lift rod of the hitch is adjustable to position the tiller parallel (left to right) with the ground. Making the right lift rod shorter will raise the right side of the tiller, making the lift rod longer will lower the right side of the tiller. Fig. 12

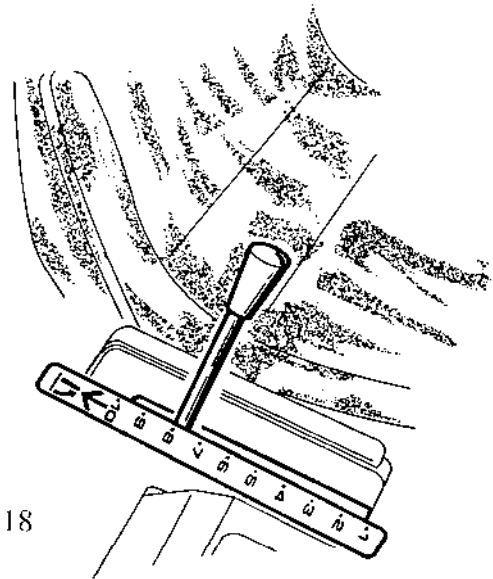


Fig 18

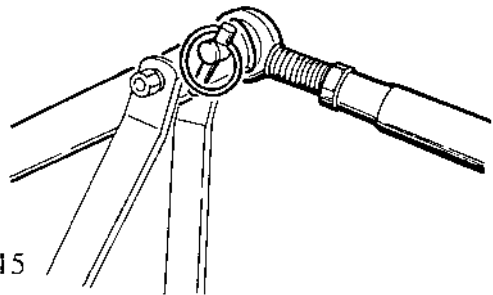


Fig. 15

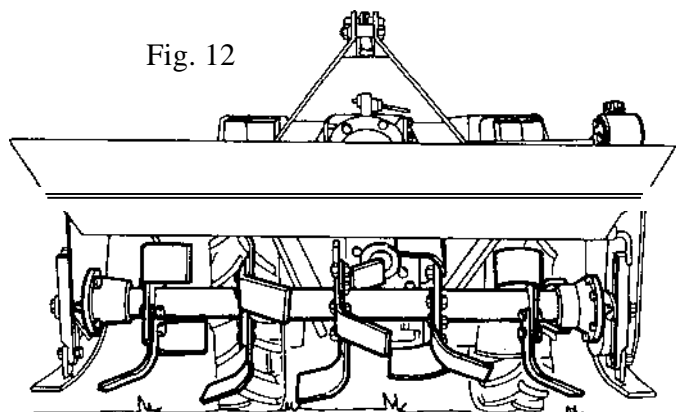


Fig. 12

TILLING

NOTE: *If your tractor is equipped with the four wheel drive option, it is recommended that you operate in the four wheel drive mode while tilling.*

Position the tractor where you wish to begin tilling. Position the tiller slightly off the ground. Reduce engine RPM to about 1/4 throttle, engage the rear PTO, then increase engine RPM to full throttle.

Stay clear of rotating driveline.
Do not operate without the driveline and shields in place and in good condition.

Keep hands and feet from under the machine at all times. Make certain everyone is clear before operating.

Drive forward slowly as you lower the tiller to the ground.

NOTE: *The tractor ground speed controls the size bites the tiller tines take in the soil. A slow ground speed results in smaller bites which require less power.*

Do not attempt to till too quickly, the quality of the tilling job will be less and you could damage the tiller.

Average soil with reasonable moisture will allow travel speeds up to 2 miles per hour. Heavy soils will require lower travel speed, perhaps as low as 1 mile per hour. Shallow weed cultivation will allow travel speeds up to 3 miles per hour.

When you must turn, raise the tiller no higher than the number 8 position on the hitch control dis-engage the PTO, then raise the tiller as high as necessary to clear obstructions and complete the turn.

NOTICE

Do not attempt to turn corners with the tiller in the ground as this could result in damage to the tiller and/or tractor lift linkage.

Do not attempt to till or move in the reverse direction with the tiller on the ground or damage will result to the tiller and/or the tractor.

TRANSPORTING

Engaging the PTO with the tiller in the transport (raised) position will damage the tiller driveline. When the tiller is in the transport position the maximum angles of the driveline are exceeded.

DETACHING TILLER FROM TRACTOR

- 1 Lower the tiller to the ground. Turn off the engine, remove the key and apply the tractor brakes.
- 2 Disconnect the hitch upper link from the tiller end.
- 3 Disconnect the two lower hitch lift arms from the tiller.
- 4 Disconnect the tiller driveline from the tractor PTO by pushing on the PTO locking pin and pulling back on the driveline.

STORAGE

When the tilling season is over, the tiller should be thoroughly checked so a minimum amount of work will be required to put it back into operation for the next season. The following recommendations are offered to aid in properly storing the tiller.

- 1 Clean the tiller thoroughly. Remove all dirt and debris from under the housing.
- 2 Lubricate the tiller and check the gearboxes for proper oil level as recommended in the LUBRICATION section of this manual.
- 3 Replace all damaged parts. Parts are available from your Honda CompactTractor Dealer.
- 4 Clean any rust from the tiller and repaint as required to prevent rust and maintain the appearance of the tiller.

LUBRICATION

BEFORE EACH USE

- 5 Replace all missing, illegible, or damaged safety and warning labels. See list of labels in this manual.
- 6 Store tiller in a clean dry area.

MAINTENANCE

BEFORE EACH USE

Check tractor tire pressure (refer to tractor preparation section of this manual).
Lubricate tiller driveline as described in lubrication section of this manual.

Check tiller tines and rotor to be sure that no foreign objects such as wire or steel strapping bands are wrapped around them.

TINES

Tiller tines should be replaced when they have approximately 1/4" left on tip of blade (Fig. 21). To replace tines, remove bolts securing tine. Install new tine. Tighten tine bolts to 73 ft. lbs. (99 Nm) Use only genuine Honda replacement parts.



Fig. 21

Make certain driveline shields are in place and in good condition.

At beginning of season; check that slip clutch is free and operates properly. Refer to slip clutch operation check on page 13.

During operation, listen for abnormal sounds which might indicate loose parts, damaged bearings, or other damage. Correct any problems immediately.

WEEKLY

Grease the tiller bearing. Check tiller input gear box and final drive oil level as indicated in lubrication section of this manual.

- 1 Driveline Universal Joints - Apply grease to each fitting using grease gun. Fittings are accessible through hole in shield. (Fig. 8).
- 2 Driveline Guard - Apply 2-3 shots of grease to plastic fitting using grease gun (Fig. 23).
- 3 Driveline - Disconnect driveline and separate sections. Apply grease to male tube. Reassemble driveline (Fig. 9).

EVERY 40 HOURS

- 4 Rotor Shaft Bearing - Apply 2-3 shots of grease to grease fitting at right end of rotor shaft using hand pump grease gun (Fig. 22)
- 5 Input Gearbox - With tiller level, remove oil level check plug on rear of gearbox housing. Correct oil level is at bottom of check plug. Add oil if necessary. Gearbox capacity 2 pts. (Fig.19).
- 6 Final Drive Gearbox - With tiller level, remove oil level check plug on side of gearbox housing. Correct oil level is at bottom of check plug. Add oil if necessary. Gearbox housing capacity is 2 pts (Fig. 20).

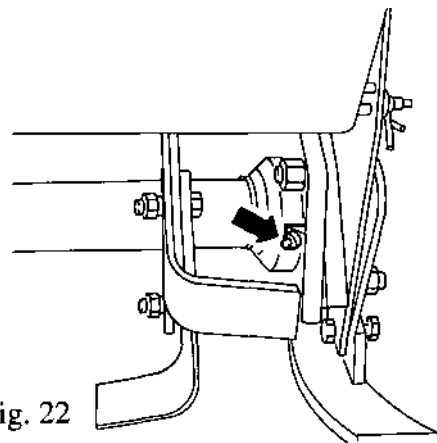


Fig. 22

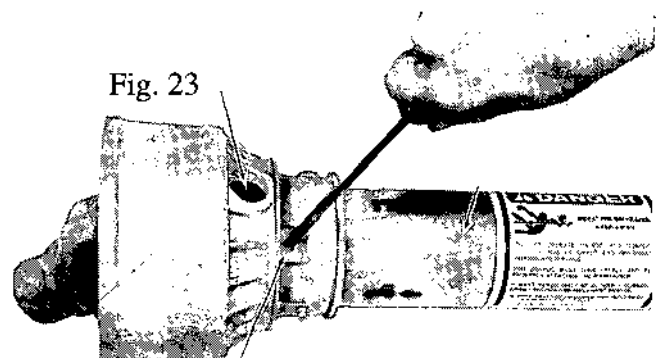


Fig. 23

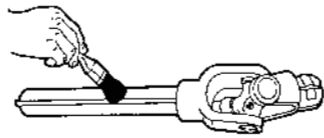


Fig. 9

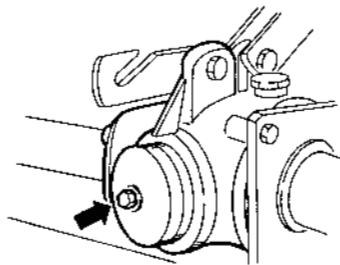


Fig. 19

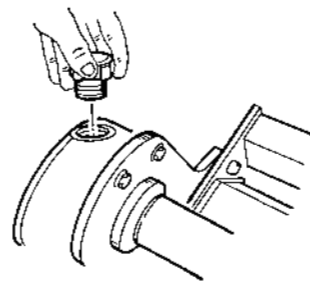


Fig. 20

Gear Housing Oil	SAE 90 or 80W - 90 wt. oil
Gearbox Oil	SAE 90 or 80W - 90 wt. oil
Grease	lithium base grease

SYMPTOMS	PROBABLE CAUSE	REMEDY
Uneven Tiller	Tiller not level right to left	Adjust skids for same depth. Adjust hitch lift arm.
Noisy	Loose components Low oil in gearbox	Check all bolts for tightness. Refer to Torque Specifications Check for proper oil level. Refer to Lubrication section.
Knocking or Chattering	Tiller is tilted towards the rear	Adjust 3 - point hitch top link to level Tiller.
Bogging	Vines wrapped around rotor	Remove vines.
Clutch Slippage	Vines wrapped around rotor Needs adjusting	Remove vines. Refer to Clutch Adjustment Section.

TROUBLESHOOTING

SLIP CLUTCH OPERATIONAL CHECK

After tiller has been stored for an extended period of time, the slip clutch should be checked to be sure it functions properly. Loosen the eight nuts retaining the slip clutch springs exactly one full turn. With tiller firmly on the ground and tractor at idle speed, engage tractor PTO drive for 1 - 2 seconds. Clutch should slip without turning blades. If clutch does not slip, contact your Honda Compact Tractor Dealer. Retighten nuts to within 1/64" of original position. Initial spring length is 1 1/16" (27mm).

NOTICE *Failure to tighten spring nuts to original position may cause damage to tiller and/or tractor due to improper slip clutch torque setting.*

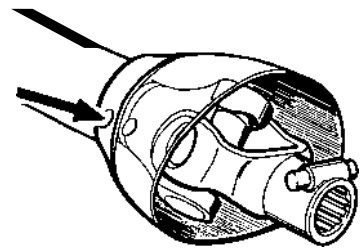
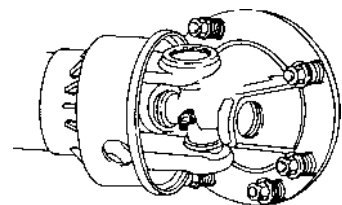


Fig. 8



SLIP CLUTCH ADJUSTMENT

The slip clutch is factory preset to the correct torque for protecting implement and tractor, and should seldom require adjusting. Should adjustment be needed, first check to be sure all spring lengths are within 1/16" (1.6 mm). If necessary loosen nuts on any springs that are unequal. Adjust all eight spring retaining nuts 2/3 of a turn (4 flats on nut) and check clutch slippage. If farther adjustment is necessary, adjust in 1/3 turn increments or consult your HONDA Compact Tractor Dealer. Adjust only to provide sufficient torque to prevent slippage under normal conditions. When rocks, roots, etc., are present, occasional slippage is normal for drivetrain protection.

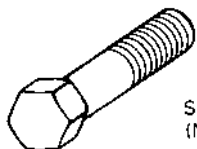
SPECIFICATIONS

Approximate Working Width	52"
Inside Housing Width	51"
Input RPM	540
Required P.T.O. HP Range	11- 40
Type Hitch	3-point Cat. I
Rotor Shaft Speed	220 RPM
Gearbox ratios	Input - 1.461: 1 Lateral - 1.687 : 1
Deck Material	1/8" steel
Tilling Depth	0" - 5"
No. of Blades	32
Implement Weight	341 lbs.
Shipping Weight	390 lbs.

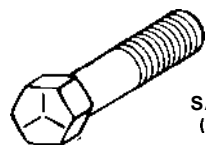
TORQUE SPECIFICATIONS

Proper torque for American fasteners used on HONDA equipment.
Recommended Torque in Foot Pounds (Newton Meters)

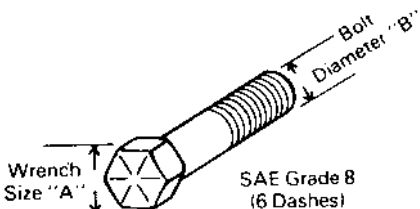
AMERICAN Bolt Head Markings



SAE Grade 2
(No Dashes)



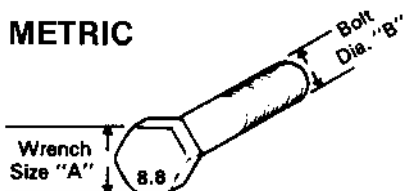
SAE Grade 5
(3 Dashes)



SAE Grade 8
(6 Dashes)

WRENCH SIZE (IN.) "A"	BOLT DIAMETER (IN.) "B" AND	SAE GRADE 2	SAE GRADE 5	SAE GRADE 8
7/16	1/4 - 20 UNC	6 (7)	8 (11)	12 (16)
7/16	1/4 - 28 UNF	6 (8)	10 (13)	14 (18)
1/2	5/16 - 18 UNC	11 (15)	17 (23)	25 (33)
1/2	5/16 - 24 UNF	13 (17)	19 (26)	27 (37)
9/16	3/8 - 16 UNC	20 (27)	31 (42)	44 (60)
9/16	3/8 - 24 UNF	23 (31)	35 (47)	49 (66)
5/8	7/16 - 14 UNC	32 (43)	49 (66)	70 (95)
5/8	7/16 - 20 UNF	36 (49)	55 (75)	78 (106)
3/4	1/2 - 13 UNC	49 (66)	76 (103)	106 (144)
3/4	1/2 - 20 UNF	55 (75)	85 (115)	120 (163)
7/8	9/16 - 12 UNC	70 (95)	109 (148)	153 (207)
7/8	9/16 - 18 UNF	79 (107)	122 (165)	172 (233)
1	5/8 - 11 UNC	97 (131)	150 (203)	212 (287)
1	5/8 - 18 UNF	110 (149)	170 (230)	240 (325)
1 - 1/8	3/4 - 10 UNC	144 (195)	266 (360)	376 (509)
1 - 1/8	3/4 - 16 UNF	192 (260)	297 (402)	420 (569)
1 - 5/16	7/8 - 9 UNC	166 (225)	430 (583)	606 (821)
1 - 5/16	7/8 - 14 UNF	184 (249)	474 (642)	668 (905)
1 - 1/2	1 - 8 UNC	250 (339)	644 (873)	909 (1232)
1 - 1/2	1 - 12 UNF	274 (371)	705 (955)	995 (1348)
1 - 1/2	1 - 14 UNF	280 (379)	721 (977)	1019 (1381)
1 - 11/16	1 - 1/8 - 7 UNC	354 (480)	795 (1077)	1288 (1745)
1 - 11/16	1 - 1/8 - 12 UNF	397 (538)	890 (1206)	1444 (1957)
1 - 7/8	1 - 1/4 - 7 UNC	500 (678)	1120 (1518)	1817 (2462)
1 - 7/8	1 - 1/4 - 12 UNF	553 (749)	1241 (1682)	2013 (2728)
2 - 1/16	1 - 3/8 - 6 UNC	655 (887)	1470 (1992)	2382 (3228)
2 - 1/16	1 - 3/8 - 12 UNF	746 (1011)	1672 (2266)	2712 (3675)
2 - 1/4	1 - 1/2 - 6 UNC	870 (1179)	1950 (2642)	3161 (4283)
2 - 1/4	1 - 1/2 - 12 UNF	979 (1327)	2194 (2973)	3557 (4280)

METRIC



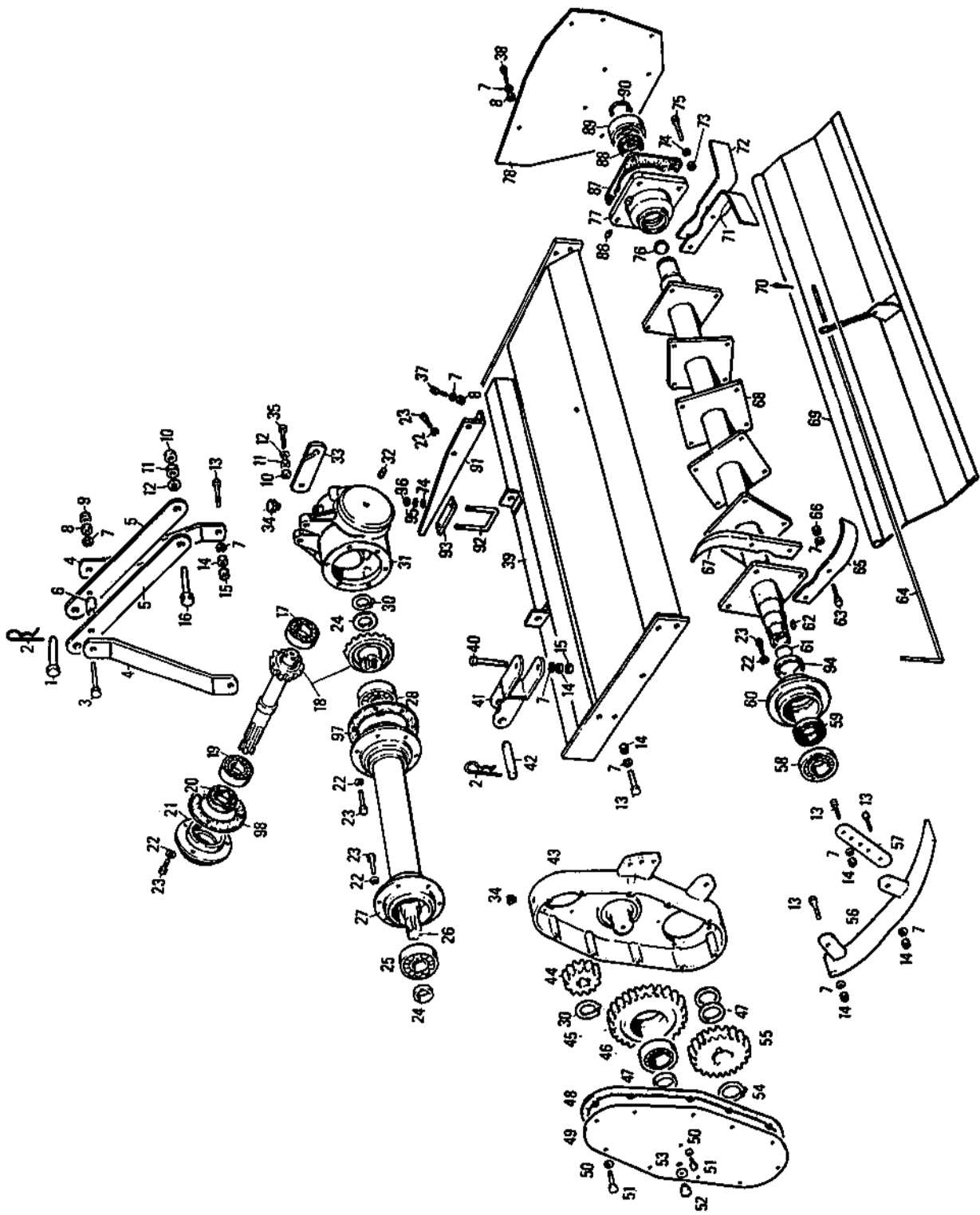
Numbers appearing on bolt heads indicate ASTM class.

Proper torque for metric fasteners used on TL 6552 Tiller.
Recommended Torque in Foot Pounds (Newton Meters).*

WRENCH SIZE (mm) "A"	BOLT DIA. (mm) "B"	ASTM CLASS 4.6	ASTM CLASS 8.8	ASTM CLASS 9.8	ASTM CLASS 10.9
8	5	1.8 (2.4)		5.1 (6.9)	6.5 (8.8)
10	6	3(4)		8.7 (12)	11.1 (15)
13	8	7.3 (10)		21.1 (29)	27 (37)
16	10	14.5 (20)		42 (57)	53 (72)
18	12	25 (34)	74 (100)	73 (99)	93 (126)
21	14	40 (54)	118 (160)	116 (157)	148 (201)
24	16	62 (84)	167 (226)	181 (245)	230 (312)
30	20	122 (165)	325 (440)		449 (608)
33	22		443 (600)		611 (828)
36	24	211 (286)	563 (763)		778 (1064)
41	27		821 (1112)		1138 (1542)
46	30	418 (566)	1119 (1516)		1547 (2096)

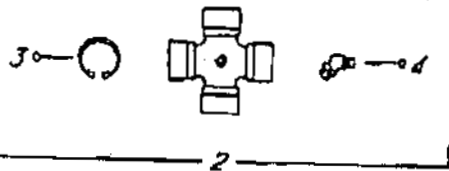
* Use 75% of the specified torque value for plated fasteners. Use 85% of the specified torque values for lubricated fasteners.

PARTS LISTING

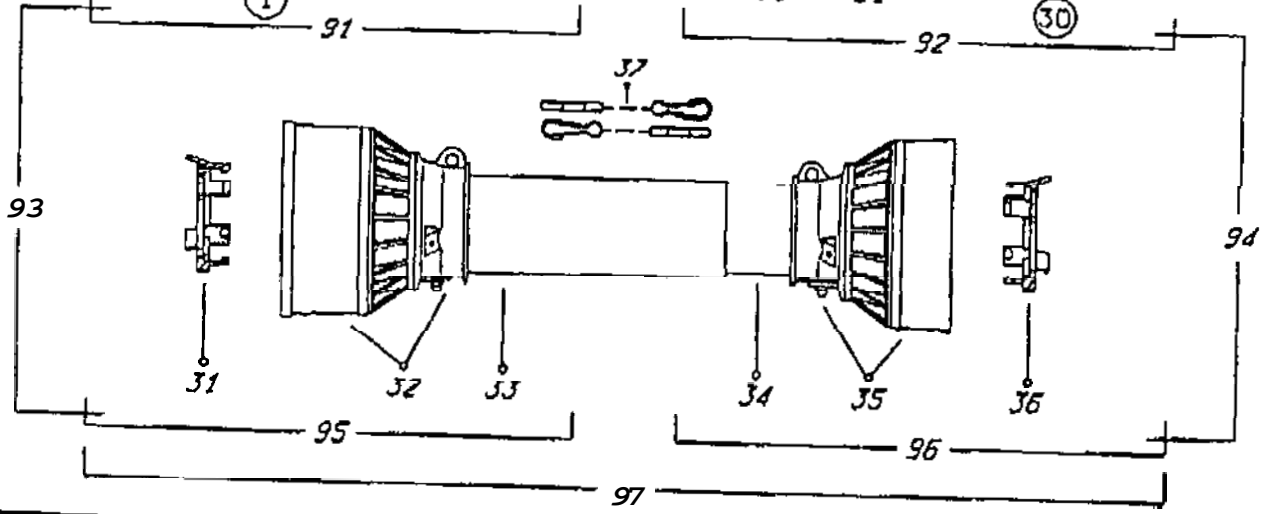
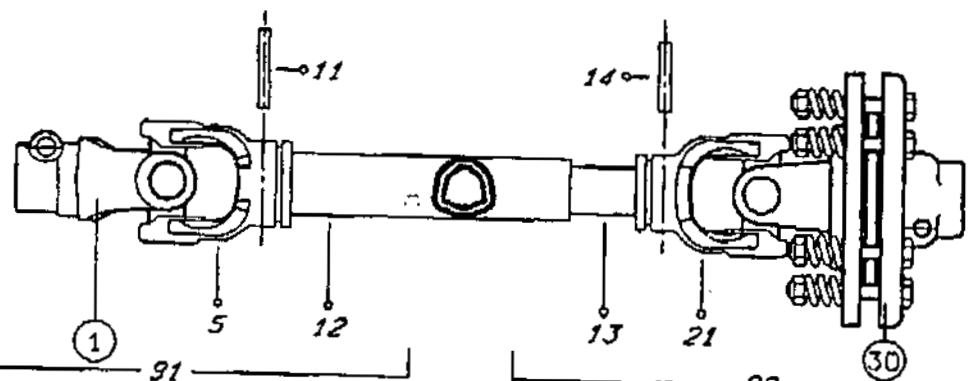


Ref. No.	Qty.	Description
1	1	Pin
2	5	Pin/Split
3	1	Screw
4	2	Rod
5	2	Rod
6	1	Spacer
7	52-56	Washer
8	6	Nut
9	1	Nut
10	2	Nut
11	2	Nut
12	2	Washer
13	12	Screw
14	14	Nut
15	4	Nut
16	1	Screw
17	1	Bearing
18	1	Gear/Bevel/Pinion
19	1	Bearing
20	1	Sea/Oil
21	1	Cap
22	23	Washer
23	19	Screw
24	3	Spacer
25	1	Bearing
26	1	Shaft/Rotor
27	1	support
28	1	Bearing
29		
30	1	Ring/Lock
31	1	Gearbox
32	1	Plug
33	1	Hook
34	2	Plug
35	1	Screw
37	1	Screw
38	5	Screw
39	1	Frame
40	2	Screw
41	2	Hitch, Lower
42	2	Pin
43	1	Gearbox
44	1	Gear
45	1	Gear
46	1	Bearing
47	4	Spacer
48	1	Gasket
49	1	Cover
50	11	Washer
52	1	Screw

Ref. No.	Qty.	Description
53	1	Washer
54	1	Ring/Lock
55	1	Gear
56	2	Skid
57	2	Adjuster/Height
58	1	Bearing
59	1	Sea/Oil
60	1	Housing
61	1	Disk
62	3	Key
63	32	Screw
64	1	Pin
65	16	Blade/Speed
66	32	Nut
67	16	Blade/Speed
70	1	Pin/Split
	16	Blade/Angular
72	16	Blade/Angular
73	4	Pin
	4	Washer
75	4	Screw
76	1	Disk
	1	support
78	1	Frame/Side
86	1	Fitting Grease
87	1	Gasket
88	1	Sea/Oil
89	1	Bearing
90	1	Ring/Lock
91	1	Brace
92	1	U-Bolt
93	1	Spacer
94	1	Ring
95	1	Washer
95	2	Washer
96	2	Nut
97	1	Gasket
98	1	Gasket



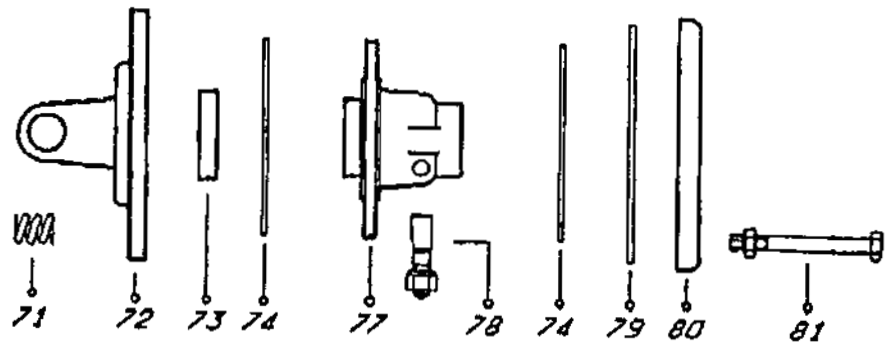
108



①



③①



Ref. No.	Qty.	Description
1	1	Yoke
2	2	Cross journal ass.
3	8	Circlip
4	2	Grease nipple
5	1	Outer tube yoke
11	1	Flexible pin
12	1	Cm. cardan tube
13	1	Cm. cardan tube
14	1	Flexible pin
21	1	Inner tube yoke
30	1	Torque lim. FF1-4
31	1	O. Bearing 3-4
32	1	O. Cone sets F3-4
33	1	Cm. Safety tube
34	1	Cm. Safety tube
35	1	I. Cone sets F3-4
36	1	I. Bearing 3-4
37	2	Complete chain
51	1	Complete push button
71	8	Spring
72	1	Flange yoke 4
73	1	Bush
74	2	Lining
77	1	Flange hub
78	1	Screw
79	1	Inner plate
80	1	Pressure plate
81	8	Screw
91	1	Half shaft
92	1	Half shaft
93	1	Half shaft
94	1	Half shaft
95	1	Half safety guard
96	1	Safety guard
97	1	Safety guard

WARRANTY SERVICE

OWNER SATISFACTION

Your satisfaction and goodwill are important to your dealer and to us. All Honda warranty details are explained in the Distributor's Limited Warranty. Normally, any problems concerning the product will be handled by your dealer's service department. If you have a warranty problem that has not been handled to your satisfaction, we suggest you take the following action:

- Discuss your problem with a member of dealership management. Often complaints can be quickly resolved at that level. If the problem has already been reviewed with the Service Manager, contact the owner of the dealership or the General Manager.
- If your problem still has not been resolved to your satisfaction, contact the Power Equipment Division of American Honda Motor Co., Inc.

American Honda Motor Co., Inc.
Power Equipment Customer Service Department
P.O. Box 100021
Duluth, Georgia 301 36-9421
Telephone: (404) 497-6400

We will need the following information in order to assist you:

- Your name, address, and telephone number
- Product model and serial number
- Date of Purchase
- Dealer name and address
- Nature of problem

After reviewing all the facts involved, you will be advised of what action can be taken. Please bear in mind that your problem will likely be resolved at the dealership, using the dealer's facilities, equipment, and personnel, so it is very important that your initial contact be with the dealer.

Your purchase of a Honda product is greatly appreciated by both your dealer and American Honda Motor Co., Inc. We want to assist you in every way possible to assure your satisfaction with your purchase.

Current customer service contact information:

United States, Puerto Rico, and U.S. Virgin Islands:

Honda Power Equipment dealership personnel are trained professionals. They should be able to answer any question you may have. If you encounter a problem that your dealer does not solve to your satisfaction, please discuss it with the dealership's management. The Service Manager or General Manager can help. Almost all problems are solved in this way.

If you are dissatisfied with the decision made by the dealership's management, contact the Honda Power Equipment Customer Relations Office. You can write:

American Honda Motor Co., Inc.
Power Equipment Division
Customer Relations Office
4900 Marconi Drive
Alpharetta, GA 30005-8847

Or telephone: (770) 497-6400 M-F, 8:30 am - 5:00 pm EST

When you write or call, please provide the following information:

- Model and serial numbers
- Name of the dealer who sold the Honda power equipment to you
- Name and address of the dealer who services your equipment
- Date of purchase
- Your name, address, and telephone number
- A detailed description of the problem

