

HONDA

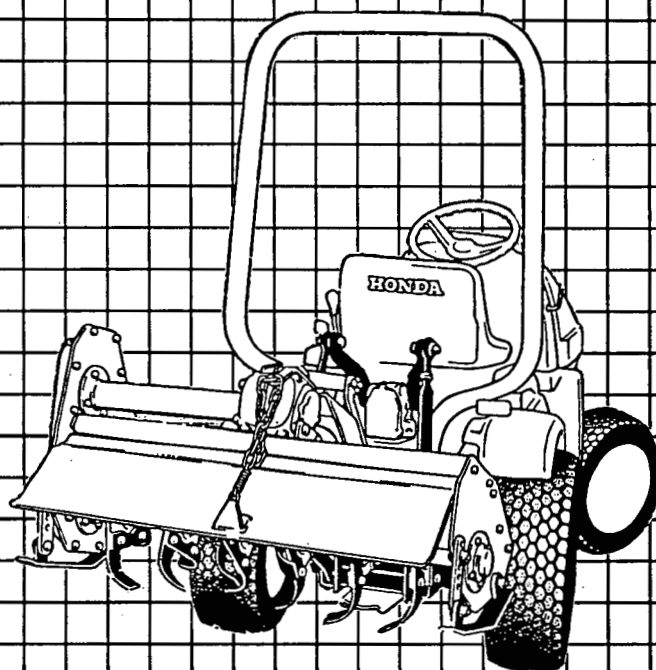
Power

Equipment

OPERATOR'S MANUAL

ROTARY TILLER TL5040

for
MULTI-PURPOSE TRACTOR
with
CATEGORY 0 3-POINT HITCH



HONDA DEALER: PLEASE GIVE THIS PUBLICATION TO YOUR CUSTOMER

POP - 50368 (9105)

© 1991 American Honda Motor Co., Inc. All Rights Reserved

H/C 3753894



CONTENTS

	Page
INTRODUCTION AND DESCRIPTION	2
SAFETY	
• General Safety	2
• General Tiller Safety	3
• Maintenance Safety	4
• Safety Labels	5
TRACTOR PREPARATION	3
• Hitch	3
• Front Counterweight.....	3
• Tire Pressure	3
DEALER ASSEMBLY INSTRUCTIONS	6
DEALER CHECK LISTS	7
ATTACHING TILLER TO THE TRACTOR	8
TILLER ADJUSTMENTS	
• Depth Adjustment	10
• Rear Shield Adjustment	10
THREE POINT HITCH ADJUSTMENTS	
• Height Adjustment	11
• Upper Link Adjustment	11
• Lift Rod Adjustment	11
TILLING	11
TRANSPORTING	12
DETACHING TILLER FROM TRACTOR.....	12
STORAGE	12
MAINTENANCE	12
LUBRICATION.....	13
TROUBLESHOOTING	14
SPECIFICATIONS.....	14
TORQUE SPECIFICATIONS.....	14
PARTS LISTING	15
WARRANTY SERVICE	21

Thank you for purchasing an H.T.A. Honda Rotary Tiller.

This **manual describes** operation and maintenance of the Honda TL5040 Rotary Tiller.

All information in this manual is based on the latest product information available at the time of printing.

American Honda Motor Co., Inc. reserves the right to make changes at any time without notice and without incurring any obligation.

No part of this publication may be reproduced without written permission.

This manual is considered a permanent part of the Rotary Tiller and it must stay with the Tiller if resold.

READ THIS OPERATORS MANUAL CAREFULLY. Pay special attention to these symbols **and** instructions that follow:

⚠ DANGER

• Indicates serious injury or death **WILL** result if instructions are not followed.

⚠ WARNING

• Indicates **a** strong possibility that serious injury or death could result if instructions are not followed.

⚠ CAUTION

• Indicates a possibility that minor injury can result if instructions are not followed.

NOTICE

• Indicates that equipment or property damage can result if instructions are not followed.

NOTE: Gives helpful information.

Honda Rotary Tillers are designed to give safe and dependable service if operated according **to** instructions. Operating this Tiller requires special effort on your part to ensure your safety and the safety of others.

⚠ WARNING

Using this product for a purpose not intended may cause injury or property damage. Read and understand this Operator's Manual before operating this Rotary Tiller.

If a problem should arise, or if you have any questions about your Tiller, consult an authorized Honda Multi-Purpose Tractor Dealer.

AMERICAN HONDA MOTOR CO., INC. 1991, ALL RIGHTS RESERVED

INTRODUCTION AND DESCRIPTION

INTRODUCTION

This manual is provided to give you the necessary operating and maintenance instructions for keeping your rotary tiller in top operating condition. Please read this manual thoroughly to understand the purpose and use of each control. For safe operation, observe all safety labels on the machine and all safety precautions noted throughout this manual. If you need assistance or additional information, contact your authorized Honda Multi-Purpose Tractor Dealer.

NOTE: All reference to right, left, front, rear, top, or bottom is from the operator's point of view while facing the direction of forward travel when the tiller is properly attached to the tractor.

SERIAL NUMBER LOCATION

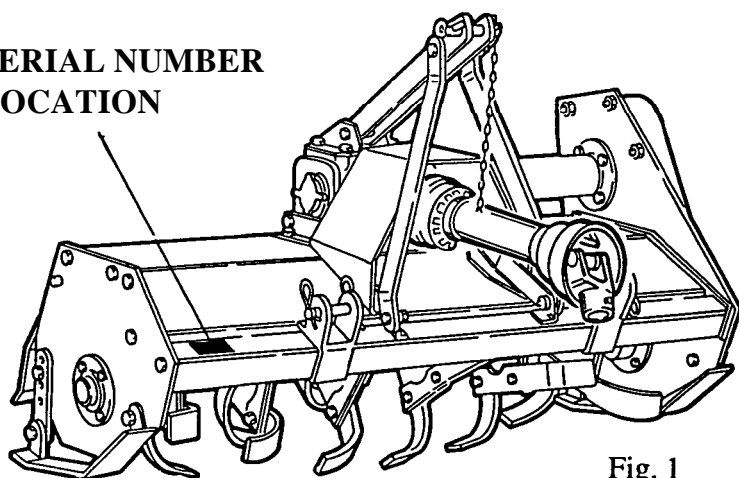


Fig. 1

SAFETY

GENERAL SAFETY

Operation of the Tractor and its attachments requires special efforts on your part to ensure your safety and the safety of others.

SAFE OPERATING RULES

To avoid severe personal injury or equipment damage, observe the following precautions:

- All parts, especially guards and shields, should be in good condition and securely fastened in place.
- Do not remove any guards, warning labels, shields or safety devices; they are installed for your safety.
- Always wear sturdy shoes and avoid wearing bulky or loose clothing while operating equipment.

DESCRIPTION

The TL5040 is a light duty rotary tiller that is designed for use on Honda's Multi-Purpose Tractors. The tiller is designed to be powered by the (type 0,2000 R.P.M.) rear Power Take Off (PTO), and is raised and lowered by the optional (category 0) three point hitch. The tractor must also be equipped with the optional front weight bracket and weights as detailed in the Tractor Owner's Manual.

SERIAL NUMBER LOCATION

The tiller serial number location is indicated in the diagram below (Fig. 1).

Record the number for future reference when requesting repair parts or dealer assistance.

- Never operate equipment when tired or while under the influence of drugs or alcohol.
- In case of emergency, know how to stop the equipment and thoroughly understand the operation of ALL controls.
- Never permit anyone to operate equipment without proper instructions.
- Children should not be permitted to operate the tractor or rotary tiller.
- **KEEP CHILDREN AND PETS AT A SAFE DISTANCE DURING OPERATION.**
- The tractor is an operator only vehicle, do not allow passengers to ride on the tractor or the rotary tiller.

TRACTOR PREPARATION

GENERAL TILLER SAFETY

Operation of the Rotary Tiller requires special efforts on your part to ensure your safety and the safety of others. Know these requirements before you operate the Rotary Tiller.

- To avoid injury or tiller damage, do not allow anyone to stand on or ride on the tiller.
- To avoid injury from rotating parts or thrown objects, do not stand or allow others to stand near the tiller while it is operating.
- Clear the area of all debris before beginning tiller operation.
- Operating the tiller in the fully raised position may exceed the maximum angle of the driveline.
- To avoid tiller damage and possible loss of control, do not add weight to the top of the tiller.
- To avoid injury to yourself and others; do not leave the tiller in the raised position when unattended.
- **KEEP CHILDREN AND PETS AT A SAFE DISTANCE WHEN OPERATING THE ROTARY TILLER.**
- Never wear loose clothing when operating the rotary tiller. Loose clothing may become entangled in rotating parts or become hooked on controls leading to injury or damage to property.
- Never leave the tractor operator's seat when the tractor is in motion; or while the Power Take Off (PTO) is engaged.
- Before getting off the tractor, always:
 - shut the engine off
 - remove the ignition key
 - wait for the PTO to stop turning
 - then lower the tiller to the ground
- To avoid personal injury or equipment damage, never attempt to clean or adjust the tiller with the tractor engine running.

HITCH

Operation of the TL 5040 Rotary Tiller requires the optional rear hydraulic lift and three point hitch be installed on the tractor.

FRONT COUNTERWEIGHT

Proper operation of the Rotary Tiller requires the installation of an optional front counterweight bracket and four **26** pound (**11,8** Kg.) weights.

⚠ WARNING The addition of the front counter weight may not always maintain satisfactory stability. Reduce tractor speed and exercise caution under these conditions to prevent severe personal injury or property damage.

NOTICE Do not exceed weight limitations stated in the tractor owner's manual or equipment damage may result.

TIRE PRESSURE

Proper tractor tire pressure with tiller and front weight kit installed:

	Front	Rear
Turf tires	14 psi	11 psi
Agricultural tires	20 psi	24 psi

MAINTENANCE SAFETY

- Before performing maintenance /inspection, read the instructions thoroughly.
- Before cleaning inspecting or servicing the tiller or the tractor be sure to:
 - move the Power Take **OFF** (PTO) lever to the "OFF" position.
 - lower the tiller to the ground.
 - stop the engine and remove the key.
- If you strike an object while driving or tilling, stop the engine and inspect the tractor and the tiller. Repair any damage before **you** resume operation.
- Operating the tiller or the tractor with damaged, worn or broken parts may result in severe personal injury.
- All nuts, bolts and fasteners must be tight.

SAFETY LABELS

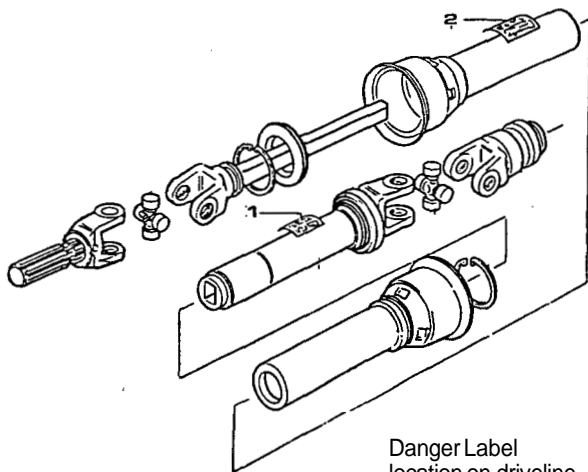
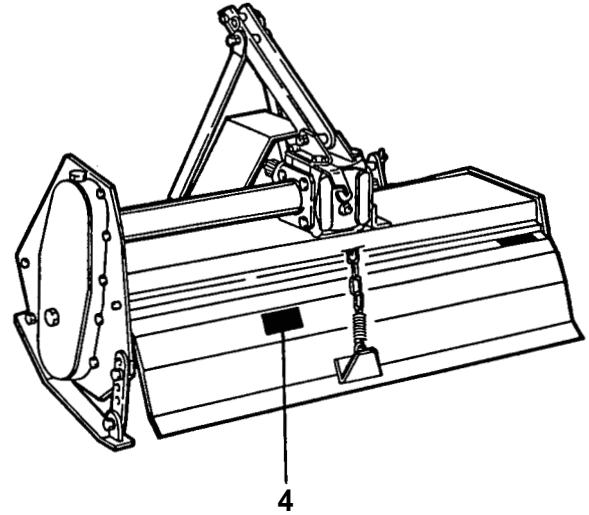
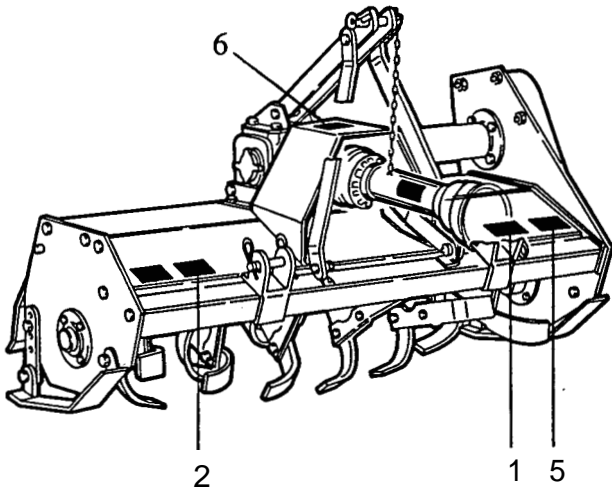


Fig. 1



Fig. 2



⚠ WARNING

IMPROPER OPERATION CAN LEAD TO SERIOUS INJURY OR DEATH.
Read and understand all instructions in operator's manual before operation.

THROWN OBJECTS CAN CAUSE SERIOUS INJURY
Keep all people and pets away.

MOVING PARTS CAN CAUSE SERIOUS INJURY

- * Be sure all guards and shields are in place before operation.
- * Stop engine, remove key, and be sure all parts have stopped moving before adjustment or servicing.

Fig. 1

⚠ DANGER

KEEP AWAY FROM ROTATING TINES
Rotating tines will cause injury

Fig. 4

NOTICE

Universal joints can be damaged if lift angle is excessive and PTO is engaged.
Adjust tractor lift linkage or hydraulic lever lifting stops.

Fig. 2

NOTICE

Fill Gearbox with oil before each use to prevent gearbox damage.

Fig. 5

⚠ WARNING

Using a high-speed PTO to drive this implement can cause severe damage and could seriously injure anyone nearby.

MAXIMUM PTO SPEED: 2000 RPM

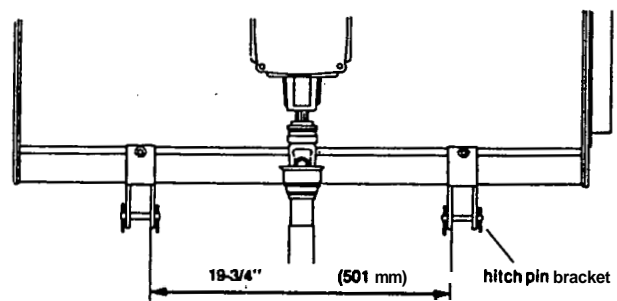
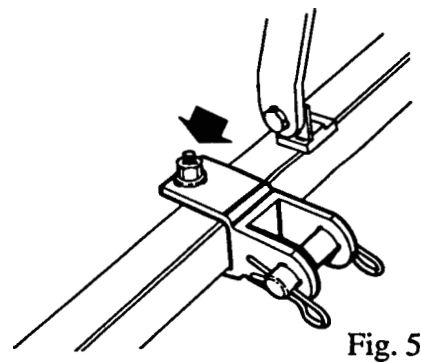
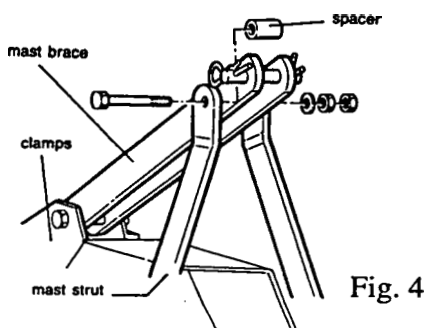
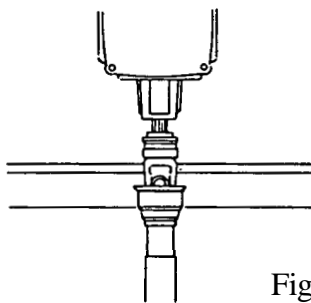
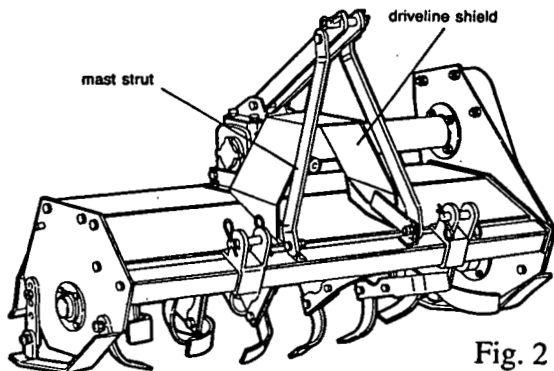
Fig. 6

DEALER ASSEMBLY INSTRUCTIONS

- 1 Install female end of driveline onto Tiller gearbox input shaft and secure with proper quick locking device Fig. 3.
- 2 Attach three point hitch mast struts and driveline shield to tiller frame using M12x30 mm bolts, lock washers and nuts Fig.2.
- 3 Attach mast braces to mast struts using a M12x90mm bolt, spacer, nut and jam nut Fig. 4.
- 4 Secure mast brackets onto clamps on gearbox housing using a M12x80mm spacer, nut and jam nut.
- 5 Install hitch pin brackets onto frame using two M12x90mm bolts, with lock washers. Fig. 5
Brackets must be installed with the weld nut

on top side maintaining a distance of 19-3/4" (501 mm) centered between brackets. Fig. 6.

- 6 Check gearbox oil level per instructions in LUBRICATION section.
- 7 Make certain all safety shields and safety labels are in place and in good condition.
- 8 Check the tiller tine bolts to ensure they are tight.
Torque to 73 ft. lbs. (10.1 Km) Fig. 7.
- 9 Apply a coating of grease to the telescoping parts of the driveline Fig. 8.
- 10 Using a grease gun and a multi-purpose grease, ensure the tiller tine shaft and the driveline are lubricated Fig. 9



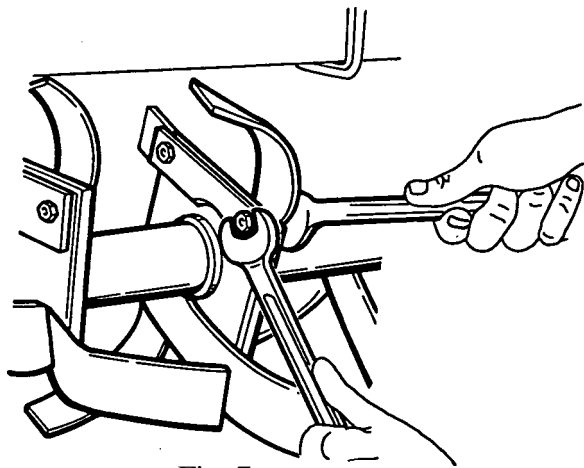


Fig. 7

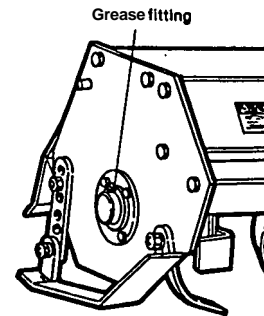


Fig. 9

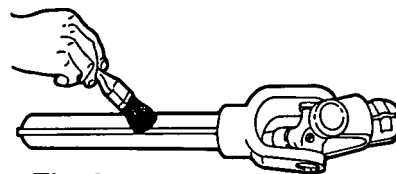


Fig. 8

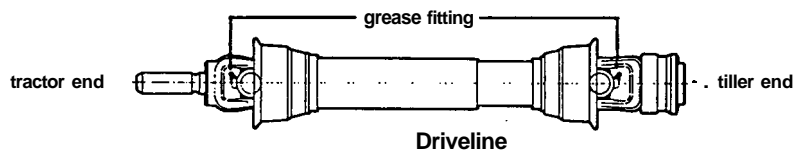


Fig. 15

DEALER CHECK LISTS

PRE-DELIVERY CHECK LIST

Inspect the Rotary Tiller thoroughly after assembly to be certain it is set up properly before delivering it to the customer. The following check list is a reminder of points to inspect. Check off each item as it is found satisfactory or after proper adjustment is made.

- Check all bolts to be sure they are tight.
- Check that all cotter pins are properly installed
- Check that all lubrication points with grease fittings have been lubricated.
- Check that tines have been properly installed.
- Check gear box oil level.
- Verify safety labels are applied and are in good condition.

PRE-DELIVERY CHECK LIST

- Show customer how to make adjustments.
- Explain importance of lubrication to customer and point out lubrication points on tiller.
- Give this Operator's Manual to the customer and ask customer to become familiar with all sections of it.

ATTACHING THE TILLER TO THE TRACTOR

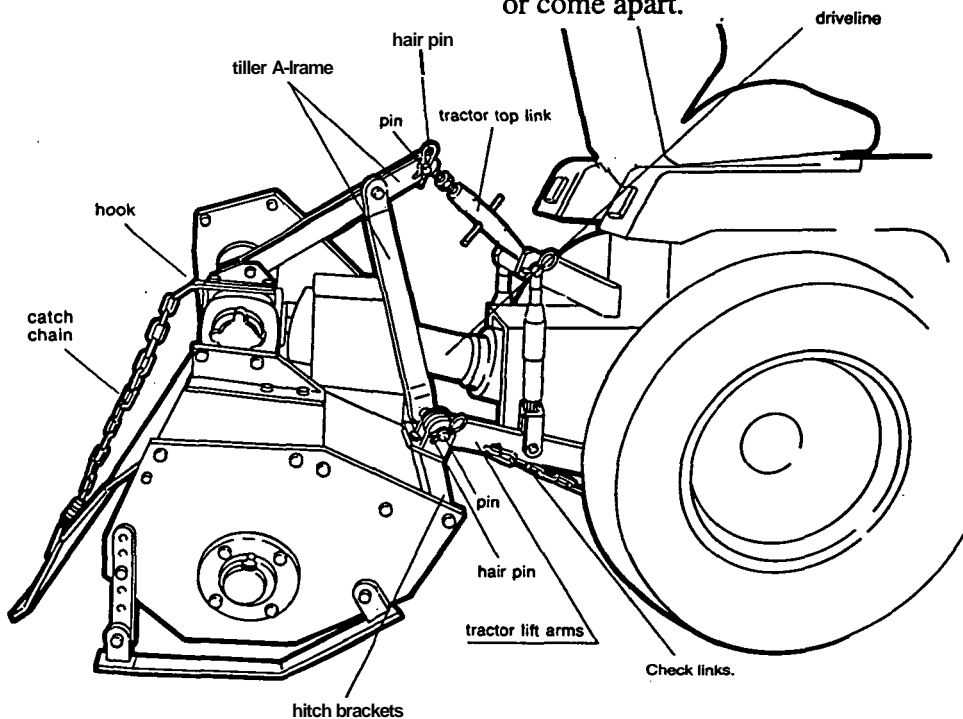
⚠ WARNING Ensure the tractor has been prepared as instructed under **TRACTOR PRÉPARATION** section of this manual to prevent serious personal injury or equipment damage.

- 1 Attach the lower lift arms of the three point hitch and secure with clips as shown Fig. 15.
- 2 Install the hitch top link to the tractor mounting bracket and secure with clip as shown Fig. 13.
- 3 Install the other end of the hitch top link to the tiller and secure with clip as shown Fig. 17.
(note: the top link should be installed with the locking nut towards the tiller).
- 4 Adjust the right hand hitch lift rod to make the tiller parallel with the ground (left to right) when the tiller is raised slightly off the ground. Shortening the lift rod will raise the right side of the tiller, lengthening the lift rod will lower the right side of the tiller Fig. 12.
- 5 Adjust the hitch top link to make tiller parallel with the ground (front to rear). Increasing the length of the top link will cause the rear of the tiller to drop, shortening the link will cause the rear of the tiller to raise. Tighten the locking nut on the top link securely Fig. 17.
- 6 Position the tiller to sit approximately in the center of the rear wheels and adjust the stabilizer check links to prevent excessive left to right sway Fig. 16.
- 7 Attach the tiller driveline to the tractor PTO by: Fig. 14-18
 - Fully depressing the locking collar and slowly push on the driveline until the locking collar returns to the locked position.
 - Move the driveline back and forth to ensure it is securely connected.
 - Make certain the driveline shields are in place and are in good condition.

Do not operate the tiller without the driveline shields in place and in good condition. This could result in severe personal injury or death.

When attaching the **PTO** driveline to the tractor, it is important that the PTO locking collar be locked in the groove on the end of the driveline.

Before operating tiller, raise and lower the tiller slowly through its full range with the three point hitch to ensure the driveline does not bottom out or come apart.



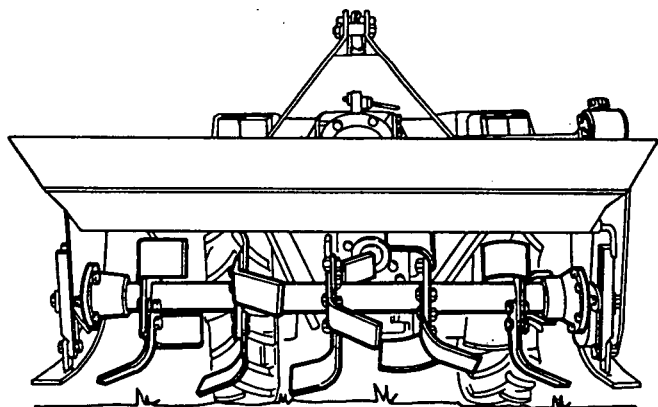


Fig. 12

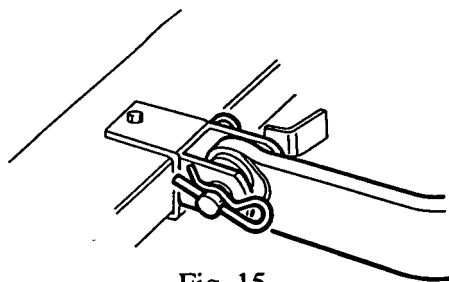


Fig. 15

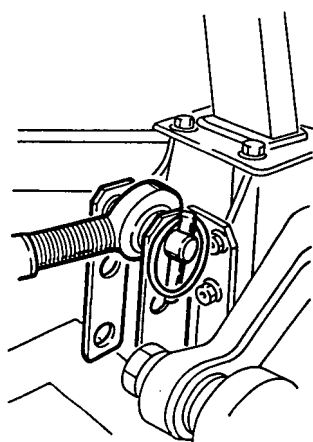


Fig. 13

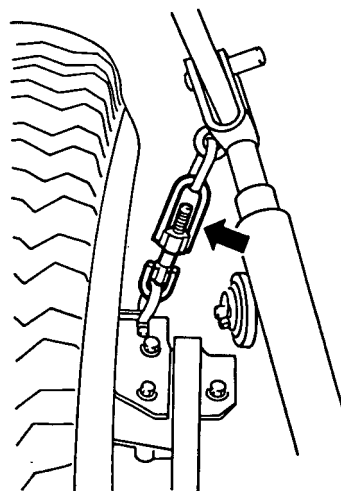


Fig. 16

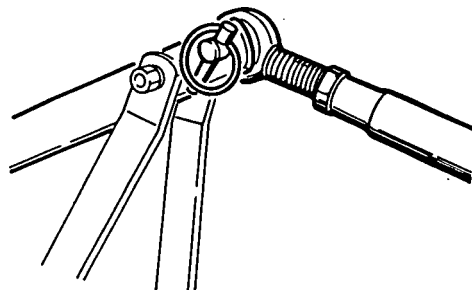


Fig. 17

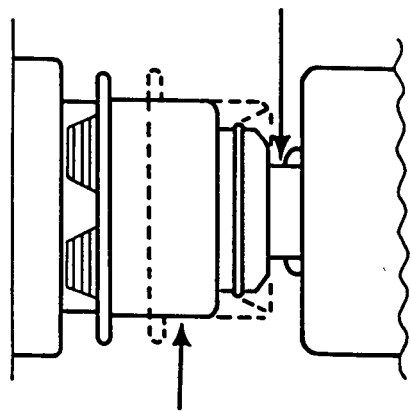


Fig. 14

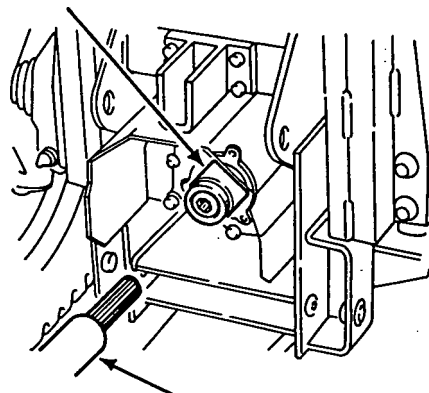
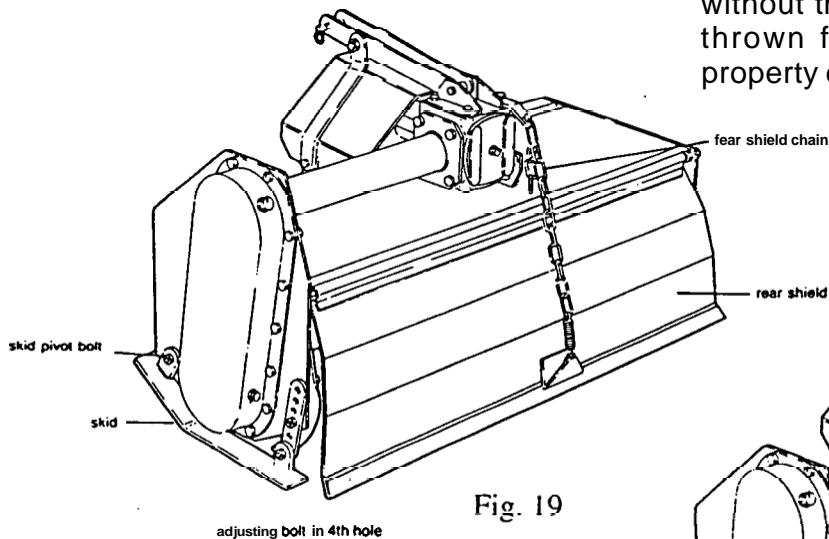


Fig. 18

TILLER ADJUSTMENTS

DEPTH ADJUSTMENT

- Position the tiller skids (one on each side) to the desired tilling depth.
- To adjust, raise the tiller off the ground and block it securely in position. Loosen the skid pivot bolt.
- Remove the adjusting bolt. Pivot the skid to the desired depth position hole, reinstall the adjusting bolt and tighten securely. Retighten the pivot bolt.

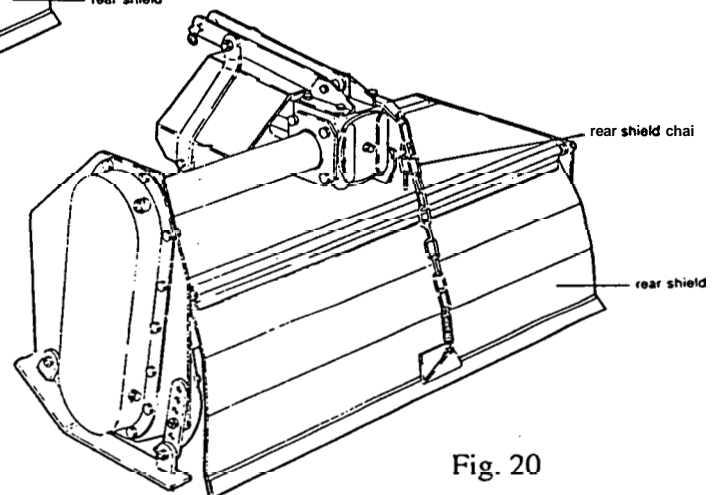


REAR SHIELD ADJUSTMENT

The rear shield can be adjusted to control the soil tith. The finest tith (consistency) is achieved with the shield in the lowest position. That position is recommended for mulching, mixing, and burying weeds, fertilizer, etc. The higher the shield is positioned, the more course the finished results. The higher positions are recommended for rocky soil. To adjust, hook the chain onto the gear box in the desired position. FIG. 20

CAUTION

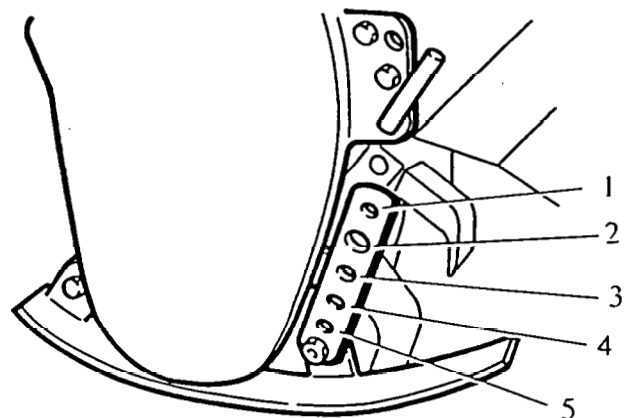
Never operate the tiller without the shield installed. Objects may be thrown from the tiller causing injury or property damage.



NOTICE Operation without skids installed can damage the tiller.

Approximate tilling depth

Hole position	5	7.00 inches (178mm)
	4	5.25 inches (133mm)
	3	3.50 inches (89mm)
	2	1.75 inches (44mm)
	1	0.25 inches (6mm)



THREE POINT HITCH ADJUSTMENT

HEIGHT ADJUSTMENT

NOTICE Avoid raising the tiller too high while the PTO is engaged because the operating angle of the driveline universal joints will be exceeded, producing noises and vibrations which may damage the driveline.

Note: When in the transport mode (and PTO is not engaged) it is acceptable to raise the tiller to the maximum height of the hitch.

UPPER LINK ADJUSTMENT

The upper hitch link is adjusted to position the tiller parallel (front to rear) with the ground. Making the upper link longer will cause the rear of the tiller to go down, making the upper link shorter will cause the rear of the tiller to go up. To adjust the upper link, first loosen the locking nut, make adjustment by turning the link body, then retightening the locking nut.

LIFT ROD ADJUSTMENT

The right lift rod of the hitch is adjustable to position the tiller parallel (left to right) with the ground. Making the right rod shorter will raise the right side of the tiller, making the right lift rod longer will lower the right side of the tiller.

TILLING

NOTICE Follow the lubrication instructions on page 13 prior to operating the tiller to prevent damage to the equipment.

Note: If your tractor is equipped with the four wheel drive option, it is recommended that you operate in the four wheel drive mode while tilling.

Position the tractor where you wish to begin tilling. Position the tiller slightly off the ground. Reduce engine RPM to about 1/4 throttle, engage the rear PTO, then increase engine RPM to full throttle.

Drive forward slowly as you lower the tiller to the ground.

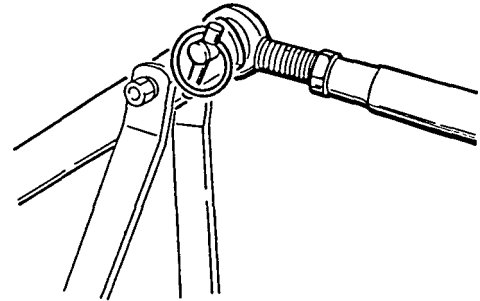


Fig. 22

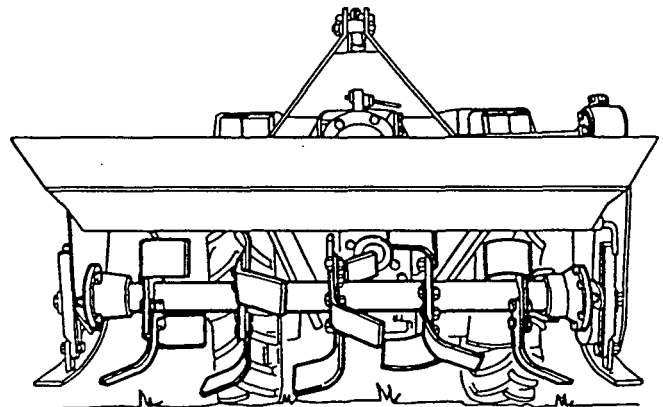


Fig. 23

Note: The tractor ground speed controls the size bites the tiller tines take in the soil. a slow ground speed results in smaller bites which requires less power.

Proper ground speed is dictated by soil conditions, heavy soils will require slower travel speed.

When you must turn, raise the tiller high enough to just clear the ground, dis-engage the PTO, then raise the tiller as high as necessary to clear obstructions and complete the turn.

NOTICE Do not attempt to turn corners with the tiller in the ground as this could result in damage to the tiller and/or tractor lift linkage.

Do not attempt to till or move in the reverse direction with the tiller on the ground or damage will result to the tiller and/or the tractor.

TRANSPORTING

When the tiller is in the fully raised (transport) position, the maximum operating angles of the driveline universal joints are exceeded. Do not engage the PTO when the tiller is in the transport position.

DETACHING TILLER FROM TRACTOR

- 1 Lower the tiller to the ground. Turn off the engine, remove the key and apply the tractor brakes.
- 2 Disconnect the hitch upper link from the tiller end.
- 3 Disconnect the two lower hitch lift arms from the tiller.
- 4 Disconnect the tiller driveline from the tractor PTO by pushing on the PTO locking collar and pulling back on the driveline.

STORAGE

When the tilling season is over, the tiller should be thoroughly checked so a minimum amount of work will be required to put it back into operation for the next season. The following recommendations are offered to aid in properly storing the tiller.

- 1 Clean the tiller thoroughly. Remove all dirt and debris from under the housing.
- 2 Lubricate the tiller and check the gearboxes for proper oil level as recommended in the LUBRICATION section of this manual.

- 3 Replace all damaged parts. Parts are available from your Honda Multi-purpose Tractor Dealer.
- 4 Clean any rust from the tiller and repaint as required to maintain the appearance of the tiller.
- 5 Replace all missing, illegible, or damaged safety and warning labels. See list of labels in this manual.
- 6 Store tiller in a clean dry area.

MAINTENANCE

BEFORE EACH USE

Check tractor tire pressure (refer to tractor preparation section of this manual). Lubricate tiller driveline as described in lubrication section of this manual.

Check tiller tines and rotor to be sure that no foreign objects such as wire or steel strapping bands are wrapped around them.

TINES

Inspect tiller tines for wear. Replace tines if they reach the condition shown in Fig. 24. Check tiller tine bolts for tightness. Torque to 73 ft. lbs. (10,1 Km).

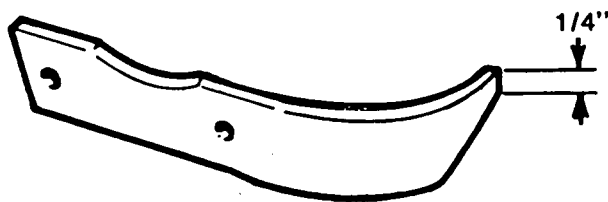


Fig. 24

Make certain driveline shields are in place and in good condition.

During operation, listen for abnormal sounds which might indicate loose parts, damaged bearings, or other damage. Correct any problems immediately.

WEEKLY

Grease the tiller bearing. Check tiller input gear box and final drive oil level as indicated in lubrication section of this manual.

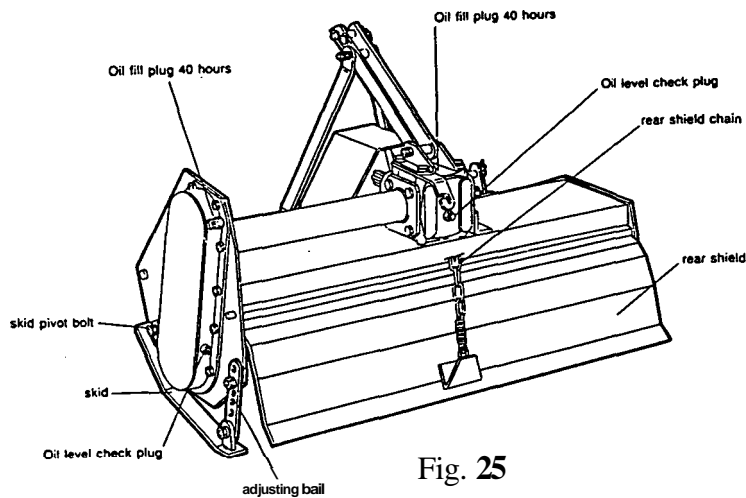


Fig. 25

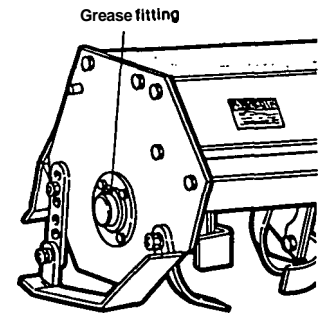


Fig. 26

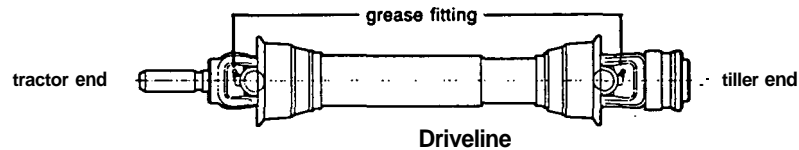


Fig. 27

LUBRICATION

BEFORE EACH USE

- 1 Driveline Universal Joints - Apply grease to each fitting using grease gun (fig. 27).
- 2 Driveline - Disconnect driveline and separate sections. Apply grease to male tube. Reassemble driveline. (fig. 8)
- 4 Input Gearbox - With tiller level, remove oil level check plug on rear of gearbox housing. Correct oil level is at bottom of check plug. Add oil if necessary. Gearbox capacity **14 oz.**
- 5 Lateral chain housing - With tiller level, remove oil level check plug on side of housing. Correct oil level is at bottom of check plug. Add oil if necessary. Chain housing capacity is **28 oz.**

EVERY 40 HOURS

- 3 Rotor Shaft Bearing - Apply **2-3 shots of** grease to grease fitting at right end of rotor shaft using hand pump grease gun (**fig. 26**).

Chain Housing Oil	AGMA 8EP Ind gear oil or SAE 140 GL 5 gear oil (when the first oil is unavailable)
Gearbox Oil	SAE 90 or 80W - 90 wt. oil
Grease	lithium base grease

THROUBLESHOOTING

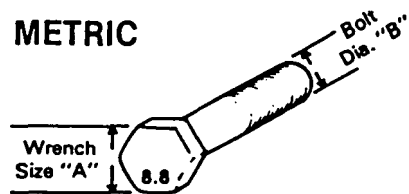
SYMPTONS	PROBABLE CAUSE	REMEDY
Uneven Till	Tiller not level right to left	Adjust skids for same depth Adjust hitch right lift arm
Noisy	Loose components	Check all bolts for tightness. Refer to Torque Specifications
	Low oil in gearbox	Check for proper oil level. Refer to Lubrication section.
Knocking or Chattering	Tiller is tilted towards the rear	Adjust 3-point hitch top link to level tiller
Bogging	Foreign material wrapped around rotor	Remove foreign material

SPECIFICATIONS

Approximate Working Width	40"
Inside Housing Width	39"
Input RPM	2,000
Type Hitch	3-point Cat. 0
Tine Shaft Speed	288 RPM
Gearbox Ratios	Input - 4.1 : 1 Lateral - 1.69 : 1
Deck Material	5/64" steel
Tilling Depth	0" - 7"
No. of Tines	24
Implement Weight	244 lbs
Shipping Weight	271 lbs
Chain Housing Oil	AGMA 8EP Ind gear oil or SAE 140 GL5 gear oil (when the first oil is unavailable)

TORQUE SPECIFICATIONS

METRIC



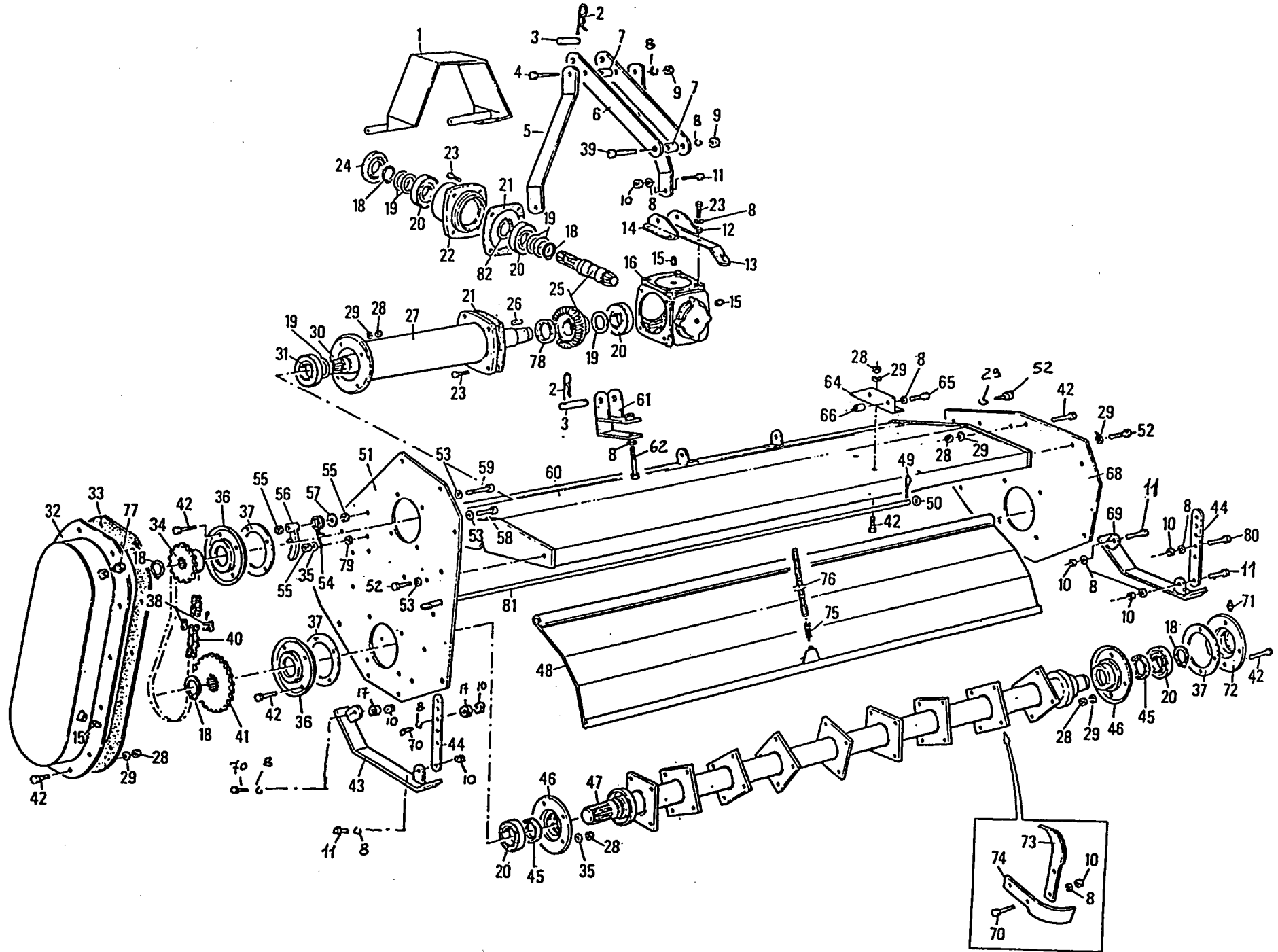
Numbers appearing on bolt heads indicate **ASTM** class.

Proper torque for metric fasteners used on TL 5040 Tiller. Recommended Torque in Foot Pounds (Newton Meters).*

WRENCH SIZE (mm) "A"	BOLT DIA. (mm) "B"	ASTM CLASS 4.6	ASTM CLASS 8.8	ASTM CLASS 9.8	ASTM CLASS 10.9
8	5	1.8 (2.4)		5.1 (6.9)	6.5 (8.8)
10	6	3(4)		8.7 (12)	11.1 (15)
13	8	7.3 (10)		21.1 (29)	27 (37)
16	10	14.5 (20)		42 (57)	53 (72)
18	12	25 (34)	74 (100)	73 (99)	93 (126)
21	14	40 (54)	118 (160)	116 (157)	148 (201)
24	16	62 (84)	167 (226)	181 (245)	230 (312)
30	20	122 (165)	325 (440)		449 (608)
33	22		443 (600)		611 (828)
	24	211 (286)	563 (763)		778 (1054)
41	27		821 (1112)		1138 (1542)
46	30	418 (566)	1119 (1516)		1547 (2096)

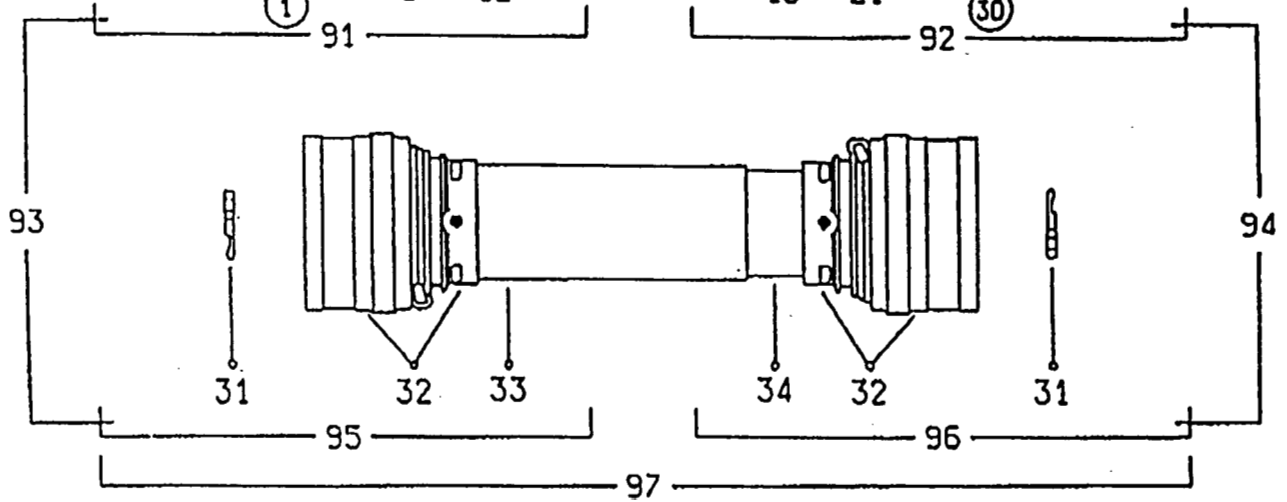
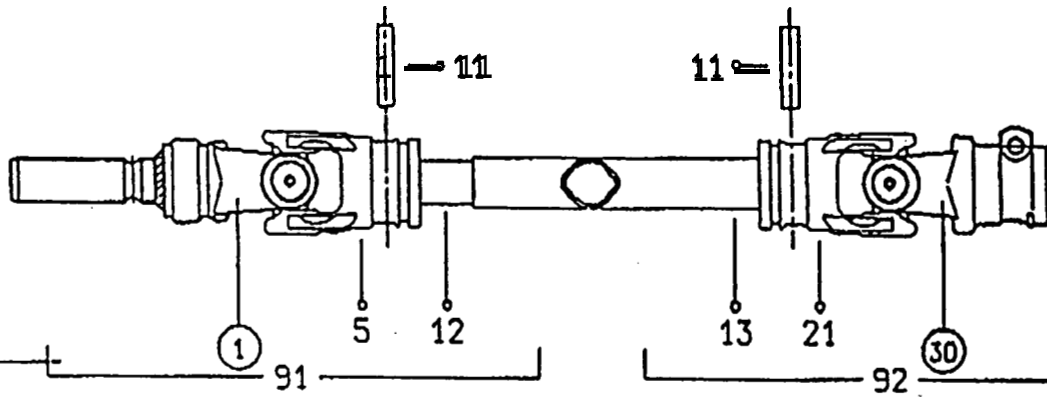
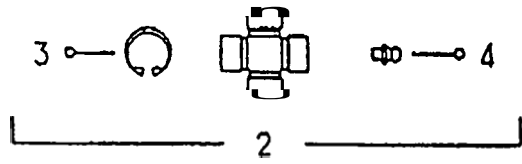
* Use 75% of the specified torque value for plated fasteners. Use 85% of the specified torque values for lubricated fasteners.

PARTS LISTING



DESCRIPTION	REF.
PTO SHIELD _____	1
SHAFETY PIN DIAM. 3 _____	2
LIFT PIN CAT 0 _____	3
SCREW M12x80 _____	4
MAST SUPPORT _____	5
MAST BRACE _____	6
MAST SPACER _____	7
SPRING WASHER DIAM. 12 _____	8
NUT M12 L _____	9
NUT M12x1,25 H _____	10
SCREW M12x1,25x35 _____	11
RH GEARBOX HALF CLAMP _____	12
REAR SHIELD CHAIN HOOK _____	13
LH GEARBOX HALF CLAMP _____	14
OIL PLUG 3/8" G _____	15
GEARBOX HOUSING _____	16
SPACER _____	17
CIRCLIP E 35 _____	18
SHIM _____	19
BALL BEARING 6207 _____	20
GASKET _____	21
GEARBOX FRONT COVER _____	22
SCREW M12x25 _____	23
OIL SEAL 35x72x10 _____	24
BEVEL GEAR Z=41 _____	25A
PTO SHAFT • PINION Z=10 _____	25B
KEY 10x8x30 _____	26
SHAFT PIPING _____	27
NUT M10 H _____	28
SPRING WASHER DIAM. 10 _____	29
SHAFT _____	30
BEARING 6207 - 1Z _____	31
CHAIN CASE _____	32
CHAIN CASE GASKET _____	33
UPPER SPROCKET _____	34
FLAT WASHER DIAM. 10 _____	35
BEARING LODGING COVER _____	36
SPACER _____	37
_____	38
SCREW M12x70 _____	39
CPLT DRIVE CHAIN ASA 50x41 _____	40
LOWER SPROCKET Z=22 _____	41

DESCRIPTION	REF.
SCREW M10x25 _____	42
LH SKID _____	43
STAND _____	44
OIL SEAL 40x52x10 RP _____	45
OIL SEAL LODGING COVER _____	46
ROTOR _____	47
REAR SHIELD _____	48
SPLIT PIN DIAM. 5X35 _____	49
FLAT WASHER DIAM. 12 _____	50
LH SIDE FRAME _____	51
SCREW M10x20 _____	52
HARDSTEELWASHER _____	53
TENSIONER ARM SPRING _____	54
NUT M10 METAL TRIBLOCK _____	55
CHAIN TENSIONER ARM _____	56
FLAT WASHER DIAM. 10 _____	57
SCREW M10x35 _____	58
SCREW M10x60 _____	59
FRAME _____	60
HITCH PIN BRACKET _____	61
SCREW M12x90 _____	62
SCREW M10x30 _____	63
GEARBOX LATERAL SUPPORT _____	64
SCREW M12x40 _____	65
BUSHING _____	66
_____	67
RH SIDE FRAME _____	68
RH SKID _____	69
SCREW M12x1,25x45 _____	70
GREASE NIPPLE M10x1 _____	71
ROTOR COVER _____	72
SPEED BLADE RH _____	73
SPEEDBLADERH _____	74
REAR SHIELD SPRING _____	75
REAR SHIELD CHAIN _____	76
OIL PLUG 3/8" G _____	77
OIL SEAL 40x52x7 _____	78
NUT M10 L _____	79
SCREW M12x1,25x30 _____	80
REAR SHIELD PIN DIAM. 12 _____	81
CIRCLIP I - 72 _____	82



DESCRIPTION	REF.
-------------	------

YOKE _____	1
CROSS JOURNAL ASS. _____	2
CIRCLIP _____	3
GREASE NIPPLE _____	4
YOKE FOR TUBE _____	5
FLEXIBLE PIN _____	11
CARDAN TUBE _____	12
CARDAN TUBE _____	13
OUTER TUBE YOKE _____	21
YOKE _____	30
KEY _____	31
CONE WITH COLLAR _____	32
SAFETY TUBE _____	33
SAFETY TUBE _____	34
HALF SHAFT _____	91
HALF SHAFT _____	92
HALF SHAFT _____	93
HALF SHAFT _____	94
HALF SAFETY GUARD _____	95
HALF SAFETY GUARD _____	96
SAFETY GUARD _____	97

WARRANTY SERVICE

OWNER SATISFACTION

Your satisfaction and goodwill are important to your dealer and to us. All Honda warranty details are explained in the Distributor's Limited Warranty. Normally, any problems concerning the product will be handled by your dealer's service department. If you have a warranty problem that has not been handled to your satisfaction, we suggest you take the following action:

- Discuss your problem with a member of dealership management. Often complaints can be quickly resolved at that level. If the problem has already been reviewed with the Service Manager, contact the owner of the dealership or the General Manager.
- If your problem still has not been resolved to your satisfaction, contact the Power Equipment Division of American Honda Motor Co., Inc.

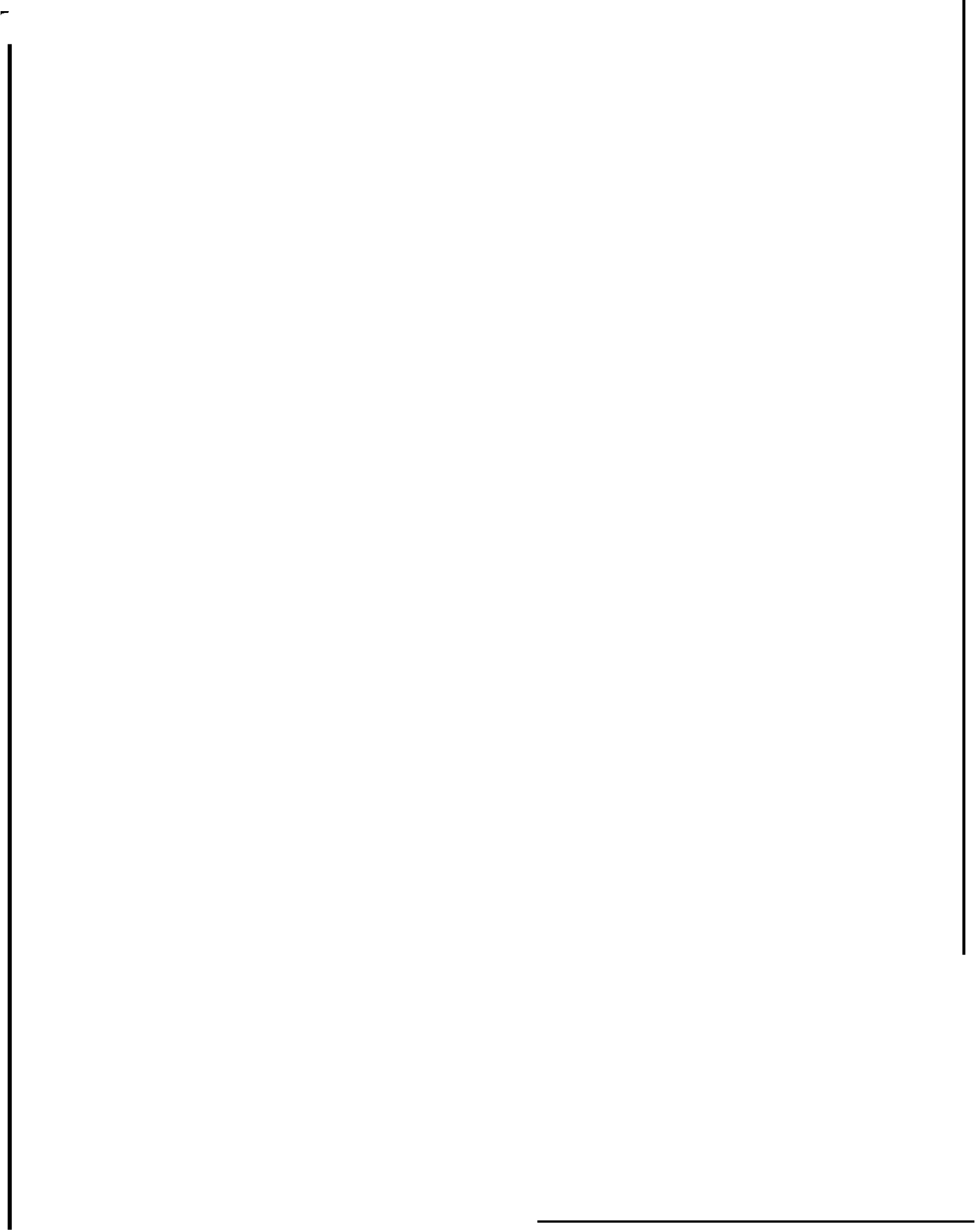
American Honda Motor Co., Inc.
Power Equipment Customer Service Department
4475 RIVER GREEN PARKWAY
Duluth, Georgia 30136
Telephone: (404) 497-6400

We will need the following information in order to assist you:

- Your name, address, and telephone number
- Product model and serial number
- Date of Purchase
- Dealer name and address
- Nature of problem

After reviewing all the facts involved, you will be advised of what action can be taken. Please bear in mind that your problem will likely be resolved at the dealership, using the dealer's facilities, equipment, and personnel, so it is very important that your initial contact be with the dealer.

Your purchase of a Honda product is greatly appreciated by both your dealer and American Honda Motor Co., Inc. We want to assist you in every way possible to assure your satisfaction with your purchase.



HONDA



Printed on
Recycled Paper