

HONDA

Power

Equipment

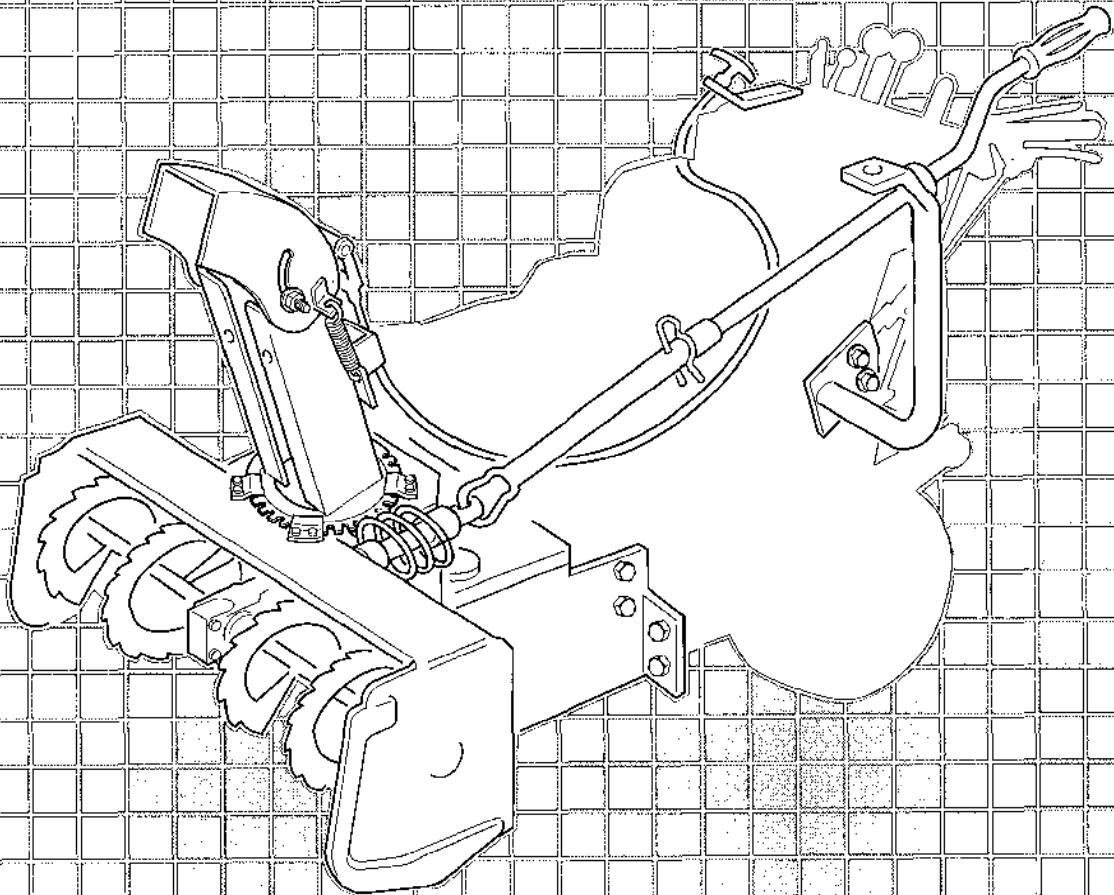
HTA

OPERATOR'S MANUAL

SB7038 Snowblower

for use with a

HRC 7000-Series Mid-Size Commercial Mower Power Head



The information in this operator's manual is limited in application to the Honda SB7038 Snowblower when installed and used on a Honda mid-sized commercial mower power head. Before installing or operating this equipment, read this operator's manual and the owner's manual supplied with the power head.

All information in this publication is based on the latest product information available at the time of printing. American Honda Motor Co., Inc. reserves the right to make changes at any time without notice and without incurring any obligation. No part of this publication may be reproduced without written permission.

This manual is a permanent part of the snowblower and must stay with the snowblower if resold.

Table Of Contents

THE IMPORTANCE OF INSTALLATION	3
<i>IMPORTANT SAFETY PRECAUTIONS.....</i>	<i>3</i>
<i>Safety Labels</i>	<i>4</i>
Assembly and Installation.....	5
<i>Inventory Loose Parts</i>	<i>5</i>
<i>Inventory Hardware Bags</i>	<i>6</i>
<i>Hardware Measuring Chart.....</i>	<i>7</i>
<i>Torque Values.....</i>	<i>7</i>
<i>Uncrate the snowblower</i>	<i>8</i>
<i>Remove the Mower Deck.....</i>	<i>8</i>
<i>Install the Tension Release Control.....</i>	<i>8</i>
<i>Assemble the Snowblower.....</i>	<i>9</i>
<i>Install the Snowblower.....</i>	<i>11</i>
Safety Recommendations	15
<i>Introduction</i>	<i>15</i>
<i>Training</i>	<i>15</i>
<i>Preparation</i>	<i>15</i>
<i>Before Operation.....</i>	<i>16</i>
<i>Operation</i>	<i>16</i>
<i>Children.....</i>	<i>17</i>
<i>Stopping.....</i>	<i>18</i>
<i>Maintenance</i>	<i>18</i>
<i>Controls.....</i>	<i>19</i>
Removing and Storing the Snowblower	22
<i>Deflector Cable Removal.....</i>	<i>22</i>
<i>Chute Rotator Removal</i>	<i>22</i>
<i>Snow Blower Removal.....</i>	<i>22</i>
<i>Storing the Snow Blower.....</i>	<i>22</i>
Maintenance & Adjustments.....	23
<i>Maintenance Schedule</i>	<i>23</i>
<i>Adjustments</i>	<i>23</i>
<i>Other Maintenance Items.....</i>	<i>24</i>
Parts Listing	26
Optional Accessories	28
<i>Headlight Kit.....</i>	<i>28</i>
<i>Engine Cold Weather Kit</i>	<i>28</i>
<i>AG Tire Kit</i>	<i>28</i>
Warranty Service Information.....	29

THE IMPORTANCE OF INSTALLATION

Proper installation is essential to operator safety and the reliability of the machine. Any error or oversight made by the technician assembling and servicing a unit can easily result in faulty operation, damage to the machine, or injury to the operator.

⚠ WARNING

Improper service can cause an unsafe condition that can lead to serious injury or death.

Follow the procedures and precautions in installation instructions and shop manuals carefully.

Some of the most important safety precautions are given below. However, we cannot warn you of every conceivable hazard that can arise in performing this installation. Only you can decide whether or not you should perform a given task.

⚠ WARNING

Failure to properly follow installation instructions and precautions can cause you to be seriously hurt or killed.

Follow the procedures and precautions in installation instructions carefully.

IMPORTANT SAFETY PRECAUTIONS

Make sure you have a clear understanding of all basic shop safety practices and that you are wearing appropriate clothing and safety equipment. When performing this installation, be especially careful of the following:

- Read the instructions before you begin, and make sure you have the tools and skills required to perform the tasks safely.

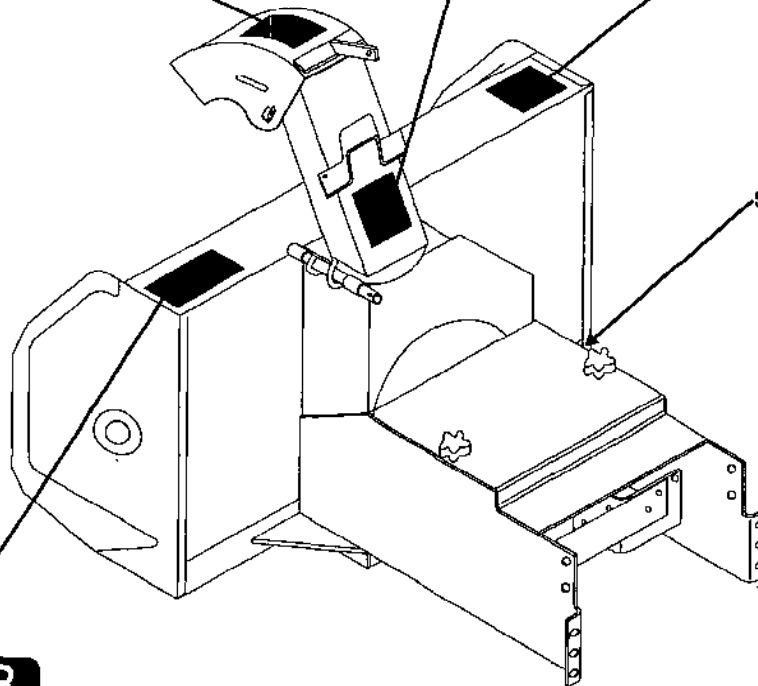
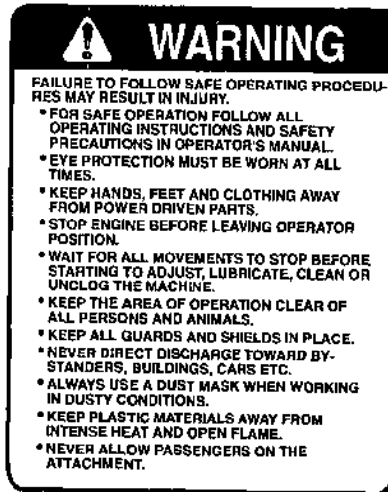
Make sure the engine is off before you begin any maintenance or repairs. This will help eliminate several potential hazards:

- Carbon monoxide poisoning from engine exhaust. Be sure there is adequate ventilation whenever you run the engine.
- Burns from hot parts. Let the engine and exhaust system cool before touching.
- Injury from moving parts. Do not run the engine unless the instruction tells you to do so. Even then, keep your hands, fingers, and clothing away. Do not run the engine when any protective guard or shield is removed.

To reduce the possibility of a fire or explosion, be careful when working around gasoline or batteries. Use only a nonflammable solvent, not gasoline, to clean parts. Keep all cigarettes, sparks, and flames away from the battery and all fuel-related parts.

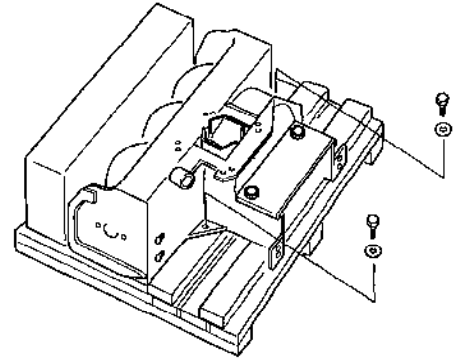
Safety Labels

Immediately replace any label that becomes damaged or unreadable. Contact a servicing Honda commercial mower dealer for replacement label.

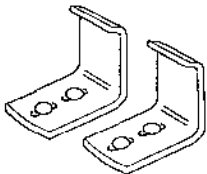


Assembly and Installation

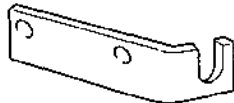
1. Remove the lag bolts holding the blower head and the pulley assembly to the shipping pallet.
2. Remove the blower head and pulley assembly from the pallet.
3. Remove the loose parts box, then inventory the contents.



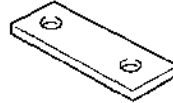
Inventory Loose Parts



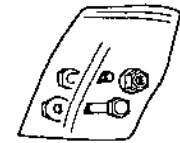
SKID SHOES (2)



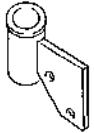
CABLE BRACKET



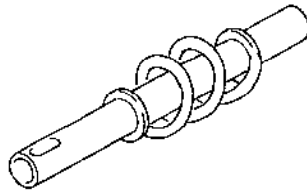
CABLE BRACKET SPACER



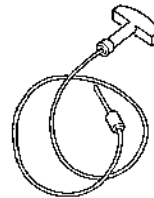
SPARE SHEAR BOLT
HARDWARE BAG



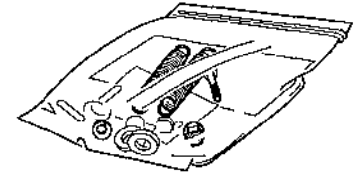
WORM SUPPORT BRACKET



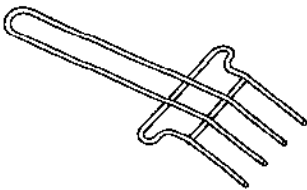
WORM GEAR



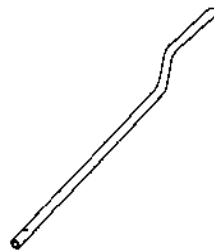
CABLE ASSEMBLY



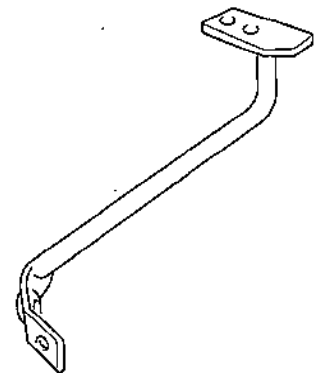
LARGE HARDWARE BAG



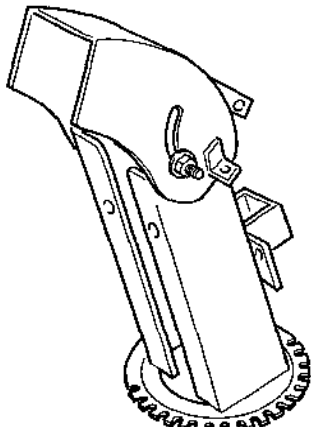
DISCHARGE GUARD



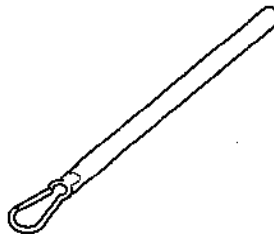
UPPER CRANK ROD



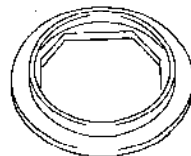
HANDLE SUPPORT



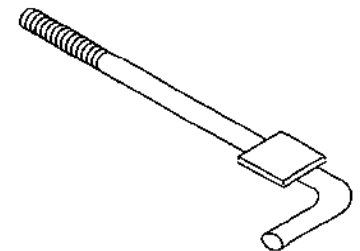
DISCHARGE CHUTE



LOWER CRANK ROD



ANTIFRICTION RING

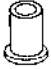


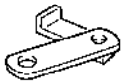

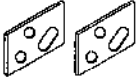






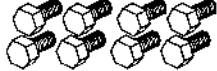





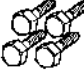



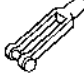




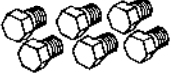





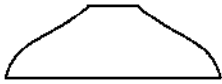
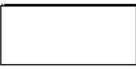



TENSION RELEASE ROD

Inventory Large Hardware Bag

There is a large and small hardware bag. The hardware in the large bag are used for the initial assembly and installation, while the hardware in the small, resealable bag consists of spare shear bolts.

Be sure to inventory all hardware in the large bag before assembling the snowblower.

 3/4 ID x 1-11/16" plastic bushing	 5/16 x 1" carriage bolt (4)	 pivot pin	 release plate
 3/8" flat washer (4)	 face plate (2)	 3/4 ID x 1-5/16" plastic bushing	 5/16" lock washer (6)
 5/16" flat washer (9)	 3/8 x 1-1/2" shoulder bolt	 1/4" lock washer (10)	 grommet
 1/2 x 1" hex bolt (8)	 2-15/16" spring clip	 5/16 x 1" hex bolt (2)	 cable clamp & shim
 retaining plate (4)	 1/4" hex nut (10)	 1/4 x 3/4" hex bolt (4)	 5/16" hex nut (4)
 3/8" flange nut (2)	 5/16" flange nut (4)	 clevis assembly	 9/32" spacer
 3/8 x 1" hex bolt (2)	 5/16 x 2" hex bolt (2)	 1/2 x 3" plastic handle	 1/4 x 1/2" hex bolt (6)
 tie wrap, 7"	 1/2" flange nut (8)	 spring (2)	 3/32 x 3/4" cotter pin
 tie wrap, 4"	 plastic cable boot	 packing list	 1/2" flat washer (2)

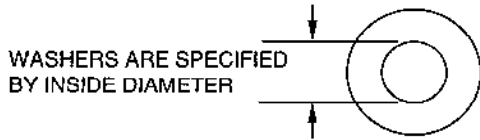
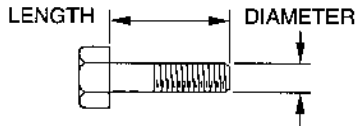
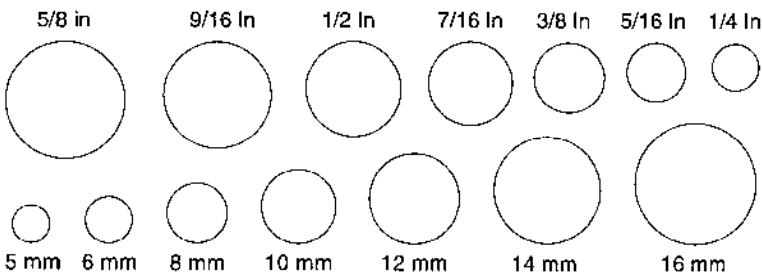
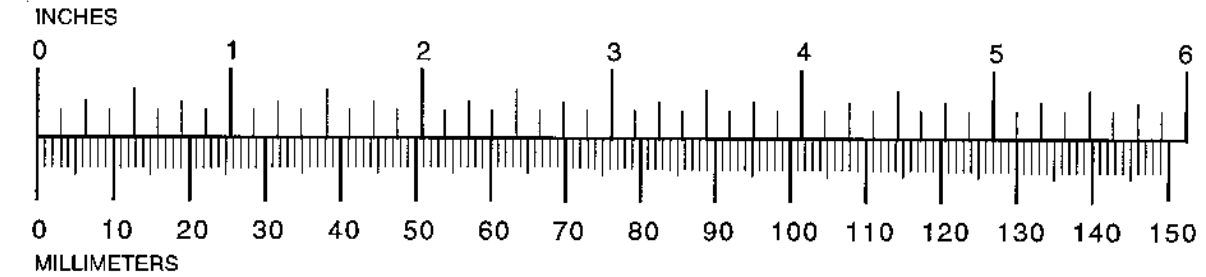
The smaller, resealable hardware bag contains:

- 1/4 x 1" fan shaft shear bolt, hex head (2)
- 5/16 x 2-1/4 auger shaft shear bolt, hex head (2)
- 1/4" self-locking hex nut (2)
- 5/16" hex nut (2)
- 5/16" lockwasher (2)

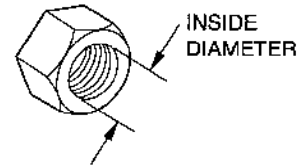
These spare parts should be used in the event a shear bolt on the auger or fan shaft breaks.

Hardware Measuring Chart

How to measure hardware and components:



NUTS ARE SPECIFIED BY INSIDE DIAMETER (AT THREAD DEPTH)



Torque Values

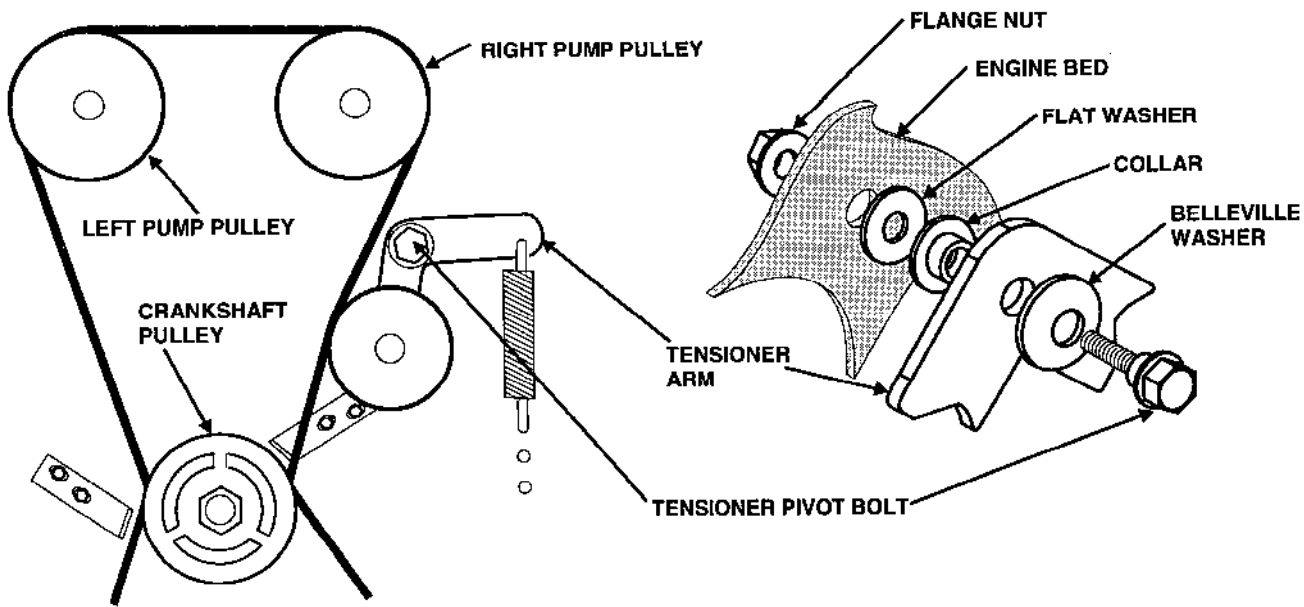
Fastener / Size	N•m	ft.-lb.
Hex nut / bolt, 1/4"	6.8~8.1	5~6
Hex nut / bolt, 5/16"	14~16	10~12
Hex nut / bolt, 3/8"	27~31	20~23
Hex nut / bolt, 7/16"	41~47	30~35
Hex nut / bolt, 1/2"	61~70	45~52
8 x 25 mm flange bolts	9~19	7.2~14

Remove the Mower Deck

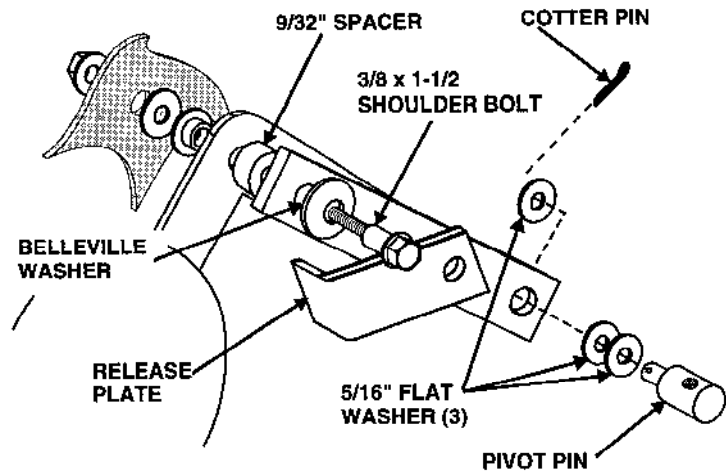
1. Follow the procedure in the HRC 7000-series *Owner's Manual* or *Shop Manual* and remove the mower deck from the power head.
2. Save the bolts and flange nuts to use with the mower deck when it is reinstalled.

Install the Tension Release Control (hydrostatic drive models)

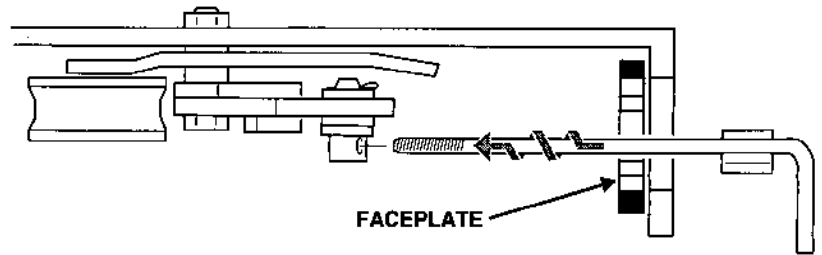
1. Assemble the pivot pin on the release plate with three 5/16" flat washers and a cotter pin as shown.
2. Raise and support the rear of the power unit to reach the pump belt tensioner.
3. Remove the tensioner pivot bolt and belleville washer.



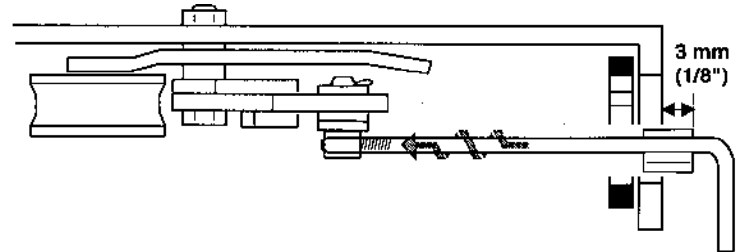
4. Install the belleville washer, release plate, and spacer over the new pivot bolt.
5. Install the pivot bolt through the tensioner and into the engine bed. Install the flange nut on the tensioner bolt and tighten the bolt.



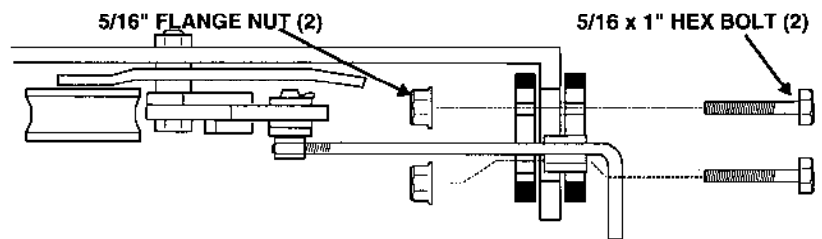
6. Hold one of the face plates behind the opening in the engine bed. Slide the threaded end of the release rod through the opening and the slot in the face plate.



7. Thread the release rod into the pivot pin until the edge of the welded plate on the rod is 3 mm (1/8") from the engine bed.



8. Position the second faceplate as shown. Install two 5/16 x 1" hex bolts and 5/16" flange nuts to securely tighten the faceplates to the engine bed.

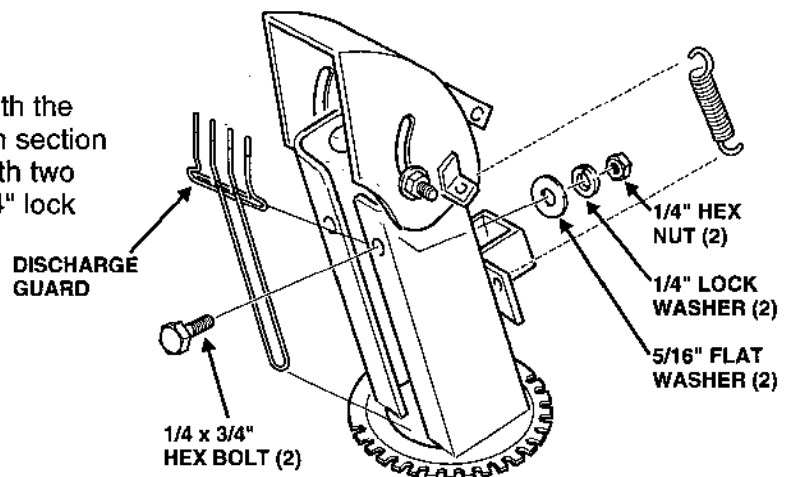


9. Verify that the release rod slides in and out of the face plates and operates the release plates properly.

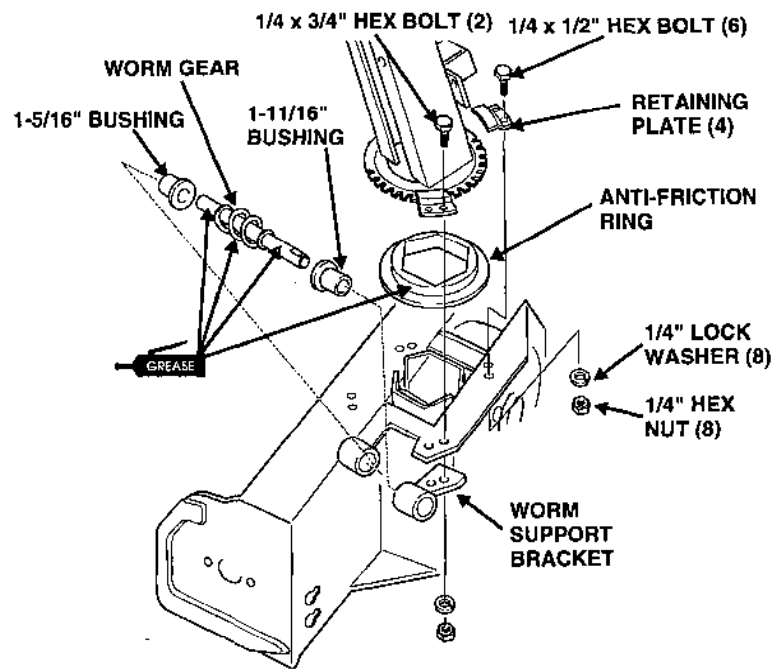
Assemble the Snowblower

Chute Assembly

1. Install the discharge guard on the chute with the top portion *inside* the chute and the bottom section *outside* the ring base. Fasten the guard with two 1/4 x 3/4" hex bolts, 5/16" flat washers, 1/4" lock washers and 1/4" hex nuts.
2. Install the two springs as shown.

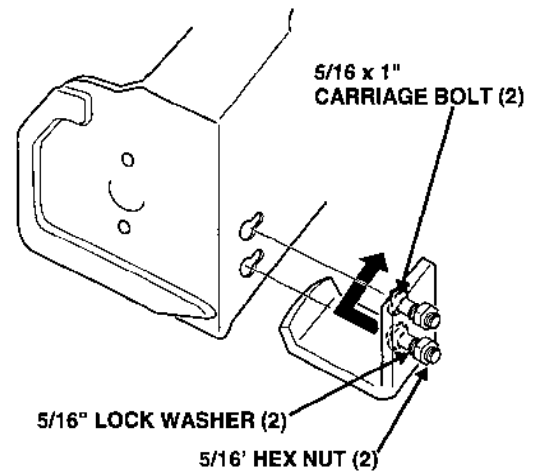


3. Lightly coat the top side of the anti-friction ring with general purpose grease, and place it over the chute base. The ring is keyed and will only fit on the chute base one way.
4. Insert the shorter plastic (1-5/16") bushing into the boss on the blower head. Insert the longer bushing (1-11/16") in the worm support bracket.
5. Lightly coat both shafts of the worm with general purpose grease. Insert the longer end of the worm through the worm support bracket, and insert the shorter end into the boss on the blower head.
6. Install the chute over the anti-friction ring, and place the four retaining plates into position over the chute sector. Insert two 1/4 x 3/4" bolts through the retaining plate, housing, and worm support bracket. Secure the bolts with 1/4" lock washers and 1/4" hex nuts.
7. Attach the remaining three retaining plates in a similar manner using 1/4 x 1/2" bolts.



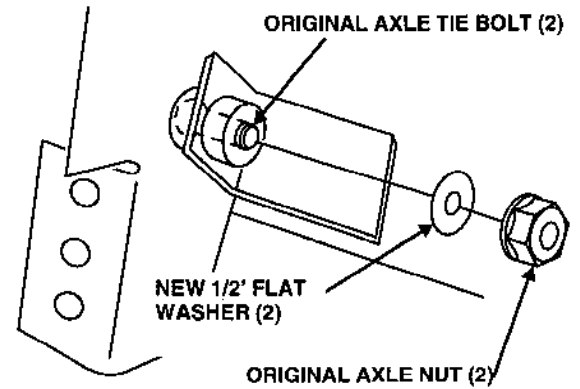
Skid Shoe Assembly

1. Insert two 5/16 x 1" carriage bolts through a skid shoe as shown. Loosely install a 5/16" lock washer and 5/16" hex nut on each bolt.
2. Place the bolt heads through the holes on the rear of the housing, and slide the square shanks into the slots. Tighten the nuts.
3. Repeat the process for the shoe on the other side. Adjust the skid shoe height (page 23) after installing the snowblower.

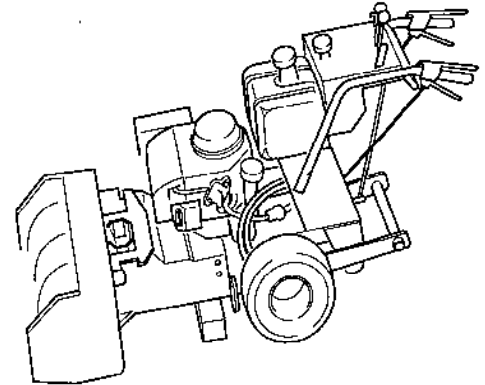


Install the Snowblower

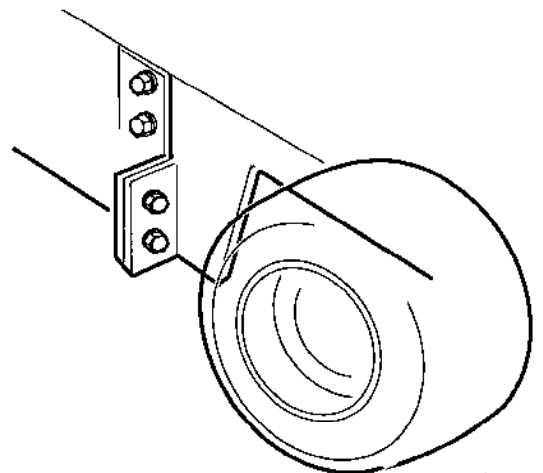
1. Check that the power unit is in "Low Range" at the 2-1/2" cutting-height position. Refer to the mid-sized commercial mower owner's manual or shop manual as needed.
2. Loosen the two belt guards around the crankshaft pulley. Refer to the mid-size commercial mower owner's manual or shop manual for details.
3. Install a 1/2" flat washer on the axle tie bolt, then install the original axle tie nut. On hydrostatic drive models, open the pump bypass valves.



4. Place the power unit directly behind the snowblower and remove the belt cover. Raise and support the underside of the snowblower.

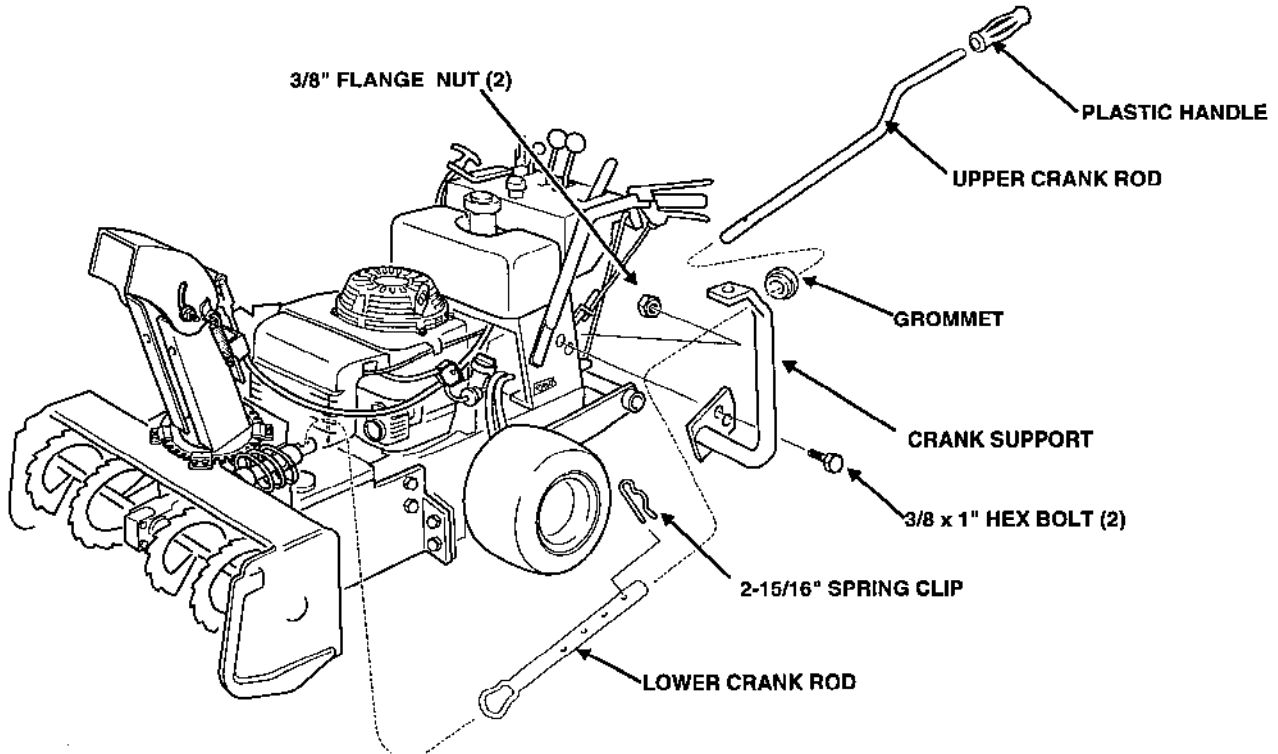


5. Connect the power unit to the snow thrower using eight 1/2 x 1" bolts and eight 1/2" flange nuts.
6. Install the snow blower belt on the engine pulley and tensioner. Adjust the belt tension (see the mid-size commercial mower owner's manual or shop manual).
7. Replace the belt cover.



Chute Rotator Assembly

1. Install the crank support on the power head with two 3/8 x 1" bolts and flange nuts.
2. Install the grommet through the hole in the support.



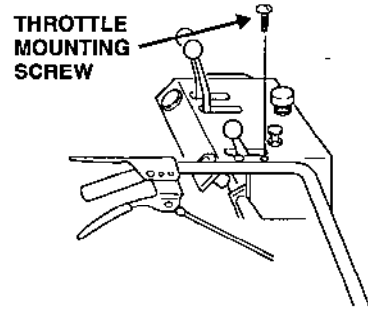
3. Attach the lower crank rod to the worm gear by placing the hook on the lower crank rod through the hole in the worm gear shaft.
4. Insert the upper crank rod through the grommet in the crank support and into the the lower crank rod. Secure it with a 2-15/16" spring clip. Install the plastic handle over the end of the upper crank rod.

Deflector Cable Assembly

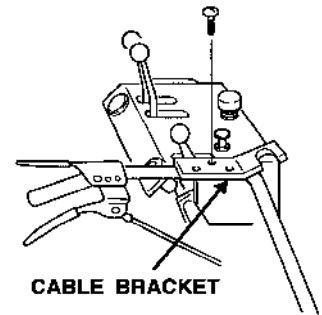
1. Remove the forward throttle mounting screw, and use it to temporarily hold the cable bracket in position.

The cable bracket will be used as a guide to mark, and drill the two mounting bolt holes in the handle tube.

Position the cable bracket so it is parallel to the right side handle tube.

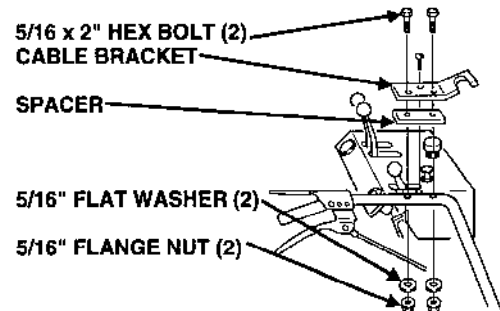


2. Use a center punch to mark the center of one of the holes in the upper bracket. Put on safety glasses and drill a 21/64" hole into the handle tube. Install a bolt through the drilled hole to hold the location, and drill the second hole through the handle.



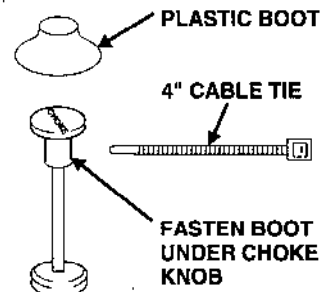
3. Remove the cable bracket and deburr the drilled holes in the handle tube.

4. Put the cable bracket and spacer into position and secure them with the throttle screw and two 5/16x2" bolts, washers, and flange nuts as shown.

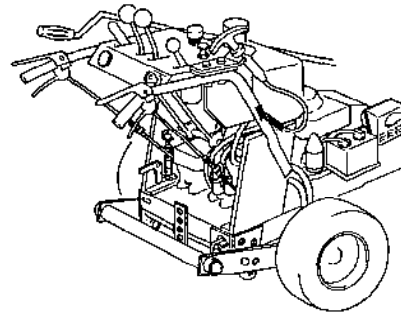


5. Carefully stretch the protective plastic boot over the choke knob. Use the small 4" cable tie to secure the boot to the underside of the choke knob.

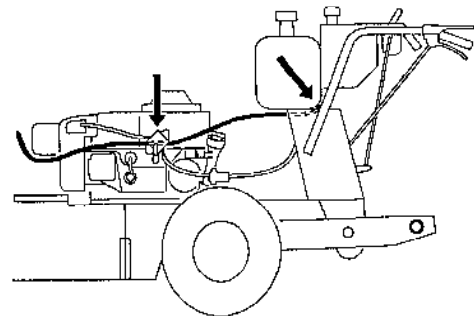
This plastic boot will help prevent snow and moisture from getting into the choke cable.



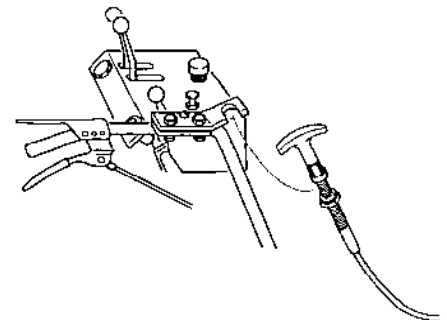
6. Route the cable behind the fuel tank and above the the speed control arms. On 7018/20 models, thread the cable through the same slot on the fuel support bracket used by the choke and throttle cables.



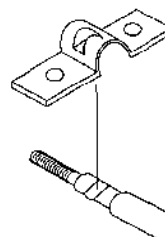
7. On 7013 models, use the 7" cable tie to secure the cable to the left-side tank support. On 7018/20 models route the cable behind the fuel pump bracket.



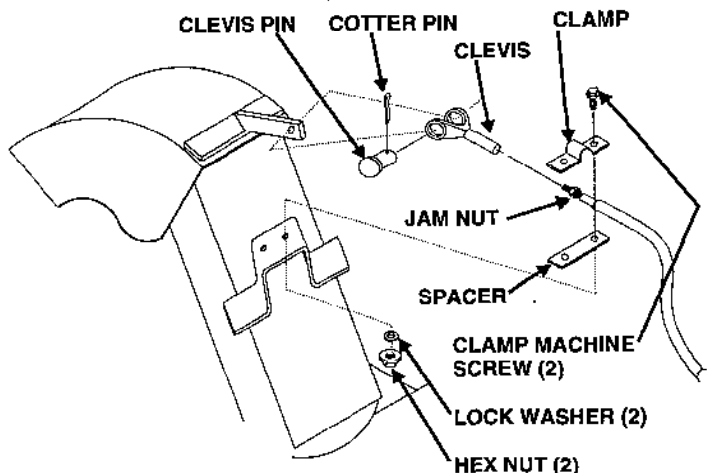
8. Once the cable has been positioned, install it to the bracket and tighten the bottom jam nut on the T-handle.



9. The cable clamp is keyed to fit a groove on the cable. Make sure the clamp and cable are properly aligned before securing the cable to the discharge chute with the spacer, two 10-24 screws, lock washers, and hex nuts.



10. Screw the clevis onto the cable. With the chute held fully down by its springs, and the T-handle of the cable fully in, adjust the position clevis so the clevis pin slips through the hole in the deflector arm.



11. Secure the clevis pin with small cotter pin, and tighten the jam nut against the clevis.

Safety Recommendations

Introduction

1. The snowblower is capable of amputating hands and feet and throwing objects. Failure to observe the following safety instructions could result in serious injury or death.
2. Serious accidents which may cause injury or property damage can occur if the following safety guidelines are not followed. The operator is solely responsible for accidents or hazards that occur when using the snowblower. Preventing accidents is the responsibility of every equipment operator. Accidents can be prevented. Be careful before, during and immediately after use of any powered equipment. The following general safety precautions must be fully understood and followed during operation. Review these instructions frequently and never take chances. If you do not understand any part of this manual or need assistance, contact your authorized, servicing Honda commercial mower dealer.

Training

1. Read, understand and follow all instructions in this manual and on the snowblower before starting. To order a replacement manual, contact an authorized, servicing Honda commercial mower dealer, or Honda Customer Service.
2. Read and understand the mid-sized commercial mower owner's manual.
3. Allow only responsible adults, who are familiar with the instructions, to operate the machine.
4. Know the location of all controls before operating the machine. Know how to stop the engine and attachments quickly in case of emergency. Familiarize yourself with all safety and operation labels on the machine and attachments. If these labels are damaged or not legible, clean or replace them.

Preparation

1. Wear proper clothing when operating the snowblower. Always wear sturdy footwear (preferably steel-toed shoes) and hearing protection during operation.
 - a) Wear heavy, leather gloves whenever working near or servicing any cutting edges on the snowblower.
 - b) Do not wear loose fitting clothing, jewelry, scarves, ties, etc., which may get caught in moving parts. Tie up or restrain long hair.
 - c) Do not operate the snowblower while barefoot.
 - d) Do not wear sandals
 - e) Wear long trousers.
 - f) Wear hearing protection.
 - g) Do not operate the snowblower when tired, ill, or under the influence of alcohol and/or other drugs.
2. Be prepared for an emergency. Keep a first aid kit and fire extinguisher handy. Keep emergency telephone numbers for ambulance, fire, hospital, doctor and rescue near your telephone.

Before Operation

1. Before each use, clear work area of objects such as rocks, toys, wire, sleds, etc., which could be picked up and thrown.
2. Keep the snowblower in safe operating condition. Check the following each time before use:
 - a) All hardware for tightness (refer to the torque table for details).
 - b) Inspect auger and fan blades for wear or damage. Broken pieces thrown from worn or damaged auger or fan can cause serious injury.
 - c) Check for and maintain correct tire pressure. Check tires for cuts or bubbles. Check wheels for damage or for missing hardware. Repair or replace as required.
 - d) Check the engine oil level and add oil as required. If oil level falls below the fill mark, do not run engine.
3. Do not operate the snowblower without safety devices and shields in place and operating properly.
4. The power head is equipped with operator presence levers that shut off the engine unless they are being held down by an operator while the speed control levers are not in neutral, or if the blade control lever is ON. If the interlock system is not working properly, repair it before operating the snowblower.

Correct any malfunction before using this snowblower with the power head.

NOTICE

Do not use tire chains. Using tire chains may damage the hydraulic lines near the tires. Use of the AG (bar-tread) tires is recommended for maximum traction.

Operation

1. When starting the engine:
 - a) Disengage the blade control lever.
 - b) Move the shift levers to NEUTRAL.
2. Always stand behind the power head when operating the snowblower.
3. Keep hands, feet, face, hair and clothing away from rotating parts. Stop engine before unclogging chute.
4. When operating the snowblower:

Disengage the blade control lever, shut off engine, remove the ignition key, and wait for all moving parts to stop before unclogging discharge chute or auger blades.

5. Disengage the blade control lever when transporting, or when the snowblower is not in use.
6. Be aware of snowblower discharge direction and do not point it at anyone. Do not operate without discharge deflector in place.
7. If you strike a foreign object, disengage the blade control lever, shut off the engine, set the parking brake on, and remove the ignition key. Inspect for and repair any damage before operating the equipment again.
8. Never carry passengers. Passengers interfere with safe operation of the snowblower. Passengers could be struck by foreign objects and/or be thrown from the machine and could be severely injured.
9. Be sure the area is clear of other people before operation. Stop the machine if anyone enters the area. Do not operate the machine with children, pets, or other nearby.

10. As a general rule, do not operate the snowblower in reverse. If it is absolutely necessary to back up:
 - a) Disengage the blade control.
 - b) Check the area on the ground directly behind the machine.
 - c) Continue to observe area down and to rear while backing up.
11. Approach blind corners cautiously.
12. Always observe the terrain. Watch for and avoid obstacles. Stay away from holes, ditches, soft or steep embankments and other potentially dangerous terrain.
13. Wet surfaces reduce traction and stability. Always maintain proper traction. Grip the handlebars firmly.
14. Slow down before turning.
15. Watch out for traffic when operating near or crossing roadways.
16. Never leave a running machine unattended. Always disengage the blade control lever, and remove the ignition key before leaving the snowblower.

Children

1. Accidents can occur if the operator is not alert to the presence of children. Children are often attracted to the machine and the snowblowing activity. Never assume that children will remain where you last saw them.
2. Never allow children to operate the machine, even under adult supervision. Local regulations may restrict operator age. Allow only responsible adults, who are familiar with these instructions, to operate this unit.
3. Never carry children as passengers. They may fall off or be seriously injured or interfere with safe machine operation.
4. Keep children out of the work area and under the watchful eye of another responsible adult.
5. Be alert and turn off the machine if children enter the area.
6. Before and when backing, look behind and down for small children.
7. Use extreme care when approaching blind corners, drifts, trees or other objects that may obscure vision.
8. Keep children away while performing maintenance or adjustments.

Stopping

1. Before leaving operator's position or leaving the machine unattended:
 - a) Bring the snowblower to a complete stop.
 - b) Move the blade control lever to OFF.
 - c) Move the speed control levers to NEUTRAL.
 - d) Shut off the engine and remove the ignition key.
 - e) Wait for all moving parts to come to a complete stop.
2. Disengage the blade control lever when transporting the snowblower or if the snowblower is not in use.

Maintenance

1. Before performing any service, adjustments or maintenance on the machine:
 - a) Park the machine on a firm, level surface.
 - b) Move the blade control lever to OFF.
 - c) Move all control levers to NEUTRAL.
 - d) Shut off the engine. Remove the ignition key. Allow the engine to cool.
2. Always wear sturdy footwear (preferably steel-toed shoes), long trousers, hearing and eye protection while performing maintenance on the machine. Do not wear loose fitting clothing, jewelry, scarves, ties, etc., which could get caught in moving parts. Tie up or restrain long hair.
3. Auger and fan blades are extremely sharp. Use caution when servicing. Wear heavy gloves.
4. Keep children away while performing maintenance or adjustments.
5. Keep nuts and bolts tight. Keep equipment in good condition.
6. Never tamper with safety devices. Check their proper operation regularly. Replace or repair as necessary.
7. Keep machine free of dirt and grime. Clean up oil or fuel spillage. Allow machine to cool before storing.
8. Frequently check components and replace when necessary. Use only factory-approved replacement parts. Parts manufactured by others may not be of the same quality.
9. Keep all safety and operation labels in place. If these labels are damaged or not legible, clean or replace them as needed.
10. Chock snowblower wheels (place blocks of wood in front of and behind wheels) when performing maintenance. Securely support unit if it must be raised for any reason.
11. Do not inflate the tires above recommended pressures. Use a clip-on chuck to inflate tires, with an extension long enough for you to stand to one side, and not over or in front of the tire assembly.

Controls

Use this section to familiarize yourself with the various controls and operation of the snowblower. This section covers only items relating to the snowblower itself. Refer to the owners manual for the Honda mid-size commercial mower for instructions in operating the power unit.

Description of Controls

Hydraulic Drive Release

Pull this lever out and rotate it to lock and disengage the hydraulic drive pumps from the engine. This reduces the load on the engine for starting in extremely cold weather.

Chute Rotation Crank

Rotating this crank turns the discharge chute. The discharge chute will rotate a 250 degree arc.

Deflector Control

This determines the angle at which snow is discharged from the chute. The locking T-handle next to the throttle sets the chute at the desired angle. Turn the handle counter-clockwise 1/4 turn to loosen, then pull or push the handle to adjust the deflector angle. Turn the handle clockwise 1/4 turn to lock into position.

Blade Control Lever

Use this lever to engage engine power to the snowblower. Move the lever forward for on, and pull it back for off.

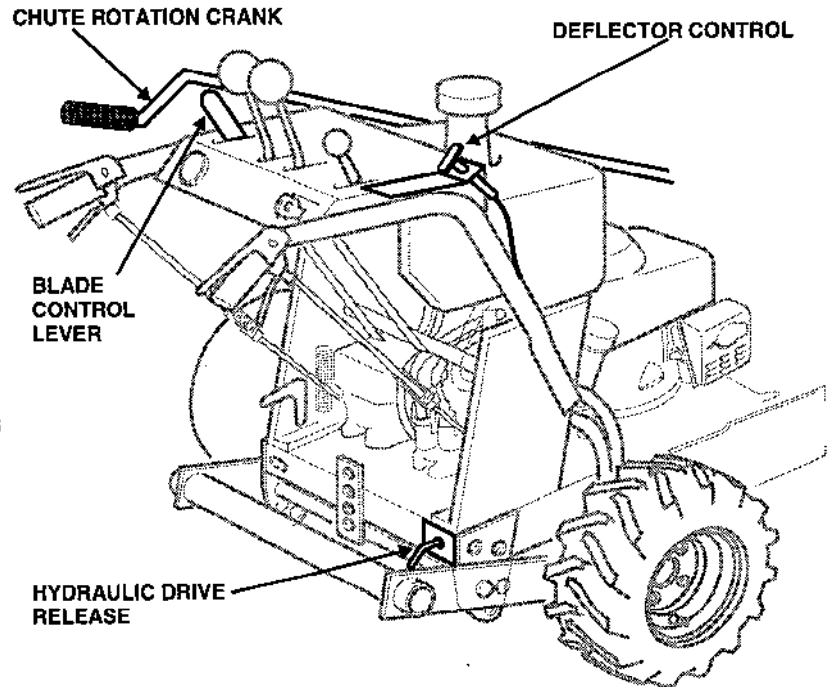
Preparing for Snow Removal

For your safety and the service life of your equipment, always inspect the snowblower before using it. In addition to the inspection areas in the mid-sized commercial mower owner's manual, check the following areas of the snowblower. Before beginning any inspection:

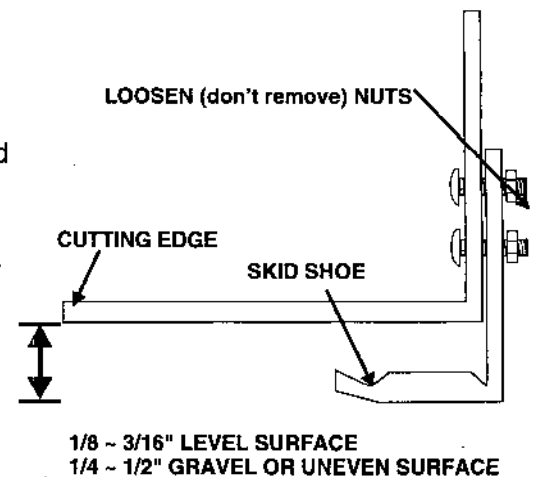
1. Park the unit on a flat, level surface.
2. Disengage the blade control lever and put the forward speed control levers in neutral.
3. Turn the ignition switch off and remove the key.
4. Make sure the auger blades, blower head and discharge chute are free of any debris or objects.
5. Check the shear bolts for tightness.

NOTICE

To prevent damage to the snowblower, never operate the snowblower with a loose or damaged shear bolt. Always use special extended-shoulder shear bolts on the fan assembly and grooved shear bolts on the auger sections.



6. Inspect the position of the two skid shoes and make sure they are properly positioned for conditions. Allow 1/8" to 3/16" clearance between cutting edge and a level paved surface, or 1/4" to 1/2" for an uneven or gravel surface.
7. Verify the tension on the drive belt is correct. See the mid-sized commercial mower owner's manual for details on inspecting and adjusting drive belt tension.
8. If the temperature is extremely cold, it will be easier to start the engine if you disengage the hydraulic drive pumps. Pull the hydraulic release rod out, then rotate it so the square plate holds the rod away from the engine bed.
9. Follow the procedure in the mid-sized commercial owner's manual and start the engine.
10. One the engine has started, pull and turn the hydraulic release rod.



Operating the snowblower

⚠ WARNING

Read the mid-size commercial mower owner's manual carefully. Be thoroughly familiar with the controls and proper use of the power head and snowblower. Know how to stop the snowblower and disengage the controls quickly.

Never allow children to operate the snowblower. Never allow anyone to operate the snowblower without proper instruction.

Do not allow anyone other than the operator on the snowblower.

Keep the area of operation clear of all people and pets.

Clothing worn by the operator should be fairly tight and belted. Loose clothing should not be permitted because of the danger of getting into moving parts.

Tie up or restrain long hair.

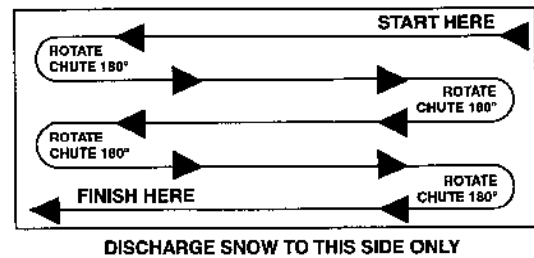
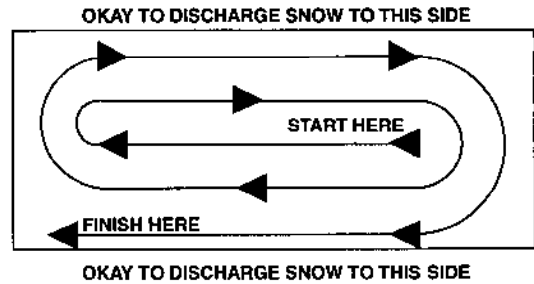
1. Make sure the area is clear of any people and pets.
2. After the engine has warmed, move the throttle to FAST. Verify the blower head is properly positioned, then move the blade control lever to ON.
3. Adjust the ground speed as needed. For best performance, the throttle should always be set to FAST.
4. You can adjust the angle and direction of the discharged snow from the operators position.
5. To adjust the discharge angle, turn the T-handle counter-clockwise to unlock it (1/4 turn). Pull the handle to raise the deflector and push it to lower the deflector. Turn the T-handle clockwise (1/4 turn) to lock the handle.
6. To adjust the discharge direction, rotate the crank handle to turn the discharge chute.

Snow Removal Methods

Use the following patterns to avoid discharging snow in unwanted locations and to also prevent a second pass. For clarity, assume both methods are used on a rectangular area.

If you can discharge snow to both sides, it is best to start in the middle of the rectangle. Operate the snowblower from one end to the other, discharging snow to both sides. This method permits you to leave the discharge chute in the same position.

If you must discharge snow to only one side, start in one corner, then rotate the discharge chute with each pass. This method will require a bit more effort, but the snow will only discharge to one side.



⚠ WARNING

You can be seriously injured by the fan or auger blades.

The blades spin and can cut or amputate your hand or fingers.

Never attempt to clear a clog with your hand; always use a stick at least 36" in length to clear a clogged discharge chute or auger.

When removing snow, do not use the snowblower as a dozer blade to push snow. Let the snowblower work its way through deep drifts. If the travel speed of the snowblower is too fast, the snowblower may become overloaded and clog. If the snow is deep, reduce the ground speed.

Always operate the snowblower with the throttle set to FAST. Using other throttle settings can reduce performance and clog the discharge chute.

Traction

The standard turf tires on the mid-size commercial mower power head extend beyond the width of the snowblower. This can reduce the performance of the snowblower. Narrower, AG (bar-tread) tires are recommended for best performance. Never use tire chains.

Removing and Storing the Snowblower

Refer to the illustrations in the *Installation* section as needed.

Deflector Cable Removal

1. Loosen the deflector cable nut at the operator's end, and remove the cable from the chute control cable bracket.
2. Remove the cotter pin and clevis pin from the clevis. Remove the screws, spacer, washers and nuts from the hold-down clamp. Remove the deflector cable from the snowblower.

Chute Rotator Removal

1. Remove the spring clip and pull the upper crank handle free of the lower crank and crank support.
2. Remove the hook end of the lower crank from the worm gear by pressing in the spring-loaded section.
3. Remove the two 3/8" bolts and flange nuts to remove the crank support.

Snowblower Removal

1. Loosen the top nuts on the engine belt guides, and remove the snow blower belt from the engine pulley.
2. Support the snowblower with a suitable block of wood or other support.
3. Unbolt the snow blower from the power unit and remove the snow blower.
4. Open the pump bypass valves (on hydrostatic drive units) and pull the power head away from the snowblower. Close the pump bypass valves.

Storing the Snow Blower

1. Clean the snow blower thoroughly, and paint any areas where bare metal is showing.
2. Replace any worn or damaged parts.
3. Lubricate the snow blower as described in *Lubrication*.
4. Store in a dry area. Do not cover with a plastic tarp or other material which will trap moisture.

Maintenance & Adjustments

Maintenance Schedule

What	When	Notes
Lubricate chains	Every 2 hours	use chainsaw oil
Apply grease to antifriction ring	Every 25 hours	use general purpose grease
Apply grease to bushings	Every 25 hours	use general purpose grease
Apply grease to worm gear	Every 25 hours	use general purpose grease
Inspect and adjust PTO spring tension	Every 25 hours	adjust tension if needed
Grease fitting on auger	Every 25 hours	use general purpose grease
Gearbox oil	Every 25 hours	use AGMA 5 EP or SAE 90 hypoid gear oil

WARNING

You can be seriously injured by the fan or auger blades.

The blades spin and can cut or amputate your hand or fingers.

Always stop the engine, remove the ignition key, and disconnect the spark plug cap(s) before attempting any maintenance or adjustments.

Adjustments

Skid Shoes

The skid shoes should be adjusted based on the type of ground surface. See page 20 for details on adjusting the skid shoes.

Lubrication

Chain

The chain must be lubricated on a regular basis for proper operation.

1. Always park the snowblower on a flat, level surface, and remove the ignition key before attempting to lubricate the chain.
2. Remove the two belt cover knobs and the belt cover.
3. Apply chain saw oil to the gearbox sprocket, snowblower sprocket and chain. Avoid getting any oil on the belt or pulley.

Discharge Chute & Worm Gear

Apply a liberal amount of general purpose grease to the outer edge of the antifriction ring on the base of the discharge chute. Apply grease to the worm gear and the sector on the discharge chute.

Bushings

Apply a liberal amount of general purpose grease to the insides of the worm gear bushings and the crank handle bushing. Wipe away any excess grease from the outside of each bushing.

Gearbox Oil

The oil level in both the front and rear gearbox must be checked every 25 hours.

Park the snowblower on a flat, level surface.
Remove the belt cover. Locate the oval cutout in either side of the rear gearbox mounting bracket. Remove the oval plug; the oil level should reach the plug hole opening.

For the front gearbox, locate the inspection plug on the front of the gearbox. The oil level should reach the plug hole. Remove the vent plug on the top of the gearbox should oil needed to be added.

Fill both gearboxes with AGMA 5 EP or SAE 90 hypoid gear oil as needed.

Other Maintenance Items

Shear Bolt Replacement

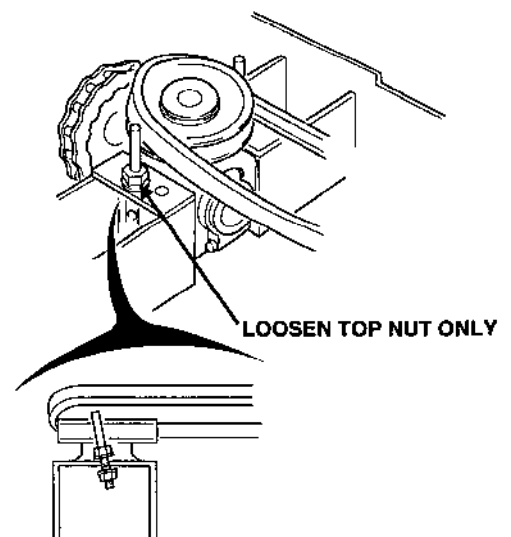
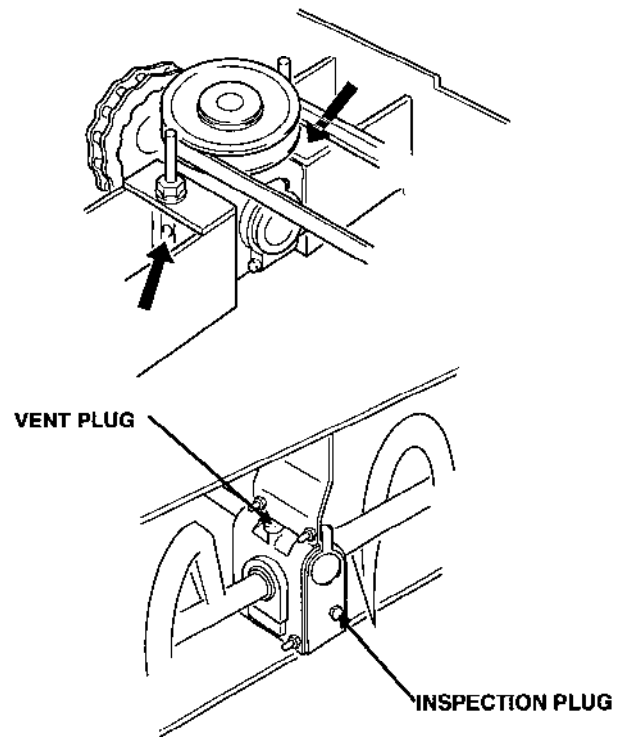
The auger and discharge fan both have special shear bolts that are designed to break if either the auger or fan are put under an excessive load. In the event a shear bolt does break, replace it with an original Honda shear bolt. See the parts listing for the locations of the two shear bolts.

Extra shear bolt hardware is included with the snowblower and may also be purchased from an servicing Honda commercial mower dealer..

Belt Replacement

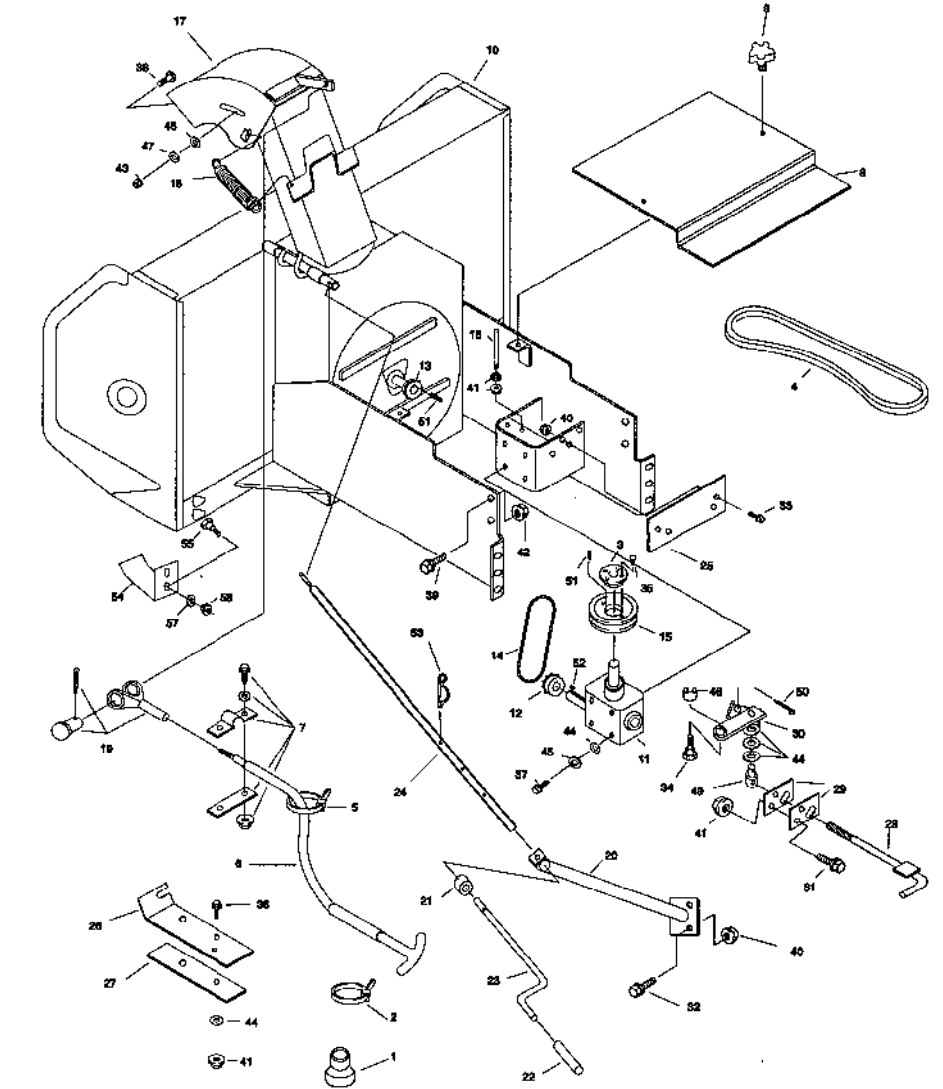
Adjust the belt according to the instructions in the mid-size commercial mower owners manual or shop manual.

To remove the belt from the gearbox pulley, loosen the top nut on the belt guides, and lift the belt off of the pulley.



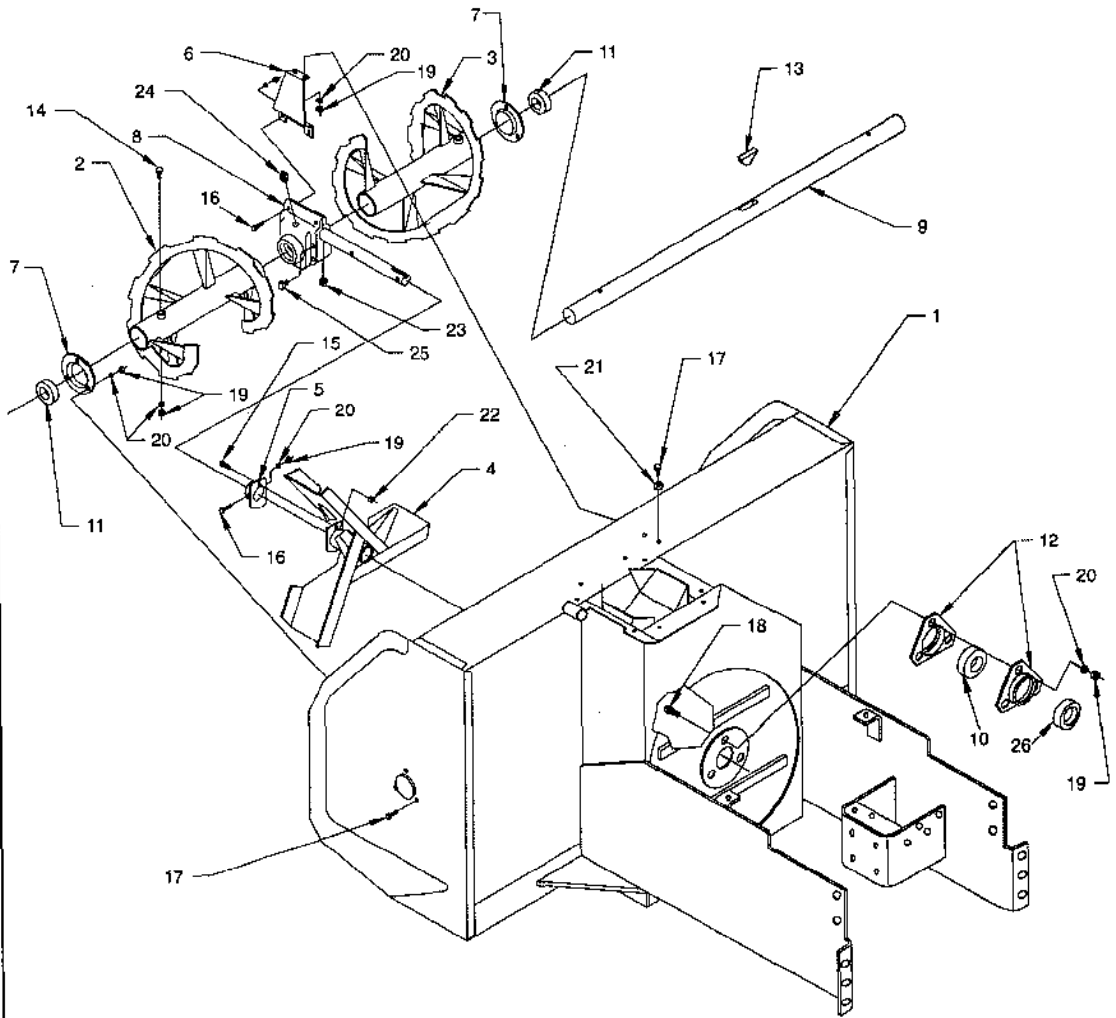
Parts Listing

No.	Description	Qty.
1	COVER, CHOKE	1
2	TIE, CABLE 4'	1
3	BUSHING, SPLIT TAPER (1.0" BORE)	1
4	V-BELT	1
5	TIE	1
6	CABLE ASSY, CHUTE CONTROL	1
7	CLAMP ASSEMBLY	1
8	COVER, BELT	1
9	KNOB, BELT COVER	2
10	SNOW THROWER ASSY, 38"	1
11	GEARBOX	1
12	SPROCKET, 11 TOOTH	1
13	SPROCKET, 32 TOOTH	1
14	CHAIN, 1/2" PITCH	1
15	PULLEY A	1
16	BOLT, HEX 5/16"-18x4"	2
17	CHUTE COMP	1
18	SPRING	2
19	CLEVIS ASSY	1
20	ARM COMP, ROTATOR SUPPORT	1
21	GROMMET	1
22	GRIP	1
23	ROD, EXTENSION	1
24	ROTATOR COMP, EXTENSION	1
25	PLATE, GEARBOX SUPPORT	1
26	BRACKET, CABIN OPERATOR	1
27	SPACER, CABLE OPERATOR	1
28	ROD COMP, PULL	1
29	PLATE, FACE	2
30	PLATE COMP, RELEASE	1
31	BOLT, HEX 5/16"-18 x 1"	2
32	BOLT, HEX 3/8"-16 x 1"	2
33	BOLT, HEX 3/8"-16 x 3/4"	4
34	BOLT, SHOULDER	1
35	BOLT, HEX 1/4"-20 x 3/4"	2
36	BOLT, HEX 5/16"-18 x 2"	2
37	BOLT, HEX 5/16"-18 x 3/4"	8
38	BOLT, CARRIAGE, 5/16"-18" x 1"	2
39	BOLT, HEX FLANGE 1/2"-13 x 1"	8
40		
40	NUT, FLANGE 3/8"-16	6
41	NUT, FLANGE 5/16"-18	8
41	NUT, FLANGE 5/16"-18	2
42	NUT, FLANGE 1/2"-13	8
43	LOCKNUT, HEX 5/16"-18	2
44	WASHER, FLAT 5/16"	11
45	WASHER, LOCK 5/16"	8
46	SPACER, 9/32"	1
47	WASHER, 5/16" PLASTIC	2
48	WASHER, 7/16" PLASTIC	2
49	PIN, PIVOT	1
50	PIN, COTTER 3/32" x 1-3/4"	1
51	KEY, SQUARE 1/4" x 1/4" x 1"	2
52	KEY, SQUARE 3/16" x 3/16" x 3/4"	1
53	HAIRPIN, COTTER 2-15/16"	1
54	SKID SHOE	2
55	5/16 x 1" CARRIAGE BOLT	2
56	3/8" FLAT WASHER	2
57	5/16" FLANGE NUT	2



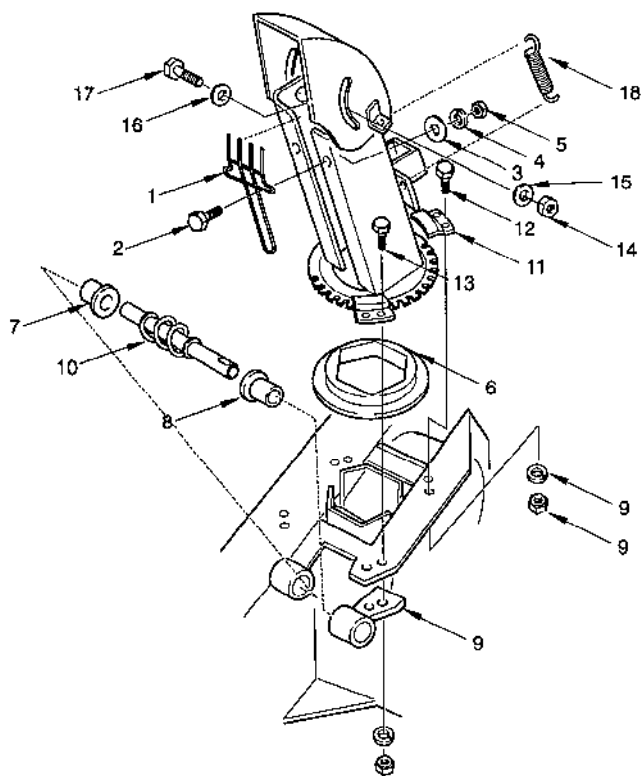
Auger and Fan

1	blower head	1
2	auger blade, left	1
3	auger blade, right	1
4	fan, comp.	1
5	fan shaft support	1
6	gearbox bracket	1
7	bearing support	2
8	front gearbox	1
9	auger shaft	1
10	fan shaft holder	1
11	fan shaft bearing	1
12	bearing support	1
13	woodruff key, 1/4 x 7/8"	1
14	bolt, 5/16 x 2-1/4"	2
15	hex bolt, 1/4 x 1"	1
16	hex bolt, 5/16 x 2"	2
17	hex bolt, 5/16 x 3/4"	8
18	hex bolt, 5/16 x 3/4"	1
19	hex nut, 5/16"	20
20	lock washer, 5/16"	15
21	washer, 3/8"	2
22	hex nut, 5/16"	2
23	plug, drain	1
24	cap, vent	1
25	hex bolt, 5/16 x 2-1/2"	2
26	bearing	1



Discharge Chute

1	hand guard	1
2	1/4 x 3/4" hex bolt	2
3	1/4" flat washer	2
4	1/4" lock washer	2
5	1/4" hex nut	2
6	anti-friction ring	1
7	1-5/16" bushing	1
8	1-11/16" bushing	1
9	bushing support	1
10	rotation worm	1
11	hold down plate	4
12	1/4 x 1/2" hex bolt	6
13	1/4" x 3/4" hex bolt	2
14	self-locking nut	2
15	5/16" nylon washer	2
16	3/8" nylon washer	2
17	hex bolt	2
18	spring	2



Optional Accessories

A number of accessories are available for your snowblower to enhance operation and use.

Headlight Kit

This is a single-lamp light kit that mounts to the crank support rod. The light features an integrated, weather-resistant on/off switch and 50 watt halogen bulb.

Engine Cold Weather Kit

The cold weather kit is a cover for the cooling air intake. It helps the engine maintain proper operating temperature when used in cold weather conditions.

AG Tire Kit

For best traction, use of AG (bar tread) tires are recommended. The AG tire kit includes two bar tread tires and wheels. The standard turf tires extend beyond the width of the snowblower and can reduce performance.

Carburetor Anti-Icing Kit (*HRC7013 models only*)

This special kit is used to prevent the formation of ice on the carburetor linkage.

Warranty Service Information

Honda Power Equipment dealerships are staffed by trained professionals. They should be able to answer any question you may have. If you encounter a problem that your dealer does not solve to your satisfaction, please discuss it with the dealership's management. Almost all problems are solved in this way.

If you are not satisfied with the decision made by the dealership's management, contact Honda Power Equipment Customer Relations Office.

You can write to:

Honda Power Equipment
Customer Relations Office
4475A River Green Parkway
Duluth, Georgia 30136-2565

Or telephone:

(770) 497-6400 weekdays, 8:30 a.m. - 5:00 p.m. EST

When you call or write, please provide us the following information:

- Serial number (snowblower and power head frame)
- Name of the dealer who sold the snowblower to you
- Name and address of the dealer who services your snowblower or commercial mower.
- Date of purchase
- Your name, address, and telephone number
- A detailed description of the problem

Current customer service contact information:

United States, Puerto Rico, and U.S. Virgin Islands:

Honda Power Equipment dealership personnel are trained professionals. They should be able to answer any question you may have. If you encounter a problem that your dealer does not solve to your satisfaction, please discuss it with the dealership's management. The Service Manager or General Manager can help. Almost all problems are solved in this way.

If you are dissatisfied with the decision made by the dealership's management, contact the Honda Power Equipment Customer Relations Office. You can write:

American Honda Motor Co., Inc.
Power Equipment Division
Customer Relations Office
4900 Marconi Drive
Alpharetta, GA 30005-8847

Or telephone: (770) 497-6400 M-F, 8:30 am - 5:00 pm EST

When you write or call, please provide the following information:

- Model and serial numbers
- Name of the dealer who sold the Honda power equipment to you
- Name and address of the dealer who services your equipment
- Date of purchase
- Your name, address, and telephone number
- A detailed description of the problem

H/C: 4926564