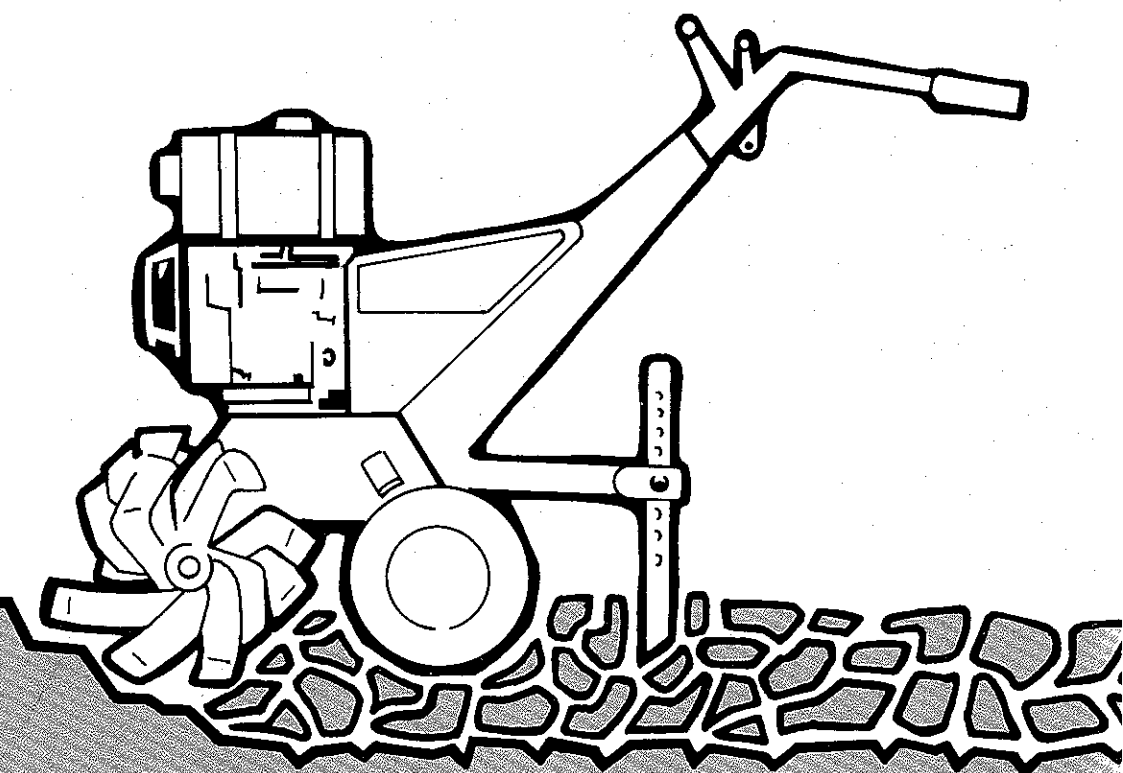


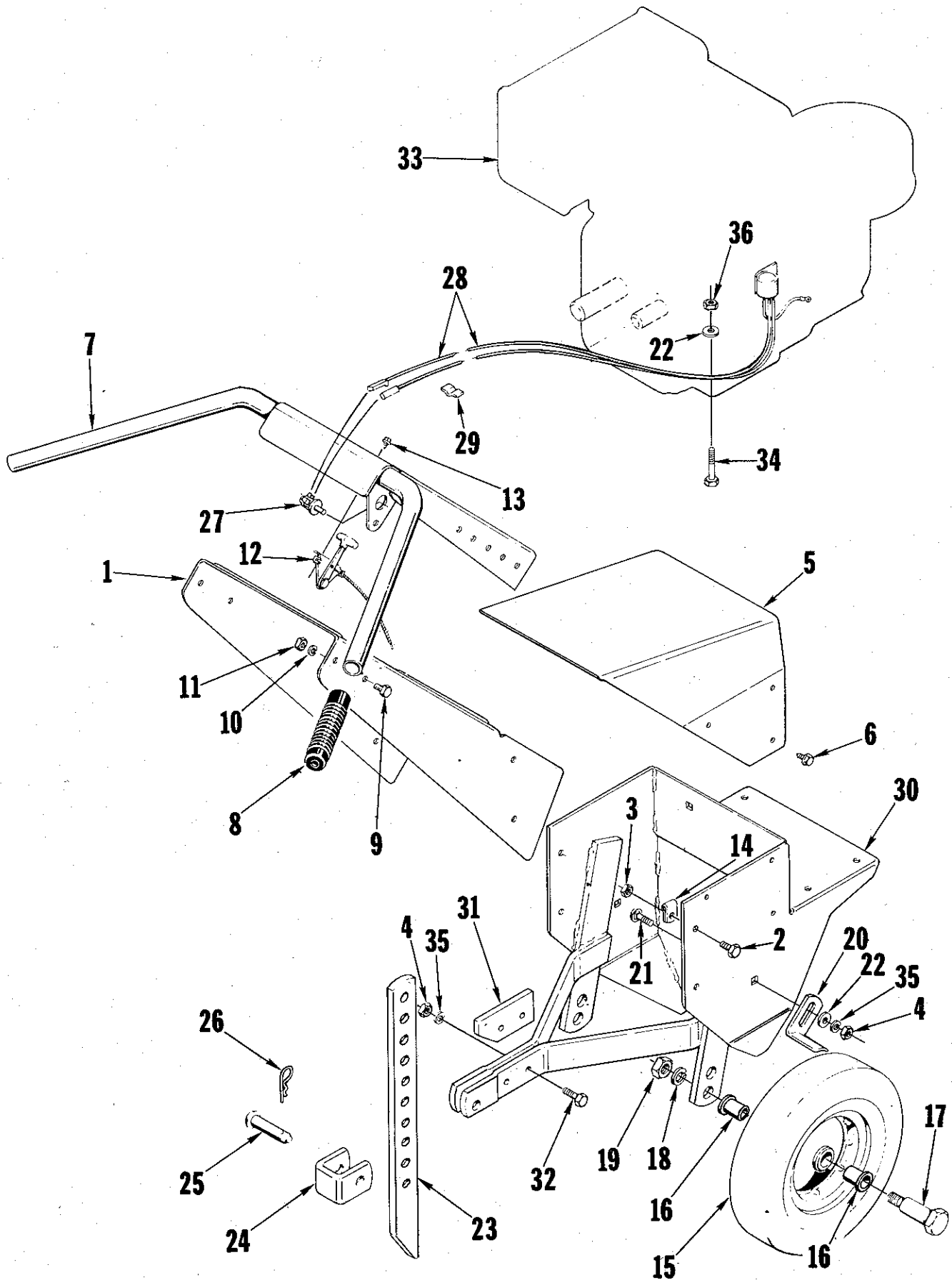
# HOMELITE®

## *R-8 Tiller*



## *Illustrated Parts List*

# Frame and Handles



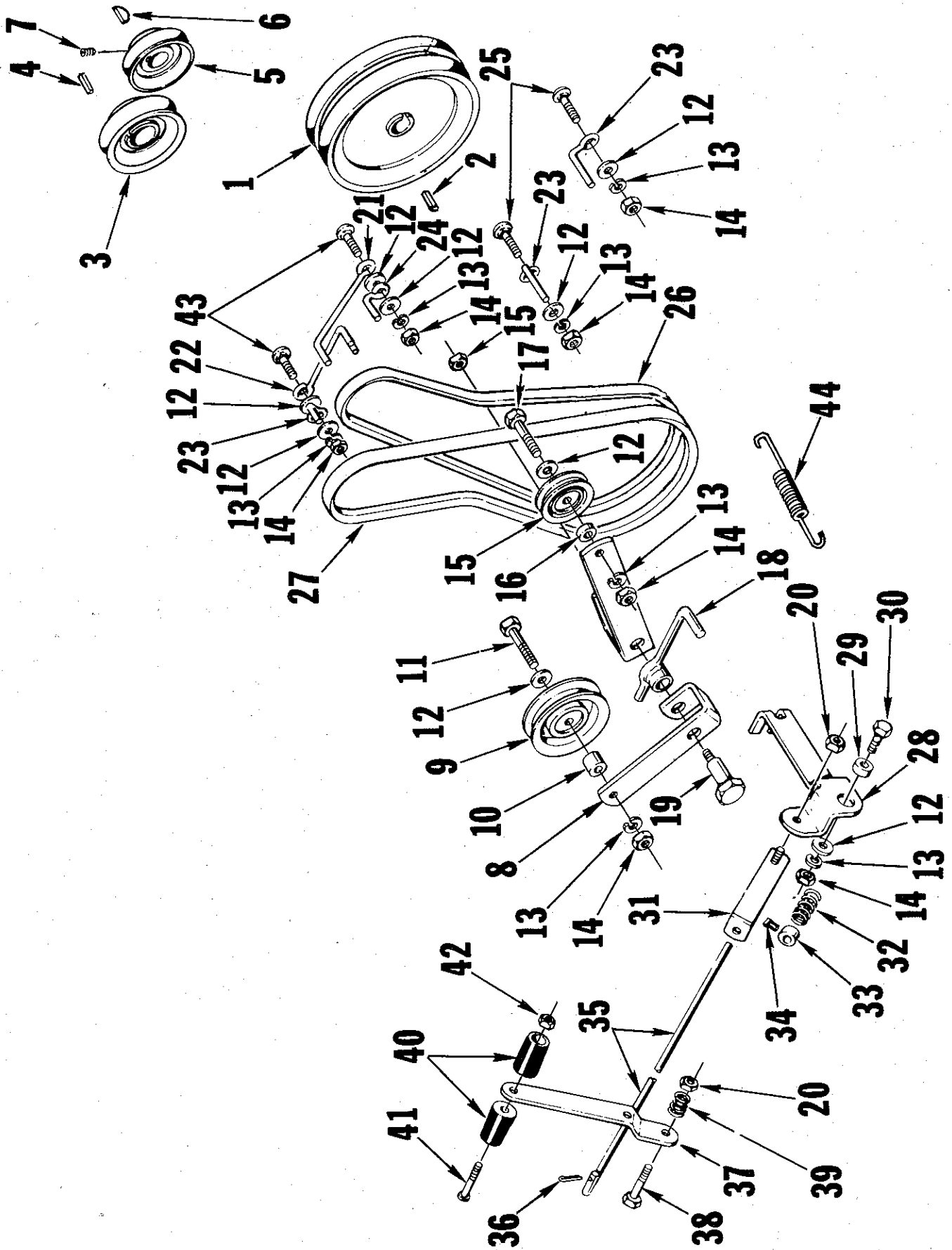
ALWAYS FURNISH MODEL AND SERIAL NUMBER WHEN ORDERING PARTS.

# Frame and Handles

No.	Description	Part No.	Qty.
* 1	CHANNEL-handle bar support	LM-01776-96	1
2	SCREW-hex, lock, cap, 3/8-16 x 1"	LM-09287-28	3
3	NUT-hex, lock, 3/8-16	LM-09283-52	3
4	NUT-hex, full, 3/8-16	LM-09169-50	4
5	COVER	LM-01768-59	1
6	SCREW-hex, 1/4-20 x 3/8"	LM-09290-00	6
* 7	CHANNEL-handle bar	LM-01768-53	1
8	GRIP-handle	LM-01065-58	2
9	SCREW-hex, lock, cap, 5/16-18 x 3/4"	LM-07150-82	4
10	WASHER-lock, 5/16"	LM-09173-56	4
11	NUT-hex, full, 5/16-18	LM-09173-72	4
12	CONTROL-throttle	LM-01764-73	1
13	SCREW-self tapping, 1/4-20 x 1/2"	LM-09231-88	2
*14	CLIP	LM-01765-23	4
*15	WHEEL & TIRE	LM-01771-24	2
	Includes:		
16	BUSHING-wheel	LM-01631-11	4
*17	BOLT-shoulder	LM-01761-96	2
18	WASHER-lock, 1/2"	LM-09164-66	2
19	NUT-hex, full, 1/2-13	LM-09169-51	2
*20	SCRAPER	LM-01763-64	2
21	BOLT-carriage, 3/8-16 x 1"	LM-09222-49	2
22	WASHER-plain, 5/16"	LM-09176-42	6
23	BAR-depth	LM-01180-81	1
*24	CLAMP	LM-01183-71	1
25	PIN-inner	LM-01052-49	1
26	CLIP-spring	LM-81610-45	1
27	SWITCH	LM-01746-95	1
*28	IGNITION-interlock	LM-01771-94	1
29	CLIP-wire	LM-01769-12	1
*30	FRAME ASSEMBLY	LM-01762-24	1
31	PLATE-stop	LM-01182-07	1
32	SCREW-hex cap, 3/8-16 x 1-1/2"	LM-09193-60	2
33	ENGINE - 8 H. P. MODEL #190492	TYPE #0794.01	1
34	SCREW-hex cap, 5/16-18 x 1-3/4"	LM-09173-98	4
35	WASHER-lock, 3/8"	LM-09169-65	4
36	NUT-hex lock, 5/16-18	LM-09290-01	4
*	FILM-cover	LM-01776-33	1
*	FILM-HOMELITE	LM-01776-35	1
*	FILM-R-8	LM-01776-36	1
*	FILM-throttle	LM-01776-34	1
	FILM-tiller clutch	LM-01184-84	1
	FILM-tiller clutch	LM-01184-85	1

\* Denotes new parts

# Clutch and Belts



ALWAYS FURNISH MODEL AND SERIAL NUMBER WHEN ORDERING PARTS.

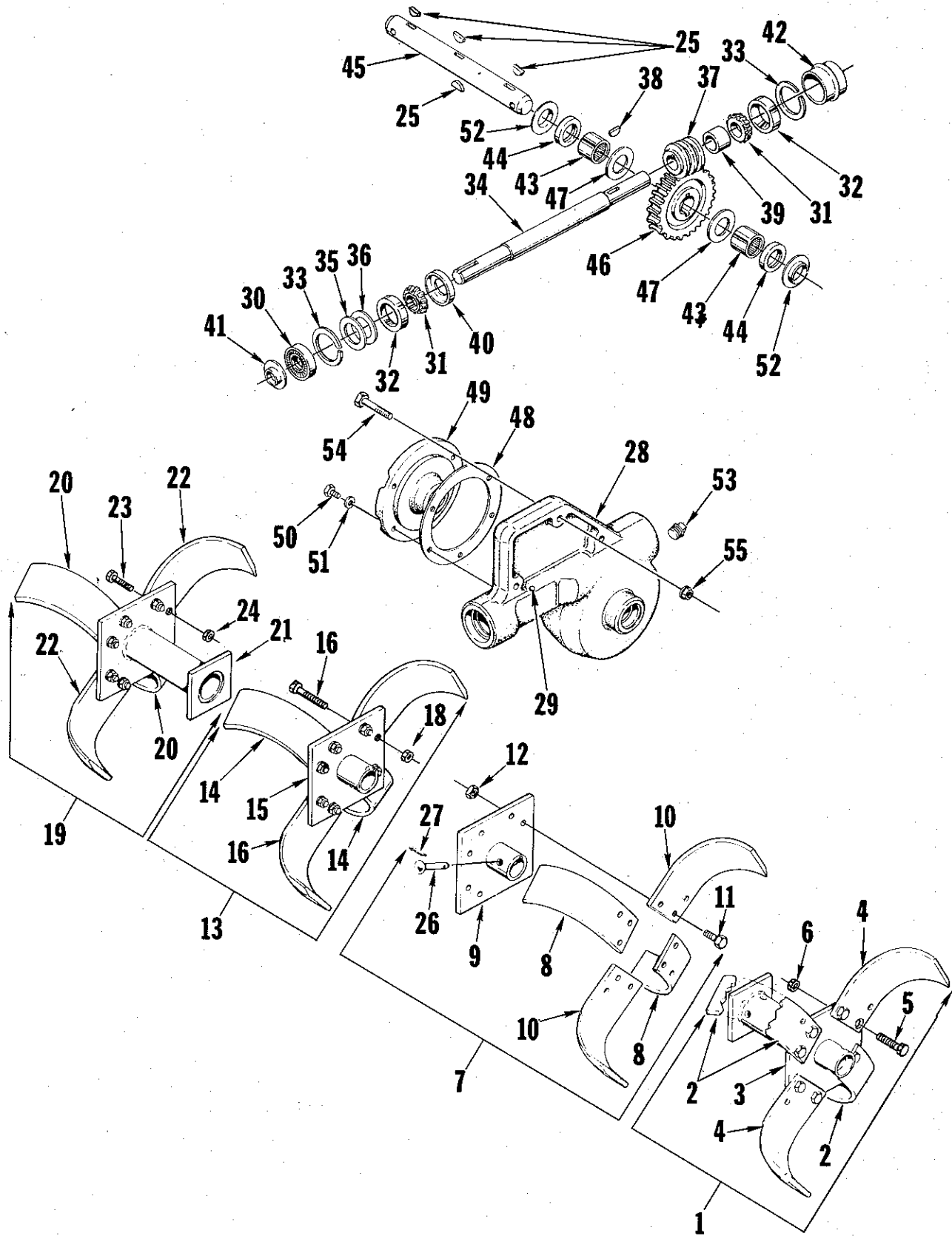
# Clutch and Belts

No.	Description	Part No.	Qty.
* 1	PULLEY-driven	LM-01759-64	1
2	KEY	LM-01184-39	1
* 3	PULLEY-engine	LM-01763-28	1
* 4	KEY	LM-01726-68	1
* 5	PULLEY	LM-01184-58	1
6	KEY #6	LM-09102-24	1
7	SCREW-set, 5/16-18 x 5/16"	LM-09286-91	1
* 8	LEVER-idler	LM-01759-62	2
9	PULLEY-idler	LM-01545-34	1
10	SPACER	LM-01183-35	1
11	SCREW-hex, cap, 3/8-16 x 1-3/4"	LM-09193-61	1
12	WASHER-plain, 5/16"	LM-09176-42	9
13	WASHER-lock, 3/8"	LM-09169-65	7
14	NUT-hex, full, 3/8-16	LM-09169-50	7
*15	PULLEY-idler	LM-01184-14	1
*16	SPACER	LM-01748-70	1
17	SCREW-hex, cap, 3/8-16 x 1-1/2"	LM-09193-60	1
*18	PIVOT ASSEMBLY	LM-01761-92	1
19	BOLT-pivot	LM-01713-37	1
20	NUT-hex, full lock, 5/16-18	LM-09233-62	3
*21	STOP-belt	LM-01210-73	1
22	STOP-belt	LM-01067-07	1
*23	STOP-belt	LM-01063-46	3
24	STOP-belt	LM-01063-47	1
25	BOLT-carriage, 3/8-16 x 1"	LM-09222-49	2
*26	BELT-"V" (reverse)	LM-01769-17	1
*27	BELT-"V" (forward)	LM-01763-93	1
*28	BELL CRANK	LM-01768-69	1
29	SPACER	LM-01530-81	1
30	SCREW-hex, cap, 3/8-16 x 1"	LM-09212-10	1
*31	ROD GUIDE ASSEMBLY	LM-01631-00	1
32	SPRING	LM-81910-45	1
33	COLLAR-set	LM-81910-22	1
34	SCREW-set, 1/4-20 x 3/8"	LM-09038-07	1
*35	ROD	LM-01764-72	1
36	PIN-cotter, 3/32 x 3/4	LM-09184-47	1
37	LEVER	LM-01761-98	1
38	SCREW-hex, cap, 5/16-18 x 1-1/2"	LM-09199-33	1
39	SPRING	LM-01735-75	1
40	HANDLE	LM-01768-92	2
41	SCREW-machine, 1/4-20 x 1-1/2"	LM-07125-01	1
42	NUT-hex, 1/4-20	LM-09233-58	1
*43	BOLT-carriage, 3/8-16 x 1-1/4"	LM-07030-02	2
*44	SPRING-extension	LM-01571-72	1

\* Denotes new parts

ALWAYS FURNISH MODEL AND SERIAL NUMBER WHEN ORDERING PARTS.

# Worm Housing and Tines



ALWAYS FURNISH MODEL AND SERIAL NUMBER WHEN ORDERING PARTS.

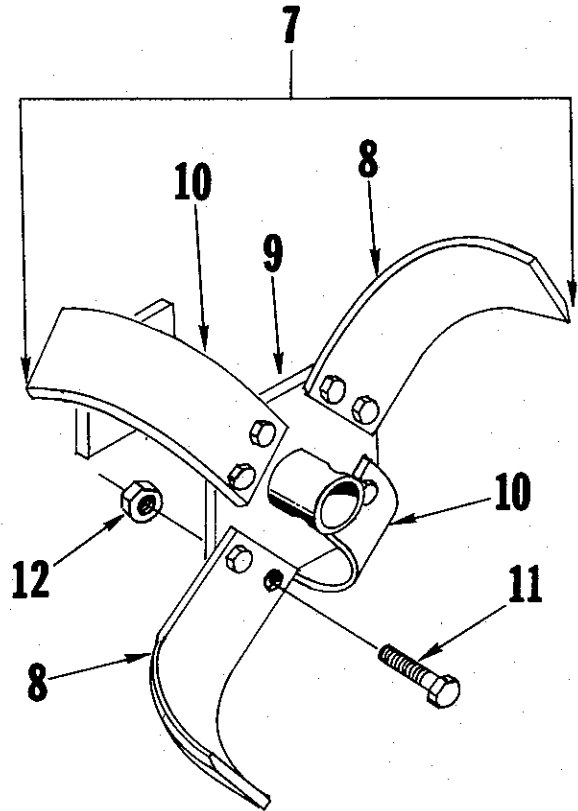
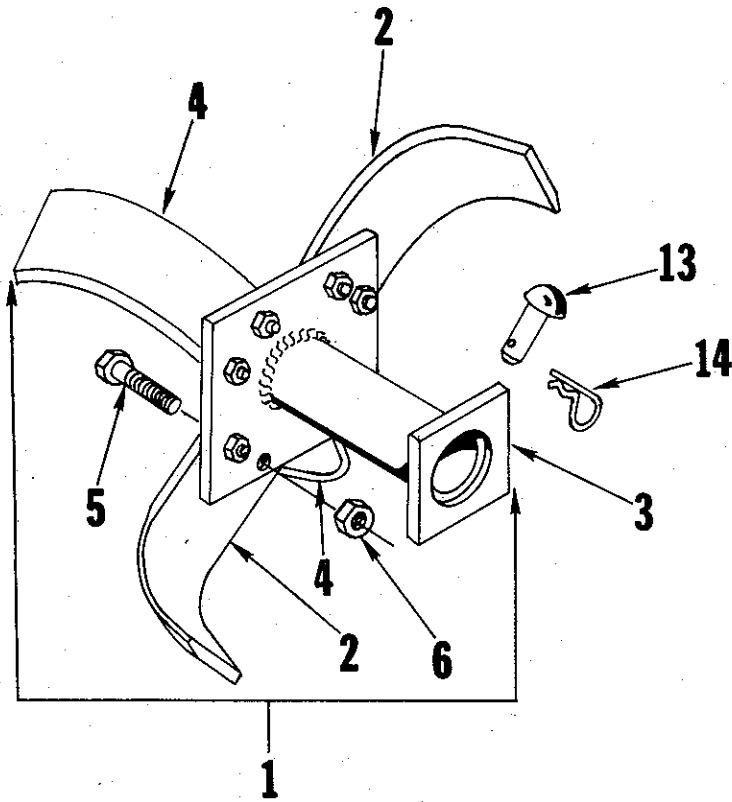
# Worm Housing and Tines

No.	Description	Part No.	Qty.	No.	Description	Part No.	Qty.
* 1	BLADE ASSEMBLY-tine, outer (right hand)	LM-01764-69	1	29	PLUG-vent	LM-01184-62	1
	Includes:			30	SEAL-oil	LM-01183-93	1
* 2	BLADE-tine (left hand)	LM-01725-12	2	31	BEARING-roller	LM-01544-86	2
* 3	PLATE-tine outer	LM-01762-27	1	32	BEARING-cup	LM-01543-93	2
* 4	BLADE-tine (right hand)	LM-01725-11	2	33	RING-snap	LM-01183-96	2
* 5	SCREW-hex cap, 3/8-16 x 1"	LM-07150-38	8	34	SHAFT-worm	LM-01708-88	1
* 6	NUT-hex, 3/8-16	LM-07180-74	8	35	RING-backing	LM-01708-85	1
* 7	BLADE ASSEMBLY-tine, inner (right hand)	LM-01764-67	1	36	RING-backing	LM-01717-62	1
	Includes:			*37	WORM-(right hand)	LM-01760-13	1
* 8	BLADE-tine (left hand)	LM-01725-12	2	38	KEY-hi pro, 3/16 x 7/8	LM-09111-71	1
* 9	PLATE-tine, inner	LM-01762-25	1	39	SPACER	LM-01183-98	1
*10	BLADE-tine (right hand)	LM-01725-11	2	40	CUP	LM-01183-99	1
*11	SCREW-hex cap, 3/8-16 x 1"	LM-07150-38	8	41	SHIELD	LM-01184-00	1
*12	NUT-hex, 3/8-16	LM-07180-74	8	42	CAP-hub	LM-01544-87	1
*13	BLADE ASSEMBLY-tine, inner (left hand)	LM-01764-66	1	43	BEARING-needle	LM-01180-20	2
	Includes:			44	SEAL-oil	LM-01181-18	2
*14	BLADE-tine (left hand)	LM-01725-12	2	*45	SHAFT-worm gear	LM-01767-24	1
*15	PLATE-tine, inner	LM-01762-25	1	*46	GEAR-worm (right hand)	LM-01760-11	1
*16	BLADE-tine (right hand)	LM-01725-11	2	47	WASHER-thrust	LM-01183-15	2
*17	SCREW-hex cap, 3/8-16 x 1"	LM-07150-38	8	*48	GASKET	LM-01758-72	1
*18	NUT-hex, 3/8-16	LM-07180-74	8	*49	COVER	LM-01758-73	1
*19	BLADE ASSEMBLY-tine, outer (left hand)	LM-01764-68	1	50	SCREW-hex cap, 1/4-20 x 5/8"	LM-09219-59	5
	Includes:			51	WASHER-lock, 1/4"	LM-09169-64	5
*20	BLADE-tine (left hand)	LM-01725-12	2	52	SHIELD	LM-01184-03	2
*21	PLATE-tine, outer	LM-01762-27	1	53	PLUG-pipe, 3/8"	LM-09016-53	1
*22	BLADE-tine (right hand)	LM-01725-11	2	54	SCREW-hex cap, 3/8-24 x 1-3/4"	LM-07150-45	3
*23	SCREW-hex cap, 3/8-16 x 1"	LM-07150-38	8	55	NUT-flange	LM-07180-64	3
*24	NUT-hex, 3/8-16	LM-07180-74	8	*	FILM-shift	LM-01776-37	1
25	KEY-woodruff #91	LM-09177-55	4		accessories		
26	PIN	LM-01180-53	2		OIL-worm gear	LM-01749-46	
27	PIN-cotter	LM-09184-51	2		PAINT-white	24765	
*28	HOUSING-worm drive	LM-01758-71	1		PAINT-blue	24764	
					PAINT-black	22772	

\* Denotes new parts

# Tine Extension Kit

No. LM-09909-45



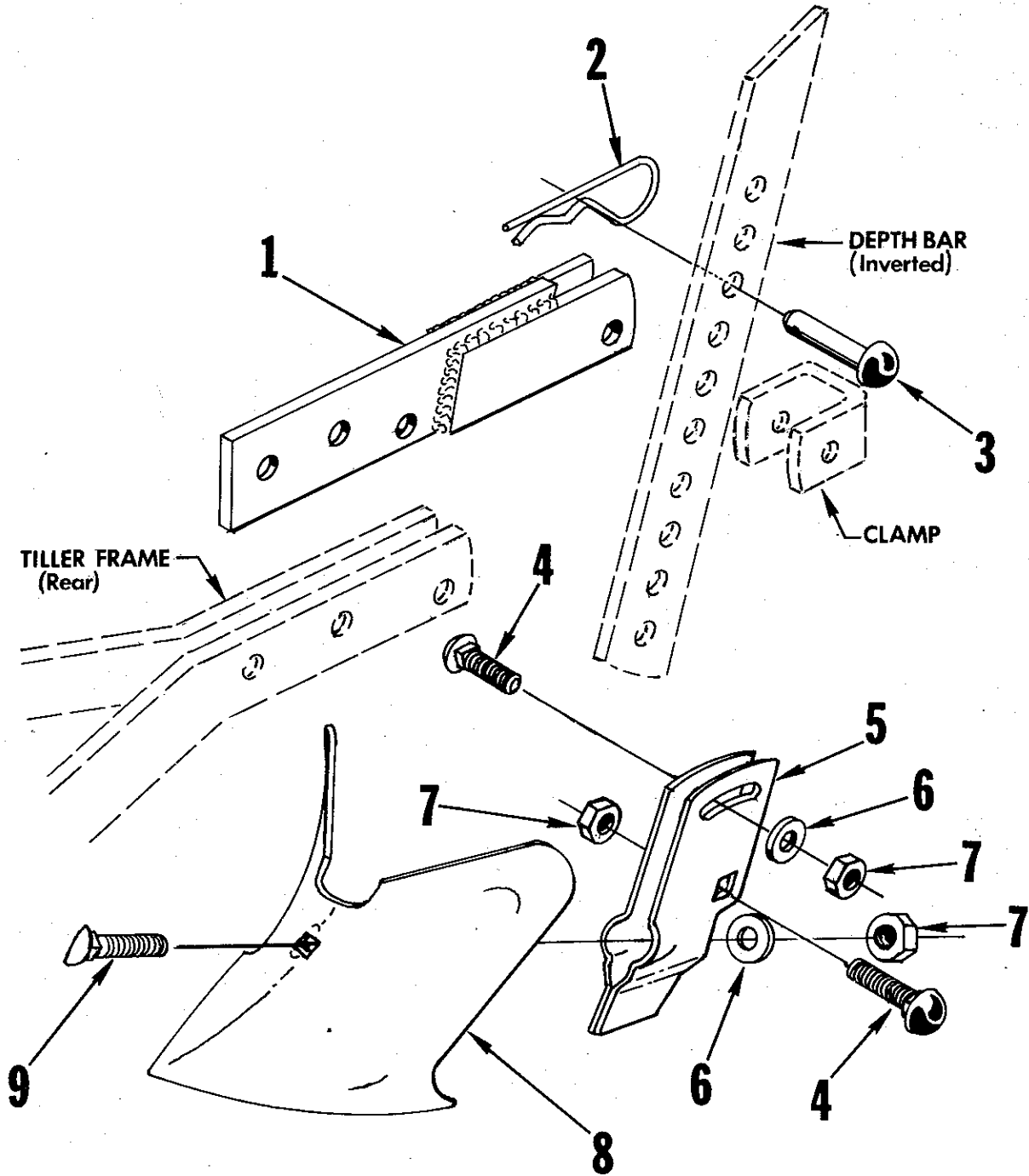
No.	Description	Part No.	Qty.
1	BLADE ASSEMBLY-tine extension (left hand)	LM-01764-68	1
	Includes:		
2	BLADE-tine (right hand)	LM-01725-11	2
3	PLATE ASSEMBLY-tine extension	LM-01762-27	1
4	BLADE-tine (left hand)	LM-01725-12	2
5	SCREW-hex cap, 3/8-16 x 1"	LM-07150-38	8
6	NUT-hex lock, 3/8-16	LM-07180-74	8
7	BLADE ASSEMBLY-tine extension (right hand)	LM-01764-69	1
	Includes:		
8	BLADE-tine (right hand)	LM-01725-11	2
9	PLATE ASSEMBLY-tine extension	LM-01762-27	1
10	BLADE-tine (left hand)	LM-01725-12	2
11	SCREW-hex cap, 3/8-16 x 1"	LM-07150-38	8
12	NUT-hex lock, 3/8-16	LM-07180-74	8
13	PIN	LM-01180-53	2
14	CLIP-spring	LM-81610-45	2

ALWAYS FURNISH MODEL AND SERIAL NUMBER WHEN ORDERING PARTS.



# Furrow Opener

No. LM-09903-40



No.	Description	Part No.	Qty.
1	SUPPORT ASSEMBLY-extension	LM-01182-87	1
2	CLIP-spring	LM-81610-45	1
3	PIN	LM-01180-53	1
4	BOLT-carriage, 3/8-16 x 1-1/4"	LM-07030-02	2
5	TOOL HOLDER ASSEMBLY	LM-82715-03	1
6	WASHER-flat, 3/8"	LM-09173-78	2
7	NUT-hex full, 3/8-16	LM-09169-50	3
8	FURROW OPENER, 8"	LM-01030-10	1
9	BOLT-plow, 3/8-16 x 1-3/4	LM-07040-01	1

ALWAYS FURNISH MODEL AND SERIAL NUMBER WHEN ORDERING PARTS.

# Parts List (numerical order)

Part No.	Description	Qty.	Part No.	Description	Qty.
LM 01030 10	Furrow Opener	1	LM 01631 11	Bushing-wheel	4
*LM 01063 46	Stop-belt	3	LM 01708 85	Ring Backing	1
LM 01063 47	Stop-belt	1	LM 01708 88	Shaft-worm	1
LM 01065 58	Grip-handle	2	LM 01717 62	Ring-backing	1
LM 01067 07	Stop-belt	1	*LM 01725 11	Blade-tine	12
LM 01180 20	Bearing-needle	2	*LM 01725 12	Blade-tine	12
LM 01180 81	Bar-depth	1	*LM 01726 68	Key	1
LM 01181 18	Seal-oil	2	LM 01735 75	Spring	1
LM 01182 07	Plate-stop	1	LM 01746 95	Switch	1
LM 01182 87	Support Assembly	1	*LM 01748 70	Spacer	1
LM 01183 35	Spacer	1	LM 01749 46	Oil-worm gear	1
*LM 01183 71	Clamp	1	*LM 01758 71	Housing	1
LM 01183 93	Seal-oil	1	*LM 01758 72	Gasket	1
LM 01183 96	Ring-snap	2	*LM 01758 73	Cover	1
LM 01183 98	Spacer	1	*LM 01759 62	Lever-idler	2
LM 01183 99	Cup	1	*LM 01759 64	Pulley-driven	1
LM 01184 00	Shield	1	*LM 01760 11	Gear-worm	1
LM 01184 03	Shield	2	*LM 01760 13	Worm	1
*LM 01184 14	Pulley-idler	1	*LM 01761 92	Pivot Assembly	1
LM 01184 39	Key	1	LM 01761 98	Lever	1
*LM 01184 58	Pulley	1	*LM 01762 24	Frame Assembly	1
LM 01184 62	Plug-vent	1	*LM 01762 25	Plate-tine	1
LM 01184 84	Film-tiller	1	*LM 01762 27	Plate-tine	4
LM 01184 85	Film-tiller	1	*LM 01763 28	Pulley-engine	1
*LM 01210 73	Stop-belt	1	*LM 01763 64	Scraper	2
LM 01530 81	Spacer	1	*LM 01763 93	Belt-"V"	1
LM 01543 93	Bearing-cup	2	*LM 01764 66	Blade Assembly	1
LM 01544 86	Bearing-roller	2	*LM 01764 67	Blade Assembly	1
LM 01544 87	Cap-hub	1	*LM 01764 68	Blade Assembly	2
LM 01545 34	Pulley-idler	1	*LM 01764 69	Blade Assembly	2
*LM 01571 72	Spring-extension	1	*LM 01764 72	Rod	1
*LM 01631 00	Rod Guide	1	LM 01764 73	Control-throttle	1

# Parts List (numerical order)

Part No.	Description	Qty.	Part No.	Description	Qty.
*LM 01765 23	Clip	4	LM 07040 01	Bolt-plow	1
*LM 01767 24	Shaft-worm	1	LM 07125 01	1/4-20 x 1-1/2	1
*LM 01768 53	Channel	1	*LM 07150 38	3/8-16 x 1	40
LM 01768 59	Cover	1	LM 07150 45	3/8-24 x 1	3
*LM 01768 69	Bell Crank	1	LM 07150 82	5/16-18 x 3/4	4
LM 01768 92	Handle	2	LM 07180 64	Nut-flange	3
LM 01769 12	Clip-wire	1	*LM 07180 74	Nut-3/8-16	48
*LM 01769 17	Belt-"V"	1	LM 09038 07	1/4-20 x 3/8	1
*LM 01771 24	Wheel & Tire	2	LM 09164 66	Washer-1/2	2
*LM 01771 94	Ignition	1	LM 09169 50	Nut-3/8-16	14
*LM 01776 33	Film-cover	1	LM 09169 51	Nut-1/3-13	2
*LM 01776 34	Film-throttle	1	LM 09169 65	Washer-3/8	11
*LM 01776 35	Film-HOMELITE	1	LM 09173 56	Washer-5/16	4
*LM 01776 36	Film-R-8	1	LM 09173 72	Nut-5/16-18	4
*LM 01776 37	Film-shift	1	LM 09173 78	Washer-3/8	2
*LM 01776 96	Channel	1	LM 09173 98	5/16-18 x 1-3/4	4
LM 09016 53	Plug-pipe	1	LM 09176 42	Washer-5/16	15
LM 09102 24	Key	1	LM 09184 47	Pin-cotter	1
LM 09111 71	Key	1	LM 09184 51	Pin-cotter	2
LM 09177 55	Key	4	LM 09193 60	3/8-16 x 1-1/2	4
LM 81610 45	Clip-spring	4	LM 09193 61	3/8-16 x 1-3/4	1
LM 81910 22	Collar-set	1	LM 09199 33	5/16-18 x 1-1/2	1
LM 81910 45	Spring	1	LM 09212 10	3/8-16 x 1	1
LM 82715 03	Tool Holder	1	LM 09219 59	Screw-cap, hex	10
FASTENING PARTS			LM 09222 49	Bolt-3/8-16 x 1	4
LM 01052 49	Pin-inner	1	LM 09231 88	1/4-20 x 1/2	2
LM 01180 53	Pin	5	LM 09233 58	Nut-1/4-20	1
LM 01183 15	Washer-thrust	2	LM 09233 62	Nut-5/16-18	3
LM 01713 37	Bolt-pivot	1	LM 09283 52	Nut-flange	3
*LM 01750 38	3/8-16 x 1	8	LM 09286 91	Screw-set cap	1
*LM 01761 96	Bolt-shoulder	2	LM 09287 28	3/8-16 x 1	3
*LM 07030 02	Bolt-carriage	4	LM 09290 00	1/4-20 x 3/8	6
			LM 09290 01	Nut-5/16-18	4



A **Textron**  
DIVISION

PRINTED in U. S. A.

PORT CHESTER, NEW YORK, U.S.A. 10573

E1372HEC