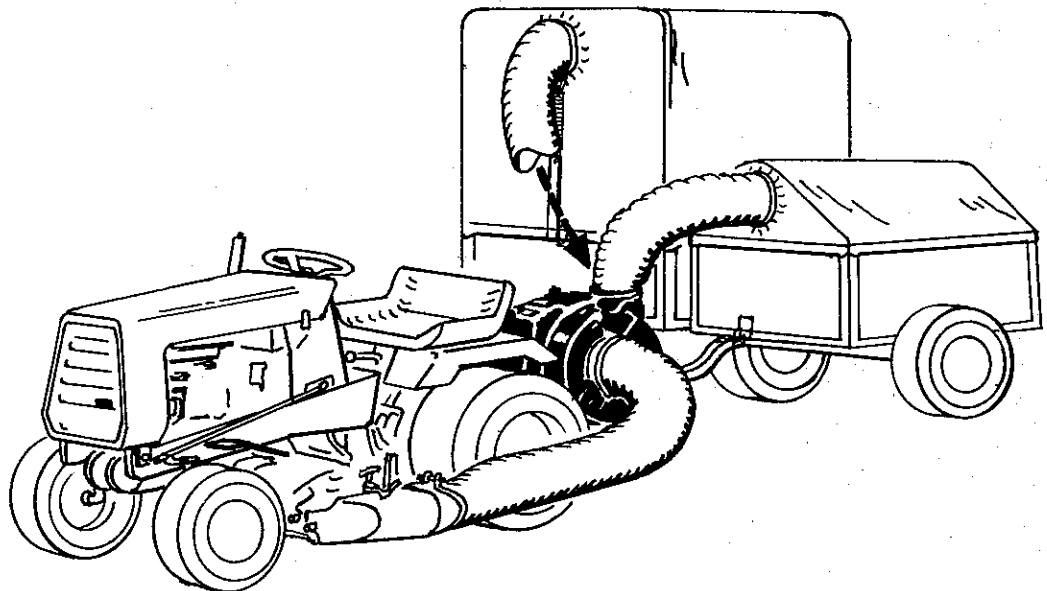


Mfr's No.288

HOMELITE®

Engine Driven Vacuum Collector
for T-7 & T-8 Tractors

No. LM-16002-88



Assembly Instructions and Parts List

Vacuum Collector Adapter	No. LM-16001-31
High Capacity Trailer Frame and Cover	No. LM-09905-31
Low Profile Trailer Frame and Cover	No. LM-09906-24
Roving Nozzle	No. LM-09904-47

Safety

- Know the controls and how to stop quickly-READ THE OWNER'S MANUAL.
- Do not allow children to operate vehicle. Do not allow adults to operate it without proper instruction.
- Do not carry passengers. Keep children and pets a safe distance away.
- Clear work area of objects which might be picked up and thrown.
- Disengage all attachment clutches and shift into neutral before attempting to start engine (motor).
- Disengage power to attachments and stop engine (motor) before leaving operator position.
- Disengage power to attachment(s) and stop engine (motor) before making any repairs or adjustments.
- Disengage power to attachments when transporting or not in use.
- Take all possible precautions when leaving vehicle unattended; such as disengaging power-take-off, lowering attachments, shifting into neutral, setting parking brake, stopping engine and removing key.
- Do not stop or start suddenly when going uphill or downhill. Mow up and down the face of steep slopes; never across the face.
- Reduce speed on slopes and in sharp turns to prevent tipping or loss of control. Exercise extreme caution when changing direction on slopes.
- Stay alert for holes in terrain and other hidden hazards.
- Use care when pulling loads or using heavy equipment.
 - A. Use only approved drawbar hitch points.
 - B. Limit loads to those you can safely control.
 - C. Do not turn sharply. Use care when backing.
 - D. Use counterweight(s) or wheel weights when suggested in owner's manual.
- Watch out for traffic when crossing or near roadways.
- When using any attachments never direct discharge of material toward bystanders nor allow anyone near vehicle while in operation.
- Handle gasoline with care -- it is highly flammable.
 - A. Use approved gasoline container.
 - B. Never remove cap or add gasoline to a running or hot engine or fill fuel tank indoors. Wipe up spilled gasoline.
 - C. Open doors if engine is run in garage -- exhaust fumes are dangerous. Do not run engine (motor) indoors.
- Keep vehicle and attachments in good operating condition and keep safety devices in place.
- Keep all nuts, bolts, and screws tight to be sure equipment is in safe working condition.
- Never store equipment with gasoline in the tank inside a building where fumes may reach an open flame or spark.
- Allow engine to cool before storing in any enclosure.
- To reduce fire hazard keep engine free of grass, leaves or excessive grease.
- Vehicle and attachment should be stopped and inspected for damage after striking a foreign object and the damage should be repaired before restarting and operating the equipment.
- Do not change engine governor settings or overspeed engine.
- When using vehicle with mower:
 - (1) Mow only in daylight or in good artificial light.
 - (2) Never make a cutting height adjustment while engine (motor) is running if operator must dismount to do so.
 - (3) Shut engine (motor) off when removing grass catcher and/or unclogging chute.
 - (4) Check blade mounting bolts for proper tightness at frequent intervals.
- Check grass catcher bags frequently for wear or deterioration. Replace with new bags for safety protection.

HOMELITE®

Textron
DIVISION

PORT CHESTER, NEW YORK, U.S.A. 10573

WARRANTY

We warrant this HOMELITE product to be free from defects in material or workmanship under normal use and service, except that we make no warranty, express or implied, with respect to tires, engines, generators or voltage regulators (which usually are warranted by their respective manufacturers) nor with respect to any unit which after sale by HOMELITE has been altered in any way without HOMELITE'S express consent. Our obligation under this warranty is limited to replacing, without charge any part which is proven defective within one year (30 days if the unit is used for commercial, rental or municipal purposes) from date of purchase, if returned to us, with transportation charges prepaid, at a HOMELITE branch office or to a dealer whom we have authorized to make the replacement.

THIS WARRANTY IS IN LIEU OF ALL OTHER WARRANTIES, EXPRESS OR IMPLIED, OF MERCHANTABILITY, FITNESS FOR A PARTICULAR PURPOSE, PERFORMANCE OR OTHERWISE AND IN NO EVENT SHALL HOMELITE BE LIABLE FOR ANY INCIDENTAL, SPECIAL OR CONSEQUENTIAL DAMAGES.

HOMELITE
a division of Textron Inc.

HOMELITE® Engine Driven Vacuum Collector

The HOMELITE engine driven vacuum collector is equipped with a four H.P. Briggs and Stratton engine, model #100212, type #0382-01 and does not require power from the tractor itself. The unit does however, require three (see note) accessories for its operation. These are 1) a HOMELITE vacuum collector adapter, 2) a HOMELITE dump cart and 3) either one of two available cart covers. Not required, but available as an option, is a roving nozzle for the vacuum collector. The assembly instructions and parts lists for the adapter, both of the cart covers and the roving nozzle are contained in this book. The instructions and parts list for the dump cart will be found packaged with the cart.

NOTE: 1973 units, Product No. 288 will have the vacuum collector adapter packaged with the vacuum collector and will therefore require only two accessories.

Assembly

Mounting the vacuum collector.

1. Mount the frame assembly to the tractor hitch bracket. Hook the lower members of the frame assembly over the lugs on the tractor hitch bracket first, then position the frame assembly so that the pin will slide through the holes in the seatdeck braces and the sleeve on the upper plate of the frame assembly. Secure the pin with a quick pin through each end (Figure 1).
2. Attach the deflector to the top of the blower housing with two 3/8" self tapping screws (Figure 2).
3. Place 6" diameter hose over deflector and blower assembly and secure with a hose clamp using one 1/4-20 x 3" machine screw, lockwasher and hex nut (Figure 2).

4. Mount one end of the 7" hose to the hose flange with a hose clamp and one 1/4-20 x 3" machine screw, lockwasher and hex nut.
5. Slide hose flange into blower housing slots (Figure 2).

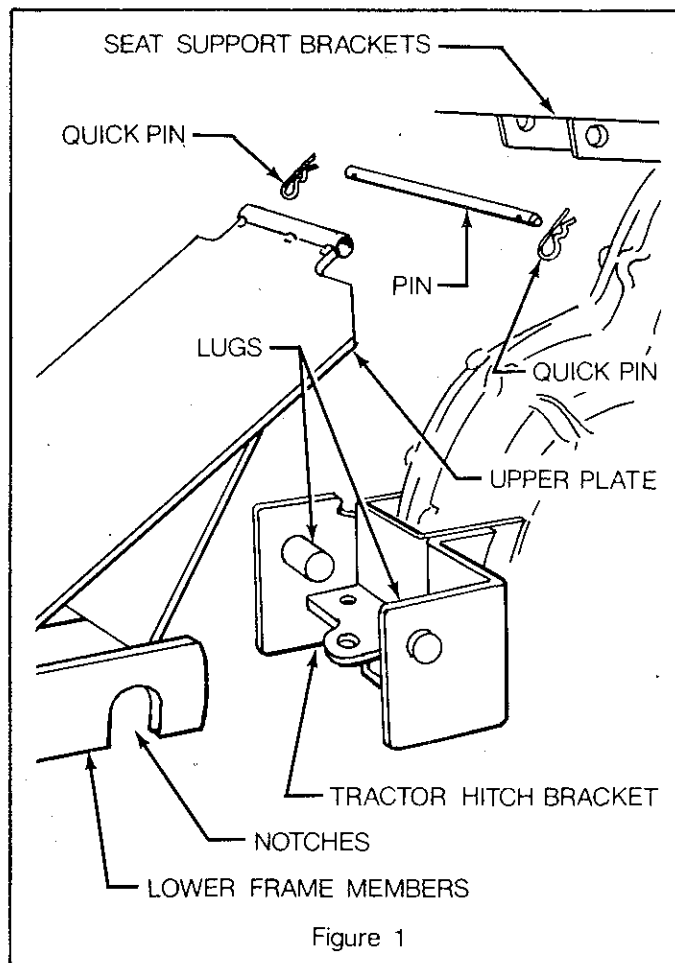


Figure 1

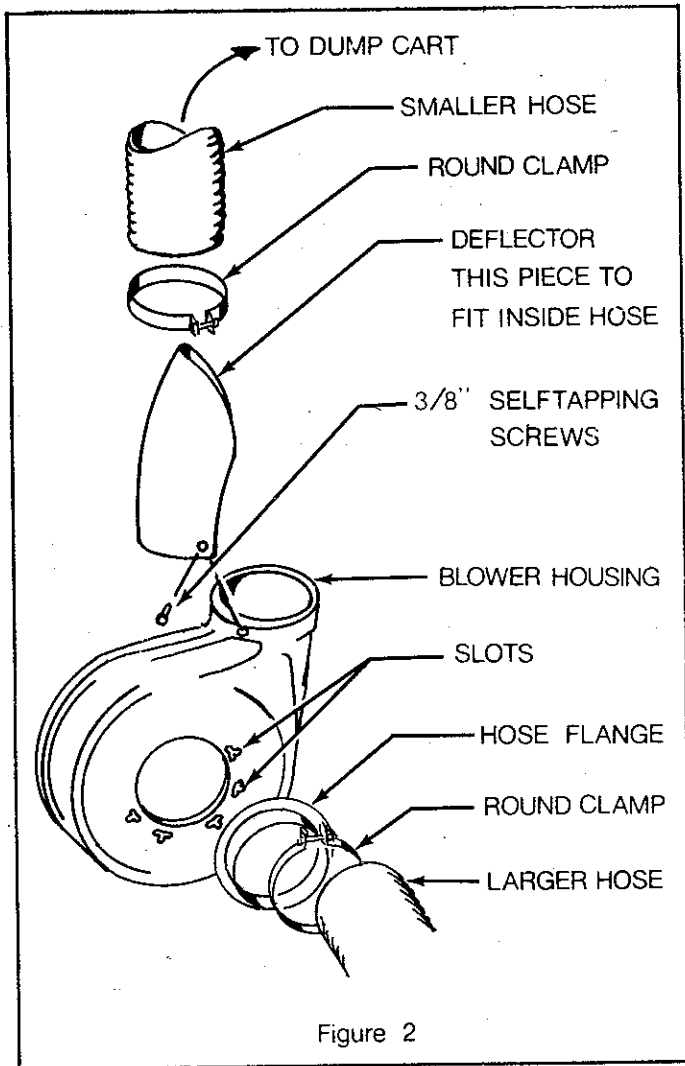


Figure 2

Mounting the vacuum collector adapter.

The HOMELITE vacuum collector adapter fits both the 32" and 36" mower. A closure plate is provided for use with the 32" mower. The plate mounts to the back edge of the adapter housing using two 1/4-20 x 1/2" cap screws, lockwashers and hex nuts (Figure 3). Follow the instructions under A. on 1972 model 32" mowers, Product No. 126 and 36" mowers Product No. 127. Follow the instructions under B. on 1973 model 32" mowers Product No. 278 and 36" mowers Product No. 279.

A — Mowers, 32" Product No. 126 and 36" Product No. 127

1. Raise the mower to full height and install the two 5/16-18 x 1" carriage bolts through the mower deck from underneath. Secure with two 5/16-18 hex nuts and lockwashers (Figure 4).
2. Insert the pin on the rear inside of the adapter housing through the hole in the rear of the mower deck (Figures 3 and 4). Slide the adapter housing onto the mower deck so that the two large holes in the top of the adapter housing locate on the carriage bolts. Secure the adapter housing with the two 5/16-18 nut assemblies (wing nuts). (Figure 4.)
3. Connect 7" hose to adapter outlet with a hose clamp and

one 1/4-20 x 3" machine screw, lockwasher and hex nut.

B — Mowers, 32" Product No. 278 and 36" Product No. 279

1. Raise mower to full height and remove the two carriage bolts that hold the mower deflector in the down position. Lift the deflector to a vertical position (Figure 4). Install two 5/16-18 x 1" carriage bolts through the mower deck from underneath. Secure with two 5/16-18 hex nuts and lockwashers.

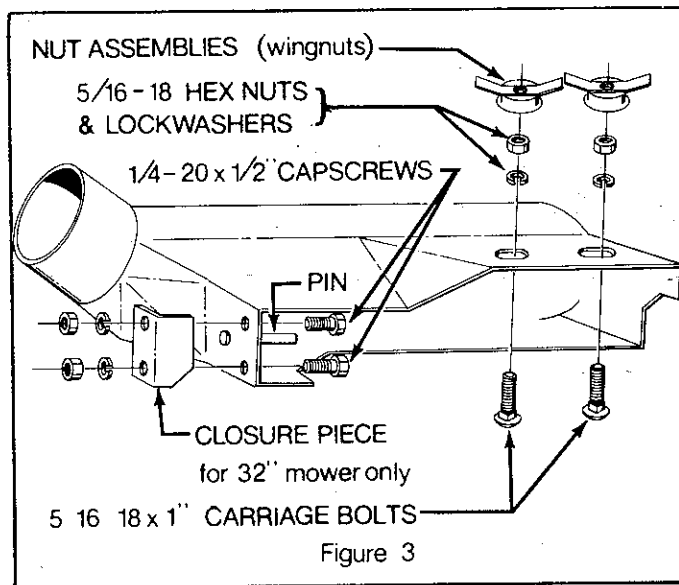


Figure 3

2. Insert the pin on the rear inside of the adapter housing through the hole in the rear of the mower deck (Figures 3 and 4). Slide the adapter housing onto the mower deck so that the two large holes in the top of the adapter housing locate on the carriage bolts. Secure the adapter housing with the two 5/16-18 nut assemblies (wing nuts). (Figure 4.)

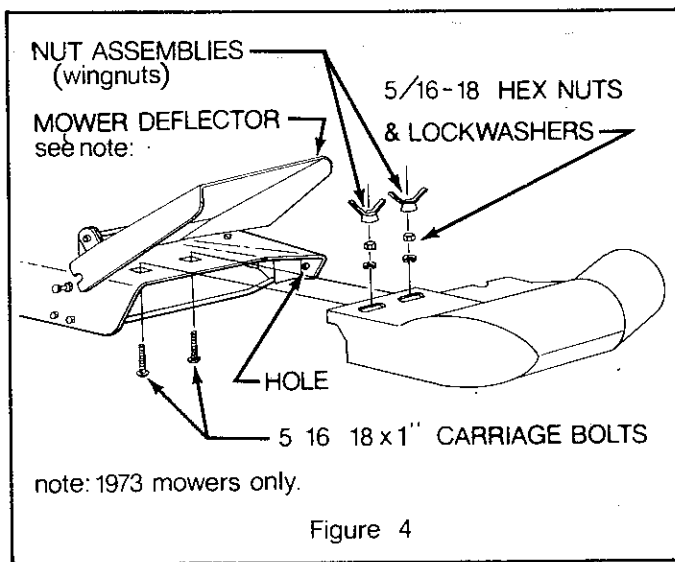


Figure 4

3. Fold the mower deflector down so that it covers the adapter housing.
4. Connect 7" hose to adapter outlet with a hose clamp and one 1/4-20 x 3" machine screw, lockwasher and hex nut.

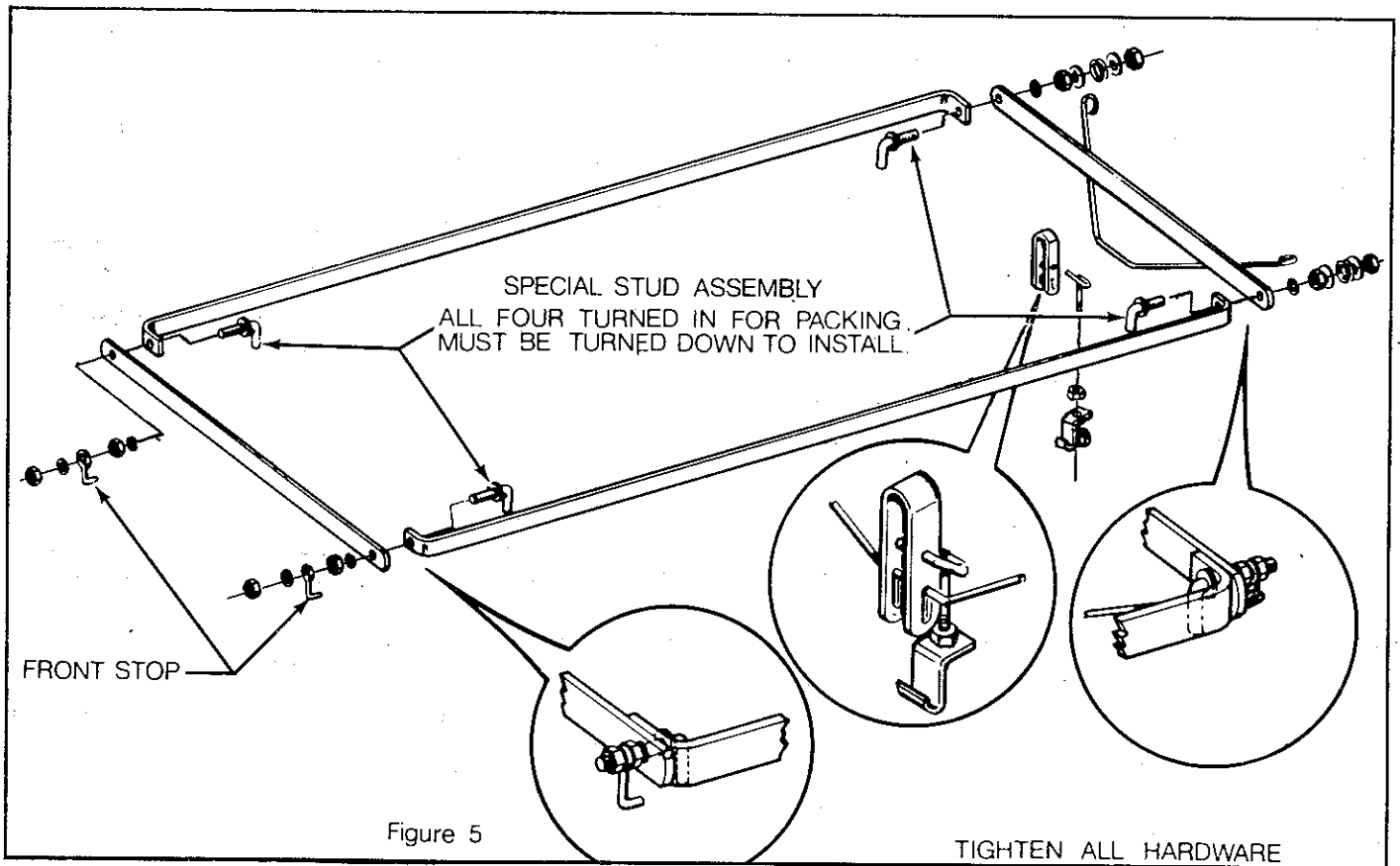


Figure 5

Mounting the low profile and the high capacity trailer frames and covers.

There are two covers available for the HOMELITE dump cart for use with the HOMELITE vacuum collector system. These are the low profile trailer frame and cover and the high capacity trailer frame and cover. Both covers come preassembled to their frames.

The low profile trailer frame and cover is assembled as follows:

1. Install the front stops on the cover front frame (the end with the hose sleeve). The special studs are inserted from the inside (Figure 5).

2. Lay the assembly on the cart with the canvas side flaps inside the cart. Engage the front stops over the box front edge, then pull the rear latch down and hook it under the box rear edge (Figure 6).

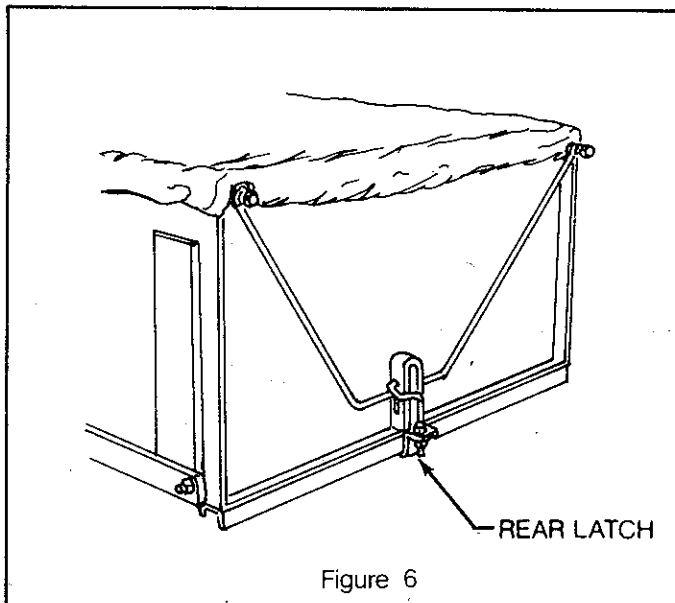


Figure 6

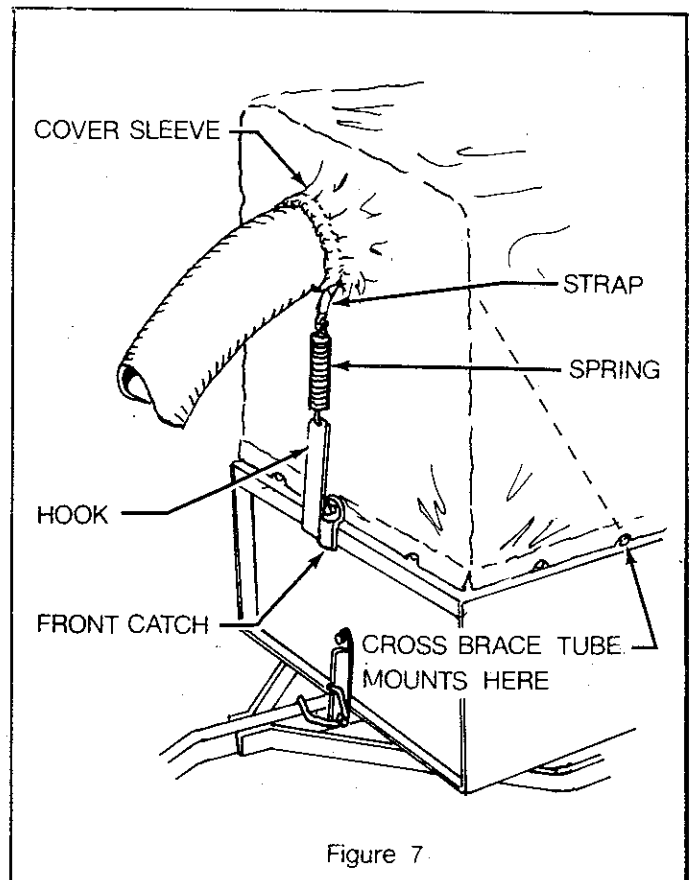


Figure 7

3. Place the 6" diameter hose in the cover sleeve and secure by tightening the strap in the sleeve.

The high capacity trailer frame and cover is assembled to the dump cart as follows:

1. Remove the tailgate from the dumpcart.
2. Install the front catch using a 3/8-16 x 1" capscrew, flatwasher and locknut. Tighten the locknut so that it will hold securely but still allow the catch to pivot. (Figure 7.)
3. Unfold the canvas and frame assembly so that the front and rear uprights are in a vertical position. Align the side "Z" bars with the cart side wall upper edges and slide the assembly forward onto the cart (Figure 8). Be sure that the front of the cover frame is toward the front of the cart. Turn the front catch down over the front edge of the cart.

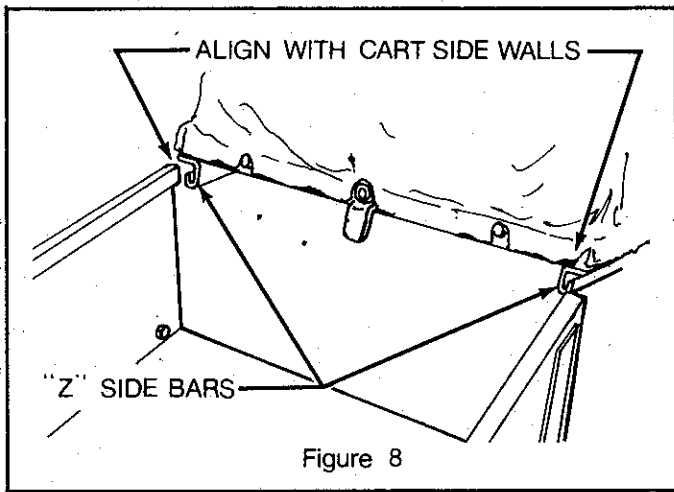


Figure 8

4. Secure the four crossbrace tubes with the hardware attached (Figure 7).

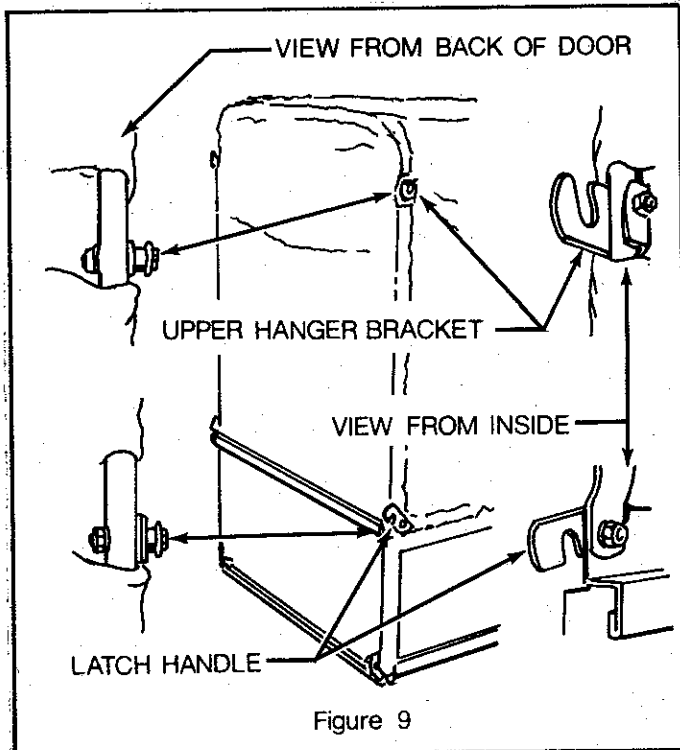


Figure 9

5. Install the rear door catches (Figure 9).
6. Engage the upper door frame side capscrews in the upper hanger brackets and push the bottom edge into place in the box bed. Engage the rear latches to the lower door frame side capscrews (Figure 9).
7. Place the 6" diameter hose in the cover sleeve and tighten the strap in the sleeve (Figure 7).
8. Secure one end of the spring to the strap in the cover sleeve by knotting the end of the strap to the spring. Insert the other end of the spring through the hole in the end of the hook. Then place the hook over the lip on the front of the dump cart body (Figure 7).

Mounting the roving nozzle

The roving nozzle attaches to the blower inlet in place of the hose from the mower. For storage a rack is provided for installation on the front of the dump cart (Figure 10).

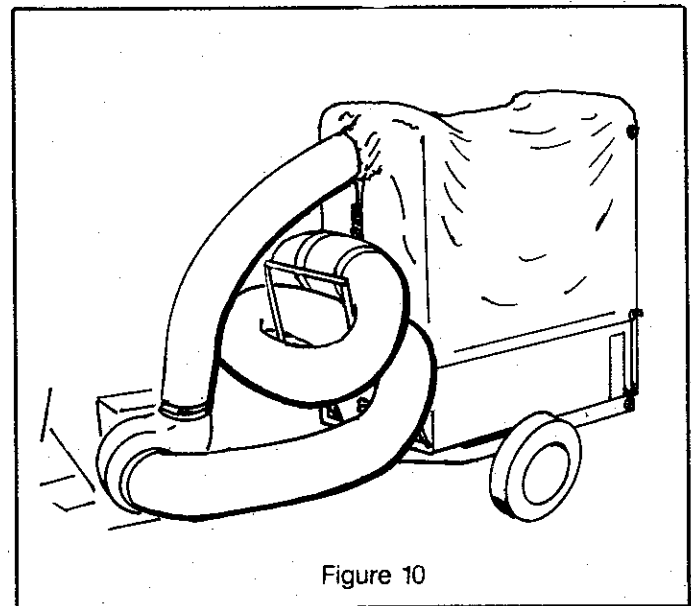


Figure 10

1. Install the hose flange and a hose clamp on the plain end of the hose. Secure with one 1/4-20 x 3" machine screw, lockwasher and hex nut (Figure 2).

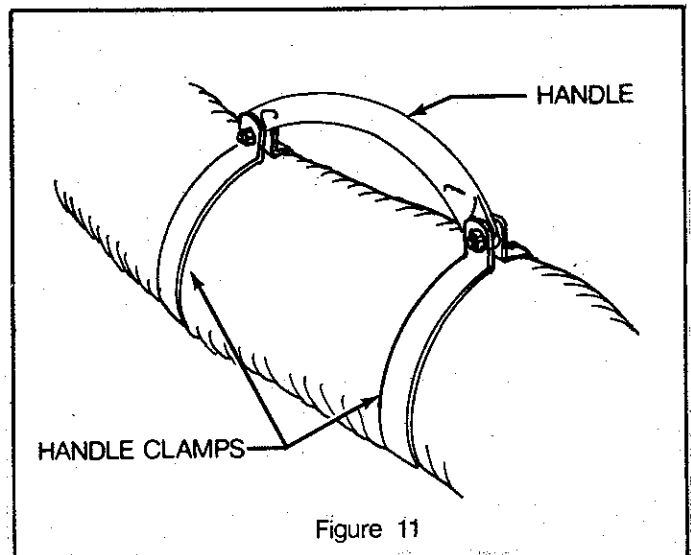


Figure 11

2. Install the hose handle clamps the desired distance from the pickup end of the hose and attach the handle. (Figure 11.)
3. Attach the flanged end of the roving nozzle to the blower housing, seating the flange fully in the slots (Figure 2).
4. The storage rack is assembled and hung on the front of the cart. No hardware for mounting is required. (Figure 12.)

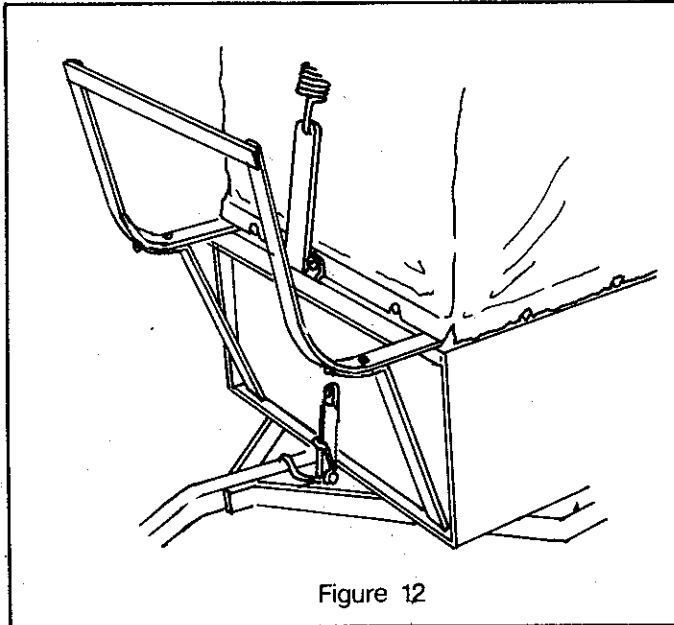


Figure 12

Operation

1. Service the engine for the season it is to be used, according to the manufacturers instructions. Check to be sure it is filled with a good quality motor oil of grade MS. Above 40° F use SAE-30, below 40° F use SAE 5W-20. Fill the fuel tank with clean, fresh leaded or non-leaded "regular" grade gasoline.
2. Check to insure that the muffler exhaust holes are positioned away from the engine (Figure 13).
3. Check to insure hoses are securely fastened to blower housing, mower adapter and trailer cover sleeve.
4. Start the vacuum collector engine using the following procedure:
 - a) Pull the choke plunger out to "CHOKE" position. (Figure 13.)
 - b) Pull the throttle knob all the way up (Figure 13).
 - c) Grasp the recoil starter handle firmly in your right hand and pull sharply straight out to start the engine (Figure 13).
 - d) After the engine starts, return the choke plunger to the off position (Figure 13).
 - e) If the engine fails to start after four or five pulls, it may be flooded. Return the choke plunger to off

position and pull starter handle to clear excess fuel.

- f) To stop the engine, push throttle knob straight down all the way.

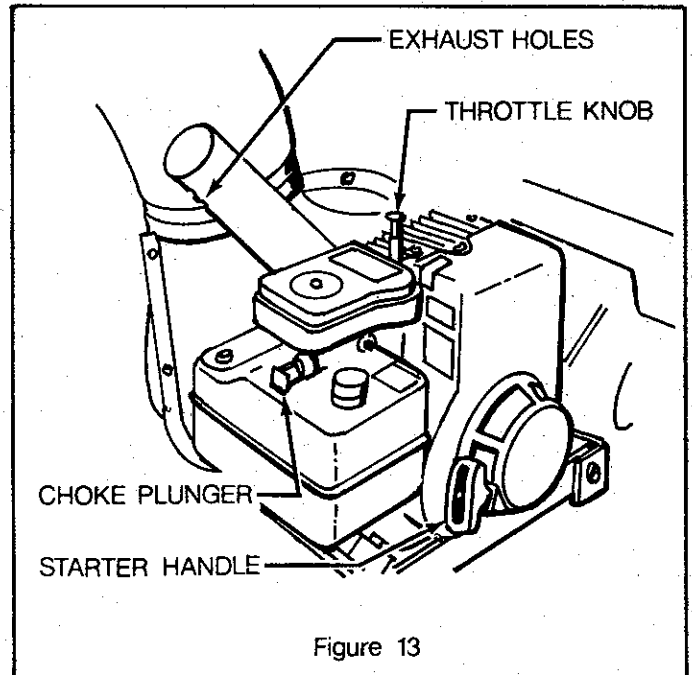


Figure 13

5. Engage mower and run tractor at about three quarter throttle. Under wet conditions or when collecting thick, heavy material, run at slower ground speed (first or second gear) and use full speed on the vacuum collector engine. This will produce increased vacuum.
6. When picking up leaves and tall grass, raise the mower to the highest cutting position. A second pass can then be made with the mower at a lower setting to complete the job.
7. In wet and extremely high grass, it may be necessary to pick up only half of the mower width to prevent the hoses from becoming clogged with grass.
8. Periodically check the hoses and blower housing to insure grass clippings have not accumulated, which will affect the flow of grass to the dump cart.
9. Unzip the zipper on the canvas cover during normal operation to provide an air release in the cart enclosure. During some operations, it may be desirable to have the zipper in the half closed or fully closed position.
10. After using, clean out grass in neck of hose and dump cart.

CAUTION: Do not operate unit without both hoses connected to blower assembly.

Maintenance

After Each Use

Be sure to clean out the hoses and cart thoroughly, especially at the cover sleeve connection.

Every 25 Hours

Follow the Briggs and Stratton manual and change the oil in the engine crankcase. Be sure to service the engine according to the season it will be used in.

Storage

Remove the door cover on the high capacity cart cover or

the entire low profile cover and place it where air will circulate around it. This will prevent rotting of the fabric.

NOTE: When changing engine oil, be sure the funnel and tube are free of dirt. Dirt in the oil will shorten engine life.

TROUBLE SHOOTING

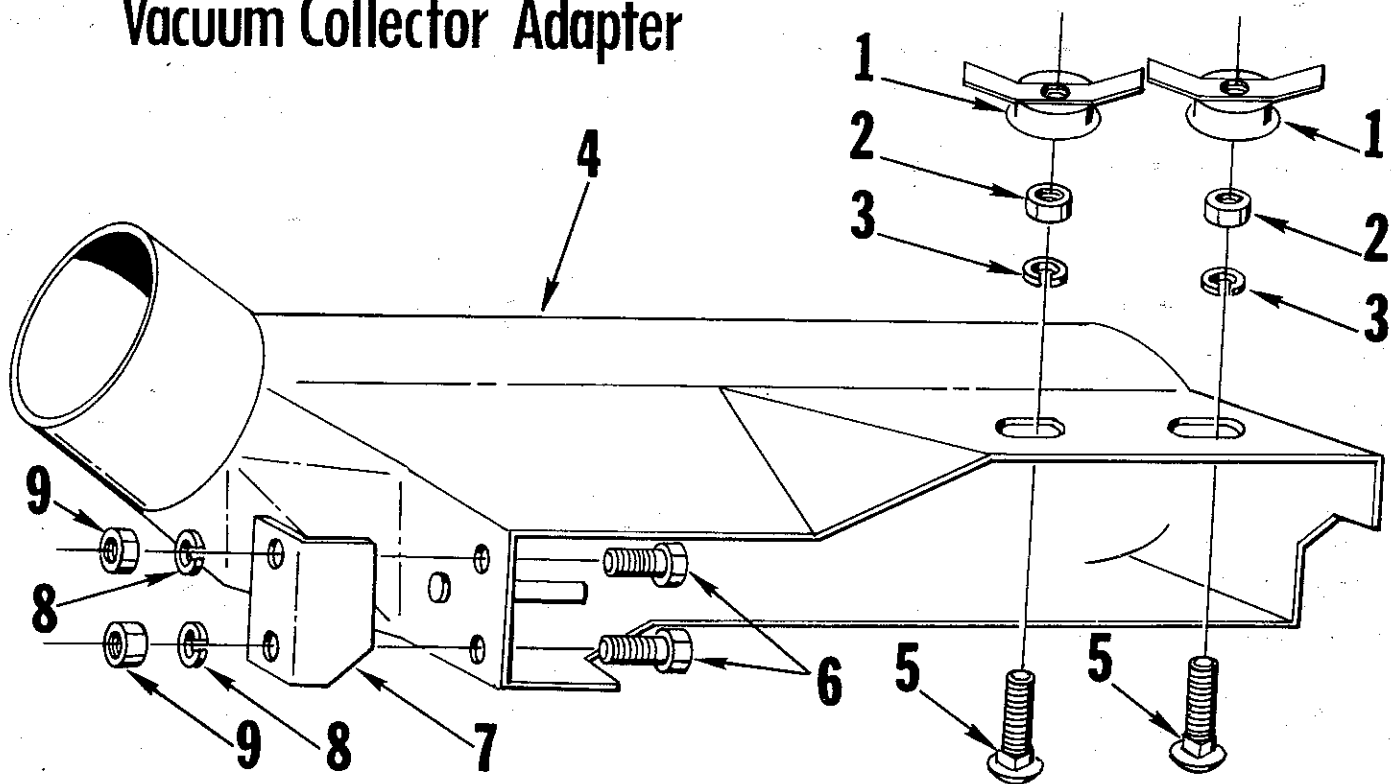
If leaves and grass are not being picked up, check the following:

1. Run the vacuum engine at full speed.
2. Run the tractor at slower ground speed (first gear).
3. Check all hose connections to be sure they are tight.

If the hoses become plugged, check the following:

1. Grass may be too high or wet, use only half the mower width.
2. Run the tractor in a lower gear.
3. Raise the mower for the first pass, lower it to make a second pass.

Vacuum Collector Adapter



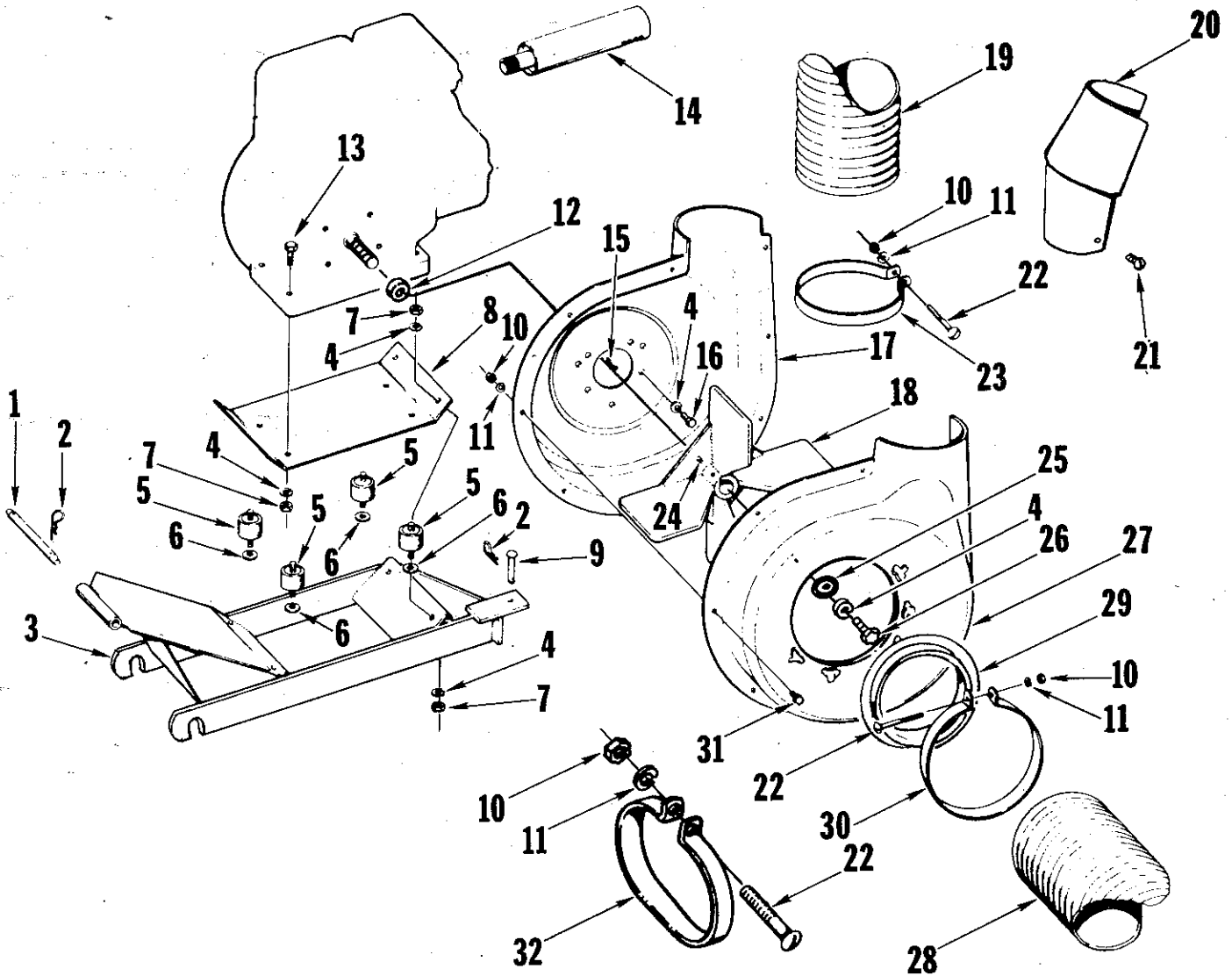
No.	Description	Part No.	Qty.
1	NUT ASSEMBLY	LM-01231-03	2
2	NUT-hex, 5/16-18	LM-09173-72	2
3	WASHER-lock, 5/16	LM-09173-56	2
4	ADAPTER ASSEMBLY-vacuum collector	LM-16073-05	1
5	BOLT-carriage, 5/16-18 x 1	LM-09205-63	2
6	SCREW-cap, 1/4-20 x 1/2	LM-09082-95	2
7	PIECE-closure (32" mower only)	LM-16073-44	1
8	WASHER-lock, 1/4	LM-09169-64	2
9	NUT-hex, 1/4-20	LM-09166-22	2

Accessory

PAINT-black, 12 oz. spray can	22772	1
-------------------------------	-------	---

ALWAYS FURNISH MODEL AND SERIAL NUMBER WHEN ORDERING PARTS.

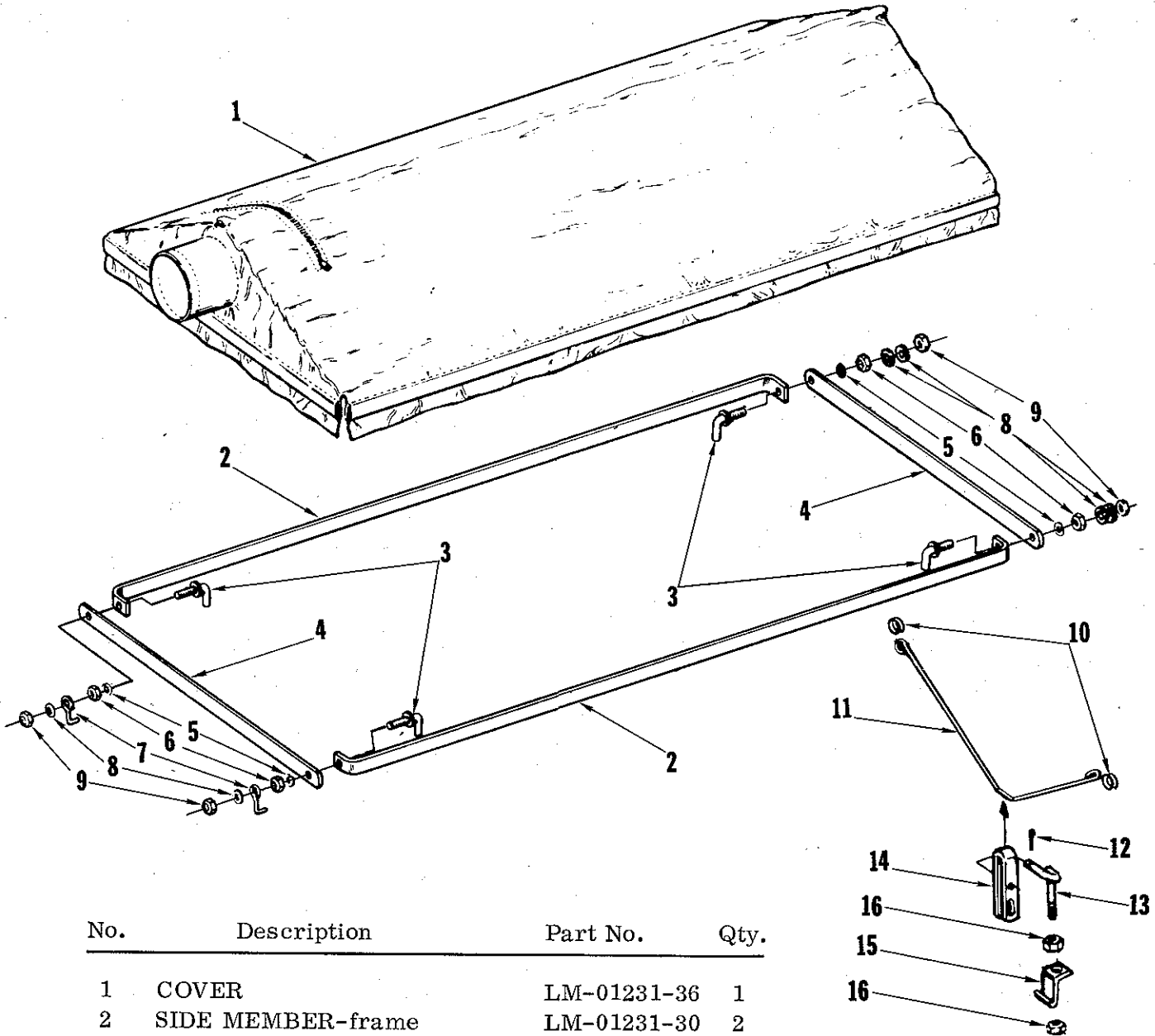
Engine Driven Vacuum Collector



No.	Description	Part No.	Qty.	No.	Description	Part No.	Qty.
1	PIN	LM-01562-68	1	17	HOUSING-blower (R. H.)	LM-01230-13	1
2	PIN-quick	LM-09181-96	3	18	FAN ASSEMBLY	LM-01230-15	1
3	FRAME ASSEMBLY	LM-16072-70	1	19	HOSE-exhaust	LM-01231-43	1
4	WASHER-lock, 5/16	LM-09173-56	17	20	DEFLECTOR	LM-01231-07	1
5	CONNECTOR-cushion	LM-01570-94	4	21	SCREW-self tapping, #10 x 3/8	LM-09198-04	2
6	WASHER-flat, 5/16	LM-09176-42	4	22	SCREW-rd. hd., 1/4-20 x 3	LM-09288-66	3
7	NUT-hex, 5/16-18	LM-09173-72	12	23	CLAMP-hose	LM-01230-67	1
8	PLATE-engine	LM-01230-95	1	24	SCREW-set, 5/16-18 x 1/2	LM-09287-21	1
9	PIN	LM-01180-53	1	25	WASHER	LM-01231-44	1
10	NUT-hex, 1/4-20	LM-09166-22	12	26	SCREW-cap, 5/16-24 x 3/4	LM-09215-15	1
11	WASHER-lock, 1/4	LM-09169-64	12	27	HOUSING-inlet half	LM-01231-09	1
12	SPACER	LM-01231-40	1	28	HOSE-intake	LM-01231-42	1
13	SCREW-cap, 5/16-18 x 1-1/2	LM-09199-33	4	29	FLANGE-hose	LM-01231-11	1
14	MUFFLER	LM-01231-04	1	30	CLAMP-hose	LM-01230-65	1
15	KEY	LM-82210-42	1	31	SCREW-cap, 1/4-20 x 1/2	LM-09082-95	9
16	SCREW-cap, 5/16-24 x 5/8	LM-09221-20	4	32	CLAMP-hose	LM-01231-05	1

ALWAYS FURNISH MODEL AND SERIAL NUMBER WHEN ORDERING PARTS.

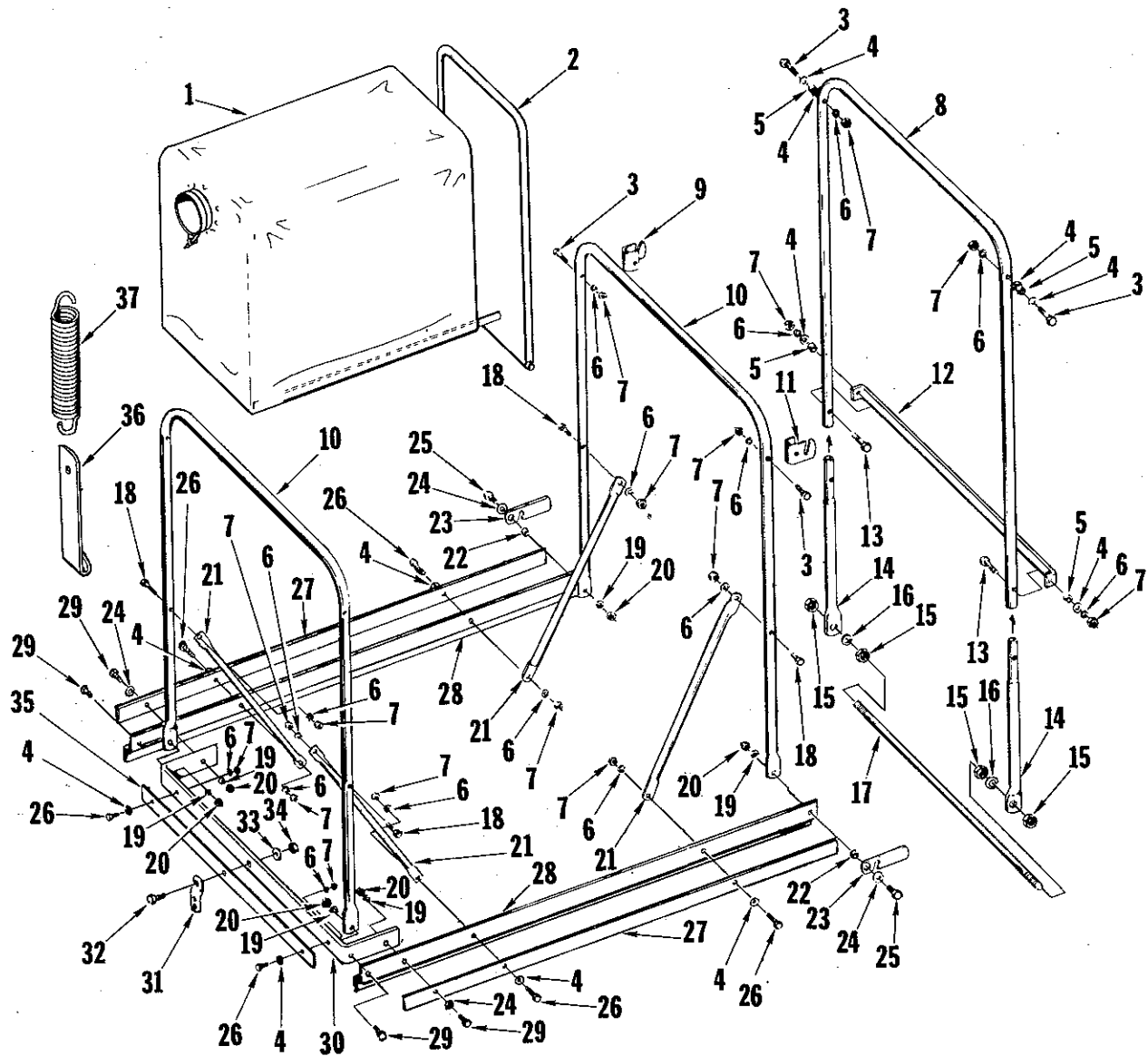
Low Profile Trailer frame & Cover



No.	Description	Part No.	Qty.
1	COVER	LM-01231-36	1
2	SIDE MEMBER-frame	LM-01231-30	2
3	STUD ASSEMBLY-special	LM-01231-32	4
4	END BRACKET-frame	LM-01231-31	2
5	WASHER-lock, 5/16	LM-09173-56	4
6	NUT-hex, 5/16-18	LM-09173-72	4
7	STOP	LM-01231-34	2
8	WASHER-flat, 5/16	LM-09176-42	8
9	NUT-hex lock, 5/16-18	LM-09180-05	4
10	LINK-repair	LM-01701-34	2
11	BAIL	LM-01700-03	1
12	PIN-cotter, 1/8 x 1	LM-09184-52	1
13	ROD-latch	LM-01700-01	1
14	LEVER	LM-01700-02	1
15	LATCH	LM-01700-00	1
16	NUT-hex lock, 3/8-16	LM-09180-06	2

ALWAYS FURNISH MODEL AND SERIAL NUMBER WHEN ORDERING PARTS.

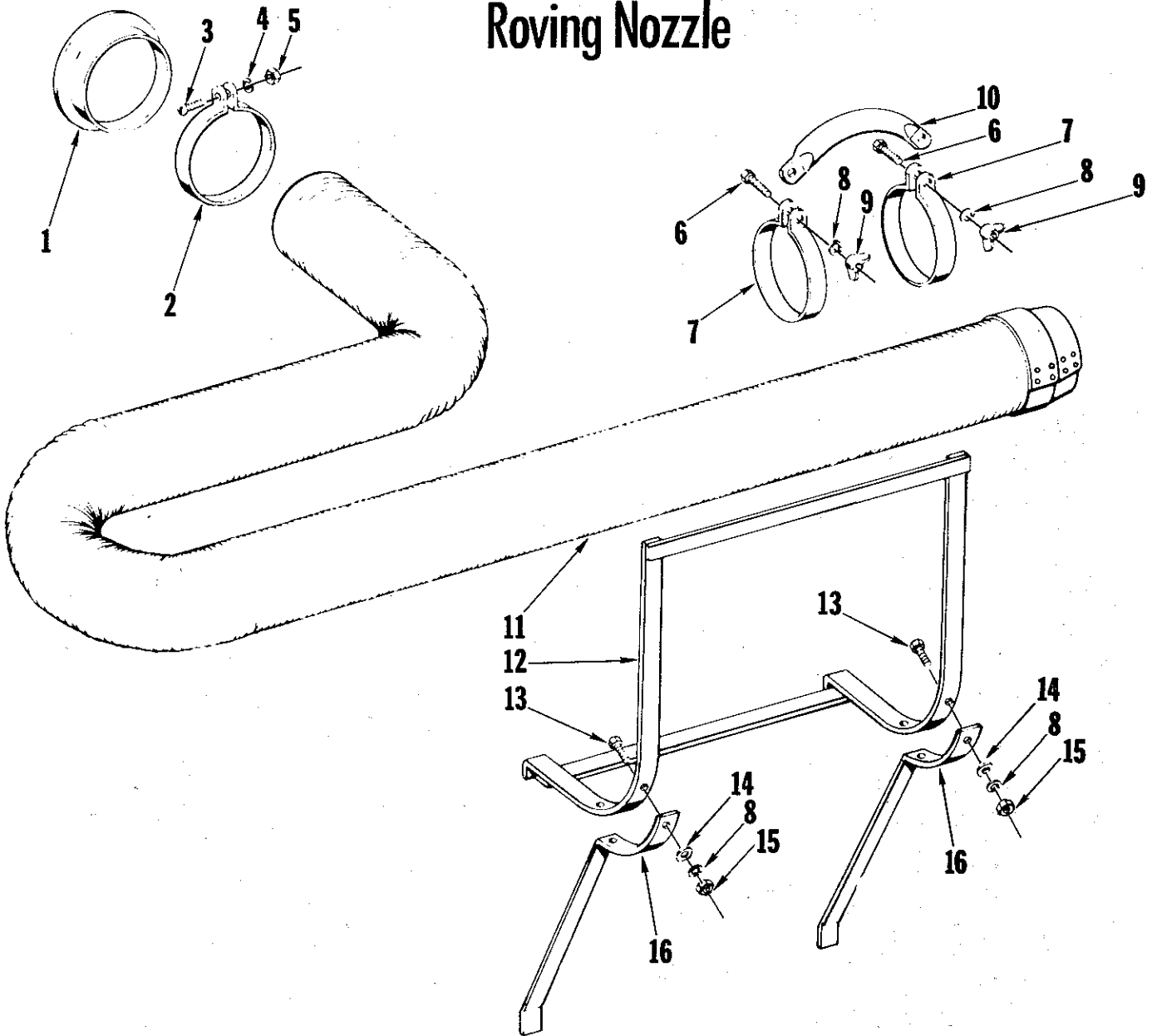
High Capacity Trailer Frame & Cover



No.	Description	Part No.	Qty.	No.	Description	Part No.	Qty.
1	HOOD-cart	LM-01230-49	1	20	NUT-hex, 5/16-18	LM-09173-72	6
2	COVER-door	LM-01230-51	1	21	TUBE-crossbrace	LM-01726-52	4
3	SCREW-cap, 1/4-20 x 1-1/2	LM-09182-40	4	22	SPACER	LM-01561-50	2
4	WASHER-flat, 1/4	LM-09173-77	12	23	LATCH-rear door	LM-01230-40	2
5	SPACER	LM-01230-45	4	24	WASHER-flat, 5/16	LM-09176-42	4
6	WASHER-lock, 1/4	LM-09169-64	16	25	SCREW-cap, 5/16-18 x 7/8	LM-09193-19	2
7	NUT-hex, 1/4-20	LM-09166-22	16	26	SCREW-cap, 1/4-20 x 3/4	LM-09160-19	6
8	DOOR-rear, top	LM-01230-46	1	27	STRIP-hold-down, side	LM-01230-52	2
9	CATCH-door, R.H.	LM-01230-47	1	28	BAR-side	LM-01230-36	2
10	UPRIGHT-front, rear	LM-01230-38	2	29	SCREW-cap, 5/16-18 x 1	LM-09164-31	4
11	CATCH-door, L.H.	LM-01230-48	1	30	BAR-front	LM-01230-37	1
12	BAR-door, rear	LM-01230-44	1	31	BRACKET	LM-01120-60	1
13	SCREW-cap, 1/4-20 x 1-3/4	LM-09193-16	2	32	SCREW-cap, 3/8-16 x 1	LM-09077-31	1
14	TUBE-door, rear	LM-01230-42	2	33	WASHER-flat, 3/8	LM-09173-78	1
15	NUT-hex, 1/2-13	LM-09169-51	4	34	NUT-hex lock, 3/8-16	LM-09180-06	1
16	WASHER-lock, 1/2	LM-09169-66	2	35	STRIP-hold-down, front	LM-01230-53	1
17	ROD-door, rear	LM-01230-43	1	36	HOOK	LM-01231-35	1
18	SCREW-cap, 1/4-20 x 1-1/4	LM-09082-97	4	37	SPRING	LM-81110-47	1
19	WASHER-lock, 5/16	LM-09173-56	6				

ALWAYS FURNISH MODEL AND SERIAL NUMBER WHEN ORDERING PARTS.

Roving Nozzle



No.	Description	Part No.	Qty.
1	FLANGE-hose	LM-01231-11	1
2	CLAMP-hose	LM-01230-65	1
3	SCREW-machine, 1/4-20 x 3	LM-09258-26	1
4	WASHER-lock, 1/4	LM-09169-64	1
5	NUT-hex, 1/4-20	LM-09166-22	1
6	SCREW-cap, 5/16-18 x 3/4	LM-09173-97	2
7	CLAMP-hose	LM-01231-28	2
8	WASHER-lock, 5/16	LM-09173-56	6
9	NUT-wing, 5/16-18	LM-09184-68	2
10	HANDLE-hose	LM-01231-29	1
11	HOSE ASSEMBLY	LM-01231-27	1
12	CARRIER ASSEMBLY-hose	LM-01231-22	1
13	SCREW-cap, 5/16-18 x 7/8	LM-09193-19	4
14	WASHER-flat, 5/16	LM-09176-42	2
15	NUT-hex, 5/16-18	LM-09173-72	4
16	SUPPORT-carrier	LM-01231-25	2

HOMELITE®

Textron
DIVISION

E1726EZ
PRINTED IN U.S.A.

PORT CHESTER, NEW YORK, U.S.A. 10573

Part No. 24756