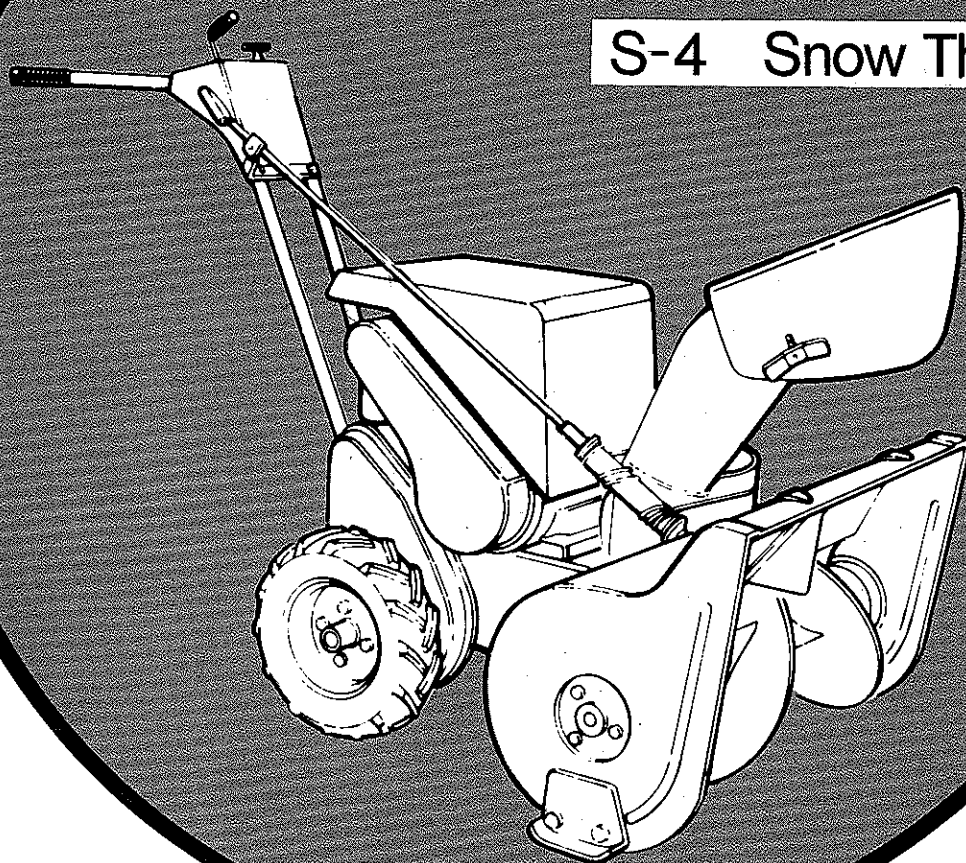


PRICE 35¢

ILLUSTRATED
PARTS LIST

HOMELITE®

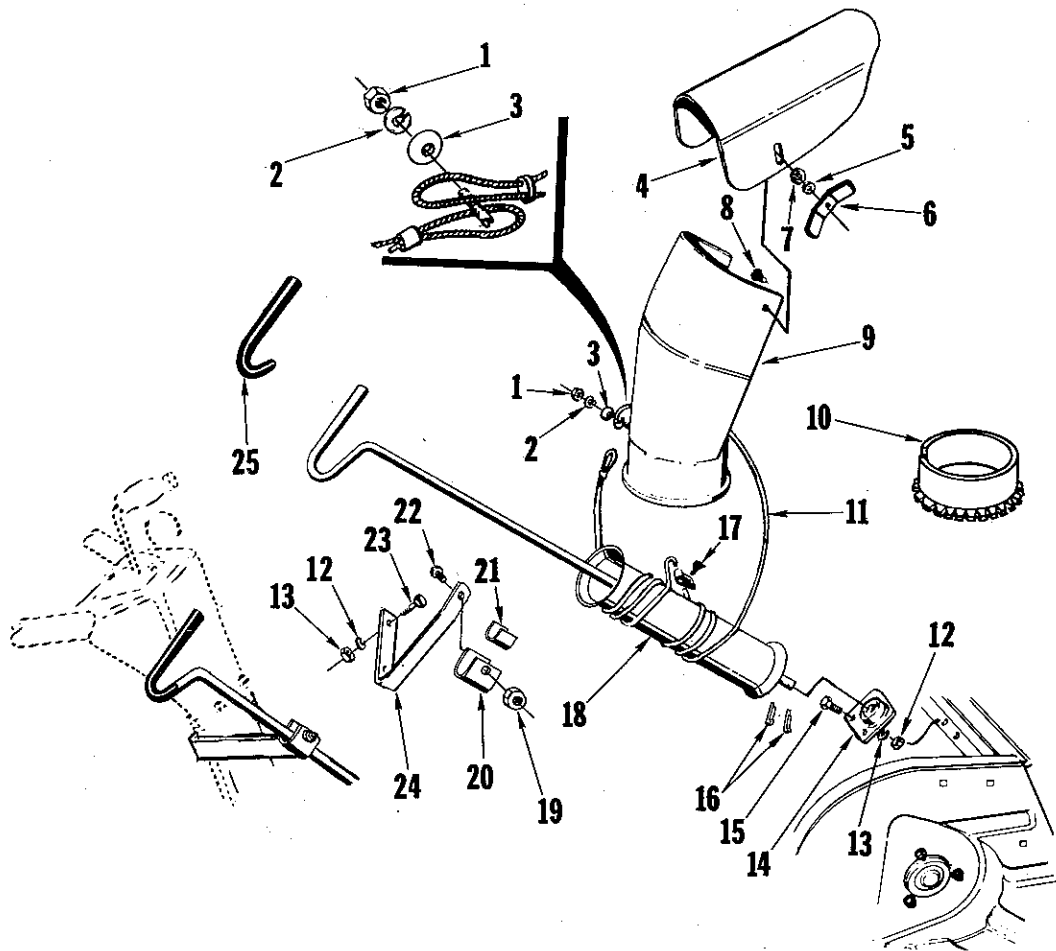
S-4 Snow Thrower



PART NO. 24596-3



SPOUT GROUP

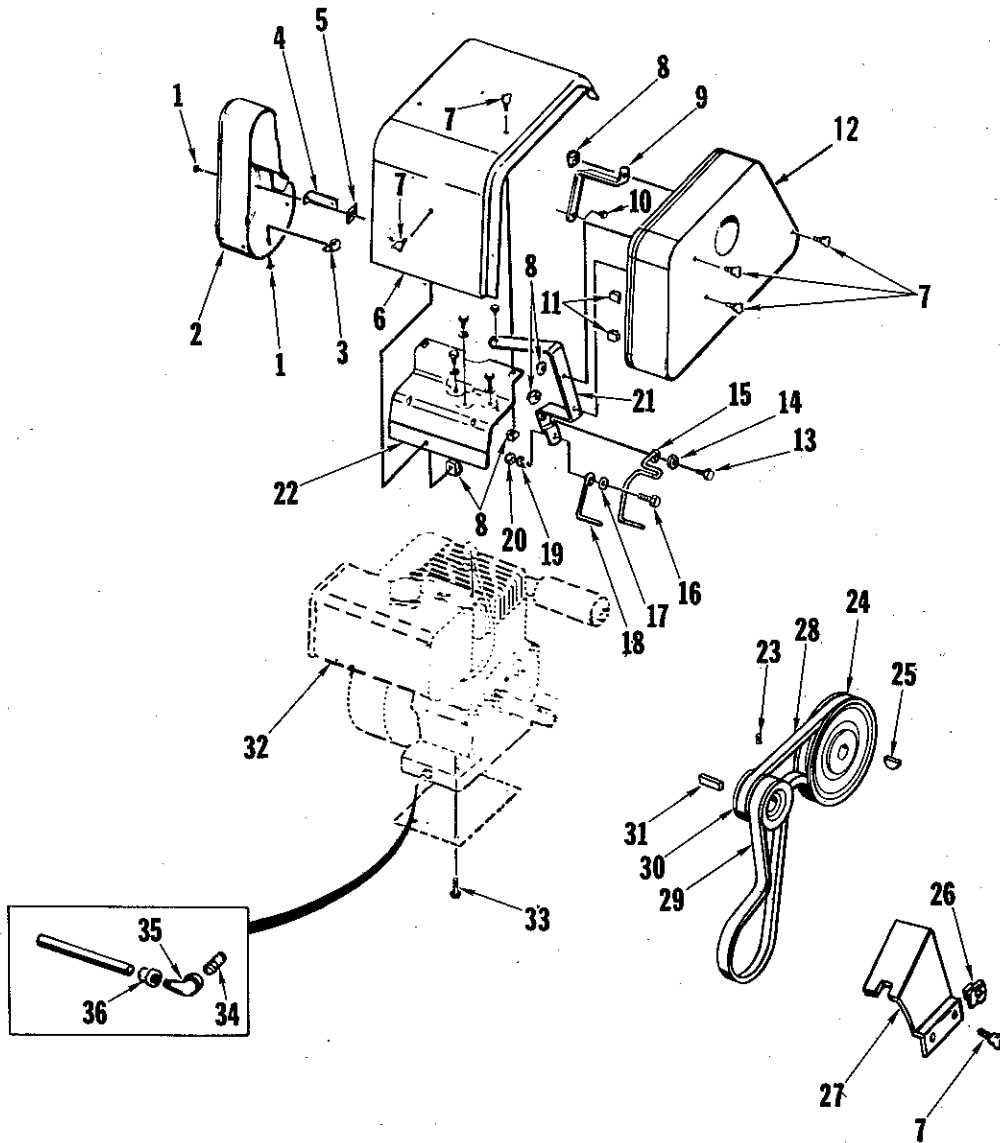


No.	Description	Part No.	Qty.
1	NUT-hex, 5/16-18	LM-09173-72	1
2	WASHER-lock, 5/16	LM-09173-56	1
3	WASHER-cup	LM-01067-85	1
4	EXTENSION-spout	LM-01067-60	1
5	WASHER-flat, 3/8	LM-09173-78	2
6	NUT-wing	LM-01062-29	2
7	WASHER-lock, shakeproof 3/8	LM-09287-10	2
8	BOLT-carriage, 5/16-18 x 3/4	LM-09160-51	2
9	SPOUT ASSEMBLY	LM-01067-62	1
10	LINER	LM-01612-80	1
11	CABLE ASSEMBLY	LM-01068-81	1
12	NUT-hex, 1/4-20	LM-09157-41	4
13	WASHER-lock, 1/4	LM-09169-64	4
14	BEARING	LM-01064-91	1
15	SCREW-cap hex hd., 1/4-20 x 5/8	LM-09077-27	2
16	PIN-cotter, 3/32 x 5/8	LM-09220-00	2
17	SCREW-Taptite, 1/4-20 x 3/8	LM-09274-28	1
* 18	TUBE ASSEMBLY-spout control	LM-01760-96	1
19	NUT-lock hex, 5/16-18	LM-09233-62	1
20	GUIDE-rod	LM-01520-50	1
21	LINER-guide	LM-01211-75	1
22	SCREW - cap hex hd., 5/16 - 18 x 1-1/4	LM-09077-29	1
23	SCREW-cap hex hd., 1/4-20 x 1-3/4	LM-09193-16	2
* 24	SUPPORT-spout adj. rod	LM-01760-26	1
* 25	HANDLE, grip	LM-01769-34	1

ALWAYS FURNISH MODEL AND SERIAL NUMBER WHEN ORDERING PARTS.

* Denotes new parts

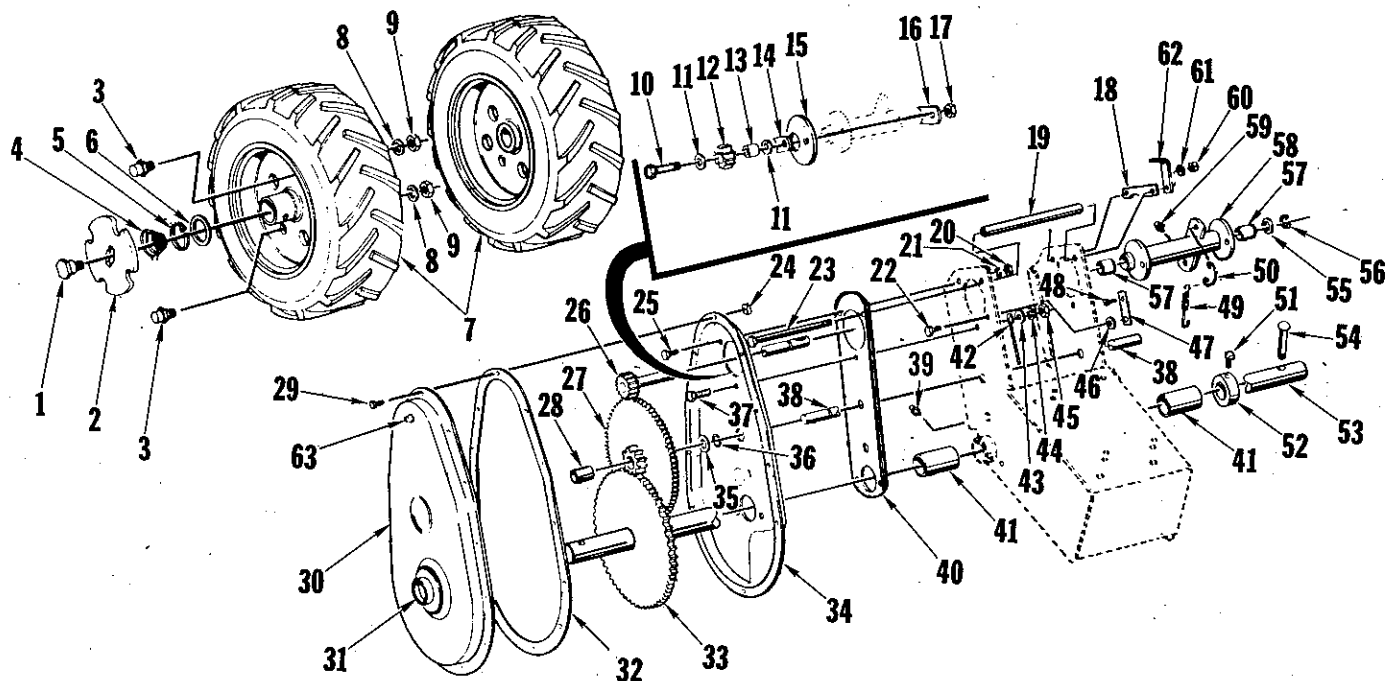
SHIELD, DRIVE PULLEYS, ENGINE



No.	Description	Part No.	Qty.	No.	Description	Part No.	Qty.
1	SCREW-Self-Tap, #10 x 1/2	LM-09221-22	5	19	WASHER-lock, 5/16	LM-09173-56	1
2	SHIELD-air intake	LM-01065-90	1	20	NUT-hex, 5/16-18	LM-09173-72	1
3	NUT-special, Tinnerman speed	LM-09287-02	4	21	SUPPORT-belt guard	LM-01065-41	1
4	BRACKET-air intake shield	LM-01065-91	1	22	BRACKET-hood support	LM-01065-33	1
5	NUT-Tinnerman	LM-09287-00	1	23	SCREW-set, 5/16-18 x 3/8	LM-09055-64	2
6	HOOD ASSEMBLY	LM-01065-34	1	24	PULLEY	LM-01062-27	1
7	SCREW-thumb, 5/16-18 x 3/4	LM-09286-93	8	25	KEY-woodruff	LM-09051-23	2
8	NUT-Tinnerman	LM-09287-01	6	26	RETAINER-nut	LM-09204-70	2
9	BRACKET-belt guard	LM-01065-40	1	27	COVER-belt	LM-01068-66	1
10	SCREW-hex hd. Self-Tap, 1/4-20 x 3/8	LM-09087-90	1	28	BELT-"V"	LM-80210-77	1
11	CLIP-speed	LM-01063-72	3	29	BELT-"V"	LM-01543-07	1
12	GUARD ASSEMBLY-belt	LM-01065-37	1	30	PULLEY	LM-01062-14	1
13	SCREW-hex hd., 1/2-20 x 1	LM-09213-70	1	31	KEY	LM-82210-42	1
14	WASHER-lock, 1/2 internal	LM-09095-89	1	32	ENGINE Model 100202	Type 0180-01	1
15	STOP-belt	LM-01066-24	1	33	SCREW-3/8-16 x 1	LM-09271-87	4
16	SCREW-hex hd., 5/16-18 x 1	LM-09164-31	1	34	NIPPLE-pipe	LM-01068-85	1
17	WASHER-plain, 5/16	LM-09176-42	1	35	ELBOW-street 90°	LM-09214-19	1
18	STOP-belt	LM-01065-45	1	36	PIPE-cap, 1/4 standard	LM-09017-51	1

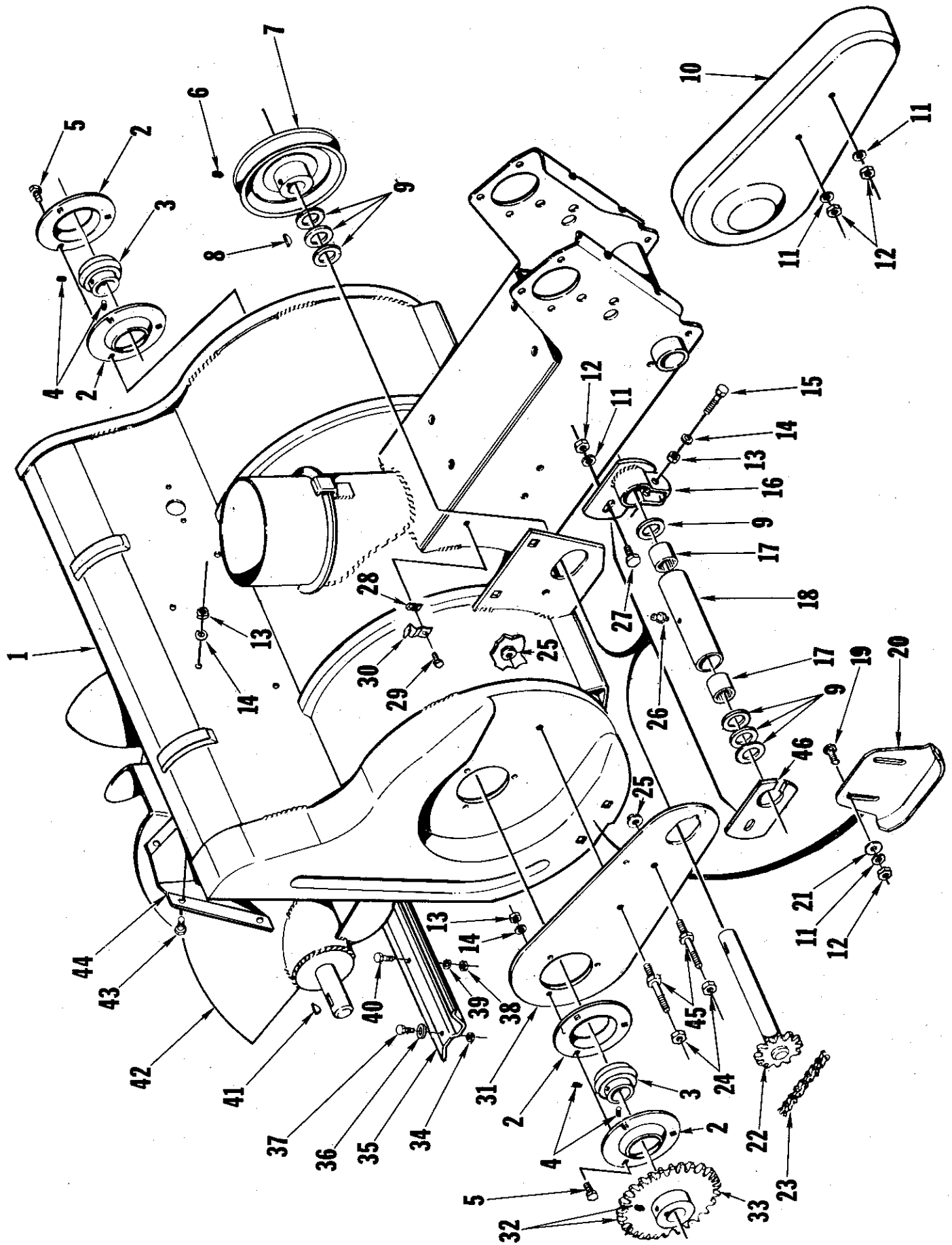
ALWAYS FURNISH MODEL AND SERIAL NUMBER WHEN ORDERING PARTS.

TRANSMISSION and WHEELS



No.	Description	Part No.	Qty.	No.	Description	Part No.	Qty.
1	BOLT-shoulder	LM-01611-66	1	31	WASHER-retaining	LM-80610-55	1
2	PLATE-locking	LM-01611-68	1	32	GASKET-gear case	LM-01531-15	1
3	STUDS	LM-01611-67	2	33	AXLE & GEAR ASSEMBLY	LM-01611-64	1
4	SPRING	LM-01611-76	1	34	CASE-gear	LM-01531-05	1
5	RING-retaining	LM-01583-96	2	35	WASHER	LM-01530-79	1
6	WASHER	LM-01530-88	2	36	RING-retaining	LM-01531-24	1
7	WHEEL & TIRE ASSEMBLY	LM-01611-61	2	37	SCREW-hex hd., 3/8-16 x 1	LM-09077-31	1
	Includes:			38	SHAFT-intermediate	LM-01061-93	1
	WHEEL	LM-01611-62	2	39	FITTING-grease	LM-09128-08	1
	TIRE	LM-01064-51	2	40	GASKET-bearing housing	LM-01531-14	1
8	WASHER-plain, 5/16	LM-09176-42	2	41	BEARING	LM-01530-89	2
9	NUT-hex, 3/8-16	LM-09234-28	2	42	PIN-lock	LM-01210-44	1
10	BOLT-hex hd., 3/8-16 x 1-1/2 (L. H.)	LM-09287-25	1	43	WASHER-plain, 3/8	LM-09173-78	1
11	WASHER-plain, 5/16	LM-09176-42	2	44	WASHER-lock, 3/8	LM-09169-65	1
12	PINION-reverse	LM-01211-18	1	45	NUT-hex, 3/8	LM-09169-50	1
13	SPACER-pinion	LM-01211-63	1	46	WASHER-plain, 1/4	LM-09173-77	2
14	SPACER-reverse pinion	LM-01211-07	1	47	DETENT-neutral	LM-09287-23	1
15	SHIELD	LM-01530-94	1	48	SCREW-Self-Tap, #10 x 3/8	LM-09198-04	1
16	PLATE-lock	LM-01211-39	1	49	SPRING-reverse lever	LM-01531-21	1
17	NUT-hex, 3/8-16 (L. H.)	LM-01530-90	1	50	EXTENSION-spring	LM-01530-11	1
18	PLATE-friction stop	LM-01062-15	1	51	SCREW-set, sq. hd., 5/16-18 x 1/2	LM-09287-21	1
19	SPACER-frame	LM-01062-17	1	52	COLLAR-set	LM-80610-46	1
20	NUT-hex, 5/16	LM-09173-72	3	53	CLIP-spring	LM-81610-45	1
21	WASHER-lock, 5/16	LM-09173-56	3	54	PIN	LM-01180-53	1
22	SCREW-hex hd., 1/4-20 x 5/8	LM-09219-59	1	55	WASHER	LM-01530-79	1
23	BOLT-frame	LM-01062-16	1	56	RING-retaining	LM-01531-24	1
24	NUT-hex, Timmerman	LM-09286-99	12	57	BEARING-bronze	LM-80510-38	2
25	SCREW-hex hd., 5/16-18 x 5/8	LM-09193-18	3	58	HOUSING ASSEMBLY-bearing	LM-01061-99	1
26	SHAFT ASSEMBLY-pulley	LM-01211-15	1	59	FITTING-grease	LM-09128-08	1
27	GEAR ASSEMBLY-intermediate	LM-01213-06	1	60	NUT-hex, 5/16-18	LM-09173-72	1
28	BEARING-intermediate pin	LM-01530-78	1	61	WASHER-lock, 5/16	LM-09173-56	1
29	SCREW-Self-Tap, #10 x 3/8	LM-09237-35	12	62	GUIDE-clutch wire	LM-01067-77	1
30	COVER ASSEMBLY-gear case	LM-01531-06	1	63	FITTING-grease	LM-09287-24	1

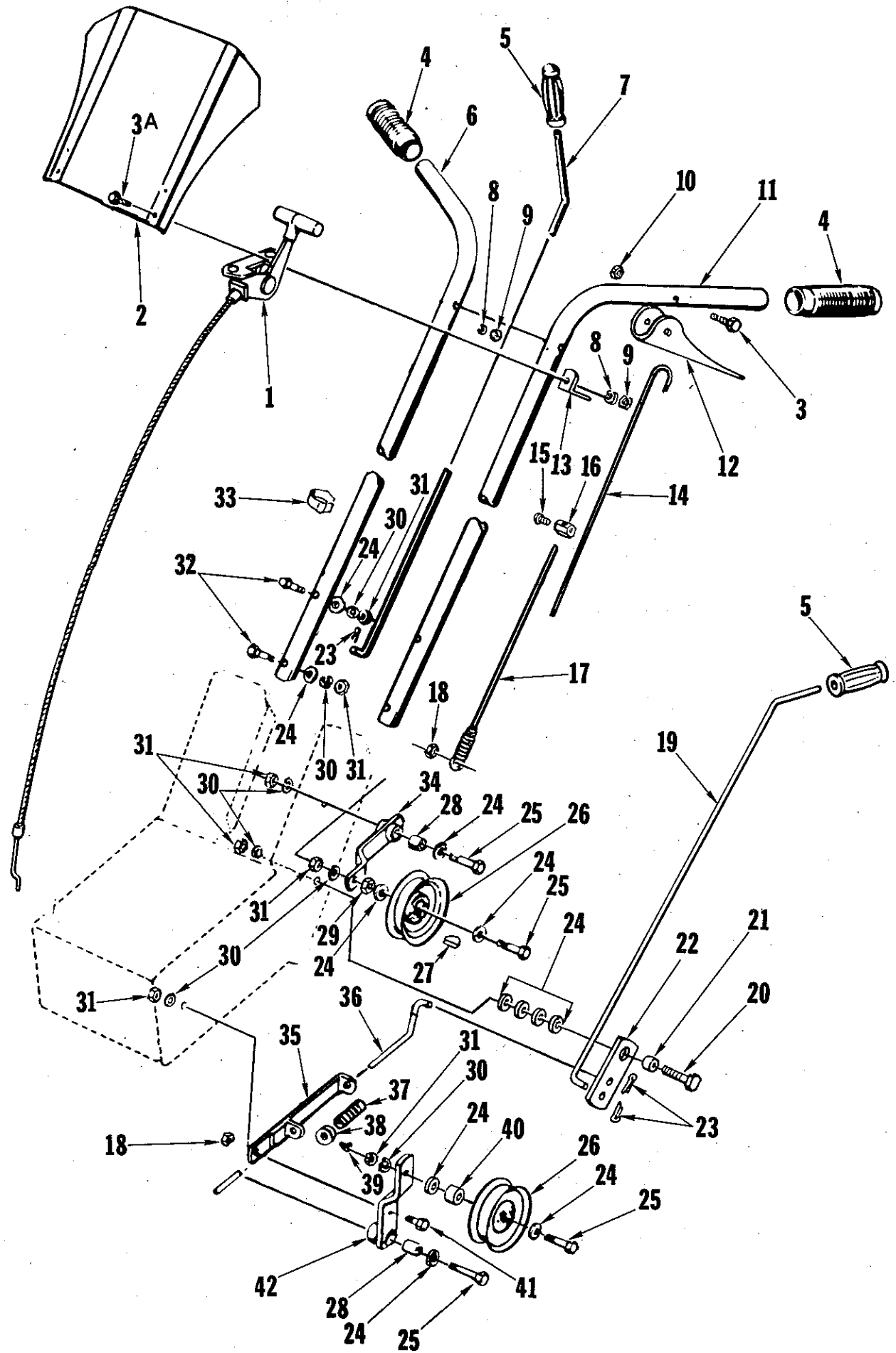
ALWAYS FURNISH MODEL AND SERIAL NUMBER WHEN ORDERING PARTS.



ROTOR BODY and FRAME

No.	Description	Part No.	Qty.
1	BODY-frame assembly	LM-01611-80	1
2	FLANGE-bearing	LM-01610-69	4
3	CARTRIDGE-bearing	LM-01067-32	2
4	SCREW-set, 1/4-28 x 1/4	LM-09286-92	4
5	SCREW-hex, 5/16-18 x 3/4	LM-09173-97	6
6	SCREW-set, 5/16-18 x 5/16	LM-09286-91	1
7	PULLEY	LM-01066-63	1
8	KEY	LM-09051-23	1
9	WASHER	LM-80610-12	7
10	GUARD-chain	LM-01708-65	1
11	WASHER-lock, 3/8	LM-09169-65	8
12	NUT-hex, 3/8-16	LM-09169-50	8
13	NUT-hex, 5/16-18	LM-09173-72	12
14	WASHER-lock, 5/16	LM-09173-56	12
15	SCREW-hex hd., 5/16-18 x 1-1/2	LM-09199-33	2
16	CLAMP, Hsg.	LM-01761-61	1
17	BEARING-needle	LM-01542-58	2
18	HOUSING-bearing	LM-01068-26	1
19	BOLT-carriage, 3/8-16 x 3/4	LM-09160-61	4
20	SKID	LM-01067-47	2
21	WASHER-flat	LM-09173-78	8
22	SHAFT ASSEMBLY	LM-01068-27	1
23	CHAIN	LM-01060-58	1
24	NUT-hex, 3/8-16	LM-09234-28	2
25	NUT-flange, Whiz lock, 3/8-16	LM-09283-52	2
26	FITTING-grease	LM-09211-33	1
27	SCREW-hex, 3/8-16 x 1	LM-09077-31	1
28	NUT-Tinnerman	LM-09286-99	1
29	SCREW-Self-Tap, #10 x 1/2	LM-09286-88	1
30	CLIP-speed	LM-01068-80	1
31	PLATE-side	LM-01707-54	1
32	SCREW-set, 5/16-18 x 5/16	LM-09286-91	1
33	SPROCKET-rotor	LM-01066-53	1
34	NUT-hex, 5/16-18	LM-09233-62	2
35	SCRAPER-body	LM-01068-31	1
36	WASHER-plain, 1/4	LM-09173-77	2
37	SCREW-hex, 5/16-18 x 5/8	LM-09252-05	2
38	NUT-hex, 1/4-20	LM-09157-41	4
39	WASHER-lock, 1/4	LM-09169-64	4
40	SCREW-hex hd., 1/4-20 x 5/8	LM-09219-59	4
41	KEY	LM-01510-40	1
42	ROTOR ASSEMBLY	LM-01068-23	1
43	SCREW-hex hd., 5/16-18 x 5/8	LM-09193-18	4
44	DEFLECTOR	LM-01067-74	1
45	STUD	LM-01067-71	2
46	SUPPORT	LM-01068-25	1

ALWAYS FURNISH MODEL AND SERIAL NUMBER WHEN ORDERING PARTS.



HANDLES and CONTROLS

No.	Description	Part No.	Qty.
1	THROTTLE CONTROL ASSEMBLY	LM-01611-77	1
2	HOUSING ASSEMBLY	LM-01611-71	1
3	SCREW-hex hd., 1/4-20 x 1-1/2	LM-09182-40	3
3A	SCREW-hex hd., 1/4-20 x 1/2	LM-09231-88	2
4	GRIP	LM-01065-58	2
5	GRIP	LM-01065-72	2
6	HANDLE-right	LM-01765-67	1
7	REVERSE ROD ASSEMBLY	LM-01611-59	1
	Includes:		
	PIN-roll, 3/32 x 5/8 (not shown)	LM-09160-18	1
8	WASHER-lock, 1/4	LM-09169-64	2
9	NUT-hex, 1/4-20	LM-09157-41	2
10	NUT-hex, 1/4-20	LM-09233-58	1
11	HANDLE-left	LM-01765-66	1
12	GRIP-clutch	LM-01180-56	1
13	SPRING CLIP	LM-01541-19	1
14	EXTENSION-spring	LM-01610-90	1
15	SCREW-rd. hd., 10-24 x 3/8	LM-09160-79	1
16	CLAMP-wire	LM-01610-92	1
17	SPRING ASSEMBLY	LM-01067-78	1
18	NUT-hex, 3/8-16	LM-09234-28	2
19	ROD	LM-01611-63	1
20	SCREW	LM-01084-18	1
21	BUSHING	LM-81612-15	1
22	BAR-clutch	LM-01611-69	1
23	PIN-cotter, 3/32 x 3/4	LM-09184-47	3
24	WASHER-plain, 3/8	LM-09173-78	12
25	SCREW-hex hd., 3/8-16 x 1-3/4	LM-09193-61	4
26	PULLEY-idler	LM-01545-34	2
27	KEY	LM-09051-23	1
28	RACE-inner bearing	LM-81710-73	2
29	NUT-hex, 3/8-16	LM-09287-31	1
30	WASHER-lock, 3/8	LM-09169-65	8
31	NUT-hex, 3/8-16	LM-09169-50	8
32	SCREW-hex hd., 3/8-16 x 2	LM-09174-02	4
33	CLIP-cable	LM-80611-08	1
34	LEVER ASSEMBLY-idler	LM-01062-04	1
35	GUIDE ASSEMBLY-clutch rod	LM-80815-03	1
36	ROD-clutch rotor	LM-01068-29	1
37	SPRING	LM-81910-45	1
38	COLLAR-set	LM-81910-22	1
39	SCREW-set, sq. hd., 1/4-20 x 3/8	LM-09038-07	1
40	BUSHING	LM-01541-77	1
41	SCREW-hex hd., 3/8-16 x 7/8	LM-09193-57	1
42	LEVER ASSEMBLY-idler	LM-01062-01	1

ALWAYS FURNISH MODEL AND SERIAL NUMBER WHEN ORDERING PARTS.

Part No.	Description	Qty.	Part No.	Description	Qty.
LM-01060-58	Chain w/conn. link	1	LM-01180-56	Grip-clutch	1
LM-01061-93	Shaft-intermediate	1	LM-01210-44	Pin-lock	1
LM-01061-99	Housing Assembly	1	LM-01211-07	Spacer	1
LM-01062-01	Lever Assembly	1	LM-01211-15	Shaft Assembly	1
LM-01062-04	Lever Assembly	1	LM-01211-18	Pinion-reverse	1
LM-01062-14	Pulley	1	LM-01211-39	Plate-lock	1
LM-01062-15	Plate-friction stop	1	LM-01211-63	Spacer-pinion	1
LM-01062-16	Bolt-frame	1	LM-01211-75	Liner-guide	1
LM-01062-17	Spacer-frame	1	LM-01213-06	Gear Assembly	1
LM-01062-27	Pulley	1	LM-01510-40	Key	1
LM-01062-29	Nut-wing	2	LM-01520-50	Guide-rod	1
LM-01063-72	Clip-speed	3	LM-01530-11	Extension-spring	1
LM-01064-51	Tire	2	LM-01530-78	Bearing	1
LM-01064-91	Bearing	1	LM-01530-79	Washer	2
LM-01065-33	Bracket-hood	1	LM-01530-88	Washer	2
LM-01065-34	Hood Assembly	1	LM-01530-89	Bearings	2
LM-01065-37	Guard Assembly	1	LM-01530-94	Shield	1
LM-01065-40	Bracket-belt guard	1	LM-01531-05	Case-gear	1
LM-01065-41	Support-belt guard	1	LM-01531-06	Cover-gear case	1
LM-01065-45	Stop-belt	1	LM-01531-14	Gasket-bearing housing	1
LM-01065-58	Grip	2	LM-01531-15	Gasket-gear case	1
LM-01065-72	Grip	2	LM-01531-21	Spring-reverse lever	1
LM-01065-90	Shield-air intake	1	LM-01531-24	Ring-retaining	2
LM-01065-91	Bracket-air intake	1	LM-01541-19	Spring Clip	1
LM-01066-24	Stop-belt	1	LM-01541-77	Bushing	1
LM-01066-53	Sprocket-rotor	1	LM-01542-58	Bearing-needle	2
LM-01066-63	Pulley	1	LM-01543-07	Belt-"V"	1
LM-01067-32	Bearing-cartridge	2	LM-01545-34	Pulley-idler	2
LM-01067-47	Skid	2	LM-01583-96	Ring-retaining	2
LM-01067-60	Extension-spout	1	LM-01610-69	Flange-bearing	4
LM-01067-62	Spout Assembly	1	LM-01610-90	Extension-spring	1
LM-01067-71	Stud	2	LM-01610-92	Clamp-wire	1
LM-01067-74	Deflector	1	LM-01611-59	Rod Assembly	1
LM-01067-77	Guide-clutch wire	1	LM-01611-61	Wheel & Tire	2
LM-01067-78	Spring Assembly	1	LM-01611-62	Wheel	2
LM-01067-85	Washer-cup	1	LM-01611-63	Rod	1
LM-01068-22	Plate-support	1	LM-01611-64	Axle & Gear Assembly	1
LM-01068-23	Rotor Assembly	1	LM-01611-66	Bolt-shoulder	1
LM-01068-25	Support	1	LM-01611-67	Stud	2
LM-01068-26	Housing-bearing	1	LM-01611-68	Plate-locking	1
LM-01068-27	Shaft Assembly	1	LM-01611-69	Bar-clutch	1
LM-01068-29	Rod-clutch rotor	1	LM-01611-71	Housing Assembly	1
LM-01068-31	Scraper-body	1	LM-01611-76	Spring	1
LM-01068-66	Cover-belt	1	LM-01611-77	Control Assembly	1
LM-01068-80	Clip-speed	1	LM-01611-80	Body-frame Assembly	1
LM-01068-81	Cable Assembly	1	LM-01612-80	Liner	1
LM-01068-85	Nipple-pipe	1	LM-01707-54	Plate-side	1
LM-01084-18	Screw	1	LM-01708-65	Chain Guard	1
LM-01180-53	Pin	1	*LM-01760-26	Support	1

ALWAYS FURNISH MODEL AND SERIAL NUMBER WHEN ORDERING PARTS.

Part No.	Description	Qty.	Part No.	Description	Qty.
* LM-01760-96	Tube Assembly	1	LM-09286-93	5/16-18 x 3/4	8
LM-01761-61	Clamp, Hsg.	1	LM-09287-10	Washer-3/8	2
LM-01765-66	Handle-left	1	LM-09287-21	5/16-18 x 1/2	1
LM-01765-67	Handle-right	1	LM-09287-25	3/8-16 x 1-1/2	1
* LM-01769-34	Handle, grip	1	LM-09287-31	Nut-3/8-16	1
	Engine	1	LM-80611-08	Clip-cable	1
LM-09017-51	Pipe-cap (1/4 std.)	1	LM-80815-03	Guide Assembly	1
LM-09051-23	Key-woodruff #9	4	LM-81610-45	Clip-spring	2
LM-09211-33	Fitting-grease	1	LM-81612-15	Bushing	1
LM-09160-18	Pin-roll	1	LM-81710-73	Race-inner	2
LM-09204-70	Nut-Tinnerman	2	LM-81910-22	Collar-set	1
LM-09214-19	Elbow-street 90°	1	LM-81910-45	Spring	1
LM-09286-99	Nut-hex	13	LM-82210-42	Key	1
LM-09287-00	Nut-Tinnerman	1	FASTENING PARTS		
LM-09287-01	Nut-Tinnerman	6	LM-01530-90	Nut-3/8-16	1
LM-09287-02	Nut-special	4	LM-09038-07	1/4-20 x 3/8	1
LM-09287-23	Detent-neutral	1	LM-09055-64	5/16-18 x 3/8	2
LM-09287-24	Fitting-grease	1	LM-09077-27	1/4-20 x 5/8	2
LM-80210-77	Belt-"V"	1	LM-09077-29	5/16-18 x 1-1/4	1
LM-80510-38	Bronze Bearing	2	LM-09077-31	3/8-16 x 1	2
LM-80610-12	Washer	7	LM-09087-90	1/4-20 x 3/8	1
LM-80610-46	Collar-set	1	LM-09095-89	Washer-lock, 1/2	1
LM-80610-55	Washer-retaining	1	LM-09157-41	Nut-1/4-20	10
LM-09128-08	Fitting	2	LM-09160-51	5/16-18 x 3/4	2
LM-09193-61	3/8-16 x 1-3/4	4	LM-09160-61	3/8-16 x 3/4	4
LM-09198-04	10 x 3/8	1	LM-09160-79	10-24 x 3/8	1
LM-09199-33	5/16-18 x 1-1/2	2	LM-09164-31	5/16-18 x 1	1
LM-09213-70	1/2-20 x 1	1	LM-09169-50	Nut-3/8-16	17
LM-09219-59	1/4-20 x 5/8	5	LM-09169-64	Washer-1/4	10
LM-09220-00	Pin-cotter	2	LM-09169-65	Washer-3/8	17
LM-09221-22	#10 x 1/2	5	LM-09173-56	Washer-5/16	18
LM-09231-88	1/4-20 x 1/2	2	LM-09173-72	Nut, 5/16-18	18
LM-09233-58	Nut-1/4-20	1	LM-09173-77	Washer-1/4	4
LM-09233-62	Nut-5/16-18	3	LM-09173-78	Washer-3/8	26
LM-09234-28	Nut-3/4-16	6	LM-09173-97	5/16-18 x 3/4	6
LM-09237-35	10 x 3/8	12	LM-09174-02	3/8-16 x 2	4
LM-09252-05	5/16-19 x 5/8	2	LM-09176-42	Washer-5/16	5
LM-09271-87	3/8-16 x 1	4	LM-09182-40	1/4-20 x 1-1/2	3
LM-09274-28	1/4-20 x 3/8	1	LM-09184-47	Pin-cotter	3
LM-09283-52	Nut-3/8-16	2	LM-09193-16	1/4-20 x 1-3/4	2
LM-09286-88	#10 x 1/2	1	LM-09193-18	5/16-18 x 5/8	7
LM-09286-91	5/16-18 x 5/16	2	LM-09193-57	3/8-16 x 7/8	1
LM-09286-92	1/4-28 x 1/4	4			

* Denotes new parts

PRINTED IN U. S. A.



A Textron DIVISION, PORT CHESTER, N.Y. 10573

E2279EZ