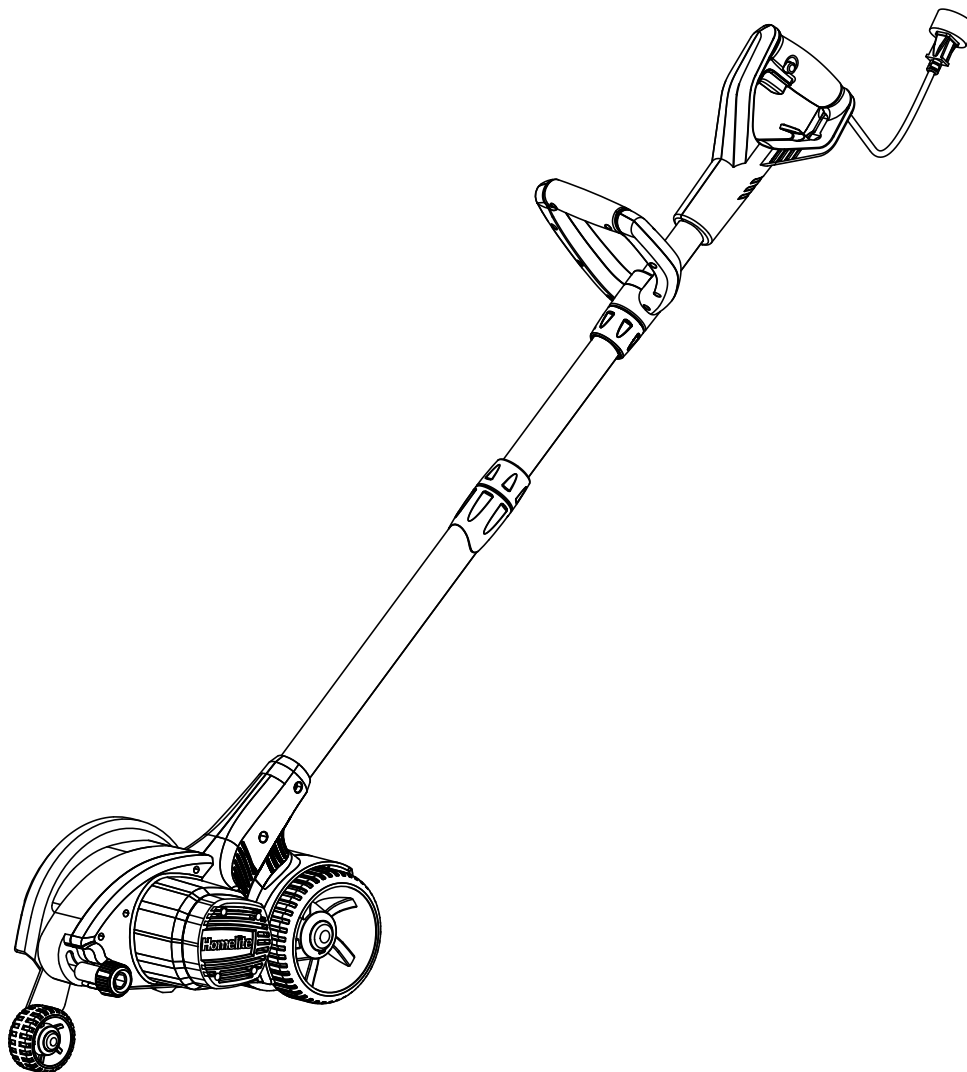


Homelite®

OPERATOR'S MANUAL

EDGER/TRENCHER

UT45100



Your edger has been engineered and manufactured to Homelite's high standard for dependability, ease of operation, and operator safety. Properly cared for, it will give you years of rugged, trouble-free performance.

⚠ WARNING: To reduce the risk of injury, the user must read and understand the operator's manual before using this product.

Thank you for your purchase.

SAVE THIS MANUAL FOR FUTURE REFERENCE

TABLE OF CONTENTS

■ Introduction	2
■ Important Safety Instructions	3-4
■ Specific Safety Rules	5
■ Symbols	6-7
■ Electrical	8
■ Features	9-10
■ Assembly	10-11
■ Operation	11-12
■ Maintenance	13
■ Exploded View and Parts List	14
■ Troubleshooting	15
■ Warranty	16
■ Parts Ordering / Service	Back Page

INTRODUCTION

This product has many features for making its use more pleasant and enjoyable. Safety, performance, and dependability have been given top priority in the design of this product making it easy to maintain and operate.

IMPORTANT SAFETY INSTRUCTIONS

DANGER – When using your edger, follow basic precautions.

WARNING:

Read and understand all instructions. Failure to follow all instructions listed below may result in electric shock, fire and/or serious personal injury.

READ ALL INSTRUCTIONS

- Read the operator's manual carefully. Be thoroughly familiar with the controls and the proper use of the equipment. Know how to stop the unit and disengage the controls quickly.
- Do not allow children or untrained individuals to use this unit.
- Clear the work area before each use. Remove all objects such as rocks, broken glass, nails, wire, or string which can be thrown or become entangled in the edger blade.
- Wear safety glasses or goggles that are marked to comply with ANSI Z87.1 standard when operating this product.
- Dress properly - Do not wear loose clothing or jewelry. They can be caught in moving parts. Use of sturdy gloves is recommended. Use of rubber gloves and substantial footwear is recommended when working outdoors. Wear protective hair covering to contain long hair.
- Do not operate product when barefoot or wearing open sandals. Always wear safety footwear and pants or slacks that cover your legs.
- Never operate this unit on the operator's left side.
- Keep Children Away – Keep all bystanders, children, and pets at least 50 ft. away. Bystanders should be encouraged to wear eye protection. If approached, stop motor and attachment.
- Stay alert, watch what you are doing, and use common sense. Do not use product while tired or under the influence of drugs, alcohol, or medication.
- Do not operate in poor lighting.
- Keep firm footing and balance. Do not overreach. Overreaching can result in loss of balance or exposure to hot surfaces. Keep cutting attachment below waist.
- Keep all parts of your body away from any moving part.
- **DANGER – ROTATING CUTTING MEMBER:**
 - Keep both hands on handles when blade is rotating.
 - Keep hands and feet away from cutting area.
 - Do not attempt to remove cut material nor hold material to be cut when motor is running or when cutting member is moving.
 - Make sure unit is unplugged when clearing jammed material from cutting member.
 - Keep guards in place.
 - Keep blade clean and sharp. Replace dull blades as needed.
- **CAUTION:** Cutting member coasts after turn off.
- Unplug from the power outlet before making any adjustments or repairs. Wear protective equipment and observe all safety instructions. When the unit is turned off, make sure the cutting attachment has stopped before setting the unit down.
- Inspect the unit before each use for loose fasteners. Replace any damaged parts before use.
- Do not, under any circumstance, use any attachment or accessory on this product which was not provided with the product, or identified as appropriate for use with this product in the operator's manual.
- Avoid dangerous environments - Do not use the product in damp or wet locations.
- Do not use in rain.
- If the product vibrates abnormally, immediately stop the motor and check for the cause. Vibration is generally a warning of trouble.
- Before cleaning, repairing, or inspecting, shut off the motor and make certain all moving parts have stopped.
- Service on the product must be performed by qualified repair personnel only. Service or maintenance performed by unqualified personnel could result in injury to the user or damage to the product.
- Use only identical replacement parts when servicing the product. Use of unauthorized parts may create a risk of serious injury to the user, or damage to the product.
- To reduce the risk of electric shock, this tool has a polarized plug (one blade is wider than the other) and will require the use of a polarized extension cord. The plug will fit into a polarized extension cord only one way. If the plug does not fit fully into the extension cord, reverse the plug. If the plug still does not fit, obtain a correct polarized extension cord. A polarized extension cord will require the use of a polarized wall outlet. This plug will fit into the polarized wall outlet only one way. If the plug does not fit fully into the wall outlet, reverse the plug. If the plug still does not fit, contact a qualified electrician to install the proper wall outlet. Do not change the equipment plug, extension cord receptacle, or extension cord plug in any way.
- Avoid body contact with grounded surfaces such as pipes, radiators, ranges, and refrigerators. There is an increased risk of electric shock if your body is grounded.
- Don't expose product to rain or wet conditions. Water entering a power tool will increase the risk of electric shock.
- Do not handle plug or tool with wet hands.
- When operating a power tool outside, use an outdoor extension cord marked "W-A" or "W". These cords are rated for outdoor use and reduce the risk of electric shock.
- Store idle edger indoors – when not in use store in dry, and high or locked up place out of reach of children.

IMPORTANT SAFETY INSTRUCTIONS

- Turn off all controls before unplugging.
- Do not use tool if switch does not turn it on or off. Any tool that cannot be controlled with the switch is dangerous and must be repaired.
- Do not use with damaged plug. If tool is not working as it should or has been dropped, damaged, left outdoors, or dropped into water, return it to an authorized service center.
- Do not leave the tool when plugged in. Unplug from the power outlet when not in use, before servicing, changing accessories, and before storing the tool. Such preventative safety measures reduce the risk of starting the tool accidentally.
- Don't Abuse Cord – Do not pull or carry by cord, use cord as a handle, close a door on a cord, or pull cord around sharp edges or corners or yank to disconnect. Do not run appliance over cord. Keep cord away from heated surfaces.
- Do not unplug by pulling on cord. To unplug, grasp the plug, not the cord.
- Do not handle plug or appliance with wet hands.
- In a double insulated appliance, two systems of insulation are provided instead of grounding. No grounding means is provided on a double insulated appliance, nor should a means for grounding be added to the appliance. Servicing a double insulated appliance requires extreme care and knowledge of the system and should be done only by qualified service personnel. Replacement parts for a double insulated appliance must be identical to the parts they replace.
- For household use only.
- Ground Fault Circuit Interrupter (GFCI) – Protection should be provided on the circuit or outlet to be used for the edger. Receptacles are available having built in GFCI protection and may be used for this measure of safety.
- Avoid Unintentional Starting – Don't carry plugged in edger with finger on switch. Be sure switch is off when plugging in.
- Don't grasp the exposed cutting blades or cutting edges when picking up or holding the edger.
- Don't Force Edger – It will do the job better and with less likelihood of a risk of injury at rate for which it was designed.
- Maintain Edger with Care – Keep sharp cutting edge clean for best performance and to reduce the risk of injury. Follow instruction for lubricating and changing accessories. Inspect edger cord periodically, and if damaged, have it repaired by an authorized service facility. Inspect extension cords periodically and replace if damaged. Keeps handles dry, clean, and free from oil and grease.
- Check Damaged Parts – Before further use of the edger, a guard or other part that is damaged should be carefully checked to determine that it will operate properly and perform its intended function. Check alignment of moving parts, binding of moving parts, breakage of parts, mounting, and any other condition that might effect its operation. A guard or other part that is damaged should be properly repaired or replaced by an authorized service center unless indicated elsewhere in this manual.
- Use Right Appliance – Do not use edger for any job except that for which it is intended.
- Extension Cord – Make sure your extension cord is in good condition. When using an extension cord, be sure to use one heavy enough to carry the current your product will draw. A wire gauge size (A.W.G.) of at least **14** is recommended for an extension cord 50 feet or less in length. If in doubt, use the next heavier gauge. The smaller the gauge number, the heavier the cord. An undersized cord will cause a drop in line voltage resulting in loss of power and overheating.












SAVE THESE INSTRUCTIONS

SPECIFIC SAFETY RULES

- Be sure all guards are properly and securely attached.
- Replace dull or worn blade; do not attempt to sharpen.
- Do not attempt to sharpen blade. Failure to heed this warning could result in excessive vibration causing serious personal injury or property damage.
- Use this edger for edging along sidewalks, driveways, and flower beds. Do not use for any other purpose.
- Do not use the edger on or near graveled surfaces.
- If the edger strikes any type of foreign object:
 - a) Stop the edger and disconnect from the power supply.
 - b) Inspect for damage to the edger attachment.
 - c) Correct damage before using the edger attachment. Failure to do so can cause serious injury.
- Make yourself familiar with the area you are edging. Be aware of uneven sidewalks and holes in the terrain as well as other similar hazardous conditions (example: wire or wire rope which can break off and become a dangerous projectile). Always push the edger attachment slowly over rough ground.
- Never direct discharge of material toward bystanders or allow anyone near the area of operation. Use care in directing discharge to avoid glass enclosures, automobiles, and the like.
- Always stop the motor and disconnect from power supply before attempting to remove any obstruction caught or jammed in the blade, installing attachment, or making any adjustments.
- To reduce the risk of fire, do not allow excessive grass, leaves, or grease to accumulate on the product.
- Do not attempt to remove cut material nor hold material to be cut when the motor is running or when the cutting blade is moving.
- Always keep your right hand on the rear handle and your left hand on the front handle when the blade is rotating.
- Always be aware of the power cord's location and keep clear of the area you are working in. Cords may become a trip hazard to the operator. Cords that are in the cutting path may be cut by the edger.
- Never stand or have any part of your body in line with the path of the edger blade.
- A coasting blade can cause injury while it continues to spin after the motor is stopped or throttle trigger released. Maintain proper control until the blade has completely stopped rotating.
- Do not leave product unattended.
- If the power supply cord is damaged, it must be replaced only by the manufacturer or by an authorized service center to avoid risk.
- Save these instructions. Refer to them frequently and use them to instruct others who may use this tool. If you loan someone this tool, loan them these instructions also to prevent misuse of the product and possible injury.




SYMBOLS

Some of the following symbols may be used on this product. Please study them and learn their meaning. Proper interpretation of these symbols will allow you to operate the product better and safer.

SYMBOL	NAME	DESIGNATION/EXPLANATION
V	Volts	Voltage
A	Amperes	Current
Hz	Hertz	Frequency (cycles per second)
W	Watt	Power
min	Minutes	Time
~	Alternating Current	Type of current
≡	Direct Current	Type or a characteristic of current
	Class II Construction	Double-insulated construction
	Wet Conditions Alert	Do not expose to rain or use in damp locations.
	Read The Operator's Manual	To reduce the risk of injury, user must read and understand operator's manual before using this product.
	Safety Alert	Precautions that involve your safety.
	Keep Bystanders Away	Keep all bystanders at least 50 ft. away.
	Eye Protection	Always wear safety goggles or safety glasses with side shields and, as necessary, a full face shield when operating this product.
	Long Hair	Failure to keep long hair away from the air inlet could result in personal injury.
	Loose Clothing	Failure to keep loose clothing from being drawn into air intake could result in personal injury.
	Ricochet	Thrown objects can ricochet and result in personal injury or property damage.
	Sharp Blade	Danger – Keep hands and feet away from blade.
	No Hands Symbol	Failure to keep your hands away from the blade will result in serious personal injury.

SYMBOLS

The following signal words and meanings are intended to explain the levels of risk associated with this product.

SYMBOL	SIGNAL	MEANING
	DANGER:	Indicates an imminently hazardous situation, which, if not avoided, will result in death or serious injury.
	WARNING:	Indicates a potentially hazardous situation, which, if not avoided, could result in death or serious injury.
	CAUTION:	Indicates a potentially hazardous situation, which, if not avoided, may result in minor or moderate injury.
	CAUTION:	(Without Safety Alert Symbol) Indicates a situation that may result in property damage.

SERVICE

Servicing requires extreme care and knowledge and should be performed only by a qualified service technician. For service we suggest you return the product to your nearest **AUTHORIZED SERVICE CENTER** for repair. When servicing, use only identical replacement parts.



WARNING:

To avoid serious personal injury, do not attempt to use this product until you read thoroughly and understand completely the operator's manual. If you do not understand the warnings and instructions in the operator's manual, do not use this product. Call Homelite customer service for assistance.



WARNING:



The operation of any power tool can result in foreign objects being thrown into your eyes, which can result in severe eye damage. Before beginning power tool operation, always wear safety goggles or safety glasses with side shields and, when needed, a full face shield. We recommend Wide Vision Safety Mask for use over eyeglasses or standard safety glasses with side shields. Always use eye protection which is marked to comply with ANSI Z87.1.

SAVE THESE INSTRUCTIONS

ELECTRICAL

DOUBLE INSULATION

Double insulation is a concept in safety in electric power tools, which eliminates the need for the usual three-wire grounded power cord. All exposed metal parts are isolated from the internal metal motor components with protecting insulation. Double insulated tools do not need to be grounded.

⚠ WARNING:

The double insulated system is intended to protect the user from shock resulting from a break in the tool's internal insulation. Observe all normal safety precautions to avoid electrical shock.

NOTE: Servicing of a product with double insulation requires extreme care and knowledge of the system and should be performed only by a qualified service technician. For service, we suggest you return the product to your nearest authorized service center for repair. Always use original factory replacement parts when servicing.

ELECTRICAL CONNECTION

This product has a precision-built electric motor. It should be connected to a **power supply that is 120 volts, AC only (normal household current), 60 Hz.** Do not operate this product on direct current (DC). A substantial voltage drop will cause a loss of power and the motor will overheat. If the product does not operate when plugged into an outlet, double-check the power supply.

EXTENSION CORDS

See Figure 1.

When using a power tool at a considerable distance from a power source, be sure to use an extension cord that has the capacity to handle the current the product will draw. An undersized cord will cause a drop in line voltage, resulting in overheating and loss of power. Use the chart to determine the minimum wire size required in an extension cord. Only round jacketed cords listed by Underwriter's Laboratories (UL) should be used.

When working outdoors with a product, use an extension cord that is designed for outside use. This type of cord is designated with "WA" on the cord's jacket.

A proper extension cord is available at an authorized service center.

It is possible to tie the extension cord and power cord in a knot to prevent them from becoming disconnected during use. Make the knot as shown in figure 1, then connect the plug end of the power cord into the receptacle end of the extension cord. This method can also be used to tie two extension cords together.

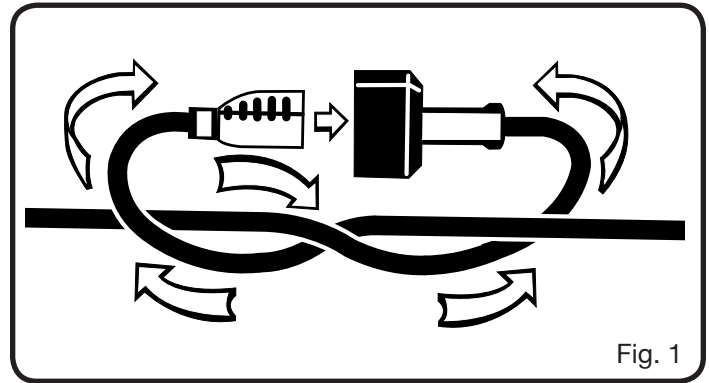


Fig. 1

**Ampere rating (on product data plate)

Cord Length	Wire Size (A.W.G.)					
	0-2.0	2.1-3.4	3.5-5.0	5.1-7.0	7.1-12.0	12.1-16.0
25'	16	16	16	16	14	14
50'	16	16	16	14	14	12
100'	16	16	14	12	10	—

**Used on 12 gauge - 20 amp circuit.

NOTE: AWG = American Wire Gauge

⚠ WARNING:

Keep the extension cord clear of the working area. Position the cord so that it will not get caught on lumber, tools, or other obstructions while you are working with a power tool. Failure to do so can result in serious personal injury.

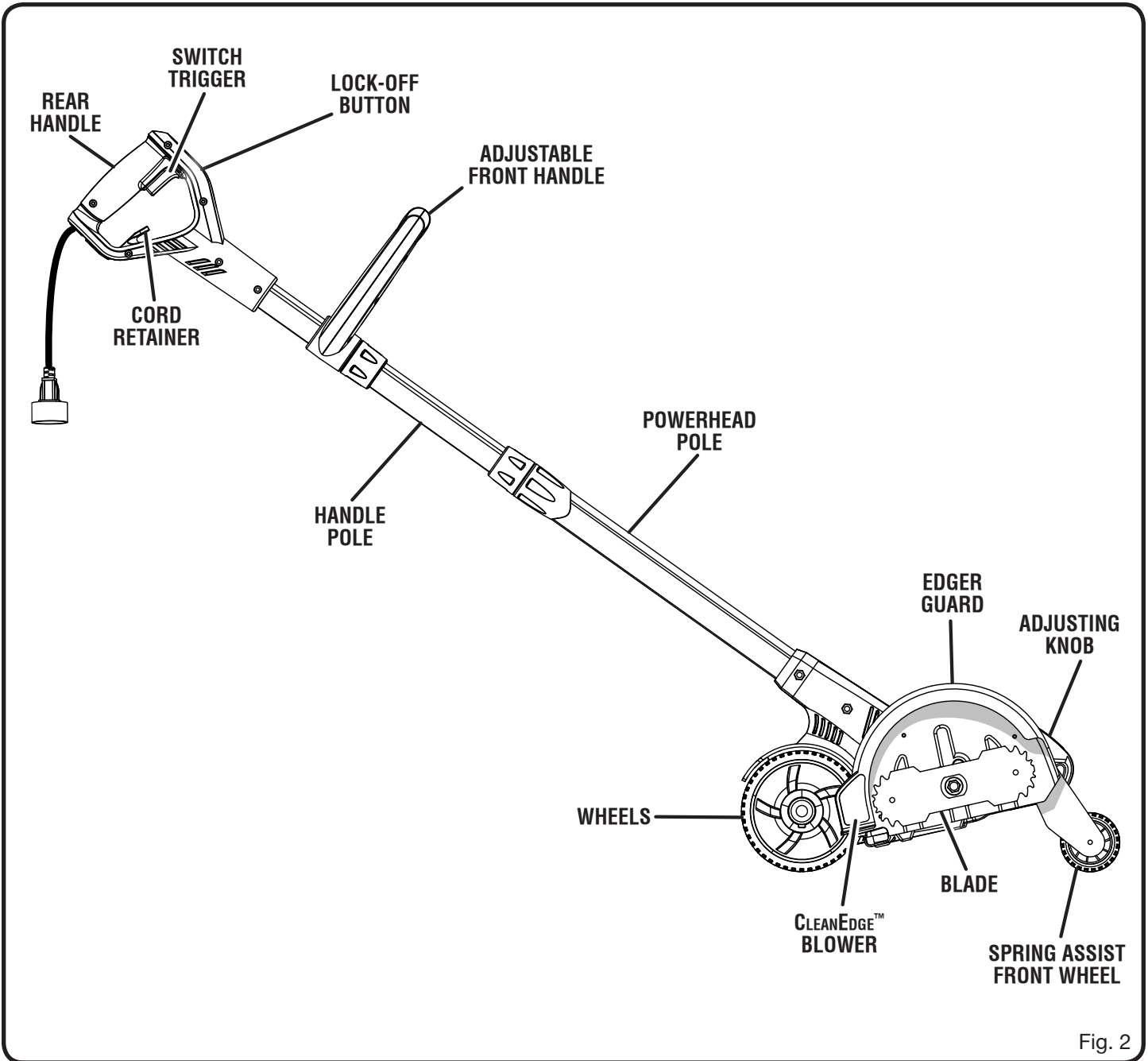
⚠ WARNING:

Check extension cords before each use. If damaged replace immediately. Never use the product with a damaged cord since touching the damaged area could cause electrical shock resulting in serious injury.

FEATURES

PRODUCT SPECIFICATIONS

Weight 14.6 lbs.
Input 120 V, AC only, 60 Hz, 12 Amps
Blade Length 8 in.



FEATURES

KNOW YOUR EDGER / TRENCHER

See Figure 2.

The safe use of this product requires an understanding of the information on the tool and in this operator's manual as well as a knowledge of the project you are attempting. Before use of this product, familiarize yourself with all operating features and safety rules.

CLEANEDGE™ BLOWER

The CleanEdge™ blower, at the base of the edger, is designed to blow debris from the blade area while edging paved surfaces.

CORD RETAINER

A convenient cord retainer helps keep the extension cord connection secure during tool operation.

FRONT HANDLE

For ease of operation, the edger is equipped with a front handle.

LAWN EDGING AND TRENCHING

The edger blade can be adjusted to depths that allow for either lawn edging or for trenching.

LOCK-OFF BUTTON

The lock-off button reduces the possibility of accidental starting.

SPRING ASSIST FRONT WHEEL

The spring assist front wheel allows the user to determine the depth of the edger blade.

TELESCOPING SHAFT

The shaft can be adjusted to different lengths for ease of use.

WHEELS

The front wheel and rear wheels are designed to fit snugly on top of curbs for improved edging.

ASSEMBLY

UNPACKING

This product requires assembly.

- Carefully remove the product and any accessories from the box. Make sure that all items listed in the packing list are included.
- Inspect the product carefully to make sure no breakage or damage occurred during shipping.
- Do not discard the packing material until you have carefully inspected and satisfactorily operated the product.
- If any parts are damaged or missing, please call 1-800-242-4672 for assistance.

PACKING LIST

Edger/Trencher
Wrench
Operator's Manual

WARNING:

If any parts are damaged or missing, do not operate this product until the parts are replaced. Failure to heed this warning could result in serious personal injury.

WARNING:

Do not attempt to modify this product or create accessories not recommended for use with this product. Any such alteration or modification is misuse and could result in a hazardous condition leading to possible serious personal injury.

WARNING:

Do not connect to power supply until assembly is complete. Failure to comply could result in accidental starting and possible serious personal injury.

ASSEMBLY

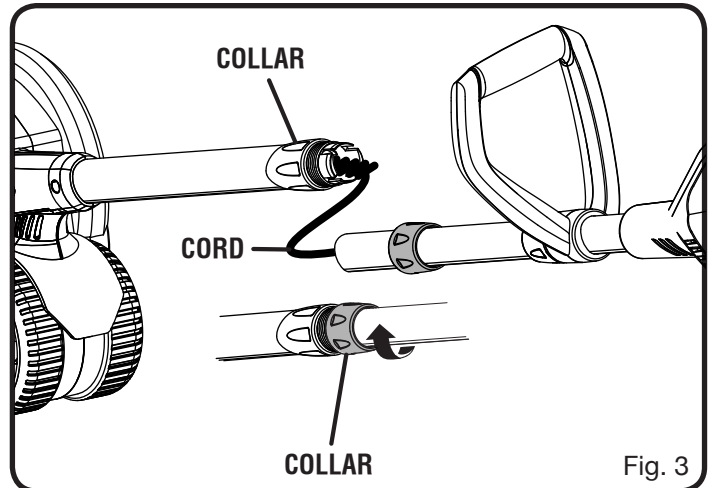
CONNECTING THE POLES

See Figure 3.

Before using the edger, a one-time assembly is required. When removed from the box, the two poles are connected by an electrical cord as shown above.

- Remove packaging material from cord and discard.
- Slide the handle pole into the lower powerhead pole end until you hear the button click. The tubes are egg-shaped and will only install one way.
- Lower the collar on the handle pole end to the threaded base on the powerhead pole end and rotate clockwise to secure.

NOTE: Handle pole and powerhead pole should not be able to separate from each other once assembled correctly. Repeat above steps if poles can be separated.



⚠ DANGER:

Failure to lock powerhead pole as directed above could result in serious injury or death.

OPERATION

⚠ WARNING:

Do not allow familiarity with this product to make you careless. Remember that a careless fraction of a second is sufficient to inflict serious injury.

⚠ WARNING:

Always wear safety goggles or safety glasses with side shields when operating power tools. Failure to do so could result in objects being thrown into your eyes, resulting in possible serious injury.

⚠ WARNING:

Do not use any attachments or accessories not recommended by the manufacturer of this product. The use of attachments or accessories not recommended can result in serious personal injury.

APPLICATIONS

You may use this product for the purpose listed below:

- Edging around walkways, driveways, curbs, and flower beds
- Trenching

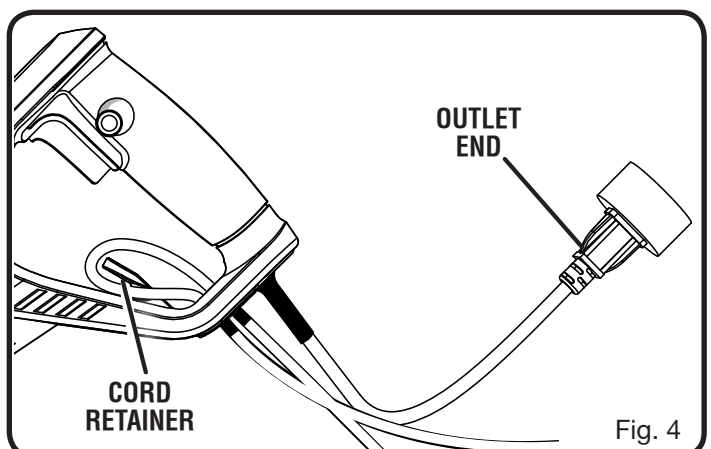
CONNECTING TO POWER SUPPLY

See Figure 4.

This product is designed with a cord retainer that prevents the extension cord from being pulled loose while using.

- Form a loop with the end of the extension cord.
- Insert loop portion of extension cord through opening in the bottom of the rear handle and place over cord retainer.
- Slowly pull loop against cord retainer until the slack is removed.
- Plug product into extension cord.

NOTE: Failure to remove all excess cord slack from extension cord retainer could result in plug loosening from receptacle.



OPERATION

STARTING AND STOPPING

See Figure 4.

To start the motor:

- Connect the edger to power supply.
- Fully depress the lock-off button.
- Fully depress the switch trigger.
- Release the lock-off button.

To stop the motor:

- Release the switch trigger.

ADJUSTING TELESCOPING POLE

See Figure 5.

- Disconnect the edger from the power supply.
- Rotate the collar counterclockwise to loosen.
- Push poles towards each other to shorten the pole or pull away from each other to lengthen the pole.
- When the desired length is achieved, rotate the collar clockwise to secure.

NOTE: Adjust hand placement on the shaft of the edger to keep proper balance. Do not attempt to use the edger at a length which does not allow you to achieve proper footing and balance at all times.

ADJUSTING DEPTH OF CUT

See Figures 6 - 7.

The depth of cut is determined by the distance from the bottom of the wheel to the tip of blade.

To adjust the blade depth:

- Stop the motor and unplug the edger.
- Loosen the adjusting knob and move the wheel up to increase the depth or down to decrease the depth.
- After adjustment is complete, tighten the adjusting knob securely.

NOTE: Adjust the blade depth from 1/2 in. to 1 in. deep initially. Make a shallow cut to test the cutting depth. If the cutting depth needs adjusting, this should be done progressively until the desired depth is reached. To increase blade life span, keep initial cutting depth at minimum and increase depth setting only as blade wears.

USING THE EDGER

When using the edger, hold the unit with your right hand on the rear handle and your left hand on the front handle. Keep a firm grip with both hands while in operation. The edger should be held at a comfortable position with the handle about hip height.

OPERATING TIPS

- The edger will edge along sidewalks, driveways, flower beds, and curbs.
- Cut at a steady pace. If the blade begins to bog down, you are edging too fast; slow your pace. Do not force the blade into the ground.

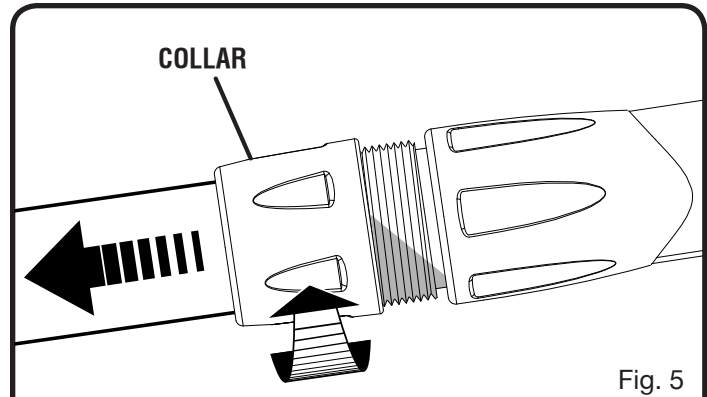


Fig. 5

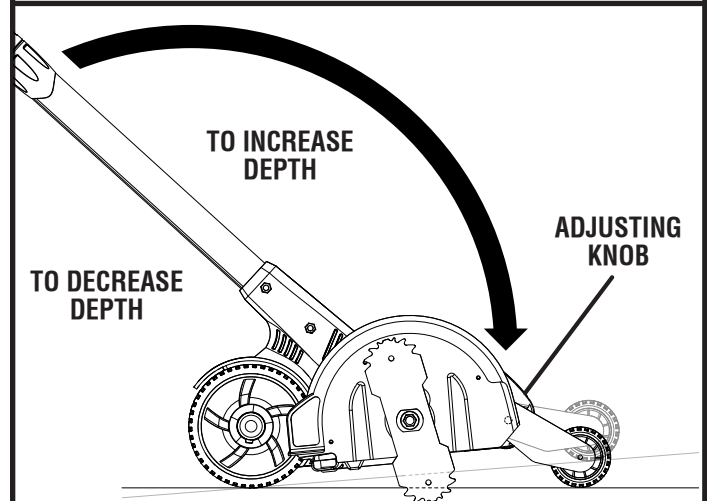


Fig. 6

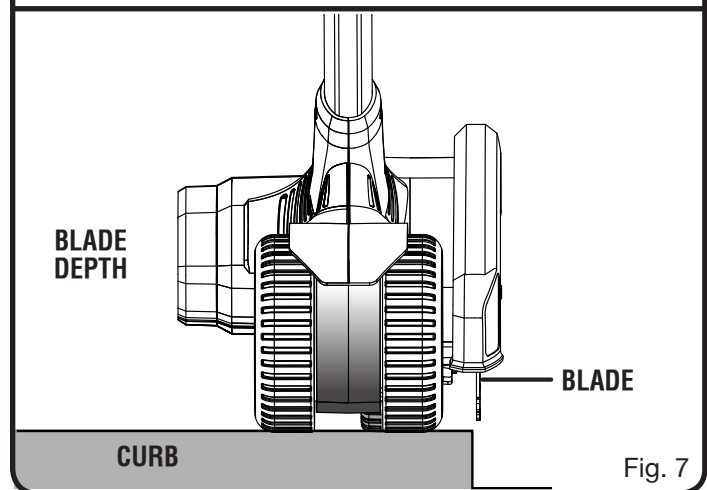


Fig. 7

- Light contact of the blade against the sidewalk edge, curb, etc., is acceptable and will not damage the edger.
- Best appearance is obtained when grass is dry. Avoid edging in wet soil or wet grass areas or the blade guard might clog and result in an uneven edge. If the blade guard becomes clogged, stop the motor, unplug the edger, wait for blade to stop rotating, and remove debris from the blade guard.

MAINTENANCE

WARNING:

When servicing, use only identical replacement parts. Use of any other parts may create a hazard or cause product damage.

WARNING:

Always wear safety goggles or safety glasses with side shields during power tool operation or when blowing dust. If operation is dusty, also wear a dust mask.

WARNING:

Before inspecting, cleaning or servicing the unit, stop the motor, wait for all moving parts to stop, and disconnect from power supply. Failure to follow these instructions can result in serious personal injury or property damage.

GENERAL MAINTENANCE

Avoid using solvents when cleaning plastic parts. Most plastics are susceptible to damage from various types of commercial solvents and may be damaged by their use. Use clean cloths to remove dirt, dust, oil, grease, etc.

WARNING:

Do not at any time let brake fluids, gasoline, petroleum-based products, penetrating oils, etc., come in contact with plastic parts. Chemicals can damage, weaken, or destroy plastic, which may result in serious personal injury.

Stop the motor and unplug the edger whenever you leave the operating position. Unplug the edger before unclogging the blade guard or when making a repair, adjustment, inspection, etc.

Keep all nuts, bolts, and screws tight.

You can often make adjustments and repairs described here. For other repairs, have the product serviced by an authorized service dealer.

WARNING:

Do not attempt to sharpen blade. Failure to heed this warning could result in serious personal injury or property damage.

REPLACING THE BLADE

See Figures 8 - 9.

NOTE: Always ask for replacement blade model number AC45E.

Replace blades that are damaged or worn. To increase blade life span, keep initial cutting depth at minimum and increase depth setting only as blade wears.

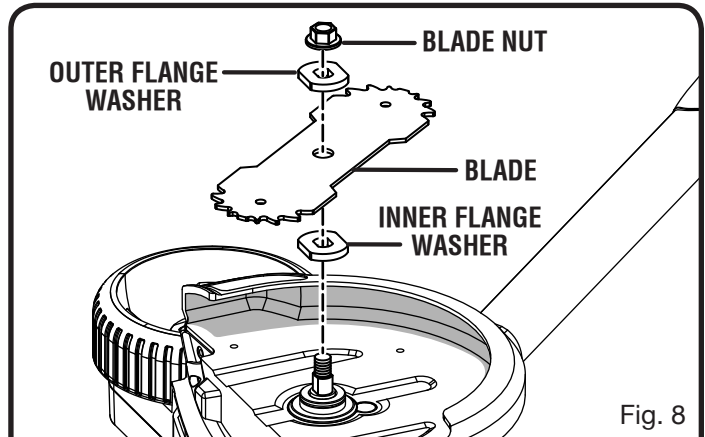


Fig. 8

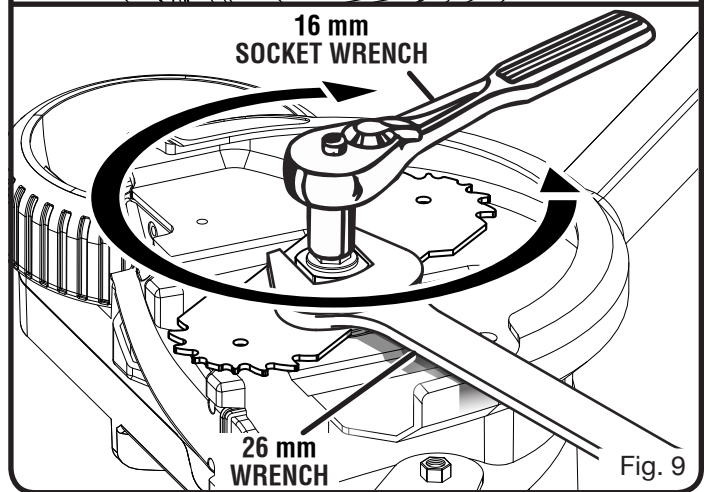


Fig. 9

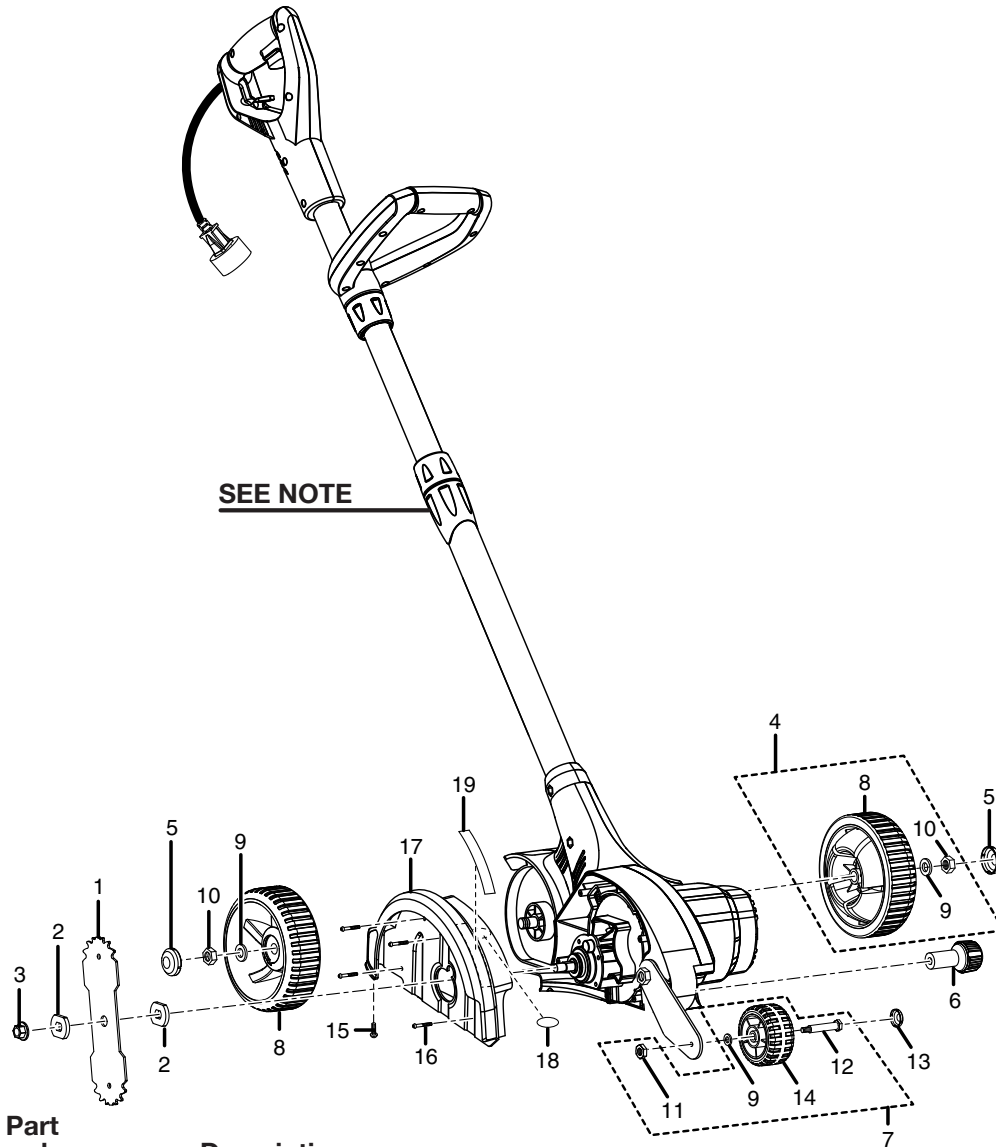
- Stop the motor and unplug the edger.
- Using a 26 mm wrench, hold the inner flange washer.
- Using a 16 mm socket wrench, turn the blade nut counterclockwise to loosen.
- Remove blade nut, outer flange washer, blade, and inner flange washer.
- Reinstall the inner flange washer onto the edger shaft.
- Center the new blade on the inner flange washer, making sure the blade sits flat.
- Install the outer flange washer onto the edger shaft.
- Using a 26 mm wrench, hold the inner flange washer.
- Install the blade nut onto the edger shaft.
- Using a 16 mm socket wrench, turn the blade nut clockwise and tighten securely.

NOTE: Always make sure the blade is correctly installed and securely fastened before each use.

STORING THE EDGER

- Depress telescoping shaft and set at shortest setting.
- Clean all foreign material from the edger.
- Store it in a place that is inaccessible to children.
- Keep away from corrosive agents such as garden chemicals and de-icing salts.

EXPLODED VIEW AND PARTS LIST



Key No.	Part Number	Description	Qty.
1	33301261G	Blade	1
2	3330418G	Blade Washer	2
3	3221037G	Blade Nut (M10).....	1
4	31202261G	Rear Wheel Set (Incl. Key Nos. 8-10)	1
5	34117261G	Rear Wheel Cap.....	2
6	34106261G	Depth Adjustment Knob	1
7	31203261G	Front Wheel Set (Incl. Key Nos. 9, 11-12 and 14)	1
8	31204261G	Wheel.....	2
9	33304261G	* Washer (M8).....	3
10	32208261G	* Lock Nut (M8)	2
11	32907152G	* Lock Nut (M6)	1
12	33283261G	Front Wheel Axle	1
13	34188261G	Front Wheel Cap.....	1
14	34111261G	Front Wheel	1
15	3220505G	* Screw (M4 x 16 mm).....	1
16	3220133G	* Screw (M4 x 50 mm).....	4
17	31108261G	Guard Assembly (Includes Key Nos. 18-19).....	1
18	38108261G	Warning Label.....	1
19	38104261G	Cutting Edge Label.....	1
	987000304	Operator's Manual	

NOTE: The assembly shown represents an important part of the Double Insulated System. To avoid the possibility of alteration or damage to the system, service should be performed by your nearest Homelite authorized service dealer.

* Standard Hardware Item – May Be Purchased Locally

TROUBLESHOOTING

PROBLEM	POSSIBLE CAUSE	SOLUTION
Motor fails to start when switch trigger is depressed.	<ol style="list-style-type: none">1. Power cord is not plugged in or connection is loose.2. Household circuit breaker is tripped.	<ol style="list-style-type: none">1. Plug in the power cord.2. Check circuit breaker.



MAKE THE MOST OF YOUR PURCHASE!

Go to www.homelite.com and register your new tool on-line.

Your product has been fully tested prior to shipment to ensure your complete satisfaction.

For any questions about operating or maintaining your product, call the Homelite Help Line!

To register your Homelite product or set up your eBox™ account by regular mail, please print the following information on a 3 in. x 5 in. card or standard postcard: your name, mailing address, phone numbers, email address, Homelite product(s) purchased with item number from package, and serial number for each product. Mail the card to: Homelite Consumer Products, Attn. Homelite Registration, 1428 Pearman Dairy Road, Anderson, SC 29625. To receive information on our company and products, please include the following statement on your registration card: "Send me information on your products and company using the contact information I am providing with this product registration."

WARRANTY

LIMITED WARRANTY STATEMENT

Homelite Consumer Products, Inc., (“Homelite”) warrants to the original retail purchaser that this HOMELITE brand outdoor product is free from defect in material and workmanship and agrees to repair or replace, at Homelite’s, discretion, any defective product free of charge within these time periods from the date of purchase.

- Two years for all models if used for personal, family, or household use;
- 90 days for any unit used for other purposes, such as rental or commercial.

This warranty extends to the original retail purchaser only and commences on the date of the original retail purchase.

Any part of the this product manufactured or supplied by Homelite and found in the reasonable judgment of Homelite to be defective in material or workmanship will be repaired or replaced without charge for parts and labor by a Homelite authorized service center.

The product, including any defective part, must be returned to an authorized service dealer within the warranty period. The expense of delivering the product to the dealer for warranty work and the expense of returning it back to the owner after repair or replacement will be paid by the owner. Homelite’s responsibility in respect to claims is limited to making the required repairs or replacements and no claim of breach of warranty shall be cause for cancellation or rescission of the contract of sale of any HOMELITE brand product. Proof of purchase will be required by the dealer to substantiate any warranty claim. All warranty work must be performed by a Homelite authorized service center.

This warranty is limited to ninety (90) days from the date of original retail purchase for any HOMELITE brand product that is used for rental or commercial purposes, or any other income-producing purpose.

This warranty does not cover any HOMELITE brand product that has been subject to misuse, neglect, negligence, or accident, or that has been operated in any way contrary to the operating instructions as specified in this operator’s manual. This warranty does not apply to any damage to the product that is the result of improper maintenance or to any product that has been altered or modified. The warranty does not extend to repairs made necessary by normal wear or by the use of parts or accessories which are either incompatible with the HOMELITE brand product or adversely affect its operation, performance, or durability. In addition, this warranty does not cover:

- A. Tune-ups – Spark Plugs, Carburetor, Carburetor Adjustments, Ignition, Filters

- B. Wear items – Bump Knobs, Outer Spools, Cutting Lines, Inner Reels, Starter Pulleys, Starter Ropes, Drive Belts, Tines, Felt Washers, Hitch Pins, Mulching Blades, Blower Fans, Blower and Vacuum Tubes, Vacuum Bags and Straps, Guide Bars, Saw Chains

Homelite reserves the right to change or improve the design of any HOMELITE brand product without assuming any obligation to modify any product previously manufactured.

ALL IMPLIED WARRANTIES ARE LIMITED IN DURATION TO THE STATED WARRANTY PERIOD. ACCORDINGLY, ANY SUCH IMPLIED WARRANTIES INCLUDING MERCHANTABILITY, FITNESS FOR A PARTICULAR PURPOSE, OR OTHERWISE, ARE DISCLAIMED IN THEIR ENTIRETY AFTER THE EXPIRATION OF THE APPROPRIATE TWO-YEAR, ONE-YEAR, OR NINETY-DAY WARRANTY PERIOD. HOMELITE’S OBLIGATION UNDER THIS WARRANTY IS STRICTLY AND EXCLUSIVELY LIMITED TO THE REPAIR OR REPLACEMENT OF DEFECTIVE PARTS AND HOMELITE DOES NOT ASSUME OR AUTHORIZE ANYONE TO ASSUME FOR THEM ANY OTHER OBLIGATION. SOME STATES DO NOT ALLOW LIMITATIONS ON HOW LONG AN IMPLIED WARRANTY LASTS, SO THE ABOVE LIMITATION MAY NOT APPLY TO YOU. HOMELITE ASSUMES NO RESPONSIBILITY FOR INCIDENTAL, CONSEQUENTIAL, OR OTHER DAMAGES INCLUDING, BUT NOT LIMITED TO, EXPENSE OF RETURNING THE PRODUCT TO AN AUTHORIZED HOMELITE SERVICE CENTER AND EXPENSE OF DELIVERING IT BACK TO THE OWNER, MECHANIC’S TRAVEL TIME, TELEPHONE OR TELEGRAM CHARGES, RENTAL OF A LIKE PRODUCT DURING THE TIME WARRANTY SERVICE IS BEING PERFORMED, TRAVEL, LOSS OR DAMAGE TO PERSONAL PROPERTY, LOSS OF REVENUE, LOSS OF USE OF THE PRODUCT, LOSS OF TIME, OR INCONVENIENCE. SOME STATES DO NOT ALLOW THE EXCLUSION OR LIMITATION OF INCIDENTAL OR CONSEQUENTIAL DAMAGES, SO THE ABOVE LIMITATION OR EXCLUSION MAY NOT APPLY TO YOU.

This warranty gives you specific legal rights, and you may also have other rights which vary from state to state.

This warranty applies to all HOMELITE brand products manufactured by or for Homelite and sold in the United States and Canada.

To locate your nearest Homelite authorized service center, dial 1-800-242-4672 or log on to our website at www.homelite.com.

NOTES

Homelite®

OPERATOR'S MANUAL

EDGER/TRENCHER

UT45100

SERVICE

For parts or service, contact your nearest Homelite authorized service dealer. Be sure to provide all relevant information when you call or visit. For the location of the authorized service dealer nearest you, please call 1-800-242-4672 or visit us online at www.homelite.com.

REPAIR PARTS

The model number of this tool is found on a plate or label attached to the housing. Please record the serial number in the space provided below.

MODEL NUMBER UT45100

SERIAL NUMBER _____

HOMELITE CONSUMER PRODUCTS, INC.

1428 Pearman Dairy Road
Anderson, SC 29625, USA
Tel.: 1-800-242-4672
www.homelite.com