

# Homelite®

## PARTS LIST

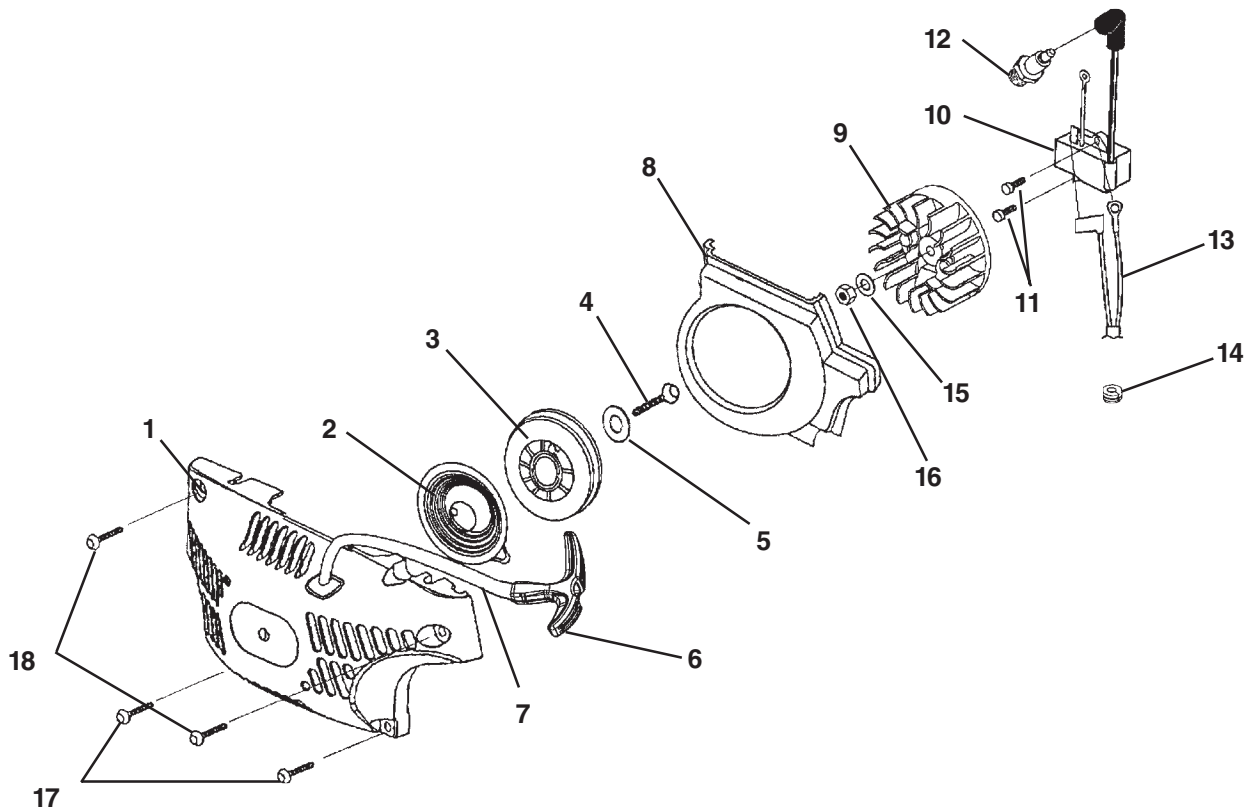


### MODEL

33 cc 14"

UT10901B

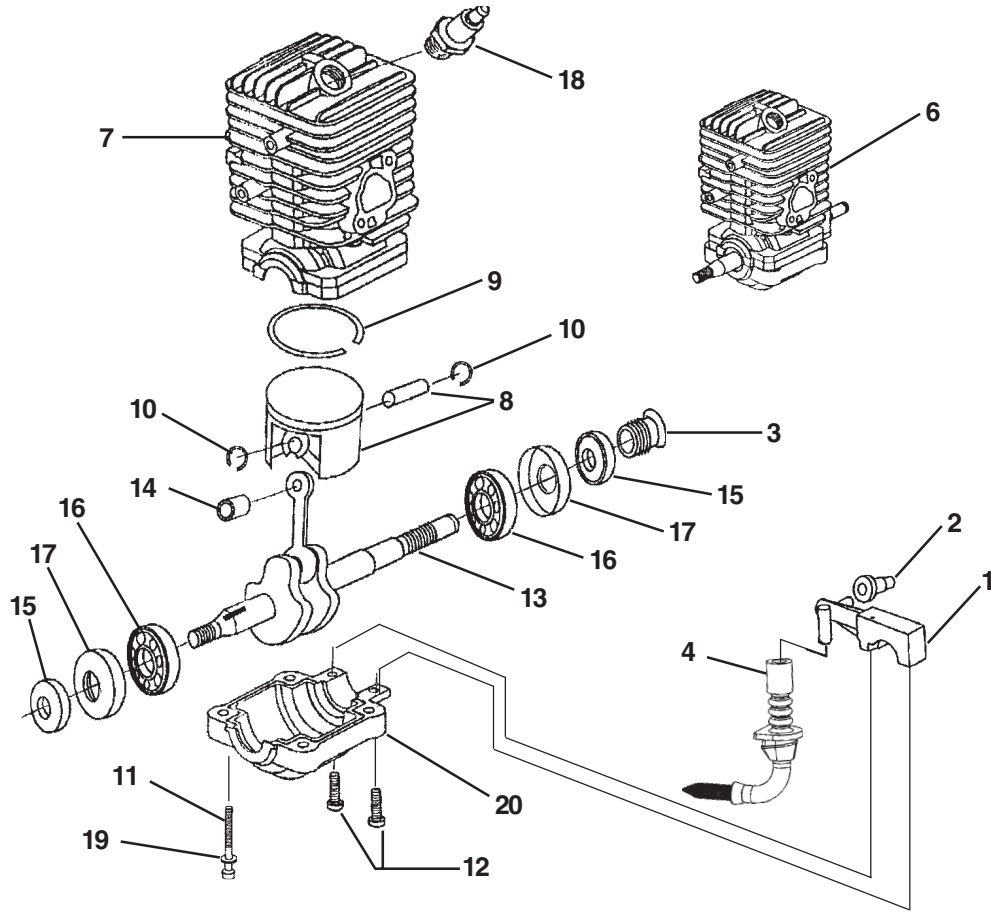
# STARTER - IGNITION



NO.	PART NO.	DESCRIPTION	QTY.
1	UP 06749 A	Starter Kit	1
2	A 97908	Spring & Container	1
3	PS 03117	Pulley, Starter	1
4	82621	Screw, Thread Form, Plastite (10-14 x 5/8")	1
5	94062	Washer, Retaining	1
6	PS 06114	Grip, Starter	1
7	9789901	Rope, Starter 46"	1
8	06876	Baffle, Fan Housing	1
9	986154001	Rotor & Starter Pawl	1
10	984882001	Ignition Kit ( <b>33cc models</b> )	1
11	82575	Screw, Thread Form (8-32 x 5/8")	2
12	PS 06216	Spark Plug	1
13	A 07602 A	Ignition Switch Harness	1
14	07587	Grommet, Wire Harness (Split)	1
15	PS 84065	Washer, Flat	1
16	985730001	Nut, Jam	1
17	82620	Screw, Truss Hd., Plastite (10-14 x 7/8")	2
18	82621	Screw, Truss Hd., Plastite (10-14 x 5/8")	2

ITEM NO.	TORQUE SPECS.		REQUIRED LOCTITE
	In.-Lbs.	Nm	
4	30-40	3.4-4.5	
11	30-40	3.4-4.5	242 Blue
12	120-180	13.6-20.3	
16	100-150	11.3-16.9	
17	30-40	3.4-4.5	
18	30-40	3.4-4.5	

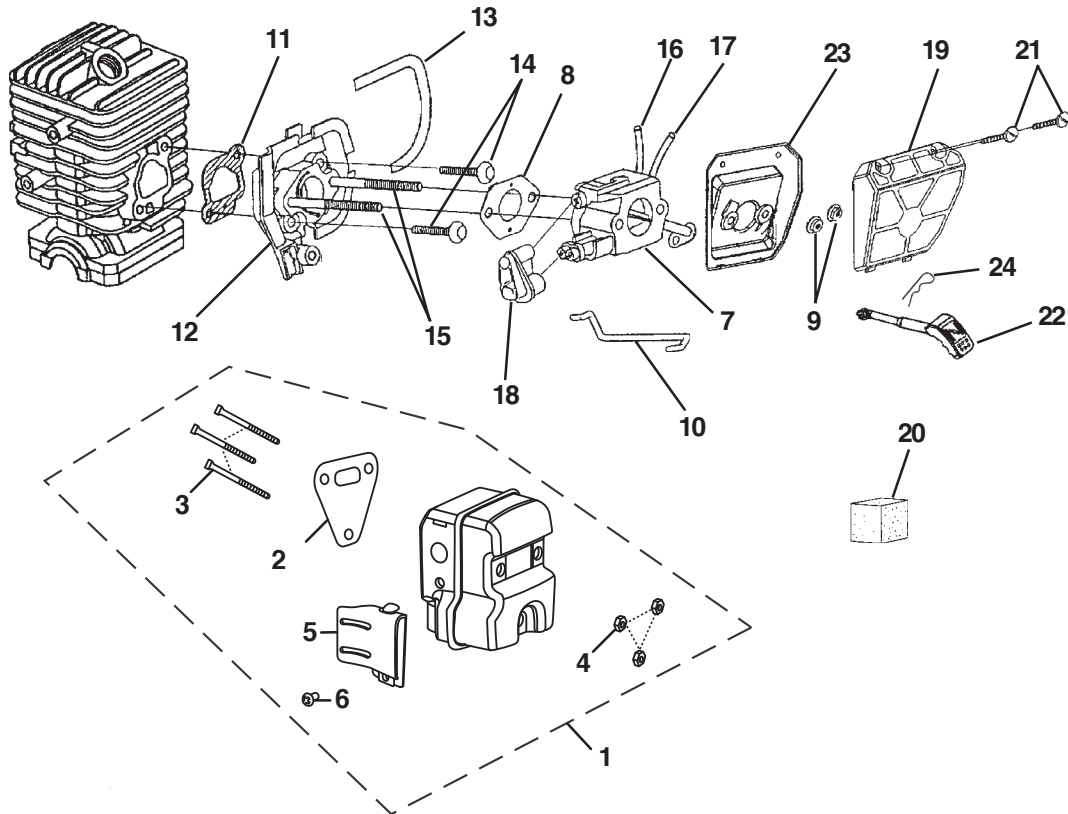
# ENGINE INTERNAL - OIL PUMP



NO.	PART NO.	DESCRIPTION	QTY.
1	•UP 06602	Oil Pump Kit	1
2	06841	Grommet, Oil Outlet	1
3	06847	Left Hand Worm	1
4	PA 01037	Oil Intake Tube w/Filter	1
6	•300984003	Short Block, Complete (33cc)	1
7	•640941004	Cylinder Kit (33cc)	1
	900848001	Gasket, Muffler (Not Shown)	1
	06840 A	Gasket, Heat Dam (Not Shown)	1
	98339	Gasket, Carburetor (Not Shown)	1
8	•640974002	Piston & Pin (33cc)	1
9	03179	Piston Ring	1
10	64813	Ring, Retaining	2
11	82527	Screw, Cap-Socket Hd. (10-24 x 2")	4
12	PS 04989	Screw, Pan Hd., (8-32 x 5/8")	2
13	300943003	Crankshaft & Rod Assembly	1
14	678196001	Bearing, Needle	1
15	04920	Shaft Seal	2
16	A 04931A	Bearing & Rubber Case	2
17	04919	Rubber Case	1
18	PS 06216	Spark Plug	1
19	84008	Washer	4
20	04909	Lower Crankcase	1

ITEM NO.	TORQUE SPECS.		REQUIRED LOCTITE
	In.-Lbs.	Nm	
11	65-75	7.3-8.5	262 Red
12	15-20	1.7-2.3	
18	120-180	13.6-20.3	

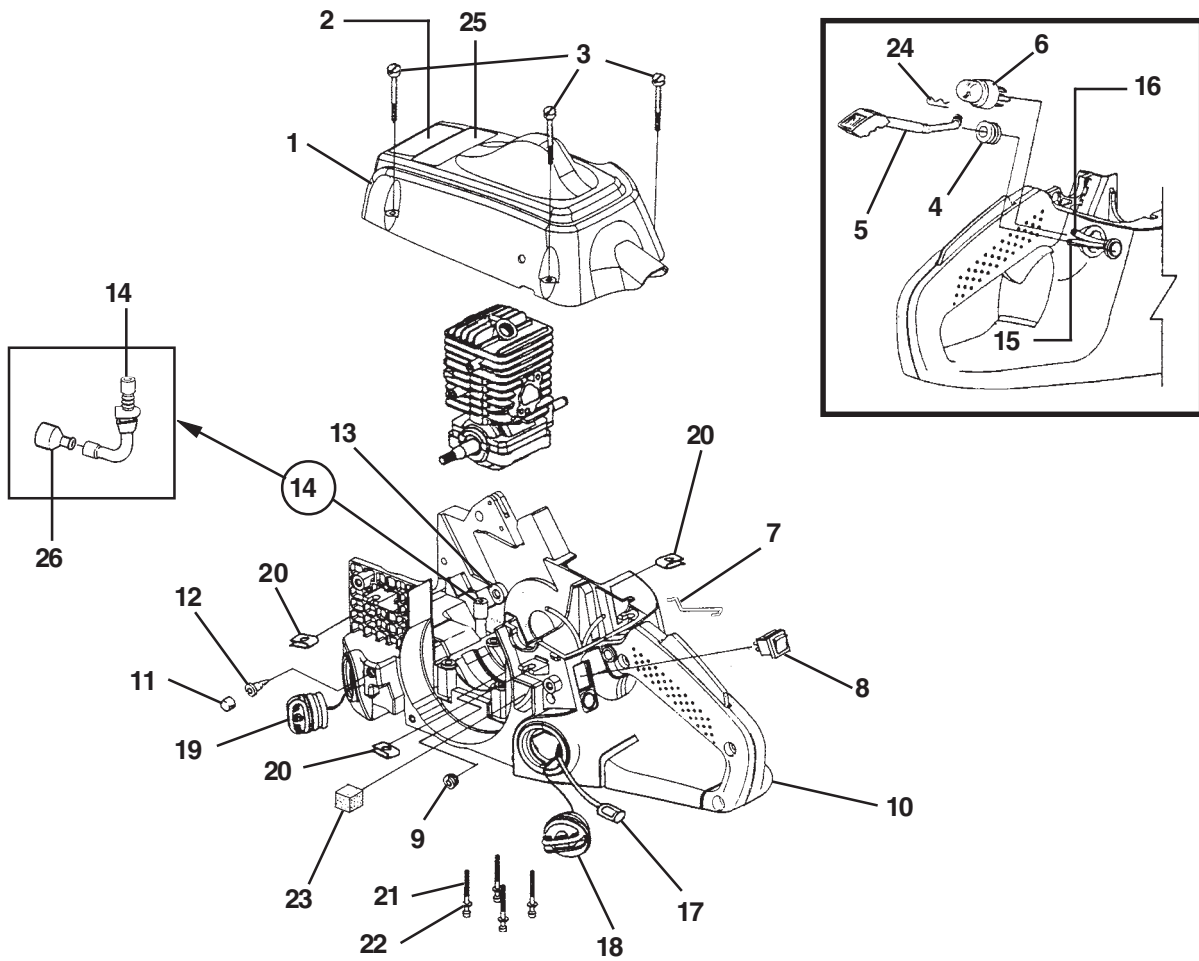
# CARBURETOR - MUFFLER - AIR FILTER



NO.	PART NO.	DESCRIPTION	QTY.
1	300940004	Muffler Kit	1
2	900848001	Muffler Gasket	1
3	PS 04525	Screw-Square Hd.	3
4	81206	Nut-Locking Hex (10-32)	3
5	PS 06075	Deflector, Muffler	1
6	95922	Screw (8-32 X .312 Pan Hd.)	1
7	300939004	Carburetor Assembly	1
8	98339	Carburetor Gasket	1
9	07589	Flange Nut (10-24)	2
10	PS 01591	Throttle Wire	1
11	06840 A	Gasket, Heat Dam	1
12	04916	Carburetor Spacer	1
13	06873	Seal, Heat Dam	1
14	983699011	Screw, Truss Hd. Taptite (10-24 x 7/8")	2
15	06852	Screw, Carburetor	2
16	0745434	Fuel Line (Tank to Carburetor 8 1/2")	1
17	0745408	Fuel Line (Carburetor to Purge Bulb 2")	1
18	04907	Carburetor Grommet	1
	UP 06753 A	Air Filter Kit	1
19	04938	Air Filter Cover	1
20	PS 05070	Pre Filter (In engine housing)	1
21	82617	Screw-Slotted Pan Hd. (8-16 x 5/8")	2
22	PS 06280	Rod, Choke	1
23	04937	Air Filter Plate	1
24	08939	Spring Clip (Choke Rod)	1

ITEM NO.	TORQUE SPECS.		REQUIRED LOCTITE
	In.-Lbs.	Nm	
4	50-60	5.6-6.7	
12	30-40	3.4-4.5	
17	45-55	5.0-6.2	Z62 Red
24	15-20	1.7-2.3	

# ENGINE HOUSING - FUEL TANK - OIL TANK

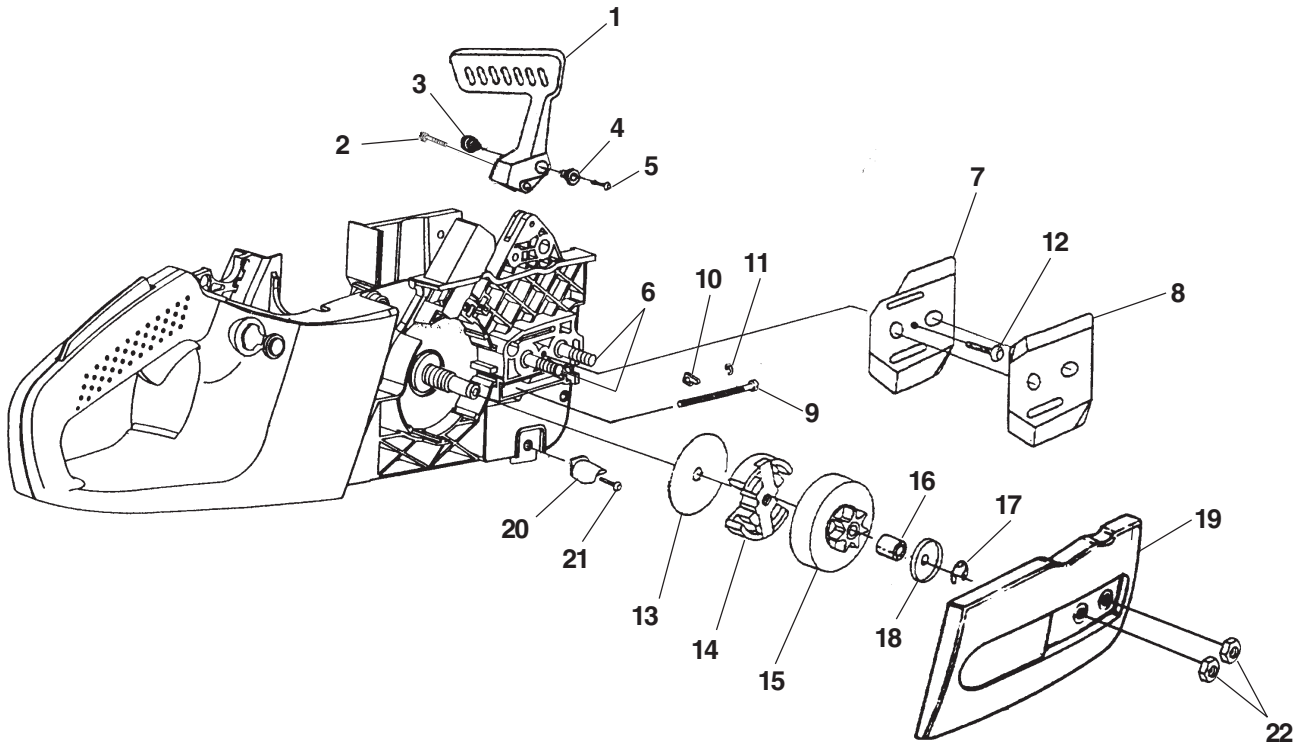


NO.	PART NO.	DESCRIPTION	QTY.
1	A 09162 A	Cylinder Cover Kit	1
2	PS06324	Safety Decal	1
3	07597	Screw-Slotted Pan Hd.	3
4	64862	Grommet	1
5	PS06280	Rod, Choke	1
6	01183	Bulb, Air Purge	1
7	PS01591	Throttle Wire	1
8	PS02369	Switch, Rocker	1
9	07587	Grommet-Split	1
10	UP 06751 A	Engine Housing	1
11	07403	Element, Filter (Bronze)	2
12	03134	Duck Bill Valve	2
13	06841	Oil Outlet Grommet	1
14	PA 01037	Oil Intake Tube	1
15	0745422	Rubber Tubing (5 1/2")	1
16	0745434	Rubber Tubing (8 1/2")	1
17	PS03380	Fuel Filter	1
18	DA07590	Fuel Cap w/ Retainer	1
19	DA07591	Oil Cap w/ Retainer	1
	A 68593	Oil Filter (See No. 26)	1
	PS04881	Guide Bar Bolt (Not Shown)	2
20	07598	Speed Nut ("U-Type")	3

NO.	PART NO.	DESCRIPTION	QTY.
21	82527	Screw, Cap-Socket Hd. (10-24 x 2")	4
22	84008	Washer	4
23	PS 05070	Pre Filter	1
24	08939	Spring Clip (Choke Rod)	1
25	PS 03893	Kickback-Decal	1
26	A 68593	Oil Filter	1

ITEM NO.	TORQUE SPECS. In.-Lbs.	TORQUE SPECS. Nm	REQUIRED LOCTITE
3	15-25	1.7-2.8	
21	65-75	7.3-8.5	262 Red

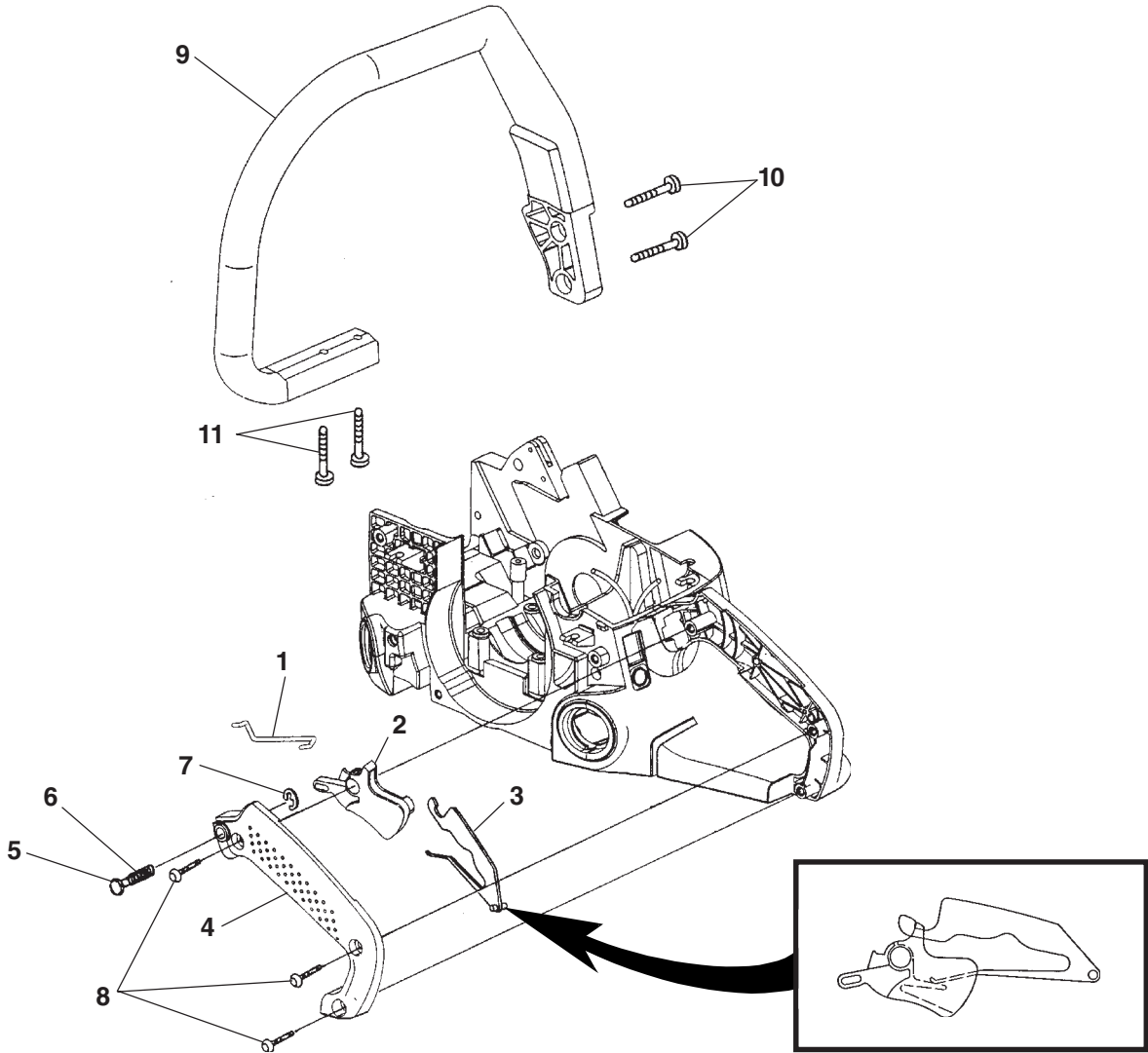
# CLUTCH - HAND GUARD - DRIVE CASE COVER



NO.	PART NO.	DESCRIPTION	QTY.
1	• UP 06568 A	Hand Guard Kit	1
2	82546	Screw-Thd. form. (#8-14 x .625)	1
3	07393	Pivot, L.H.	1
4	07392	Pivot, R.H.	1
5	82624	Screw, Hex Socket Hd. (8-32 x 5/8")	1
6	PS 04881	Guide Bar Bolt	2
	• UP 06966 A	Guide Bar Adjusting Kit	1
7	07404 A	Plate, Guide Bar	1
8	07405 A	Plate, Guide Bar	1
9	06844	Screw, Guide Bar Adjusting	1
10	06842	Pin, Guide Bar Adjusting	1
11	69599	Ring, Retaining	1
12	82513	Screw, Thread Form., Plastite (6-19 x 1/2")	1
13	04940	Thrust Washer	1
14	UP 06727 A	Clutch & Hardware	1
15	• UP 06967 A	Sprocket, Drum (3/8 Pitch)	1
16	PS 04669	Bearing, Needle	1
17	08981	Ring, Retaining	1
18	04939 A	Washer, Cupped	1
19	• UP 06975 A	Drive Case Cover	1
20	UP 05634 A	Stop, Chain	1
21	82563	Screw, Thread Form., Plastite (10-14 x 3/4")	1
22	81196	Nut, Hex	2

Item No.	Torque Specs		Required Loctite
	In.-Lbs.	Nm	
5	25-35	2.8-3.9	242 Blue
12	8-18	0.9-2.0	
14	130-180	14.7-20.3	
21	30-50	3.4-5.6	
22	Hand Tight		

# HANDLES



NO.	PART NO.	DESCRIPTION	QTY.
1	PS 01591	Throttle Wire	1
2	PS 0396801	Trigger, Throttle	1
3	PS 06283	Throttle Lock Out	1
4	•UP 06736 A	Handle Cover Kit	1
5	PS 0396701	Throttle Lock Pin	1
6	08898	Spring, Compression	1
7	58409	Ring, Retainer	1
8	82563	Screw, Thread Form., Plastite (10-14 x 3/4")	3
9	•UP 06974 A	Front Handle Kit	1
10	82537	Screw, Plastite (10-14 x 5/8")	2
11	82589	Screw, Truss Hd.	2

ITEM NO.	TORQUE SPECS.		REQUIRED LOCTITE
	In.-Lbs.	Nm	
8	30-40	3.4-4.5	
10	30-40	3.4-4.5	
11	30-40	3.4-4.5	

**ACCESSORIES**

**Guide Bar (Power Tip)**

**Chain**

14" ..... PS 06331 ..... 984296005

---

Sealant Silicon ..... PS 24823  
Rubber tubing (10') ..... 0745499  
Wrench - Combination ..... 09207  
Digital Tachometer ..... 18416  
Grease, Multi-purpose ..... 18453

Compression Tester ..... 94194  
Bit, Torx T27 ..... 1856601  
Carry Case ..... UP04562A  
Bumper Spike Kit ..... UP06732A  
Operator's manual ..... 983000807

For product information, technical help, dealer locations or parts ordering information visit our website at: [www.homelite.com](http://www.homelite.com).

**HOMELITE CONSUMER PRODUCTS, INC.**

1428 Pearman Dairy Road Anderson, SC 29625  
Post Office Box 1207, Anderson, SC 29622  
Phone 1-800-chainsa (1-800-242-4672)  
[www.homelite.com](http://www.homelite.com)