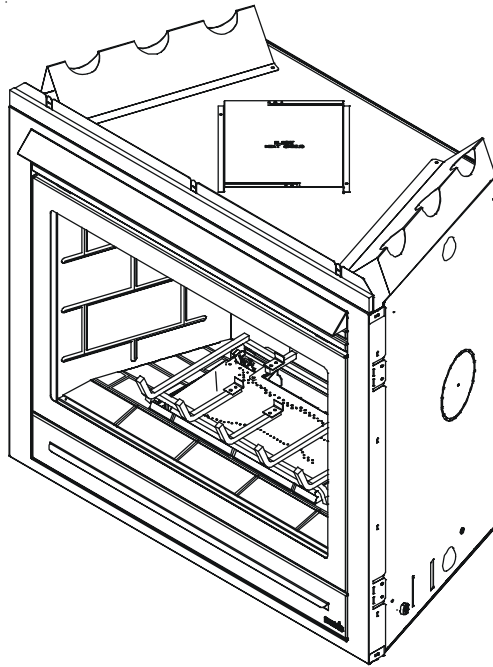


HEAT & GLO™

Where everything comes together

INSTALLATION AND OPERATION INSTRUCTIONS



MODEL: 6000TRSI-AUC

AUSTRALIAN GAS ASSOCIATION CERTIFIED

CERTIFICATE NUMBER 5668

**THIS MANUAL MUST BE USED FOR INSTALLATION AND RETAINED
BY HOMEOWNER FOR OPERATION AND MAINTENANCE.**

HEAT & GLO, a brand of Hearth & Home Technologies Inc.

20802 Kensington Boulevard, Lakeville, MN 55044, USA, www.heatglo.com

THIS PRODUCT MAY BE COVERED BY ONE OR MORE OF THE FOLLOWING PATENTS:

(United States) 4593510, 4686807, 4766876, 4793322, 4811534, 5000162, 5016609, 5076254, 5113843, 5191877, 5218953, 5263471, 5328356, 5341794, 5347983, 5429495, 5452708, 5542407, 5601073, 5613487, 5647340, 5688568, 5762062, 5775408, 5890485, 5931661, 5941237, 5947112, 5996575, 6006743, 6019099, 6048195, 6053165, 6145502, 6170481, 6237588, 6296474, 6374822, 6413079, 6439226, 6484712, 6543698, 6550687, 6601579, 6672860, 6688302B2, 6715724B2, 6729551, 6736133, 6748940, 6748942, D320652, D445174, D462436; (Canada) 1297749, 2195264, 2225408; (Australia) 543790;586383; (Mexico) 97-0457; (New Zealand) 200265; or other U.S. and foreign patents pending.



Where everything comes together

PLEASE READ THIS MANUAL BEFORE INSTALLING AND USING THIS APPLIANCE.

MODEL 6000TRSI-AUC IS AUSTRALIAN GAS ASSOCIATION APPROVED FOR NATURAL GAS OR PROPANE AS A BALANCED FLUE HEATER.

Refer to the appliance data plates for gas consumptions and pressures.

Installation of this appliance should only be carried out by an authorized person in accordance with the manufacturers instructions. All relevant codes and regulations laid down by the gas fitting authorities, municipal building regulations, electrical wiring regulations, and the requirements of the AGA Gas Installation Code must be observed.

This appliance and its components are tested and safe when installed in accordance with this Installation Manual. Report to your dealer any parts damaged in shipment, specifically check glass condition. The gas logs and flue system components are in separate packages. Read all instructions before

starting installation and follow these instructions carefully during installation to ensure maximum benefit and safety. Failure to follow them will void your warranty and may present a fire hazard.

The Heat & Glo warranty will be voided by, and Heat & Glo disclaims any responsibility for the following actions:

- Installation of any damaged heater or flue system component
- Modification of the heater or balanced flue system installation other than as instructed by Heat & Glo.
- Improper positioning of the gas logs or the glass door
- Installation and/or use of any component part not manufactured or approved by Heat & Glo, notwithstanding any independent testing laboratory or other party approval of such component part or accessory.

IMPORTANT: Read all instructions carefully before starting installation. Failure to follow these installation instructions may result in a possible fire hazard and will void the warranty. Save this manual for future reference.

Heat & Glo, a brand of Hearth & Home Technologies, Inc.
20802 Kensington Blvd., Lakeville, MN 55044, USA
Copyright 2006 • Printed in U.S.A.



Heat & Glo Quality Systems
registered by SGS ICS

TABLE OF CONTENTS

1.0 INSTALLATION INSTRUCTIONS	4
A. Locating the Heater	5
B. Framing the Heater	6
C. Flue System Approvals and Installations	8
D. Connecting the Gas Supply	18
E. Ignition System Wiring	19
F. Mantel Clearances	21
G. Log Placement	22
H. Installer Testing	24
2.0 OPERATING INSTRUCTIONS	24
A. Safety and Lighting Information	26
B. Power Outage	27
C. Fan Operation	27
3.0 SERVICING AND MAINTENANCE	28
A. Removal of Covers for Servicing	29
B. Removal of Components for Service	29
C. Parts Replacement	29
D. Adjustments and Replacement Parts	29
E. Troubleshooting	30
→ 4.0 REPLACEMENT PARTS	33
Limited Warranty	35

1.0 INSTALLATION INSTRUCTIONS

When planning a heater installation, it's necessary to determine:

- Where the unit is to be installed.
- The flue system configuration to be used.
- Gas supply piping.
- Electrical wiring.
- Framing and finishing details.

If the heater is to be installed on carpeting or tile, or on any combustible material other than wood flooring, the heater should be installed on a metal or wood panel that extends the full width and depth of the heater.

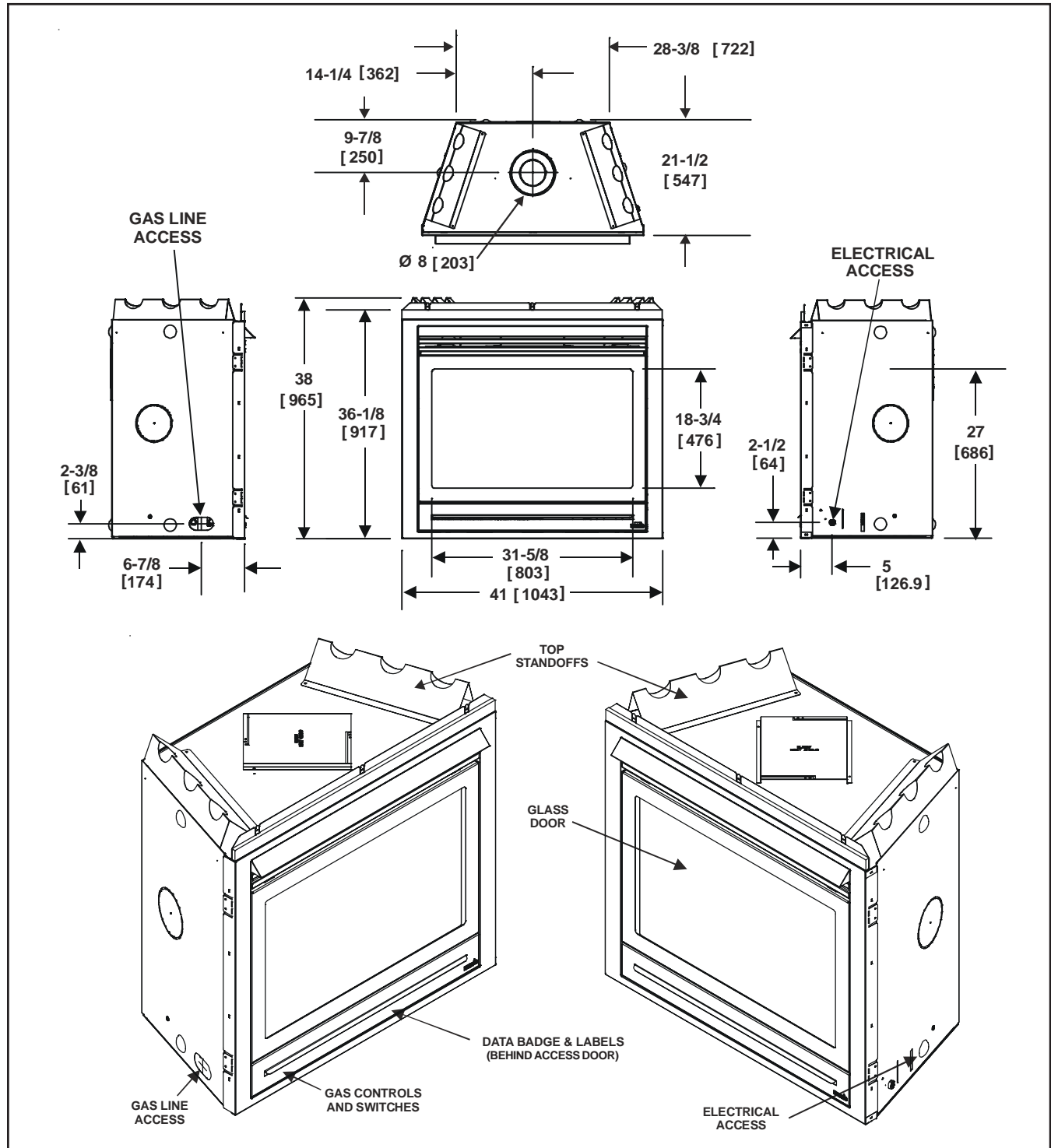
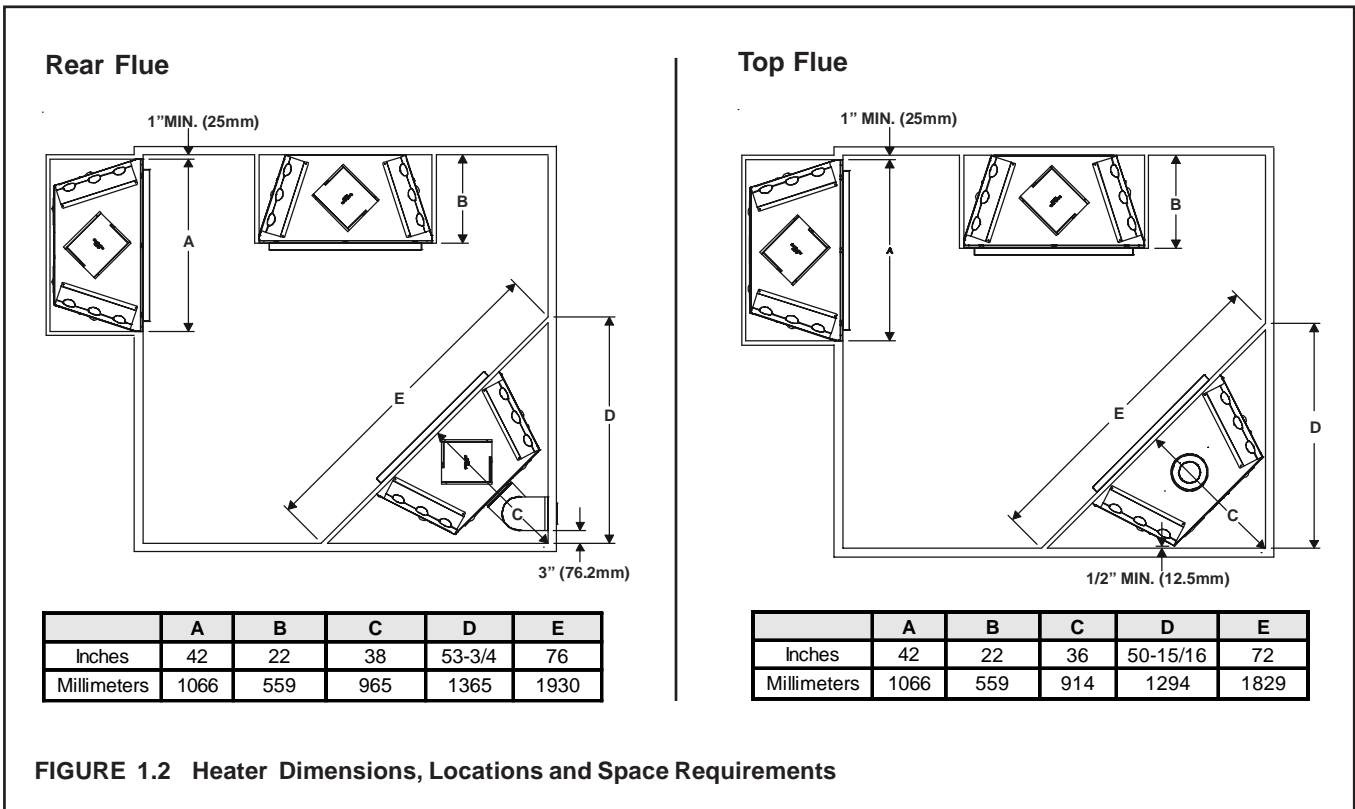


FIGURE 1.1 Diagram of the 6000 Series

A. Locating the Heater

The diagram (see Figure 1.2) shows space and clearance requirements for locating a heater within a room.



Minimum Clearances from the Heater to Combustible Materials					
Glass Front	Floor	Back of Heater	Sides of Heater	Top of Heater	Ceiling
36 inches (914 mm)	0	1/2 inch (13 mm)	1/2 inch (13 mm)	3-1/2 inches (89 mm)	31 inches (787 mm)

Clearance Requirements

The top, back, and sides of the heater are defined by standoffs.

The minimum clearance to a perpendicular wall extending past the face of the heater is one inch (25 mm).

For 6000 Series Models, the back of the heater may be recessed 21-1/2 inches (546 mm) into combustible construction.

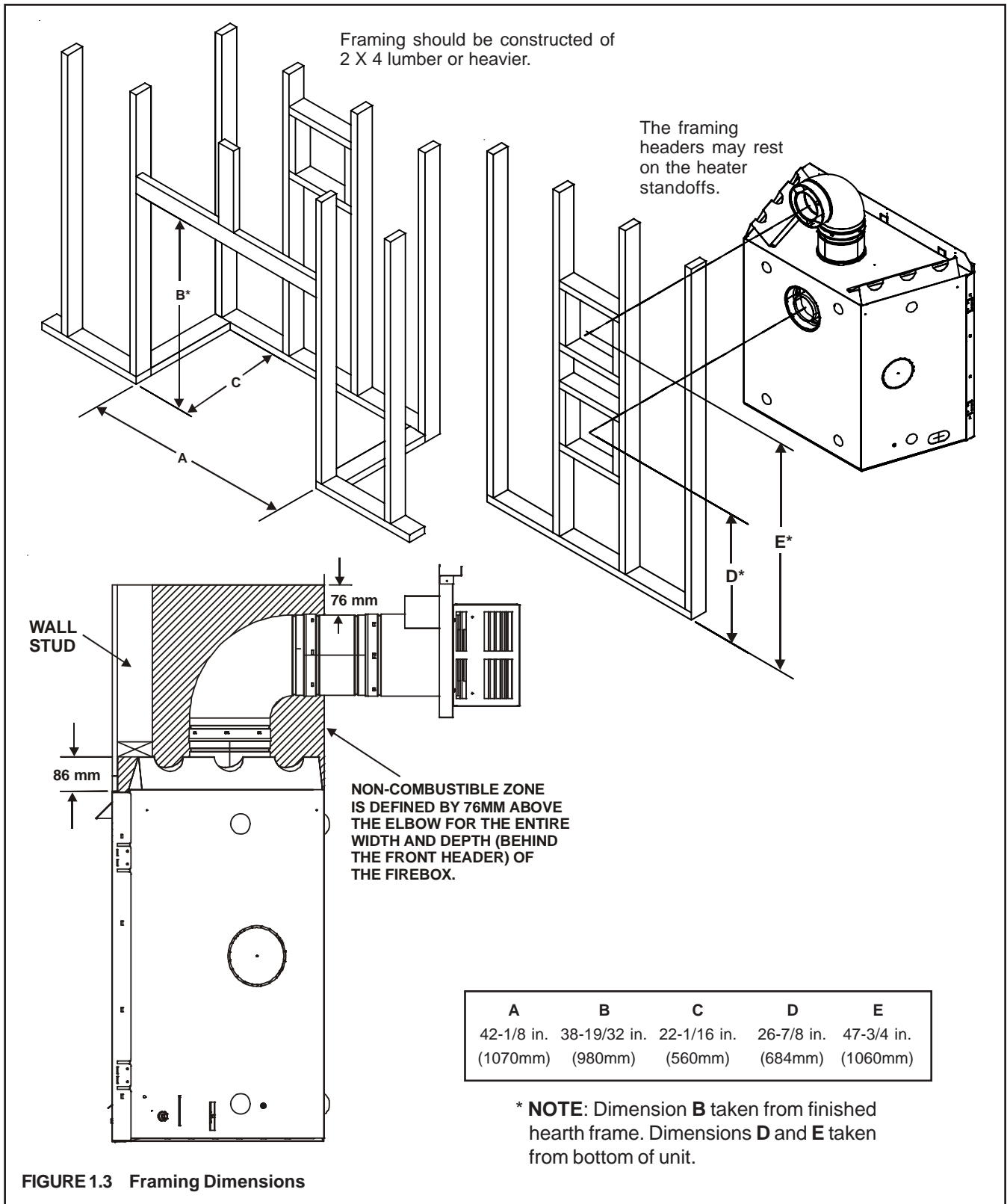
Minimum Clearances from the Flue Pipe to Combustible Materials						
For Horizontal Sections			For Vertical Sections	At Wall Firestops		
Top	Bottom	Sides		Top	Bottom	Sides
3 inches (75mm)	1 inch (25mm)	1 inch (25mm)	1 inch (25mm)	2-1/2 inches (63.7mm)	1/2 inch (13mm)	1 inch (25mm)

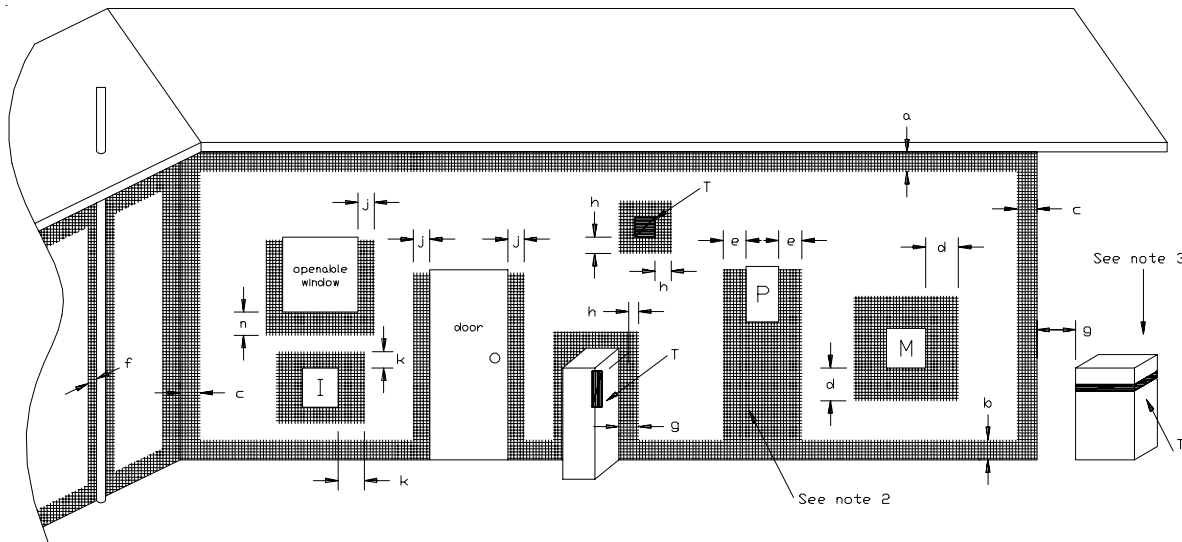
For minimum clearances, see the direct flue termination clearance diagrams on page 7.

B. Framing the Heater

Framing can be built before or after the heater is set in place. Framing should be positioned to accommodate wall coverings and heater facing material. The diagram below shows framing reference dimensions.

CAUTION: MEASURE HEATER DIMENSIONS AND VERIFY FRAMING METHODS AND WALL COVERING DETAILS, BEFORE FRAMING CONSTRUCTION BEGINS.





T = Flue terminal
 I = Mechanical air inlet
 M = Gas meter
 P = Electricity meter or fuse box
 Shading indicates prohibited areas for flue terminals

- a - Below eaves, balconies or other projections: **MIN. CLEARANCE (mm)**
 Appliances up to 50 MJ/h input 300
 Appliances over 50 MJ/h input 500
- b - From the ground or above a balcony 300
- c - From a return wall or external corner 500
- d - From a gas meter (M) 1000
- e - From an electricity meter or fuse box (P) 500
- f - From a drain or soil pipe 150
- g - Horizontally from any building structure (unless appliance approved for closer installation) or obstruction facing a terminal 500
- h - From any other flue terminal, cowl, or combustion air intake 500
- j - Horizontally from an openable window, door, non-mechanical air inlet, or any other opening into a building, with the exception of sub-floor ventilation:
 Appliances up to 150 MJ/h input 500
 Appliances over 150 MJ/h input 1500
- k - From a mechanical air inlet, including a spa blower 1500
- n - Vertically below an openable window, non-mechanical air inlet or any other opening into a building, with the exception of See table sub-floor ventilation below

CLEARANCES 'n' (mm)			
Space heaters	All other appliances		
Up to 50 MJ/h input	UP to 50 MJ/h input	Over 50 MJ/h & up to 150 MJ/h	Over 150 MJ/h input
150	500	1000	1500

- NOTES:**
- All distances are measured vertically or horizontally along the wall to a point in line with the nearest part of the terminal.
 - Prohibited area below electricity meter or fuse box extends to ground level.
 - See clause 5.13.6.6 for restrictions on a flue terminal under a roofed area.
 - See Appendix J, Figure J1(a) and J2(a) for clearances required from a flue terminal to a LP Gas cylinder. A flue terminal is considered to be a source of ignition.

MINIMUM CLEARANCES REQUIRED FOR BALANCED FLUE TERMINALS OR THE FLUE TERMINALS OF OUTDOOR APPLIANCES

FIGURE 1.4

C. FLUE SYSTEM APPROVALS AND INSTALLATIONS

MODEL	FLUE TERMINATION APPROVALS
6000TRSI-AUC	DVP-TRAP2, DVP-TVHW

TABLE 1

This model is approved to use DVP-Series flue pipe components. A **DVP-TRAP2** Termination Cap must be used to terminate flue systems in a horizontal position. A **DVP-TVHW** vertical Termination Cap must be used to terminate flue systems in a vertical position.

Figures 1.7 through 1.14 show the flue systems approved for these models. Approved flue system components are labeled for identification. **NO OTHER FLUE SYSTEMS OR COMPONENTS MAY BE USED.** Detailed installation instructions are included with each flue termination kit and should be used in conjunction with this manual.

WARNING: THIS GAS APPLIANCE AND FLUE ASSEMBLY MUST BE FLUED DIRECTLY TO THE OUTSIDE AND MUST NEVER BE ATTACHED TO A CHIMNEY SERVING A SEPARATE SOLID FUEL BURNING APPLIANCE. EACH GAS APPLIANCE MUST USE A SEPARATE FLUE SYSTEM-COMMON FLUE SYSTEMS ARE PROHIBITED.

CAUTION: UNDER NO CONDITION SHOULD COMBUSTIBLE MATERIAL BE CLOSER THAN 3 INCHES (2 1/2 INCHES AT WALL FIRESTOPS) FROM THE TOP OF THE 8 INCH PIPE OR 1- INCH TO THE SIDES AND THE BOTTOM FOR HORIZONTAL SECTIONS OF THIS FLUE SYSTEM. VERTICAL SECTIONS OF THIS SYSTEM REQUIRE A MINIMUM OF 1 INCH CLEARANCE TO COMBUSTIBLE MATERIALS ALL AROUND THE 8 INCH PIPE.

For alternative installations, other than depicted, contact your dealer for further information.

Refer to Figure 1.4 for required clearances to flue terminals.

VERTICAL FLUE RESTRICTOR

If the heater installation requires a vertical flue exceeding 4.5m above the unit with no horizontal flue or elbows a vertical flue restrictor must be installed (see Figure 1.5).

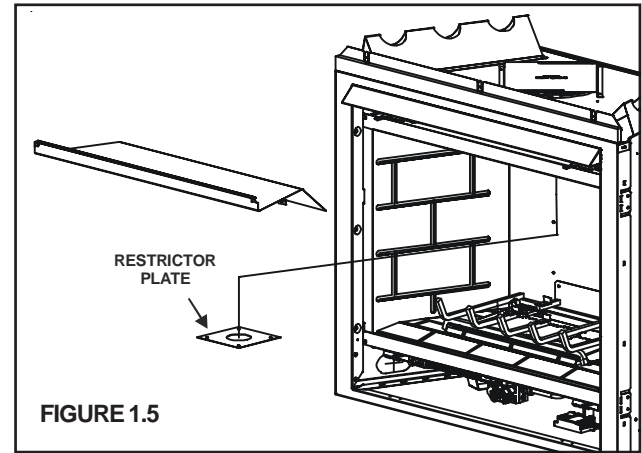


FIGURE 1.5

STRAIGHT UP VERTICAL FLUE SYSTEM

Figure 1.6 shows straight up vertical flue system approved for use on this model.

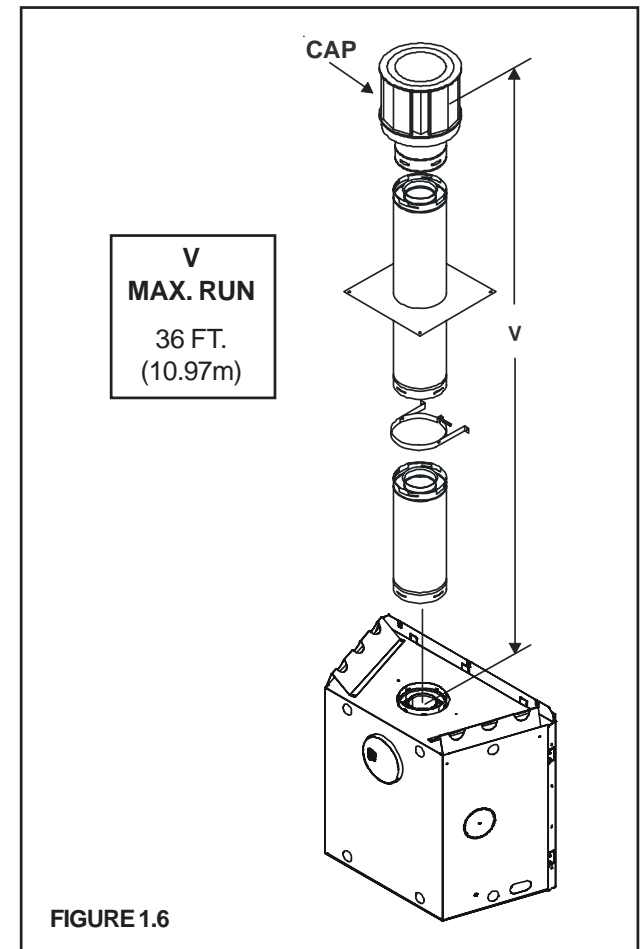
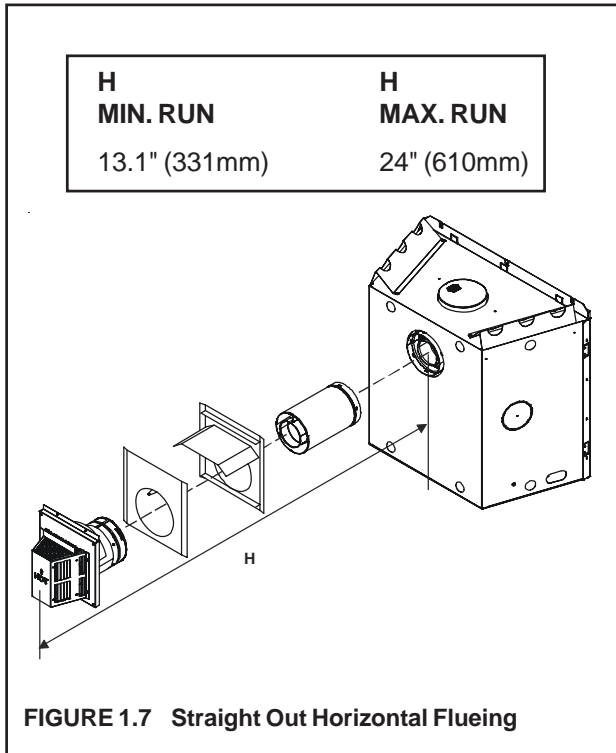


FIGURE 1.6

STRAIGHT OUT HORIZONTAL FLUE SYSTEM

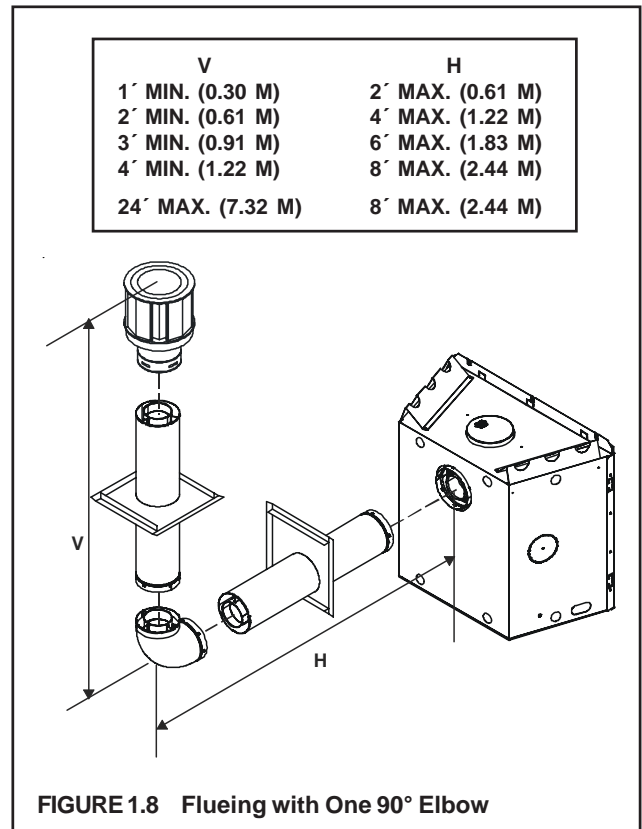
Figure 1.7 shows straight out horizontal flue systems approved for use on this model.



ELBOWS

The flue systems installed on this gas heater may also include one (1), two (2), or three (3) 90 - degree elbow assemblies.

Figures 1.8 through 1.14 and their corresponding tables show examples of flue configurations using elbows. The relationships of vertical rise to horizontal run in flue configurations using elbows **MUST** be strictly adhered to.



ONE (1) 90-DEGREE ELBOW

Figures 1.8 and 1.9 show an installation using one (1) 90-degree elbow. Dimension V is listed as **MINIMUM** vertical dimensions and dimension H is listed as corresponding **MAXIMUM** horizontal dimensions.

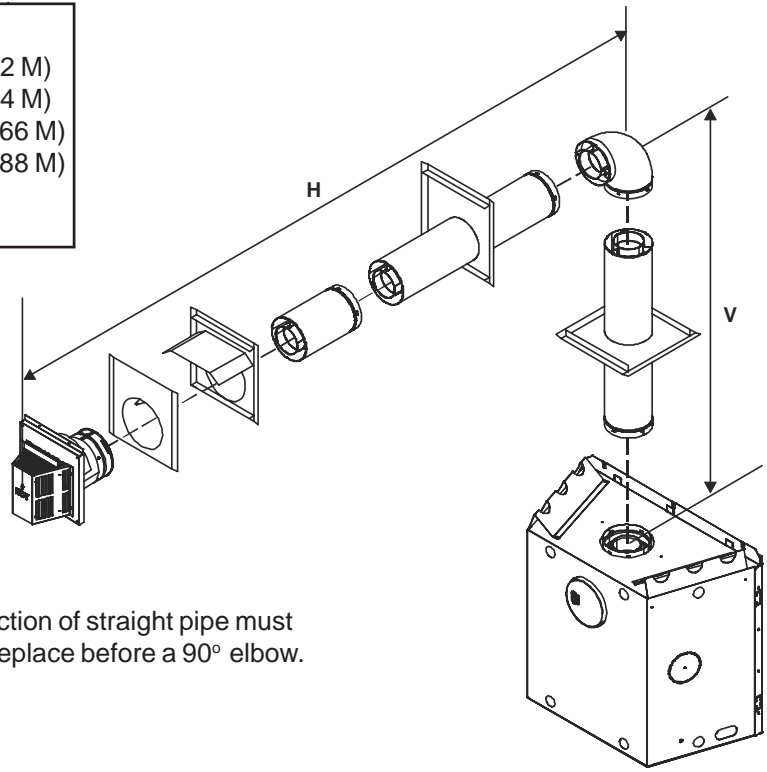
TWO (2) 90-DEGREE ELBOWS

Figures 1.10 and 1.11 show examples of possible installations using two (2) 90-degree elbows. Dimension V is listed as **MINIMUM** vertical dimensions, dimension H is listed as **MAXIMUM** beginning horizontal dimensions, and dimension $H+H_1$ is listed as corresponding **TOTAL MAXIMUM** horizontal dimensions.

THREE (3) 90-DEGREE ELBOWS

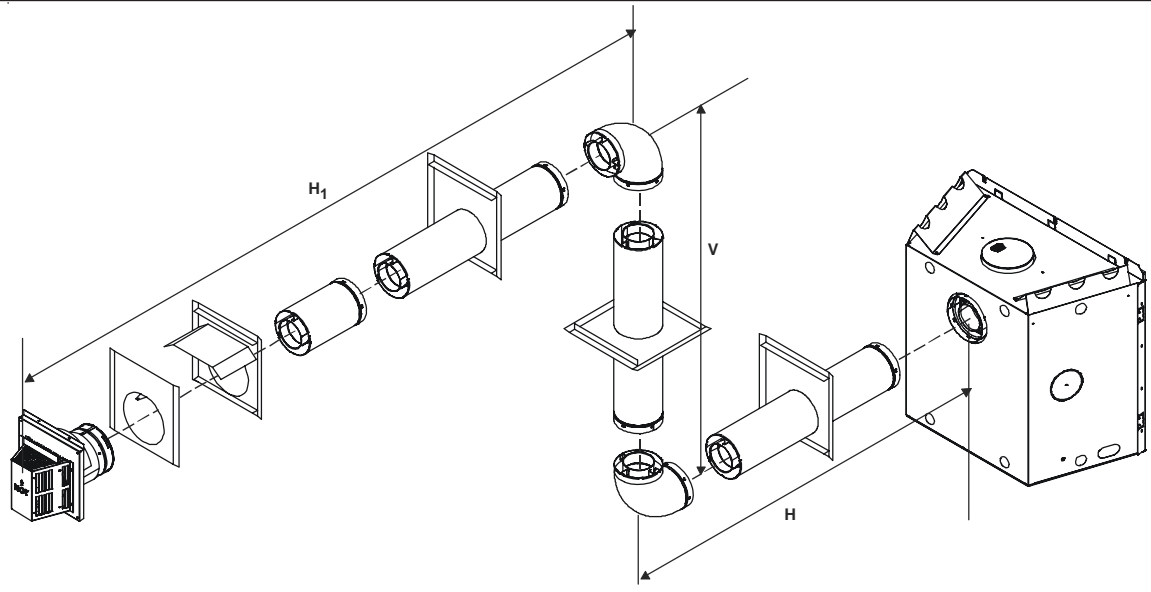
Figures 1.12 through 1.14 show examples of possible installations using three (3) 90-degree elbows. Dimensions V are listed **MINIMUM** first vertical dimensions and dimensions H are listed as beginning **MAXIMUM** horizontal dimensions. Dimensions $H+H_1$ and $H+H_1+H_2$ are listed as **TOTAL MAXIMUM** horizontal dimensions. Dimensions $V+V_1$ are listed as **TOTAL MAXIMUM** vertical dimensions.

V (FT.)	H (FT.)
1' MIN. (0.30 M)	4' MAX. (1.22 M)
2' MIN. (0.61 M)	8' MAX. (2.44 M)
3' MIN. (0.91 M)	12' MAX. (3.66 M)
4' MIN. (1.22 M)	16' MAX. (4.88 M)
V+H= 24' MAX. (7.32 M)	



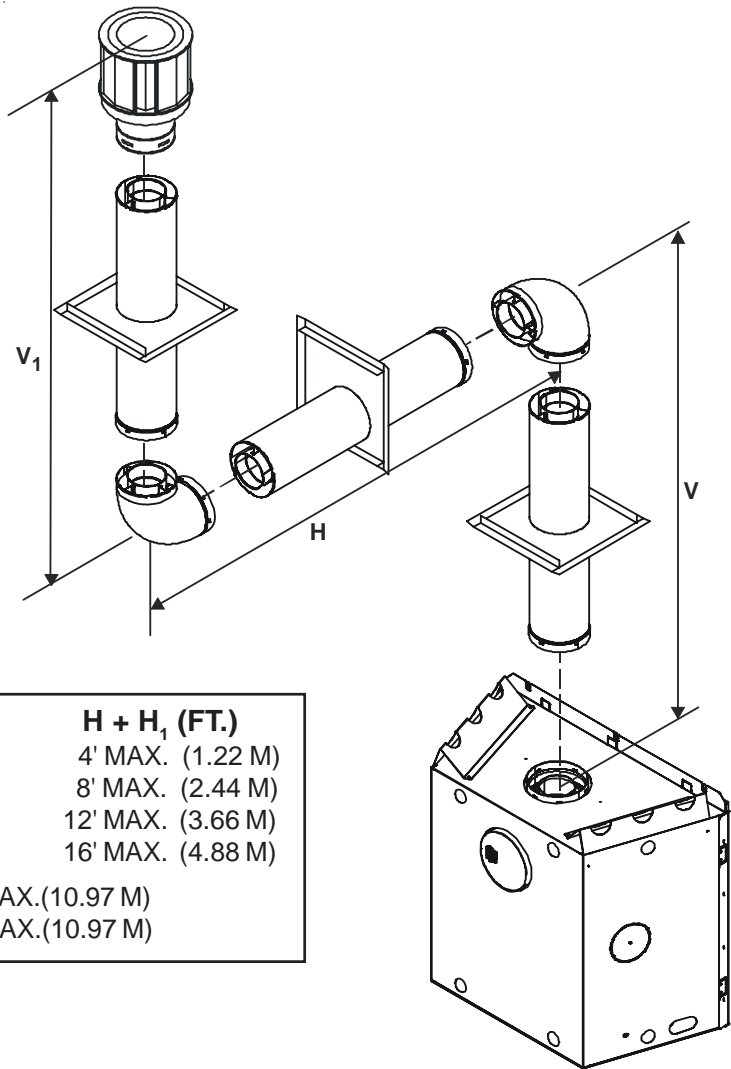
NOTE: A 6-inch (152mm) section of straight pipe must need to be attached to the fireplace before a 90° elbow.

FIGURE 1.9 Flueing with One 90° Elbow



V FT.)	H (FT.)	H+H ₁ (FT.)
1' MIN. (0.30 M)	2' MAX. (0.61 M)	4' MAX. (1.22 M)
2' MIN. (0.61 M)	2' MAX. (0.61 M)	8' MAX. (2.44 M)
3' MIN. (0.91 M)	4' MAX. (1.22 M)	12' MAX. (3.66 M)
4' MIN. (1.22 M)	6' MAX. (1.83 M)	16' MAX. (4.88 M)
20' MAX. (6.10 M)	6' MAX. (1.83 M)	16' MAX. (4.88 M)

FIGURE 1.10 Flueing with Two 90° Elbows



V FT.	H + H₁ (FT.)
1' MIN. (0.30 M)	4' MAX. (1.22 M)
2' MIN. (0.61 M)	8' MAX. (2.44 M)
3' MIN. (0.91 M)	12' MAX. (3.66 M)
4' MIN. (1.22 M)	16' MAX. (4.88 M)
V+H+H ₁ = 36' MAX.(10.97 M)	
V+V ₁ +H= 36' MAX.(10.97 M)	

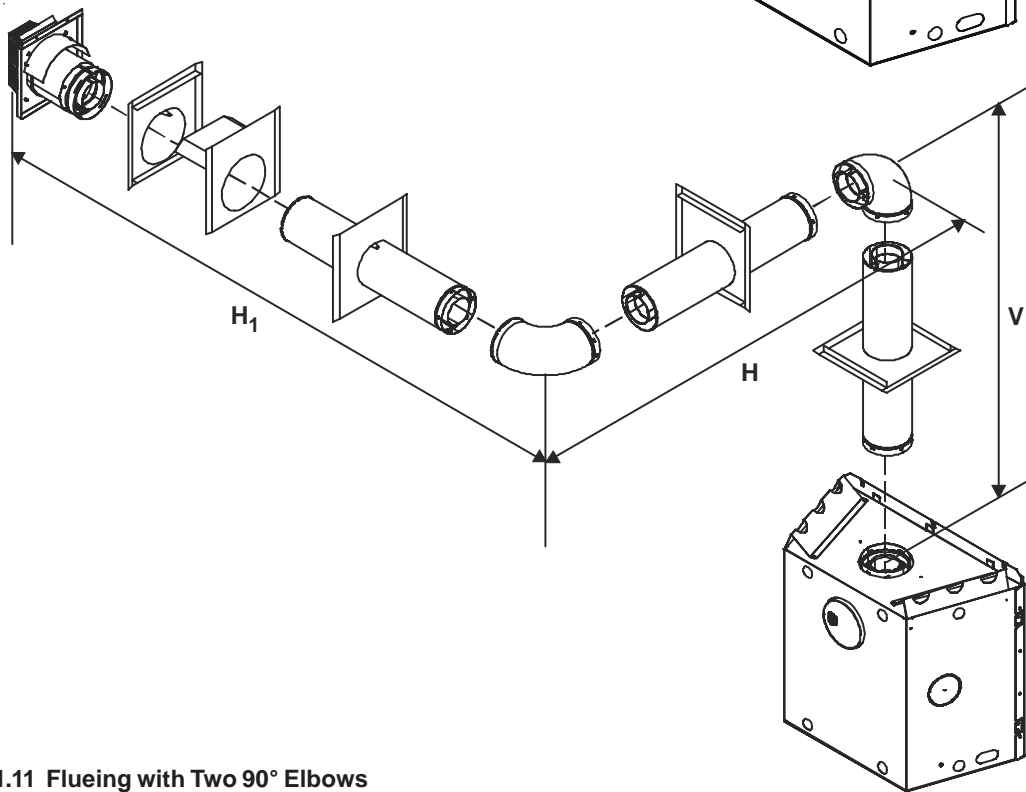


FIGURE 1.11 Flueing with Two 90° Elbows

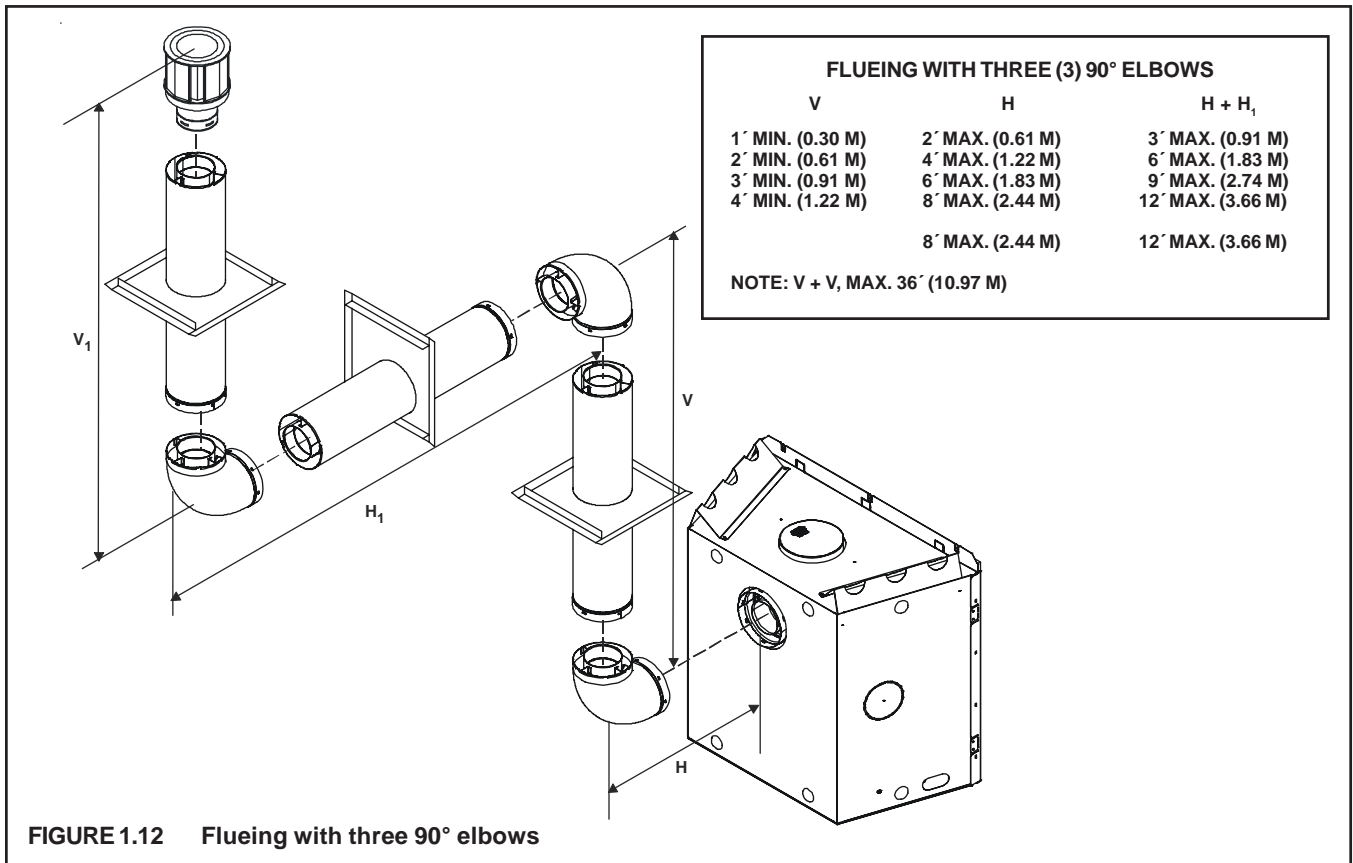


FIGURE 1.12 Flueing with three 90° elbows

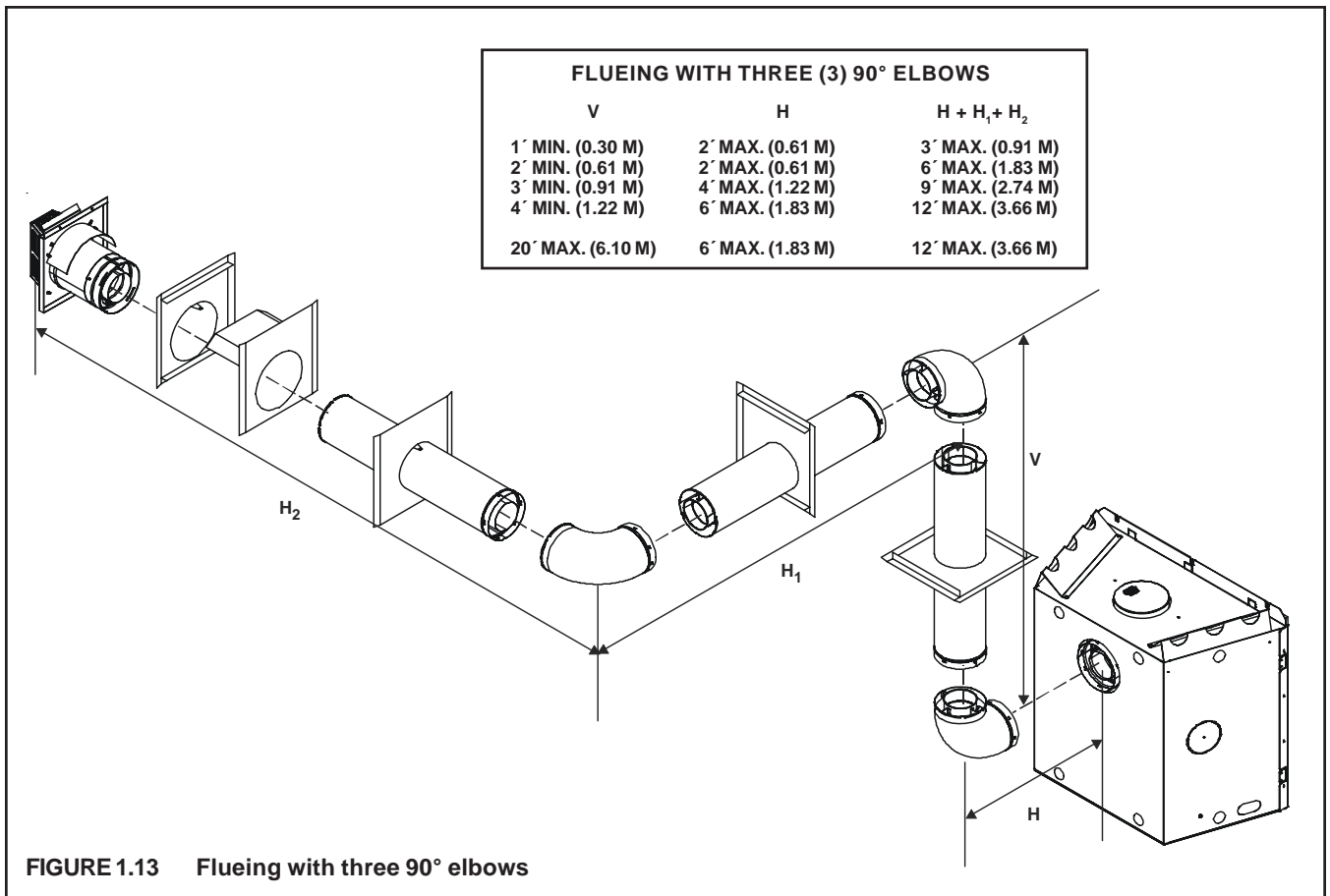


FIGURE 1.13 Flueing with three 90° elbows

FLUEING WITH THREE (3) 90° ELBOWS

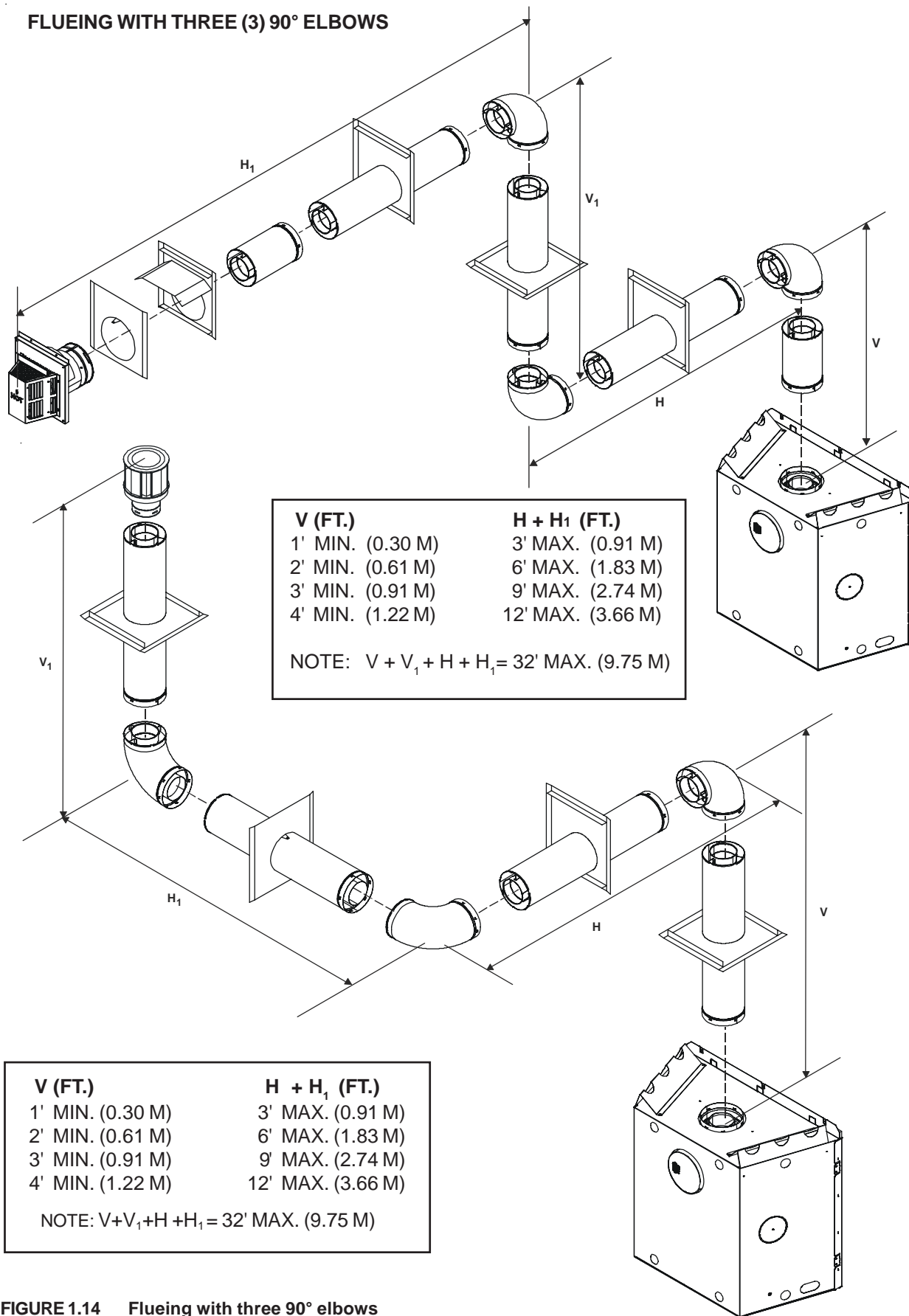


FIGURE 1.14 Flueing with three 90° elbows

1. Installing Flue Components

After determining which set of starting collars will be used (top or rear), follow flueing instructions accordingly.

Flueing Out the Rear Flue

Remove the installed rear seal cap from the rear starting collars by cutting the strap at each end. (See Figure 1.15). Follow the flue configuration tables accordingly.

Remove the insulation from the **REAR** five inch flue, pull the heat shield out from outside of the firebox.



WARNING: THE TOP HEAT SHIELD (INSIDE THE FIREBOX) MUST REMAIN ATTACHED IF THE FLUE SYSTEM IS ATTACHED TO THE REAR STARTING COLLARS. SEE FIGURE 14.

Flueing Out the Top Flue

Remove the two screws in the top flue collar seal cap and remove the top flue collar seal cap and two pieces of insulation inside the top two starting collars (See Figure 1.15).

Remove the heat shield from inside the **TOP** five inch flue from outside of the firebox.



WARNING: THE REAR FLUE COLLAR SEAL CAP MUST REMAIN ATTACHED TO THE REAR FLUE COLLARS IF THE FLUE SYSTEM IS ATTACHED TO THE TOP STARTING COLLARS.

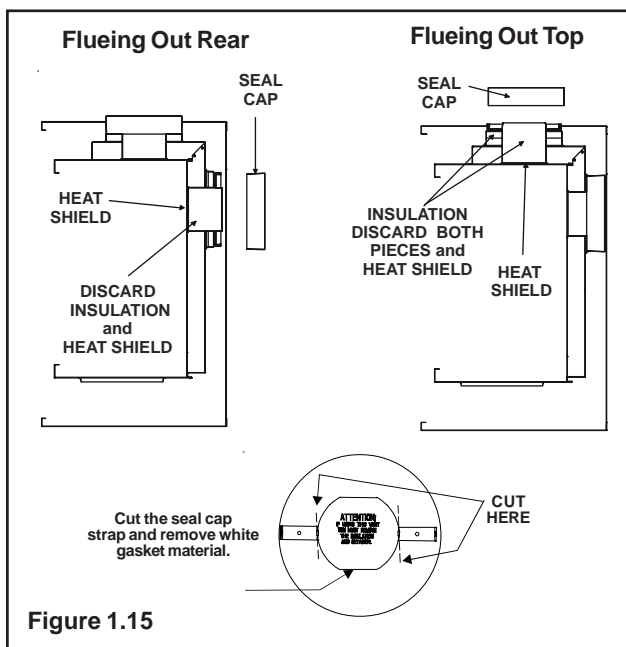


Figure 1.15

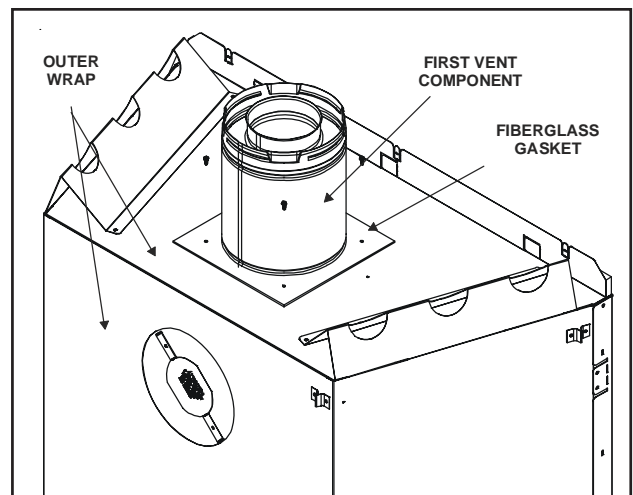


Figure 1.16 Fiberglass Gasket

1. Attach the Flue Component to the Starting Collars

To attach the first flue component to the starting collars of the fireplace:

- Make sure that the heater gasket supplied with the heater seals between the first flue component and the outer heater wrap (see Figure 1.16).
- Slide the male end of the inner flue of the pipe section over the inner collar on the heater. At the same time, slide the outer flue over the outer collar on the heater. Push the flue section into the appliance collar until all the lances (see Figure 1.17) have snapped in place. Tug slightly on the flue to confirm that it has completely locked into place.
- The first 90° elbow installed in the flue system of a rear flueing heater **MUST BE** in a vertical position.

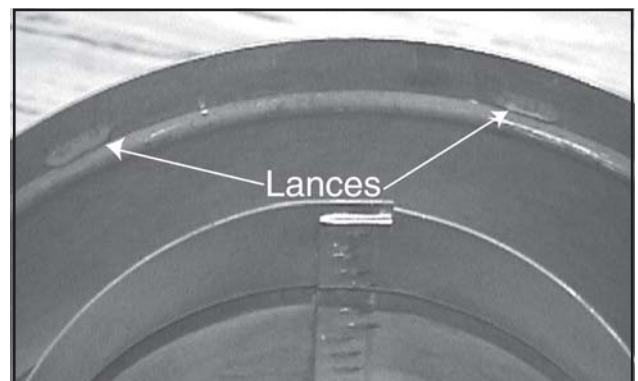





FIGURE 1.17

WARNING: ENSURE THAT THE HEATER GASKET SUPPLIED WITH THE HEATER SEALS BETWEEN THE FIRST FLUE COMPONENT AND THE OUTER HEATER WRAP.

	WARNING
	<p>Fire Risk Exhaust Fumes Risk Impaired Performance of Appliance</p>
	<ul style="list-style-type: none"> • Overlap pipe slip sections at least 1-1/2 inches (38.1mm). • Use pilot holes for screws. • Screws must not exceed one inch long. • Pipe may separate if not properly joined.

2. Assembling Flue Components

Insert the inner flue of section A into the flared inner flue of section B.

Start the outer flue of section A over the outer flue of section B (see Figure 1.18). **Note:** The end of the pipe sections with the lances/tabs on it will face towards the appliance.

Once both inner and outer flues are started, press section A onto section B firmly until all lances have snapped into place. Check to make sure they have snapped together (see Figure 1.19) and the seams are not aligned (see Figure 1.20). Tug slightly on section A to confirm it has completely locked into place.

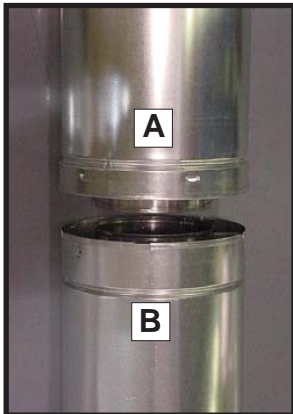


Figure 1.18



Figure 1.19

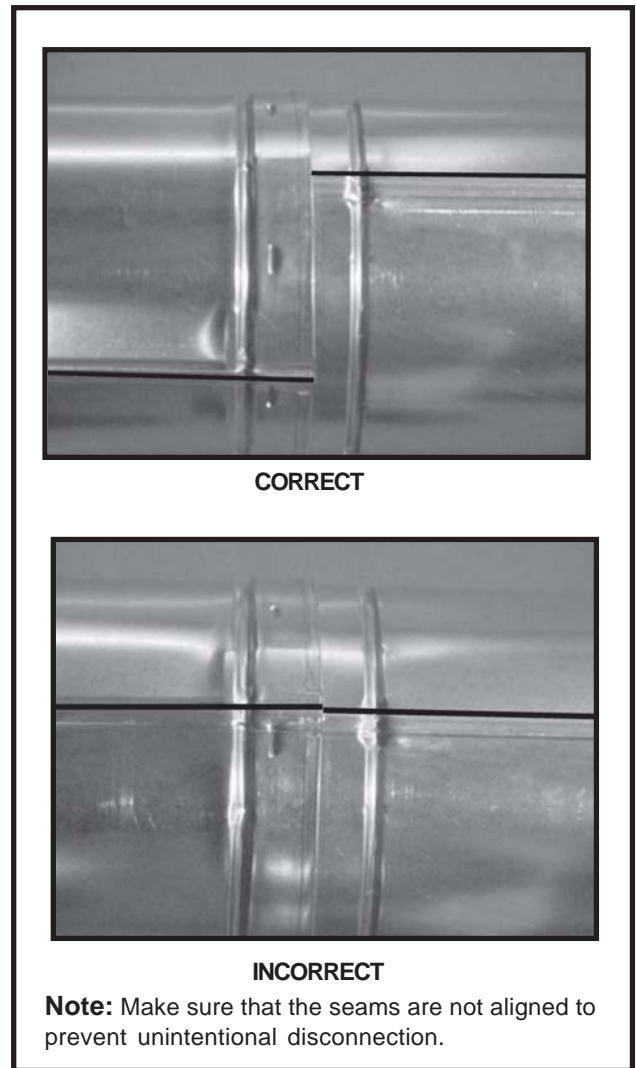


Figure 1.20 Seams

NOTE: Make sure that seams are **NOT** aligned to prevent unintentional disconnection.

For elbows that are changing the flue direction, two screws minimum should be put in the outer flue at the joint to prevent the elbow from rotating.

3. Install Support Brackets

For Horizontal Runs - The flue system must be supported every five (5) feet (1.5m) of horizontal run by a horizontal pipe support. To install support brackets for horizontal runs:

- Place the pipe supports around the flue pipe.
- Nail the pipe supports to the framing members.

For Vertical Runs - The flue system must be supported every eight feet (2.4 M) above the heater flue outlet by wall brackets. To install support brackets for vertical runs:

- Attach wall brackets to the flue pipe and secure the wall bracket to the framing members with nails or screws.

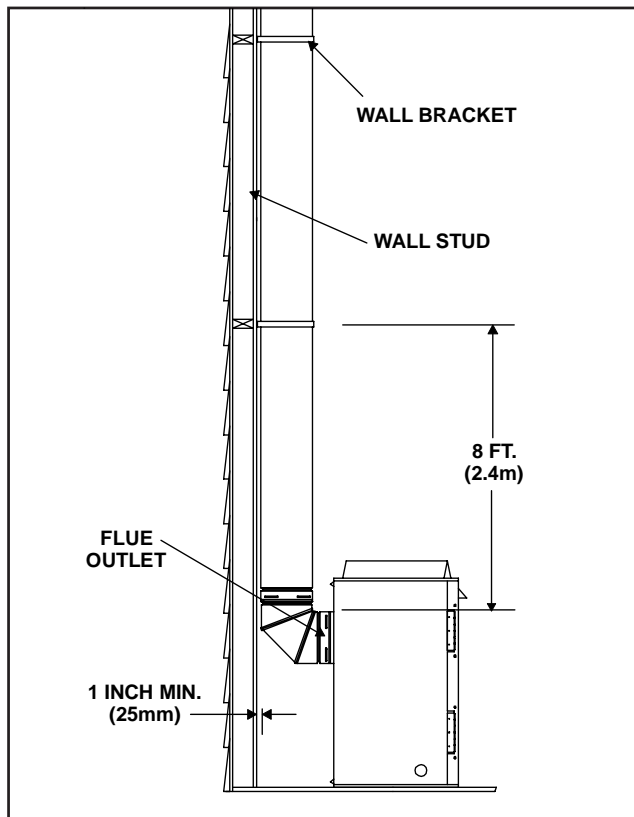


FIGURE 1.21 Installing Support Brackets

4. Install Firestops

For Horizontal Runs - Firestops are **REQUIRED** on both sides of a combustible wall through which the flue passes.

To install firestops (heat shield) for horizontal runs that pass through either interior or exterior walls:

- Cut a 10-inch by 12-inch (254 mm X 305 mm) hole through the wall.
- Position the firestops on both sides of the hole previously cut and secure the firestops with nails or screws.
- The pipe opening of the firestops **MUST BE** placed towards the bottom of the firestop.
- Continue the flue run through the firestop.

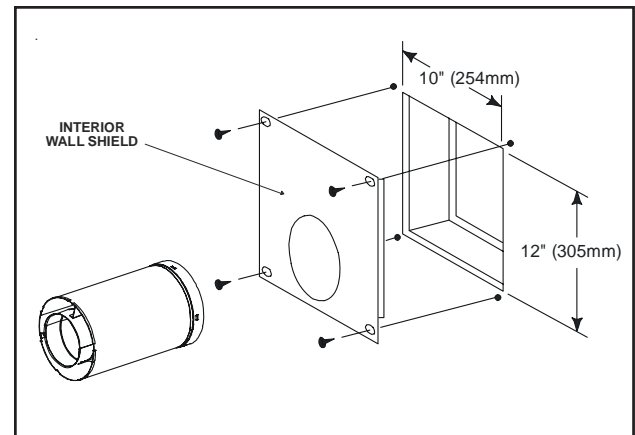


FIGURE 1.22 Flue Pipe & Firestop

For Vertical Runs - One firestop is **REQUIRED** at the hole in each ceiling through which the flue passes.

To install firestops for vertical runs that pass through ceilings:

- Position a plumb bob directly over the center of the vertical flue component.
- Mark the ceiling to establish the centerpoint of the flue.
- Drill a hole or drive a nail through this center point.
- Check the floor above for any obstructions, such as wiring or plumbing runs.
- Reposition the heater and flue system, if necessary, to accommodate the ceiling joists and/or obstructions.
- Cut a 10" x 10" (254mm X 254mm) hole through the ceiling, using the firestop pipe opening as a guide.
- Frame the hole with framing lumber the same size as the ceiling joists.

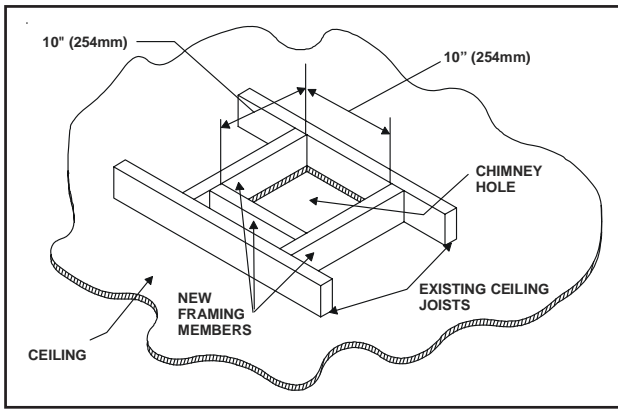


FIGURE 1.23 Hole and New Framing Members

If the area above the ceiling is **NOT** an attic, position and secure the ceiling firestop on the ceiling side of the previously cut and framed hole.

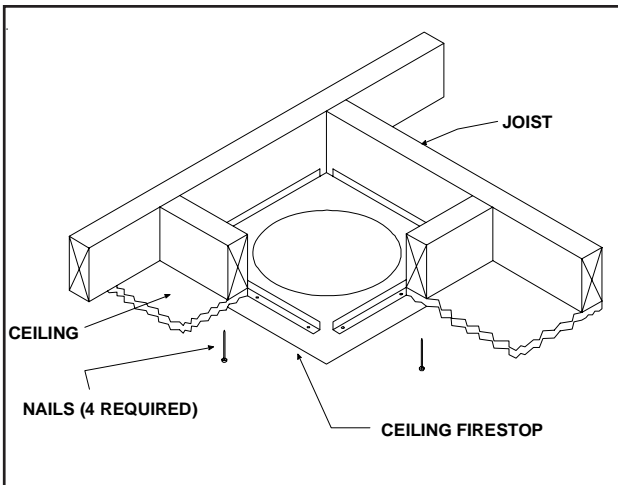


FIGURE 1.24 Ceiling Firestop (Ceiling Side)

If the area above the ceiling **IS** an attic, position and secure the firestop on top of the previously framed hole.

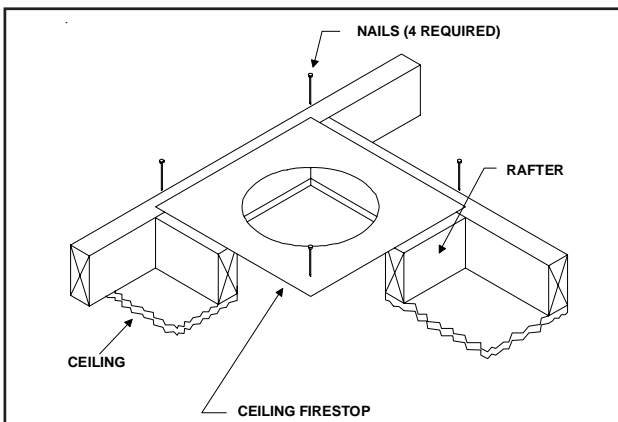


FIGURE 1.25 Attic Firestop

C. Flue Termination

For Horizontal Terminations - To attach and secure the termination to the last section of horizontal flue:

- The rear flue heat shield **MUST** be placed one inch above the top of the flue between the wall shield and the base of the termination cap.
- One section of the heat shield is attached to the wall shield. The other is attached to the termination cap in the same manner.
- The heat shield sections will overlap to match the wall thickness (depth).
- If the wall thickness does not allow the required 1-1/2 inch heat shield overlap, an extended heat shield must be used. The extended heat shield will need to be cut to the thickness of the wall and be attached to the wall shield.
- The small leg in the shield rests on top of the flue to properly space it from the pipe section (see Figure 1.26).

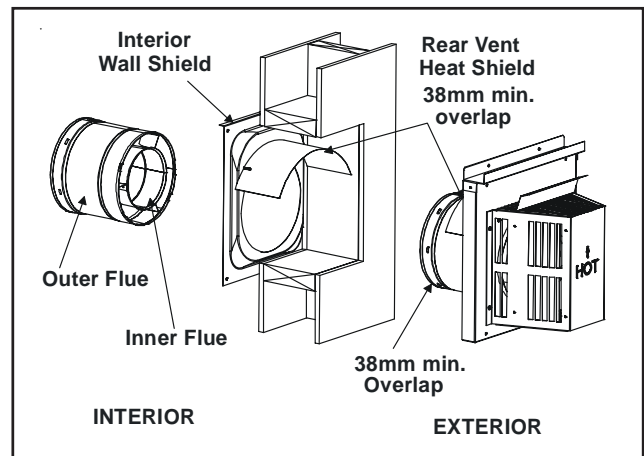


FIGURE 1.26 Flueing through the Wall

- The termination kit should pass through the wall firestops from the exterior of the building.

- Adjust the termination cap to its final exterior position on the building and interlock the flue sections.



WARNING: THE TERMINATION CAP MUST BE POSITIONED SO THAT THE ARROW IS POINTING UP.

- Use a high-temperature sealant gasket to seal between the pipe and exterior firestop.

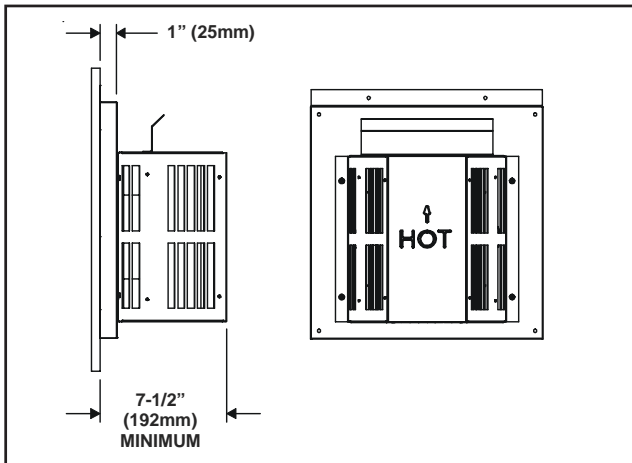


FIGURE 1.27 Termination Cap

For Vertical Terminations - To locate the flue and install the flue sections:

- Locate and mark the flue center point on the underside of the roof, and drive a nail through the center point.
- Make the outline of the roof hole around the center point nail.
- The size of the roof hole framing dimensions depend on the pitch of the roof. There **MUST BE** a 1-inch (25 mm) clearance from the vertical flue pipe to combustible materials.
- Mark the roof hole accordingly.
- Cover the opening of the installed flue pipes.
- Cut and frame the roof hole.
- Use framing lumber the same size as the roof rafters and install the frame securely. Flashing anchored to the frame must withstand heavy winds.
- Continue to install concentric flue sections up through the roof hole and up past the roof line until you reach the appropriate distance above the roof.

CAUTION: FOLLOW THE REQUIREMENTS OF THE AGA GAS INSTALLATION CODE FOR MINIMUM HEIGHT REQUIREMENTS ABOVE THE ROOF.

To seal the roof hole, and to divert rain and snow from the flue system:

- Attach a flashing to the roof using nails, and use a non-hardening mastic around the edges of the flashing base where it meets the roof.
- Attach a storm collar over the flashing joint to form a water-tight seal. Place non-hardening mastic around the joint, between the storm collar and the vertical pipe.
- Slide the termination cap over the end of the flue pipe and rotate the pipe clockwise 1/4 turn.

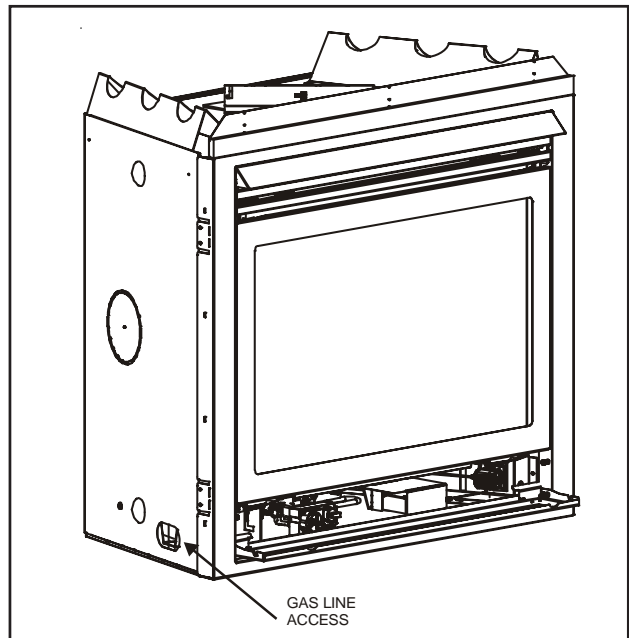


FIGURE 1.28

D. CONNECTING THE GAS SUPPLY

The gas is introduced to the appliance on the left hand side. See Figure 1.28.

After the gas pipe installation is complete, check carefully all gas connections for leaks with a commercially-available, noncorrosive leak check solution. Be sure to rinse off all leak check solution following testing. **DO NOT USE AN OPEN FLAME.**

NOTE: THE GAS SUPPLY LINE SHOULD BE PURGED OF ANY TRAPPED AIR PRIOR TO THE FIRST FIRING OF THE UNIT.

E. IGNITION SYSTEM WIRING

- This gas fireplace is equipped with an electronic ignition system which operates on a 6 volt system.
- This appliance requires 240 VAC to be wired to the factory installed junction box. Check factory installed power cord for damage before using.

CAUTION

Label all wires prior to disconnection when servicing controls. Wiring errors can cause improper and dangerous operation. Verify proper operation after servicing.



WARNING

Shock Risk

- Replace damaged wire with type 105° C rated wire.
- Wire must have high temperature insulation.

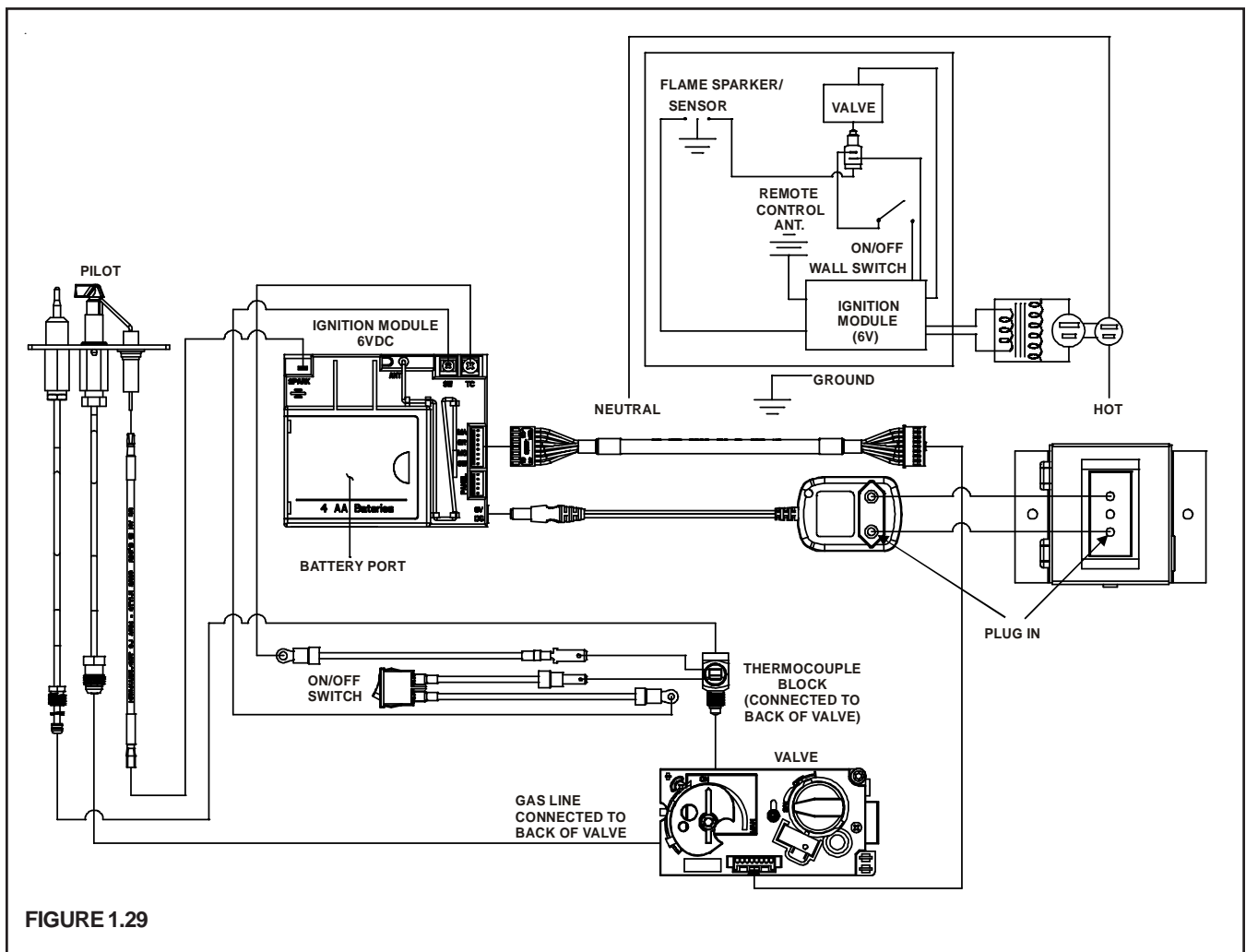


FIGURE 1.29

NOTE: IF ANY OF THE ORIGINAL WIRE AS SUPPLIED WITH THE APPLIANCE MUST BE REPLACED, IT MUST BE REPLACED WITH TYPE 105°C RATED WIRE.

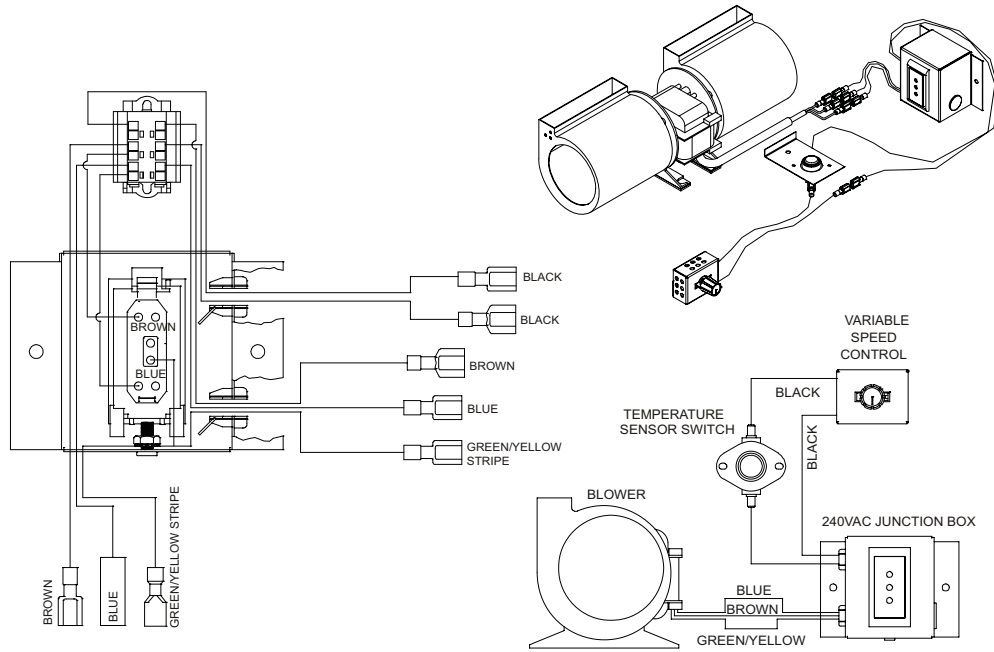


FIGURE 1.30

Blower Fan

This heater has a factory installed blower fan, electrical junction boxes, variable speed rheostat control switch and temperature sensor switch for the blower fan. These components are located behind the lower door.

The factory installed power cord is attached on the lower front right exterior side of the heater. Figure 1.30 shows the blower fan, switches, and blower fan wiring diagram. See Figure 1.31 for wire connection detail.

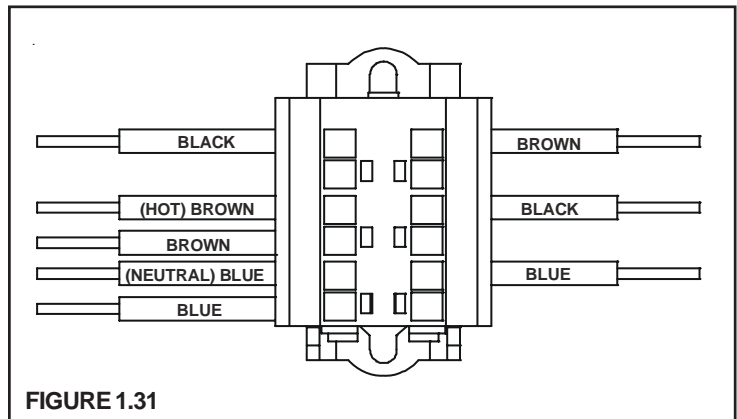


FIGURE 1.31

F. MANTEL CLEARANCES

Clearance to a mantelpiece is 12 inches (305mm). See Figure 1.32.

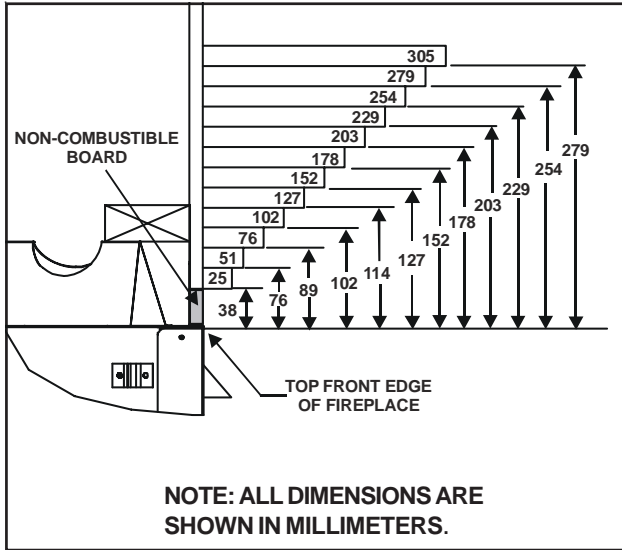


FIGURE 1.32

IF JOINTS BETWEEN THE FINISHED WALLS AND THE FIREPLACE SURROUND (TOP AND SIDES) ARE SEALED, A 150° C. MINIMUM SEALANT MATERIAL MUST BE USED. THESE JOINTS ARE NOT REQUIRED TO BE SEALED. ONLY NON-COMBUSTIBLE MATERIAL (USING 150° C. MINIMUM ADHESIVE, IF NEEDED) CAN BE APPLIED AS FACING TO THE FIREPLACE SURROUND. SEE FIGURE 1.33.

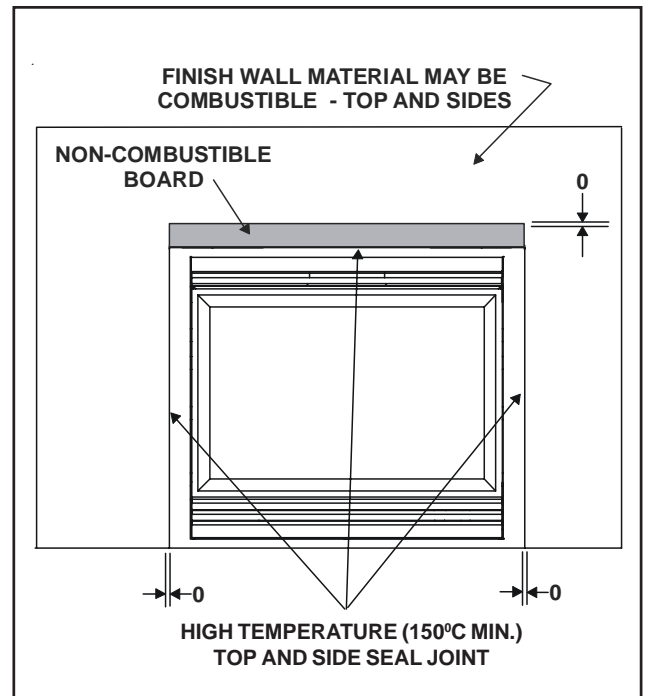
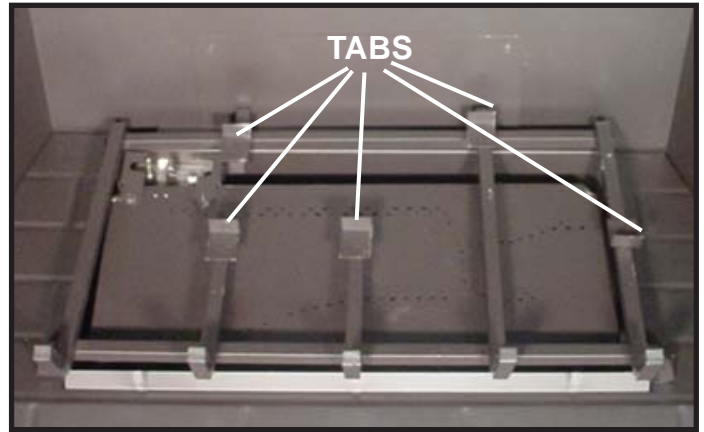


FIGURE 1.33

G. LOG PLACEMENT INSTRUCTIONS

Log Assembly: LOG-6TRSI-AUC



CAUTION: Logs are fragile! Carefully remove the logs from the packaging.



LOG #1 (SRV2049-700): Locate log #1 by placing log notches on the second and fifth grate bars and push log against rear log locators.



LOG #2 (SRV2049-701): Locate log #2 on grate with notches. Slide back against tabs.



LOG #3 (SRV385-721): Rest log #3 in the groove on log #1 with its lower portion resting against the left side wall.



LOG #4 (SRV385-722): Place log #4 on 5th grate bar and rest its top into the groove on log #1.



LOG #5 (SRV385-723): Position log #5 between the 3rd and 4th grate bar resting on the grooves in log #1 and log #2.

H. INSTALLER TESTING

The space heater must be tested and be operating according to manufacturers specifications prior to the installer leaving the site. Note: the tips of the flames should never hit the top of the firebox after the unit has warmed up. Please contact your dealer or a qualified service person to replace injector or adjust valve.

Upon completing the gas line connection, a small amount of air will be in the lines. When first lighting the pilot light, it will take a few minutes for the lines to purge themselves of this air. Once the purging is complete, the pilot and burner will light and operate as indicated in the Lighting Instructions.

Subsequent lightings of the appliance will not require such purging.

Follow the Safety Information and Lighting Instructions pages of this manual to light the appliance.

To obtain proper operation, it is imperative that the pilot and main burner flame characteristics are steady, not lifting or floating. Typically, the top 3/8 inch (9.5mm) of the thermocouple should be engulfed in the pilot flame. (See Figure 1.34).

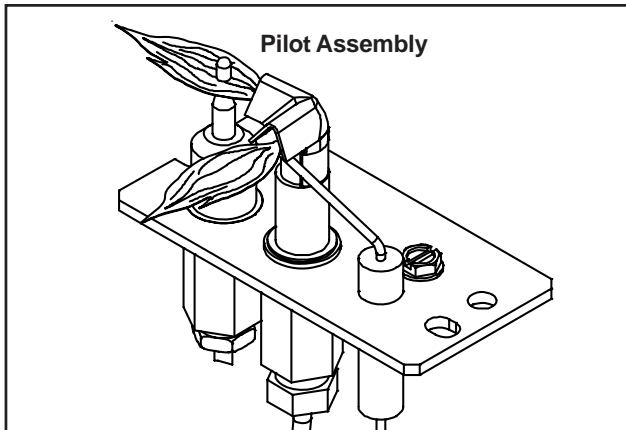


FIGURE 1.34

Follow TROUBLESHOOTING section for adjusting the appliance to operate properly.

2.0 OPERATING INSTRUCTIONS

This appliance is a balanced flue heater and is designed to operate with all combustion air being siphoned from the outside of the building and all exhaust gases expelled to the outside of the building.

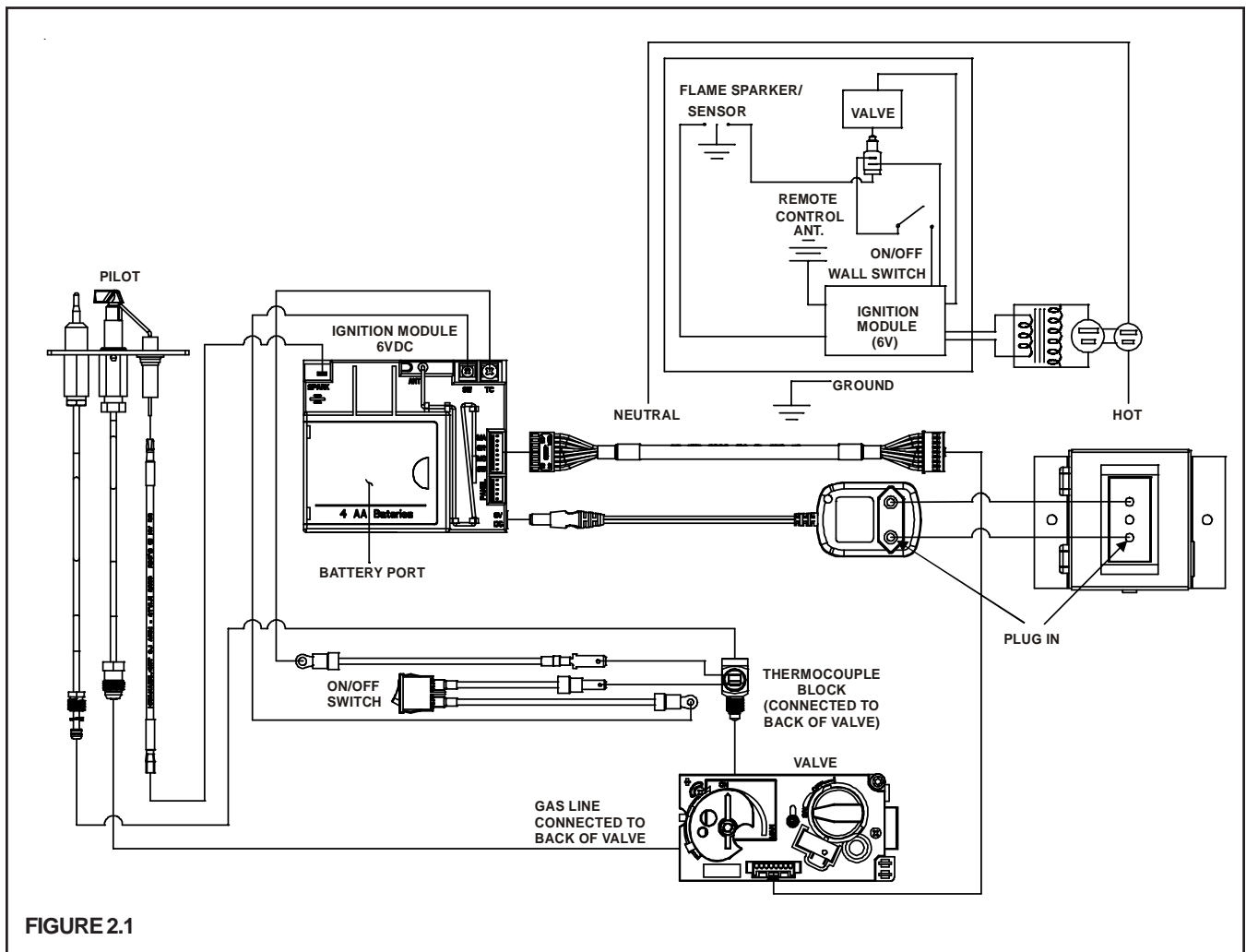
WARNING: THIS UNIT IS NOT FOR USE WITH SOLID FUEL.

The control system for this model employs an electronic pilot ignition. It consists of a 6V gas control valve/variable regulator, an electronic module, a thermocouple and a remote control. The controls are located in the lower compartment behind the lower door, and access is gained by lifting the door up. See Figure 1.

WARNING: DO NOT CONNECT 220-240 VAC TO THE GAS CONTROL VALVE OR CONTROL WIRING SYSTEM OF THIS UNIT.

When lit for the first time, the appliance will emit a slight odor for an hour or two. This is due to paint and lubricants used in the manufacturing process. Additionally, for the first few minutes after each lighting, vapor may condense and fog the glass and the flames may be blue. After a few minutes this moisture will disappear and within 15-30 minutes the flames should become yellow.

The heater may produce a noise, caused from metal expansion and contraction as it heats up and cools down. This noise is similar to one that a furnace or heat duct may produce and does not affect the operation or longevity of the heater.



OPERATING CAUTIONS

- THIS APPLIANCE MAY EXHIBIT A SLIGHT CARBON DEPOSITION.
- DO NOT PLACE ARTICLES ON OR AGAINST THIS APPLIANCE.
- DO NOT USE OR STORE FLAMMABLE MATERIALS NEAR THIS APPLIANCE.
- DO NOT SPRAY AEROSOLS IN THE VICINITY OF THIS APPLIANCE WHILE IT IS IN OPERATION.
- THE DRESS GUARD IS FITTED TO THIS APPLIANCE TO REDUCE THE RISK OF FIRE OR INJURY FROM BURNS AND NO PART OF IT SHOULD BE PERMANENTLY REMOVED. FOR PROTECTION OF YOUNG CHILDREN OR THE INFIRM, A SECONDARY GUARD IS REQUIRED.
- THE DRESS GUARD MUST BE IN PLACE AND SEALED AND THE FIXED MESH TRIM ASSEMBLY MUST BE IN PLACE ON THE HEATER BEFORE THE UNIT CAN BE PLACED INTO SAFE OPERATION.
- DO NOT USE THIS APPLIANCE IF ANY PART HAS BEEN UNDER WATER. IMMEDIATELY CALL A QUALIFIED SERVICE TECHNICIAN TO INSPECT THE UNIT AND TO REPLACE ANY PART OF THE CONTROL SYSTEM AND ANY GAS CONTROL WHICH HAS BEEN UNDERWATER.
- DO NOT OPERATE THIS APPLIANCE WITH THE GLASS DOOR REMOVED, CRACKED, OR BROKEN. REPLACEMENT OF THE GLASS DOOR SHOULD BE DONE BY A LICENSED OR QUALIFIED PERSON. DO NOT STRIKE OR SLAM THE GLASS DOOR.
- THE GLASS DOOR ASSEMBLY SHALL ONLY BE REPLACED AS A COMPLETE UNIT AS SUPPLIED BY THE GAS HEATER MANUFACTURER. NO SUBSTITUTE MATERIALS MAY BE USED.

A. SAFETY & LIGHTING INFORMATION

Follow **SAFETY INFORMATION** and **LIGHTING INSTRUCTIONS** to light the appliance.

By design, the flame pattern will not be identical from unit to unit. Additionally, flame pattern may vary depending on installation type and weather conditions.

NOTE: THE TIPS OF THE FLAMES SHOULD NEVER HIT THE TOP OF THE FIREBOX.

These gas models have remote control valve which allow you to increase or decrease the height of the main burner flames. Push the ▲ button to increase the flame height and the ▼ button to decrease the flame height.

FOR YOUR SAFETY READ BEFORE LIGHTING

WARNING: If you do not follow these instructions exactly, a fire or explosion may result causing property damage, personal injury or loss of life.

- A.** This appliance is equipped with an electronic ignition system which automatically lights the burner. Do not try to light the burner by hand.
- B. BEFORE LIGHTING,** smell all around the appliance area for gas. Be sure to smell next to the floor because some gas is heavier than air and will settle on the floor.
- WHAT TO DO IF YOU SMELL GAS**
- Do not try to light any appliance.
 - Do not touch any electric switch; do not use any phone in your building.
 - Immediately call your gas supplier from a neighbor's phone. Follow the gas supplier's instructions.
 - If you cannot reach your gas supplier, call the fire department.
- C.** Do not use this appliance if any part has been under water. Immediately call a qualified service technician to inspect the appliance and to replace any part of the control system and any gas control which has been under water.

WARNING:

DO NOT CONNECT 220/240 VAC TO THE CONTROL VALVE.

Improper installation, adjustment, alteration, service or maintenance can cause injury or property damage. Refer to the owner's information manual provided with this appliance.

This appliance needs fresh air for safe operation and must be installed so there are provisions for adequate combustion and ventilation air.

If not installed, operated, and maintained in accordance with the manufacturer's instructions, this product could expose you to substances in fuel or fuel combustion.

Keep burner and control compartment clean. See installation and operating instructions accompanying appliance.

CAUTION:

Hot while in operation. Do not touch. Keep children, clothing, furniture, gasoline and other liquids having flammable vapors away.

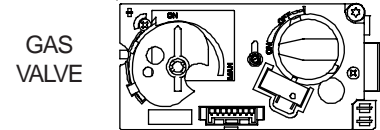
Do not operate the appliance with panel(s) removed, cracked or broken. Replacement of the panel(s) should be done by a licensed or qualified service person.

NOT FOR USE WITH SOLID FUEL

For use with natural, propane and butane gases.

LIGHTING INSTRUCTIONS

1. This gas fireplace is equipped with an ignition device which automatically lights the burner. Do not try to light the burner by hand.



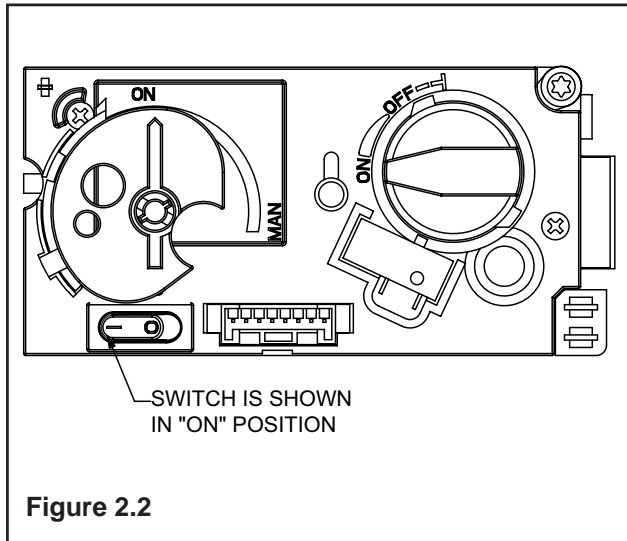
2. Wait five (5) minutes to clear out any gas. Then smell for gas, including near the floor. If you smell gas, STOP! Follow "B" in the Safety Information located on the left side of this label. If you don't smell gas, go to next step.
3. To light the burner, simultaneously press the star ✱ and up ▲ arrow buttons on the remote control until a short acoustic signal confirms the start sequence has begun.
4. If the gas fireplace will not operate, check the batteries then follow the instructions "To Turn Off Gas to Appliance" and call your service technician or gas supplier.

TO TURN OFF GAS TO APPLIANCE

1. Push the "OFF" button on remote.
2. Remove power from receiver.

B. POWER OUTAGE

In the event of a power interruption during operation, either push the OFF button on the remote control or open access door and push the switch to OFF (as shown in Figure 39) to shut off manually. The switch must be returned to the ON position prior to operation once power is restored.



C. FAN OPERATION

The accessory fan is wired in series with a speed control switch and a temperature sensor switch. Set the speed control to an "ON" position and light the heater. The temperature sensor switch will automatically start the fan when the switch warms up—and stop the fan when it cools down. You can manually stop the fan by turning the speed control switch to "OFF". See Figure 1.30 for fan wiring diagram.

3.0 SERVICING AND MAINTENANCE

1. **HEATER SERVICING:** Frequency of heater servicing will depend upon use and type of installation.
2. **IMPORTANT:** TURN OFF GAS BEFORE SERVICING APPLIANCE. IT IS RECOMMENDED THAT A COMPETENT SERVICE TECHNICIAN PERFORM SERVICE CHECK-UPS AT THE BEGINNING OF EACH HEATING SEASON.
3. The appliance and flue system should be inspected before initial use and at least annually by a qualified field service person.
4. Inspect the external flue cap on a regular basis to make sure that no debris is interfering with the air flow.
5. Keep the control compartment, logs, and burner area surrounding the logs clean by vacuuming or brushing at least twice a year.

CAUTION: THE LOGS GET VERY HOT - HANDLE ONLY WHEN COOL.

WARNING: DO NOT USE ABRASIVE CLEANERS ON THE GLASS DOOR ASSEMBLY. DO NOT ATTEMPT TO CLEAN THE GLASS DOOR WHEN IT IS HOT.

6. The glass door should be cleaned using a household glass cleaner. **DO NOT** handle or attempt to clean the glass when it is **HOT**.
7. Visually inspect the flexible power supply cord; if damaged, contact the service agent for a special replacement cord assembly.
8. In order to properly clean the burner and pilot assembly, turn off the gas to the unit and remove the logs exposing the burner and pilot assembly. Clean all foreign materials from top of burner. Check to make sure that the burner orifice is clean.

Visually inspect the pilot periodically. Brush or blow away any dust or linen accumulations. If the pilot orifice is plugged, disassembly may be required to remove any foreign materials from the orifice or tubing. When the appliance is put back in service, check burner flame patterns. Flames should be steady, not floating.

To obtain proper operation, it is imperative that the pilot and main burner flame characteristics are steady, not lifting or floating. Typically, the top 3/8 inch of the ther-

mocouple should be engulfed in the pilot flame (See Figure 3.1).

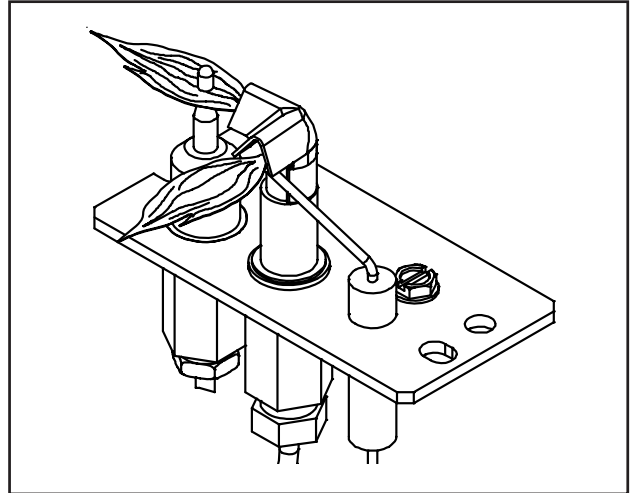


FIGURE 3.1

A. REMOVAL OF COVERS FOR SERVICING

A. Control Compartment Access Door

- Lift the lower door up and out to access the gas controls.

B. Trim Door and Glass Door

- Lift the front trim door up and out away from the appliance side surrounds. Replace the door when servicing is complete.
- Noting carefully how the brackets fit on the glass, release the two spring latches at the top and two at the bottom of the glass door. Carefully lift the glass up and out away from the appliance. See Figure 3.2.

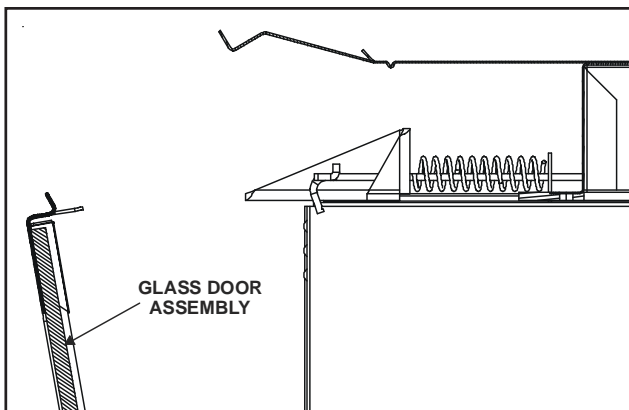


FIGURE 3.2

B. REMOVAL OF COMPONENTS FOR SERVICE

1. BURNER

- Release the screws at the base of the log grate and carefully lift up and remove the logs and log grate.
- Remove the base pan.
- Unscrew the brackets at both ends of the burner and the top two screws locating the pilot bracket (see Figure 3.3). Slide the burner away from the burner orifice.

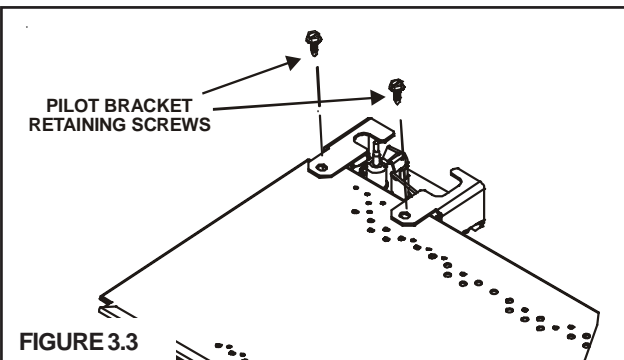


FIGURE 3.3

CAUTION: ALL SCREWS WHICH WERE REMOVED MUST BE REPLACED.

2. PILOT ASSEMBLY/IGNITION SYSTEM

- Remove the log set, log grate and burner assembly.
- Disconnect the gas supply tube from the underside of the pilot burner.
- Disconnect the ignition cable.
- Disconnect the attachment nut from the underside of the thermocouple. The thermocouple can then be separated from the pilot bracket.
- Unscrew the pilot assembly bracket and remove.

C. PARTS REPLACEMENT

1. FAN/SWITCHES

- Unplug the fan wires from the junction box wires by pulling the male and female connectors apart and slide the fan out the front of the lower controls compartment.
- Disconnect the wires from the fan speed control switch, pull off the knob, and remove the nut holding the speed control to the bracket.
- Disconnect the wires from the fan temperature sensor switch and remove the nut holding the switch bracket onto the bottom of the firebox.

2. GLASS PANEL

- To replace the glass door, place the bottom edge into the lower holders, push glass against unit and secure the two spring latches at the top and bottom.

D. ADJUSTMENTS AND REPLACEMENT PARTS

Adjustments and replacement parts for this appliance should only be done by a qualified service person. A wiring diagram for the appliance is shown in **SECTION 2.0 OPERATING INSTRUCTIONS**. A replacement part table is shown in **SECTION 4.0** of this manual.

E. MAINTENANCE TASKS

Inspect	Maintenance Tasks
Doors	1. Inspect for scratches, dents or other damage and repair as necessary.
	2. Verify no obstructions to airflow .
	3. Verify maintenance of proper clearance to combustible household objects.
Gasket Seal, Glass Assembly and Glass	1. Inspect gasket seal and its condition.
	2. Inspect glass panels for scratches and nicks that can lead to breakage when exposed to heat.
	3. Confirm there is no damage to glass or glass frame. Replace as necessary.
	4. Verify that latches engage properly, clip studs are not stripped, and glass attachment components are intact and operating properly. Replace as necessary.
	5. Clean glass. Replace glass assembly if severely coated with silicate deposits that cannot be removed.
Valve Compartment and Firebox Top	1. Vacuum and wipe out dust, cobwebs, debris or pet hair. Use caution when cleaning these areas. Screw tips that have penetrated the sheet metal are sharp and should be avoided.
	2. Remove any foreign objects.
	3. Verify unobstructed air circulation.
Logs	1. Inspect for broken, damaged, or missing logs. Replace as necessary.
	2. Verify correct log placement and no flame impingement causing sooting. Correct as necessary.
Firebox	1. Inspect for paint condition, warpage, corrosion or perforation. Sand and repaint as necessary.
	2. Replace gas fireplace if firebox has been perforated.
Burner Ignition and Operation	1. Verify burner is properly secured and aligned with pilot or igniter.
	2. Clean off burner top, inspect for plugged ports, corrosion or deterioration. Replace burner if necessary.
	3. Replace ember materials with new dime-size and shape pieces. Do not block ports or obstruct lighting paths.
	4. Check for smooth lighting and ignition carryover to all ports. Verify there is no ignition delay.
	5. Inspect for lifting or other flame problems.
	6. Inspect orifice for soot, dirt or corrosion.
	7. Verify manifold and inlet pressures. Adjust regulator as required.
	8. Inspect pilot flame strength. Clean or replace orifice as necessary.
	9. Inspect thermocouple for soot, corrosion and deterioration. Clean with emery cloth or replace as required.
Flueing	1. Inspect venting for blockage or obstruction such as bird nests, leaves, etc.
	2. Confirm that termination cap remains clear and unobstructed by plants, etc.
	3. Verify that termination cap clearance to subsequent construction (building additions, decks, fences or sheds) has been maintained.
	4. Inspect for corrosion or separation.
	5. Verify weather stripping, sealing and flashing remains intact.
Remote controls	1. Verify operation of remote.
	2. Replace batteries in remote transmitters and battery-powered receivers.

F. TROUBLESHOOTING

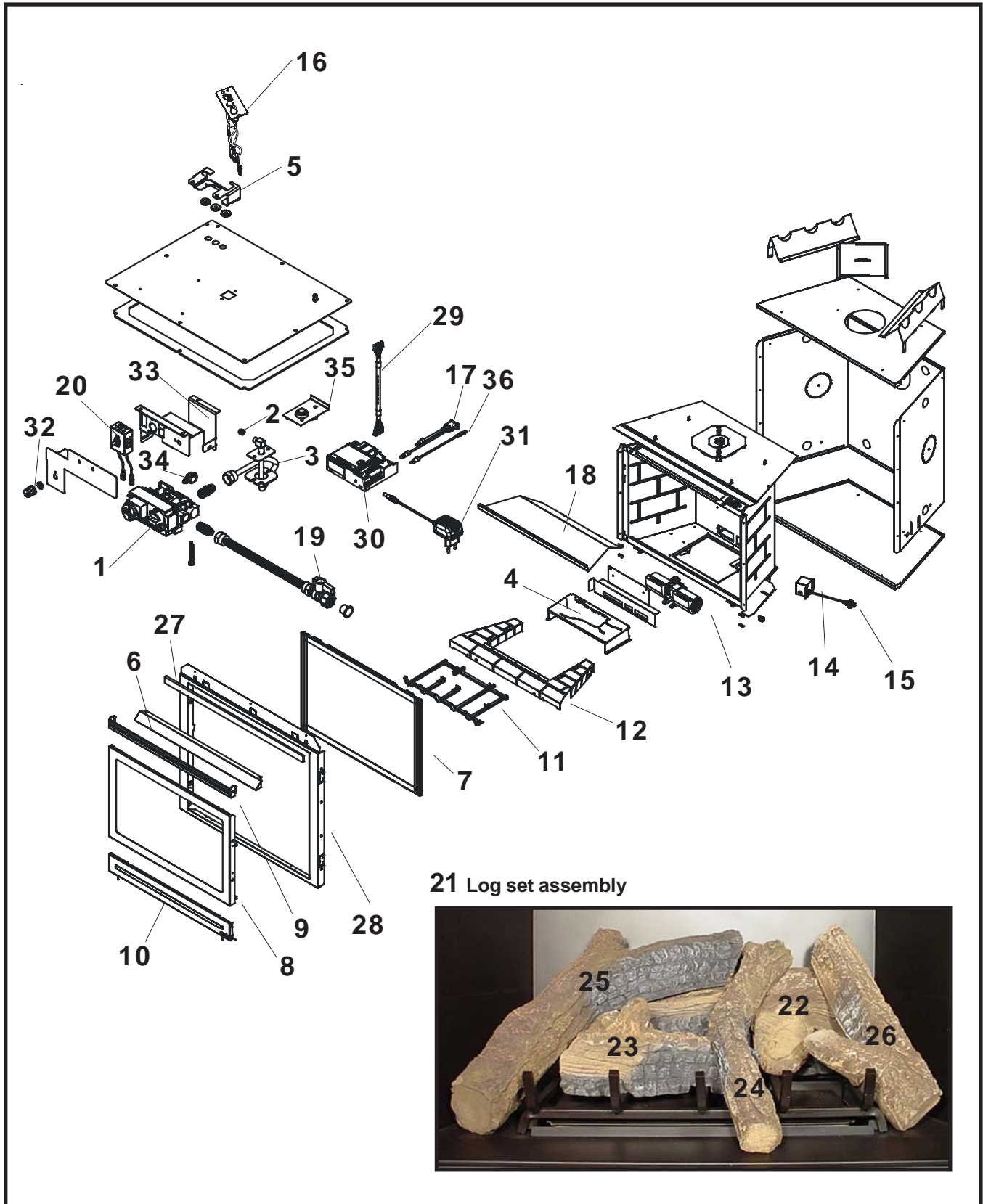
With proper installation and maintenance, your new Gas Fireplace should provide years of trouble-free service. If you do experience a problem, refer to the Troubleshooting Guide below. This guide will assist a qualified service person in the diagnosis of problems and the corrective action to be taken.

Electronic Ignition System

Symptom	Possible Causes	Corrective Actions
1. No transmission, motor does not turn.	a. Receiver must learn new code.	Press and hold the receiver's reset button until you hear 2 acoustic signals. After the second longer acoustic signal, release the reset button and within the subsequent 20 seconds, press the down arrow on the remote handset until you hear an additional long acoustic signal confirming the new code is set.
2. No ignition. No tone.	a. Receiver	Replace receiver and reprogram code.
3. No ignition; one 5 seconds continuous tone (7 shorts beeps might be heard prior to the 5 seconds tone).	a. ON/OFF switch is in OFF position.	Push switch to ON position.
	b. Loose wire.	Secure wire.
	c. Receiver.	Replace receiver and reprogram.
	d. Bent pins on 8 wire connector.	Straighten pins on 8 wire connector.
	e. Valve.	Replace valve.
4. No pilot flame and control continues to spark.	a. Air in the pilot supply line.	Purge the line or start ignition several times.
	b. Thermocouple circuit wired incorrectly.	Check polarity of the thermocouple wires.
	c. No spark at pilot burner	Check spark gap, check wiring connection. Check for spark in location along cable.
	d. Valve.	Replace valve. Do not over tighten.
	e. Over tightened thermocouple interrupter.	Replace valve and thermocouple interrupter.
	f. Receiver.	Replace receiver and reprogram code.
5. Pilot is lit and control continues to spark. Valve shuts off after 10 to 30 seconds. Valve operates manually.	a. Receiver.	Replace receiver and reprogram code.
6. Pilot is lit, sparking stops if a flame is present. Valve shuts off after 10 to 60 seconds. Valve does not work manually.	a. Thermocouple.	Replace thermocouple.
	b. Low inlet pressure to valve.	Confirm sufficient inlet pressure to the valve. Adjust or replace inlet regulator if necessary.
	c. Valve.	Replace valve and the thermocouple interrupter.
7. 3 short beeps while the motor turns.	a. Batteries are low.	Replace batteries - quality alkaline recommended. WARNING: Creating an electrical short between the batteries/battery box and metal parts of the appliance may render the receiver inoperable.
8. Pilot flame lights but there is no main gas flow.	a. Manual override knob (if equipped) is in MAN position.	Turn Manual override knob to ON position.
	b. Valve turned on to pilot flow.	Turn flame to high fire by pressing up button on remote handset.
	c. Low inlet pressure to valve.	Confirm sufficient inlet pressure to the valve. Adjust or replace inlet regulator if necessary.
9. Pilot sparks, but pilot will not light.	a. Correct gas supply.	Verify that incoming gas line ball valve is "open". Verify that inlet pressure reading is within acceptable limits, inlet pressure must not exceed 50 mbar.
	b. Ignitor gap is too large.	Verify that spark gap from ignitor to pilot hood is .43 cm.
	c. Module is not grounded.	Verify module is securely grounded to metal chassis of fireplace.

Electronic Ignition System - (continued)

Symptom	Possible Causes	Corrective Actions
10. Glass soots.	a. Flame impingement on logs.	Adjust the log set so that the flame does not impinge on it.
	b. Improper venturi setting.	Adjust the air shutter at the base of the burner.
	c. Debris around venturi.	Inspect the opening at the base of the burner. It is imperative that NO material be placed in this opening.
11. Flame burns blue and lifts off burner.	a. Insufficient oxygen being supplied.	<p>1. Check to make sure flue cap is installed properly and free of debris. Make sure that flue system points are tight and have no leaks.</p> <p>2. Check to make sure that no material has been placed in the opening at the burner base or in the area of the air holes in the center of the base pan beneath the burner.</p> <p>3. Be sure glass is tightened properly on unit, particularly on top corners.</p>



Service Parts List

6000TRSI-AUC

IMPORTANT: When ordering, supply serial and model numbers to ensure correct service parts.

ITEM	PARTS	PART NUMBER
1	Valve NG	2098-136
	Valve LP	2098-137
2	Orifice NG	582-833
	Orifice LP	582-851
3	Flexible Gas Connector	383-302A
4	Burner Assembly NG	2078-010
	Burner Assembly LP	2078-012
5	Pilot Bracket	2078-108
6	Hood	SRV60-143-BK
7	Glass Door Assembly	GLA-6TRXI
8	Dress Guard	2078-040
9	Top Louver	392-182A
10	Lower Door	2078-041
11	Grate	2049-020
12	Base Refractory	2078-110
13	Blower Assembly 240v.	100-505A
14	Junction Box	2078-025
15	Cord	546-251A
16	Pilot Assembly NG	2098-050
16	Pilot Assembly LP	2098-051
17	Switch Wire Assembly	2098-145
18	Heat Shield Baffle	2078-100
→ 19	Gas Shutoff Assembly	303-301A
20	Rheostat	491-510A
21	Log Set Assembly	LOGS-6TRSCE
22	Log #1	SRV2049-700
23	Log #2	SRV2049-701
24	Log #3	SRV385-723
25	Log #4	SRV385-721
26	Log #5	SRV385-722
27	Insulation Board	385-401
28	Surround	2101-260
29	8 Pin Cable	2098-143
30	Ignition Module	2098-142
31	6 Volt Transformer	2098-144
32	Rheostat Knob	100-512
33	Valve Bracket	2103-114
34	Thermocouple Block	2098-146
35	Temp Sensor	046-530
36	Block Control Wire	2098-148
	Mineral Wool	050-721
	Glass Latch Assembly	386-122A
	Exhaust Restrictor	2022-107
	Vent Gasket	2025-114
	Touch-Up Paint	TUP-GBK-12
	Accessories	
	Multi Function Remote Control	REM-DLX-CE
	Conversion Kit NG	NGK-6TRSI-AUC
	Conversion Kit LP	LPK-6TRSI-AUC

LIMITED 10 YEAR WARRANTY

HEAT & GLO, a brand of Hearth & Home Technologies Inc.

In order to presumptively establish the dates to which your HEAT & GLO Limited 10 Year Warranty runs, you must mail the completed warranty card to HEAT & GLO, a brand of Hearth & Home Technologies Inc., 20802 Kensington Boulevard, Lakeville, MN 55044, within 60 days of the date of fireplace installation. If you fail to do so, you may be required to prove the date of installation before warranty work can be performed.

The warranty exclusions and limitations of liability are effective upon installation of the fireplace.

Subject to the conditions set forth herein, HEAT & GLO, a brand of Hearth & Home Technologies Inc. ("HEAT & GLO") extends the following warranty with respect to HEAT & GLO, a brand of Hearth & Home Technologies Inc..

If HEAT & GLO is reasonably satisfied that any part or portion of the fireplace covered by this Limited Warranty is defective in material or workmanship under normal use and service as described in the Operating Instructions, HEAT & GLO will take the following actions:

1. If the defect is reported during the first year from the date of installation (stainless steel burners and fiber logs are covered for 3 years), HEAT & GLO will replace or repair the defective components at its sole expense. The decision whether to replace a component shall be made at HEAT & GLO's sole discretion. This Limited Warranty does not cover components broken during shipping, misuse or careless handling. HEAT & GLO shall be not responsible for any indirect, incidental, or consequential damages or for any costs other than those incurred by HEAT & GLO to repair or replace the defective component. If components (including flueing) other than factory approved components are used, all warranty and liability on the fireplace is voided. **Defects reported after the first year will not be covered by warranty unless they fall within the purview of paragraph 2 or 3 below.**
2. If the following defects are reported during the second year after the date of installation, HEAT & GLO will supply replacement parts at the current wholesale price: defective electrical or manual components, optional components or accessories, and glass panels (not including glass panels broken during misuse or careless handling). HEAT & GLO shall not be responsible for any labor, transportation or other costs. Furthermore, it shall not be liable for any indirect, incidental or consequential damages.
3. HEAT & GLO will replace or repair a defective firebox or heat exchanger, at any time during the 10 years from the date of installation. The decision whether to replace the defective component shall be made at HEAT & GLO's sole discretion. HEAT & GLO shall not be responsible for any indirect, incidental or consequential damages or for any costs other than those incurred by HEAT & GLO to repair or replace the defective component.

This Limited Warranty is the exclusive remedy available to you. If HEAT & GLO cannot effectively resolve a warranty problem in an expedient and cost-effective manner, it can discharge its entire warranty liability by refunding the price of the product to you.

Products made by other manufacturers, whether sold with the fireplace or added thereafter, are NOT covered by this Limited Warranty. The use of other unauthorized components will make this warranty null and void. This Limited Warranty will also be void if the appliance is not installed by a qualified installer in accordance with the Installation Instructions. Furthermore, the Limited Warranty will be void if the fireplace is not operated, at all times, according to the Operating Instructions furnished with the fireplace. Any service work must be performed by authorized service representatives.

EXCEPT TO THE EXTENT PROVIDED BY LAW, NO OTHER EXPRESS OR IMPLIED WARRANTIES, INCLUDING WARRANTIES OF MERCHANTABILITY OR FITNESS FOR A PARTICULAR PURPOSE, SHALL APPLY TO THE FIREPLACE PRODUCT. In States that do not allow limitations on how long an implied warranty lasts, or do not allow exclusion of indirect damages, those limitations or exclusions may not apply to you. You may also have additional rights not covered in this Limited Warranty.

HEAT & GLO reserves the right to make changes at any time, without notice, in design, material, specifications and prices. It also reserves the right to discontinue styles and products.

For Service or Replacement Parts Contact:

Melbourne

Jetmaster
444 Swan Street
Richmond 3121
(03) 9429-5573

Perth

Fireplace Corner
277 Lord Street
East Perth 6000
(08) 9228-2600

Sydney

Jetmaster
10 Martin Avenue
Arncliffe 2205
(02) 9597-7222