

GFK-210-C Blower System

- Installation and Operating Instructions -

1.0 INTRODUCTION

The GFK-210-C Blower System has been designed to circulate room air through the fireplace to enhance heat output. The GFK-210-C blower system operates on 120 VAC, 60 Hz power. This is available through a receptacle in the factory installed power cord assembly. The power cord is located in the controls compartment of the fireplace.

An optional variable speed control is available for use with the blower system to provide quiet forced air flow at the desired speeds. A temperature sensor switch, which automatically turns the blower ON/OFF, is also provided with this kit. See Figure 2 and Section 8.0.

NOTICE: The variable speed control and temperature sensor switch are not used with some remote control systems.

CAUTION! Do not install a damaged blower kit.

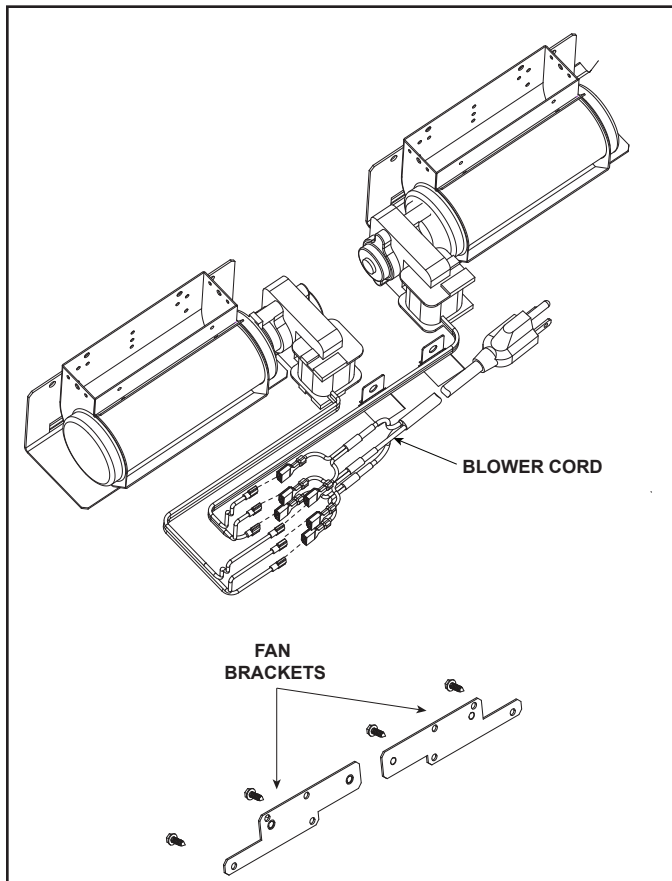


Figure 1. Carton Contents - GFK-210-C

2.0 CHECK CONTENTS OF SHIPPING CARTON

Compare CONTENTS OF CARTON in Figure 1 with the actual parts received. If any parts are missing or damaged, contact your dealer before starting installation.

3.0 INSTALLATION PRECAUTIONS

The GFK-210-C Blower Kit is tested and safe when installed in accordance with this installation manual. It is your responsibility to read all instructions before starting installation and to follow these instructions carefully during installation to assure maximum benefit from, and safe operation of, the blower.

This blower is carefully engineered and must be installed only as specified. If you modify it or any of its components, you may cause a fire hazard and will void the WARRANTY. In addition, such action may void the coverage provided by the owner's home insurance.

CAUTION: All wiring should be done by a qualified electrician and shall be in compliance with local codes and with the National Electric Code ANSI/NFPA NO. 70-current (in the United States), or with the current CSA C22.1 Canadian Electric Code (in Canada).

CAUTION! DO NOT connect 110-120 VAC wiring to the gas control valve of the fireplace.

WARNING! Risk of Shock! Turn electrical power off at the circuit breaker before beginning this installation.

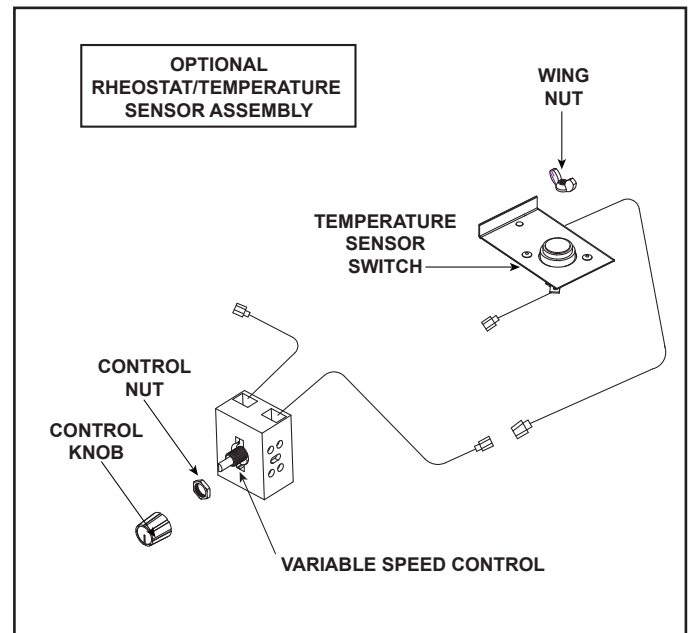


Figure 2. Carton Contents - SRV2206-800

4.0 INSTALLING THE BLOWER (Metal Inserts)

1. Remove factory-installed blower brackets by removing four screws. Brackets are only used for the FireBrick inserts. See Figure 3.
2. Remove appliance from wall.
3. Remove access panel by removing four screws. See Figure 4.
4. Screw blowers to access panel on rear of insert with four screws. See Figure 5.
5. Plug the blower cord into the blower receptacle. Connect the white, black, and green spade connectors from blower cord harness to each blower. See Figure 1 and Figure 7.
6. Bundle and zip tie any wires to keep them from contacting the fan blades. See Figure 7, Detail A.
7. Reinstall access panel.

NOTE: Install the blower using the access panel located on the back side of the appliance.



Figure 4. Remove Access Cover

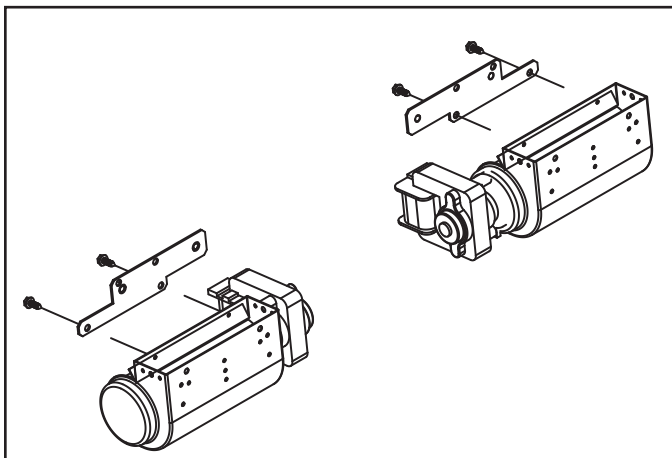


Figure 3. Remove Blower Brackets

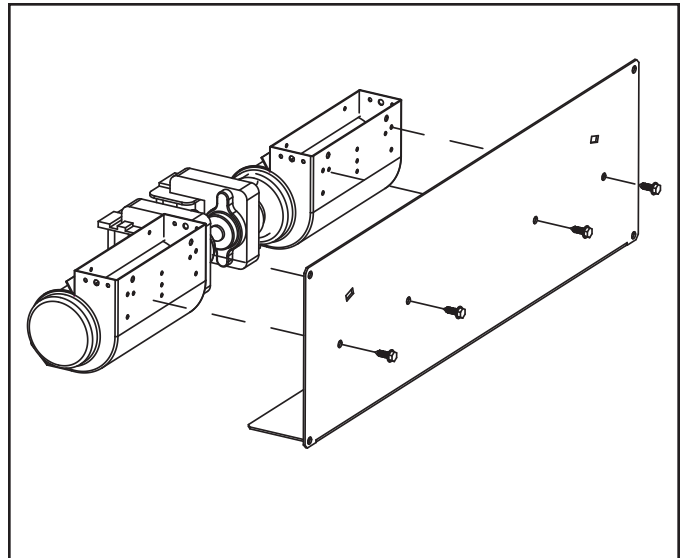


Figure 5. Attach Blowers to Access Cover

5.0 INSTALLING THE OPTIONAL VARIABLE SPEED CONTROL AND TEMPERATURE SENSOR SWITCH

If using a remote control system that utilizes a blower (fan) control, disregard steps 1-3 and follow remote control installation instructions.

NOTICE! The sensor switch and rheostat are not used if the blower is controlled with the RC300 remote control.

1. Slide the variable speed control behind the control panel. With the stem sticking out of the pre-punched hole, attach the locknut tightly and reattach the knob on the stem. See Figure 6. Turn the speed control switch to the "ON" position.
2. Slide the temperature sensor switch onto the blower stud located on the bottom of the combustion box. See Figure 3. Secure the temperature sensor switch with the wing nut provided.

NOTICE: The blower stud is located on the bottom of the combustion box. See Figure 6.

NOTICE: The temperature sensor switch must be installed so that the sensor switch is facing the combustion box surface. See Detail A of Figure 6.

3. Connect the variable speed control and the temperature sensor switch to the power cord. See Figure 7.
4. Gather the loose wires underneath the appliance and use the zip ties to restrain them and keep them away from the blower wheel (fan blades). See Figure 7, Detail A.
5. Turn the 110-120 VAC service "ON" at the circuit breaker.

6.0 RECOMMENDED OPERATING PROCEDURES WHEN VARIABLE SPEED CONTROL AND TEMPERATURE SENSOR SWITCH ARE USED

Ignite the fire in the fireplace with the variable speed control switch in an "ON" position. The fan will automatically turn on when the temperature sensor switch closes at approximately 110° F. Heated air will be delivered at the outlet grille. The fan will continue to operate after the fireplace is turned OFF until the temperature sensor switch opens.

NOTICE! During operation, ensure that all wiring is kept away from the blower wheel (fan blades).

Various conditions (such as fireplace model, type of fireplace installation, outside air temperature vs. inside air temperature) can contribute to the length of the time the blower remains on after the fireplace is turned OFF. The blower can be turned off manually with the speed control switch.

WARNING! Risk of Injury! DO NOT contact the blower wheel (fan blades) during operation.

7.0 MAINTENANCE

Periodically check the fireplace and remove any dust, dirt or obstructions.

8.0 REPLACEMENT PARTS AND CUSTOMER SERVICE

Replacement parts and service may be obtained through your dealer.

Rheostat/Temperature Sensor Assembly:
SRV2206-800

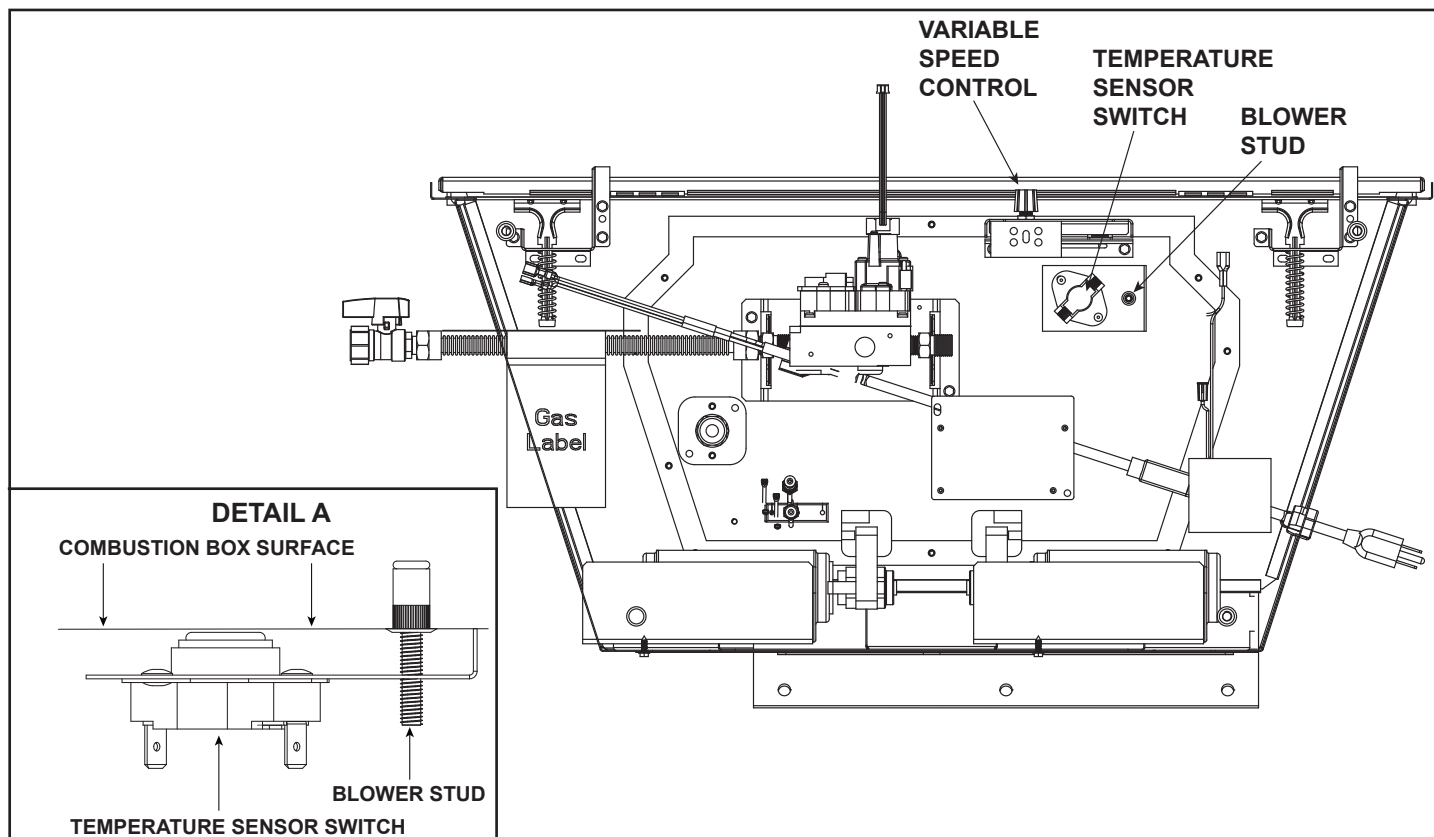


Figure 6.

NOTE: IF ANY OF THE ORIGINAL WIRE AS SUPPLIED WITH THE APPLIANCE MUST BE REPLACED, IT MUST BE REPLACED WITH TYPE 105° C RATED WIRE.

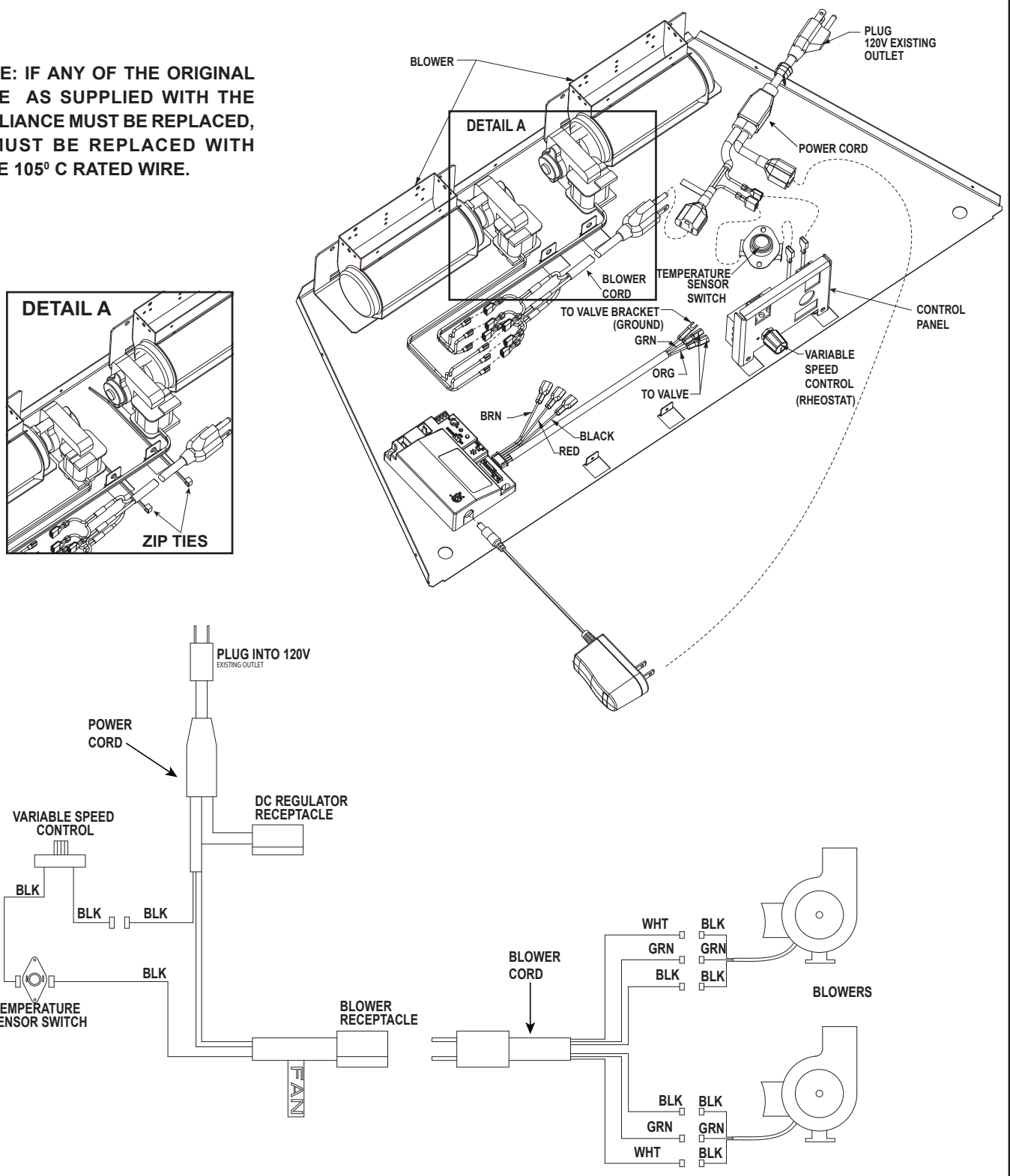


Figure 7. Fan Wiring Diagram - Metal Insert Without RC200/RC300

9.0 Fan Wiring with Remote

This appliance may be used with an RC200 or RC300 remote control. See Figure 8.

1. Remove cord assembly spades from rheostat and sensor switch.

NOTICE: Fan speed and operation are controlled by the remote control. The sensor switch and rheostat are no longer needed.

2. Plug two cord assembly spade connectors together.
3. Unplug fan cord assembly from standard cord assembly.
4. Install fuse wire assembly in series between the black lead wires of the fan cord and black lead wire on each blower. See Figure 8.
5. Plug fan cord assembly into AUX300 module.
6. Plug AUX300 module into the standard cord assembly.

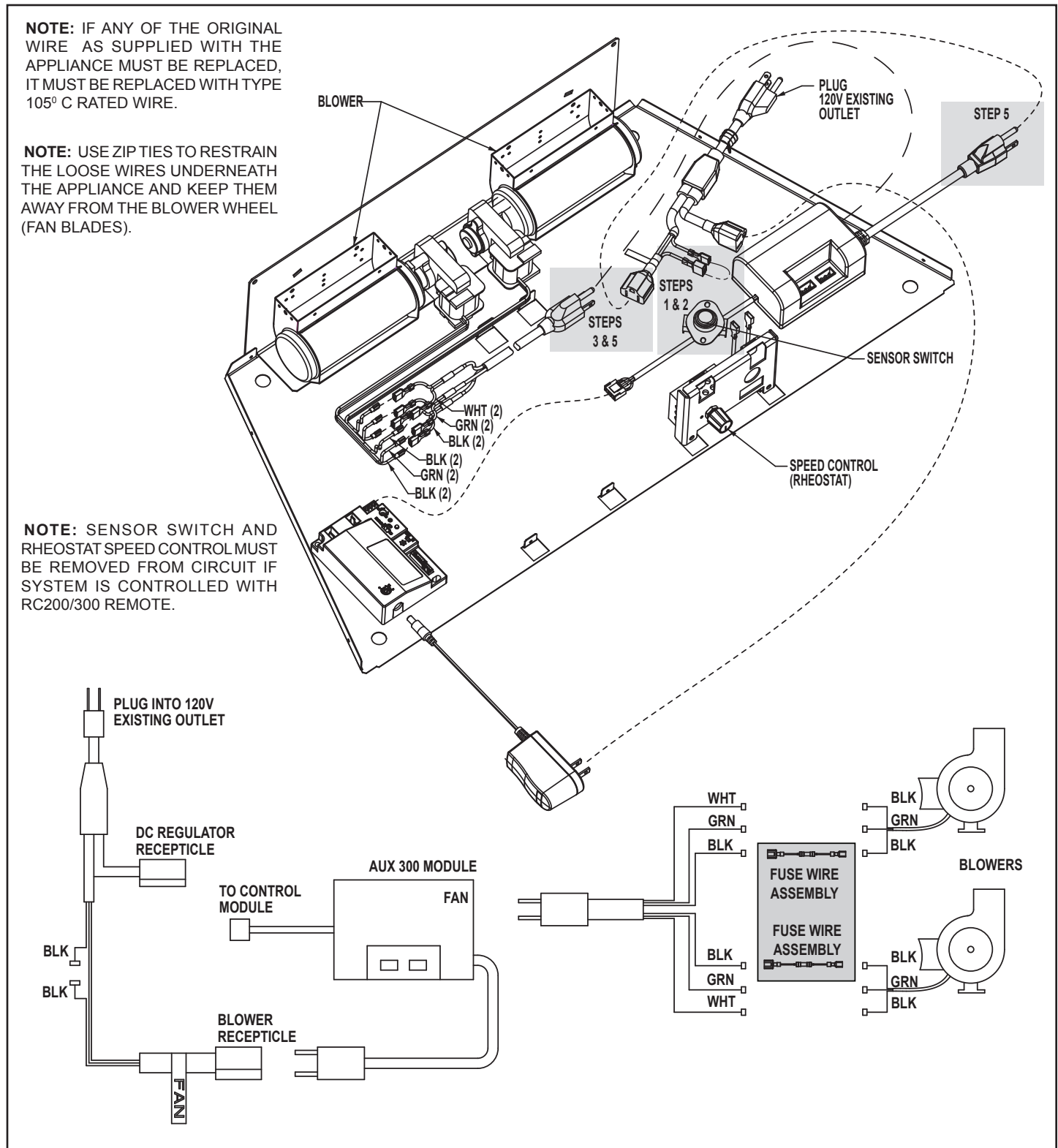


Figure 8. Fan Wiring Diagram - Metal Insert with RC200/RC300 Remote

10.0 INSTALLING THE BLOWER (FireBrick Inserts)

**For Models: ESCAPE-I30FB, ESCAPE-I35FB,
QFI30FB, QFI35FB**

The factory installed brackets must be replaced with the brackets included in the instruction bag before proceeding with blower installation instructions below. See Figure 9.

**For Models: ESCAPE-I30-C, ESCAPE-I35-C,
QFI30FB-C, QFI35FB-C**

Proceed as follows:

1. Remove appliance from wall.
2. Disconnect power by shutting off circuit breaker or unplugging appliance power cord from its receptacle.
3. Remove access panel from lower rear of the fireplace insert. See Figure 10.
4. Connect white and green wires from blower wire assembly to each blower. See Figure 12. Connect the fuse wire assembly in series between black wires of blower wire assembly and each blower. See Figure 12.
5. Route blower plug assembly through back of appliance to right side of appliance. Ensure cable assembly is routed in front of fan blade guard and through plastic bushing on auxiliary mounting plate.
6. Insert plug from blower cable assembly into AUX300 receptacle. See Figure 12.
7. Position the right and left blower assembly into the rear opening. Fasten each assembly with two sheetmetal screws. Take care to ensure that blower housing or its motor is clear of any adjacent metal. This will ensure that no undue noise occurs during blower operation.
8. Bundle and zip tie loose wires to keep them from contacting blower impeller blades
9. Reinstall access panel.
10. Reconnect power to the insert and install into wall.

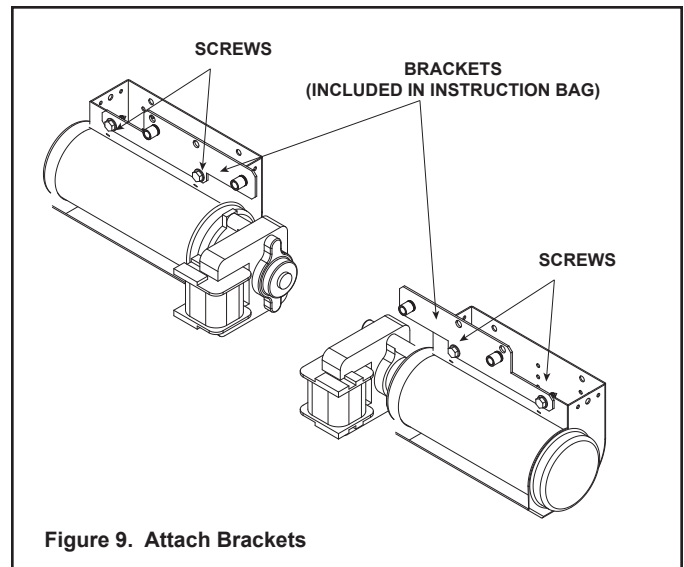


Figure 9. Attach Brackets

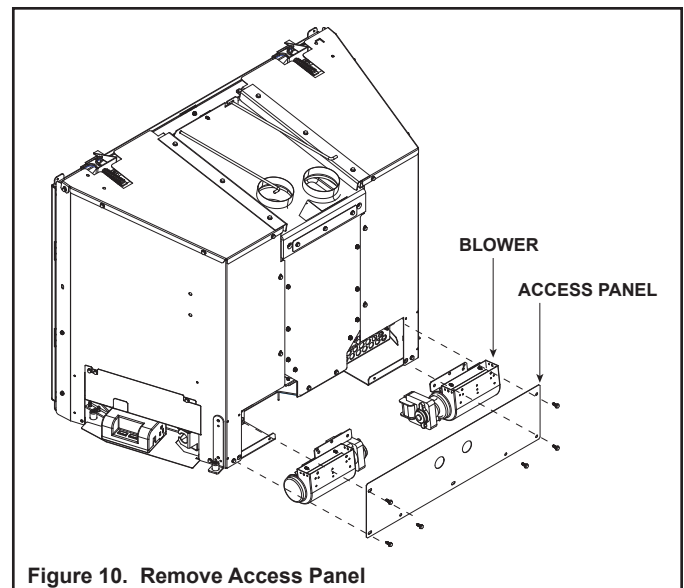


Figure 10. Remove Access Panel

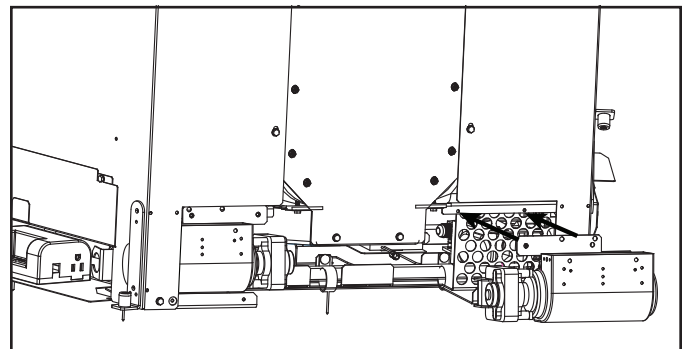


Figure 11. Attach Blower to Base

Note: if any of the original wire as supplied with the appliance must be replaced, it must be replaced with type 105 °C rated wire.

Note: use zip ties to restrain the loose wires underneath the appliance and keep them away from the blower wheel (fan blades).

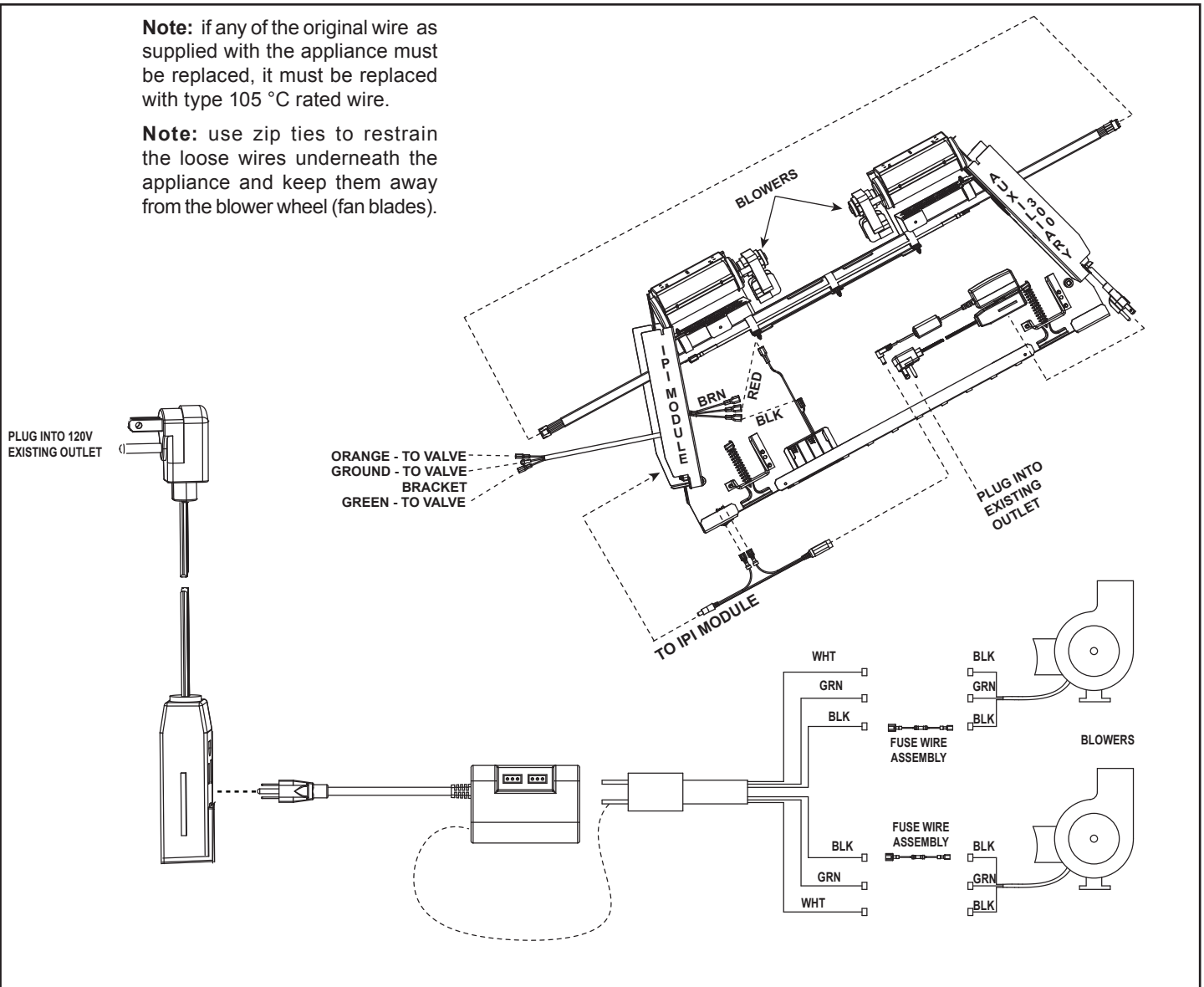


Figure 12. Fan Wiring Diagram - FireBrick Inserts

Please contact your Hearth & Home Technologies dealer with any questions or concerns.
 For the location of your nearest
 Hearth & Home Technologies dealer,
 please visit www.fireside.com.

Hearth & Home Technologies Inc.
 7571 215th Street West, Lakeville, MN 55044
www.fireside.com