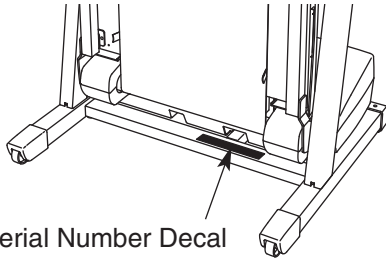


HEALTHRIDER®

PRO H450i

Model No. HRTL61706.0

Serial No. _____



Serial Number Decal

USER'S MANUAL

QUESTIONS?

As a manufacturer, we are committed to providing complete customer satisfaction. If you have questions, or if parts are damaged or missing, PLEASE CONTACT OUR CUSTOMER SERVICE DEPARTMENT DIRECTLY.

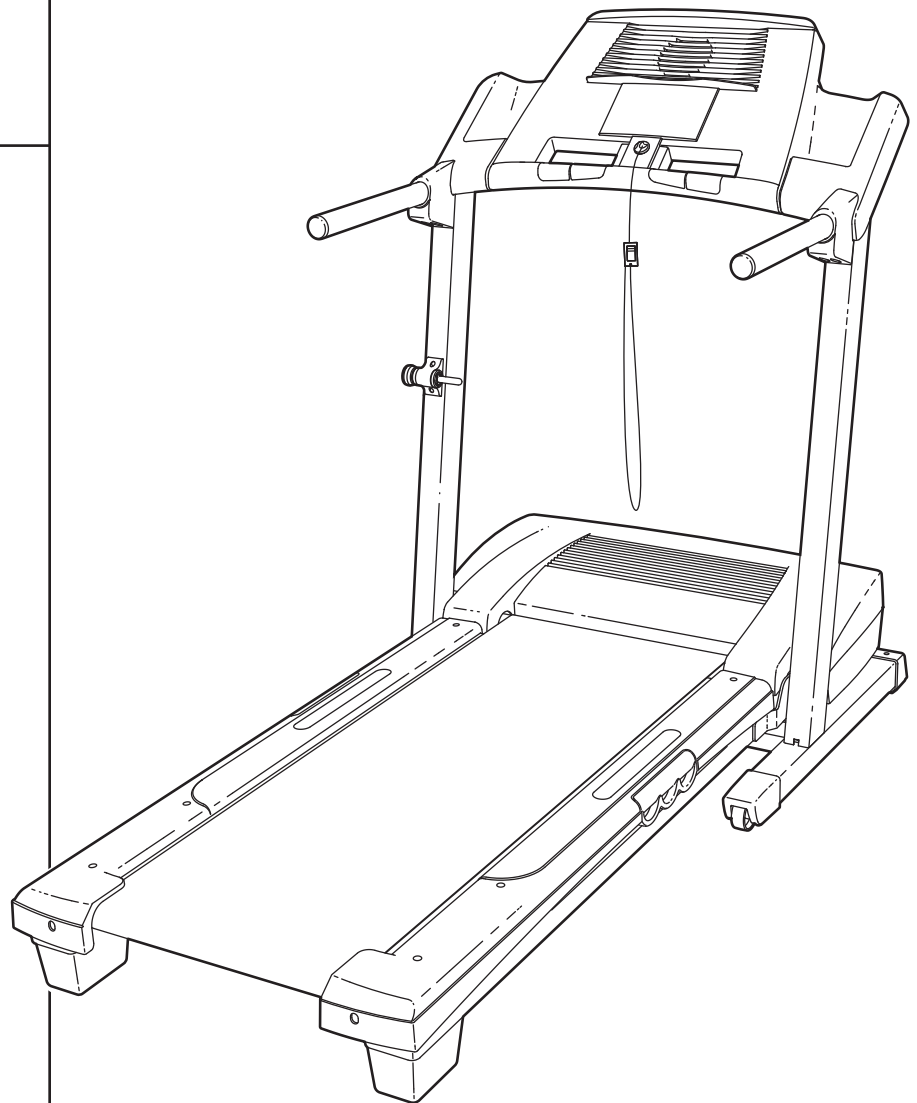
CALL TOLL-FREE:

1-888-922-4222

Mon.–Fri., 6 a.m.–6 p.m. MST

ON THE WEB:

www.healthriderservice.com



CAUTION

Read all precautions and instructions in this manual before using this equipment. Save this manual for future reference.



Visit our website at

www.healthrider.com

new products, prizes,
fitness tips, and much more!

HEALTHRIDER®

PRO H450i

TABLE OF CONTENTS

IMPORTANT PRECAUTIONS3
BEFORE YOU BEGIN5
ASSEMBLY6
OPERATION AND ADJUSTMENT12
HOW TO FOLD AND MOVE THE TREADMILL20
TROUBLESHOOTING22
CONDITIONING GUIDELINES24
PART LIST26
ORDERING REPLACEMENT PARTS27
LIMITED WARRANTYBack Cover

IMPORTANT PRECAUTIONS

⚠ WARNING: To reduce the risk of burns, fire, electric shock, or injury to persons, read the following important precautions and information before operating the treadmill.

1. It is the responsibility of the owner to ensure that all users of this treadmill are adequately informed of all warnings and precautions.
2. Use the treadmill only as described.
3. Place the treadmill on a level surface, with at least eight feet of clearance behind it and two feet on each side. Do not place the treadmill on any surface that blocks air openings. To protect the floor or carpet from damage, place a mat under the treadmill.
4. Keep the treadmill indoors, away from moisture and dust. Do not put the treadmill in a garage or covered patio, or near water.
5. Do not operate the treadmill where aerosol products are used or where oxygen is being administered.
6. Keep children under the age of 12 and pets away from the treadmill at all times.
7. The treadmill should be used only by persons weighing 300 pounds or less.
8. Never allow more than one person on the treadmill at a time.
9. Wear appropriate exercise clothes when using the treadmill. Do not wear loose clothes that could become caught in the treadmill. Athletic support clothes are recommended for both men and women. *Always wear athletic shoes. Never use the treadmill with bare feet, wearing only stockings, or in sandals.*
10. When connecting the power cord (see page 12), plug the power cord into a surge suppressor (not included) and plug the surge suppressor into a grounded circuit capable of carrying 15 or more amps. No other appliance should be on the same circuit. Do not use an extension cord.
11. Use only a single-outlet surge suppressor that meets all of the specifications described on page 12. To purchase a surge suppressor, see your local HealthRider dealer or call the toll-free telephone number on the front cover of this manual and order part number 146148, or see your local electronics store.
12. Failure to use a properly functioning surge suppressor could result in damage to the control system of the treadmill. If the control system is damaged, the walking belt may change speed, accelerate, or stop unexpectedly, which may result in a fall and serious injury.
13. Keep the power cord and the surge suppressor away from heated surfaces.
14. Never move the walking belt while the power is turned off. Do not operate the treadmill if the power cord or plug is damaged, or if the treadmill is not working properly. (See TROUBLESHOOTING on page 22 if the treadmill is not working properly.)
15. Read, understand, and test the emergency stop procedure before using the treadmill (see HOW TO TURN ON THE POWER on page 14).
16. Never start the treadmill while you are standing on the walking belt. Always hold the handrails while using the treadmill.
17. The treadmill is capable of high speeds. Adjust the speed in small increments to avoid sudden jumps in speed.
18. The pulse sensor is not a medical device. Various factors, including the user's movement, may affect the accuracy of heart rate readings. The pulse sensor is intended only as an exercise aid in determining heart rate trends in general.
19. Use the included dumbbells only as described in this manual. Properly store the dumbbells in the dumbbell holders on the console when you are not using them (see page 5). If the dumbbells are improperly stored, they may fall off the console, causing the user to trip.

20. Never leave the treadmill unattended while it is running. Always remove the key, unplug the power cord, and switch the reset/off circuit breaker to the off position when the treadmill is not in use. (See the drawing on page 5 for the location of the circuit breaker.)

21. Do not attempt to raise, lower, or move the treadmill until it is properly assembled. (See ASSEMBLY on page 6, and HOW TO FOLD AND MOVE THE TREADMILL on page 20.) You must be able to safely lift 45 pounds (20 kg) to raise, lower, or move the treadmill.

22. When folding or moving the treadmill, make sure that the storage latch is fully closed.

23. Never insert any object into any opening on the treadmill.

24. Inspect and properly tighten all parts of the treadmill regularly.

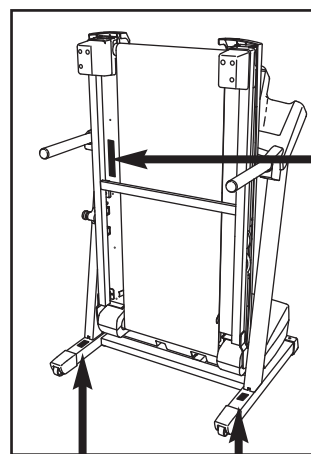
25. **DANGER:** Always unplug the power cord immediately after use, before cleaning the treadmill, and before performing the maintenance and adjustment procedures described in this manual. Never remove the motor hood unless instructed to do so by an authorized service representative. Servicing other than the procedures in this manual should be performed by an authorized service representative only.

26. This treadmill is intended for in-home use only. Do not use this treadmill in a commercial, rental, or institutional setting.

⚠ WARNING: Before beginning this or any exercise program, consult your physician. This is especially important for persons over the age of 35 or persons with pre-existing health problems. Read all instructions before using. ICON assumes no responsibility for personal injury or property damage sustained by or through the use of this product.

SAVE THESE INSTRUCTIONS

The decals shown here have been placed on the treadmill. If a decal is missing, or if it is illegible, call the toll-free telephone number on the front cover of this manual and order a free replacement decal. Apply the decal in the location shown.



⚠ WARNING:
Protect yourself and others from risk of serious injury. Read the user's manual and :

- Stand only on the side rails when starting or stopping treadmill.
- Change speed in small increments.
- Hold handrails to prevent falling, and always wear the safety clip while operating treadmill.
- Stop if you feel faint, dizzy, or short of breath.
- Fully engage storage latch before treadmill is moved or stored.
- Reduce incline to its lowest level before folding treadmill into storage position.
- Never allow children on or around treadmill.
- Remove key when not in use.
- Keep clothing, fingers, and hair away from moving belt.
- Never try to adjust or fix the belt while it is moving.
- Always wear athletic shoes while operating treadmill.

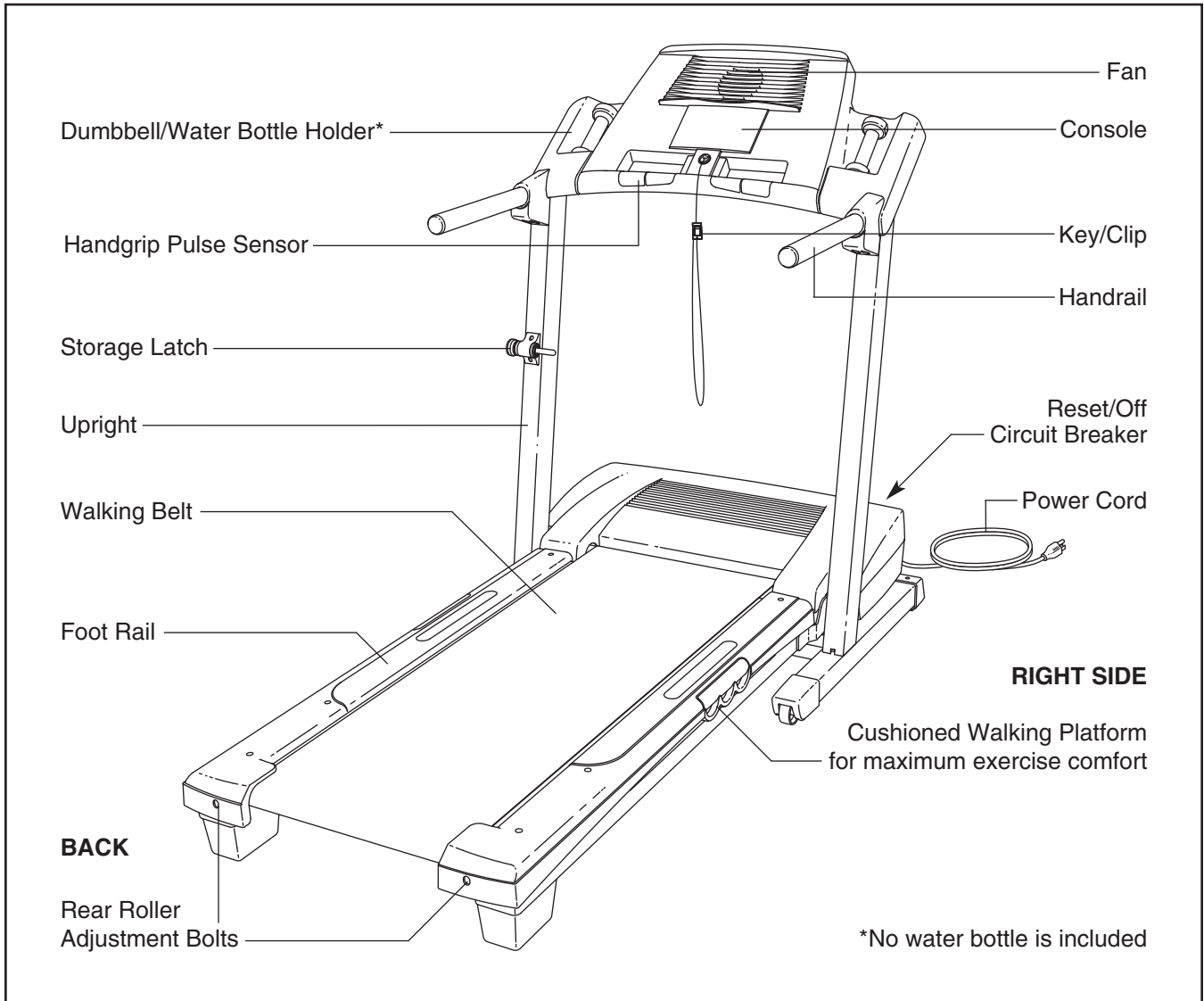
BEFORE YOU BEGIN

Thank you for selecting the revolutionary HealthRider® PRO H450i treadmill. The PRO H450i treadmill offers an impressive array of features designed to make your workouts at home more enjoyable and effective. And when you're not exercising, the unique PRO H450i treadmill can be folded up, requiring less than half the floor space of other treadmills.

For your benefit, read this manual carefully before using the treadmill. If you have questions after read-

ing this manual, please see the front cover of this manual. To help us assist you, please note the product model number and serial number before contacting us. The model number of the treadmill is HRTL61706.0. The serial number can be found on a decal attached to the treadmill (see the front cover of this manual for the location).

Before reading further, please review the drawing below and familiarize yourself with the labeled parts.



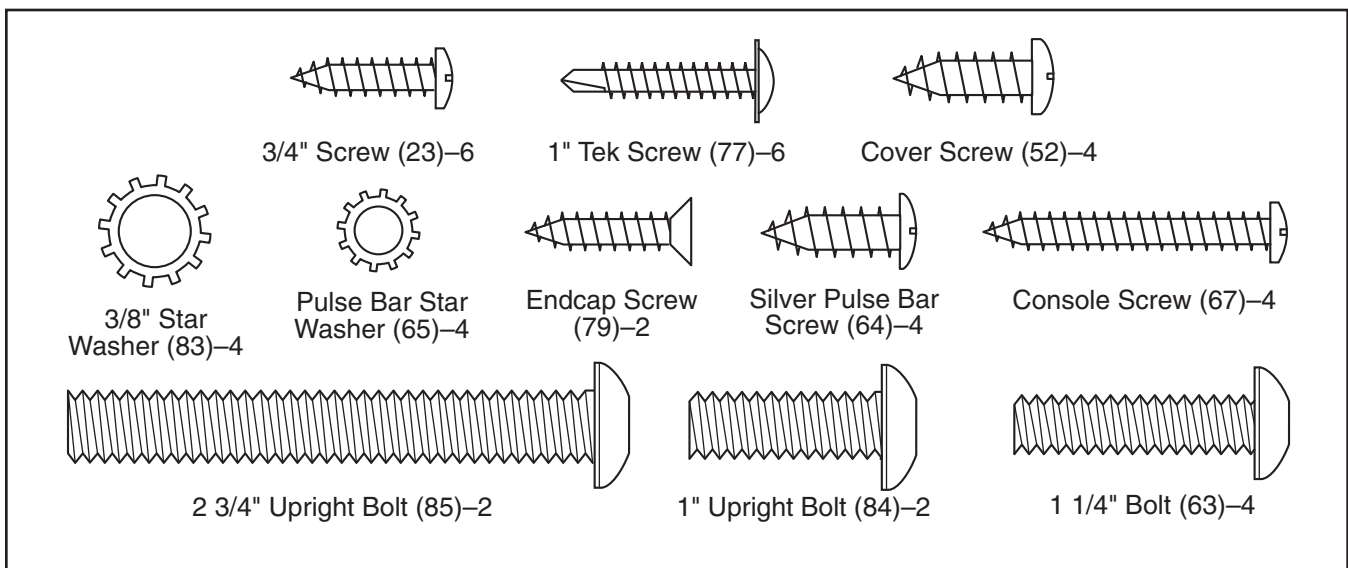
ASSEMBLY

Assembly requires two persons. Set the treadmill in a cleared area and remove all packing materials. **Do not dispose of the packing materials until assembly is completed.**

Set the treadmill in a cleared area and remove all packing materials. Do not dispose of the packing materials until assembly is completed. Note: The underside of the treadmill walking belt is coated with high-performance lubricant. During shipping, a small amount of lubricant may be transferred to the top of the walking belt or the shipping carton. This is a normal condition and does not affect treadmill performance. If there is lubricant on top of the walking belt, simply wipe off the lubricant with a soft cloth and a mild, non-abrasive cleaner.

Assembly requires the included hex key  and your own phillips screwdriver .

Use the drawings below to identify the hardware used during assembly. **Note: If a part is not in the parts bag, check to see if it has been preattached to one of the parts to be assembled. To avoid damaging plastic parts, do not use power tools for assembly.**

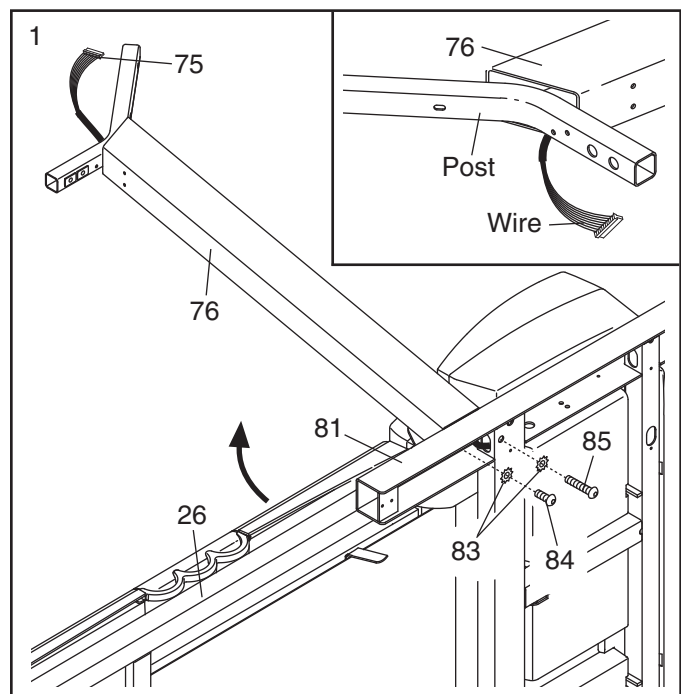


1. Make sure that the power cord is unplugged.

With the help of a second person, carefully tip the treadmill onto its left side as shown. Partially fold the Frame (26) so that the treadmill is more stable. **Do not fully fold the Frame until the treadmill is completely assembled.**

Identify the Right Upright (76) which has a RIGHT sticker. Hold the Right Upright near the Base (81). Insert the Upright Wire (75) into the Right Upright until the Upright Wire is extending from the upper end of the Right Upright. Note: Make sure that the Upright Wire is extending from the side of the post as shown in the inset drawing. Remove the tie from the Upright Wire.

Thread a 2 3/4" Upright Bolt (85) and a 1" Upright Bolt (84) with 3/8" Star Washers (83) into the Base (81) and the bottom of the Right Upright (76). **Do not tighten the Upright Bolts yet.**

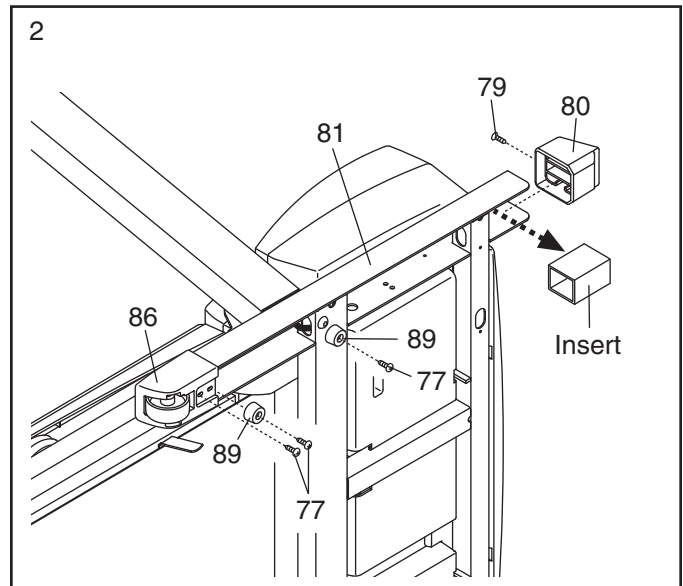


- Remove the packing insert from the location shown in each side of the Base (81) (only one side is shown). If necessary, use a tool to help pry out the insert. Then, discard the insert.

Slide a Front Endcap (80) onto the Base (81). Partially tighten a Endcap Screw (79) into the Front Endcap and the base.

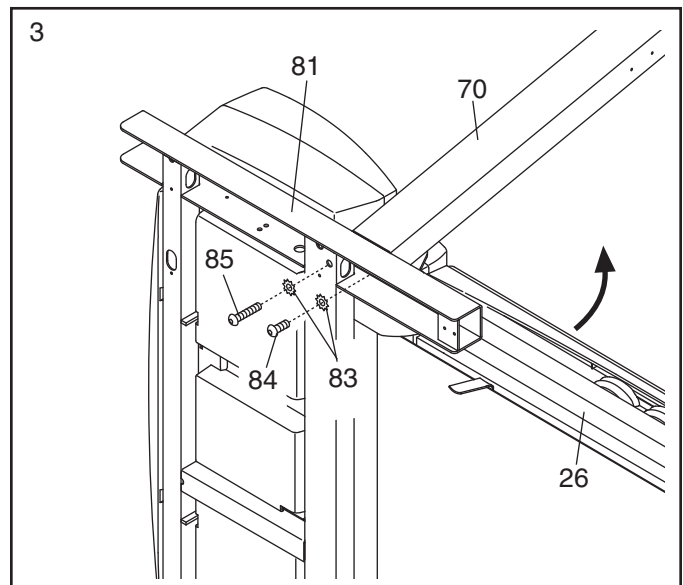
Slide a Wheel Housing (86) onto the Base (81). Attach the Wheel Housing with two 1" Tek Screws (77) and a Base Pad (89) as shown.

Attach an additional Base Pad (89) to the Base (81) with a 1" Tek Screw (77).



- With the help of a second person, carefully tip the treadmill onto its right side as shown. Partially fold the Frame (26) so the treadmill is more stable. **Do not fully fold the Frame until the treadmill is completely assembled.**

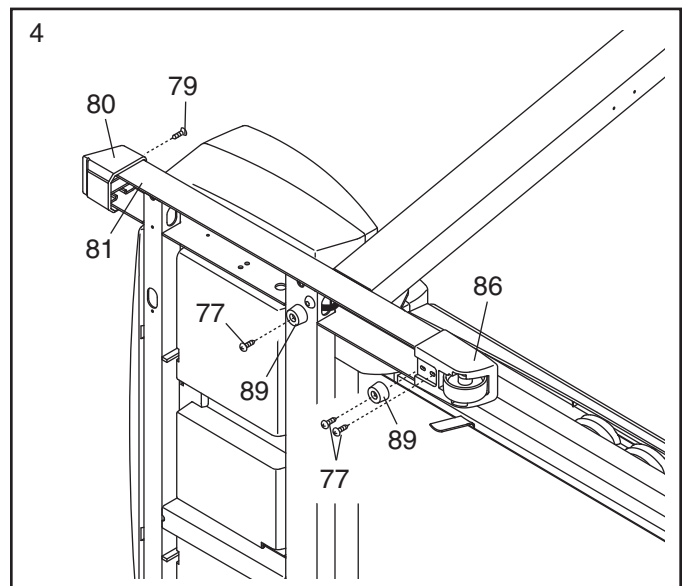
Hold the Left Upright (70) against the Base (81). Then, thread a 2 3/4" Upright Bolt (85) and a 1" Upright Bolt (84) with 3/8" Star Washers (83) into the Base (81) and the bottom of the Left Upright (70). **Do not tighten the Upright Bolts yet.**



- Slide a Front Endcap (80) onto the Base (81). Partially tighten a Endcap Screw (79) into the Front Endcap and the base.

Slide a Wheel Housing (86) onto the Base (81). Attach the Wheel Housing with two 1" Tek Screws (77) and a Base Pad (89) as shown.

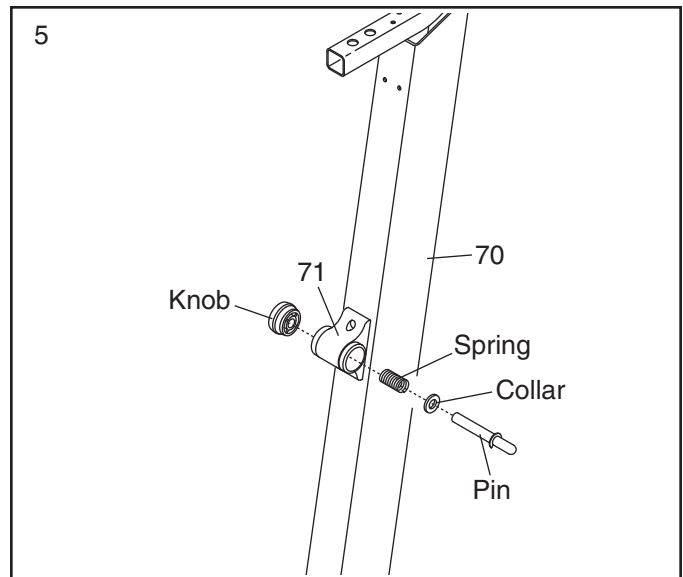
Attach an additional Base Pad (89) to the Base (81) with a 1" Tek Screws (77).



5. With the help of a second person, carefully raise the Left Upright (70) and the Right Upright (not shown) to a vertical position.

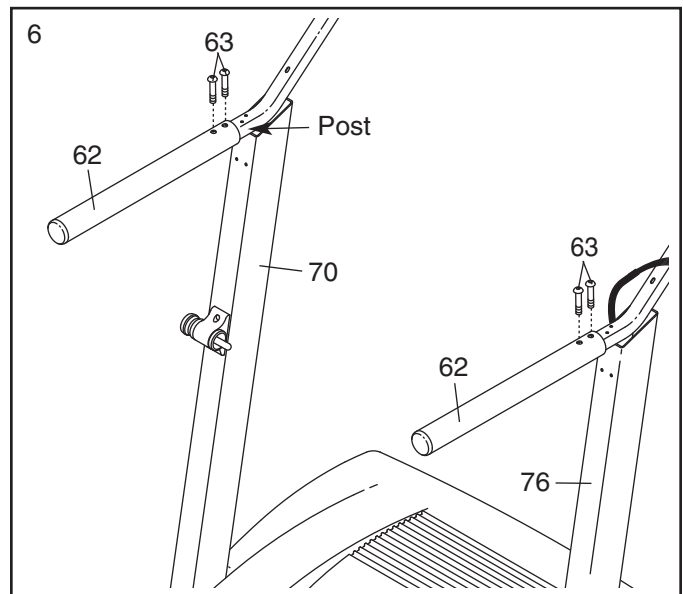
Remove the knob from the pin. Make sure that the collar and the spring are on the pin. (Note: If there are two collars, place one on each side of the spring.) Then, insert the pin into the Latch Housing (71), and tighten the knob onto the pin.

See steps 2 and 4. Fully tighten the two Endcap Screws (79).



6. Slide a Handrail (62) onto the post on the Left Upright (70). Finger tighten two 1 1/4" Bolts (63) into the Handrail and the post; **do not fully tighten the Bolts yet.**

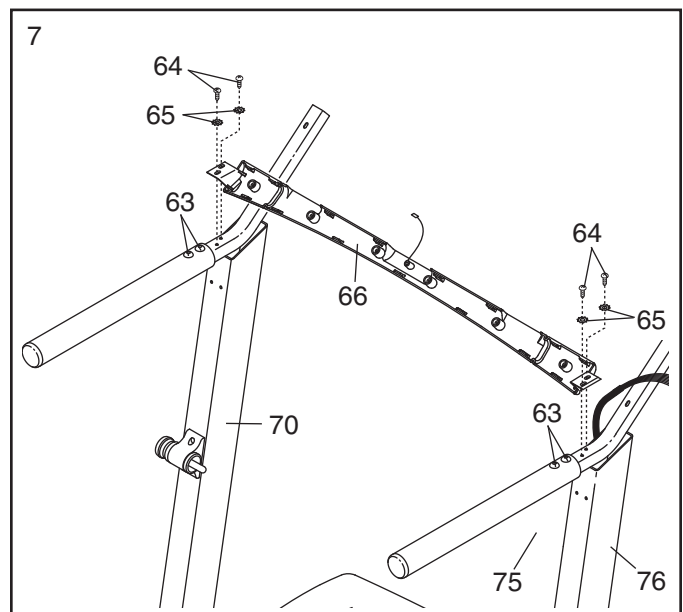
Attach the other Handrail (62) to the Right Upright (76) in the same way.



7. Make sure that the Upright Wire (75) is positioned at the side of the post on the Right Upright (76) as shown.

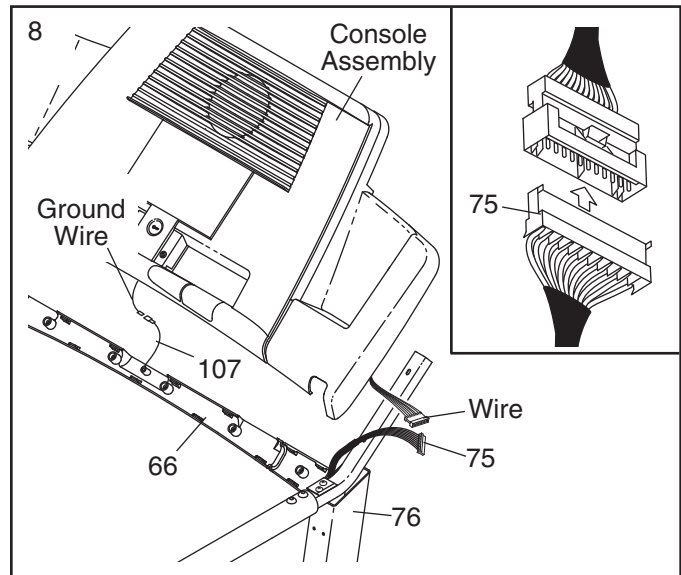
Set the Pulse Bar (66) on the Left and Right Uprights (70, 76). Attach the Pulse Bar with four Silver Pulse Bar Screws (64) and four Pulse Bar Star Washers (65). **Start all four Silver Pulse Bar Screws before firmly tightening them.**

Firmly tighten the four 1 1/4" Bolts (63).



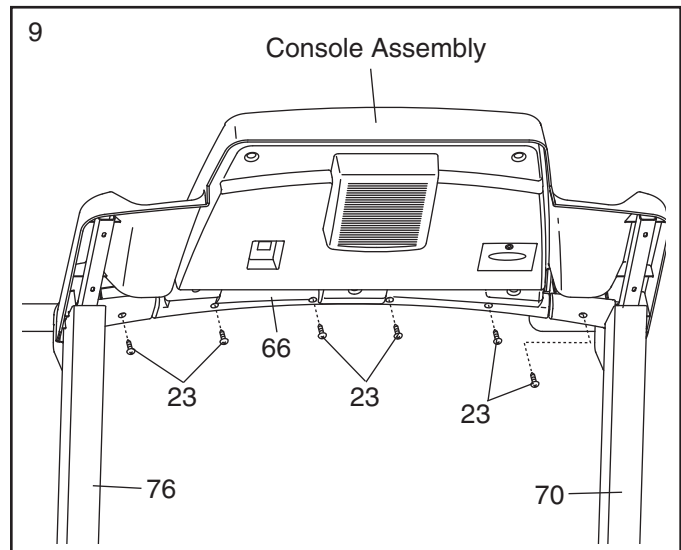
8. While a second person holds the console assembly near the Pulse Bar (66), connect the Ground Wire (107) on the Pulse Bar to the ground wire from the console assembly.

Connect the wire from the console assembly to the Upright Wire (75). **Make sure to connect the connectors properly (see the inset drawing). The connectors should slide together easily and snap into place.** If the connectors do not slide together easily and snap into place, turn one connector and then try again. **IF THE CONNECTORS ARE NOT CONNECTED PROPERLY, THE CONSOLE MAY BE DAMAGED WHEN THE POWER IS TURNED ON.** Lay the wires inside the bottom of the Pulse Bar (66).



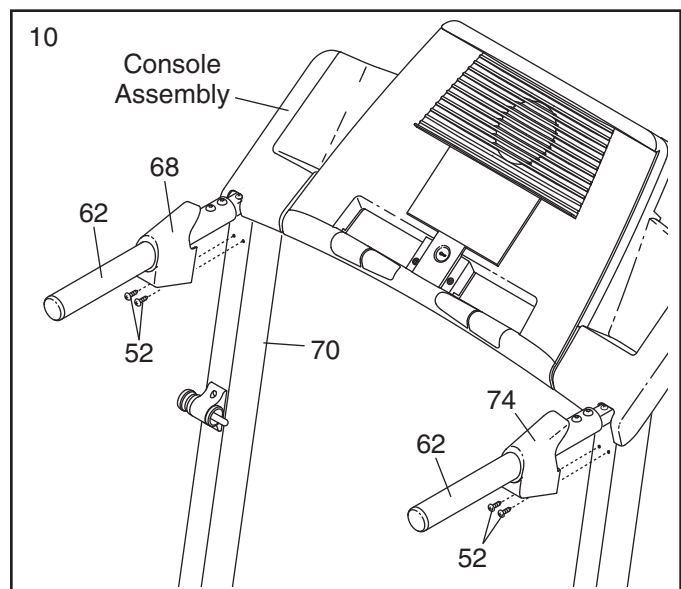
9. Set the console assembly on the Left and Right Uprights (70, 76). **Be careful not to pinch any wires.**

Attach the console assembly to the Pulse Bar (66) with six 3/4" Screws (23). **Start all six Screws, before tightening them yet.**



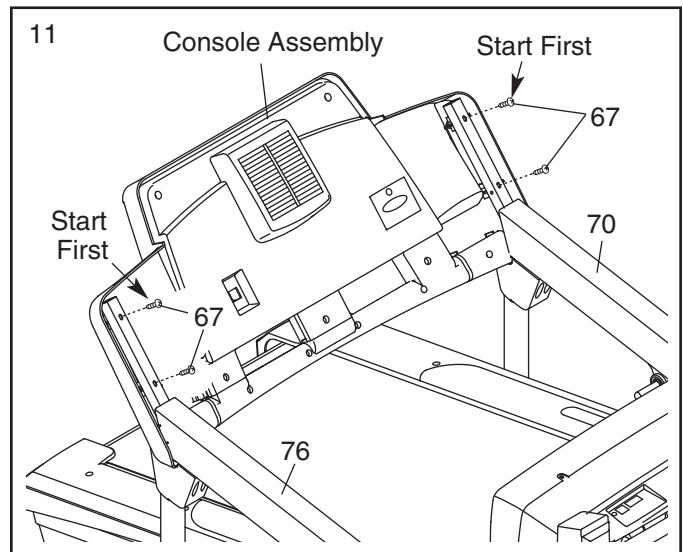
10. Identify the Left Handrail Cover (68), which has a LEFT sticker on it. Slide the Left Handrail Cover onto the left Handrail (62) and up against the console assembly. Tighten two Cover Screws (52) into the Left Handrail Cover and the Left Upright (70); **be careful not to overtighten the Cover Screws.**

Attach the Right Handrail Cover (74) in the same way.



11. Lower the Uprights (70, 76) as shown.

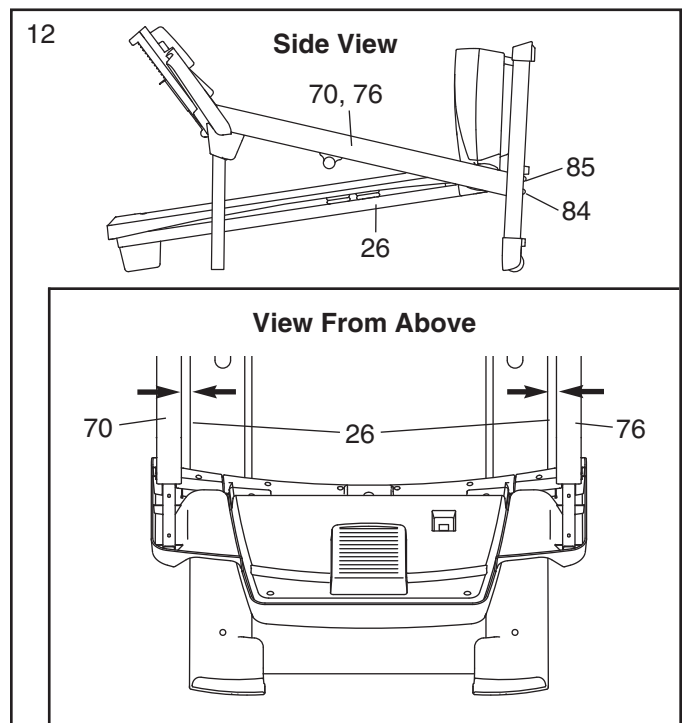
Start the two indicated Console Screws (67) into the Left and Right Uprights (70, 76) and the console assembly. If necessary, pull back on the console assembly slightly to align the holes in the Uprights with those on the console assembly. **Start the other two Console Screws before tightening all four; do not over-tighten the Console Screws.**



12. See the inset drawing. Push the Uprights (70, 76) sideways so that the treadmill Frame (26) is centered between the Uprights.

Firmly tighten the Upright Bolts (84, 85) on each side of the treadmill.

With the help of a second person, carefully raise the Left Upright (70) and the Right Upright (76) to a vertical position



13. **Make sure that all parts are properly tightened before you use the treadmill.** If there are sheets of clear plastic on the treadmill decals, remove the plastic. To protect the floor or carpet, place a mat under the treadmill. Note: Extra hardware may be included. Keep the included hex key in a secure place; the large hex key is used to adjust the walking belt (see page 23).

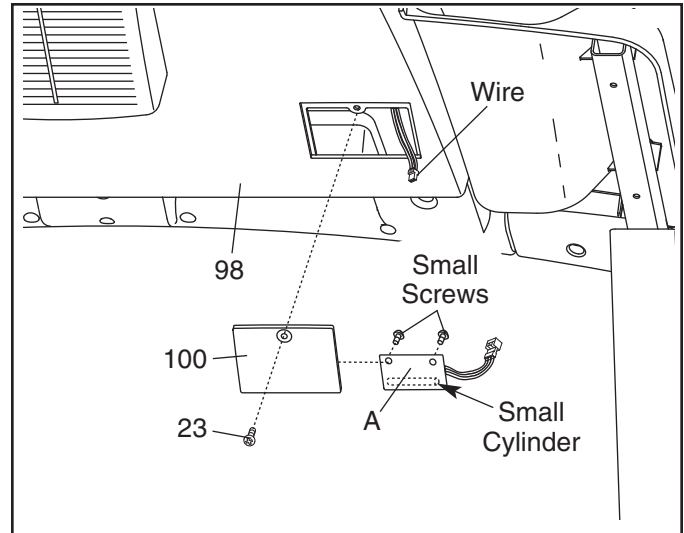
If you purchase the optional chest pulse sensor (see page 19), follow the steps below to install the receiver included with the chest pulse sensor.

1. **Remove the key from the console and unplug the power cord.**

Remove the 3/4" Screw (23) and the Access Door (100) from the back of the Console Base (98).

2. Connect the wire on the receiver (A) to the indicated wire extending from the Console Base (98). **Hold the receiver so the small cylinder is oriented as shown and is facing the Console Base.** Attach the receiver to the plastic posts on the Access Door (100) with the two included small screws.

3. **Make sure that no wires are pinched.** Reattach the Access Door (100) with the 3/4" Screw (23). Discard the other wires included with the receiver.



OPERATION AND ADJUSTMENT

THE PRE-LUBRICATED WALKING BELT

Your treadmill features a walking belt coated with high-performance lubricant. **IMPORTANT: Never apply silicone spray or other substances to the walking belt or the walking platform. Such substances will deteriorate the walking belt and cause excessive wear.**

HOW TO PLUG IN THE POWER CORD

⚠ DANGER: Improper connection of the equipment-grounding conductor can result in an increased risk of electric shock. Check with a qualified electrician or serviceman if you are in doubt as to whether the product is properly grounded. Do not modify the plug provided with the product—if it will not fit the outlet, have a proper outlet installed by a qualified electrician.

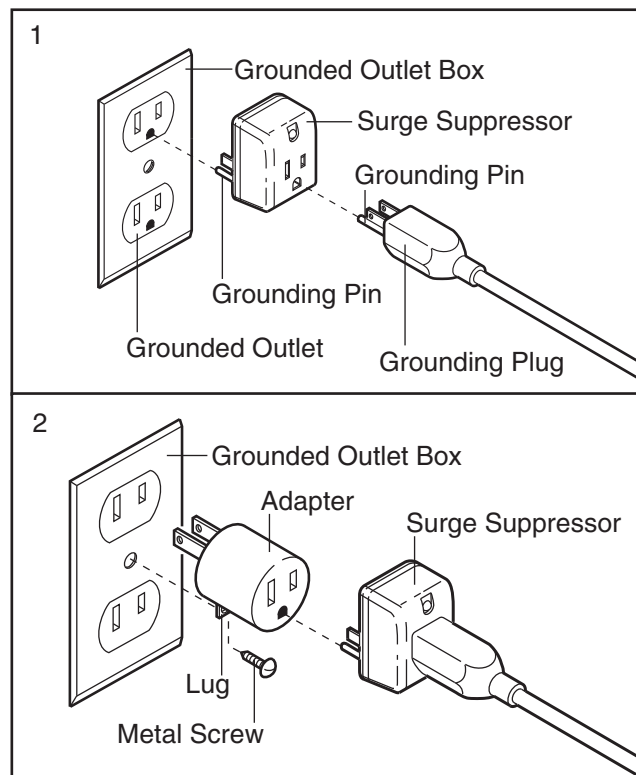
Your treadmill, like any other type of sophisticated electronic equipment, can be seriously damaged by sudden voltage changes in your home's power. Voltage surges, spikes, and noise interference can result from weather conditions or from other appliances being turned on or off. **To decrease the possibility of your treadmill being damaged, always use a surge suppressor with your treadmill (see drawing 1 at the right).** To purchase a surge suppressor, see your local HealthRider dealer or call the toll-free telephone number on the front cover of this manual and order part number 146148, or see your local electronics store.

Use only a single-outlet surge suppressor that is UL 1449 listed as a transient voltage surge suppressor (TVSS). The surge suppressor must have a UL suppressed voltage rating of 400 volts or less and a minimum surge dissipation of 450 joules. The surge suppressor must be electrically rated for 120 volts AC and 15 amps. There must be a monitoring light on the surge suppressor to indicate whether it is functioning properly. Failure to use a properly functioning surge suppressor could result in damage to the control system of the treadmill. If the control system is damaged, the walking belt may change speed, accelerate or stop unexpectedly, which may result in a fall and serious injury.

This product must be grounded. If it should malfunction or break down, grounding provides a path of least resistance for electric current, reducing the risk of elec-

tric shock. This product is equipped with a cord having an equipment-grounding conductor and a grounding plug. **Plug the power cord into a surge suppressor, and plug the surge suppressor into an appropriate outlet that is properly installed and grounded in accordance with all local codes and ordinances. Important: The treadmill is not compatible with GFCI-equipped outlets.**

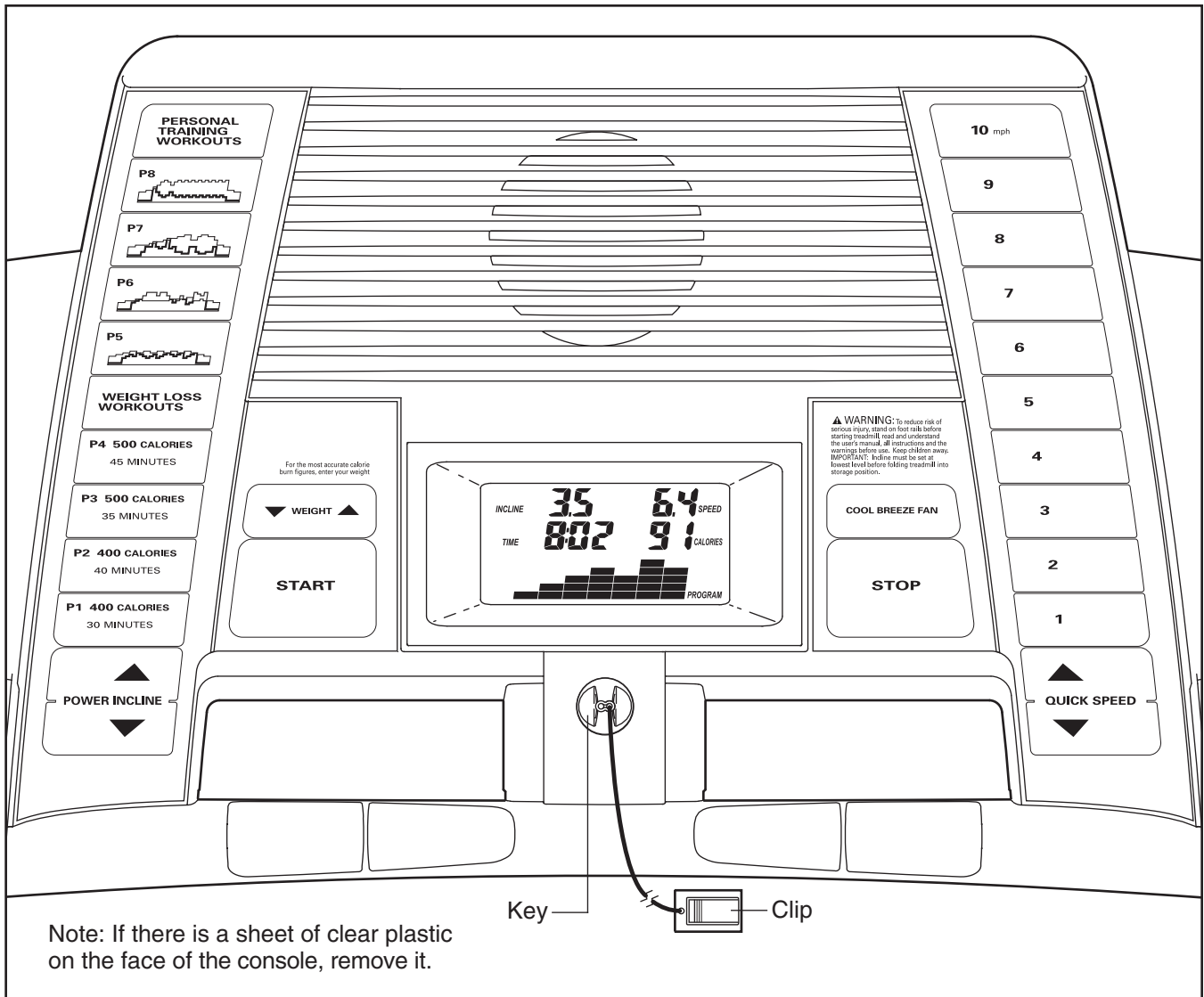
This product is for use on a nominal 120-volt circuit, and has a grounding plug that looks like the plug illustrated in drawing 1 below. A temporary adapter that looks like the adapter illustrated in drawing 2 may be used to connect the surge suppressor to a 2-pole receptacle as shown in drawing 2 if a properly grounded outlet is not available.



The temporary adapter should be used only until a properly grounded outlet (drawing 1) can be installed by a qualified electrician.

The green-colored rigid ear, lug, or the like extending from the adapter must be connected to a permanent ground such as a properly grounded outlet box cover. Whenever the adapter is used it must be held in place by a metal screw. **Some 2-pole receptacle outlet box covers are not grounded. Contact a qualified electrician to determine if the outlet box cover is grounded before using an adapter.**

CONSOLE DIAGRAM



FEATURES OF THE CONSOLE

The treadmill console offers an impressive array of features designed to make your workouts more effective.

When the manual mode of the console is selected, the speed and incline of the treadmill can be changed with the touch of a button. As you exercise, the console will display continuous exercise feedback. You can even measure your heart rate using the built-in handgrip pulse sensor or the optional chest pulse sensor (see page 19).

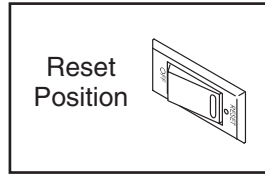
In addition, the console features four preset programs. Each program automatically controls the speed and incline of the treadmill as it guides you through an effective workout. The console also features four calorie programs that automatically control the speed and incline of the treadmill to help you burn unwanted pounds during your workouts.

To use the manual mode of the console, follow the steps beginning on page 14. **To use a preset program**, see page 16. **To use a calorie program**, see page 17.

HOW TO TURN ON THE POWER

1 Plug in the power cord (see page 12).

2 Locate the reset/off circuit breaker near the power cord. Make sure that the circuit breaker is in the reset position.



3 Stand on the foot rails of the treadmill. Find the clip attached to the key (see the drawing on page 13) and slide the clip onto the waistband of your clothes. Next, insert the key into the console. After a moment, the display will light. **Important: In an emergency situation, the key can be pulled from the console, causing the walking belt to slow to a stop. Test the clip by carefully taking a few steps backward; if the key is not pulled from the console, adjust the position of the clip.**

HOW TO USE THE MANUAL MODE

1 Insert the key into the console.

See HOW TO TURN ON THE POWER above.

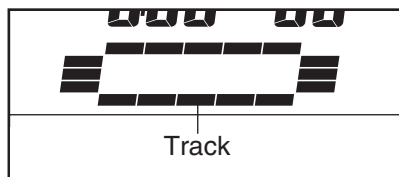
2 Enter your weight if desired.

If you enter your weight into the console, the console will display a more accurate estimate of the number of calories that you burn. To enter your weight, press the weight increase and decrease buttons repeatedly. Note: Once you have entered your weight, it will be saved in memory.



3 Select the manual mode.

When the key is inserted, the manual mode will be selected.

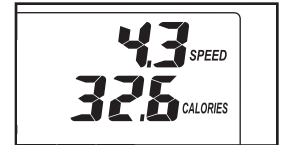


If you have selected a program, reselect the manual mode by pressing any of the buttons numbered P1 to P8 once or twice until a track appears in the lower part of the display.

4 Start the walking belt.

To start the walking belt, press the Start button, the Quick Speed increase button, or one of the speed buttons numbered 1 to 10.

If the Start button or the Quick Speed increase button is pressed, the walking belt will begin to move at 1 mph. As you exercise, change the speed of the walking belt as desired by pressing the Quick Speed increase and decrease buttons. Each time a button is pressed, the speed setting will change by 0.1 mph; if a button is held down, the speed setting will change in increments of 0.5 mph. Note: After the buttons are pressed, it may take a moment for the walking belt to reach the selected speed setting.



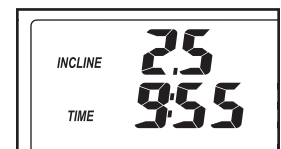
If one of the numbered speed buttons is pressed, the walking belt will gradually increase in speed until it reaches the selected speed setting.

To stop the walking belt, press the Stop button. The time will begin to flash in the display. To restart the walking belt, press the Start button, the Quick Speed increase button, or one of the numbered buttons.

Note: The first time the treadmill is used, observe the alignment of the walking belt, and align the walking belt if necessary (see page 23).

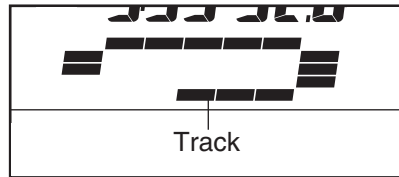
5 Change the incline of the treadmill as desired.

To change the incline of the treadmill, press the Power Incline increase and decrease buttons. Each time a button is pressed, the incline will change by 0.5%. Note: After the buttons are pressed, it may take a moment for the treadmill to reach the selected incline setting.

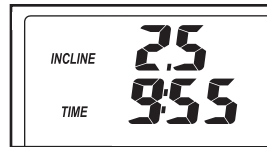


6 Follow your progress with the display.

When the manual mode is selected, the lower part of the display will show a 1/4-mile track. As you walk or run, the indicators around the track will appear in succession until the entire track appears. The track will then disappear and the indicators will again begin to appear in succession.



The left side of the display will show the incline level of the treadmill, the elapsed time, and the distance you have walked or run.



Note: When a program is selected, the display will show the time remaining in the program instead of the elapsed time.

The right side of the display will show the speed of the walking belt, the approximate number of calories you have burned, and your pace (in minutes per mile). The display will also show your heart rate when you use the handgrip pulse sensor or the optional chest pulse sensor.



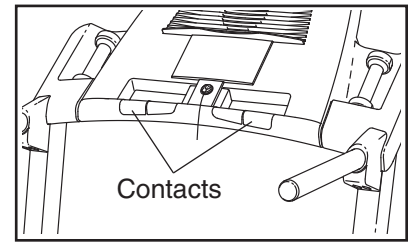
To reset the display, press the Stop button, remove the key, and then reinsert the key.

Note: The console can display speed and distance in either miles or kilometers. To determine which unit of measurement is selected, hold down the Stop button while inserting the key into the console. An "E" for English miles or an "M" for metric kilometers will appear in the right side of the display. Press the Quick Speed increase button to change the unit of measurement. When the desired unit of measurement is selected, remove the key. **Note: For simplicity, all instructions in this section refer to miles.**



7 Measure your heart rate if desired.

Note: If you use the handgrip pulse sensor and the optional chest pulse sensor at the same time, the console will not display your heart rate accurately. Before using the handgrip pulse sensor, remove the sheets of clear plastic from the metal contacts. In addition, make sure that your hands are clean.



To measure your heart rate, **stand on the foot rails** and hold the metal contacts on the handrail—**avoid moving your hands**. When your pulse is detected, the heart symbol in the right side of the display will appear, one or two dashes will appear, and then your heart rate will be shown. **For the most accurate heart rate reading, continue to hold the contacts for about 15 seconds.**

8 Turn on the fan if desired.

To turn on the fan at low speed, press the Cool Breeze Fan button. To turn on the fan at high speed, press the button a second time. To turn off the fan, press the button a third time. Note: If the fan is left on when the walking belt is stopped, the fan will automatically turn off after a few minutes.

9 When you are finished exercising, remove the key.

Step onto the foot rails, press the Stop button, and **adjust the incline of the treadmill to the lowest setting. The incline must be at the lowest setting when the treadmill is folded to the storage position or the treadmill will be damaged.** Next, remove the key from the console and put it in a secure place. **Note: If the display remains lit after the key is removed, the console is in the "demo" mode. See page 19 and turn off the demo mode.**

When you are finished using the treadmill, switch the reset/off circuit breaker to the "off" position and unplug the power cord.

HOW TO USE A PRESET PROGRAM

1 Insert the key fully into the console.

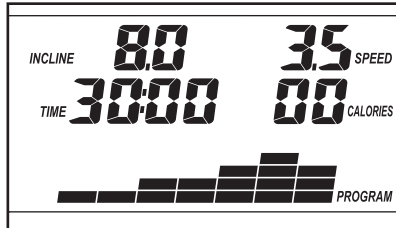
See HOW TO TURN ON THE POWER on page 14.

2 Enter your weight if desired.

See step 2 on page 14.

3 Select one of the preset programs.

To select one of the preset programs, press the P5, P6, P7, or P8 button. After each preset program is



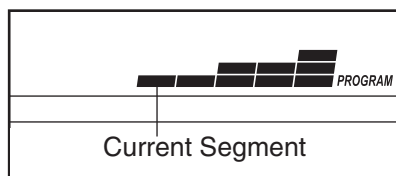
selected, the maximum speed setting of the program and the maximum incline setting of the program will flash in the display for a few seconds. The display will also show how long the program will last. The matrix in the lower part of the display will show the first seven speed settings of the program.

4 Press the Start button or the Quick Speed increase button to start the program.

A moment after the button is pressed, the treadmill will automatically adjust to the first speed and incline settings for the program. Hold the handrails and begin walking.

Each program is divided into 30 one-minute segments. One speed setting and one incline setting are programmed for each segment. Note: The same speed setting and/or incline setting may be programmed for two or more consecutive segments.

The speed setting for the first segment will be shown in the flashing Current



Segment column of the matrix in the lower part of the display. (The incline settings are not shown in

the matrix.) The speed settings for the next four segments will be shown in the columns to the right.

When only three seconds remain in the first segment of the program, both the Current Segment column and the column to the right will flash and a series of tones will sound. If the speed and/or incline of the treadmill is about to change, the speed setting and/or the incline setting will flash in the display to alert you.

When the first segment is completed, *all speed settings will move one column to the left*. The speed setting for the second segment will then be shown in the flashing Current Segment column and the treadmill will automatically adjust to the speed and incline settings for the second segment. Note: If all five of the indicators in the Current Segment column are lit, *the speed settings may move downward* so that only the highest indicators appear in the matrix.

The program will continue in this way until the speed setting for the last segment is shown in the Current Segment column and the last segment ends. The walking belt will then slow to a stop.

If the speed or incline setting for the current segment is too high or too low, you can manually override the setting by pressing the Quick Speed or Power Incline buttons. Every few times a Quick Speed button is pressed, an additional indicator will appear or disappear in the Current Segment column; if any of the columns to the right of the Current Segment column have the same number of lit indicators as the Current Segment column, an additional indicator may appear or disappear in those columns as well. **Important: When the current segment of the program ends, the treadmill will automatically adjust to the speed and incline settings for the next segment.**

To stop the program at any time, press the Stop button. The time will begin to flash in the display. To restart the program, press the Start button or the Quick Speed increase button. The walking belt will begin to move at 1 mph. When the next segment of the program begins, the treadmill will automatically adjust to the speed and incline settings for the next segment.

5 Follow your progress with the display.

See step 6 on page 15.

6 Measure your heart rate if desired.

See step 7 on page 15.

7 Turn on the fan if desired.

See step 8 on page 15.

8 When you are finished exercising, remove the key from the console.

When the program has ended, **make sure that the incline of the treadmill is at the lowest setting.** Next, remove the key from the console and put it in a safe place. **Note: If the display remains lit after the key is removed, the console is in the “demo” mode. See page 19 and turn off the demo mode.**

When you are finished using the treadmill, switch the reset/off circuit breaker to the “off” position and unplug the power cord.

HOW TO USE A CALORIE PROGRAM

1 Insert the key into the console.

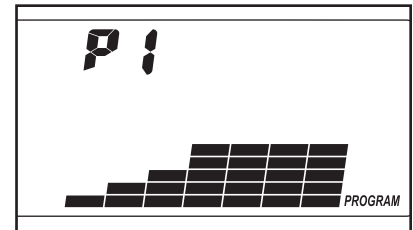
See HOW TO TURN ON THE POWER on page 14.

2 Enter your weight.

See step 2 on page 14. **Note: Always enter your weight before using a calorie program; the speed and incline settings of the program will depend on the weight setting that you enter.**

3 Select a calorie program.

To select a calorie program, press the P1, P2, P3, or P4 button. After each calorie program is selected, the



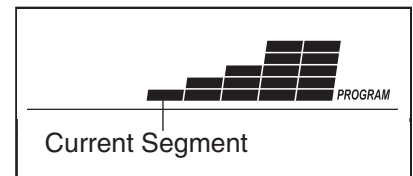
maximum speed setting of the program and the maximum incline setting of the program will flash in the display for a few seconds. The display will also show how long the program will last. The matrix in the lower part of the display will show the first seven speed settings of the program.

4 Press the Start button to start the program.

A moment after the button is pressed, the treadmill will automatically adjust to the first speed and incline settings of the program. Hold the handrails and begin walking.

Each program is divided into 30, 35, 40, or 45 one-minute segments. One speed setting and one incline setting are programmed for each segment. **Note: The same speed setting and/or incline setting may be programmed for two or more consecutive segments.**

The speed setting for the first segment will be shown in the flashing Current



Segment column of the matrix. (The incline settings are not shown in the matrix.) The speed settings for the next four segments will be shown in the columns to the right.

When only three seconds remain in the first segment of the program, both the Current Segment column and the column to the right will flash and a series of tones will sound. If the speed and/or incline of the treadmill is about to change, the speed setting and/or the incline setting will flash in the display to alert you.

When the first segment is completed, *all speed settings will move one column to the left*. The speed setting for the second segment will then be shown in the flashing Current Segment column and the treadmill will automatically adjust to the speed and incline settings for the second segment. Note: If all five of the indicators in the Current Segment column are lit, the speed settings may move downward so that only the highest indicators appear in the matrix.

If the speed or incline setting for the current segment is too high or too low, you can manually override the setting by pressing the Speed and Incline buttons. Every few times a Speed button is pressed, an additional indicator will appear or disappear in the Current Segment column.

Important: When the current segment of the program ends, the treadmill will automatically adjust to the speed and incline settings for the next segment.

To stop the program at any time, press the Stop button. To restart the program, press the Start button or the Quick Speed increase button. The walking belt will begin to move at 1 mph. When the next

segment of the program begins, the treadmill will automatically adjust to the speed and incline settings for that segment.

The program will continue in this way until the last segment of the program ends. The walking belt will then slow to a stop. **Important: The calorie goal is an estimate of the number of calories that you will burn during the program. The actual number of calories that you burn will depend on your weight. In addition, if you manually change the speed or incline of treadmill during the program, the number of calories you burn will be affected.**

5 Follow your progress with the display.

See step 6 on page 15.

6 Measure your heart rate if desired.

See step 7 on page 15.

7 Turn on the fan if desired.

See step 8 on page 15.

8 When you are finished exercising, remove the key from the console.

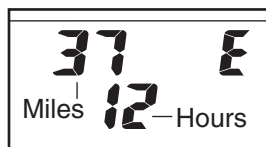
See step 8 on page 17.

THE INFORMATION MODE/DEMO MODE

The console features an information mode that keeps track of the total number of hours that the treadmill has been operated and the total number of miles that the walking belt has moved. The information mode also allows you to select miles or kilometers as the unit of measurement and to turn on and turn off the demo mode.

To select the information mode, hold down the Stop button while inserting the key into the console. When the information mode is selected, the following information will be shown in the display:

The left side of the display will show the total number of miles (or kilometers) that the walking belt has moved and the total number of hours that the treadmill has been used. An “E” for English miles or an “M” for metric kilometers will appear in the right side of the display. Press the Quick Speed increase button to change the unit of measurement.

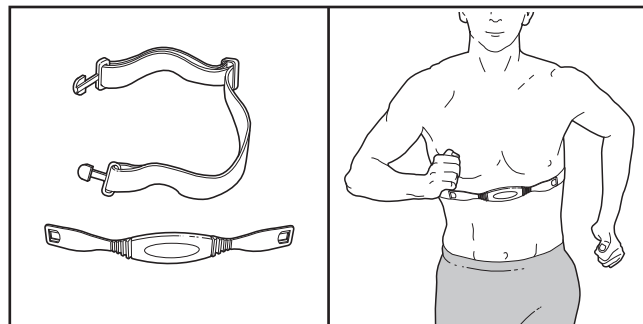


IMPORTANT: If a “d” appears in the right side of the display, the console is in the “demo” mode. This mode is intended to be used only when a treadmill is displayed in a store. When the console is in the demo mode, the power cord can be plugged in, the key can be removed from the console, and the indicators in the display will automatically appear in a preset sequence, although the buttons on the console will not operate. **If a “d” appears when the information mode is selected, press the Quick Speed decrease button so the “d” disappears.**

To exit the information mode, remove the key from the console.

THE OPTIONAL CHEST PULSE SENSOR

An optional chest pulse sensor adds even more features to the console. The chest pulse sensor offers hands-free operation, and enables you to use the console’s two heart rate programs. **To purchase the optional chest pulse sensor, call the toll-free telephone number on the front cover of this manual.**

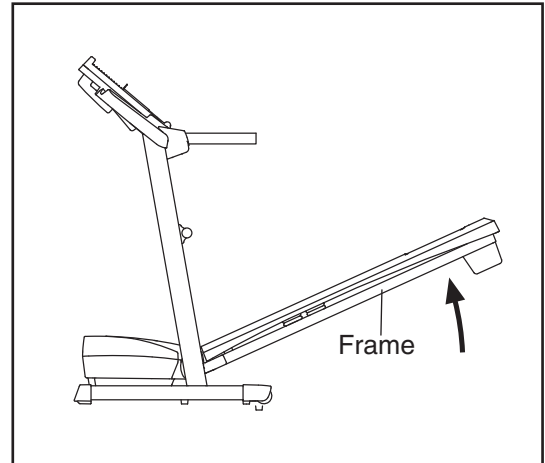


HOW TO FOLD AND MOVE THE TREADMILL

HOW TO FOLD THE TREADMILL FOR STORAGE

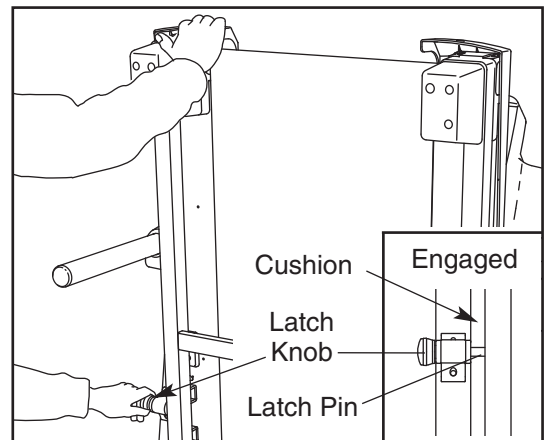
Before folding the treadmill, adjust the incline to the lowest position. If this is not done, the treadmill may be permanently damaged. Next, unplug the power cord. **CAUTION:** You must be able to safely lift 45 pounds (20 kg) to raise, lower, or move the treadmill.

1. Hold the metal frame firmly in the location shown by the arrow at the right. **CAUTION:** To decrease the possibility of injury, do not lift the frame by the plastic foot rails. **Make sure to bend your legs and keep your back straight. As you raise the frame, make sure to lift with your legs rather than with your back.** Raise the frame about halfway to the vertical position.



2. Move your right hand to the position shown and hold the treadmill firmly. Using your left hand, pull the latch knob to the left and hold it. Raise the frame until the latch pin is aligned with the hole in the center of the cushion. Slowly release the latch knob. **Make sure that the latch pin is fully inserted in the hole in the center of the cushion.**

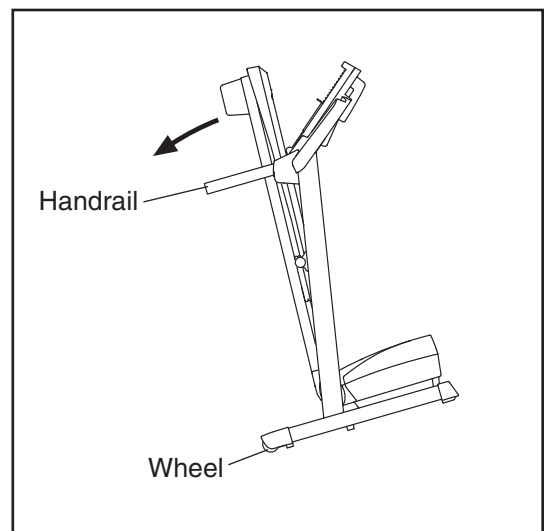
To protect the floor or carpet from damage, place a mat under the treadmill. Keep the treadmill out of direct sunlight. Do not leave the treadmill in the storage position in temperatures above 85° Fahrenheit.



HOW TO MOVE THE TREADMILL

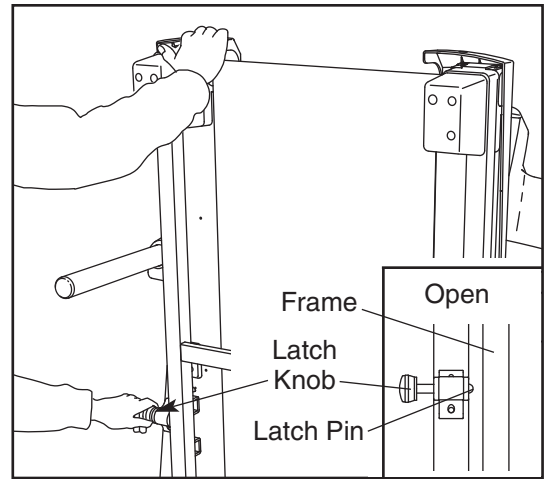
Before moving the treadmill, convert the treadmill to the storage position as described above. **Make sure that the latch pin is fully inserted in the hole in the center of the cushion.**

1. Hold the upper ends of the handrails. Place one foot against one of the wheels.
2. Tilt the treadmill backward until it rolls freely on the front wheels. Carefully move the treadmill to the desired location. **To reduce the risk of injury, use extreme caution while moving the treadmill. Do not move the treadmill over an uneven surface.**
3. Place one foot against one of the wheels, and carefully lower the treadmill until it is resting in the storage position.

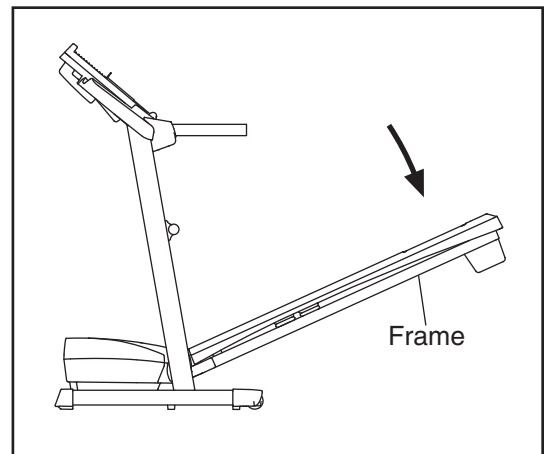


HOW TO LOWER THE TREADMILL FOR USE

1. Hold the upper end of the treadmill with your right hand. Pull the latch knob to the left and hold it. Pivot the frame downward until the catch is past the latch pin.



2. Hold the metal frame firmly with both hands, and lower it to the floor. **CAUTION: To decrease the possibility of injury, do not lower the frame by gripping only the plastic foot rails. Do not drop the frame to the floor. Make sure to bend your legs and keep your back straight.**



TROUBLESHOOTING

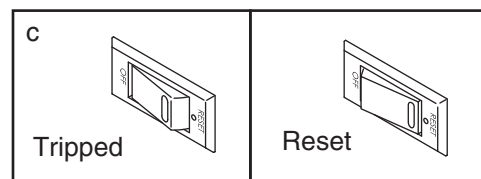
Most treadmill problems can be solved by following the steps below. Find the symptom that applies, and follow the steps listed. If you need further assistance, please see the front cover of this manual.

PROBLEM: The power does not turn on

SOLUTION: a. Make sure that the power cord is plugged into a surge suppressor, and that the surge suppressor is plugged into a properly grounded outlet (see page 12). Use only a single-outlet surge suppressor that meets all of the specifications described on page 12. Important: The treadmill is not compatible with GFCI-equipped outlets.

b. After the power cord has been plugged in, make sure that the key is inserted into the console.

c. Check the reset/off circuit breaker located on the treadmill frame near the power cord. If the switch protrudes as shown, the circuit breaker has tripped. To reset the circuit breaker, wait for five minutes, and then press the switch back in.



PROBLEM: The power turns off during use

SOLUTION: a. Check the reset/off circuit breaker (see the drawing above). If the circuit breaker has tripped, wait for five minutes and then press the switch back in.

b. Make sure that the power cord is plugged in. If the power cord is plugged in, unplug it, wait for five minutes, and then plug it back in.

c. Remove the key from the console. Reinsert the key into the console.

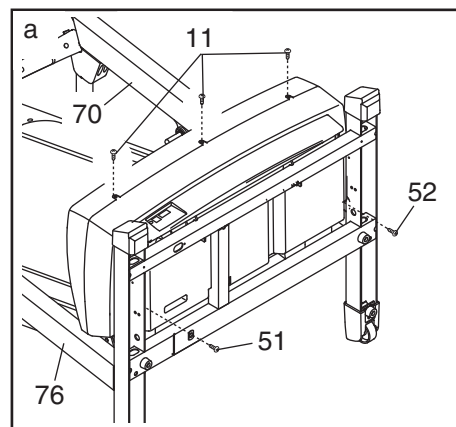
d. If the treadmill still will not run, please see the front cover of this manual.

PROBLEM: The incline of the treadmill does not change correctly

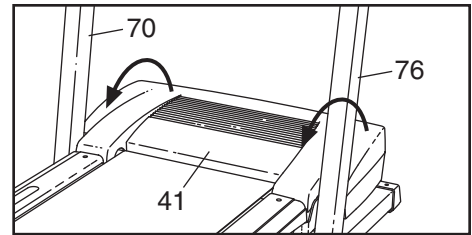
SOLUTION: a. With the key in the console, press one of the Incline buttons. **While the incline is changing, remove the key.** After a few seconds, re-insert the key. The treadmill will automatically rise to the maximum incline level and then return to the minimum level. This will recalibrate the incline system.

PROBLEM: The display of the console does not function properly

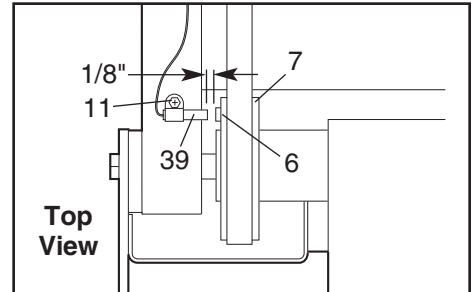
SOLUTION: a. Remove the key from the console and **UNPLUG THE POWER CORD.** With the help of a second person, carefully tip the Uprights (70, 76) down as shown. Remove the three Hood Screws (77), the Belly Pan Screw (51) and the Large Belly Pan Screw (52). Note: A phillips screwdriver with a shaft at least 5" long is required.



With the help of a second person, carefully raise the Uprights (70, 76) as shown. Carefully pivot the Hood (41) off.



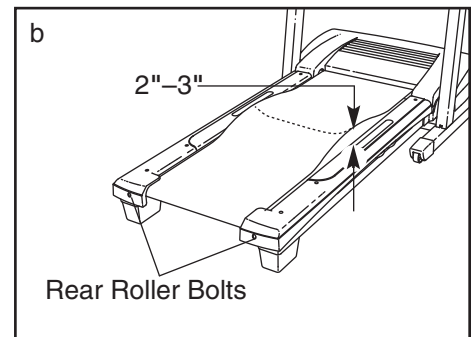
Locate the Reed Switch (39) and the Magnet (6) on the left side of the Pulley (7). Turn the Pulley until the Magnet is aligned with the Reed Switch. **Make sure that the gap between the Magnet and the Reed Switch is about 1/8"**. If necessary, loosen the Screw (11), move the Reed Switch slightly, and then retighten the Screw. Reattach the Hood, and run the treadmill for a few minutes to check for a correct speed reading.



PROBLEM: The walking belt slows when walked on

SOLUTION: a. Use only a single-outlet surge suppressor that meets all the specifications described on page 12.

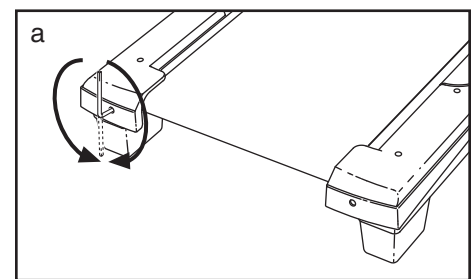
b. If the walking belt is overtightened, treadmill performance may decrease and the walking belt may become damaged. Remove the key and **UNPLUG THE POWER CORD**. Using the hex key, turn both rear roller bolts counterclockwise, 1/4 of a turn. When the walking belt is properly tightened, you should be able to lift each edge of the walking belt 2 to 3 inches above the walking platform. Be careful to keep the walking belt centered. Then, plug in the power cord, insert the key, and run the treadmill for a few minutes. Repeat until the walking belt is properly tightened.



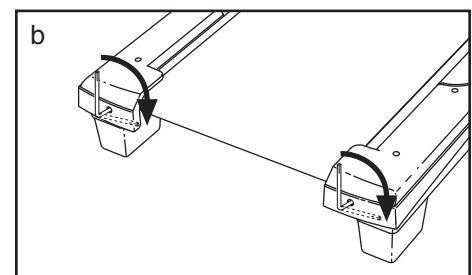
c. If the walking belt still slows when walked on, please see the front cover of this manual.

PROBLEM: The walking belt is off-center or slips when walked on

SOLUTION: a. **If the walking belt is off-center**, first remove the key and **UNPLUG THE POWER CORD**. **If the walking belt has shifted to the left**, use the hex key to turn the left rear roller bolt clockwise 1/2 of a turn; **if the walking belt has shifted to the right**, turn the left bolt counterclockwise 1/2 of a turn. Be careful not to overtighten the walking belt. Then, plug in the power cord, insert the key, and run the treadmill for a few minutes. Repeat until the walking belt is centered.



b. **If the walking belt slips when walked on**, first remove the key and **UNPLUG THE POWER CORD**. Using the hex key, turn both rear roller bolts clockwise, 1/4 of a turn. When the walking belt is correctly tightened, you should be able to lift each edge of the walking belt 2 to 3 inches above the walking platform. Be careful to keep the walking belt centered. Then, plug in the power cord, insert the key, and carefully walk on the treadmill for a few minutes. Repeat until the walking belt is properly tightened.



CONDITIONING GUIDELINES

⚠️ WARNING: Before beginning this or any exercise program, consult your physician. This is especially important for individuals over the age of 35 or individuals with pre-existing health problems.

The pulse sensor is not a medical device. Various factors, including your movement, may affect the accuracy of heart rate readings. The sensor is intended only as an exercise aid in determining heart rate trends in general.

The following guidelines will help you to plan your exercise program. For more detailed exercise information, obtain a reputable book or consult your physician.

EXERCISE INTENSITY

Whether your goal is to burn fat or to strengthen your cardiovascular system, the key to achieving the desired results is to exercise with the proper intensity. The proper intensity level can be found by using your heart rate as a guide. The chart below shows recommended heart rates for fat burning and aerobic exercise.

165	155	145	140	130	125	115	♥️
145	138	130	125	118	110	103	♥️
125	120	115	110	105	95	90	♥️
20	30	40	50	60	70	80	

To find the proper heart rate for you, first find your age near the bottom of the chart (ages are rounded off to the nearest ten years). Next, find the three numbers above your age. The three numbers define your “training zone.” The lower two numbers are recommended heart rates for fat burning; the higher number is the recommended heart rate for aerobic exercise.

Fat Burning

To burn fat effectively, you must exercise at a relatively low intensity level for a sustained period of time. During the first few minutes of exercise, your body uses easily accessible *carbohydrate calories* for en-

ergy. Only after the first few minutes does your body begin to use stored *fat calories* for energy. If your goal is to burn fat, adjust the speed and incline of the treadmill until your heart rate is near the lowest number in your training zone.

For maximum fat burning, adjust the speed and incline of the treadmill until your heart rate is near the middle number in your training zone.

Aerobic Exercise

If your goal is to strengthen your cardiovascular system, your exercise must be “aerobic.” Aerobic exercise is activity that requires large amounts of oxygen for prolonged periods of time. This increases the demand on the heart to pump blood to the muscles, and on the lungs to oxygenate the blood. For aerobic exercise, adjust the speed and incline of the treadmill until your heart rate is near the highest number in your training zone.

WORKOUT GUIDELINES

Each workout should include the following three parts:

A Warm-up—Start each workout with 5 to 10 minutes of stretching and light exercise. A proper warm-up increases your body temperature, heart rate and circulation in preparation for exercise.

Training Zone Exercise—After warming up, increase the intensity of your exercise until your heart rate is in your training zone for 20 to 60 minutes. (During the first few weeks of your exercise program, do not keep your heart rate in your training zone for longer than 20 minutes.) Breathe regularly and deeply as you exercise—never hold your breath.

A Cool-down—Finish each workout with 5 to 10 minutes of stretching to cool down. This will increase the flexibility of your muscles and will help prevent post-exercise problems.

EXERCISE FREQUENCY

To maintain or improve your condition, complete three workouts each week, with at least one day of rest between workouts. After a few months, you may complete up to five workouts each week if desired. The key to success is to make exercise a regular and enjoyable part of your everyday life.

SUGGESTED STRETCHES

The correct form for several basic stretches is shown at the right. Move slowly as you stretch—never bounce.

1. Toe Touch Stretch

Stand with your knees bent slightly and slowly bend forward from your hips. Allow your back and shoulders to relax as you reach down toward your toes as far as possible. Hold for 15 counts, then relax. Repeat 3 times. Stretches: Hamstrings, back of knees and back.

2. Hamstring Stretch

Sit with one leg extended. Bring the sole of the opposite foot toward you and rest it against the inner thigh of your extended leg. Reach toward your toes as far as possible. Hold for 15 counts, then relax. Repeat 3 times for each leg. Stretches: Hamstrings, lower back and groin.

3. Calf/Achilles Stretch

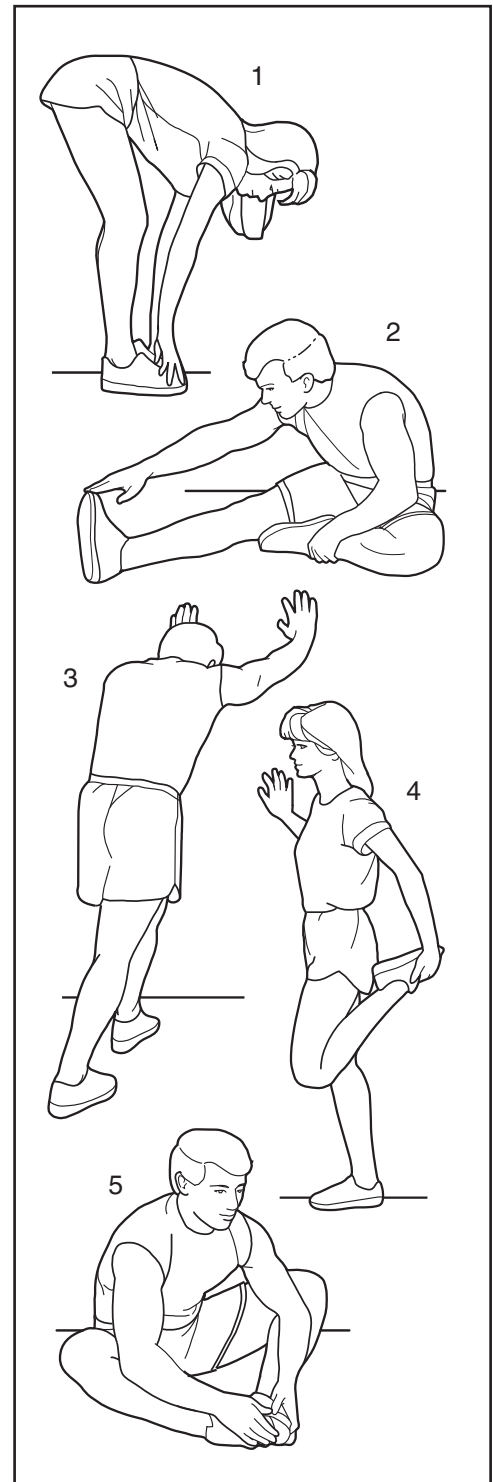
With one leg in front of the other, reach forward and place your hands against a wall. Keep your back leg straight and your back foot flat on the floor. Bend your front leg, lean forward and move your hips toward the wall. Hold for 15 counts, then relax. Repeat 3 times for each leg. To cause further stretching of the achilles tendons, bend your back leg as well. Stretches: Calves, achilles tendons and ankles.

4. Quadriceps Stretch

With one hand against a wall for balance, reach back and grasp one foot with your other hand. Bring your heel as close to your buttocks as possible. Hold for 15 counts, then relax. Repeat 3 times for each leg. Stretches: Quadriceps and hip muscles.

5. Inner Thigh Stretch

Sit with the soles of your feet together and your knees outward. Pull your feet toward your groin area as far as possible. Hold for 15 counts, then relax. Repeat 3 times. Stretches: Quadriceps and hip muscles.



PART LIST—Model No. HRTL61706.0

R0806A

To locate the parts listed below, see the EXPLODED DRAWING on pages 28 to 31.

Key No.	Qty.	Description	Key No.	Qty.	Description
1	2	Foot Rail Cover	51	3	Belly Pan Screw
2	10	Foot Rail Cover Screw	52	5	Large Belly Pan Screw/Cover Screw
3	1	Left Foot Rail	53	1	Belly Pan
4	2	Frame Pivot Bolt	54	3	Belly Pan Clip
5	2	Front Platform Bolt	55	1	Reset/Off Circuit Breaker
6	1	Magnet	56	1	Power Cord Grommet
7	1	Front Roller/Pulley	57	1	Power Cord
8	2	Platform Nut	58	1	Controller Bracket
9	4	Belt Guide Screw	59	9	1/2" Screw
10	2	Belt Guide	60	1	Controller
11	13	Screw	61	2	Small Star Washer
12	2	Isolator	62	2	Handrail
13	3	Wire Tie	63	4	1 1/4" Bolt
14	1	Latch Warning Decal	64	4	Silver Pulse Bar Screw
15	1	Walking Belt	65	4	Pulse Bar Star Washer
16	1	Walking Platform	66	1	Pulse Bar
17	2	Rear Platform Bolt	67	4	Console Screw
18	2	Rear Roller Bracket Screw	68	1	Left Handrail Cover
19	2	Rear Roller Bracket	69	2	Handrail Cap
20	2	Rear Roller Bolt	70	1	Left Upright
21	2	Rear Roller Lock Washer	71	1	Latch Housing
22	1	Left Rear Endcap	72	2	Rear Roller Washer
23	22	3/4" Screw	73	1	Latch Pin Assembly
24	1	Hex Key	74	1	Right Handrail Cover
25	1	Right Rear Endcap	75	1	Upright Wire
26	1	Frame	76	1	Right Upright
27	1	Right Foot Rail	77	6	1" Tek Screw
28	1	Hood	78	4	Lift Bolt
29	2	Motor Bolt	79	2	Endcap Screw
30	2	Motor Nut	80	2	Front Endcap
31	1	Motor Star Washer	81	1	Base
32	1	Motor Belt	82	1	Roller Ground Wire
33	1	Drive Motor	83	4	3/8" Star Washer
34	1	Motor Bracket	84	2	1" Upright Bolt
35	2	Motor Tension Bolt	85	2	2 3/4" Upright Bolt
36	2	Motor Washer	86	2	Wheel Housing
37	1	Lift Frame	87	2	Wheel Pin
38	1	Reed Switch Clip	88	2	Wheel
39	1	Reed Switch	89	4	Base Pad
40	2	Lift Frame Spacer	90	1	Incline Motor
41	6	Pivot Nut	91	1	Stop Bracket
42	2	Caution Decal	92	1	Optic Disk
43	1	Hairpin Cotter	93	1	Photo Switch Nut
44	1	Motor Pin	94	1	Photo Switch
45	1	Lift Frame Ground Wire	95	1	Photo Switch Bolt
46	1	Front Roller Bolt	96	1	Key/Clip
47	1	Filter Wire	97	1	Photo Switch Wire
48	1	Front Roller Bushing	98	1	Console Base
49	2	Tie Block	99	1	Console
50	7	Plastic Tie	100	1	Access Door

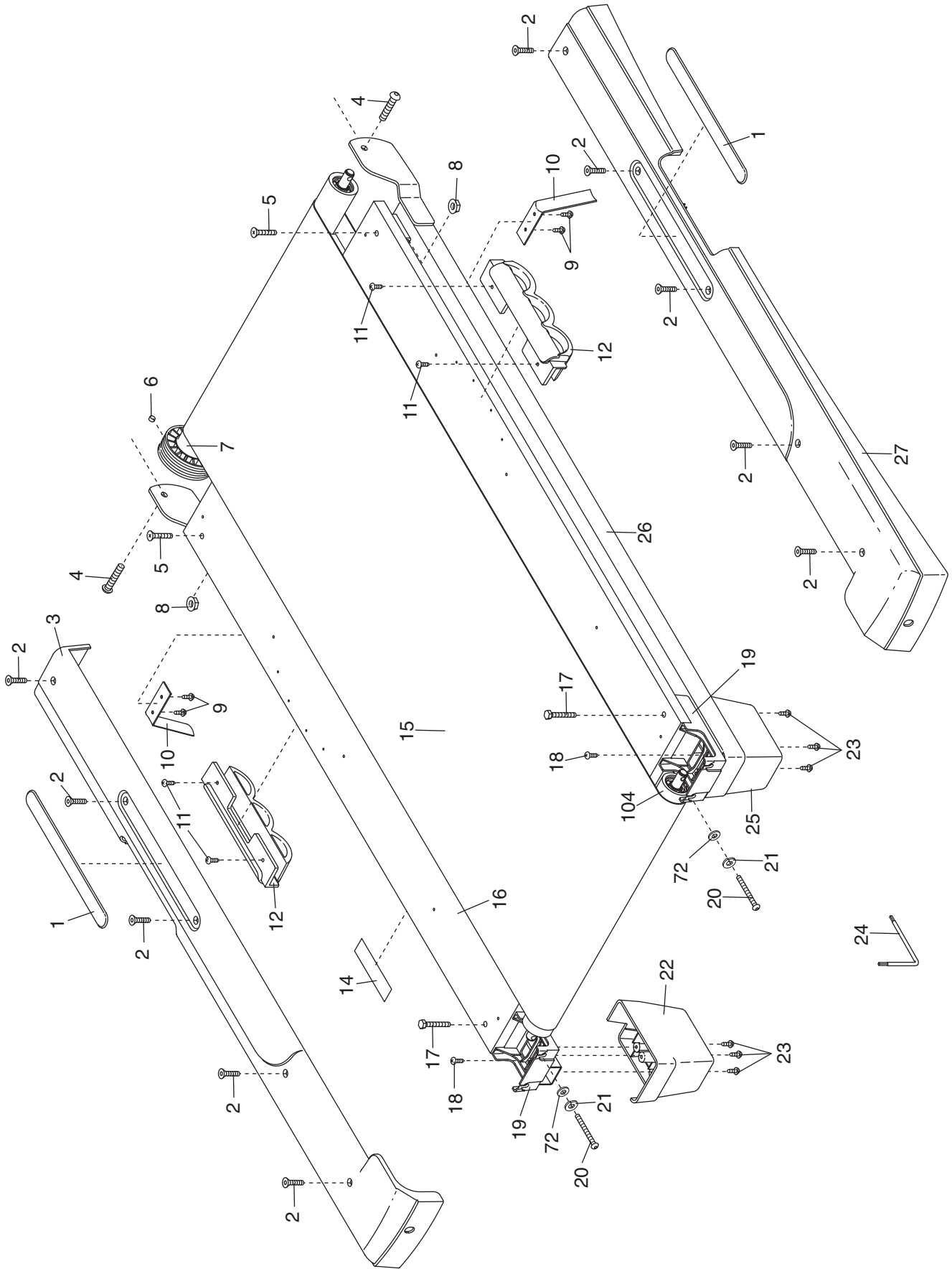
Key No.	Qty.	Description	Key No.	Qty.	Description
101	1	Console Fan	#	1	12" Blue Wire, 2F
102	2	Fan Screw	#	1	12" Blue Wire, M/F
103	1	Static Decal	#	1	4" Blue Wire, 2F
104	1	Rear Roller	#	1	22" Red Wire, M/F
105	1	Controller Wire	#	1	20" Black Wire, M/F
106	2	Dumbbell			
107	1	Console Ground Wire			
108	1	Front Roller Nut			

“#” indicates a non-illustrated part.
Specifications are subject to change without notice.

ORDERING REPLACEMENT PARTS

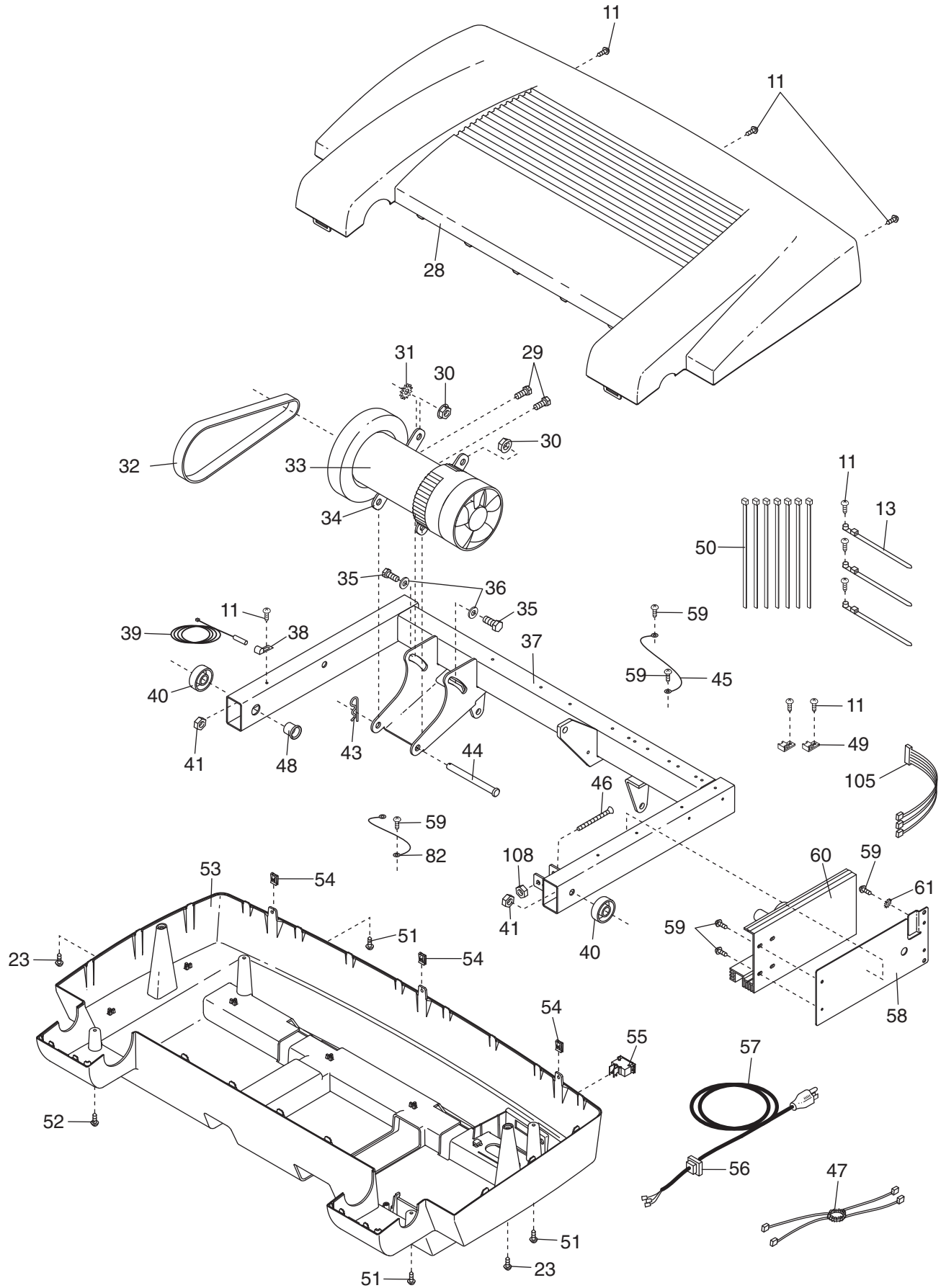
To order replacement parts, see the front cover of this manual. When ordering parts, please be prepared to provide the following information:

- the MODEL NUMBER of the product (HRTL61706.0)
- the NAME of the product (HealthRider PRO H450i treadmill)
- the SERIAL NUMBER of the product (see the front cover of this manual)
- the KEY NUMBER and DESCRIPTION of the part(s) (see the PART LIST and the EXPLODED DRAWING on pages 26 to 31)



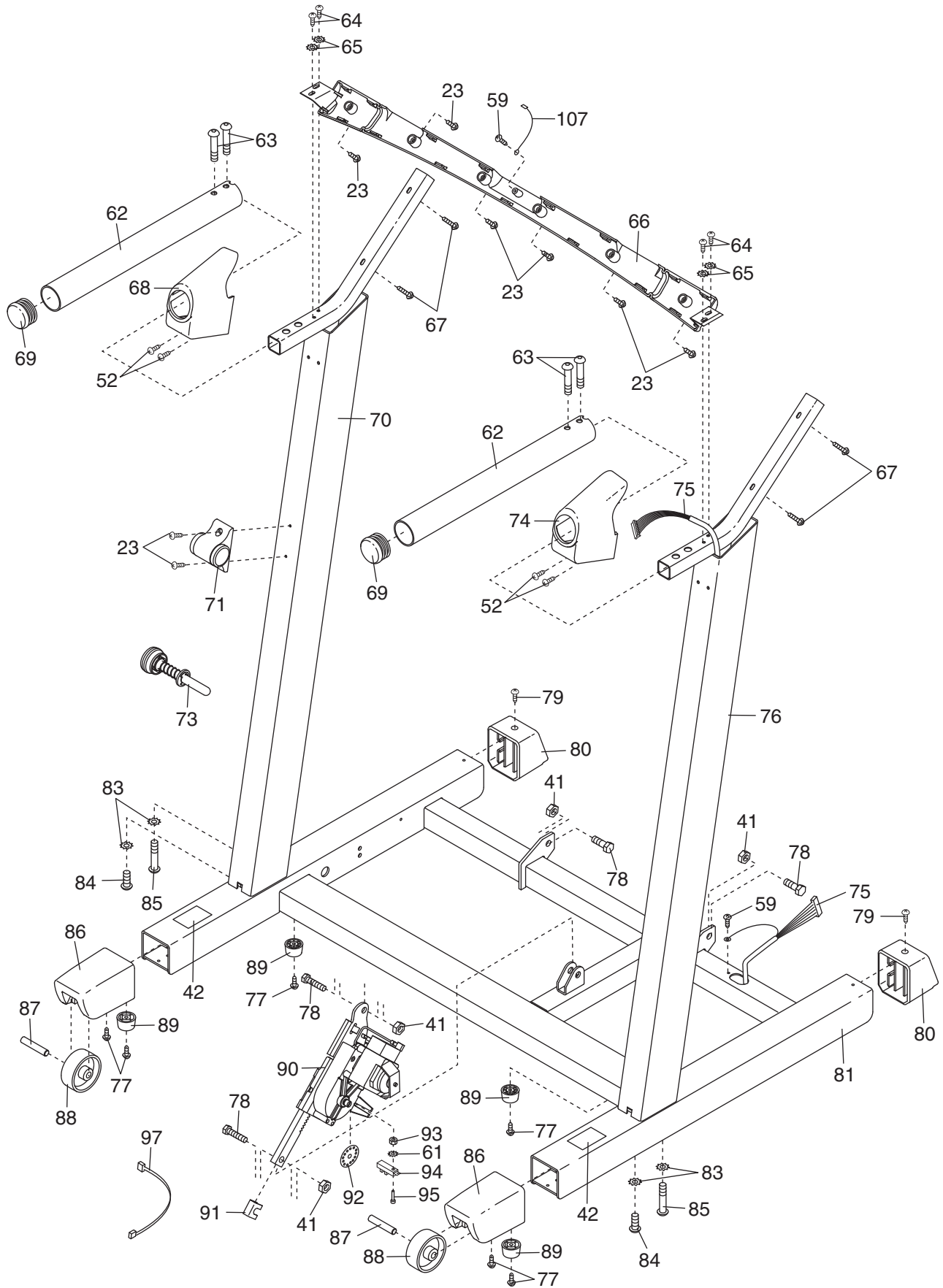
EXPLODED DRAWING B—Model No. HRTL61706.0

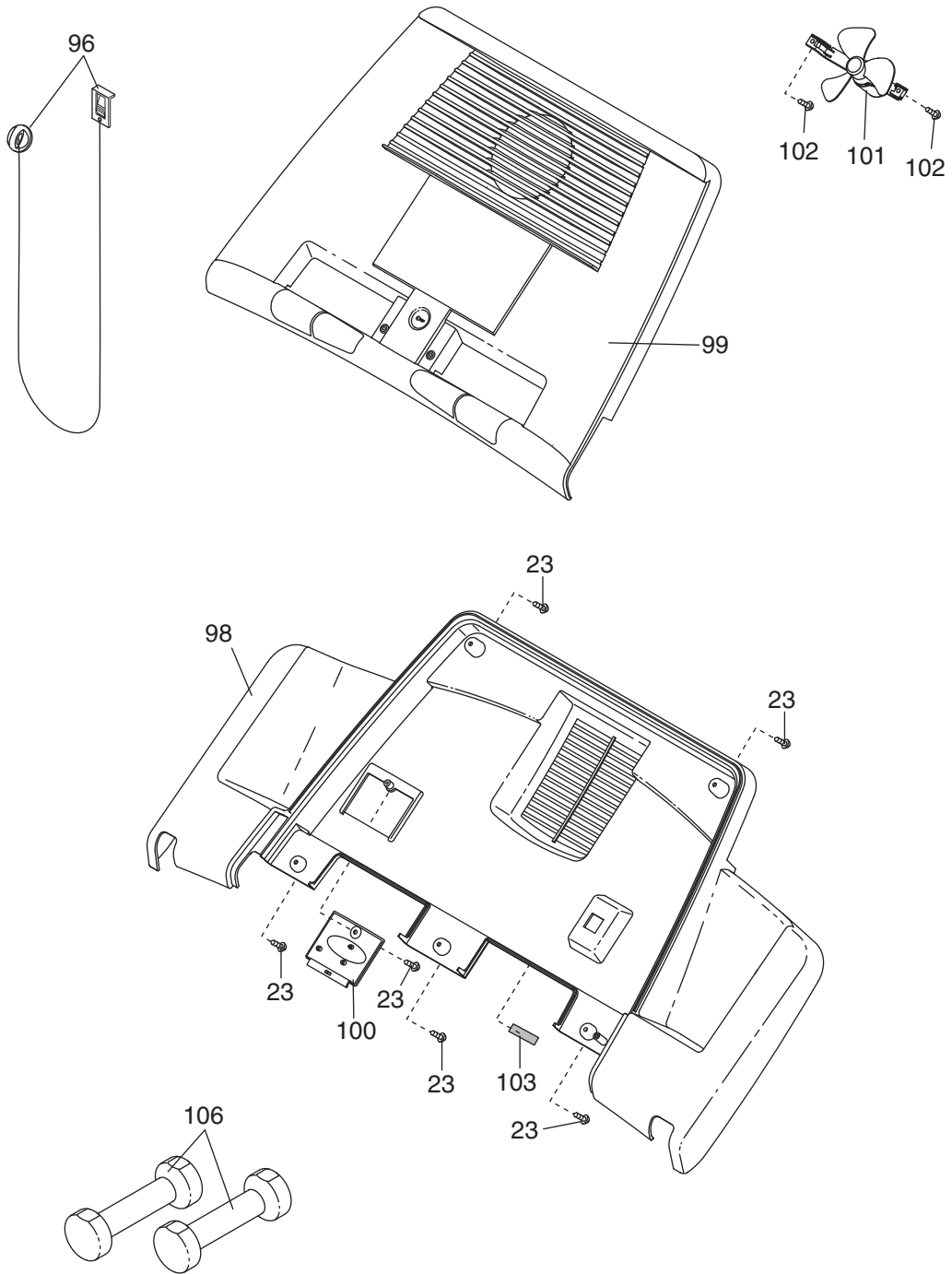
R0806A



EXPLODED DRAWING C—Model No. HRTL61706.0

R0806A





LIMITED WARRANTY

WHAT IS COVERED—The entire HealthRider PRO H450i treadmill (“Product”) is warranted to be free of all defects in material and workmanship.

WHO IS COVERED—The original purchaser or any person receiving the Product as a gift from the original purchaser.

HOW LONG IS IT COVERED—ICON Health & Fitness, Inc. (“ICON”), warrants the drive motor for 10 years. Parts and labor are warranted for one year from the date of purchase.

WHAT WE DO TO CORRECT COVERED DEFECTS—We will ship to you, without charge, any replacement part or component, providing the repairs are authorized by ICON first and are performed by an ICON trained and authorized service provider, or, at our option, we will replace the Product.

WHAT IS NOT COVERED—Any failures or damage caused by unauthorized service, misuse, accident, negligence, improper assembly or installation, alterations, modifications without our written authorization or by failure on your part to use, operate, and maintain as set out in your User’s Manual (“Manual”). This warranty does not extend to products used for commercial or rental purposes.

WHAT YOU MUST DO—Always retain proof of purchase, such as your bill of sale; store, operate, and maintain the Product as specified in the Manual; notify our Customer Service Department of any defect within 10 days after discovery of the defect; as instructed, return any defected part for replacement or, if necessary, the entire product, for repair.

USER’S MANUAL—It is VERY IMPORTANT THAT YOU READ THE MANUAL before operating the Product. Remember to do the periodic maintenance requirements specified in the Manual to assure proper operation and your continued satisfaction.

HOW TO GET PARTS AND SERVICE—Simply call our Customer Service Department at 1-888-922-4222 and tell them your name and address and the serial number of your Product. They will tell you how to get a part replaced, or if necessary, arrange for service where your Product is located or advise you how to ship the Product for service. Before shipping, always obtain a Return Authorization Number (RA No.) from our Customer Service Department; securely pack your Product (save the original shipping carton if possible); put the RA No. on the outside of the carton and insure the product. Include a letter explaining the product or problem and a copy of your proof of purchase if you believe the service is covered by warranty.

ICON is not responsible or liable for indirect, special or consequential damages arising out of or in connection with the use or performance of the product or damages with respect to any economic loss, loss of property, loss of revenues or profits, loss of enjoyment or use, costs of removal, installation or other consequential damages of whatsoever nature. Some states do not allow the exclusion or limitation of incidental or consequential damages. Accordingly, the above limitation may not apply to you.

The warranty extended hereunder is in lieu of any and all other warranties and any implied warranties of merchantability or fitness for a particular purpose is limited in its scope and duration to the terms set forth herein. Some states do not allow limitations on how long an implied warranty lasts. Accordingly, the above limitation may not apply to you.

No one is authorized to change, modify or extend the terms of this limited warranty.

This warranty gives you specific legal rights and you may have other rights which vary from state to state.

ICON HEALTH & FITNESS, INC., 1500 S. 1000 W., LOGAN, UT 84321-9813