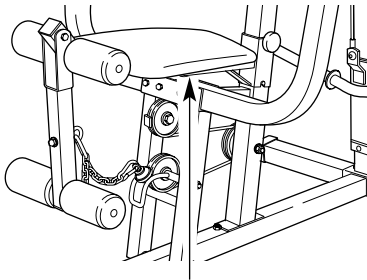


# WEIDER<sup>®</sup> 8920

Model No. 831.159710

Serial No. \_\_\_\_\_

(Write the serial number in the space above for reference.)



Serial Number Decal (under seat)

EXERCISE  
EQUIPMENT

QUESTIONS

HELPLINE!

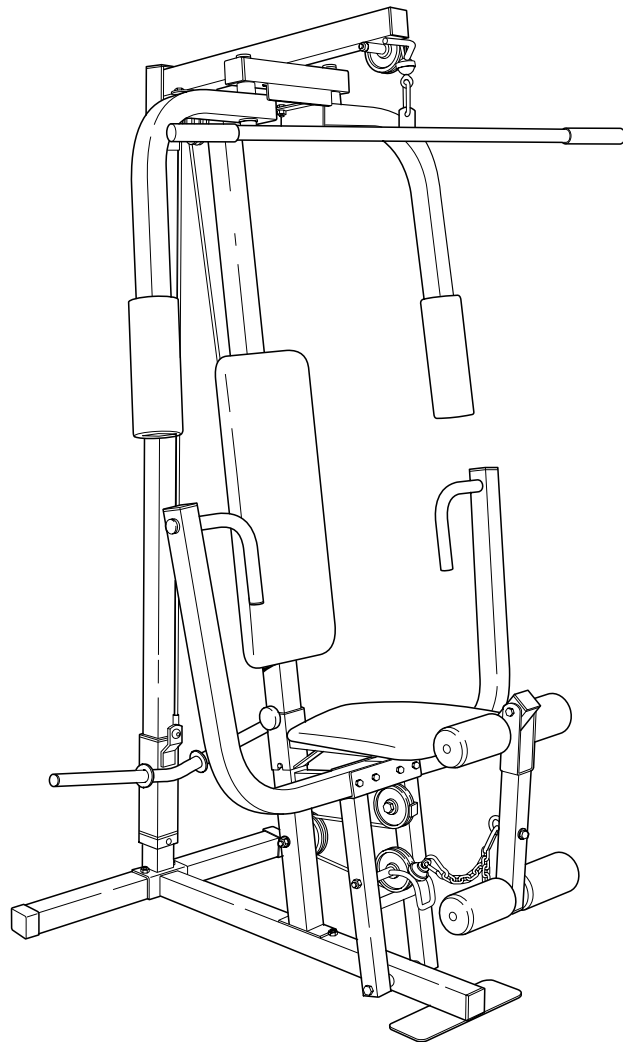
1-800-736-6879

SEARS, ROEBUCK AND CO.  
HOFFMAN ESTATES, IL 60179

## CAUTION

Read all precautions and instructions in this manual before using this equipment. Save this manual for future reference.

## USER'S MANUAL



Visit our website at

[www.weiderfitness.com](http://www.weiderfitness.com)

new products, prizes,  
fitness tips, and much more!

---

# TABLE OF CONTENTS

FULL 90-DAY WARRANTY .....	2
IMPORTANT PRECAUTIONS .....	3
BEFORE YOU BEGIN .....	4
ASSEMBLY .....	5
ADJUSTMENT .....	15
TROUBLE-SHOOTING AND MAINTENANCE .....	18
CABLE DIAGRAM .....	19
PART LIST .....	22
EXPLODED DRAWING .....	23
ORDERING REPLACEMENT PARTS .....	Back Cover

Note: A PART IDENTIFICATION CHART is attached in the center of this manual. Remove the PART IDENTIFICATION CHART before beginning assembly.

## FULL 90 DAY WARRANTY

For 90 days from the date of purchase, if failure occurs due to defect in material or workmanship in this SEARS WEIGHT SYSTEM EXERCISER, contact the nearest SEARS Service Center throughout the United States and SEARS will repair or replace the WEIGHT SYSTEM EXERCISER, free of charge.

This warranty does not apply when the WEIGHT SYSTEM EXERCISER is used commercially or for rental purposes.

This warranty gives you specific legal rights, and you may also have other rights which vary from state to state.

**SEARS, ROEBUCK AND CO., DEPT. 817WA, HOFFMAN ESTATES, IL 60179**

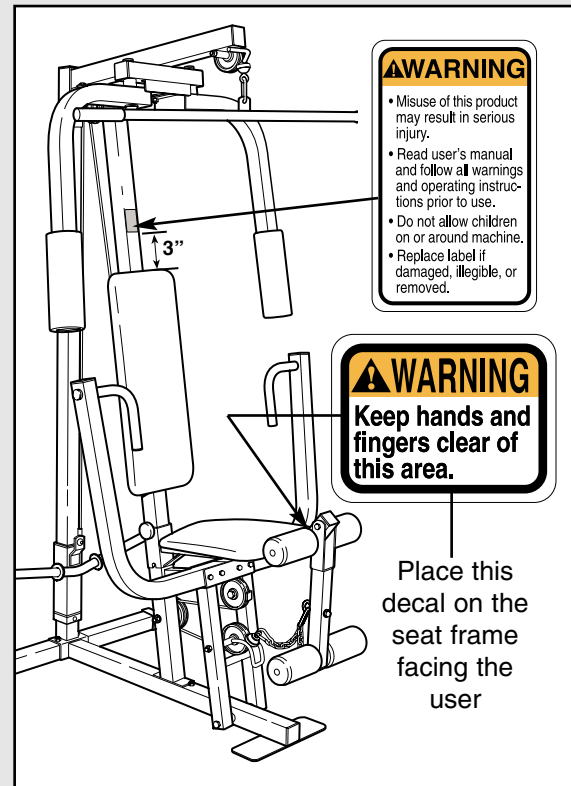
# IMPORTANT PRECAUTIONS

**WARNING:** To reduce the risk of serious injury, read the following important precautions before using the home gym.

1. Read all instructions in this manual and in the accompanying literature before using the home gym.
2. It is the responsibility of the owner to ensure that all users of the home gym are adequately informed of all precautions.
3. The home gym is intended for home use only. Do not use the home gym in a commercial, rental, or institutional setting.
4. Use the home gym only on a level surface. Cover the floor or carpet beneath the home gym for protection.
5. Inspect and tighten all parts often. Replace any worn parts immediately.
6. Keep children under the age of 12 and pets away from the home gym at all times.
7. Keep hands and feet away from moving parts.
8. Always wear athletic shoes for foot protection when using the home gym.
9. Always stand on the foot plate when performing an exercise that could cause the home gym to tip.
10. Never release the press arm, butterfly arms, leg lever, lat bar, or nylon strap while weights are raised. The weights will fall with great force.
11. Make sure that the cables remain on the pulleys at all times. If the cables bind while you are exercising, stop immediately and make sure that the cables are on all of the pulleys.
12. Do not place more than 125 pounds on the

weight carriage.

13. Always disconnect the lat bar from the home gym when performing an exercise that does not use the lat bar.
14. If you feel pain or dizziness at any time while exercising, stop immediately and begin cooling down.
15. The decals shown below have been applied to the home gym. If either decal is missing, or if they are not legible, please call 1-800-736-6879, Monday through Saturday, 7 a.m. until 7 p.m, Central Time, to order a replacement decal. Apply the replacement decals in the locations shown.



**WARNING:** Before beginning this or any exercise program, consult your physician. This is especially important for persons over the age of 35 or persons with pre-existing health problems. Read all instructions before using. SEARS assumes no responsibility for personal injury or property damage sustained by or through the use of this product.

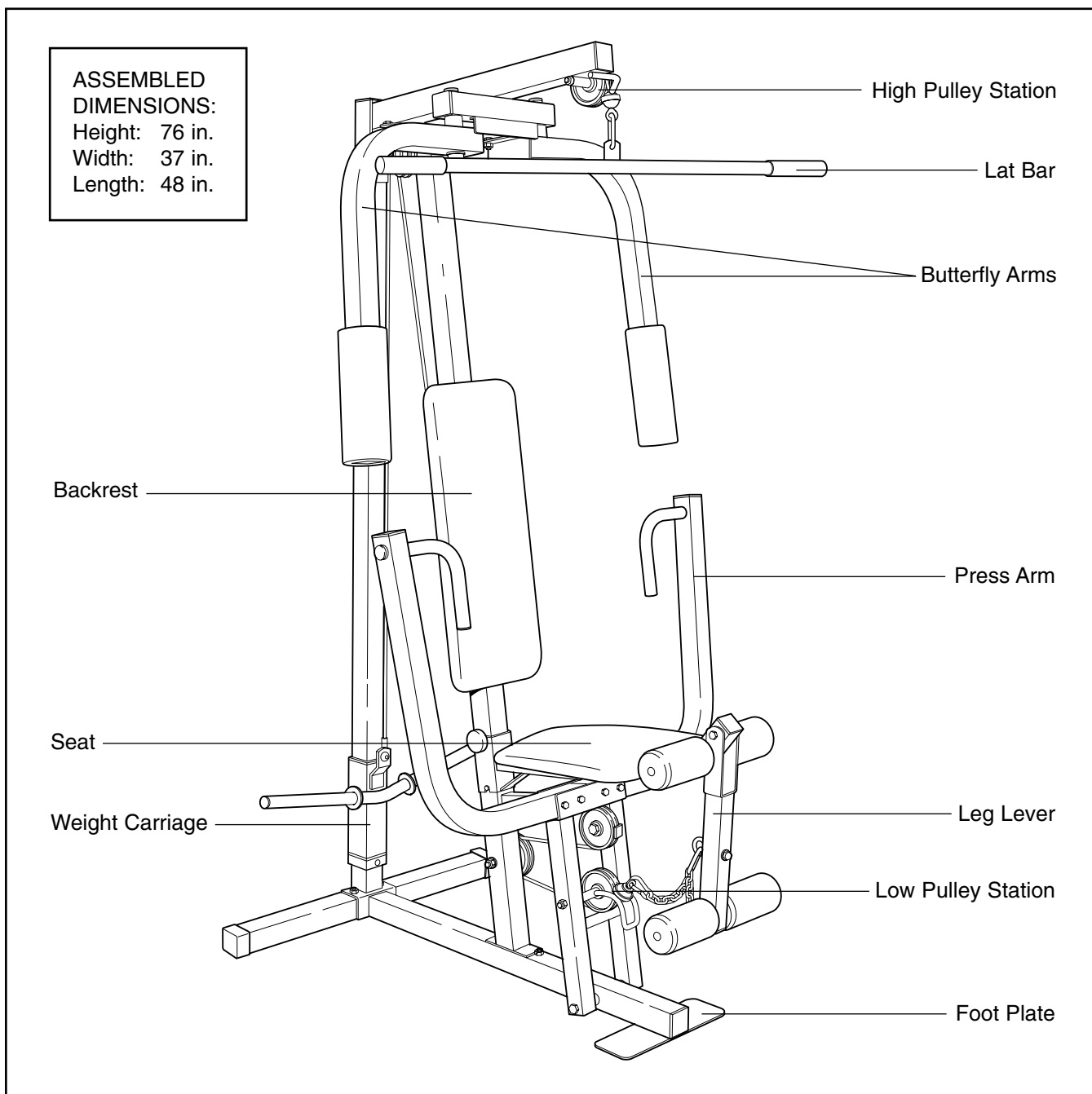
# BEFORE YOU BEGIN

Thank you for selecting the versatile WEIDER® 8920 home gym. The WEIDER® 8920 offers a selection of weight stations designed to develop every major muscle group of the body. Whether your goal is to tone your body, build dramatic muscle size and strength, or improve your cardiovascular system, the WEIDER® 8920 will help you to achieve the specific results you want.

**For your benefit, read this manual carefully before using the WEIDER® 8920 home gym.** If you have additional questions, please call our toll-free

HELPLINE at 1-800-736-6879, Monday through Saturday, 7 a.m. until 7 p.m. Central Time (excluding holidays). To help us assist you, please note the product model number and serial number before calling. The model number is 831.159710. The serial number can be found on a decal attached to the WEIDER® 8920 (see the front cover of this owner's manual).

Before reading further, please review the drawing below and familiarize yourself with the parts that are labeled.





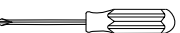

# ASSEMBLY

## Before beginning assembly, carefully read the following information and instructions:

- Place all parts of the home gym in a cleared area and remove the packing materials; do not dispose of the packing materials until assembly is completed.
- Assembly is divided into four stages: 1) frame assembly, 2) press and butterfly arm assembly, 3) cable and pulley assembly, and 4) seat and backrest assembly. The hardware for each stage is packaged separately.
- Wait until you begin each assembly stage to open that parts bag.
- For help identifying the small parts used in assembly, **use the PART IDENTIFICATION CHART located in the center of this manual.** Note: Some small parts may have been pre-attached for shipping. If a part is not in the parts bag, check to see if it has been pre-attached.

- As you assemble the home gym, be sure that all parts are oriented as shown in the drawings.
- Tighten all parts as you assemble them, unless instructed to do otherwise.

## THE FOLLOWING TOOLS (NOT INCLUDED) ARE REQUIRED FOR ASSEMBLY:

- **Two (2) adjustable wrenches** 
- **One (1) standard screwdriver** 
- **One (1) Phillips screwdriver** 
- **One (1) rubber mallet** 
- **Lubricant, such as grease or petroleum jelly, and soapy water will also be needed.**

Assembly will be more convenient if you have the following tools: A socket set, a set of open-end or closed-end wrenches, or a set of ratchet wrenches.

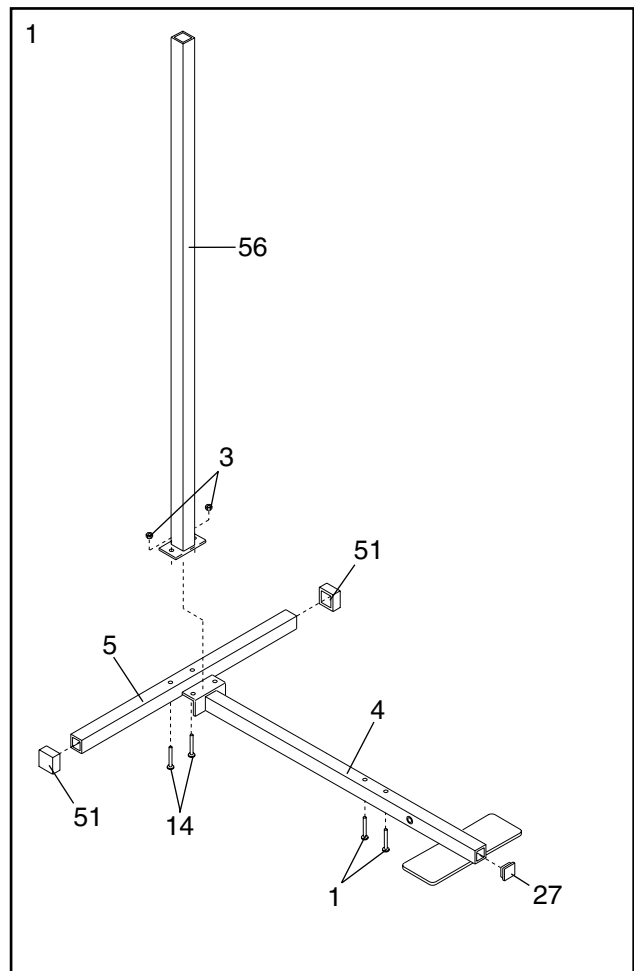
1. **Before beginning assembly, be sure that you have read and understand the information in the box above.**

Press a 2" Square Outer Cap (51) onto each end of the Stabilizer (5). Press a 2" Square Inner Cap (27) into the end of the Base (4).

Insert two 5/16" x 2 3/4" Carriage Bolts (14) up through the Stabilizer (5). Insert two 5/16" x 2 1/2" Carriage Bolts (1) up through the Base (4).

Slide the bracket end of the Base (4) onto the 5/16" x 2 3/4" Carriage Bolts (14) in the Stabilizer (5). Slide the Rear Upright (56) onto the Carriage Bolts. Hand tighten a 5/16" Nylon Locknut (3) onto each Carriage Bolt.

## FRAME ASSEMBLY



2. Refer to drawing 2a. Press a 1" Inner Cap (61) into each end of the weight tube on the Weight Carriage (19). Note: The Square Slider Bushings (70) should be pre-assembled to the Weight Carriage (19) and Weight Stop (67).

Turn the Weight Stop (67) so that the hole in the Weight Stop is oriented in the same direction as the hole in the bottom of the Rear Upright (56). **Make sure that the Square Slider Bushing (70) is above the Weight Stop.** Slide the Weight Stop onto the Rear Upright (56).

Refer to drawing 2b. Align the hole in the Weight Stop (67) with the hole near the base of the Rear Upright (56). Secure the Weight Stop to the Rear Upright with a 5/16" x 2 3/4" Bolt (11) and a 5/16" Nylon Jamnut (72). Now slide the Weight Carriage (19) onto the Rear Upright.

Press a 1" Square Inner Cap (65) into the Front Upright (42). Slide the Front Upright (42) onto the 5/16" x 2 1/2" Carriage Bolts (1) in the Base (4). Hand tighten a 5/16" Nylon Locknut (3) onto each Carriage Bolt. **Do not tighten the Nylon Locknuts yet.**

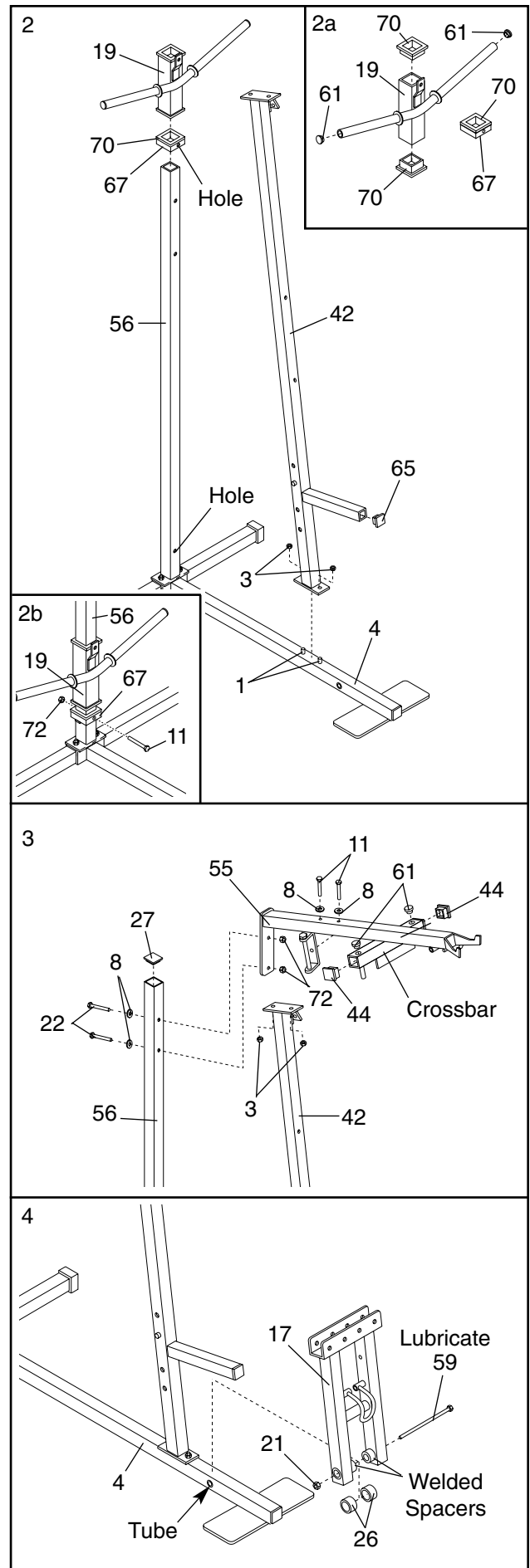
3. Press a 1 3/4" Square Inner Cap (44) into each end of the crossbar on the Top Frame (55). Press two 1" Inner Caps (61) into the top of the crossbar.

Attach the Top Frame (55) to the Front Upright (42) with two 5/16" x 2 3/4" Bolts (11), two 5/16" Flat Washers (8), and two 5/16" Nylon Locknuts (3). Attach the Top Frame to the Rear Upright (56) with two 5/16" x 2 1/2" Bolts (22), two 5/16" Flat Washers (8), and two 5/16" Nylon Jamnuts (72). Press a 2" Square Inner Cap (27) into the top of the Rear Upright.

**Tighten all Nylon Locknuts used in steps 1 through 3.**

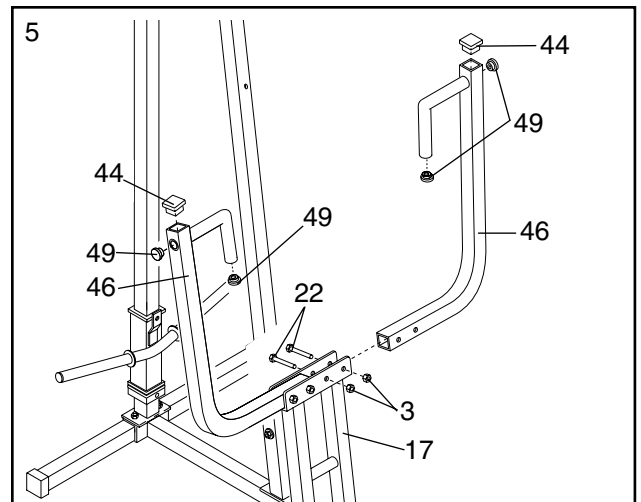
4. Press a 1" x 7/8" Plastic Bushing (26) onto each welded spacer on the Press Frame (17). Slide the Press Frame onto the Base (4) so the Plastic Bushings are aligned with the indicated tube in the base. **Note: This will be a tight fit. The Plastic Bushings should fit onto the ends of the tube in the Base.**

Lubricate a 3/8" x 8" Bolt (59). Attach the Press Frame (17) to the Base (4) with the 3/8" x 8" Bolt and a 3/8" Nylon Locknut (21).

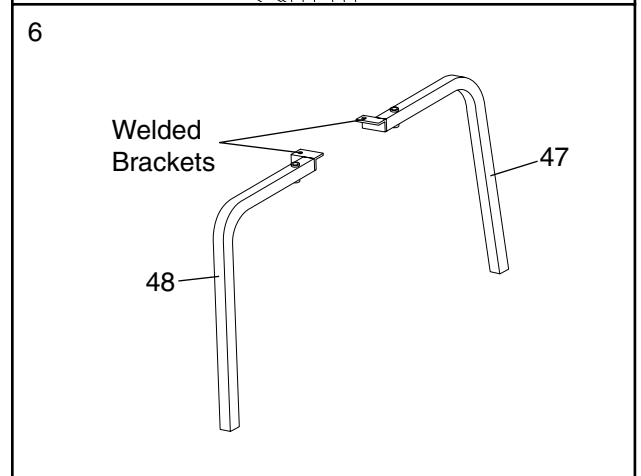


5. Press a 1 3/4" Square Inner Cap (44) into the top of one of the Press Arms (46). Press a 1" Round Inner Cap (49) into each end of the handle on the Press Arm. Attach the Press Arm to one side of the Press Frame (17) with two 5/16" x 2 1/2" Bolts (22) and two 5/16" Nylon Locknuts (3).

Assemble the other Press Arm (46) in the same manner.



6. Identify the Right Arm (48) and the Left Arm (47). Note the position of the welded brackets on each Arm. **Arm identification is very important for step 7.**



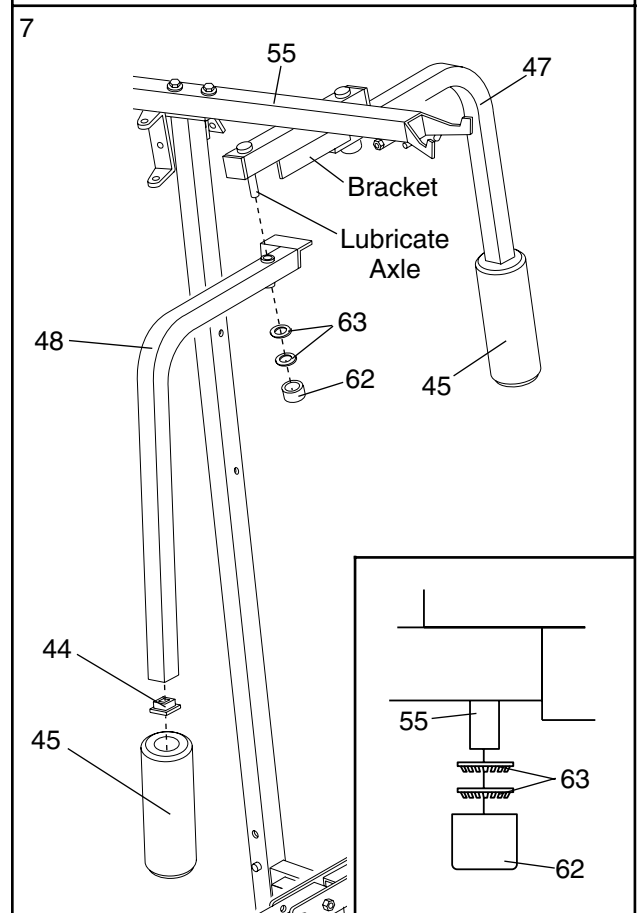
7. Lubricate both axles on the Top Frame (55).

Slide the Right Arm (48) onto the right axle. **Note: Be careful not to confuse the Right Arm with the Left Arm (47); refer to step 6 to identify the Right Arm. Be sure that the upper end of the Right Arm is behind the indicated bracket on the Top Frame (55).**

Tap two 1" Retainers (63) and a 1" Round Cover Cap (62) onto the right axle. **Be sure that the teeth on the Retainers bend toward the Cover Cap, as shown in the inset drawing.**

Attach the Left Arm (47) in the same manner.

Press 1 3/4" Square Inner Caps (44) into the lower ends of the Right and Left Arms (47, 48). Wet the lower end of each Arm with soapy water. Slide a Foam Pad (45) onto the lower end of each Arm.



8. During steps 9 through 22, refer to the CABLE DIAGRAM on page 19 of this manual to verify proper cable routing. Before beginning this section, identify the Short Cable (23) and the Long Cable (58) by comparing the lengths and the ends of the cables.

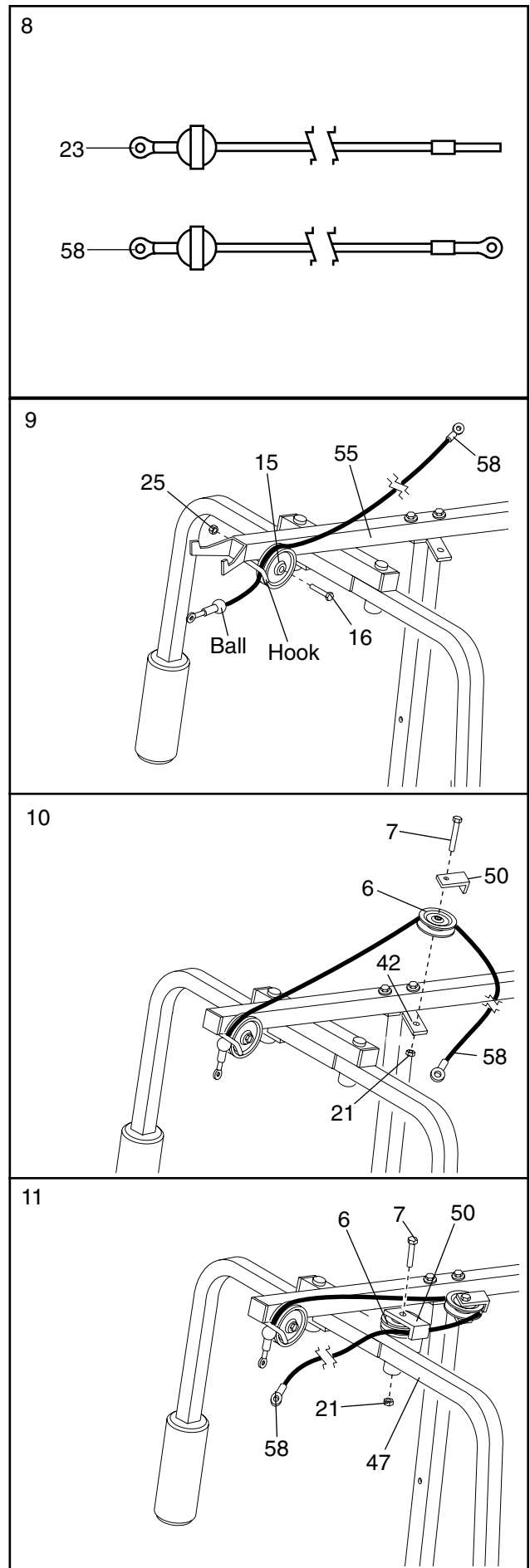
**IMPORTANT: While assembling the cables, do not overtighten the bolts and nuts securing the pulleys. The pulleys must turn freely.**

9. **Locate the Long Cable (58).** Route the Long Cable around a 3 1/2" Pulley (15).

Using a 3/8" x 3 1/2" Bolt (16) and a 3/8" Nylon Jamnut (25), attach the 3 1/2" Pulley (15) in the indicated location on the Top Frame (55). **Be sure that the end of the Cable with the ball is on the indicated side of the Pulley and that the Cable is between the Pulley and the hook on the Top Frame (55).**

10. Wrap the Long Cable (58) around a "V"-Pulley (6). Attach the "V"-Pulley and a Long Cable Trap (50) to the indicated bracket on the Front Upright (42) with a 3/8" x 2 1/2" Bolt (7) and a 3/8" Nylon Locknut (21). **Be sure that the Long Cable Trap is positioned to hold the Cable in place.**

11. Route the Long Cable (58) around a "V"-Pulley (6). Attach the "V"-Pulley (6) and a Long Cable Trap (50) to the Left Arm (47) with a 3/8" x 2 1/2" Bolt (7) and a 3/8" Nylon Locknut (21). **Be sure that the Cable is in the groove of the Pulley and that the Long Cable Trap (50) is positioned to hold the Cable in place.**

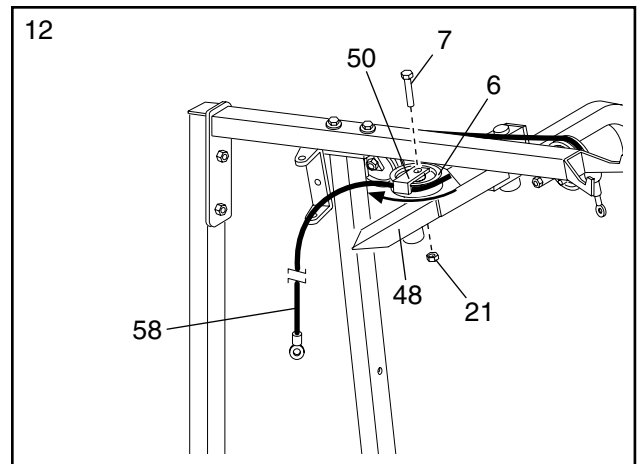




12. Route the Long Cable (58) around a “V”-Pulley (6). **Be sure that the Cable is in the groove of the “V”-Pulley and that a Long Cable Trap (50) is turned to hold the Cable in place.**

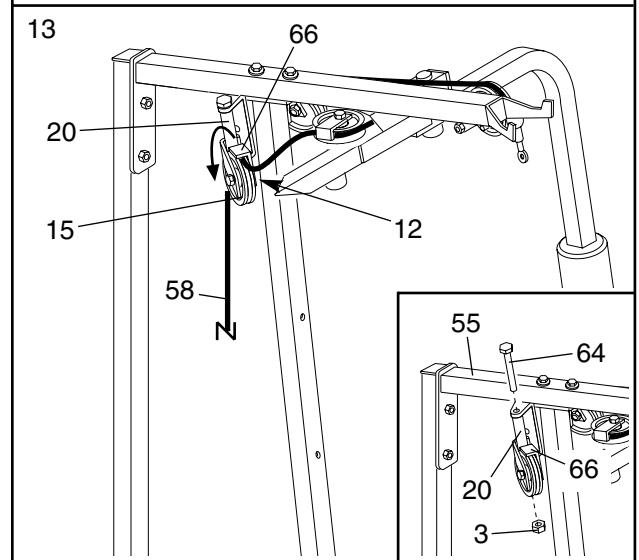
Attach the “V”-Pulley (6) and the Long Cable Trap (50) to the Right Arm (48) with a 3/8” x 2 1/2” Bolt (7) and a 3/8” Nylon Locknut (21).

**Make sure the Bolt and Nylon Locknut are tight.**

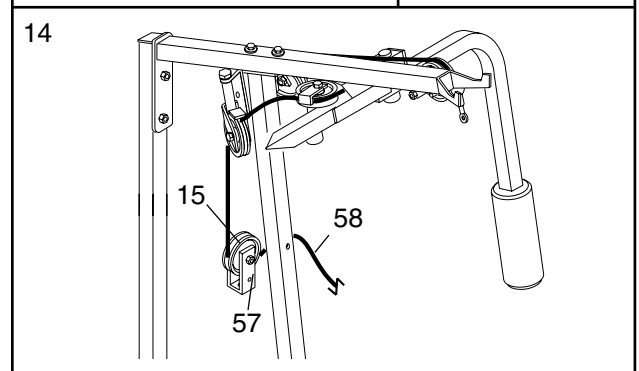


13. **Refer to the inset drawing.** Using a 5/16” x 4 3/4” Bolt (64) and a 5/16” Nylon Locknut (3), attach the Pulley Bracket (20) to the indicated bracket on the Top Frame (55). **Note: The Pulley Bracket is pre-assembled with a 3 1/2” Pulley (15) and a Cable Trap (66).**

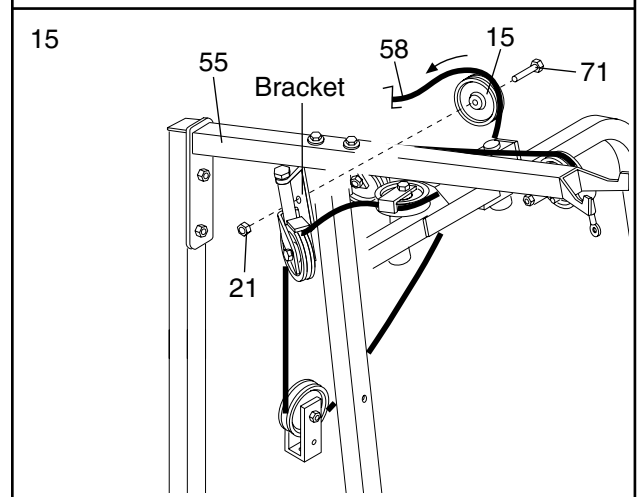
Route the Long Cable (58) around the 3 1/2” Pulley (15) attached to the Pulley Bracket (20). **Be sure that the Cable is in the groove of the Pulley and that the Cable Trap (66) is turned to hold the Cable in place.** Make sure that the 3/8” x 2” Bolt (12), securing the Pulley and Cable Trap to the Pulley Bracket, is properly tightened and that the Pulley Bracket can pivot freely.



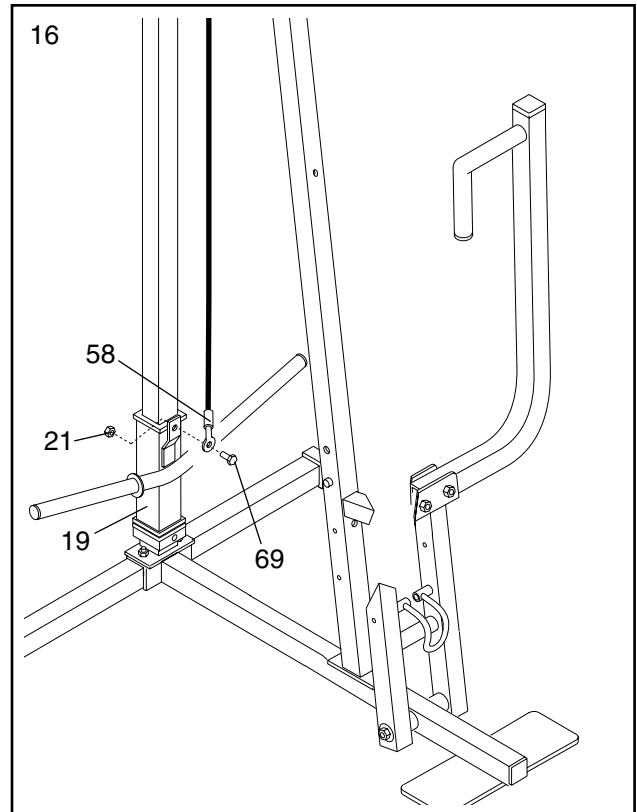
14. Locate the Long “U”-Bracket (57) that is pre-assembled with a 3 1/2” Pulley (15) and a Cable Trap (not shown). Route the Long Cable (58) around the Pulley and through the Long “U”-Bracket. **Be sure that the Cable is in the groove of the Pulley, that the Cable Trap is turned to hold the Cable in place, and that the Cable and Pulley move smoothly.**



15. Route the Long Cable (58) around a 3 1/2” Pulley (15). Using a 3/8” x 1 3/4” Bolt (71) and a 3/8” Nylon Locknut (21), secure the Pulley to the indicated bracket on the Top Frame (55). **Be sure that the Cable is in the groove of the Pulley and that the Cable and Pulley move smoothly.**

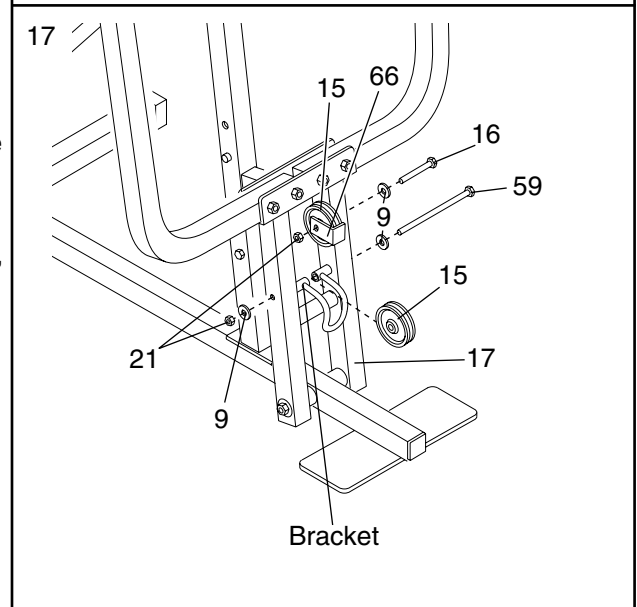


16. Attach the Long Cable (58) to the Weight Carriage (19) with a 3/8" x 3/4" Bolt (69) and a 3/8" Nylon Locknut (21). **Make sure that the Bolt and the Nylon Locknut are tight.**

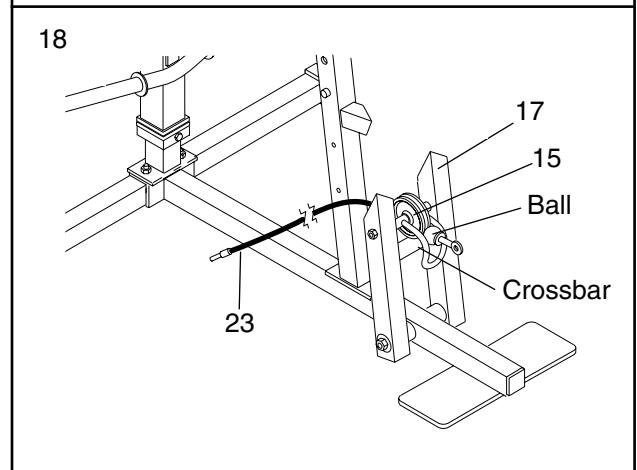


17. Using a 3/8" x 3 1/2" Bolt (16), a 3/8" Flat Washer (9), and a 3/8" Nylon Locknut (21), secure a 3 1/2" Pulley (15) and a Cable Trap (66) to the upper hole in the Press Frame (17). **Make sure that the Cable Trap and the Pulley are oriented as shown.**

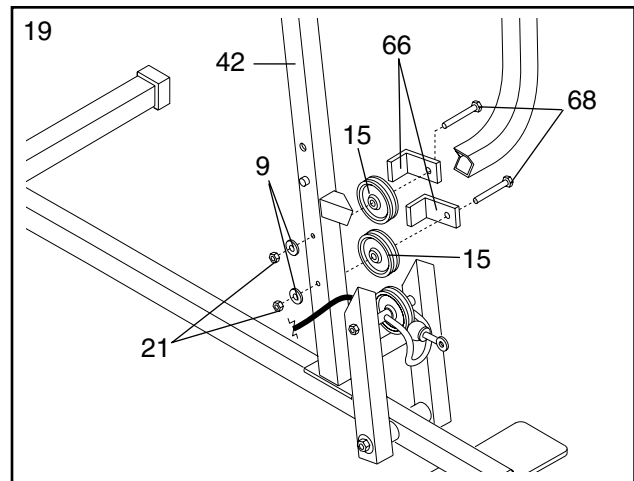
Hold a 3 1/2" Pulley (15) inside the indicated bracket on the Press Frame (17). Using a 3/8" x 8" Bolt (59), two 3/8" Flat Washers (9), and a 3/8" Nylon Locknut, attach the 3 1/2" Pulley to the Press Frame as shown.



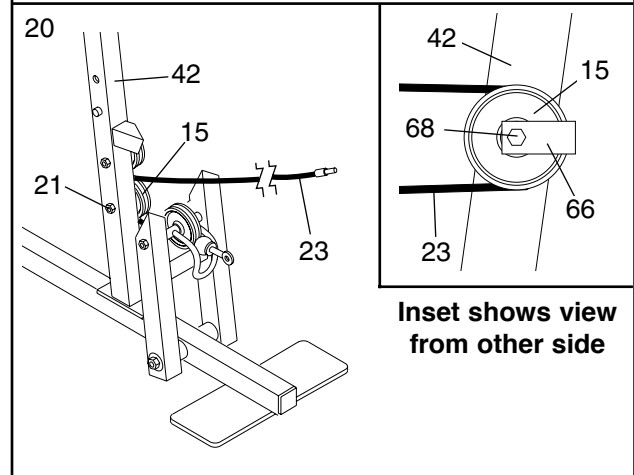
18. **Locate the Short Cable (23).** Route the Short Cable under the indicated 3 1/2" Pulley (15). **Be sure that the end of the Cable with the ball is between the Pulley and the crossbar on the Press Frame (17).**



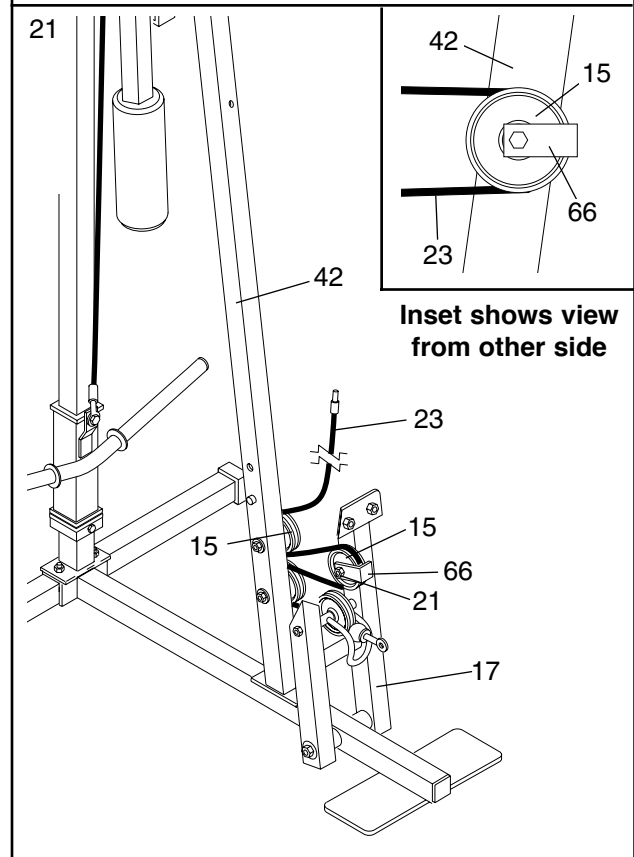
19. Slide a Cable Trap (66) and a 3 1/2" Pulley (15) onto each 3/8" x 3 3/4" Bolt (68). Insert the Bolts into the Front Upright (42) from the direction shown. Hand tighten a 3/8" Nylon Locknut (21) with a 3/8" Flat Washer (9) onto each Bolt. **Be sure that all parts are oriented as shown. Do not tighten the Nylon Locknuts yet.**



20. Route the Short Cable (23) around the 3 1/2" Pulley (15) attached to the lower hole in the Front Upright (42). **See the inset drawing. Be sure that the Cable Trap (66) is turned to hold the Cable in place and that the Cable is routed around the Pulley as shown.** Tighten the 3/8" Nylon Locknut (21) and the 3/8" x 3 3/4" Bolt (68).

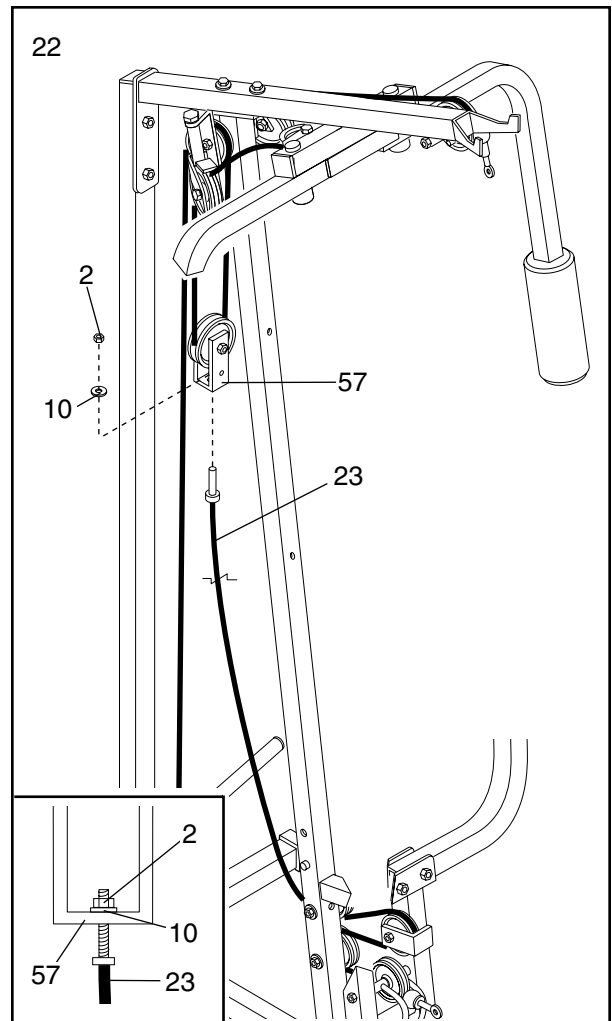


21. Route the Short Cable (23) up around the 3 1/2" Pulley (15) attached to the upper hole in the Press Frame (17). **Be sure that the Cable Trap (66) is turned to hold the Cable in place and that the Cable is routed around the Pulley as shown.**

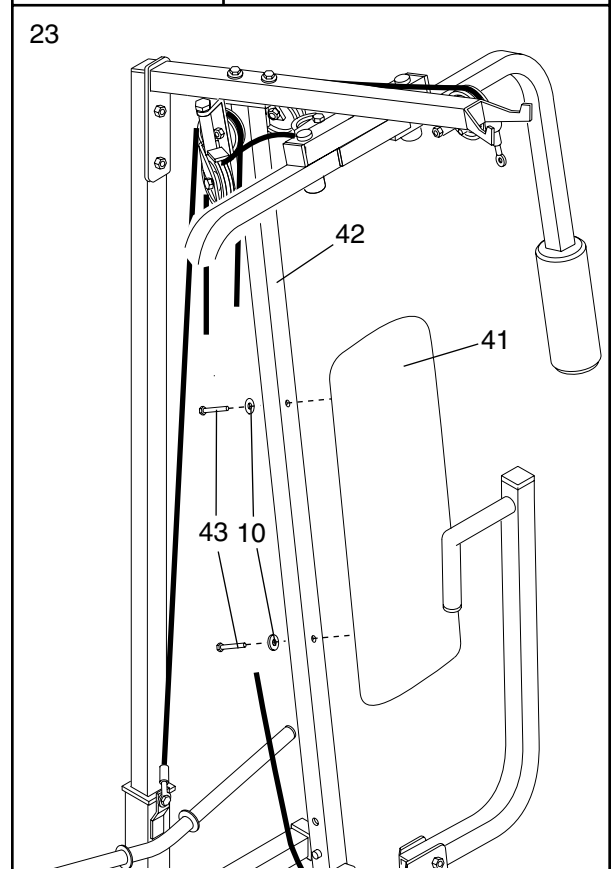


Next, route the Short Cable (23) around the 3 1/2" Pulley (15) attached to the upper hole in the Front Upright (42). **Refer to the inset drawing. Be sure that the Cable Trap (66) is turned to hold the Cable in place and that the Cable is routed around the Pulley (15) as shown.**

22. Attach the end of the Short Cable (23) to the Long "U"-Bracket (57) with a 1/4" Nylon Locknut (2) and a 1/4" Flat Washer (10). **Do not completely tighten the Nylon Locknut; it should be threaded onto the end of the Cable until two threads are showing above the Nylon Locknut, as shown in the inset drawing.**



23. Attach the Backrest (41) to the Front Upright (42) with two 1/4" x 2 1/2" Screws (43) and two 1/4" Flat Washers (10).



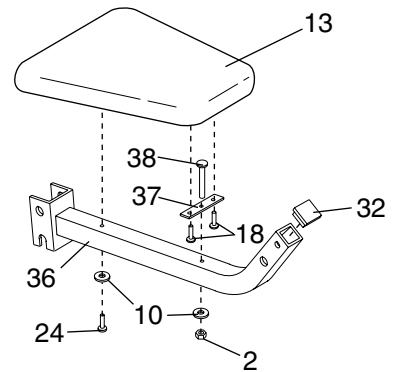
24. Press a 1 1/2" Square Inner Cap (32) into the Seat Frame (36).

Insert the 1/4" x 2" Carriage Bolt (38) into the center hole in the Seat Plate (37). Attach the Seat Plate to the Seat (13) with two 1/4" x 3/4" Screws (18).

Insert the 1/4" x 2" Carriage Bolt (38) into the indicated hole in the Seat Frame (36). Tighten a 1/4" Nylon Locknut (2) with a 1/4" Flat Washer (10) onto the Carriage Bolt.

Attach the other end of the Seat (13) to the Seat Frame (36) with a 1/4" Flat Washer (10) and the 1/4" x 2" Screw (24).

24

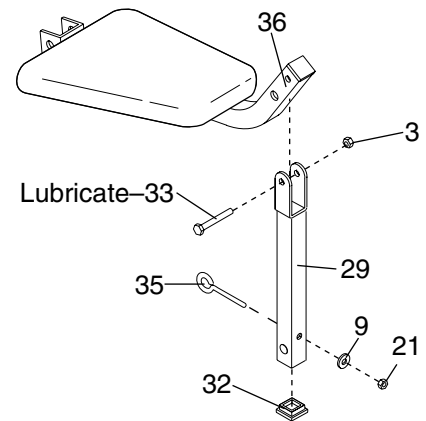


25. Press a 1 1/2" Square Inner Cap (32) into the Leg Lever (29).

Lubricate the 5/16" x 2 1/4" Bolt (33). Attach the Leg Lever (29) to the Seat Frame (36) with the 5/16" x 2 1/4" Bolt and a 5/16" Nylon Locknut (3). **Do not overtighten the Nylon Locknut. The Leg Lever must pivot freely.**

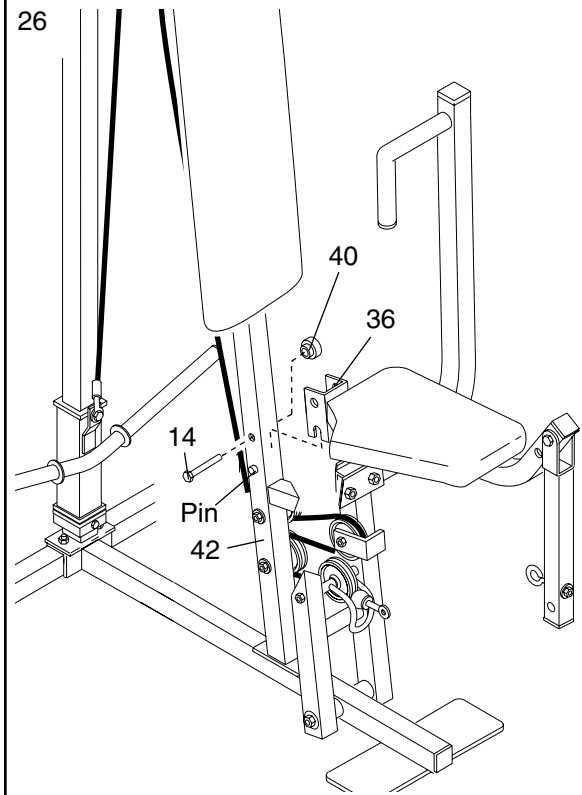
Insert the 3/8" x 2 1/2" Eyebolt (35) into the Leg Lever (29) from the direction shown. Tighten a 3/8" Nylon Locknut (21) with a 3/8" Flat Washer (9) onto the Eyebolt. **Note: Be sure the Eyebolt is positioned vertically on the Leg Lever.**

25



26. Rest the Seat Frame (36) on the indicated pin in the Front Upright (42). Attach the Seat Frame to the Front Upright with a 5/16" x 2 3/4" Carriage Bolt (14) and the Seat Knob (40).

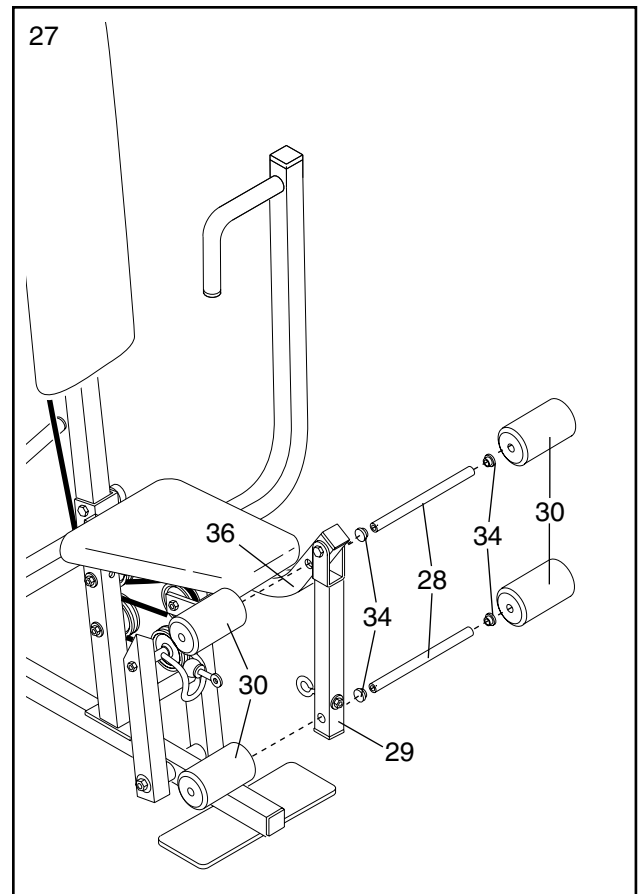
26



27. Press 3/4" Round Inner Caps (34) into the ends of both Pad Tubes (28).

Insert one Pad Tube (28) into the Seat Frame (36). Slide a Foam Pad (30) onto each end of the Pad Tube.

Insert the other Pad Tube (28) into the Leg Lever (29). Slide a Foam Pad (30) onto each end of the Pad Tube.



28. Make sure that all parts have been properly tightened. The use of all remaining parts will be explained in ADJUSTMENT, beginning on page 15 of this manual.

Before using the home gym, pull each cable a few times to make sure that the cables move smoothly over the pulleys. If one of the cables does not move smoothly, find and correct the problem. **IMPORTANT: If the cables are not properly routed, they may be damaged when heavy weight is used. See the CABLE DIAGRAM on page 19 of this manual for proper cable routing. If there is any slack in the cables, you will need to remove it by tightening the cables. See TROUBLE-SHOOTING AND MAINTENANCE on page 18.**

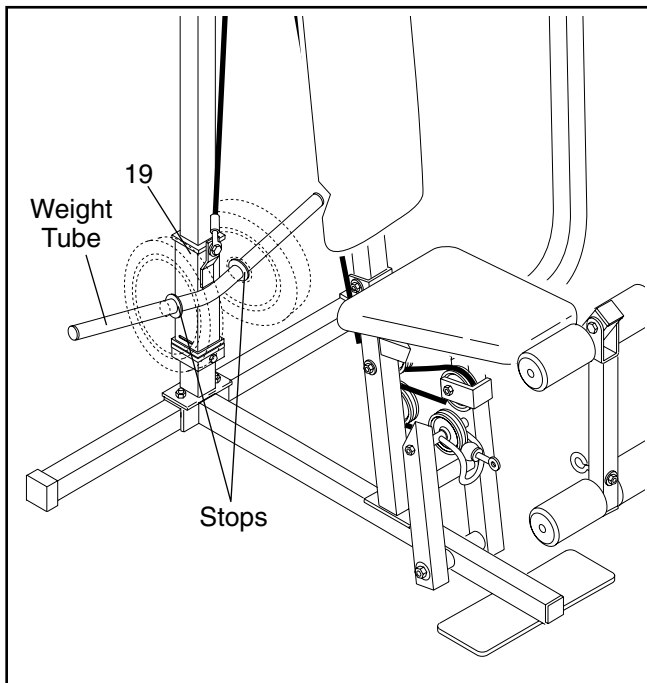
# ADJUSTMENT

The instructions below describe how each part of the home gym can be adjusted. Refer to the exercise poster accompanying this manual to see how the home gym should be set up for each exercise. **IMPORTANT: When attaching the lat bar or nylon strap, make sure that the attachments are in the correct starting position for the exercise to be performed. If there is any slack in the cables or chain as an exercise is performed, the effectiveness of the exercise will be reduced.**

## ADDING WEIGHTS TO THE WEIGHT CARRIAGE

To add resistance to your workout, slide an equal amount of weight (not included) onto each side of the weight tube on the Weight Carriage (19). Make sure that the weights are pushed against the stops and that the amount of weight on each end of the weight tube is the same. **Note: Due to the cables and pulleys, the actual amount of resistance at each exercise station may vary from the amount of weight used. Use the WEIGHT RESISTANCE CHART on page 17 to find the actual amount of resistance at each weight station.**

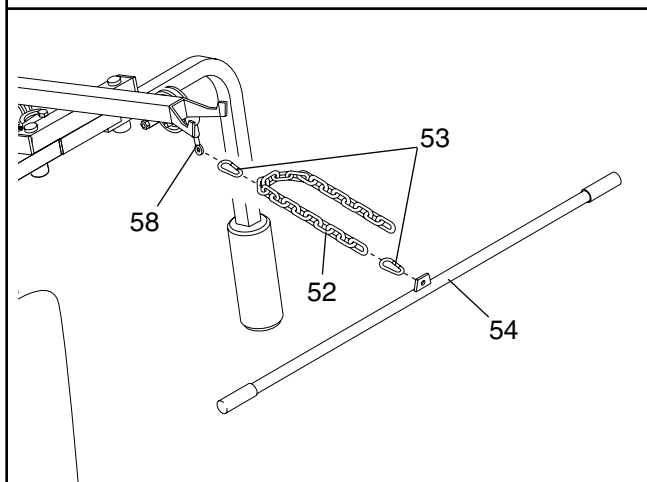
**WARNING: Do not place more than 125 pounds on the weight carriage.**



## ATTACHING THE LAT BAR OR NYLON STRAP TO THE HIGH PULLEY STATION

Attach the Lat Bar (54) to the Long Cable (58) with a Cable Clip (53). For some exercises, the Chain (52) should be attached between the Lat Bar and the Long Cable with two Cable Clips. **Adjust the length of the Chain between the Lat Bar and the Long Cable so the Lat Bar is in the correct starting position for the exercise to be performed.**

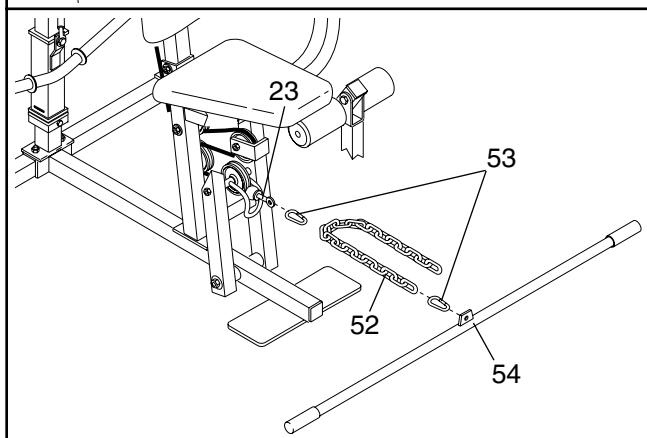
The Nylon Strap (not shown) can be attached in the same manner.



## ATTACHING THE LAT BAR OR NYLON STRAP TO THE LOW PULLEY STATION

Attach the Lat Bar (54) to the Short Cable (23) with a Cable Clip (53). For some exercises, the Chain (52) should be attached between the Lat Bar and the Pulley Cable with two Cable Clips. **Adjust the length of the Chain between the Lat Bar and the Short Cable so the Lat Bar is in the correct starting position for the exercise to be performed.**

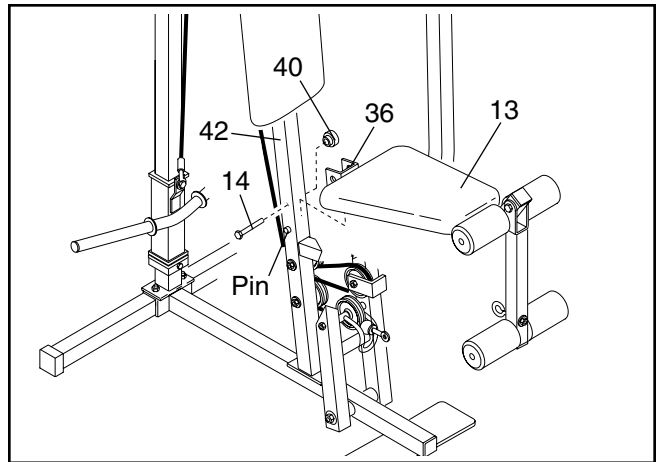
The Nylon Strap (not shown) can be attached in the same manner.



## ATTACHING AND REMOVING THE SEAT

Set the bracket on the Seat Frame (36) onto the indicated pins on the Front Upright (42). Attach the Seat Frame to the Front Upright with the 5/16" x 2 3/4" Carriage Bolt (14) and the Seat Knob (40).

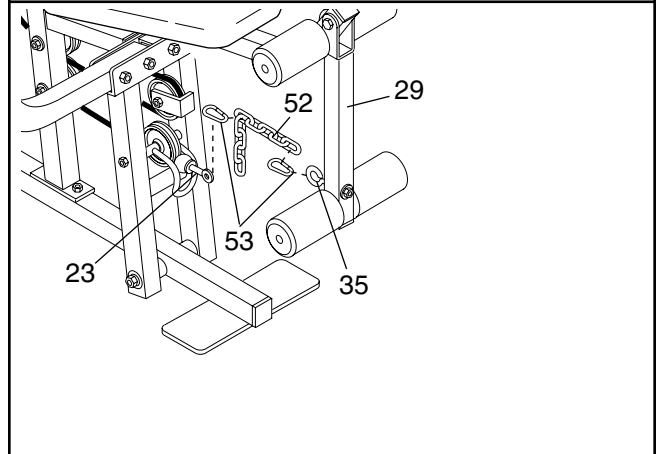
For some exercises, the Seat (13) must be removed. First, be sure that the chain is not attached to the leg lever. Next, remove the Seat Knob (40) and the 5/16" x 2 3/4" Carriage Bolt (14) from the Seat Frame (36). Lift the Seat Frame off the Front Upright (42).



## ATTACHING THE LEG LEVER TO THE LOW PULLEY STATION

To use the Leg Lever (29), the seat must be attached to the front upright (see ATTACHING AND REMOVING THE SEAT above).

Attach one end of the Chain (52) to the Eyebolt (35) with a Cable Clip. Attach the Chain (52) to the Short Cable (23) with a Cable Clip (53). **Note: Be sure the Eyebolt is positioned vertically on the Leg Lever.**





## WEIGHT RESISTANCE CHART

This chart shows the approximate weight resistance at each weight station. The column labeled “WEIGHT ON WEIGHT CARRIAGE” refers to the amount of weight, in pounds, placed on the weight carriage. The weight resistance shown for the butterfly arm station is for each butterfly arm. **Note: The actual resistance at each station may vary due to friction between the cables, pulleys, and weight carriage.**

WEIGHT ON WEIGHT CARRIAGE	PRESS ARM (lbs.)	BUTTERFLY ARM (lbs.)	LOW PULLEY/ LEG LEVER (lbs.)	HIGH PULLEY (lbs.)
0	12	7	10	10
5	22	11	18	16
10	31	15	25	21
15	40	20	32	26
20	50	24	39	32
25	59	29	46	37
30	68	33	53	42
35	78	38	61	47
40	87	42	68	53
45	97	47	75	58
50	106	51	82	63
55	115	56	89	68
60	125	60	96	74
65	134	64	103	79
70	144	69	111	84
75	153	73	118	89
80	162	78	125	95
85	172	82	132	100
90	181	87	139	105
95	190	91	146	110
100	200	96	153	116
105	210	100	160	121
110	219	104	168	126
115	228	109	175	131
120	237	113	182	137
125	247	118	189	142

# TROUBLE-SHOOTING AND MAINTENANCE

Inspect and tighten all parts each time you use the home gym. Replace any worn parts immediately. The home gym can be cleaned using a damp cloth and mild non-abrasive detergent. Do not use solvents.

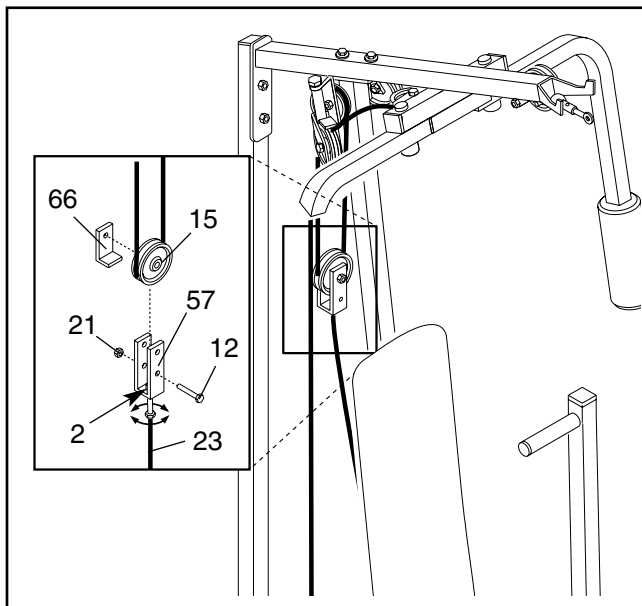
## TIGHTENING THE CABLES

Woven cable, the type of cable used on the home gym, can stretch slightly when it is first used. If there is slack in the cables before resistance is felt, the cables should be tightened.

Slack can be removed from the Short Cable (23) by tightening the 1/4" Nylon Locknut (2) at the end of the Cable.

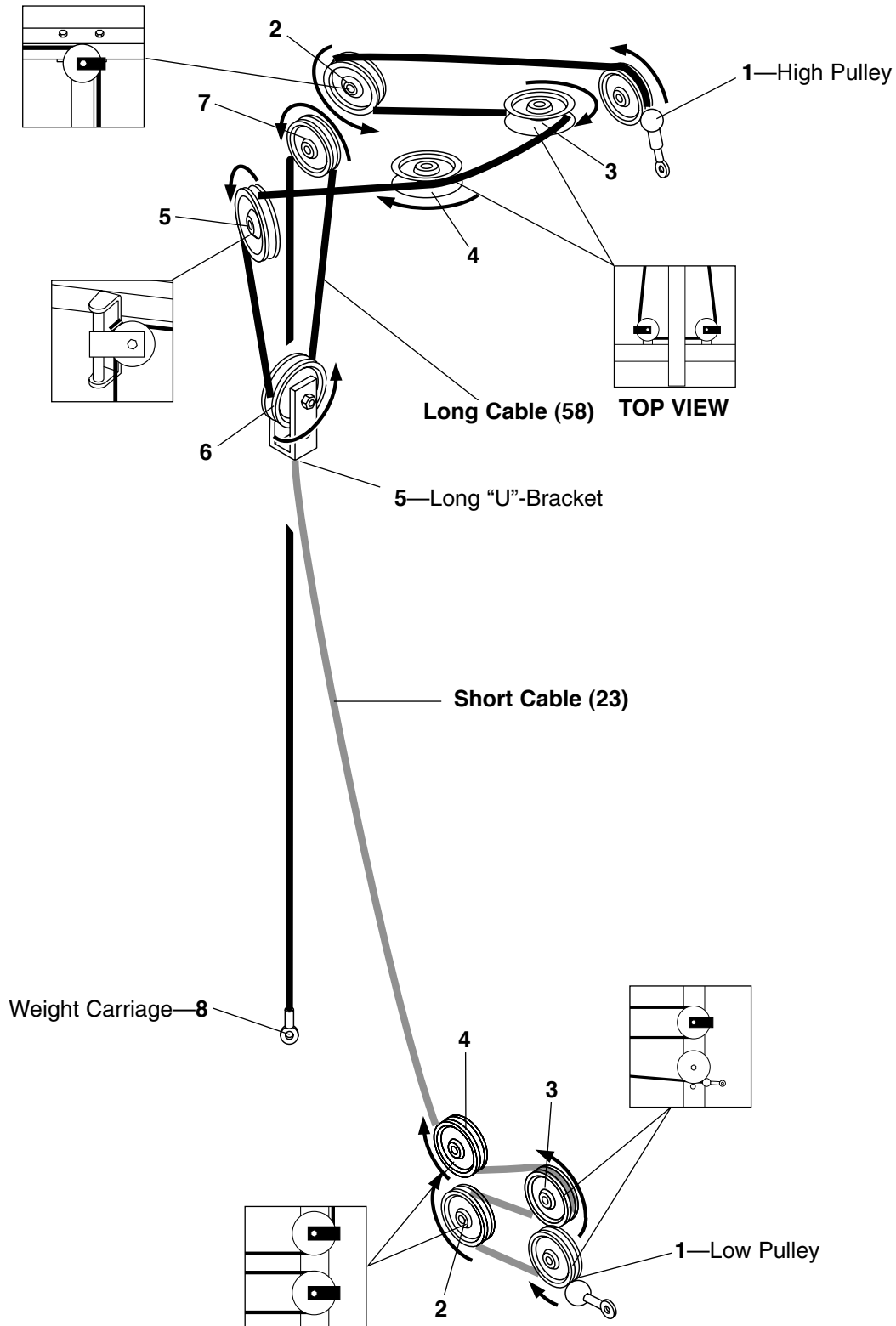
Additional slack can be removed by moving the 3 1/2" Pulley (15) to the other hole in the Long "U"-Bracket (57). Remove the 3/8" Nylon Locknut (21) and the 3/8" x 2" Bolt (12) from the Cable Trap (66), the Pulley, and the "U"-Bracket. Re-attach the Pulley and the Cable Trap to the other hole in the "U"-Bracket. **Make sure that the Cable Trap is in the proper position and that the Cable and Pulley move smoothly.**

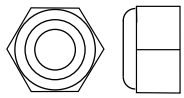
**Note: If a cable tends to slip off the pulleys, the cable may have become twisted. Remove the cable and re-install it. If a cable needs to be replaced, see ORDERING REPLACEMENT PARTS on the back cover of this manual.**



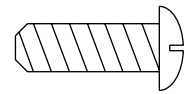
# CABLE DIAGRAM

The cable diagram below shows the proper routing of the Short Cable (23) and the Long Cable (58). Use the diagram to be sure that the two cables and the cable traps have been assembled correctly. If the cables have not been correctly routed, the home gym will not function properly and damage may occur. The numbers show the correct route for each cable. The starting and ending points of each cable are labeled. The small drawings show the correct position of each cable trap. **Make sure that the cable traps do not touch or bind the cables.**

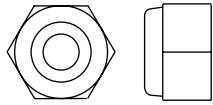




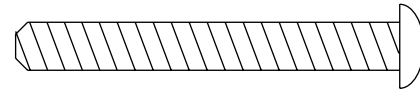
1/4" Nylon Locknut (2)



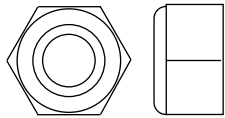
1/4" x 3/4" Screw (18)



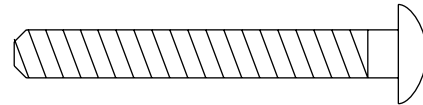
5/16" Nylon Locknut (3)



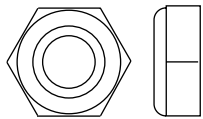
1/4" x 2" Screw (24)



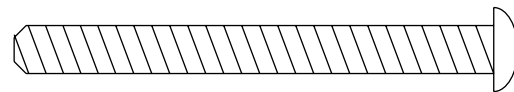
3/8" Nylon Locknut (21)



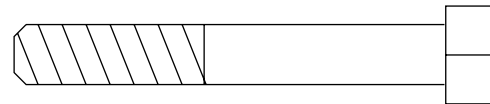
1/4" x 2" Carriage Bolt (38)



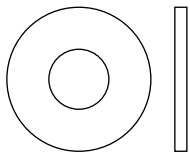
3/8" Nylon Jamnut (25)



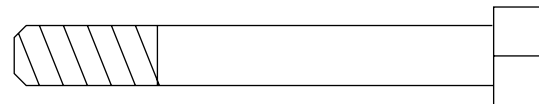
1/4" x 2 1/2" Screw (43)



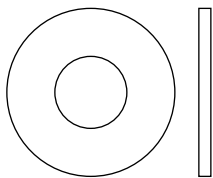
5/16" x 2 1/4" Bolt (33)



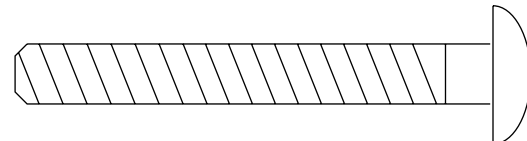
1/4" Flat Washer (10)



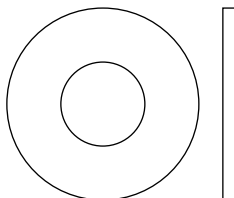
5/16" x 2 1/2" Bolt (22)



5/16" Flat Washer (8)



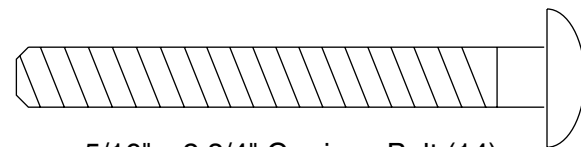
5/16" x 2 1/2" Carriage Bolt (1)



3/8" Flat Washer (9)



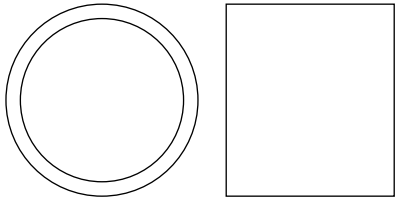
5/16" x 2 3/4" Bolt (11)



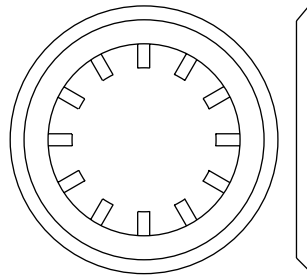
5/16" x 2 3/4" Carriage Bolt (14)



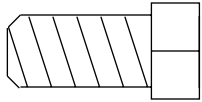
5/16" x 4 3/4" Bolt (64)



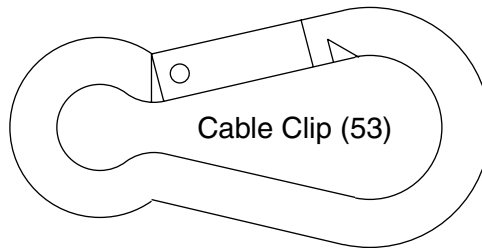
1" x 7/8" Plastic Bushing (26)



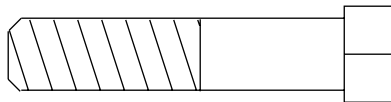
1" Retainer (63)



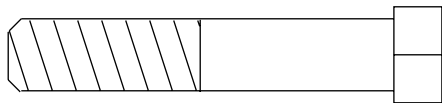
3/8" x 3/4" Bolt (69)



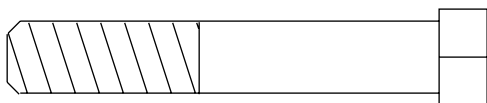
Cable Clip (53)



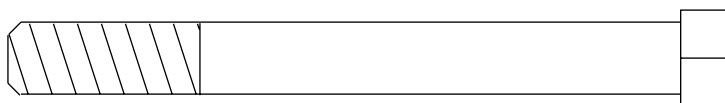
3/8" x 1 3/4" Bolt (71)



3/8" x 2" Bolt (12)



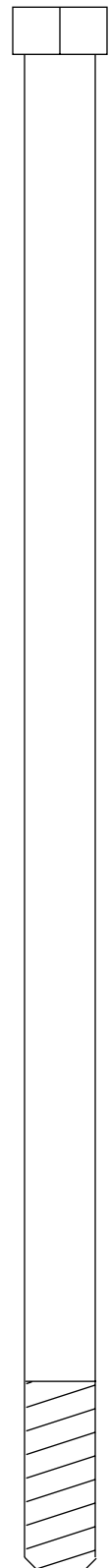
3/8" x 2 1/2" Bolt (7)



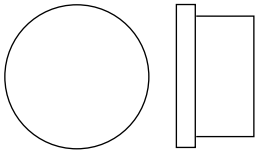
3/8" x 3 1/2" Bolt (16)



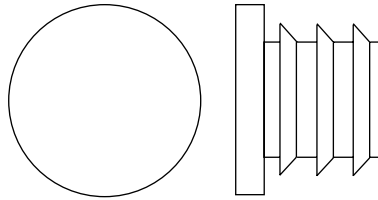
3/8" x 3 3/4" Bolt (68)



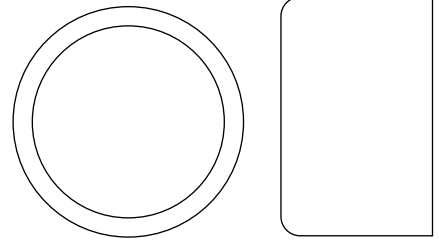
3/8" x 8" Bolt (59)



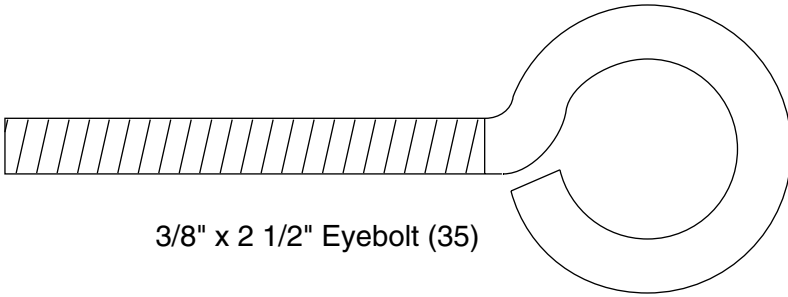
3/4" Round Inner Cap (34)



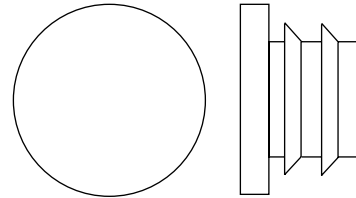
1" Round Inner Cap (49)



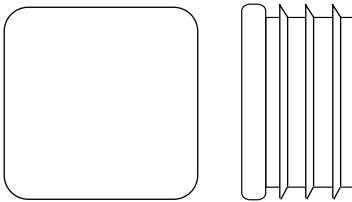
1" Round Cover Cap (62)



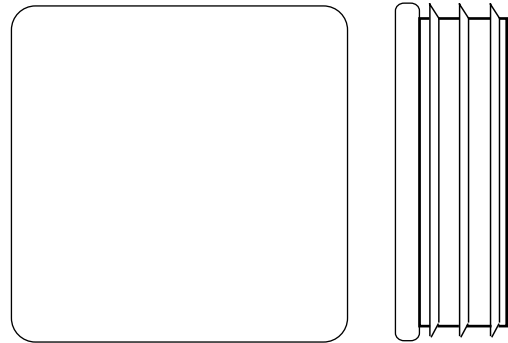
3/8" x 2 1/2" Eyebolt (35)



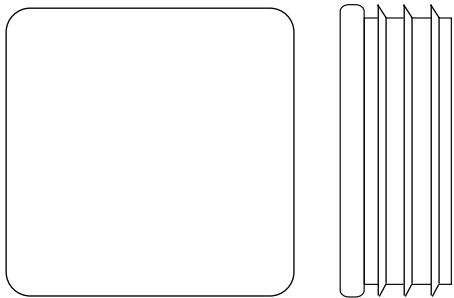
1" Inner Cap (61)



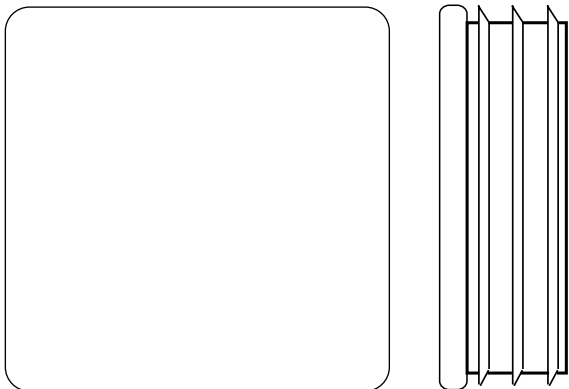
1" Square Inner Cap (65)



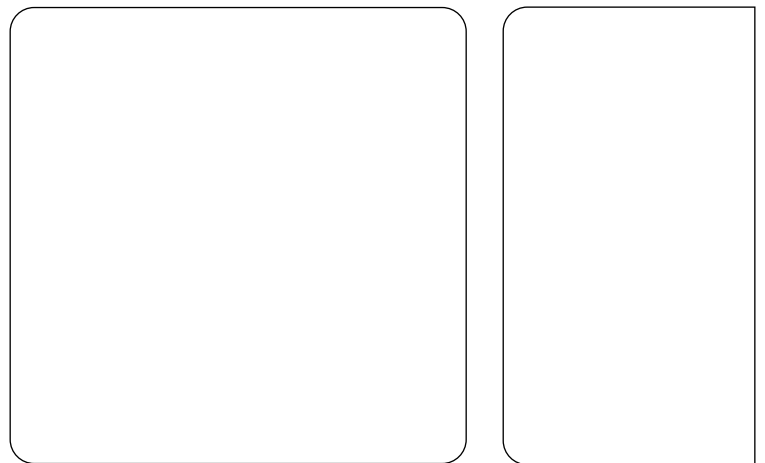
1 3/4" Square Inner Cap (44)



1 1/2" Square Inner Cap (32)



2" Square Inner Cap (27)



2" Square Outer Cap (51)

# PART LIST—Model No. 831.159710

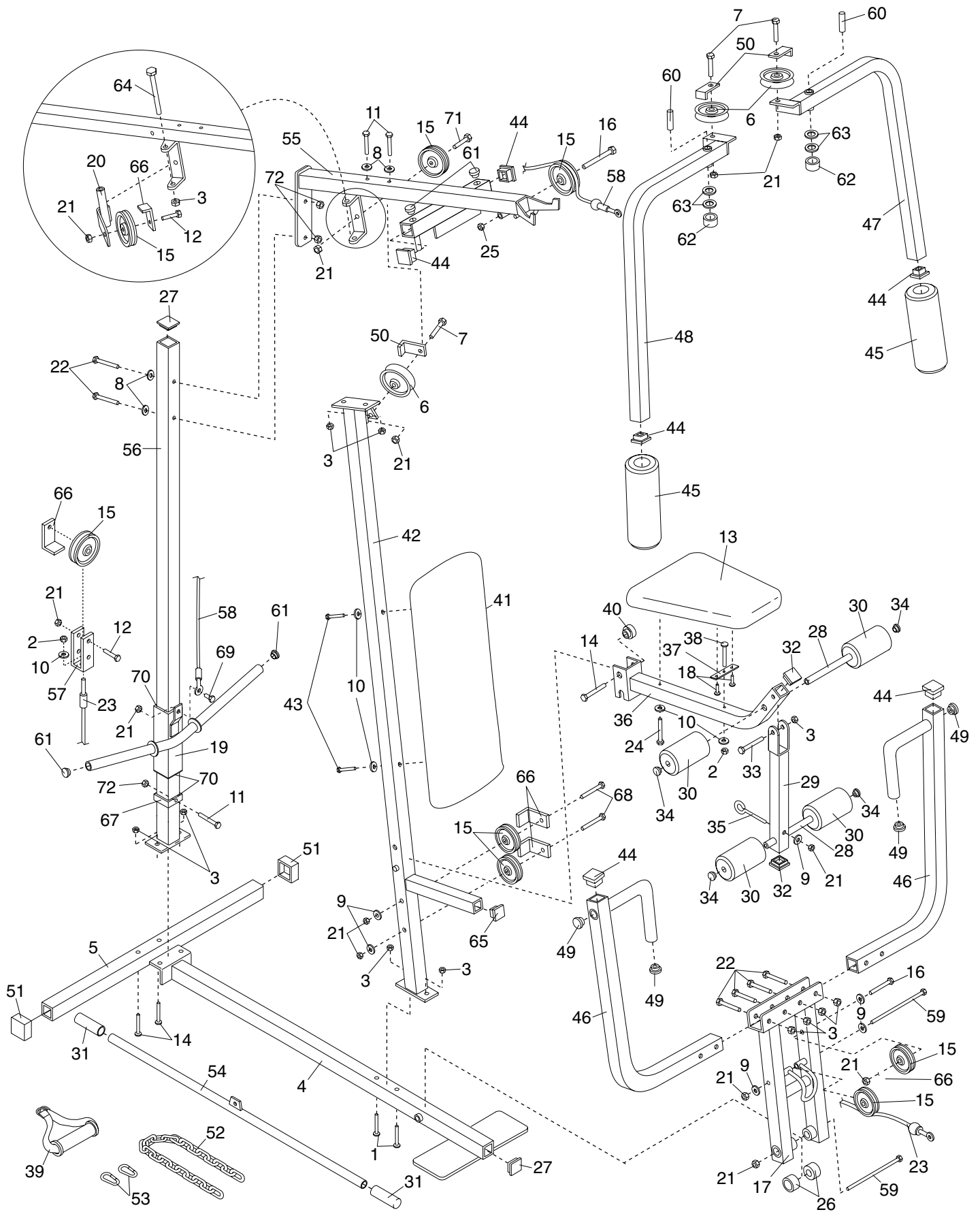
R0801A

Key No.	Qty.	Description	Key No.	Qty.	Description
1	2	5/16" x 2 1/2" Carriage Bolt	38	1	1/4" x 2" Carriage Bolt
2	2	1/4" Nylon Locknut	39	1	Nylon Strap
3	14	5/16" Nylon Locknut	40	1	Seat Knob
4	1	Base	41	1	Backrest
5	1	Stabilizer	42	1	Front Upright
6	3	"V"-Pulley	43	2	1/4" x 2 1/2" Screw
7	3	3/8" x 2 1/2" Bolt	44	6	1 3/4" Square Inner Cap
8	4	5/16" Flat Washer	45	2	Foam Pad
9	6	3/8" Flat Washer	46	2	Press Arm
10	5	1/4" Flat Washer	47	1	Left Arm
11	3	5/16" x 2 3/4" Bolt	48	1	Right Arm
12	2	3/8" x 2" Bolt	49	4	1" Round Inner Cap
13	1	Seat	50	3	Long Cable Trap
14	3	5/16" x 2 3/4" Carriage Bolt	51	2	2" Square Outer Cap
15	8	3 1/2" Pulley	52	1	Chain
16	2	3/8" x 3 1/2" Bolt	53	2	Cable Clip
17	1	Press Frame	54	1	Lat Bar
18	2	1/4" x 3/4" Screw	55	1	Top Frame
19	1	Weight Carriage	56	1	Rear Upright
20	1	Pulley Bracket	57	1	Long "U"-Bracket
21	13	3/8" Nylon Locknut	58	1	Long Cable
22	6	5/16" x 2 1/2" Bolt	59	2	3/8" x 8" Bolt
23	1	Short Cable	60	2	Butterfly Arm Bushing
24	1	1/4" x 2" Screw	61	4	1" Inner Cap
25	1	3/8" Nylon Jamnut	62	2	1" Round Cover Cap
26	2	1" x 7/8" Plastic Bushing	63	4	1" Retainer
27	2	2" Square Inner Cap	64	1	5/16" x 4 3/4" Bolt
28	2	Pad Tube	65	1	1" Square Inner Cap
29	1	Leg Lever	66	5	Cable Trap
30	4	Foam Pad	67	1	Weight Stop
31	2	Hand Grip	68	2	3/8" x 3 3/4" Bolt
32	2	1 1/2" Square Inner Cap	69	1	3/8" x 3/4" Bolt
33	1	5/16" x 2 1/4" Bolt	70	3	Square Slider Bushing
34	4	3/4" Round Inner Cap	71	1	3/8" x 1 3/4" Bolt
35	1	3/8" x 2 1/2" Eyebolt	72	3	5/16" Nylon Jamnut
36	1	Seat Frame	#	1	User's Manual
37	1	Seat Plate	#	1	Exercise Poster

Note: "#" indicates a non-illustrated part. Specifications are subject to change without notice.

# EXPLODED DRAWING—Model No. 831.159710

R0801A







**Model No. 831.159710**

## **QUESTIONS?**

**If you find that:**

- **you need help assembling or operating the WEIDER® 8920 home gym**
- **a part is missing**
- **or you need to schedule repair service**

**call our toll-free HELPLINE**

**1-800-736-6879**

**Monday–Saturday, 7 am–7 pm  
Central Time (excluding holidays)**

## **REPLACEMENT PARTS**

**If parts become worn and need to be replaced, call the following toll-free number**

**1-800-FON-PART  
(1-800-366-7278)**

The model number and serial number of your WEIDER® 8920 home gym are listed on a decal attached to the frame. See the front cover of this manual to find the location of the decal.

All replacement parts are available for immediate purchase or special order when you visit your nearest SEARS Service Center. To request service or to order parts by telephone, call the toll-free numbers listed at the left.

When requesting help or service, or ordering parts, please be prepared to provide the following information:

- The MODEL NUMBER of the product (831.159710).
- The NAME of the product (WEIDER® 8920 home gym).
- The KEY NUMBER and DESCRIPTION of the PART (see the PART LIST and EXPLODED DRAWING on pages 22 and 23 of this manual).

**SEARS, ROEBUCK AND CO., HOFFMAN ESTATES, IL 60179**