



If you have any questions regarding our products, call our toll-free consumer customer service line: **800.643.3522**

Visit our web page: www.hatham.com

Double Cushioned Swing

Congratulations on your purchase of the Hatteras Hammocks® Double Cushioned Swing. We believe that you will find it a product of unsurpassed quality and durability.

Hatteras Hammocks designed the Double Cushioned Swing to be both beautiful and functional using only the highest quality materials. It may be hung from a sturdy limb or beam (strong enough to support at least 450 lbs.) or from one of the swing stands that we offer. We hope you will enjoy years of pleasure and relaxation from this swing.

The box contains:

- 1 - Double Swing Cushion
- 1 - Oak Top Stick (4 sided)
- 1 - Oak Bottom Stick (5 sided)
- 2 - Curved Oak Arms
- 2 - Chain and Ring Assemblies
- 2 - Tree Hooks

Hardware:

- 2 - 3" x 3/8" Carriage Bolts
- 2 - 2 1/2" x 3/8" Carriage Bolts
- 2 - 1 1/4" x 3/8" Carriage Bolts
- 10 - 3/8" Nuts
- 14 - 3/8" Washers

You also will need:

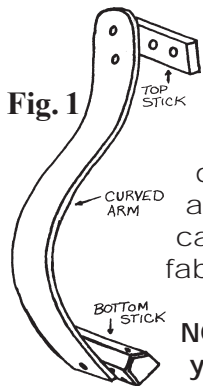
- A 9/16" wrench
- An electric drill (not necessary if you plan to hang your swing on a swing stand).



Assembly Instructions:

NOTE: If you plan to hang your Double Cushioned Swing on a swing stand, make sure your stand is assembled according to its instructions before you begin assembling your swing.

1. Insert the top stick (4 sided) through the sleeve at the top of the swing cushion back (the sleeve attached to the smallest section of cushion). Next, slide the bottom (5-sided) stick into the sleeve at the bottom front of the cushion (the sleeve attached to the largest

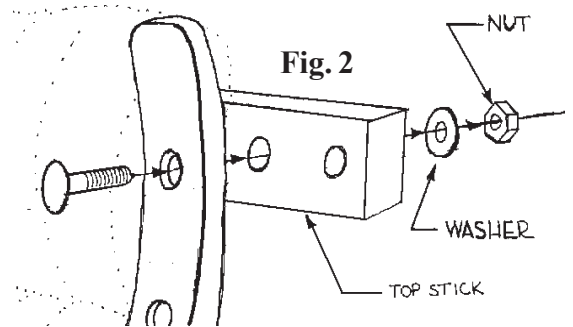


section of cushion). Make sure the narrowest flat side of the bottom stick is facing up into the curve of the arm. If this is inserted in the wrong direction, completely remove the stick and insert correctly. Incorrect insertion will cause chafing and possibly tearing of the fabric.

NOTE - If you plan to attach a canopy to your swing at the time of swing assembly, please refer to your Double Cushioned

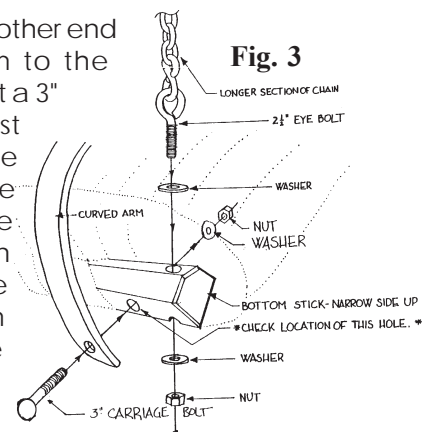
Swing Canopy Instructions now. Follow the instructions for the assembly of the canopy through step #6. Then, return to this instruction sheet, skipping steps #2-#4, and picking up the swing assembly instructions at step #5.

2. To connect the swing arms, position each arm with two holes at the top. (See Fig. 1) Insert (from the front to back) a 2 1/2" carriage bolt through the arm's top hole then



through the second hole from the end of the top stick. (See Fig. 2) **HAND TIGHTEN ONLY** using a washer and a nut.

3. To connect the other end of the same arm to the bottom stick, insert a 3" carriage bolt, first through the bottom hole of the curved arm. (See Fig. 3) then through the second hole from the end of the bottom stick.

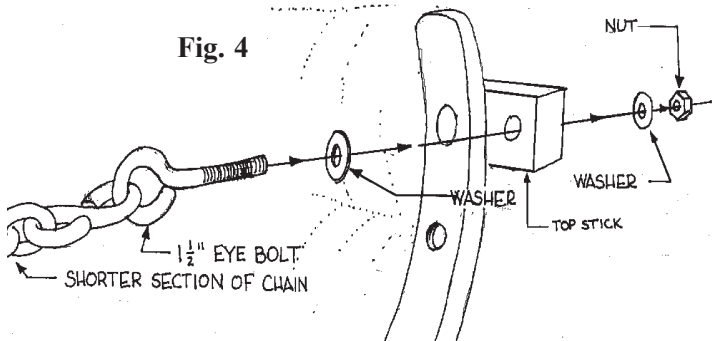


4. Repeat steps 2 and 3 for the other arm.



If you have any questions regarding our products, call our toll-free consumer customer service line: **800.643.3522**
Visit our web page: www.hatham.com

Double Cushioned Swing



9. Finish assembly by squaring up the swing and making sure that all bolts are tightened with a wrench.

10. Adjust the height of the swing with the chains for maximum comfort. When you sit in the swing, your feet should touch the ground with your knees slightly bent.

5. To attach the chain assemblies, work on one side at a time. On one of the chain-and-ring assemblies, find the shorter section of chain with an eye bolt. Place a washer on this eye bolt, and insert the eye bolt through the outside hole on one end of the top stick. Tighten using a washer, a nut, and a 9/16" wrench. (See Fig. 4)

6. On the same chain assembly used in step 5, find the longer section of chain with an eye bolt. Place a washer on this eye bolt and insert the eye bolt through the outside hole (drilled through the narrow side) of the bottom stick. Tighten using a washer, a nut, and a 9/16" wrench.

7. Repeat steps 5 and 6 for the other side.

8. Hang your swing before you tighten all the carriage bolts.

If you plan to hang your swing from a tree limb or beam:

a. Select a location that is 6 1/2 - 8 1/2 feet off the ground and will support at least 450 lbs. When installing the tree hooks that accompany your swing, first drill a 1/8"-3/16" pilot hole. (Pilot hole should be as small as possible in order to ensure safe assembly and use of swing.) Insert the screw hook to the point that the eye of the screw is in contact with the surface of the hole. **NOTE: Do not over-twist the hook assembly. This may cause damage to the metal and weaken the support.**

b. If installing the swing into any surface other than wood, consult a professional for the proper method and the additional supplies needed for a safe installation.

c. Hook one chain assembly on each of the tree hooks.

Care and Maintenance:

The Hatteras Hammocks Double Cushioned Swing is crafted using the highest quality outdoor fabric available. It is designed to be weatherable and to resist fading. However, in order to keep your swing in the best condition, it may be prudent to bring it indoors during extreme conditions.

The nature of the acrylic or acrylic blend fabric makes it easy to clean. Simply wash it briskly with a soapy solution of liquid dishwashing detergent and warm water. Rinse your cushion thoroughly with clean water to remove the soap, and let it air dry. For stubborn stains or suntan oil, use brush tip or Kleenol 1 spot remover. Follow the directions on the container, sponge the area thoroughly with clean water, and air dry.

DO NOT ALLOW CHILDREN TO USE THE HAMMOCK WITHOUT DIRECT ADULT SUPERVISION. DO NOT HAVE INFANTS IN THE SWING.

WARRANTY INFORMATION:

Products of The HammockSource are guaranteed to be free of defects in workmanship and materials for up to one year after the purchase date. Prolonged exposure to weather conditions including snow, rain, and humidity are not covered under the warranty nor is damage caused by normal wear, mildew, or improper care including storage, maintenance, and installation. If an item is found to be defective within one year of its purchase, it will be replaced without charge upon the return of the unit accompanied by a sales receipt. If you choose to return an item, you must contact our customer service department at 800.334.1078 to obtain a Return Authorization Number that will allow us to track your unit once it arrives at our warehouse; thereby creating a faster response to your concern.

The HammockSource - Post Office Box 1602,
Greenville, North Carolina 27835
Consumer Customer Service: 800.643.3522

5005 p.2
1.0D