

NERF™

AGES 6+



N-STRIKE FIREFLY REV-8™

49597

Thank you for purchasing the NERF N-STRIKE FIREFLY REV-8 blaster. Be sure to read and follow all instructions carefully before using this product.

Want to add another level of fun to your NERF combat? With the N-STRIKE FIREFLY REV-8 now you can take aim at your opponent...anytime, anywhere, EVEN AT NIGHT! Watch your barrel burst with light as your Glow Darts speed to their target! The N-STRIKE FIREFLY REV-8 gives you all the fun of competition under the cover of darkness!

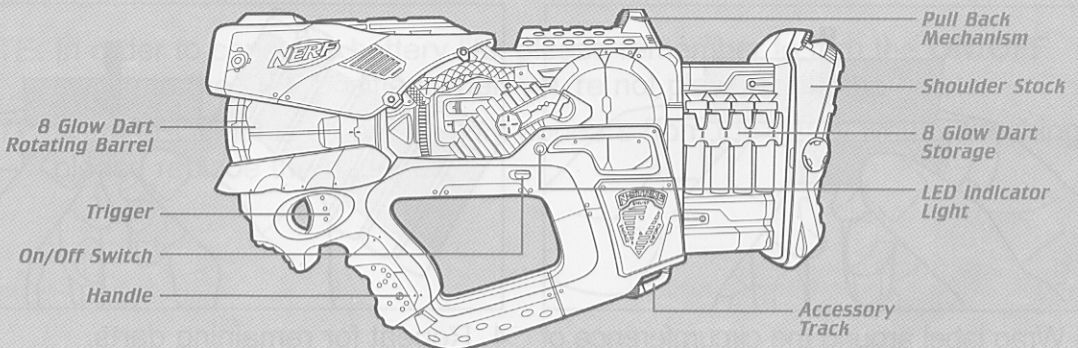
Requires 2 x 1.5V "AA" or LR6 size alkaline batteries (not included).
Phillips/cross head screwdriver (not included) needed to insert batteries.

⚠ CAUTION: Do not aim at eyes or face.

TO AVOID INJURY: Use only darts designed for this product.
Do not modify darts or dart blaster.

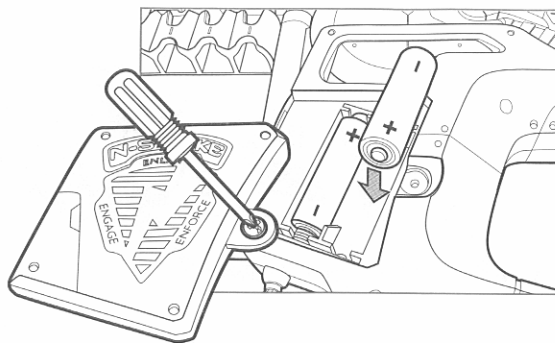
NOTE: Not for play in complete darkness. Know your surroundings and clear the area of obstructions before each use.

N-STRIKE FIREFLY REV-8™ BLASTER with 8 Glow Darts



TO INSERT BATTERIES:

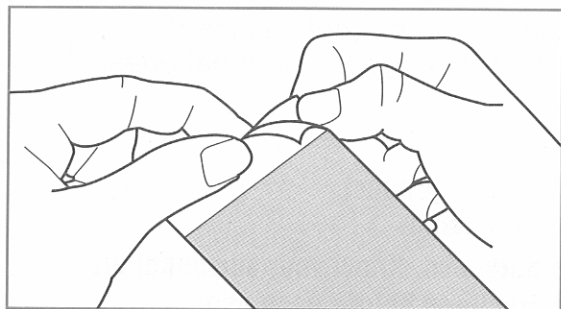
Use a Phillips/cross head screwdriver to loosen the screw in the battery compartment cover (screw stays attached to cover). Remove cover. Insert 2 x 1.5V "AA" or LR6 size alkaline batteries (not included). Replace cover and tighten screw.



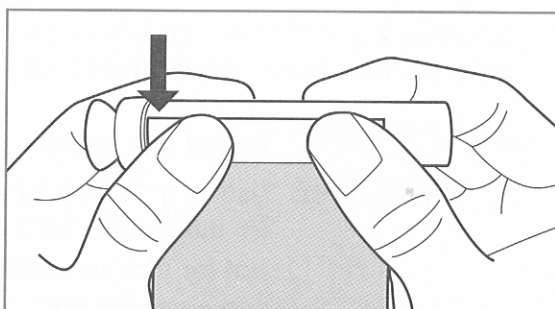
⚠ CAUTION: TO AVOID BATTERY LEAKAGE

1. Be sure to insert the batteries correctly and always follow the toy and battery manufacturers' instructions;
2. Do not mix old batteries and new batteries or alkaline, standard (carbon-zinc) or rechargeable (nickel-cadmium) batteries;
3. Always remove weak or dead batteries from the product.

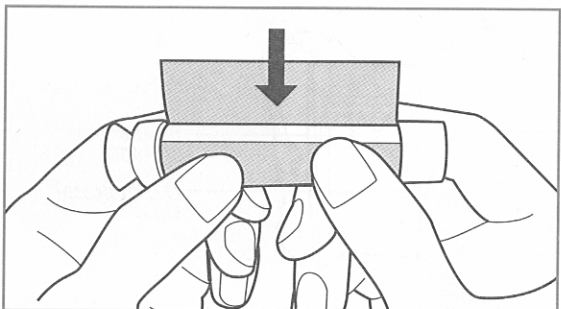
APPLYING LABELS TO GLOW DARTS



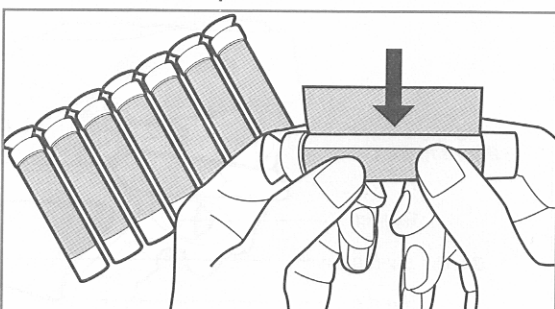
1. Remove a label from sheet.



2. Attach label near the tip of a dart. Place the unprinted end down first.

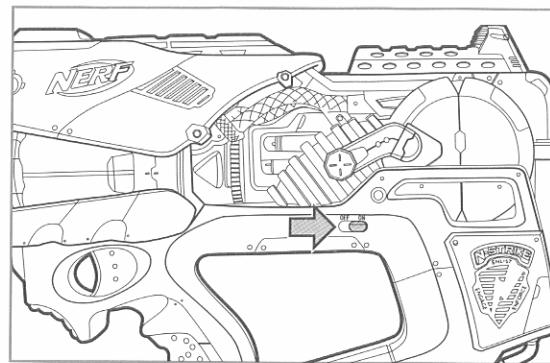


3. Wrap label around the circumference of the dart until it attaches back on itself.

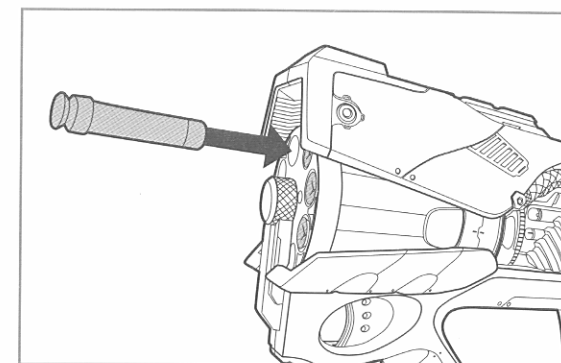


4. Repeat for remaining darts.

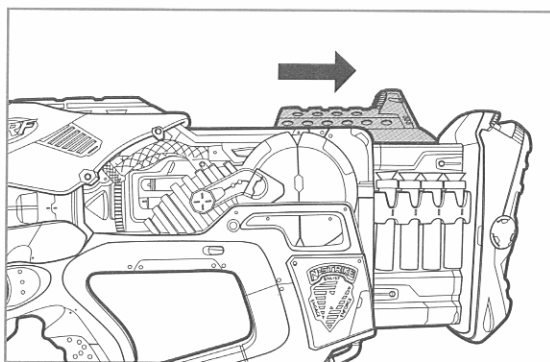
TO PLAY



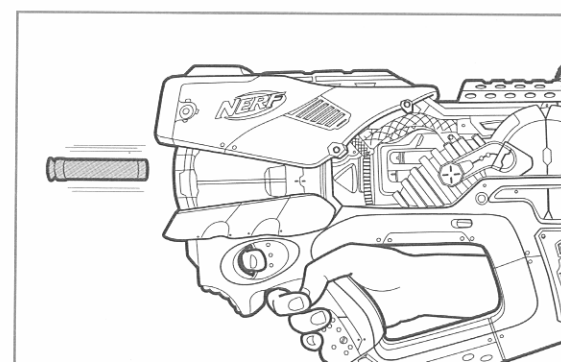
1. Turn On/Off Switch to "ON." LED should illuminate when switched to "ON" position.



2. Fully insert all 8 Glow Darts into the Barrel. (To load last Glow Dart rotate the barrel by pulling the trigger once. Always point blaster toward the ground when loading.)



3. Slide Pull Back Mechanism toward back of blaster.



4. Pull Trigger to launch one Glow Dart.
5. Repeat steps 3 and 4.

NOTE: In order to conserve battery life, please remember to turn the **ON/OFF** switch to the **OFF** position when you're not playing with the blaster.

NOTE: If the LED light is on but no light appears from the barrel when launching, please replace the batteries.

