

OVER 12 Months  
09392

**PLAYSKOOL**<sup>®</sup>



## Busy Go & Grow Giraffe™

Thank you for choosing this PLAYSKOOL toy!

**INCLUDES** giraffe body,  
front legs (2 pieces),  
back legs (2 pieces),  
2 (red plastic) connector  
plugs, 2 handles, 1 tail/back  
handle and 8 screws.

**ADULT ASSEMBLY  
REQUIRED.**

**Tool needed: Phillips/  
cross head screwdriver  
(not included).**

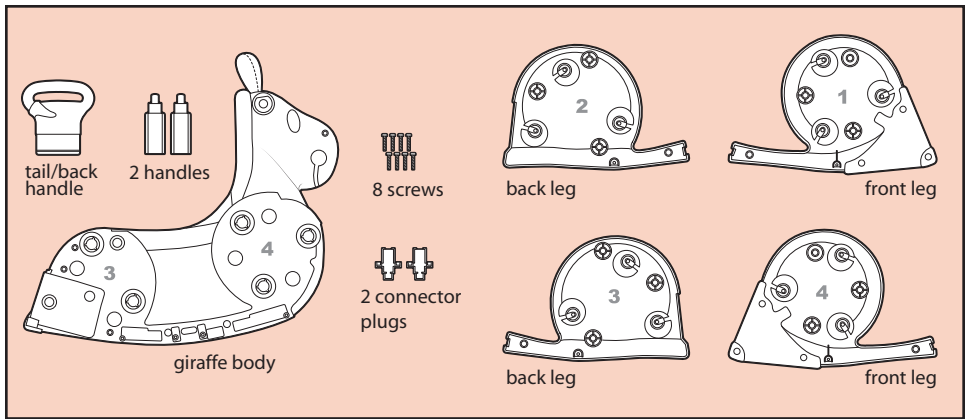


**MAXIMUM WEIGHT 42 LBS. (19 KGS.)**



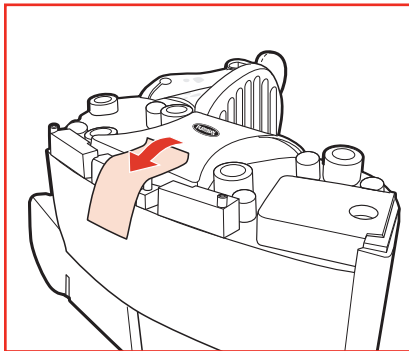
**CAUTION:**

This product contains small parts which are necessary for assembly. Prior to and during assembly of this product, keep small parts out of children's reach. Small parts pose a choke hazard to children under 3 years.

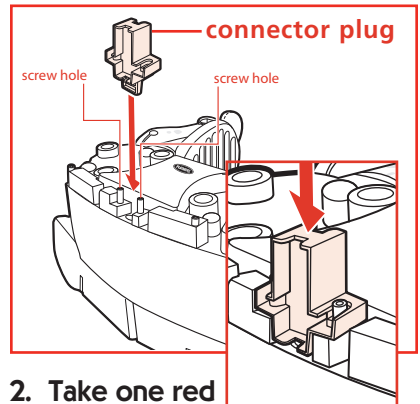


## ASSEMBLY

**PLEASE NOTE:** This is a one-time assembly.



1. Turn the giraffe body on its right side. Locate and remove the label that indicates where the connector plug should be inserted.



2. Take one red connector plug and insert it into the small oval slot on the giraffe as shown, making sure to align it with the circular screw holes. Press into place.

3. Take the front leg piece (marked "1") and align with the section marked "1" on the giraffe body.

Slide the leg piece over the side lip of the connector plug and firmly press into place on the area of the spots (you should hear audible snaps).

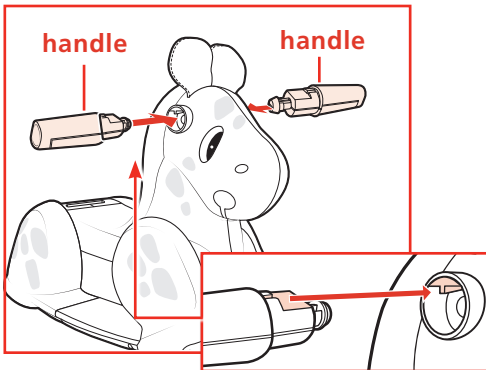
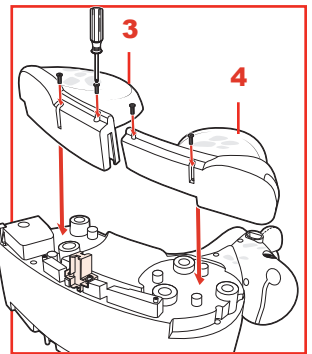
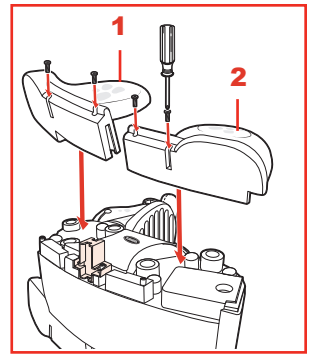
Affix 2 screws into place as shown

4. Take the back leg piece (marked "2") and align with the section marked "2" on the giraffe body.

Slide the leg piece over the side lip of the connector plug and firmly press into place on the area of the spots (you should hear audible snaps).

Affix 2 screws into place as shown.

5. Turn the giraffe body onto its left side. Remove label, install connector plug, and then repeat steps 3 and 4 on the left side with the front leg (marked "4") and the back leg (marked "3").



6. Align the notched part of one handle with the round opening on the giraffe head so that it interlocks as shown, and push into place. Repeat on the opposite side.



7. Take the tail/back handle and align so that the screws face the back of the giraffe head. Press down firmly until the tail/back handle snaps into place.

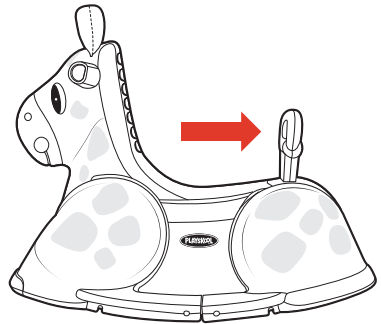
**BEFORE YOU PLAY:** Double check to make sure there are no gaps between the giraffe body and the giraffe legs. If there are any gaps, press again until you hear audible snaps.

## PLAY FEATURES

With the **BUSY GO & GROW GIRAFFE**, you and your baby have two ways to play together.

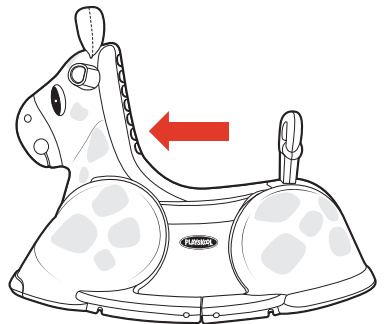
### Facing Backward

Position your baby so that she's facing backward and her legs straddle the tail/back handle. She's in the perfect position for you to tickle her toes and engage her in fun activities!



### Facing Forward

Position your baby so that she's facing forward, straddling the giraffe body with her feet resting on the base, and holding on to the handles. Gently rock her to get her into the rhythm. You'll both have fun as you encourage your little one to discover the sensation of rocking! The giraffe ears crinkle and squeak—adding more sensory stimulation for your baby.



© 2007 Hasbro.  
All Rights Reserved.  
TM & ® denote U.S. Trademarks.  
Patent Pending.  
09392 PN 6691320000

