

CENTRAL PNEUMATIC®

Air Hammer

Model 32940

Assembly and Operation Instructions



3491 Mission Oaks Blvd., Camarillo, CA 93011
Visit our Web site at <http://www.harborfreight.com>

**TO PREVENT SERIOUS INJURY,
READ AND UNDERSTAND ALL WARNINGS
AND INSTRUCTIONS BEFORE USE.**

Copyright© 2004 by Harbor Freight Tools®. All rights reserved. No portion of this manual or any artwork contained herein may be reproduced in any shape or form without the express written consent of Harbor Freight Tools.

For technical questions and replacement parts, please call 1-800-444-3353

Specifications

Air Inlet	1/4"-18 NPT
Maximum Operating Pressure	90 PSI
Blows Per Minute	4,500 BPM
Average Air Consumption	4 CFM
Weight	2-1/4 Lbs.
Accepts standard 10mm shank chisels.	

Save This Manual

You will need the manual for the safety warnings and precautions, assembly instructions, operating and maintenance procedures, parts list and diagram. Keep your invoice with this manual. Write the invoice number on the inside of the front cover. Keep the manual and invoice in a safe and dry place for future reference.

Safety Warnings and Precautions

WARNING: When using tools, basic safety precautions should always be followed to reduce the risk of personal injury and damage to equipment.

Read all instructions before using this product!

1. **Keep work area clean.** Cluttered areas invite injuries.
2. **Observe work area conditions.** Do not use machines or power tools in damp or wet locations. Don't expose to rain. Keep work area well lit. Do not use electrically powered tools in the presence of flammable gases or liquids.
3. **Keep children away.** Children must never be allowed in the work area. Do not let them handle machines, tools, extension cords, or air hoses.
4. **Store idle equipment.** When not in use, tools must be stored in a dry location to inhibit rust. Always lock up tools and keep out of reach of children.
5. **Use the right tool for the job.** Do not attempt to force a small tool or attachment to do the work of a larger industrial tool. There are certain applications for which this tool was designed. It will do the job better and more safely at the rate for which it was intended. Do not modify this tool and do not use this tool for a purpose for which it was not intended.
6. **Dress properly.** Do not wear loose clothing or jewelry as they can be caught in moving parts. Protective, electrically non-conductive clothes and non-skid footwear are recommended when working. Wear restrictive hair covering to contain long hair.
7. **Use eye and ear protection.** Always wear ANSI approved impact safety glasses under a full face shield while working. Wear an ANSI approved dust mask or respirator when working around metal, wood, and chemical dusts and mists.
8. **Do not overreach.** Keep proper footing and balance at all times. Do not reach over or across running machines or air hoses.

9. **Maintain tools with care.** Keep tools clean for better and safer performance. Follow instructions for lubricating and changing accessories. Inspect tool cords and air hoses periodically and, if damaged, have them repaired by an authorized technician. The handles must be kept clean, dry, and free from oil and grease at all times.
10. **Disconnect air supply.** Disconnect air hose when not in use.
11. **Remove adjusting keys and wrenches.** Check that keys and adjusting wrenches are removed from the tool or machine work surface before connecting the tool.
12. **Avoid unintentional starting.** Be sure the trigger is released when not in use and before connecting to the air source. Do not carry any tool with your finger on the trigger, whether it is connected or not.
13. **Stay alert.** Watch what you are doing, use common sense. Do not operate any tool when you are tired.
14. **Check for damaged parts.** Before using any tool, any part that appears damaged should be carefully checked to determine that it will operate properly and perform its intended function. Check for alignment and binding of moving parts; any broken parts or mounting fixtures; and any other condition that may affect proper operation. Any part that is damaged should be properly repaired or replaced by a qualified technician. Do not use the tool if the trigger does not operate properly.
15. **Guard against electric shock.** Prevent body contact with grounded surfaces such as pipes, radiators, ranges, and refrigerator enclosures.
16. **Replacement parts and accessories.** When servicing, use only identical replacement parts. Use of any other parts will void the warranty. Only use accessories intended for use with this tool. Approved accessories are available from Harbor Freight Tools.
17. **Industrial applications must follow OSHA guidelines.**
18. **Do not operate tool if under the influence of alcohol or drugs.** Read warning labels if taking prescription medicine to determine if your judgement or reflexes are impaired while taking drugs. If there is any doubt, do not operate the tool.
19. **Use proper size and type extension cord.** If an extension cord is required, it must be of the proper size and type to supply the correct current to the compressor without heating up. Otherwise, the extension cord could melt and catch fire, or cause electrical damage to the compressor. Check your air compressor's manual for the appropriate size cord.
20. **Maintenance.** For your safety, maintenance should be performed regularly by a qualified technician.
21. **Compressed air only.** Never use combustible gas as a power source.
22. **Use both hands.** The force generated from this tool can cause it to break free of your grasp, causing serious injury and damage. Always operate this tool with both hands.

Note: Performance of the compressor (if powered by line voltage) may vary depending on variations in local line voltage. Extension cord usage may also affect tool performance.

Warning: The warnings, cautions, and instructions discussed in this instruction manual cannot cover all possible conditions and situations that may occur. It must be under-

stood by the operator that common sense and caution are factors which cannot be built into this product, but must be supplied by the operator.

WARNING: Some dust created by power sanding, sawing, grinding, drilling, and other construction activities, contain chemicals known [to the State of California] to cause cancer, birth defects or other reproductive harm. Some examples of these chemicals are:

- Lead from lead-based paints
- Crystalline silica from bricks and cement or other masonry products
- Arsenic and chromium from chemically treated lumber

Your risk from these exposures varies, depending on how often you do this type of work. To reduce your exposure to these chemicals: work in a well ventilated area, and work with approved safety equipment, such as those dust masks that are specially designed to filter out microscopic particles.

(California Health & Safety Code 25249.5, *et seq.*)

Air Hammer Specific Safety Warnings.

1. Repetitive motions or exposure to vibration may be harmful to your hands and arms.
2. When wearing gloves to operate the Air Hammer, make sure that the gloves do not interfere with operating the Trigger (16). Test your gloves with the Trigger (16) before attaching the unit to an air source.
3. Never start the tool unless you have a firm grip with both hands and you are positioned at your workpiece or area.
4. Before using the Air Hammer, know what is directly underneath the work area or workpiece. The Air Hammer can quickly penetrate material. If working directly on the ground, make sure you are not directly above shallow cables, lines, or pipes.
5. Keep your limbs and body clear of the Air Hammer. If a chisel or bit breaks off, the tool tends to surge forward suddenly. Make sure the immediate area is clear of other people or animals. Spectators must stay at a safe distance.
6. Never point the tool or the air hose (not included) at anyone.
7. Keep your finger away from the Trigger (16) until you are ready to work.

Warning!! Any spectators in the area will need eye and ear protection.

Beware of flying chips of wood, concrete, metal, or any other material being hammered.

Unpacking

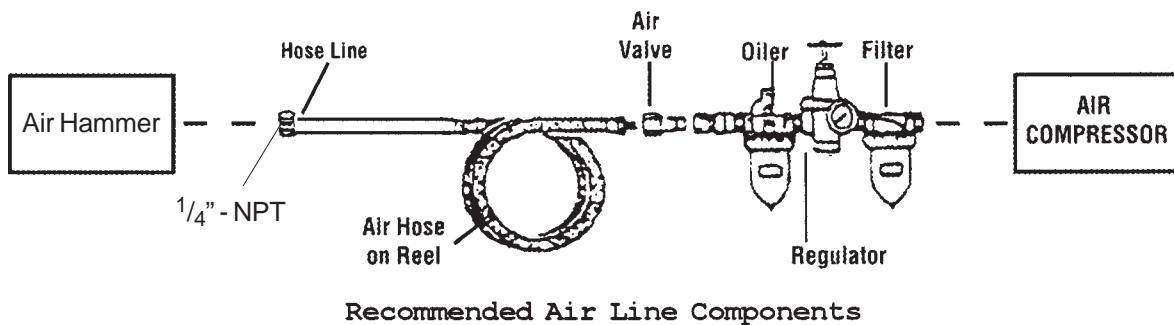
When unpacking, check to make sure all of the parts listed on page 7, Five Chisels, and a Quick-disconnect Coupler Plug are included. If any parts are missing or broken, please call Harbor Freight Tools at the number on the cover of this manual as soon as possible.

Assembly / Installation

1. You will need to prepare the $\frac{1}{4}$ " Quick-disconnect Coupler Plug to connect to the air inlet on the Air Hammer. Wrap the Coupler Plug with pipe thread seal tape before threading it into the Air Inlet (9). Connect the a Quick-Disconnect coupler on a $\frac{3}{8}$ " ID Air Source Hose to the tool.

Note: If you are not using an automatic oiler system, before operation, add a few drops of Pneumatic Tool Oil to the airline connection. Add a few drops more after each hour of continual use.

2. Set the air pressure on your compressor to 90 PSI. Do not exceed the recommended air pressure of 90 PSI.
3. Check the air connection for leaks. Once you are satisfied there are no leaks, turn off the air compressor and disconnect the tool.

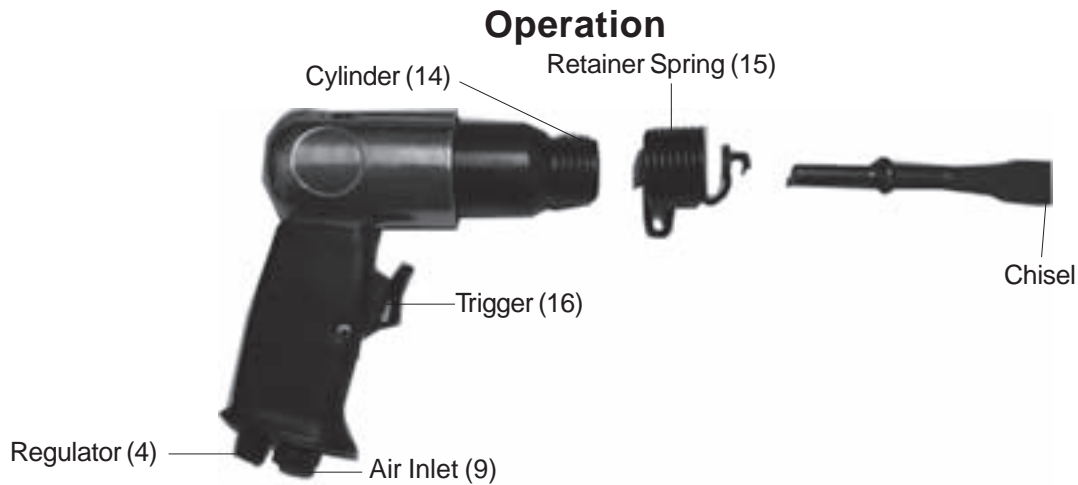


For best service you should incorporate an oiler, regulator, and inline filter, as shown in the diagram above. Hoses, couplers, oilers, regulators, and filters are all available at Harbor Freight Tools.

NOTE: The information in the box below refers to the **Assembly Diagram and Parts List** on page 7.

PLEASE READ THE FOLLOWING CAREFULLY

THE MANUFACTURER AND/OR DISTRIBUTOR HAS PROVIDED THE PARTS DIAGRAM IN THIS MANUAL AS A REFERENCE TOOL ONLY. NEITHER THE MANUFACTURER NOR DISTRIBUTOR MAKES ANY REPRESENTATION OR WARRANTY OF ANY KIND TO THE BUYER THAT HE OR SHE IS QUALIFIED TO MAKE ANY REPAIRS TO THE PRODUCT OR THAT HE OR SHE IS QUALIFIED TO REPLACE ANY PARTS OF THE PRODUCT. IN FACT, THE MANUFACTURER AND/OR DISTRIBUTOR EXPRESSLY STATES THAT ALL REPAIRS AND PARTS REPLACEMENTS SHOULD BE UNDERTAKEN BY CERTIFIED AND LICENSED TECHNICIANS AND NOT BY THE BUYER. THE BUYER ASSUMES ALL RISK AND LIABILITY ARISING OUT OF HIS OR HER REPAIRS TO THE ORIGINAL PRODUCT OR REPLACEMENT PARTS THERETO, OR ARISING OUT OF HIS OR HER INSTALLATION OF REPLACEMENT PARTS THERETO.



Examine your chisels/bits before using them. If a chisel is dull or cracked do not use it. Replace worn or broken chisels with approved replacement chisels/bits from Harbor Freight Tools.

Warning!! Always disconnect the tool from the air source before examining or changing bits.

1. Select the appropriate chisel/bit. Unscrew the Retainer Spring (15) and insert the shank of the chisel/bit. Screw the Retainer Spring (15) back onto the Cylinder (14). Holding the Air Chisel firmly, pull the chisel/bit hard to make sure it locked into place.

Note: Before connecting the air supply, make sure you are wearing safety goggles and a full face mask, ear protection, and steel toe shoes.

Warning!! Any spectators in the immediate area will need eye and ear protection.

Beware of flying chips of wood, concrete, metal, or any other material being chiseled.

2. Connect the air hose to the Air Inlet (9) and turn on the compressor (not included).
3. Grip the Air Hammer with both hands firmly and put the chisel/bit tip up against the workpiece you wish to chip.
4. Gently squeeze the Trigger (16) and move slowly along the workpiece. Do not push down on the Air Hammer; let it do the work. If it does not do the intended job to satisfaction, examine your bit to see if it is worn or dull.

Warning!! Always disconnect from the air source before examining or changing bits.

5. When you are finished, turn off the air supply and then hold the Air Hammer in a safe direction and Squeeze the trigger to bleed off the remaining air. Then, disconnect the air hose.

Maintenance

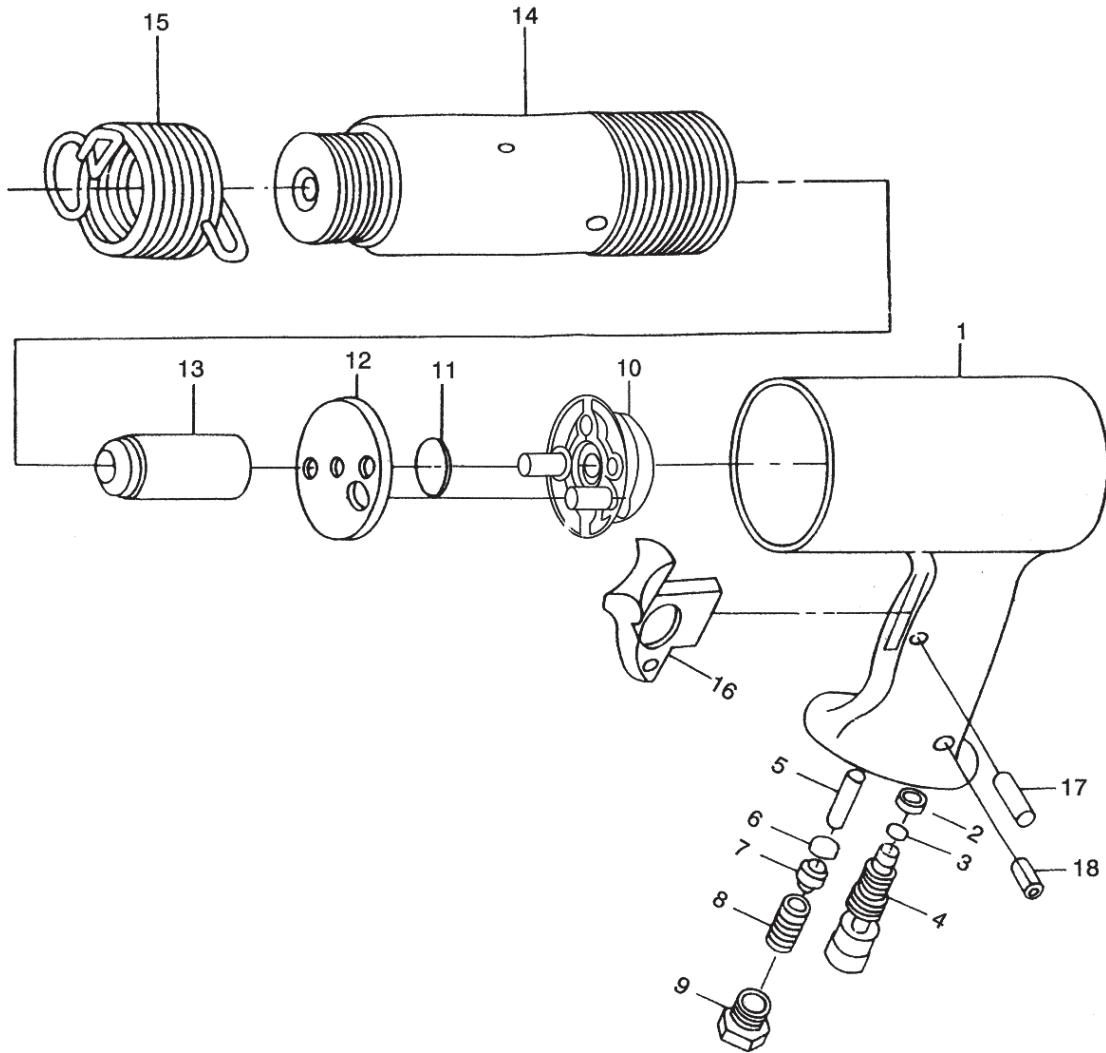
Warning!! Always disconnect from the air source before attempting maintenance.

1. After each use, wipe the Air Hammer down with a lint free cloth.
2. Make sure there are no concrete chips, dirt, or debris in the Retainer Spring (15).
3. Before storage, add a small quantity of high quality pneumatic oil in the Air Inlet (9) and operate the tool for a couple of seconds to lubricate and protect the internal mechanism.

Maintenance (Continued)

4. Examine your chisels/bits before using them. If a chisel is dull or cracked do not use it. Replace worn or broken chisels with approved replacement chisels from Harbor Freight Tools.

Assembly Diagram



Parts List

Part	Description	Qty.	Part	Description	Qty.
1	Body	1	10	Rear Valve	1
2	Rubber Gasket	1	11	Valve Disk	1
3	O-Ring	2	12	Front Valve	1
4	Regulator	1	13	Piston	1
5	Control Pin	1	14	Cylinder	1
6	O-Ring	1	15	Retainer Spring	1
7	Ball	1	16	Trigger	1
8	Spring	1	17	Pin	1
9	Air Inlet	1	18	Pin	1

NOTE: Some parts are listed and shown for illustration purposes only and are not available individually as replacement parts.