

HAUL-MASTER™



BIG FOOT WAGON

Model 1541

SET UP AND OPERATING INSTRUCTIONS



Diagrams within this manual may not be drawn proportionally.

Due to continuing improvements, actual product may differ slightly from the product described herein.

Distributed exclusively by Harbor Freight Tools®.

3491 Mission Oaks Blvd., Camarillo, CA 93011

Visit our website at: <http://www.harborfreight.com>



**Read this material before using this product.
Failure to do so can result in serious injury.
SAVE THIS MANUAL.**

Copyright© 2007 by Harbor Freight Tools®. All rights reserved. No portion of this manual or any artwork contained herein may be reproduced in any shape or form without the express written consent of Harbor Freight Tools.

For technical questions or replacement parts, please call 1-800-444-3353.

SAVE THIS MANUAL

Keep this manual for the safety warnings and precautions, assembly, operating, inspection, maintenance and cleaning procedures. Write the product's serial number in the back of the manual near the assembly diagram (or month and year of purchase if product has no number). Keep this manual and the receipt in a safe and dry place for future reference.

GENERAL SAFETY RULES



WARNING! Read all instructions

Failure to follow all instructions listed below may result in serious injury.

1. Keep work area clean and well lit. Cluttered or dark areas invite accidents.
2. Stay alert, watch what you are doing and use common sense when operating a Wagon. Do not use a Wagon while you are tired or under the influence of drugs, alcohol or medication. A moment of inattention while operating Wagons may result in serious personal injury.
3. Use safety equipment. Always wear eye protection and heavy-duty work gloves during assembly.
4. Do not overreach. Keep proper footing and balance at all times. This enables better control of the Wagon in unexpected situations.
5. Dress properly. Do not wear loose clothing or jewelry. Keep your hair, clothing and gloves away from moving parts. Loose clothes, jewelry or long hair can be caught in moving parts.
6. Maintain the Wagon. Check for misalignment or binding of moving parts, breakage of parts and any other condition that may affect the Wagon's operation. If damaged, have the Wagon repaired before use.
7. **Use only with adult supervision.** The Wagon is intended for use by people 5 years and older.
8. Only one person should ride in the wagon at a time.
9. Riders must keep hands and feet inside of the Wagon at all times.
10. Do not use the Wagon on rough terrain where it could tip over.
11. Do not stand on the Wagon.
12. Pull the Wagon by hand only. Do not tow behind a vehicle.
13. Do not use the wagon on a steep hill or in the street.
14. Do not exceed the maximum weight capacity of 300 pounds.
15. **Be aware of dynamic loading!** Dropping or bouncing load may briefly create excess load causing product failure.

16. **An approved safety helmet must be worn at all times.**
17. Maintain labels and nameplates on the Wagon. These carry important safety data. If unreadable or missing, contact Harbor Freight Tools for a replacement.
18. Keep hands and feet clear of the tires.
19. **WARNING:** The brass components of this product contain lead, a chemical known to the State of California to cause birth defects (or other reproductive harm). (California Health & Safety code § 25249.5, *et seq.*)
20. The warnings, precautions, and instructions discussed in this instruction manual cannot cover all possible conditions and situations that may occur. It must be understood by the operator that common sense and caution are factors which cannot be built into this product, but must be supplied by the operator.



SAVE THESE INSTRUCTIONS.

SPECIFICATIONS

Maximum Weight Capacity	300 Pounds
Tire Inflation	30 PSI

UNPACKING

When unpacking, check to make sure that the item is intact and undamaged. If any parts are missing or broken, please call Harbor Freight Tools at the number shown on the cover of this manual as soon as possible.

ASSEMBLING INSTRUCTIONS



Read the **ENTIRE IMPORTANT SAFETY INFORMATION** section at the beginning of this manual including all text under subheadings therein before set up or use of this product.

- Note:** For additional information regarding the parts listed in the following pages, refer to the Assembly Diagram near the end of this manual.
1. With the Bed (A) upside down, attach the Rear Axle Assembly (E) to the Bed using Bolts (1), Washers (5), Spring Washers (6) and Nuts (4). The bolts should be facing down, with the washers and nuts connected on the bottom of the Wagon.
 2. Slide each of the Rear Axle Braces (F) over the end of each Rear Axle until they sit firmly to the inside of the Rear Axle Assembly. Line up the end of the Braces with the holes in the wagon. Using two Bolts (1), insert the bolts from the top of the wagon so that the Washers (5), Spring Washers (6) and the Nut (4) are secured on the underside of the wagon.

3. Attach the Steering Assembly (G) to the Turntable (D) using a Bolt (3), Flat Washer (10), Spring Washer (9), and Nut (8). Slide the Bolt through the underside of the Steering Assembly (B) and into the Turntable. Secure it from inside the Turntable with the hardware. Loosely thread the Nut onto the Bolt. Insert the Cotter Pin through the hole and spread it open.
4. Attach both parts to the Bed. Insert four Bolts (1) from the top of the wagon down and tighten in place on the bottom of the Bed with four Washers (10), Lock Washers (9) and Nuts (8).
5. Slide each of the four Wheels (C) onto an axle with the Air Valve facing out. Slide a 1-1/4" Washer (11) onto each axle on the inside the Wheel, and attach the Cotter Pin to the outside of the Wheel. Spread the cotter pin out to secure the Wheel.
6. Attach each of the four Axle Caps (13) to the Axles.
7. Insert the lower part of the Handle (B) into the Steering Assembly. Slide the Bolt (2) into the Assembly and through the Handle so that it exits the other side of the Assembly. Tighten the Bolt into place with a Washer and the Nut Cap (7).
8. Turn the Wagon upright and roll it around, turning the handle to assure smooth and efficient operation.

OPERATING INSTRUCTIONS



Read the **ENTIRE IMPORTANT SAFETY INFORMATION** section at the beginning of this manual including all text under subheadings therein before set up or use of this product.

1. Turning the Handle will turn the front wheels on the wagon. The Handle can be raised for steering from inside the wagon, or lowered so that the wagon can be pulled.
2. Always park the Wagon on a flat, level surface.

MAINTENANCE AND SERVICING



Damaged equipment can fail, causing serious personal injury. Do not use damaged equipment. If abnormal noise or vibration occurs, have the problem corrected before further use.

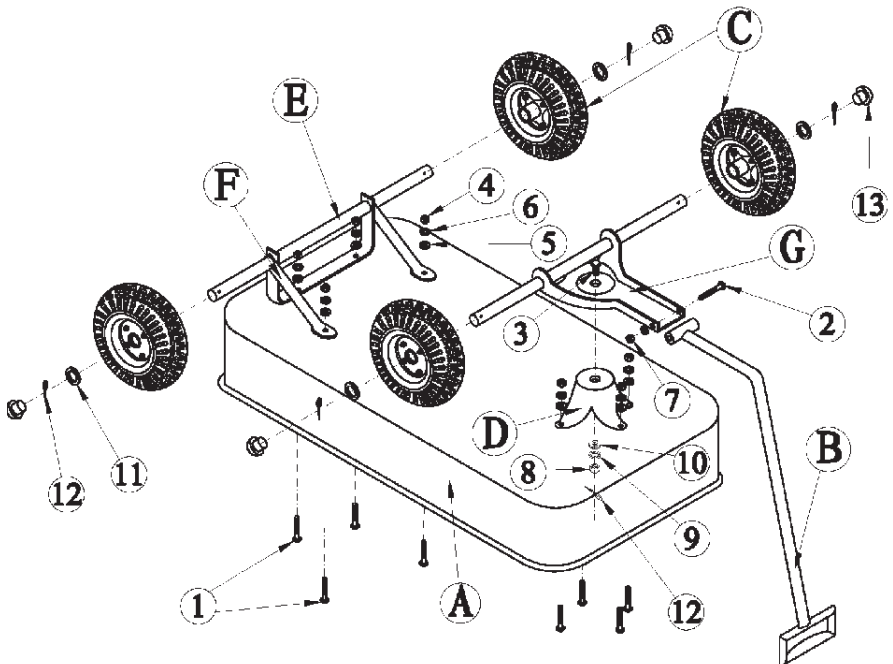
1. **BEFORE EACH USE**, inspect the general condition of the Wagon. Check for loose screws, misalignment or binding of moving parts, cracked or broken parts and any other condition that may affect its safe operation.
2. Check the air pressure for the tires before each use and inflate as necessary. Do not exceed the maximum 30 PSI. Oil the wheels periodically.
3. **AFTER USE**, clean external surfaces of the tool with clean, moist cloth.

PLEASE READ THE FOLLOWING CAREFULLY

THE MANUFACTURER AND/OR DISTRIBUTOR HAS PROVIDED THE PARTS LIST AND ASSEMBLY DIAGRAM IN THIS MANUAL AS A REFERENCE TOOL ONLY. NEITHER THE MANUFACTURER OR DISTRIBUTOR MAKES ANY REPRESENTATION OR WARRANTY OF ANY KIND TO THE BUYER THAT HE OR SHE IS QUALIFIED TO MAKE ANY REPAIRS TO THE PRODUCT, OR THAT HE OR SHE IS QUALIFIED TO REPLACE ANY PARTS OF THE PRODUCT. IN FACT, THE MANUFACTURER AND/OR DISTRIBUTOR EXPRESSLY STATES THAT ALL REPAIRS AND PARTS REPLACEMENTS SHOULD BE UNDERTAKEN BY CERTIFIED AND LICENSED TECHNICIANS, AND NOT BY THE BUYER. THE BUYER ASSUMES ALL RISK AND LIABILITY ARISING OUT OF HIS OR HER REPAIRS TO THE ORIGINAL PRODUCT OR REPLACEMENT PARTS THERETO, OR ARISING OUT OF HIS OR HER INSTALLATION OF REPLACEMENT PARTS THERETO.

PARTS LIST & ASSEMBLY DIAGRAM

Part	Description	Qty	Part	Description	Qty	Part	Description	Qty
A	Bed	1	1	Bolt M6x20	8	8	Nut M10	1
B	Handle	1	2	Bolt M6x70	1	9	Spring Washer Φ 10	1
C	Wheels	4	3	Bolt M10	1	10	Flat Washer Φ 10	1
D	Turntable	1	4	Nut M6	8	11	Large Flat Washer	4
E	Rear Axle Assembly	1	5	Flat Washer Φ 6	9	12	Φ 3.2 Cotter Pin	5
F	Rear Axle Braces	2	6	Spring Washer Φ 6	8	13	Φ 14 Axle Cap	4
G	Steering Assembly	1	7	Lock Nut M6	1			



LIMITED 90 DAY WARRANTY

Harbor Freight Tools Co. makes every effort to assure that its products meet high quality and durability standards, and warrants to the original purchaser that this product is free from defects in materials and workmanship for the period of 90 days from the date of purchase. This warranty does not apply to damage due directly or indirectly, to misuse, abuse, negligence or accidents, repairs or alterations outside our facilities, criminal activity, improper installation, normal wear and tear, or to lack of maintenance. We shall in no event be liable for death, injuries to persons or property, or for incidental, contingent, special or consequential damages arising from the use of our product. Some states do not allow the exclusion or limitation of incidental or consequential damages, so the above limitation of exclusion may not apply to you. THIS WARRANTY IS EXPRESSLY IN LIEU OF ALL OTHER WARRANTIES, EXPRESS OR IMPLIED, INCLUDING THE WARRANTIES OF MERCHANTABILITY AND FITNESS.

To take advantage of this warranty, the product or part must be returned to us with transportation charges prepaid. Proof of purchase date and an explanation of the complaint must accompany the merchandise. If our inspection verifies the defect, we will either repair or replace the product at our election or we may elect to refund the purchase price if we cannot readily and quickly provide you with a replacement. We will return repaired products at our expense, but if we determine there is no defect, or that the defect resulted from causes not within the scope of our warranty, then you must bear the cost of returning the product.

This warranty gives you specific legal rights and you may also have other rights which vary from state to state.

3491 Mission Oaks Blvd. • PO Box 6009 • Camarillo, CA 93011 • (800) 444-3353