

CENTRALPNEUMATIC®

3-IN-1 AIR FRAMING NAILER

Model 98751

SET UP AND OPERATING INSTRUCTIONS



Visit our website at: <http://www.harborfreight.com>



**Read this material before using this product.
Failure to do so can result in serious injury.
SAVE THIS MANUAL.**

Copyright© 2008 by Harbor Freight Tools®. All rights reserved. No portion of this manual or any artwork contained herein may be reproduced in any shape or form without the express written consent of Harbor Freight Tools. Diagrams within this manual may not be drawn proportionally. Due to continuing improvements, actual product may differ slightly from the product described herein. Tools required for assembly and service may not be included.

For technical questions or replacement parts, please call 1-800-444-3353.

Revised Manual 11a

SAVE THIS MANUAL

Keep this manual for the safety warnings and precautions, assembly, operating, inspection, maintenance and cleaning procedures. Write the product's serial number in the back of the manual near the assembly diagram (or month and year of purchase if product has no number). Keep this manual and the receipt in a safe and dry place for future reference.

Safety Alert Symbol and Signal Words

In this manual, on the labeling, and all other information provided with this product:



This is the safety alert symbol. It is used to alert you to potential personal injury hazards. Obey all safety messages that follow this symbol to avoid possible injury or death.

⚠ DANGER

DANGER indicates a hazardous

situation which, if not avoided, will result in death or serious injury.

⚠ WARNING

WARNING indicates a

hazardous situation which, if not avoided, could result in death or serious injury.

⚠ CAUTION

CAUTION, used with the safety

alert symbol, indicates a hazardous situation which, if not avoided, could result in minor or moderate injury.

NOTICE

NOTICE is used to address practices not related to personal injury.

CAUTION

CAUTION, without the safety alert symbol, is used to address practices not related to personal injury.

Important Safety Information

INSTRUCTIONS PERTAINING TO A RISK OF FIRE, ELECTRIC SHOCK, OR INJURY TO PERSONS



WARNING – When using tools, basic precautions should always be followed, including the following:

General


- a. To reduce the risks of electric shock, fire, and injury to persons, read all the instructions before using the tool.

Work area


- a. Keep the work area clean and well lighted. Cluttered benches and dark areas increase the risks of electric shock, fire, and injury to persons.
- b. Do not operate the tool in explosive atmospheres, such as in the presence of flammable liquids, gases, or dust. The tool is able to create sparks resulting in the ignition of the dust or fumes.
- c. *Keep bystanders, children, and visitors away while operating the*

tool. Distractions are able to result in the loss of control of the tool.


Personal safety

- a. **Stay alert. Watch what you are doing and use common sense when operating the tool. Do not use the tool while tired or under the influence of drugs, alcohol, or medication.** A moment of inattention while operating the tool increases the risk of injury to persons.
- b. **Dress properly. Do not wear loose clothing or jewelry. Contain long hair. Keep hair, clothing, and gloves away from moving parts.** Loose clothes, jewelry, or long hair increases the risk of injury to persons as a result of being caught in moving parts.
- c. **Avoid unintentional starting. Be sure the switch is off before connecting to the air supply.** Do not carry the tool with your finger on the switch or connect the tool to the air supply with the switch on.
- d. **Remove adjusting keys and wrenches before turning the tool on.** A wrench or a key that is left attached to a rotating part of the tool increases the risk of personal injury.
- e. **Do not overreach. Keep proper footing and balance at all times.** Proper footing and balance enables better control of the tool in unexpected situations.
- f.  **Use safety equipment.** A dust mask, non-skid safety shoes and a hard hat must be used for the applicable conditions. Wear heavy-duty work

gloves during use. Wear a full face shield if you are producing metal filings or wood chips.

- g.  **Always wear eye protection.** Wear ANSI-approved safety goggles with side shields during use.
- h.  **Always wear hearing protection when using the tool.** Prolonged exposure to high intensity noise is able to cause hearing loss.

Tool use and care


- a.  **Avoid unintentional misfires. Be sure Trigger (59) is in the OFF position when not in use and before plugging in.** Do not carry any tool with your finger on the Trigger, whether it is attached to an air source or not. Do not point tool towards yourself or anyone whether it contains nails or not.
- b. **Do not load nails with Trigger or safety depressed.** Unintentional firing may occur. Always assume Nailer contains fasteners.
- c. **Do not load fasteners when Nailer is connected to air hose.** Always assume tool contains fasteners. Unintentional firing may occur.
- d. **Properly adjust Nailer angle to match corresponding fasteners before inserting nail strip.** Failure to do so can cause Nailer to jam and lead to personal and/or property damage.
- e. **Fire nails into an appropriate work surface only.** Do not attempt to fire

- cleat nails or staples into surfaces too hard to penetrate. Do not drive cleat nails or staples on top of other cleat nails or staples, or at too steep an angle. Cleat nails and staples can ricochet, causing personal injury. Never fire this tool into the air or point it toward yourself or another person.
- f. **Hold tool away from head and body during use.** Tool may kick back, causing injury.
 - g. **Do not fire fasteners too close to edge of workpiece.** They may split the workpiece and fly free, causing personal injury.
 - h. **Carry tool safely.** Carry tool by handle.
 - i. **Use clamps or another practical way to secure and support the workpiece to a stable platform.** Holding the work by hand or against the body is unstable and is able to lead to loss of control.
 - j. **Do not force the tool.** Use correct tool for application. The correct tool will do the job better and safer at the rate for which the tool is designed.
 - k. **Disconnect the tool from the air source before making any adjustments, changing accessories, or storing the tool.** Such preventive safety measures reduce the risk of starting the tool unintentionally. Turn off and detach the air supply and safely discharge any residual air pressure before leaving the work area.
 - l. **Store the tool when it is idle out of reach of children and other untrained persons.** A tool is dangerous in the hands of untrained users.
 - m. **Maintain the tool with care.** Keep tool clean. A properly maintained tool, reduces the risk of binding and is easier to control.
 - n. **Check for misalignment or binding of moving parts, breakage of parts, and any other condition that affects the tool's operation.** If damaged, have the tool serviced before using. Many accidents are caused by poorly maintained tools. There is a risk of bursting if the tool is damaged.
 - o. **Use only accessories that are identified by the manufacturer for the specific tool model.** Use of an accessory not intended for use with the specific tool model, increases the risk of injury to persons.

Service

- a. **Tool service must be performed only by qualified repair personnel.**
- b. **When servicing a tool, use only identical replacement parts. Use only authorized parts.**
- c. **Use only the lubricants supplied with the tool or specified by the manufacturer.**

Air source

- a.  **Never connect to an air source that is capable of exceeding 120 PSI.** Over pressurizing the tool may cause bursting, abnormal operation, breakage of the tool or serious injury to persons. Use only clean, dry, regulated compressed air at the rated pressure or within the rated pressure range as marked on the tool (**70 to 120 PSI**). Always verify prior to using

the tool that the air source has been adjusted to the rated air pressure or within the rated air-pressure range.

- b. **Never use oxygen, carbon dioxide, combustible gases or any bottled gas as an air source for the tool.** Such gases are capable of explosion and serious injury to persons.

 **SAVE THESE INSTRUCTIONS.**

SYMBOLS AND SPECIFIC SAFETY INSTRUCTIONS

Symbol Definitions





Symbol	Property or statement
n_o	No-load speed
.../min	Revolutions or reciprocation per minute
PSI	Pounds per square inch of pressure
ft-lb	Foot-pounds of torque
BPM	Blows per minute
CFM	Cubic Feet per Minute flow
SCFM	Cubic Feet per Minute flow at standard conditions
NPT	National pipe thread, tapered
NPS	National pipe thread, straight
	WARNING marking concerning Risk of Eye Injury. Wear ANSI-approved eye protection.

Chart continued in next column.

Symbol Definitions

Symbol	Property or statement
	WARNING marking concerning Risk of Hearing Loss. Wear hearing protection.
	WARNING marking concerning Risk of Respiratory Injury. Wear NIOSH-approved dust mask/respirator.
	WARNING marking concerning Risk of Explosion.

Specific Safety Instructions

- The warnings and precautions discussed in this manual cannot cover all possible conditions and situations that may occur. It must be understood by the operator that common sense and caution are factors which cannot be built into this product, but must be supplied by the operator.
- WARNING:** Some dust created by power sanding, sawing, grinding, drilling, and other construction activities, contains chemicals known [to the State of California] to cause cancer, birth defects or other reproductive harm. Some examples of these chemicals are:
 - Lead from lead-based paints
 - Crystalline silica from bricks and cement or other masonry products
 - Arsenic and chromium from chemically treated lumber
 Your risk from these exposures varies, depending on how often you do this type of work. To reduce your exposure to these chemicals: work in a well ventilated area, and work with approved safety equipment, such as those dust masks that are specially designed to filter out microscopic

particles. (California Health & Safety Code § 25249.5, *et seq.*)

3. Take caution, as some woods contain preservatives such as copper chromium arsenate (CCA) which can be toxic. When nailing these materials, extra care should be taken to avoid inhalation and minimize skin contact.
4. **WARNING:** The brass components of this product contain lead, a chemical known to the State of California to cause birth defects (or other reproductive harm). (California Health & Safety code § 25249.5, *et seq.*)
5. Only use with accessories rated to handle forces exerted by tool during operation. Other accessories not designed for the forces generated may break and forcefully launch pieces.
6. Attach all accessories properly to the tool before connecting the air supply. A loose accessory may detach or break during operation.
7. Obey the manual for the air compressor used to power this tool.
8. Install in-line shutoff valve to allow immediate control over air supply in emergency, even if hose is ruptured.
9. Do not lay tool down until it has completely stopped. Moving parts can grab surface and lead to control loss.

Vibration Precautions

This tool vibrates during use. Repeated or long-term exposure to vibration may cause temporary or permanent physical injury, particularly to the hands, arms and shoulders. To reduce the risk of vibration-related injury:

1. Anyone using vibrating tools regularly or for an extended period should first be examined by a doctor and then have regular medical check-ups to ensure medical problems are not being caused or worsened from use. Pregnant women or people who have impaired blood circulation to the hand, past hand injuries, nervous system disorders, diabetes, or Raynaud's Disease should not use this tool. If you feel any medical or physical symptoms related to vibration (such as tingling, numbness, and white or blue fingers), seek medical advice as soon as possible.
2. Do not smoke during use. Nicotine reduces the blood supply to the hands and fingers, increasing the risk of vibration-related injury.
3. Wear suitable gloves to reduce the vibration effects on the user.
4. Use tools with the lowest vibration when there is a choice between different processes.
5. Include vibration-free periods each day of work.
6. Grip tool as lightly as possible (while still keeping safe control of it). Let the tool do the work.
7. To reduce vibration, maintain tool as explained in this manual. If abnormal vibration occurs, stop immediately.



**SAVE THESE
INSTRUCTIONS.**

Functional Description

Specifications

Air Pressure Range	70-120 PSI
Maximum Air Pressure	120 PSI
Air Inlet	1/4" -18 NPT
Nail Type / Length	.113"-.131" Shank Clipped or Full Head Nails 2" to 3-1/2" Length
Magazine Capacity	21° - 60 Nails 28°/34° - 100 Nails
Air Consumption	3 CFM @ 90 PSI
Hose	3/8"
Safety Trigger	Full Sequential Actuation

Initial Tool Set Up / Assembly



Read the **ENTIRE IMPORTANT SAFETY INFORMATION** section at the beginning of this manual including all text under subheadings therein before set up or use of this product.

Note: For additional information regarding the parts listed in the following pages, refer to the Assembly Diagram near the end of this manual.

Unpacking

When unpacking, check to make sure that the item is intact and undamaged. If any parts are missing or broken, please call Harbor Freight Tools at the number shown throughout the manual as soon as possible.

- This air tool may be shipped with a protective plug covering the air inlet. Remove this plug before set up.

Air Supply

WARNING TO PREVENT EXPLOSION:



Use only clean, dry, regulated, compressed air to power this tool. Do not use oxygen, carbon dioxide, combustible gases, or any other bottled gas as a power source for this tool.

1. Connect a regulator valve, an in-line shut off valve and 1/4" NPT air hose (all sold separately) to the Quick Connector. Use thread tape on all threaded connections. The air hose must be long enough to reach the work area with enough extra length to allow free movement while working. **An in-line shutoff ball valve is an important safety device because it controls the air supply even if the air hose is ruptured. The shutoff valve should be a ball valve because it can be closed quickly. See pages 8 and 9 for Air Tool Setup procedures.**

Note: If an automatic oiler system is not used, add a few drops of Pneumatic Tool Oil to the airline connection before operation. Add a few more drops after each hour of continual use.

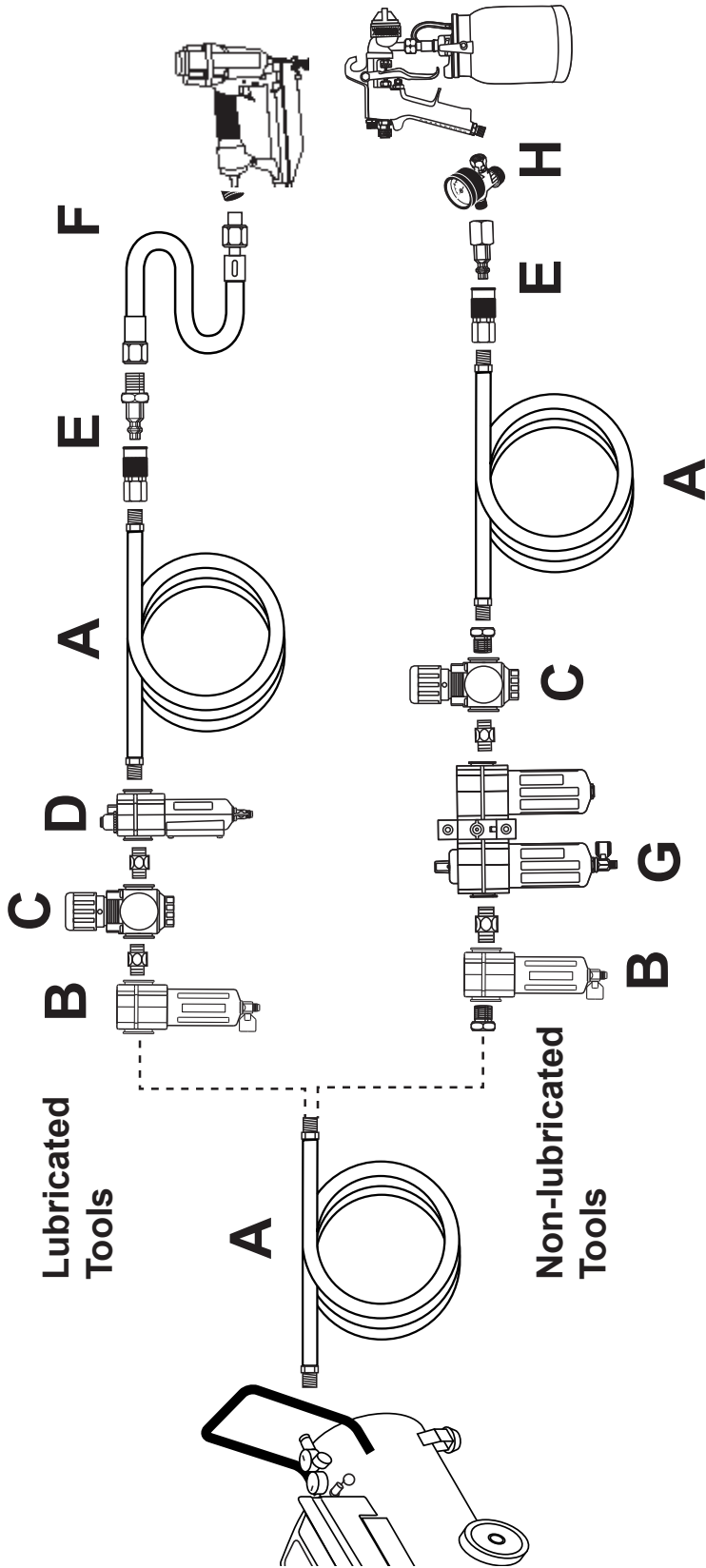
2. Attach an air hose to the compressor's air outlet. Connect the air hose to the air inlet of the tool. Other components, such as a connector and quick coupler, will make operation more efficient, but are not required.

WARNING! TO PREVENT SERIOUS INJURY FROM ACCIDENTAL OPERATION:

Do not install a quick coupler on the tool. Such a coupler contains

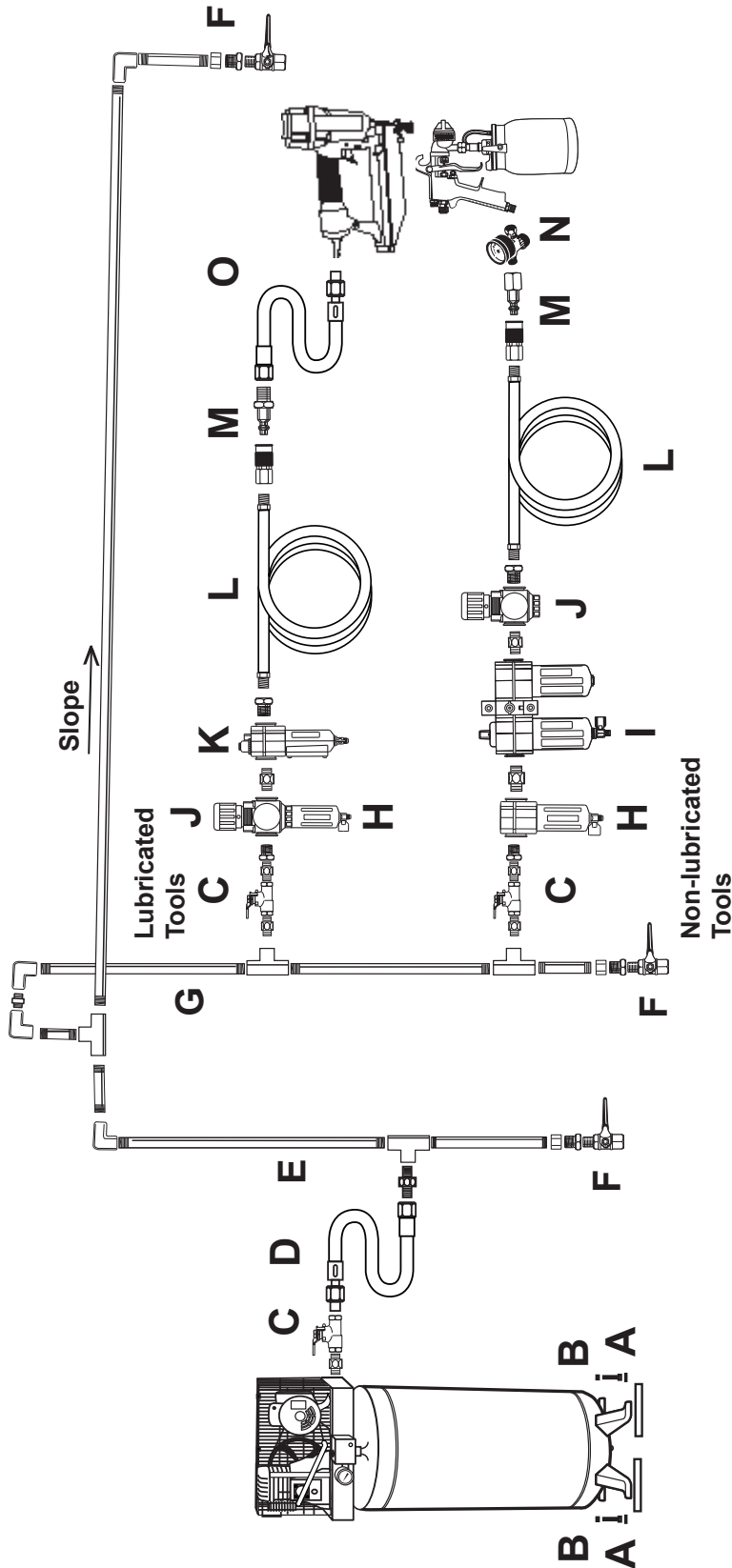
Rev 11a

Air Tool & Spray Gun Portable Setup



Description	Function
A Air Hose	Connects air to tool
B Filter	Prevents dirt and condensation from damaging tool or work piece
C Regulator	Adjusts air pressure to tool
D Lubricator (optional)	For air tool lubrication
E Coupler and Plug	Provides each connections
F Leader Hose (optional)	Increases coupler life
G Air Cleaner / Dryer (optional)	Prevents water vapor from damaging work piece
H Air Adjusting Valve (optional)	For fine tuning airflow at tool

Air Tool & Spray Gun Stationary Setup



	Description	Function
A	Vibration Pads	For noise and vibration reduction
B	Anchor Bolts	Secures air compressor in place
C	Ball Valve	Isolates sections of system for maintenance
D	Isolation Hose	For vibration reduction
E	Main Air Line - 3/4" minimum recommended	Distributes air to branch lines
F	Ball Valve	To drain moisture from system
G	Branch Air Line - 1/2" minimum recommended	Brings air to point of use
H	Filter	Prevents dirt and condensation from damaging tool or work piece
I	Air Cleaner / Dryer (optional)	Prevents water vapor from damaging work piece
J	Regulator	Adjusts air pressure to tool
K	Lubricator	For air tool lubrication
L	Air Hose	Connects air to tool
M	Coupler and Plug	Provides each connections
N	Air Adjusting Valve	For fine tuning airflow at tool
O	Leader Hose	Increases coupler life

an air valve that will allow the air tool to retain pressure and operate accidentally after the air supply is disconnected.

Note: Air flow, and therefore tool performance, can be hindered by under-sized air supply components.

3. The air hose must be long enough to reach the work area with enough extra length to allow free movement while working.
4. Close the in-line safety valve between the compressor and the tool.
5. Turn on the air compressor according to the manufacturer's directions and allow it to build up pressure until it cycles off.
6. Adjust the air compressor's output regulator so that the air output is enough to properly power the tool, but the output will not exceed the tool's maximum air pressure at any time. Adjust the pressure gradually, while checking the air output gauge to set the right pressure range.
7. Inspect the air connections for leaks. Repair any leaks found.
8. If the tool will not be used at this time, turn off and detach the air supply and safely discharge any residual air pressure.

Note: Residual air pressure should not be present after the tool is disconnected from the air supply. However, it is a good safety measure to attempt to discharge the tool in a safe fashion after disconnecting to ensure that the tool is disconnected and unpowered.

Operation



Read the **ENTIRE IMPORTANT SAFETY INFORMATION** section at the beginning of this manual including all text under subheadings therein before set up or use of this product.

Inspect tool before use, looking for damaged, loose, and missing parts. If any problems are found, do not use tool until repaired.

Testing the Full Sequential Safety Trip Mechanism



WARNING TO PREVENT SERIOUS INJURY

FROM ACCIDENTAL OPERATION: Detach the air supply, safely discharge any residual air pressure in the tool before performing any inspection, maintenance, or cleaning procedures.

TO PREVENT SERIOUS INJURY: Do not adjust or tamper with any control or component in a way not specifically explained within this manual. Improper adjustment can result in tool failure or other serious hazards.

1. **WARNING!** Even though the Nailer should be empty during this procedure, ALWAYS point the Nailer at a piece of scrap wood when testing.
2. Completely empty Magazine (79).

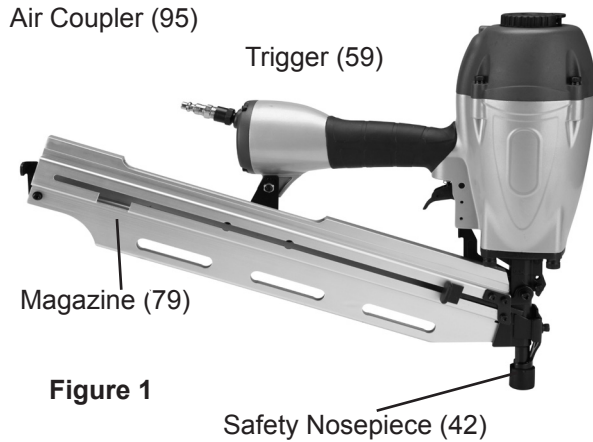


Figure 1

3. The Nailer should not fire if Safety Nosepiece (42) is not depressed against the workpiece.
4. **Make sure Trigger (59) and Safety Nosepiece (42) move freely, without sticking. Do not use nailer if Trigger or Safety sticks.**
5. Connect air supply to the Air Coupler (95). Set the regulator at the recommended 70 to 120 PSI.
6. Test by depressing Safety Nosepiece (42) against the workpiece without pulling the Trigger. **The Tool must not cycle (fire).** If it cycles (fires), stop immediately and have it repaired by a qualified service technician.
7. Hold tool away or off of workpiece. The Safety Nosepiece should return to its original position. Squeeze Trigger. **The tool should not cycle (fire).** If the tool fires, stop immediately and have it repaired by a qualified service technician.
8. Depress Safety Nosepiece against workpiece and squeeze Trigger. **The tool must cycle (fire) only once.** Release the Trigger and squeeze it again. **The tool must not cycle (fire).** With the Trigger held, carefully

lift the Nailer and press it against the workpiece again. **The tool must not cycle (fire).** If it fails to perform in the manner explained in bold, have it repaired by a qualified service technician.

WARNING! Disconnect the Nailer from the air compressor whenever loading or servicing.

WEAR ANSI-APPROVED IMPACT SAFETY GOGGLES WHEN RE-LOADING OR DOING ANY OTHER MAINTENANCE ON NAILER. Other people in work area must also wear ANSI-approved safety goggles.

Loading Nails

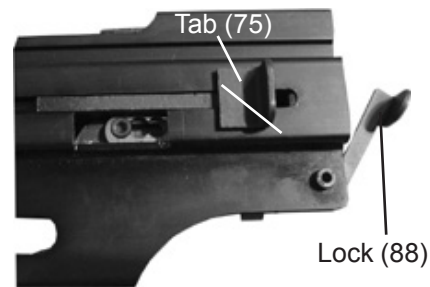


Figure 2

1. Slide the Tab (75) back and the Lock (88) will hold it in place. See **Figure 2**, above.
2. Load a stick of nails (not included) into the top slot, making sure nail heads are facing up.
3. **Be Careful.** When Lock is released, the Tab will automatically and forcefully slide forward. Keep your fingers clear when releasing Lock.
4. **Note:** The Nailer may not work if there are only a few nails left in the tool. If there are only a few nails remaining, simply load another strip

of nails into the Magazine behind the few remaining nails and the Nailer will be ready for further use.

Operating Nailer

Set proper angle of the Nailer for your application (a three step process):

CAUTION

Failure to properly adjust the nailer can result in tool failure or damage.

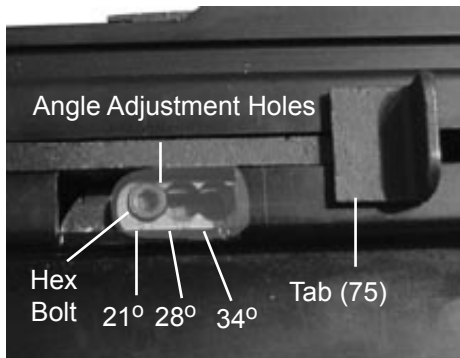


Figure 3

1. Pull back and engage the Tab (75), exposing three adjustment holes. Loosen the hex bolt and slide it into the appropriate hole (21°, 28°, 34°). Retighten the hex bolt securely, making sure it fits into the appropriate hole properly. See **Figure 3**, above. Gently release the Tab.

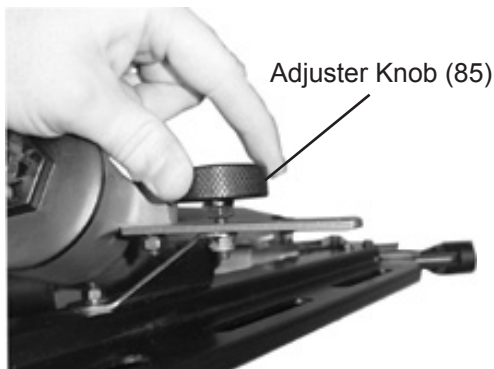


Figure 4

2. Remove the Adjuster Knob (85). See **Figure 4**, above.

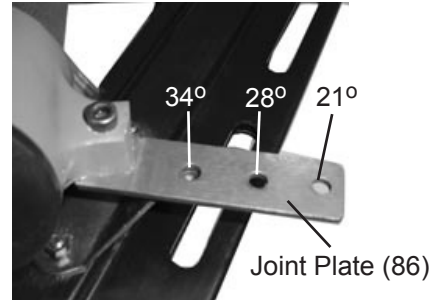
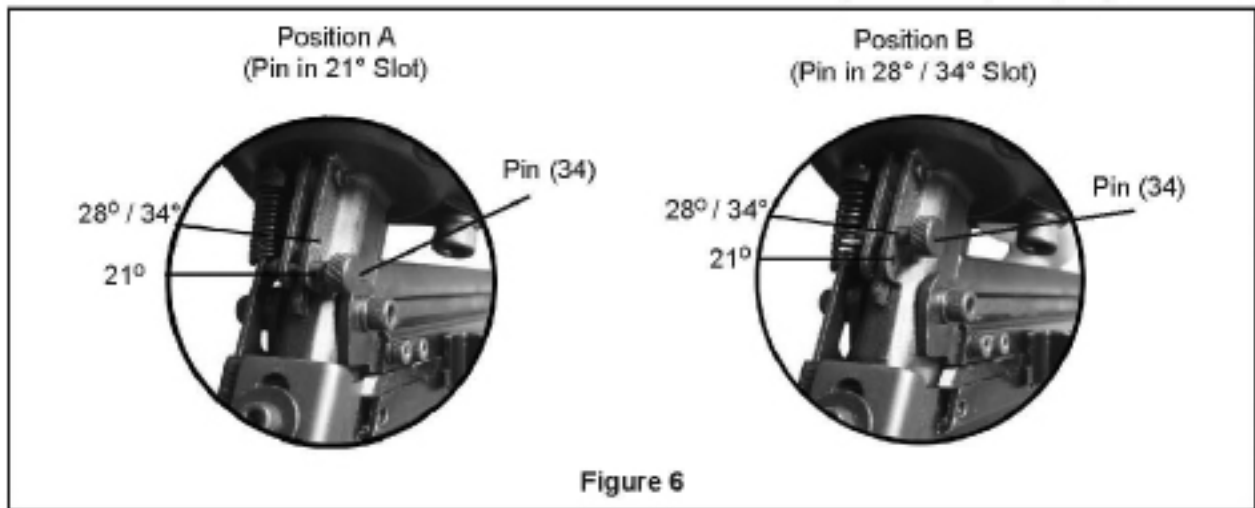


Figure 5

Move Magazine so desired hole on Joint Plate (86) lines up with the nut on Magazine. See **Figure 5**, above. Replace and tighten the Adjuster Knob.

3. Inspect Pin's (34) location. See **Figure 6**, below.
If you are driving 21° angle nails, the Pin should be in the lower hole (position A). If you are driving 28° or 34° angle nails, the Pin should be in the upper hole (position B). If the Pin is in the wrong position, pull the Pin from its Washer (35), reposition the Bar Guide (36), and reinsert and secure the Pin and Washer. Before using Nailer, be sure Pin is properly secured.
1. The driving depth of a nail can be adjusted in two ways. First, by increasing or decreasing air pressure (**never to exceed the maximum of 120 PSI**). Secondly, by loosening the Depth Screw (41) and adjusting the Bracket A (40). We recommend you experiment in a scrap piece of material to determine how far to adjust the unit.
2. Attach air supply to Air Coupler. Start your air compressor and make sure it is set to between the recommended 70-120 PSI.

3. To fire, place the Safety Nosepiece of the Nailer on the workpiece. The Nailer should not fire if the Safety Nosepiece is not depressed. Once depressed, quickly squeeze the Trigger once. **Do not fire repeatedly; nails could bounce off of one another causing injury.** We recommend practicing with a piece of scrap material.
4. The Rubber Cover (43) provides a non-marring surface. If desired, the Rubber Cover may be removed to expose the teeth on Safety Nosepiece. Doing so provides a nonslip surface and can improve accuracy.
5. **Empty the Magazine (79) completely.**
6. **Try to fire the Nailer into a piece of scrap wood to ensure that there is no trapped air in the system.**
7. **Always leave Magazine open during maintenance. The Magazine is spring-loaded and may cause parts or a nail to fly out of Nailer.**
8. If a nail is jammed in the discharge area, simply remove it with pliers.
9. If a nail is jammed in the magazine, pull the Tab (75) all the way back to the disengaged position. Using a screwdriver, attempt to release the jammed nail by probing either or both



5. When finished, disconnect the Nailer from the air source.

Clearing Jams



WARNING! Anytime any maintenance or repairs are done (including clearing jams), wear ANSI-approved impact safety goggles and appropriate hearing protection. THEN:

- a. **Disconnect the Nailer from its air supply.**

of the two openings in the magazine to release the nail. Pull out the jammed nail and the remainder of the nail strip that is still in the magazine.

3. Dispose of the remaining nail strip; it may be bent or damaged in some other way. Reload the magazine with a new nail strip.
4. **Be careful. When pulling back the Tab, it will spring forward with**

force. Keep your fingers clear when releasing.

5. If you are unable to clear the nail jam using the method prescribed above, the tool should be taken to a qualified service technician for proper servicing.

User-Maintenance



Procedures not specifically explained in this manual must be performed only by a qualified technician.

⚠️ WARNING TO PREVENT SERIOUS INJURY

FROM ACCIDENTAL OPERATION:

Turn off the tool, detach the air supply, safely discharge any residual air pressure in the tool before performing any inspection, maintenance, or cleaning procedures.

TO PREVENT SERIOUS INJURY FROM TOOL FAILURE:

Do not use damaged equipment. If abnormal noise, vibration, or leaking air occurs, have the problem corrected before further use.




TO PREVENT EXPLOSION: Lubricate the tool only with specified lubricants. Lubricate the air inlet using only pneumatic tool oil. Lubricate the internal mechanism using only white lithium grease. Other lubricants may damage the mechanism and may be highly flammable, causing an explosion.



WARNING! Anytime *any* maintenance or repairs are done, wear ANSI-approved impact safety goggles and appropriate hearing protection.
THEN:

- a. Disconnect the Nailer from its air supply.
 - b. Empty the Magazine (79) completely.
 - c. Try to fire the Nailer into a piece of scrap wood to ensure that there is no trapped air in the system.
 - d. Always leave Magazine open during maintenance. The Magazine is spring-loaded and may cause parts or a nail to fly out of Nailer.
6. Dirt in the air supply is a major cause of pneumatic tool wear. Use a filter in the compressed air system for better performance and longer tool life.
 7. **Make sure Trigger (59) and Safety Nosepiece (42) move freely, without sticking. Do not use nailer if Trigger or Safety Nosepiece sticks.**
 8. Wipe down exterior of the Nailer with a clean cloth before storing.
 9. Store in a clean, dry and safe location out of reach of children.

Troubleshooting

Problem	Possible Causes	Likely Solutions
Air leaking in Cylinder Cap (8).	<ol style="list-style-type: none"> 1. Loose Screw (6). 2. Gasket (9) is cracked or worn. 	<ol style="list-style-type: none"> 1. Tighten and recheck. 2. Replace Gasket.
Lack of power. Slow to cycle. Low power when shooting and returning.	<ol style="list-style-type: none"> 1. Tool is too dry. 2. Air pressure too low. 3. Exhaust blocked. 	<ol style="list-style-type: none"> 1. Add about 3 drops of pneumatic tool oil into the Air Coupler (95). 2. Check to make sure regulator on air compressor is set between 70 PSI and 120 PSI. 3. Clean exhaust channel.
Not shooting fasteners or only intermittent feeding.	<ol style="list-style-type: none"> 1. Damaged Torsion Spring (89). 2. Wrong size of fasteners. 3. Magazine (79) or Joint Plate (86) is dirty. 	<ol style="list-style-type: none"> 1. Replace Spring. 2. Use 2" to 3-1/2" Nails. 3. Clean Magazine and Plate.
Fastener is jammed in tool.	<ol style="list-style-type: none"> 1. Driver channel is worn. 2. Feeder Shoe (73) is broken or worn. 3. Bent fasteners. 4. Nailer angle is not properly adjusted for the correct angle nail clip. 	<ol style="list-style-type: none"> 1. Replace Driver Channel (30) and/or Driver (20). 2. Replace Feeder Shoe. 3. Remove bent fasteners. Replace with new fasteners. 4. Check all 3 angle adjustments as outlined on page 10.
 Follow all safety precautions whenever diagnosing or servicing the tool. Disconnect air supply before service.		

PLEASE READ THE FOLLOWING CAREFULLY

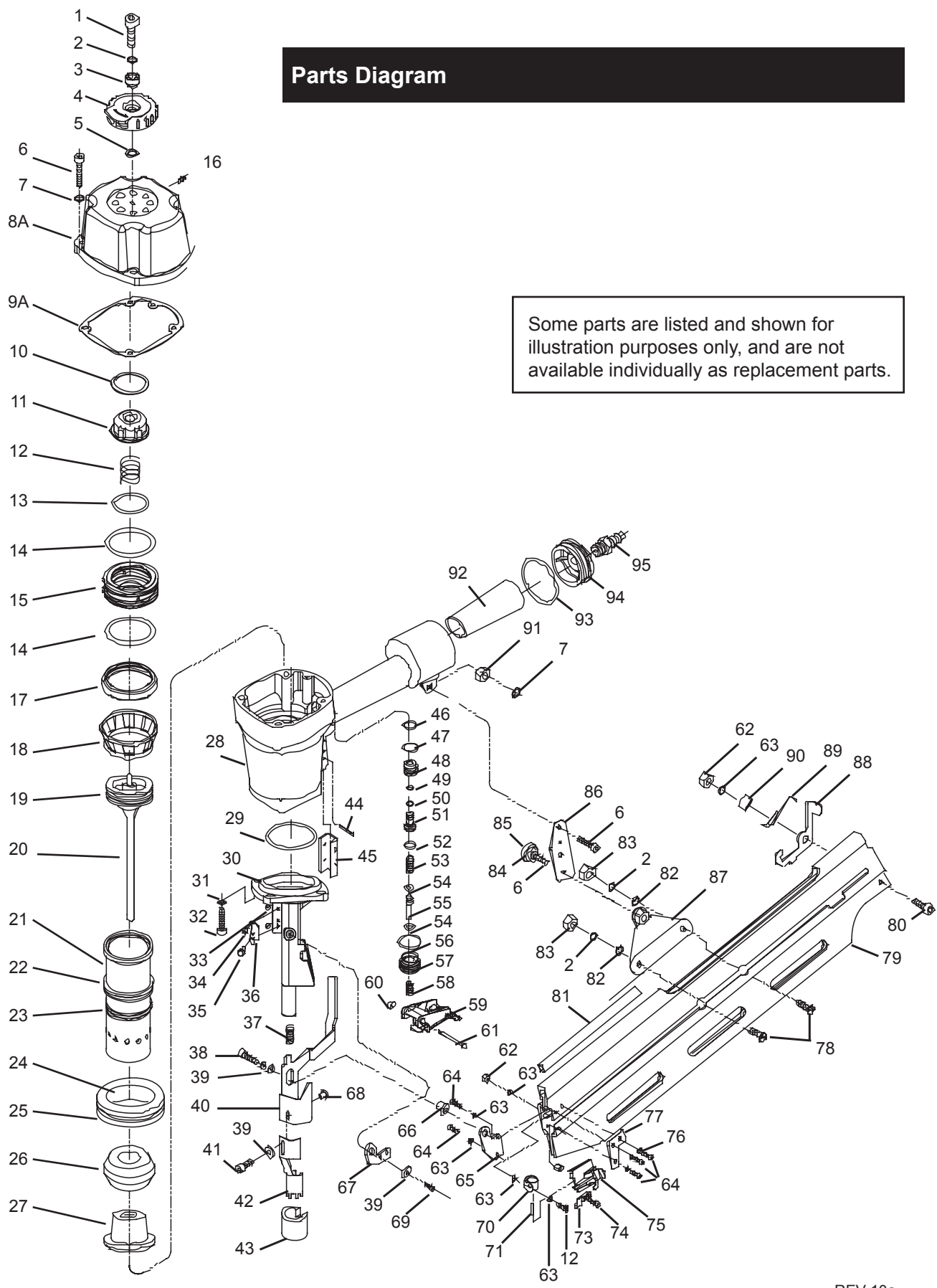
THE MANUFACTURER AND/OR DISTRIBUTOR HAS PROVIDED THE PARTS LIST AND ASSEMBLY DIAGRAM IN THIS MANUAL AS A REFERENCE TOOL ONLY. NEITHER THE MANUFACTURER OR DISTRIBUTOR MAKES ANY REPRESENTATION OR WARRANTY OF ANY KIND TO THE BUYER THAT HE OR SHE IS QUALIFIED TO MAKE ANY REPAIRS TO THE PRODUCT, OR THAT HE OR SHE IS QUALIFIED TO REPLACE ANY PARTS OF THE PRODUCT. IN FACT, THE MANUFACTURER AND/OR DISTRIBUTOR EXPRESSLY STATES THAT ALL REPAIRS AND PARTS REPLACEMENTS SHOULD BE UNDERTAKEN BY CERTIFIED AND LICENSED TECHNICIANS, AND NOT BY THE BUYER. THE BUYER ASSUMES ALL RISK AND LIABILITY ARISING OUT OF HIS OR HER REPAIRS TO THE ORIGINAL PRODUCT OR REPLACEMENT PARTS THERETO, OR ARISING OUT OF HIS OR HER INSTALLATION OF REPLACEMENT PARTS THERETO.

Parts List

Part	Description	Quantity
1	Screw	1
2	Spring Washer	3
3	Bushing	1
4	Exhaust Cover	1
5	Seal	1
6	Screw	3
7	Spring Washer	2
8A	Cylinder Cap	1
9A	O-Ring sealing	3
10	Washer	3
11	Valve Seat	1
12	Spring	2
13	O-Ring (M57.5 x 3.6)	1
14	O-Ring (M72.4 x 3.5)	2
15	Valve	1
16	Screw	1
17	Cylinder Seal	1
18	Collar	1
19	O-Ring (M54.4 x 4)	1
20	Driver	1
21	Cylinder	1
22	O-Ring (M67 x 3)	1
23	O-Ring (M60.25 x 2.5)	1
24	Restrictive Seal	1
25	O-Ring (M97.5 x 3.5)	1
26	Bumper A	1
27	Bumper B	1
28	Body	1
29	O-Ring (M62.3 x 1.8)	1
30	Driver Channel	1
31	Spring Washer	1
32	Screw	1
33	Washer	1
34	Pin	1
35	Pin Washer	1
36	Bar Guide	1
37	Spring	1
38	Screw	1
39	Washer	2
40	Bracket A	1
41	Depth Screw	1
42	Safety	1
43	Rubber Cover	1
44	Spring Pin	1
45	Safe Guide	1
46	O-Ring (M20.3 x 2.5)	1
47	O-Ring (M20.3 x 1.5)	1
48	Valve Set	1

Part	Description	Quantity
49	O-Ring (M9.5 x 1.9)	1
50	O-Ring (M10.3 x 1.9)	1
51A	Trigger Valve Head	1
52	O-Ring (M12.8 x 1.9)	1
53	Spring	1
54	O-Ring (M5.5 x 1.5)	2
55	Trigger Valve Stem	1
56	O-Ring (M24.8 x 2)	2
57	Trigger Valve Guide	1
58	Spring	1
59	Trigger	1
60	Seal	1
61	Trigger Pin	1
62	Nut	1
63	Washer	5
64	Screw	3
65	Turn Plate B	1
66	Bushing	1
67	Turn Plate A	2
68	Bushing	2
69	Screw	1
70	Coil Spring Base	1
71	Pin	1
72	Screw	1
73	Movable Feeder Shoe	1
74	Screw	1
75	Tab	1
76	Spring Washer	1
77	Joint Block	1
78	Screw	1
79	Magazine	1
80	Screw	1
81	Rail	1
82	Washer	1
83	Nut	2
84	Joint Guide	1
85	Adjuster Knob	1
86	Joint Plate	1
87	Support	1
88	Lock	1
89	Torsion Spring	1
90	Bushing	1
91	Nut	1
92	Soft Grip Sleeve	1
93	O-Ring (M65.4 X 2.5)	1
94	End Cap	1
95	Air Coupler	1

Parts Diagram



SKU 98751

For technical questions, please call 1-800-444-3353.

REV 10a
Page 17

90 Day Warranty

Harbor Freight Tools Co. makes every effort to assure that its products meet high quality and durability standards, and warrants to the original purchaser that this product is free from defects in materials and workmanship for the period of 90 days from the date of purchase. This warranty does not apply to damage due directly or indirectly, to misuse, abuse, negligence or accidents, repairs or alterations outside our facilities, criminal activity, improper installation, normal wear and tear, or to lack of maintenance. We shall in no event be liable for death, injuries to persons or property, or for incidental, contingent, special or consequential damages arising from the use of our product. Some states do not allow the exclusion or limitation of incidental or consequential damages, so the above limitation of exclusion may not apply to you. THIS WARRANTY IS EXPRESSLY IN LIEU OF ALL OTHER WARRANTIES, EXPRESS OR IMPLIED, INCLUDING THE WARRANTIES OF MERCHANTABILITY AND FITNESS.

To take advantage of this warranty, the product or part must be returned to us with transportation charges prepaid. Proof of purchase date and an explanation of the complaint must accompany the merchandise. If our inspection verifies the defect, we will either repair or replace the product at our election or we may elect to refund the purchase price if we cannot readily and quickly provide you with a replacement. We will return repaired products at our expense, but if we determine there is no defect, or that the defect resulted from causes not within the scope of our warranty, then you must bear the cost of returning the product.

This warranty gives you specific legal rights and you may also have other rights which vary from state to state.

3491 Mission Oaks Blvd. • PO Box 6009 • Camarillo, CA 93011 • (800) 444-3353

Record Product's Serial Number Here: _____

Note: If product has no serial number, record month and year of purchase instead.

CENTRALPNEUMATIC®

3491 Mission Oaks Blvd. • PO Box 6009 • Camarillo, CA 93011 • (800) 444-3353

REV 10a

SKU 98751

For technical questions, please call 1-800-444-3353.

Page 18