

OneStopGardens
By Harbor Freight Tools

ADIRONDACK ROCKER

Model 91092

ASSEMBLY AND OPERATING INSTRUCTIONS



3491 Mission Oaks Blvd., Camarillo, CA 93011

Visit our Web site at <http://www.harborfreight.com>

Copyright © 2004 by Harbor Freight Tools®. All rights reserved. No portion of this manual or any artwork contained herein may be reproduced in any shape or form without the express written consent of Harbor Freight Tools.

For technical questions and replacement parts, please call 1-800-444-3353

Specifications

Comfortable Natural Fir Wood Adirondack Rocking Chair

Overall Dimension	29-1/2"L x 37"W x 36-1/4"H	Back Seat Height	8-3/4"
Seat Area	19"D x 20"W	Back Slat Length	32"
Arm Rest	30-7/8"L x 4-1/2"W	Front Seat Height	11-1/2"
Back Rest	30-1/2"L x 17-3/8"W	Net Weight	22 Lbs.
Rocker	37"L		
Weight Capacity		250 Lbs.	

Save This Manual

You will need the manual for the safety warnings and precautions, assembly instructions, operating and maintenance procedures, parts list and diagram. Keep your invoice with this manual. Write the invoice number on the inside of the front cover. Keep the manual and invoice in a safe and dry place for future reference.

Safety Warnings and Precautions

WARNING: When assembling and using this item, basic safety precautions should always be followed to reduce the risk of personal injury and damage to equipment.

Read all instructions before beginning assembly!

1. **Keep assembly area clean.** Cluttered areas invite injuries.
2. **Observe work area conditions.** Do not use machines or power tools in damp or wet locations. Keep work area well lighted. Do not use electrically powered tools in the presence of flammable gases or liquids.
3. **Keep children away.** Children must never be allowed in the assembly area. Do not let them handle machines, tools, or extension cords. Avoid small fingers being pinched. They could be accidently pushed between slats. Avoid rocking over small children's hands or feet and even pet's tails when sitting in the chair. Children should be supervised closely when using this product.
4. **Do not exceed weight capacity of this chair.** To do so may cause personal injury or property damage. Rocking too hard could cause tipping of chair and injury. Do not use Rocker near pool, pond, spa or water source; tipping of rocker could cause injury.
5. **Use the right chair for the job.** Do not modify this chair and do not use this chair for a purpose for which it was not intended.
6. **Do not overreach.** Keep proper footing and balance during assembly.

7. **Stay alert.** Watch what you are doing, use common sense during assembly, and use of this chair.
8. **Use eye and ear protection.** Always wear ANSI approved impact safety goggles during assembly.
9. **Take caution as some woods contain preservatives such as copper chromium arsenate (CCA) which can be toxic.** When handling these materials extra care should be taken to avoid inhalation and minimize skin contact.
10. **Check for damaged parts.** Before using this chair, any part that appears damaged should be carefully checked to determine that it will operate properly and perform its intended function. Any part that is damaged should be properly repaired or replaced.
11. **Replacement parts and accessories.** When servicing, use only identical replacement parts. Use of any other parts will void the warranty.
12. **Do not assemble this chair if under the influence of alcohol or drugs.** Read warning labels on prescriptions to determine if your judgment or reflexes are impaired while taking drugs. If there is any doubt, do not proceed with assembly.
13. **Maintenance.** For your safety, service and maintenance should be performed regularly. Check the alignment of all parts, and check the tightness of all fasteners.

Warning: The warnings, cautions, and instructions discussed in this instruction manual cannot cover all possible conditions and situations that may occur. It must be understood by the operator that common sense and caution are factors which cannot be built into this product, but must be supplied by the operator.

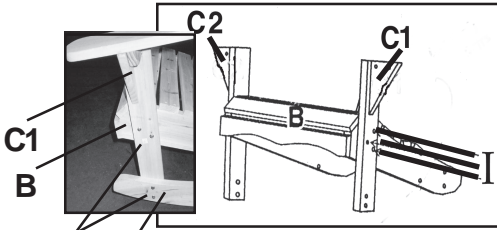
Unpacking

When unpacking, check to make sure the following parts are included.

1 Back	1 Back Brace
1 Seat	10 Wood Screws
2 Front Legs	10 55mm Bolts with nut and washer
2 Back Supports	2 65mm Bolts with nut and washer
2 Arms	1 Owner's Manual
2 Rockers	2 50mm Bolt with Nut and washer
	4 80mm Bolt with nut and washer

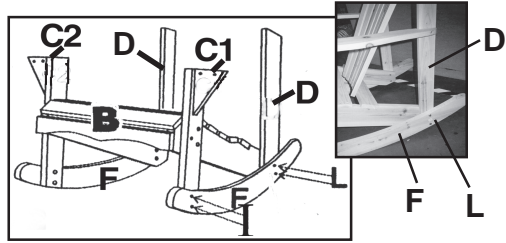
If any parts are missing or broken, please call Harbor Freight Tools at the number on the cover of this manual, or contact your local Harbor Freight retailer.

Assembly Drawing



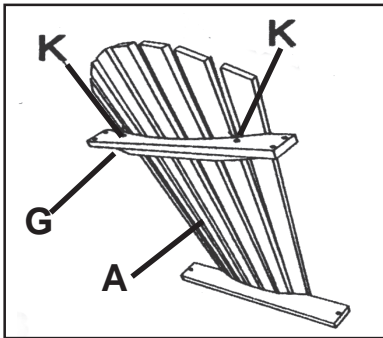
Step 1

Attach the front end of B to C1 & C2 with 6 bolts, washers and nuts (I).



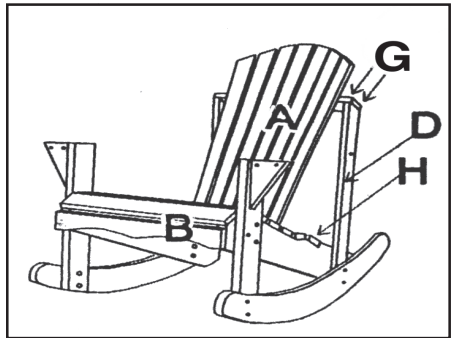
Step 2

Attach F (right and left) with C1 and C2, using 4 bolts, washers and nuts (I). Attach D (right and left) to B (seat, back end) and F using 4 bolts, washers and nuts (L).



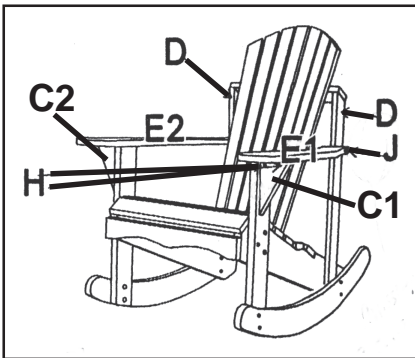
Step 3

Connecting G with the back of A, using 2 bolts, washers & nuts (K).



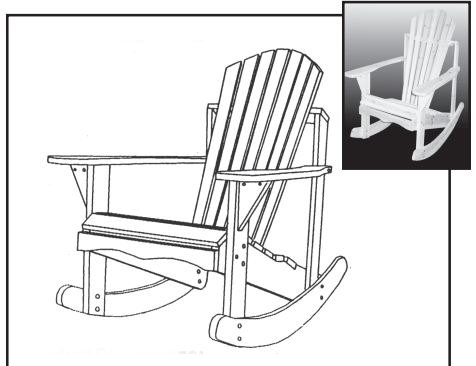
Step 4

Attach A with D & G, using 4 screws (H). Attach A with B, using 2 screws (H).



Step 5

Attach E1 and E2 to D, using 2 bolts, washers and nuts (J). Attach E1 to C1 with screws (H). Repeat with E2 to C2 with (H).

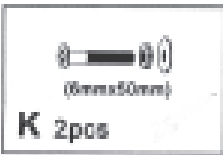
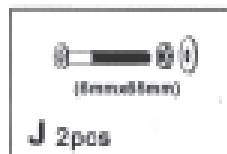
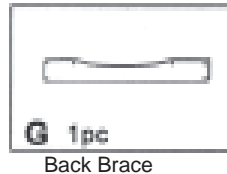
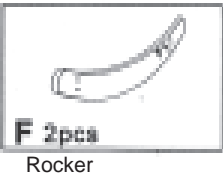
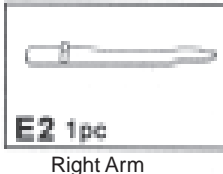
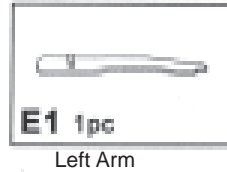
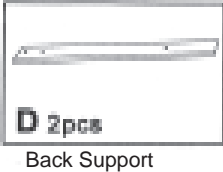
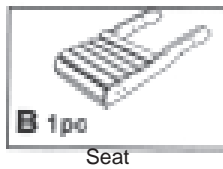
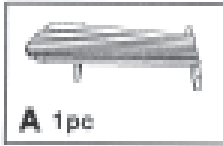


Completed. Make sure all screws, nuts and bolts are tightened and in place. Before using, test the Rocker by rocking it back and forth and being sure it is safe to operate.

Maintenance

1. This chair is made of natural Fir wood. This beautiful material will naturally weather over time, especially if used outdoors. You can manage the speed and extent of this weathering by controlling the environment in which the chair is used and stored, as well as any coatings you may apply.
2. Leaving the chair outside exposed to weather, especially direct sun, rain and salt air, will speed the weathering process. This can be slowed by removing the chair from these conditions, or covering it with a suitable cover.
3. You may wish to stain, varnish or paint the chair. If so, follow the instructions supplied with these coatings.
4. Occasionally wash the chair with a garden hose or pressure sprayer to remove accumulated dust or dirt. Wipe down or blow off any remaining water left on the chair after washing.
5. Periodically (perhaps once per year), recheck the tightness of all fasteners. Normal usage of the chair and weathering of the wood may cause fasteners to loosen. If fasteners can not be tightened, use wood glue or some other appropriate bonding material to ensure that fasteners remain tight.

Parts List



NOTE: Some parts are listed and shown for illustration purposes only and are not available individually as replacement parts.

PLEASE READ THE FOLLOWING CAREFULLY

THE MANUFACTURER AND/OR DISTRIBUTOR HAS PROVIDED THE PARTS DIAGRAM IN THIS MANUAL AS A REFERENCE TOOL ONLY. NEITHER THE MANUFACTURER NOR DISTRIBUTOR MAKES ANY REPRESENTATION OR WARRANTY OF ANY KIND TO THE BUYER THAT HE OR SHE IS QUALIFIED TO MAKE ANY REPAIRS TO THE PRODUCT OR THAT HE OR SHE IS QUALIFIED TO REPLACE ANY PARTS OF THE PRODUCT. IN FACT, THE MANUFACTURER AND/OR DISTRIBUTOR EXPRESSLY STATES THAT ALL REPAIRS AND PARTS REPLACEMENTS SHOULD BE UNDERTAKEN BY CERTIFIED AND LICENSED TECHNICIANS AND NOT BY THE BUYER. THE BUYER ASSUMES ALL RISK AND LIABILITY ARISING OUT OF HIS OR HER REPAIRS TO THE ORIGINAL PRODUCT OR REPLACEMENT PARTS THERETO, OR ARISING OUT OF HIS OR HER INSTALLATION OF REPLACEMENT PARTS THERETO.