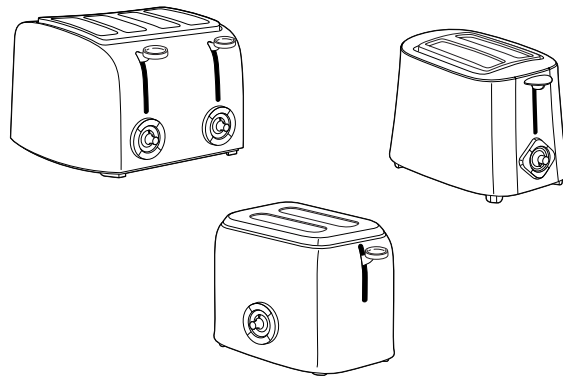


*Toasters*

**READ BEFORE USE**



**USA: 1-800-851-8900  
Canada : 1-800-267-2826  
En México: 01-800-71-16-100**

840119200

## **⚠️ WARNING**



### **Fire Hazard**

- **Do not operate while unattended.**
- **Do not use with food that has been spread with butter, jelly, frosting, etc.**
- **Do not use with rice cakes, fried foods, frozen prepared foods or non-bread items.**
- **Do not use with toaster pastries. Always cook toaster pastries in a toaster oven broiler.**
- **Do not cover or use near curtains, walls, cabinets, paper or plastic products, cloth towels, etc.**
- **Close supervision is necessary when used by or near children.**
- **Always unplug toaster when not in use.**
- **Failure to follow these instructions can result in death or fire.**

## **IMPORTANT SAFEGUARDS**

1. Read all instructions.
2. Do not operate toaster while unattended.
3. Close supervision is necessary when any appliance is used by or near children.
4. Do not attempt to dislodge food when toaster is plugged in.
5. To protect against electrical shock, do not immerse cord, plug, or toaster in water or other liquid.
6. Unplug from outlet when not in use and before cleaning. Allow to cool before putting on or taking off parts, or moving toaster.

2

7. Do not operate toaster with a damaged cord or plug or after toaster malfunctions or has been damaged in any manner. Call our toll-free customer service number for information on examination, repair or adjustment.
8. Oversized foods, metal foil packages, or utensils must not be inserted in a toaster as they may involve a risk of fire or electric shock.
9. Do not clean with metal scouring pads. Pieces can break off pad and touch electrical parts resulting in risk of electrical shock.
10. A fire may occur if toaster is covered or touching flammable material, including curtains, draperies, walls, overhead cabinets, paper or plastic products, cloth towels, and the like, when in operation.
11. Do not operate toaster in an enclosed space, such as an appliance cabinet, caddy, garage or other storage area.
12. Do not cook, warm, or toast rice cakes, fried foods, non-bread items or toaster pastries. Toaster pastries should be heated in a toaster oven broiler. Do not heat any food product that has been spread or iced with margarine, butter, jelly, frosting, syrup, or other spread. Follow Toasting Guide.
13. Failure to clean crumb tray may result in a fire hazard.
14. Do not place on or near a hot gas or electric burner, or in a heated oven.
15. Do not touch hot surfaces. Use handles or knobs.
16. The use of accessory attachments not recommended by Hamilton Beach/Proctor-Silex, Inc. may cause injuries.
17. Do not let cord hang over edge of table or counter, or touch hot surfaces.
18. Before unplugging toaster, make sure bread lifter is in “up” position.
19. Do not use outdoors.
20. Do not use toaster for other than intended use.
21. This product is for household use only.

## **SAVE THESE INSTRUCTIONS**

3

## OTHER CONSUMER SAFETY INFORMATION

To avoid a circuit overload, do not operate another high wattage appliance on the same circuit.

This appliance is equipped with a polarized plug. This type of plug has one blade wider than the other. The plug will fit into an electrical outlet only one way. This is a safety feature intended to help reduce the risk of electrical shock. If you are unable to insert the plug into the outlet, try reversing the plug. If the plug should still fail to fit, contact a qualified electrician to replace the obsolete outlet. Do not attempt to defeat the safety purpose of the polarized plug by modifying the plug in any way.

The length of the cord used on this appliance was selected to reduce the hazards of becoming tangled in, or tripping over, a longer cord. If a longer cord is necessary, an approved extension cord may be used.

The electrical rating of the extension cord must be equal to or greater than the rating of the toaster. Care must be taken to arrange the extension cord so that it will not drape over the countertop or tabletop where it can be pulled on by children or accidentally tripped over.

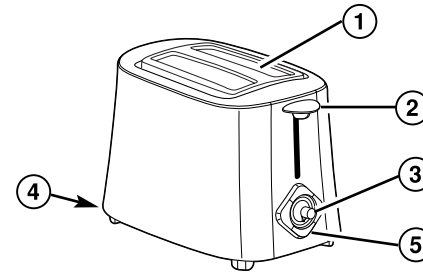
## Toasting Guide

FOOD	Shade Setting	Optional Setting*
Regular bread	Med. Light to Med. Dark	Toast
English muffins	Med. Dark	Bagel
Bagels	Med. to Dark	Bagel
Frozen bread or buns	Med. Dark	Toast
Frozen waffles or pastries	Light	Toast
Toaster pastries (such as Pop Tarts®)		
Do not heat in toaster – use toaster oven broiler. If you must use toaster – ALWAYS set to lowest shade setting, NEVER heat cracked, broken or warped pastries, and NEVER leave unattended.		

\*on selected models

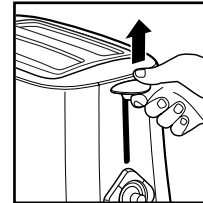
® Pop Tart is a registered trademark of the Kellogg Co.

## Parts and Features

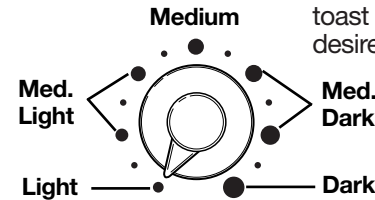


### 1. Food Slots with Guides

2. **Bread Lifter** – Push down bread lifter to start toaster. The bread lifter may be lifted up to stop toasting during a cycle.



3. **Shade Selector** – The shade selector ranges from light toast to dark toast. Adjust to desired setting before using.



4. **Slide-Out Crumb Tray** (located on back of toaster – see page 8 for more information).

## 5. Programming Buttons (Available on select models only.)

**On/Cancel** – This light will illuminate when the toaster is on. To cancel or end a cycle, press the On/Cancel button. The cycle will stop and the light will go out.

**Bagel** – Use to toast only one side of a cut bagel. Load toaster with cut side of the bagel facing out, as the center heating element is turned off during this cycle. To use: press the Bagel button after the toast cycle has started.



**Defrost** – Use only on frozen foods that were made to be placed in a toaster. This feature allows additional time for the food to thaw and heat through. To use: press the Defrost button after the toast cycle has started.

**Reheat** – Use to warm food that has cooled. This function starts a short 30 to 50 second toast cycle. The Shade Selector setting does not affect the Reheat time. To use: press the Reheat button after the toast cycle has started.

**To combine programs is easy. For example, to toast a frozen bagel:**

- Load bagel in toaster with cut sides facing out.
- Choose desired Shade Selector setting.
- Push down the Bread Lifter to start the toasting cycle.
- Press Bagel button, then press Defrost.

## How to Toast

---

1. Plug toaster into electrical outlet.
2. Place bread or bagel in slots. If toasting bagels or English muffins, place in slots with cut sides facing outside wall of toaster. Select toast shade and press down bread lifter.
3. At the end of toasting cycle, bread will pop up automatically.  
**NOTE: The bread lifter will not latch down unless the toaster is plugged in.**
4. To stop the toasting cycle sooner, lift up bread lifter or push the Cancel button (on some models).

## Tips and Troubleshooting

---

- Toasting is affected by the temperature of the bread. Room temperature bread may toast to a medium color on Medium. The same type of bread that has been refrigerated may require setting Medium Dark, and if frozen, Dark.
- The moisture content will also affect toasting. Fresh **bagels**, made locally, will have a higher moisture content than bagels purchased in the bread section of the supermarket. The bagel setting extends toasting time to allow most bagels to toast in one cycle. Fresh bagels made locally may require two toasting cycles.
- Because of the irregular surface of **English muffins**, they may require more than one toasting cycle. After toasting for one cycle on Medium Dark, if a darker shade is desired, adjust shade selector to setting Light or Medium Light and toast for a second cycle. Watch closely to avoid overbrowning. English muffins cut with a knife toast more evenly than English muffins split with a fork.

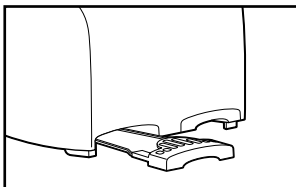
## Tips and Troubleshooting (cont.)

- To remove food that becomes lodged in food slots, disconnect from outlet and allow toaster to cool. Turn toaster upside down and shake. Do not use fork or other utensil that could damage heating element or result in risk of fire or electrical shock.
- When toasting a single slice, you may notice variations in bread color from side to side.
- Dark is the darkest shade of toast color. If a darker shade is desired, reset at Medium, watch closely and toast for a second cycle.

## Cleaning

**NOTE:** If the toaster is used daily, the crumb tray should be cleaned weekly.

1. Unplug toaster and let cool.
2. Slide out crumb tray, discard crumbs and wipe tray with clean cloth. Replace crumb tray.
3. Wipe outside of toaster with a damp cloth. Do not use abrasive cleansers that may scratch the surface of the toaster.



## Customer Service

If you have a question, call our customer service number. Before calling, please note the model, type, and series numbers. These numbers can be found on the bottom of your toaster and will help us answer your question.

**The following warranty applies only to product purchased in the United States and Canada.**

### LIMITED WARRANTY

This product is warranted to be free from defects in material and workmanship for a period of two (2) years for Hamilton Beach Portfolio products, one (1) year for Hamilton Beach products or one hundred eighty (180) days for Proctor-Silex products from the date of original purchase, except as noted below. During this period, we will repair or replace this product, at our option, at no cost. THE FOREGOING WARRANTY IS IN LIEU OF ANY OTHER WARRANTY, WHETHER EXPRESS OR IMPLIED, WRITTEN OR ORAL INCLUDING ANY WARRANTY OF MERCHANTABILITY OR FITNESS FOR A PARTICULAR PURPOSE. ANY LIABILITY IS EXPRESSLY LIMITED TO AN AMOUNT EQUAL TO THE PURCHASE PRICE PAID, AND ALL CLAIMS FOR SPECIAL, INCIDENTAL AND CONSEQUENTIAL DAMAGES ARE HEREBY EXCLUDED. There is no warranty with respect to the following, which may be supplied with this product: glass parts, glass containers, cutter/strainer, blades, and/or agitators. This warranty extends only to the original consumer purchaser and does not cover a defect resulting from abuse, misuse, neglect, use for commercial purposes, or any use not in conformity with the printed directions. This warranty gives you specific legal rights, and you may also have other legal rights which vary from state to state, or province to province. Some states or provinces do not allow limitations on implied warranties or special, incidental or consequential damages, so the foregoing limitations may not apply to you.

If you have a claim under this warranty, DO NOT RETURN THE APPLIANCE TO THE STORE! Please call our CUSTOMER SERVICE NUMBER. (For faster service please have model, series, and type numbers ready for operator to assist you.)

### CUSTOMER SERVICE NUMBERS

In the U.S. 1-800-851-8900

In Canada 1-800-267-2826

Web site address: [www.hamiltonbeach.com](http://www.hamiltonbeach.com) or  
[www.proctorsilex.com](http://www.proctorsilex.com)

**KEEP THESE NUMBERS FOR FUTURE REFERENCE!**

HAMILTON BEACH  PROCTOR-SILEX, INC. PROCTOR-SILEX CANADA, INC.  
263 Yadkin Road, Southern Pines, NC 28387 Picton, Ontario K0K 2T0

840119200 [www.hamiltonbeach.com](http://www.hamiltonbeach.com) • [www.proctorsilex.com](http://www.proctorsilex.com) 11/03  
[www.hamiltonbeach.com.mx](http://www.hamiltonbeach.com.mx) • [www.proctorsilex.com.mx](http://www.proctorsilex.com.mx)