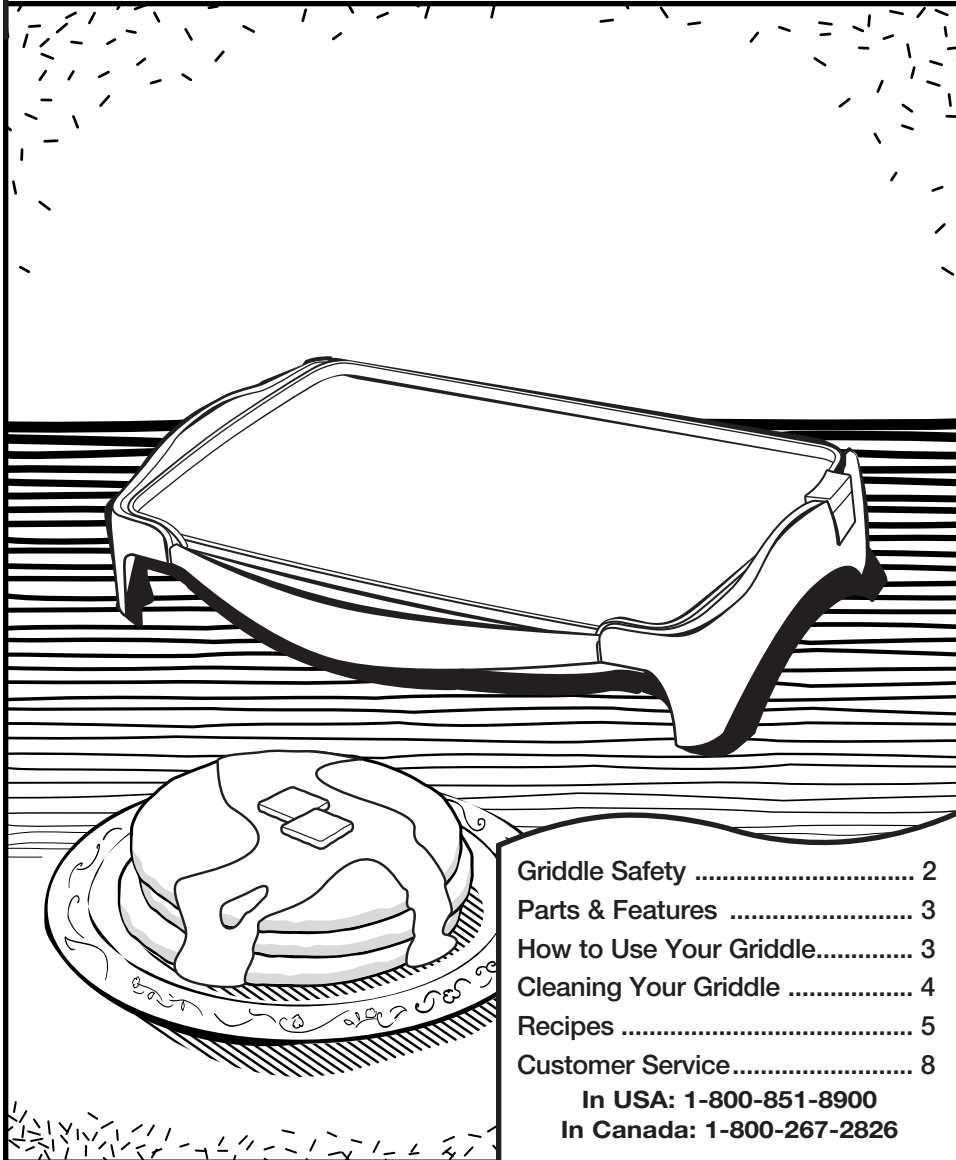


**Hamilton Beach®**

# *Electric Griddle*



Griddle Safety .....	2
Parts & Features .....	3
How to Use Your Griddle.....	3
Cleaning Your Griddle .....	4
Recipes .....	5
Customer Service.....	8

**In USA: 1-800-851-8900**  
**In Canada: 1-800-267-2826**

840098400

# Griddle Safety

## IMPORTANT SAFEGUARDS

When using electrical appliances, basic safety precautions should always be followed, including the following:

1. Read all instructions.
2. Do not touch hot surfaces. Use handles or knobs, which may be warm. Use oven mitts.
3. To protect against electric shock, do not immerse cord, plug, or variable heat power cord in water or other liquid.
4. Close supervision is necessary when any appliance is used by or near children.
5. Unplug from outlet when not in use and before cleaning. Allow to cool before putting on or taking off parts, and before cleaning the appliance.
6. Do not operate any appliance with a damaged cord or plug, or after the appliance malfunctions, or has been dropped or damaged in any manner. Call our toll-free customer service number for examination, repair, or adjustment.
7. The use of accessory attachments not recommended by Hamilton Beach/Proctor-Silex may cause injuries.
8. Do not use outdoors.
9. Do not let cord hang over edge of table or counter, or touch hot surfaces, including the stove.
10. Do not place on or near a hot gas or electric burner, or in a heated oven.
11. Extreme caution must be used when moving an appliance containing hot oil or other hot liquids.
12. Always attach plug to appliance first, then plug cord into the wall outlet. To disconnect, turn any control to "MIN" then remove plug from wall outlet.
13. Use only the power cord provided with this appliance.
14. Do not use appliance for other than intended use.

## SAVE THESE INSTRUCTIONS!

### Consumer Safety Information

To avoid an electrical circuit overload, do not operate another high wattage appliance on the same circuit with the griddle.

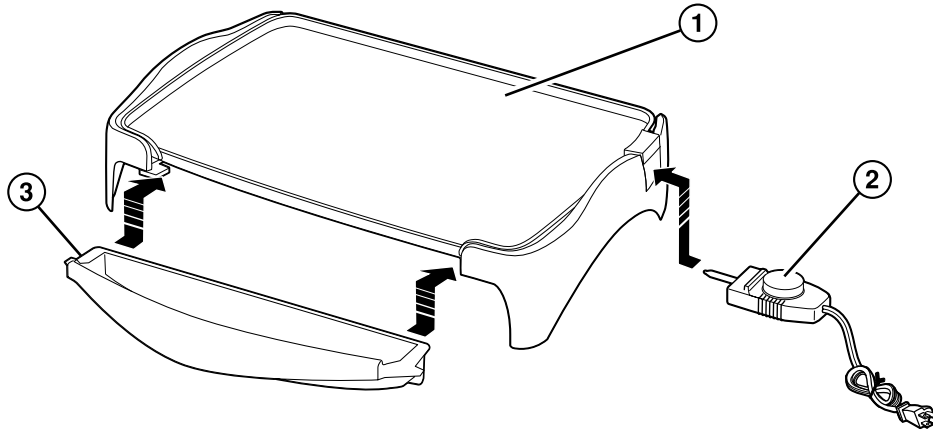
This appliance is equipped with a grounded-type 3-wire cord (3-prong plug). This type of plug will only fit into an electrical outlet made for a 3-prong plug. This is a safety feature intended to help reduce the risk of electrical shock. If the plug should fail to fit contact a qualified electrician to replace the obsolete outlet. Do not attempt to defeat the safety purpose of the grounding pin, by modifying the plug in any way.

The length of the cord used on this appliance was selected to reduce the hazards of becoming tangled in, or tripping over a longer cord. If a longer cord is necessary an approved extension cord may be used. The electrical rating of the extension cord must be equal to or greater than the rating of the electric griddle and be a grounded 3-wire cord. Care must be taken to arrange the extension cord so that it will not drape over the countertop or tabletop where it can be pulled on by children or accidentally tripped over.

**Before First Use:** Wash griddle in hot, soapy water. Rinse thoroughly and dry. The griddle may also be washed in a dishwasher.

## Parts & Features

1. Nonstick Griddle
2. Variable Heat Power Cord
3. Drip Tray



## How to Use Your Griddle

1. Always use griddle on a dry, level, heat-resistant surface.
  2. Make sure drip tray is in place.
  3. Set power cord control to MIN. Plug power cord into griddle.
  4. Plug cord into electrical outlet.
  5. Refer to the Cooking Chart for selecting the correct heat setting.
  6. Preheat griddle 5 to 10 minutes until desired temperature is reached.
  7. When the indicator light on the variable heat power cord goes out, the cooking temperature has been reached. You may now add the food.
- Heat may be increased or decreased, depending upon personal preference and the type or amount of food being prepared.
8. When finished cooking, remove food, turn temperature control to MIN, and unplug unit.
- NOTES:**
- For best results, space foods evenly on the griddle and do not overload the griddle.
  - Only use wooden or plastic cooking utensils to prolong the life of the nonstick coating.
  - Do not place any pot, pan, or dish on the nonstick griddle surface.

## Cooking Chart

Food	Temperature	Time
Fried Eggs	325°F	2 to 3 minutes
French Toast	350°F	8 to 10 minutes
Grilled Cheese Sandwiches	375°F	4 to 5 minutes
Pancakes	375°F	4 to 5 minutes
Hamburgers (1/3 lb. each)	350°F	15 to 20 minutes
Bacon	350°F	10 to 15 minutes
Sausage Links and Patties	350°F	15 minutes
Hot Dogs	325°F	15 minutes

## *Cleaning Your Griddle*

1. When finished cooking, turn variable heat power cord control to MIN and unplug from outlet.
2. Let griddle cool completely. Remove power cord. Remove drip tray by lifting up and then pulling out.
3. Clean griddle and drip tray with hot, soapy water, using a plastic or nylon scouring pad. Rinse then dry. Or place the griddle and drip tray in automatic dishwasher.

4. Clean variable heat power cord with a damp cloth.

**Do not use metal scouring pads or abrasive cleansers. This will damage the nonstick coating.**

**⚠WARNING: To reduce the risk of shock, do not immerse Variable Heat Power Cord in water or other liquid.**

# Recipes

## *Pancake Basics!*

- Since pancake batter does not need a lot of mixing, over-mixing is a frequent mistake. The dry ingredients and wet ingredients should be stirred together until just mixed. A few lumps will remain. If your batter looks too thick you may add more liquid. Using the liquid that is called for in the recipe, add only one tablespoon at a time until the batter reaches desired consistency.
- A properly preheated griddle is also very important to perfect pancakes. So don't skip the preheating.
- Once you have poured batter onto the griddle, the pancakes should only be turned once. When the top of the pancake is covered with bubbles it is ready to be turned. The second side will not take as long to cook as the first.

## Your Favorite Pancakes

Make one batch of basic pancakes from your favorite scratch recipe or a boxed mix. Preheat griddle according to directions. Pour batter by  $\frac{1}{4}$  cupfuls onto the griddle. Sprinkle with one of the following mix-ins then turn and cook until done. Use the suggested topping or regular syrup.

### Mix-Ins:

Mini-Chocolate Chips  
Chopped Pecans  
Chopped Peanuts  
Chopped Bananas  
Cooked, Crumbled Bacon

### Toppings:

Whipped Topping  
Maple Syrup  
Warmed Grape Jelly  
Strawberry Preserves  
Scrambled Eggs

## Pancakes

1 cup flour	1 egg
2 teaspoons baking powder	1 cup milk
$\frac{1}{2}$ teaspoon salt	3 tablespoons butter, melted
2 tablespoons sugar	

Preheat griddle to 375°F. Combine all ingredients in a bowl until just mixed. Using  $\frac{1}{4}$  cup per pancake, pour batter onto griddle. Cook approximately 4 to 5 minutes turning once. **Makes 10 pancakes.**

## Buttermilk Pancakes

2 cups all purpose flour	½ teaspoon salt
3 tablespoons sugar	2 cups buttermilk
1 tablespoon baking powder	3 eggs

Preheat griddle to 375°F. Stir together flour, sugar, baking powder and salt in large bowl to blend. Combine buttermilk and eggs to blend. Add to dry ingredients and stir until mixed. Pour batter by ¼ cupfuls onto griddle. Cook about 3 to 4 minutes turning once. **Makes 20-22 pancakes.**

## Overnight Raisin Oatmeal Pancakes

2 cups quick cooking oats	2 tablespoons sugar
2½ cups milk	1 teaspoon baking powder
2 eggs	1 teaspoon baking soda
¼ cup vegetable oil	½ teaspoon ground cinnamon
½ cup flour	½ teaspoon salt
	⅓ cup raisins

Mix together the oatmeal, milk, eggs and oil. Mix together the flour, sugar, baking powder, baking soda, cinnamon and salt. Add to oatmeal mixture and stir to mix. Cover and refrigerate overnight. The next morning, stir in raisins. Allow batter to sit for 10 minutes before cooking. Preheat griddle to 375°F. Pour batter by ¼ cupfuls onto griddle. Cook about 5 minutes turning once. **Makes 16-18 pancakes.**

## Apple-Molasses Pancakes

1½ cups milk	2 cups flour
2 tart apples such as Granny Smith, peeled, cored, and cut in large chunks	1½ teaspoons baking powder
1 egg	¼ teaspoon baking soda
4 tablespoons butter, melted	¼ teaspoon salt
2 tablespoons molasses	¼ teaspoon cinnamon

Preheat griddle to 325°F. Place milk, apple chunks, egg, butter and molasses in blender jar.\* Pulse or blend briefly (3 to 5 seconds) until apples are finely chopped. In a large bowl, combine flour, baking powder, baking soda, salt and cinnamon. Stir the dry ingredients to mix. Add apple/milk mixture and stir until just combined. Batter will be thick but still pourable. Pour batter by ¼ cupfuls onto griddle. Cook for 3 to 4 minutes then turn pancakes and cook about 2 to 3 minutes more. **Makes 16-18 pancakes.**

\*If you do not have a blender, finely shred apples using a grater.

## Peanut Butter and Jelly Pancakes

1 cup flour	½ cup peanut butter
1 tablespoon sugar	1 egg
2 teaspoons baking powder	1 tablespoon oil
½ teaspoon salt	Jelly or preserves
1¼ cups milk	

Preheat griddle to 350°F. Combine flour, sugar, baking powder, and salt. In a separate bowl combine milk, peanut butter, egg, and oil. Stir until combined, then add to dry ingredients. Pour batter by ¼ cupfuls onto griddle. Cook about 5 minutes turning once. Serve with jelly or preserves. **Makes 14-16 pancakes.**

## Blueberry Pancakes

---

2½ cups flour	1 tablespoon vegetable oil
1 teaspoon salt	2 eggs
1 tablespoon baking powder	2 cups milk
2 tablespoons sugar	1½ cups frozen blueberries; thawed, rinsed, and dried on paper towel

Preheat griddle to 375°F. In a large bowl, mix together flour, salt, baking powder and sugar. In a small bowl, beat together oil, eggs and milk. Stir into flour mixture. Fold in the blueberries. Pour batter by ¼ cupfuls onto griddle. Cook about 5 minutes turning once. **Makes 20-24 pancakes.**

## French Toast

---

1 tablespoon butter, melted	½ teaspoon vanilla
4 eggs	¼ teaspoon cinnamon
½ teaspoon salt	8 slices of bread
1 cup milk	

Preheat griddle to 350°F. Mix eggs, butter, salt, milk, vanilla, and cinnamon in a large bowl. One at a time, dip slices of bread in the egg mixture to coat thoroughly on both sides. Place bread onto the griddle and fry until golden brown, about 5 minutes per side. **Makes 8 slices.**

## Campers' Egg & Cinnamon Toast

---

4 slices bread	1 teaspoon cinnamon
Softened butter or margarine	4 eggs
1 tablespoon sugar	Salt and pepper

Preheat griddle to 325°F. Lightly butter both sides of bread slices. Cut or tear a 3-inch hole in the center of each bread slice. (Hole must be big enough so most of egg touches griddle. Save the centers; do not discard. In a small bowl combine sugar and cinnamon. Sprinkle both sides of bread slices and centers with the cinnamon-sugar. Place bread and centers on griddle and cook for about 2 minutes. Flip all bread and centers over. Break one egg into each of the 4 holes. Season with salt & pepper. Cook for about 4 minutes or to desired doneness. Flip again if desired. Serve with the extra bread center sitting atop the egg. **Makes 4 servings.**

## Johnnycakes

---

1½ cups stone-ground cornmeal	1 teaspoon sugar
1 teaspoon salt	2½ cups boiling water

Preheat griddle to 325°F. Combine the cornmeal, salt and sugar in a large bowl. Stirring constantly, slowly add the boiling water to the bowl. Set batter aside for 10 minutes. The batter should be thick but not stiff. Scoop ¼ cup batter onto griddle. The cakes should be thick (about ¾ inch) and no more than 3 inches across. Cook until the underside is a deep golden brown, 6 to 11 minutes. Turn the cakes over and continue to cook for another 6 to 11 minutes. **Makes about 10 cakes.**

## Customer Service

Call our toll-free customer service numbers. Please note the model, type, and series number on the variable heat power cord, or have the griddle close by when you call. This will help us answer your questions.

### LIMITED WARRANTY

This product is warranted to be free from defects in material and workmanship for a period of two (2) years for Hamilton Beach Portfolio products or one (1) year for Hamilton Beach products from the date of original purchase, except as noted below. During this period, we will repair or replace this product, at our option, at no cost. THE FOREGOING WARRANTY IS IN LIEU OF ANY OTHER WARRANTY, WHETHER EXPRESS OR IMPLIED, WRITTEN OR ORAL INCLUDING ANY WARRANTY OF MERCHANTABILITY OR FITNESS FOR A PARTICULAR PURPOSE. ANY LIABILITY IS EXPRESSLY LIMITED TO AN AMOUNT EQUAL TO THE PURCHASE PRICE PAID, AND ALL CLAIMS FOR SPECIAL, INCIDENTAL AND CONSEQUENTIAL DAMAGES ARE HEREBY EXCLUDED. There is no warranty with respect to the following, which may be supplied with this product: glass parts, glass containers, cutter/strainer, blades, and/or agitators. This warranty extends only to the original consumer purchaser and does not cover a defect resulting from abuse, misuse, neglect, use for commercial purposes, or any use not in conformity with the printed directions. This warranty gives you specific legal rights, and you may also have other legal rights which vary from state to state, or province to province. Some states or provinces do not allow limitations on implied warranties or special, incidental or consequential damages, so the foregoing limitations may not apply to you.

If you have a claim under this warranty, DO NOT RETURN THE APPLIANCE TO THE STORE! Please call our CUSTOMER SERVICE NUMBER. (For faster service please have model, series, and type numbers ready for operator to assist you.)

### CUSTOMER SERVICE NUMBERS

In the U.S. 1-800-851-8900

In Canada 1-800-267-2826

Web site address: [www.hamiltonbeach.com](http://www.hamiltonbeach.com)

**KEEP THESE NUMBERS FOR FUTURE REFERENCE!**

HAMILTON BEACH ♦ PROCTOR-SILEX, INC.

263 Yadkin Road  
Southern Pines, North Carolina 28387

840098400

Web site address: [www.hamiltonbeach.com](http://www.hamiltonbeach.com)

PROCTOR-SILEX CANADA, INC.

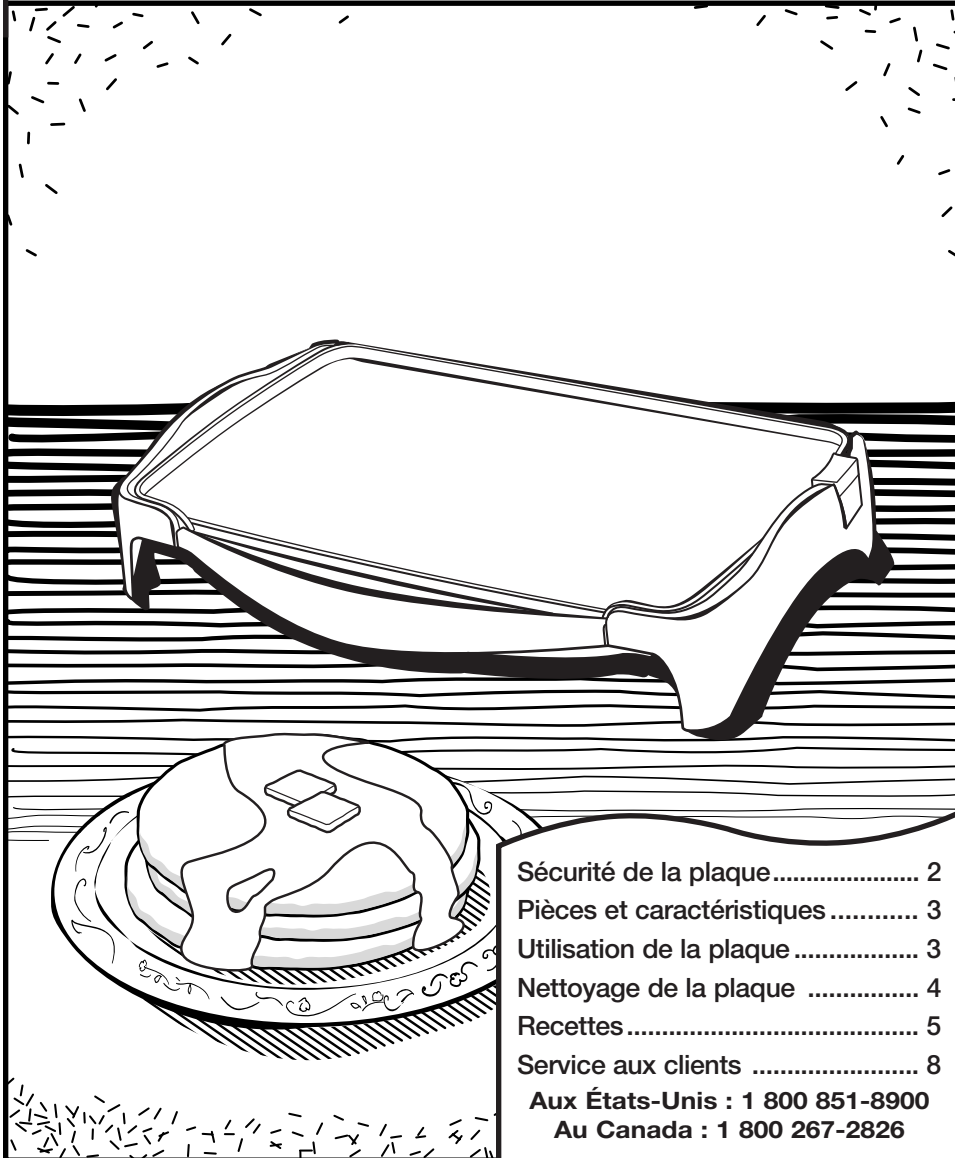
Picton, Ontario K0K 2T0

3/02



**Hamilton Beach®**

# *Plaque chauffante*



Sécurité de la plaque.....	2
Pièces et caractéristiques.....	3
Utilisation de la plaque.....	3
Nettoyage de la plaque.....	4
Recettes.....	5
Service aux clients.....	8
<b>Aux États-Unis : 1 800 851-8900</b>	
<b>Au Canada : 1 800 267-2826</b>	

840098400

# Sécurité de la plaque

## IMPORTANTES INSTRUCTIONS

Lors de l'utilisation d'appareils électroménagers, des précautions fondamentales de sécurité doivent toujours être observées, y compris ce qui suit :

1. Lire toutes les instructions.
2. Ne pas toucher les surfaces chaudes. Utiliser les poignées ou boutons, qui peuvent eux aussi être chauds. Utiliser des gants de cuisine.
3. Pour se protéger contre un choc électrique, ne pas immerger le cordon, la fiche ou le cordon d'alimentation à chaleur variable dans l'eau ou autre liquide.
4. Une bonne surveillance est nécessaire pour tout appareil utilisé par des enfants ou près d'eux.
5. Débrancher l'appareil de la prise de courant électrique lorsqu'il n'est pas utilisé et avant un nettoyage. Le laisser refroidir avant d'y placer ou d'en enlever des pièces et avant un nettoyage.
6. Ne pas faire fonctionner un appareil électroménager avec une fiche ou un cordon endommagé, ou lorsque l'appareil ne fonctionne pas bien ou a été échappé ou endommagé d'une manière quelconque. Composer notre numéro de service aux clients, sans frais d'interurbain, pour des renseignements concernant l'examen, la réparation, ou le réglage.
7. L'utilisation d'accessoires non recommandés par Hamilton Beach/Proctor-Silex peut causer des blessures.
8. Ne pas utiliser à l'extérieur.
9. Ne pas laisser le cordon pendre du bord d'une table ou d'un comptoir, ni toucher des surfaces chaudes, y compris la cuisinière.
10. Ne pas placer l'appareil sur ou près d'un brûleur à gaz chaud, ou d'un élément électrique, ou dans un four chauffé.
11. Une grande précaution doit être prise lors de l'utilisation d'un appareil électroménager contenant de l'huile chaude ou d'autres liquides chauds.
12. Toujours connecter le cordon à l'appareil en premier, puis brancher le cordon sur une prise murale. Pour débrancher l'appareil, mettre tous les boutons en position d'arrêt (MIN) et débrancher la prise du mur.
13. Utiliser seulement le cordon d'alimentation fourni avec l'appareil.
14. Ne pas utiliser l'appareil électroménager à une fin autre que l'utilisation prévue.

## CONSERVER CES INSTRUCTIONS!

### Renseignements de sécurité aux consommateurs

Pour éviter les risques de surcharge électrique, ne pas utiliser en même temps qu'un autre appareil à haute tension sur le même circuit.

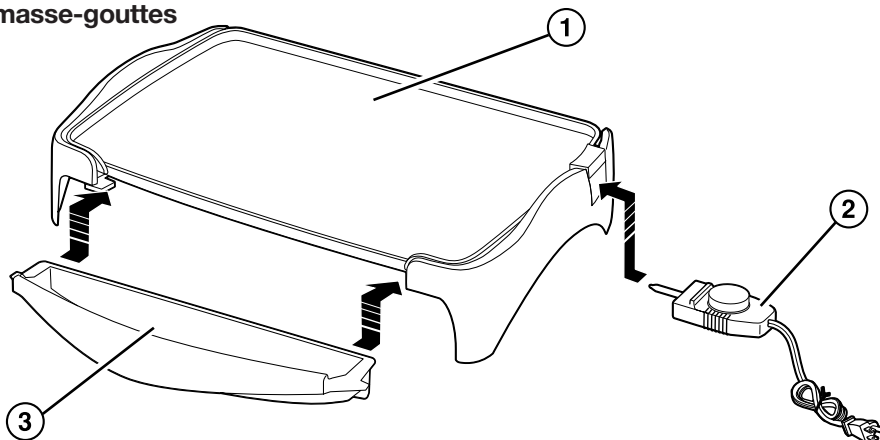
Cet appareil est équipé d'un cordon à 3 fils reliés à la terre (fiche à 3 broches). Ce genre de fiche ne convient qu'à une prise murale à trois alvéoles. C'est une mesure de sécurité visant à réduire les risques de chocs électriques. Si la fiche ne convient pas, faire remplacer la prise désuète par un électricien qualifié. Ne pas essayer d'enlever

ou d'éviter la broche de sécurité de la fiche polarisée d'une façon ou d'une autre.

La longueur du cordon de cet appareil a été choisie de façon à ce que l'on ne risque pas de trébucher dessus. Si un cordon plus long est nécessaire, utiliser une rallonge appropriée. Le calibrage de la rallonge doit être le même que celui de l'appareil ou supérieur et consister en un cordon à trois fils reliés à la terre. Lorsqu'on utilise une rallonge, s'assurer qu'elle ne traverse pas la zone de travail, qu'on ne puisse pas tirer dessus par inadvertance et qu'on ne puisse pas trébucher dessus.

# Pièces et caractéristiques

1. Plaque chauffante antiadhésive
2. Cordon d'alimentation à chaleur variable
3. Ramasse-gouttes



## Avant l'utilisation initiale

Laver la plaque dans de l'eau chaude savonneuse. Bien la rincer et la sécher. La plaque peut également être lavée dans le lave-vaisselle.

## Utilisation de la plaque

1. Toujours utiliser la plaque sur une surface sèche, plane et résistant à la chaleur.
2. S'assurer que le ramasse-gouttes est en place.
3. Régler la commande du cordon d'alimentation à MIN. Connecter le cordon à la plaque.
4. Brancher le cordon sur une prise de courant.
5. Consulter le tableau de cuisson pour choisir le bon réglage de chaleur.
6. Préchauffer la plaque de 5 à 10 minutes jusqu'à ce que la température désirée soit atteinte.
7. Une fois que l'indicateur lumineux de la commande de la température s'éteint, la température de cuisson désirée est atteinte. On peut alors ajouter les aliments sur la plaque. On peut augmenter la chaleur ou la diminuer selon ses préférences personnelles et le type ou la quantité d'aliments à préparer.
8. Une fois la cuisson terminée, retirer les aliments, mettre le bouton de la commande de la température à la position d'arrêt (MIN) et débrancher l'appareil.

### REMARQUES :

- Pour obtenir les meilleurs résultats, espacer les aliments uniformément sur la plaque et ne pas la surcharger.
- Afin de prolonger la durée de vie de la surface antiadhésive, n'utiliser que des ustensiles de cuisine en bois ou en plastique.
- Ne pas déposer de casserole, poêle ou autre vaisselle sur la surface antiadhésive de la plaque.

## Tableau de cuisson

Aliment	Température	Durée de cuisson
Oeufs brouillés	325°F	2 à 3 minutes
Pain doré	350°F	8 à 10 minutes
Sandwiches au fromage fondu	375°F	4 à 5 minutes
Crêpes	375°F	4 à 5 minutes
Hamburgers (1/3 lb chaque)	350°F	15 à 20 minutes
Bacon	350°F	10 à 15 minutes
Chapelets et galettes de saucisses	350°F	15 minutes
Hot Dogs	325°F	15 minutes

## Nettoyage de la plaque

1. Une fois la cuisson terminée, mettre le bouton de commande de la température en position d'arrêt (MIN) et débrancher l'appareil de la prise murale.
2. Laisser refroidir la plaque entièrement. Ôter le cordon d'alimentation. Ôter le ramasse-gouttes en le soulevant puis en le tirant vers soi.
3. Laver la plaque et le ramasse-gouttes à l'eau savonneuse chaude à l'aide d'un tampon de récurage en plastique ou en nylon. Rincer, puis sécher. Ou placer la plaque et le ramasse-gouttes dans le lave-vaisselle.
4. Nettoyer le cordon d'alimentation à chaleur variable avec un linge humide.

**Ne pas utiliser de tampons de récurage en métal ou de détergents abrasifs. On risquerait d'abîmer la surface antiadhésive.**

**▲ AVERTISSEMENT : Pour réduire le risque de choc, ne pas immerger le cordon d'alimentation à chaleur variable dans l'eau ou un autre liquide.**

# Recettes

## L'ABCD des crêpes!

- Contrairement à ce qu'on a souvent tendance à faire, il ne faut pas trop mélanger le mélange à crêpe. Les ingrédients secs et humides devraient être mélangés juste assez pour dire qu'ils sont incorporés. Quelques grumeaux devraient rester. Si le mélange semble trop épais, on peut ajouter un peu de liquide. N'ajouter qu'une cuillère à soupe à la fois du liquide indiqué dans la recette, jusqu'à obtention de la consistance désirée.
- Pour des crêpes parfaites à tout coup, il est également très important de bien préchauffer la plaque. Ainsi, on veillera à ne pas oublier de préchauffer la plaque.
- Une fois le mélange sur la plaque, ne retourner la crêpe qu'une seule fois. Lorsque le dessus de la crêpe est recouvert de bulles, elle est prête à être retournée. Le deuxième côté ne prendra pas autant de temps à cuire.

## Vos crêpes préférées

Préparer votre recette de pâte à crêpes préférées ou un mélange en boîte. Préchauffer la plaque en suivant les instructions. Verser  $\frac{1}{4}$  de tasse du mélange par crêpe sur la plaque. Saupoudrer d'un des ingrédients suivants, puis retourner et laisser cuire. Utiliser les garnitures suggérées ou le sirop habituel.

### Ingrédients :

Petites brisures de chocolat  
Noix de pacane hachées  
Arachides hachées  
Bananes hachées  
Bacon cuit et émietté

### Garnitures :

Crème fouettée  
Sirop d'érable  
Gelée de raisins réchauffée  
Confiture aux fraises  
Oeufs brouillés

## Crêpes

1 tasse de farine	1 oeuf
2 c. à thé de levure chimique	1 tasse de lait
$\frac{1}{2}$ c. à thé de sel	3 c. à soupe de beurre, fondu
2 c. à soupe de sucre	

Préchauffer la plaque à 375°F. Bien mélanger tous les ingrédients dans un bol. Verser  $\frac{1}{4}$  de tasse du mélange par crêpe sur la plaque. Cuire pendant environ 4 à 5 minutes en retournant une fois. **Donne 10 crêpes.**

## Crêpes au babeurre

2 tasses de farine tout usage	$\frac{1}{2}$ c. à thé de sel
3 c. à soupe de sucre	2 tasses de babeurre
1 c. à soupe de levure chimique	3 oeufs

Préchauffer la plaque à 375°F. Mélanger la farine, le sucre, la levure chimique et le sel dans un grand bol. Ajouter le babeurre et les oeufs et mélanger. Ajouter aux ingrédients secs et mélanger. Verser  $\frac{1}{4}$  de tasse du mélange par crêpe sur la plaque. Cuire pendant 3 à 4 minutes environ, en retournant une fois. **Donne 20 à 22 crêpes.**

## Crêpes aux raisins et flocons d'avoine 24 heures

2 tasses de flocons d'avoine à cuisson rapide	2 c. à soupe de sucre
2½ tasses de lait	1 c. à thé de levure chimique
2 oeufs	1 c. à thé de bicarbonate de sodium
¼ tasse d'huile végétale	½ c. à thé de cannelle moulue
½ tasse de farine	½ c. à thé de sel
	½ tasse de raisins

Mélanger les flocons d'avoine, le lait, les oeufs et l'huile. Mélanger la farine, le sucre, la levure chimique, le bicarbonate de sodium, la cannelle et le sel. Ajouter au mélange de flocons d'avoine et remuer pour mélanger. Couvrir et réfrigérer pendant la nuit. Le lendemain matin, ajouter les raisins. Laisser reposer le mélange pendant 10 minutes avant de le cuire. Préchauffer la plaque à 375°F. Verser ¼ de tasse du mélange par crêpe sur la plaque. Cuire pendant environ 5 minutes en retournant une fois. **Donne 16 à 18 crêpes.**

## Crêpes aux pommes et à la mélasse

1½ tasse de lait	2 c. à soupe de mélasse
2 pommes acides telles que Granny Smith, pelées, évidées et coupées en gros morceaux	2 tasses de farine
1 oeuf	1½ c. à thé de levure chimique
4 c. à soupe de beurre, fondu	¼ c. à thé de bicarbonate de sodium
	¼ c. à thé de sel
	¼ c. à thé de cannelle

Préchauffer la plaque à 375°F. Mettre le lait, les morceaux de pomme, l'oeuf, le beurre et la mélasse dans le récipient du mélangeur.\* Mélanger par impulsion ou brièvement (3 à 5 secondes), jusqu'à ce que les pommes soient finement hachées. Dans un grand bol, mélanger la farine, la levure chimique, le bicarbonate de sodium, le sel et la cannelle. Ajouter les ingrédients secs et mélanger. Ajouter le mélange de pommes et de lait et remuer pour mélanger. Le mélange sera épais, mais encore liquide. Verser ¼ de tasse du mélange par crêpe sur la plaque. Cuire pendant 3 à 4 minutes, puis retourner les crêpes et cuire 2 à 3 minutes de plus. **Donne 16 à 18 crêpes.**

\*Si on n'a pas de mélangeur, râper finement les pommes.

## Crêpes au beurre d'arachides et à la gelée

1 tasse de farine	½ tasse de beurre d'arachides
1 c. à soupe de sucre	1 oeuf
2 c. à thé de levure chimique	1 c. à soupe d'huile
½ c. à thé de sel	Gelée ou confiture
1¼ tasse de lait	

Préchauffer la plaque à 350°F. Mélanger la farine, le sucre, la levure chimique et le sel. Dans un autre bol, mélanger le lait, le beurre d'arachides, l'oeuf et l'huile. Ne pas trop mélanger, puis ajouter aux ingrédients secs. Verser ¼ de tasse du mélange par crêpe sur la plaque. Cuire pendant environ 5 minutes en retournant une fois. Servir avec de la gelée ou de la confiture. **Donne 14 à 16 crêpes.**

## Crêpes aux bleuets

2½ tasses de farine	2 oeufs
1 c. à thé de sel	2 tasses de lait
1 c. à soupe de levure chimique	1½ tasse de bleuets congelés;
2 c. à soupe de sucre	décongelés, rincés et séchés sur des
1 cuillère à soupe d'huile végétale	essuie-tout

Préchauffer la plaque à 375°F. Dans un grand bol, mélanger la farine, le sel, la levure chimique et le sucre. Dans un petit bol, battre l'huile, les oeufs et le lait. Ajouter au mélange de farine. Incorporer les bleuets. Verser ¼ de tasse de mélange par crêpe sur la plaque. Cuire pendant environ 5 minutes en retournant une fois. **Donne 20 à 24 crêpes.**

## Pain doré

1 c. à soupe de beurre	½ c. à thé de vanille
4 oeufs	¼ c. à thé de cannelle
½ c. à thé de sel	8 tranches de pain
1 tasse de lait	

Préchauffer la plaque à 350°F. Faire fondre le beurre sur la plaque. Mélanger les oeufs, le sel, le lait, la vanille et la cannelle dans un grand bol. Une à la fois, tremper les tranches de pain dans le mélange aux oeufs pour en recouvrir entièrement les deux côtés. Déposer le pain sur la plaque et frire jusqu'à ce que le pain soit doré, soit environ 5 minutes de chaque côté. **Donne 8 tranches.**

## Rôties de campeur aux oeufs et à la cannelle

4 tranches de pain	1 c. à thé de cannelle
Beurre ramolli ou margarine	4 oeufs
1 c. à soupe de sucre	Sel et poivre

Préchauffer la plaque à 325°F. Beurrer légèrement les deux côtés de chaque tranche de pain. Couper ou déchirer un trou de 3 po au milieu de chaque tranche de pain (le trou doit être assez gros pour que l'oeuf versé au milieu touche la plaque). Ne pas jeter les centres du pain. Dans un petit bol, mélanger le sucre et la cannelle. Saupoudrer de ce mélange les deux côtés et les centres de chaque tranche de pain. Déposer le pain et les centres sur la plaque et cuire pendant environ 2 minutes. Retourner les tranches de pain et les centres. Casser un oeuf dans chacun des quatre trous. Assaisonner de sel et de poivre. Cuire pendant environ 4 minutes ou jusqu'à consistance désirée. Retourner à nouveau si désiré. Servir avec les centres déposés sur l'oeuf. **Donne 4 portions.**

## Johnnycakes

1½ tasse de semoule de maïs moulue sur pierre	1 c. à thé de sucre
1 c. à thé de sel	2½ tasses d'eau bouillante

Préchauffer la plaque à 325°F. Mélanger la semoule de maïs, le sel et le sucre dans un grand bol. En remuant constamment, verser lentement l'eau bouillante dans le bol. Laisser reposer le mélange pendant 10 minutes. Le mélange devrait être épais, sans toutefois être dur. Verser ¼ tasse de mélange par gâteau sur la plaque. Les gâteaux devraient être épais (environ ¾ po) et d'un diamètre maximal de 3 po. Cuire jusqu'à ce que le dessous soit bien doré, soit environ 6 à 11 minutes. Retourner les gâteaux et cuire pendant encore 6 à 11 minutes. **Donne environ 10 gâteaux.**

## *Service aux clients*

Composer nos numéros de service aux clients sans frais d'interurbain. Prière de noter le modèle, le type et le numéro de série inscrits sur le cordon d'alimentation à chaleur variable et d'avoir l'appareil à côté de soi lors de l'appel. Ceci nous aidera à mieux répondre à vos questions.

### **GARANTIE LIMITÉE**

Ce produit est garanti exempt de vices de matériau et de fabrication pendant une période de deux (2) ans pour les produits Hamilton Beach Portfolio ou pendant un (1) an pour les produits Hamilton Beach à partir de la date de l'achat original, excepté ce qui est noté ci-dessous. Au cours de cette période, nous réparerons ou remplacerons ce produit sans frais, à notre discrétion. LA GARANTIE CI-DESSUS REMPLACE TOUTE AUTRE GARANTIE EXPRESSE OU IMPLICITE, ÉCRITE OU ORALE, Y COMPRIS TOUTE GARANTIE DE QUALITÉ MARCHANDE OU DE CONFORMITÉ À UNE FIN PARTICULIÈRE. TOUTE RESPONSABILITÉ EST EXPRESSÉMENT LIMITÉE À UN MONTANT ÉGAL AU PRIX D'ACHAT PAYÉ ET TOUTES LES RÉCLAMATIONS POUR DOMMAGES SPÉCIAUX ET INDIRECTS SONT PAR LES PRÉSENTES EXCLUES.

La garantie ne s'applique pas aux accessoires suivants qui pourraient être vendus avec ce produit : pièces en verre, récipients en verre, couteau/tamis, lames et/ou agitateurs. Cette garantie ne s'applique qu'à l'acheteur d'origine et ne couvre pas un vice causé par l'abus, le mésusage, la négligence, l'usage à des fins commerciales ou tout autre usage non prescrit dans le mode d'emploi. Cette garantie vous confère des droits juridiques spécifiques et vous pouvez aussi jouir d'autres droits juridiques qui peuvent varier d'un État à un autre ou d'une province à une autre. Certains États ou provinces ne permettent pas les limitations sur les garanties implicites ou les dommages spéciaux ou indirects de telle sorte que les limitations ci-dessus ne s'appliquent peut-être pas dans votre cas.

Si vous désirez procéder à une réclamation en vertu de cette garantie, NE RETOURNEZ PAS L'APPAREIL AU MAGASIN! Veuillez téléphoner au NUMÉRO DU SERVICE À LA CLIENTÈLE. (Pour un service plus rapide, ayez à portée de la main les numéros de série et de modèle et de type de votre appareil lorsque vous communiquez avec un représentant.)

### **NUMÉROS DU SERVICE À LA CLIENTÈLE**

Aux États-Unis 1-800-851-8900

Au Canada 1-800-267-2826

Adresse du site Web : [www.hamiltonbeach.com](http://www.hamiltonbeach.com)

**CONSERVEZ CES NUMÉROS POUR RÉFÉRENCE ULTÉRIEURE!**

HAMILTON BEACH ♦ PROCTOR-SILEX, INC.

263 Yadkin Road  
Southern Pines, North Carolina 28387

840098400

Adresse du site Web : [www.hamiltonbeach.com](http://www.hamiltonbeach.com)

PROCTOR-SILEX CANADA, INC.

Picton, Ontario K0K 2T0

3/02