

# *Grizzly* *Industrial, Inc.*®

## MODEL H8210 10 PIECE AIR HAMMER KIT INSTRUCTION MANUAL



COPYRIGHT © AUGUST, 2007 BY GRIZZLY INDUSTRIAL, INC.  
WARNING: NO PORTION OF THIS MANUAL MAY BE REPRODUCED IN ANY SHAPE  
OR FORM WITHOUT THE WRITTEN APPROVAL OF GRIZZLY INDUSTRIAL, INC.  
#JM9801 PRINTED IN CHINA

 **WARNING!**

**This manual provides critical safety instructions on the proper setup, operation, maintenance and service of this machine/equipment.**

**Failure to read, understand and follow the instructions given in this manual may result in serious personal injury, including amputation, electrocution or death.**

**The owner of this machine/equipment is solely responsible for its safe use. This responsibility includes but is not limited to proper installation in a safe environment, personnel training and usage authorization, proper inspection and maintenance, manual availability and comprehension, application of safety devices, blade/cutter integrity, and the usage of personal protective equipment.**

**The manufacturer will not be held liable for injury or property damage from negligence, improper training, machine modifications or misuse.**

 **WARNING!**

**Some dust created by power sanding, sawing, grinding, drilling, and other construction activities contains chemicals known to the State of California to cause cancer, birth defects or other reproductive harm. Some examples of these chemicals are:**

- **Lead from lead-based paints.**
- **Crystalline silica from bricks, cement and other masonry products.**
- **Arsenic and chromium from chemically-treated lumber.**

**Your risk from these exposures varies, depending on how often you do this type of work. To reduce your exposure to these chemicals: Work in a well ventilated area, and work with approved safety equipment, such as those dust masks that are specially designed to filter out microscopic particles.**

# SAFETY

## **WARNING**

### **For Your Own Safety Read Instruction Manual Before Operating This Equipment**

The purpose of safety symbols is to attract your attention to possible hazardous conditions. This manual uses a series of symbols and signal words which are intended to convey the level of importance of the safety messages. The progression of symbols is described below. Remember that safety messages by themselves do not eliminate danger and are not a substitute for proper accident prevention measures.



Indicates an imminently hazardous situation which, if not avoided, **WILL** result in death or serious injury.



Indicates a potentially hazardous situation which, if not avoided, **COULD** result in death or serious injury.



Indicates a potentially hazardous situation which, if not avoided, **MAY** result in minor or moderate injury. It may also be used to alert against unsafe practices.

**NOTICE**

This symbol is used to alert the user to useful information about proper operation of the equipment.

## **WARNING**

### **Safety Instructions For Pneumatic Tools**

- 1. READ THIS MANUAL.** This tool may cause personal injury if used incorrectly. This manual contains proper safety and operating instructions that must be followed to reduce this risk.
- 2. WEAR EYE PROTECTION.** This tool may throw small fragments during operation, which may cause serious eye injury. Always wear ANSI approved safety glasses or face shield to reduce your risk from this hazard.
- 3. WEAR A RESPIRATOR.** This tool may produce fine dust during operation, which can cause respiratory injury if inhaled. Always wear a respirator NIOSH approved for the type of material being processed.
- 4. WEAR HEARING PROTECTION.** Operating this tool for prolonged time periods may damage your hearing. Your risk depends on length and frequency of use. To reduce your risk of this hazard, wear hearing protection.
- 5. MAINTAIN SAFETY GUARDS.** Your tool may be equipped with safety guards or other structural components designed to reduce the risk of injury during operation. Never modify or operate this tool with any guards or components removed or damaged.
- 6. KEEP CHILDREN AWAY.** Prevent children from injury by keeping them away from this tool. Disconnect and lock the tool away when not in use.

7. **AVOID ENTANGLEMENTS.** Do not wear loose clothing, gloves, neckties, rings, bracelets, or other jewelry, which may get caught in moving parts, when operating this tool. Wear a protective hair covering to contain long hair.
8. **USE CORRECT AIR PRESSURE.** Exceeding the maximum PSI rating of this tool may cause unpredictable operation or bursting.
9. **DISCONNECT AIR PRESSURE** before servicing, changing accessories, or moving to another location. Never leave this tool unattended when connected to air.
10. **SECURE TOOLING.** Always verify tooling is secure before operation.
11. **SHARP SURFACES.** DO NOT place hands near the tooling surfaces when in operation.
12. **REMOVE ADJUSTING KEYS AND WRENCHES AFTER USE.** These tools become dangerous projectiles if left on the tool when it is started.
13. **AVOID FLAMMABLES.** Do not use this tool around any flammables that may be ignited by sparks.
14. **SECURE WORK.** Use clamps or a vise to hold work when practical. It is safer than using your hand and frees both hands to operate tool.
15. **MAINTAIN TOOLS WITH CARE.** Keep tools lubricated and clean for best and safest performance. Follow instructions for lubricating and changing accessories.
16. **DO NOT FORCE TOOL.** It will do the job better and safer at the rate for which it was designed.
17. **CHECK FOR DAMAGED PARTS BEFORE USING.** Check for binding and alignment of parts, broken parts, part mounting, loose bolts, and any other conditions that may affect operation. Repair or replace damaged parts before operating.
18. **USE GOOD LIGHTING.** Keep work area well lighted. Dark work areas increase risk of accidental injury.
19. **AVOID UNINTENTIONAL OPERATION.** Always disconnect air when not in use, and do not carry tool with hand on trigger.
20. **USE THE RECOMMENDED ACCESSORIES.** Consult owner's manual for recommended accessories. Using improper accessories may increase the risk of injury.
21. **NEVER ALLOW UNTRAINED USERS TO USE THIS TOOL WHILE UNSUPERVISED.**
22. **IF YOU ARE UNSURE OF THE INTENDED OPERATION, STOP USING TOOL.** Seek formal training or research books or magazines that specialize in pneumatic tools.
23. **BE AWARE OF HOSE LOCATION.** Hoses can easily become a tripping hazard when laid across the floor in a disorganized fashion.
24. **DO NOT USE UNDER THE INFLUENCE OF DRUGS OR ALCOHOL, OR WHEN TIRED.**

# INTRODUCTION

## Foreword

The specifications, details, and photographs in this manual represent the Model H8210 as supplied when the manual was prepared. However, owing to Grizzly's policy of continuous improvement, changes may be made at any time with no obligation on the part of Grizzly.

If you have any comments regarding this manual, please write to us at the following address:

Grizzly Industrial, Inc.  
C/O Technical Documentation  
P.O. Box 2069  
Bellingham, WA 98227-2069  
E-Mail: manuals@grizzly.com

Most importantly, we stand behind our tools. If you have any service questions or parts requests, please call or write us at the location listed below.

Grizzly Industrial, Inc.  
1203 Lycoming Mall Circle  
Muncy, PA 17756  
Phone: (570) 546-9663  
Fax: (800) 438-5901  
E-Mail: techsupport@grizzly.com  
Web Site: <http://www.grizzly.com>

## Specifications

Bit Size.....10mm (<sup>13</sup>/<sub>32</sub>" )  
Bore Diameter.....<sup>3</sup>/<sub>4</sub>"  
Blows Per Minute.....4,500 BPM  
Air Consumption.....5 CFM  
Air Inlet.....<sup>1</sup>/<sub>4</sub>"  
Required PSI.....90 PSI  
Maximum Sound Level.....108 dB  
Weight.....4 lbs



Figure 1. H8210 Inventory

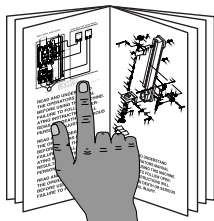
Model H8210 Inventory	Qty
A. Case.....	1
B. Bits .....	5
C. Air Gun.....	1
D. Retainer Spring.....	1
E. <sup>1</sup> / <sub>4</sub> " NPT Male Quick Connect Fitting	1
F. Oil Bottle .....	1

## CAUTION

No list of safety guidelines can be complete. Every shop environment is different. Always consider safety first, as it applies to your individual working conditions. Use this air hammer and other machinery with caution and respect. Failure to do so could result in serious personal injury, damage to equipment, or poor work results.

# OPERATIONS

## **!WARNING**



Read the manual before operation. Become familiar with this tool, its safety instructions, and its operation before beginning any work. Serious personal injury may result if safety or operational information is not understood or followed.

## Installing Bits

The Model H8210 uses bits with a  $\frac{13}{32}$ " (10mm) diameter shaft. See the Grizzly catalog or [www.grizzly.com](http://www.grizzly.com) for a complete listing of available bits and accessories.

## **!WARNING**

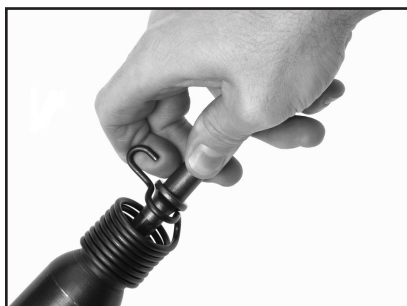
Like all tools there is potential danger when operating this tool. Accidents are frequently caused by lack of familiarity or failure to pay attention. If normal safety precautions are overlooked or ignored, serious personal injury may occur.

### To install a bit:

1. DISCONNECT THE AIR HAMMER FROM AIR SUPPLY!
2. Thread the retainer spring on the air hammer cylinder.

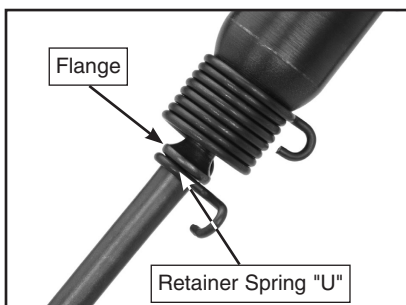
3. Insert the bit by bending the retainer spring out of the way of the cylinder bore and slide the bit in as shown in **Figure 2**.

**Note:** If you have difficulty bending the retainer spring to fit the bit, remove the spring and insert the bit into the spring prior to threading it on the hammer.



**Figure 2.** Bit installation.

4. Relax the retainer spring so the "U" sits in front of the bit flange to hold the bit in place, as shown in **Figure 3**.



**Figure 3.** Bit installation position.

<b>⚠ WARNING</b>	
	<b>EYE INJURY HAZARD!</b> Wear protective equipment when using this tool.

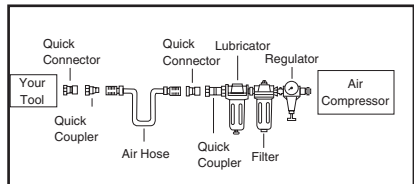
To use the air hammer:

1. Attach the 1/4" NPT male quick connect fitting to the air inlet plug.
2. Attach the air hammer to an air supply set at 90 PSI.
3. Hold the air hammer securely.
4. Use the trigger to **START** and **STOP** the air hammer.
5. To avoid accidental starting, disconnect air hammer from air supply when not in use.

<b>⚠ WARNING</b>	
	<b>EAR/LUNG INJURY HAZARD!</b> Wear protective equipment when using this tool.
	<b>ACCIDENTAL START HAZARD!</b> Disconnect before service or tool changes.
	<b>AIR PRESSURE HAZARD!</b> Never exceed max PSI rating for tool.

### Daily Maintenance

The air hammer **MUST** have 2-6 drops of oil directly dropped into the air fitting before each use. In addition, we recommend using an in-line filter, lubricator, and regulator as shown in **Figure 4**.

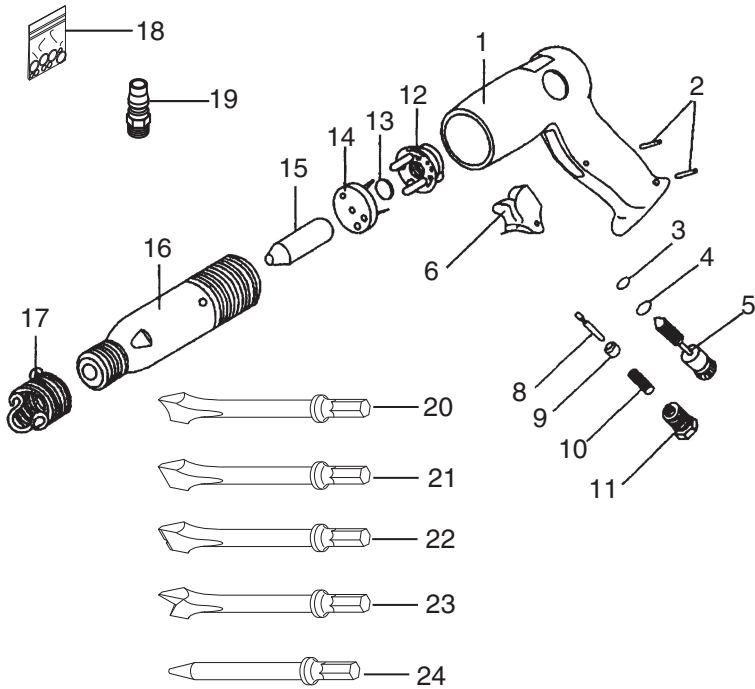


**Figure 4.** Installed filter lubricator regulator.

**These procedures should be done after each use:**

- Wipe the motor housing and tool bits with a dry cloth, or blow off the dust and debris with compressed air.
- Check for damage to tooling, hoses, housing or other accessories. Promptly fix if damage is found before using again.

# H8210 PARTS LIST



REF PART #	DESCRIPTION
1	PH8210001 HANDLE
2	PRP37M ROLL PIN 3 X 14
3	PORP008 O-RING 7.8 X 1.9 P8
4	PORP008 O-RING 7.8 X 1.9 P8
5	PH8210005 REGULATOR
6	PH8210006 TRIGGER
8	PH8210008 PIN
9	PH8210009 PIN SEAT
10	PH8210010 THROTTLE SPRING
11	PH8210011 HOSE ADAPTOR
12	PH8210012 UPPER VALVE CASE
13	PH8210013 VALVE DISC

REF PART #	DESCRIPTION
14	PH8210014 LOWER VALVE DISC
15	PH8210015 PISTON
16	PH8210016 CYLINDER
17	PH8210017 RETAINER SPRING
18	PH8210018 O-RING KIT
19	PH8210019 1/4" NPT MALE AIR FITTING
20	PH8210020 CURVED-SPADE BIT
21	PH8210021 SPADE BIT
22	PH8210022 NOTCHED-SPADE BIT
23	PH8210023 FORKED-SPADE BIT
24	PH8210024 CONE BIT