



MODEL H0759 RED SHELF CART— 2 SHELVES INSTRUCTIONS

The Model H0759 is convenient for all around shop use. This utility cart can tote around tools, parts, or inventory and requires a very small foot print.

Specifications

Weight	29 lbs.
Load Capacity	220 lbs.
Dimensions.....	16"W x 29½"L x 34"H
Top Shelf Height.....	29¼"
Distance Between Shelves.....	16"
Shelf Depth.....	3½"

Inventory (Figure 1)

A.	Top Shelf.....	1
B.	Bottom Shelf.....	1
C.	Handles	2
D.	Locking Swivel Casters	2
E.	Swivel Casters.....	2
F.	Hardware Bag	1
	—Slotted Screws M6-1 x 35.....	24
	—Hex Nuts M6-1.....	24
	—Flat Washers 6mm	24
	—Lock Washers 6mm.....	24

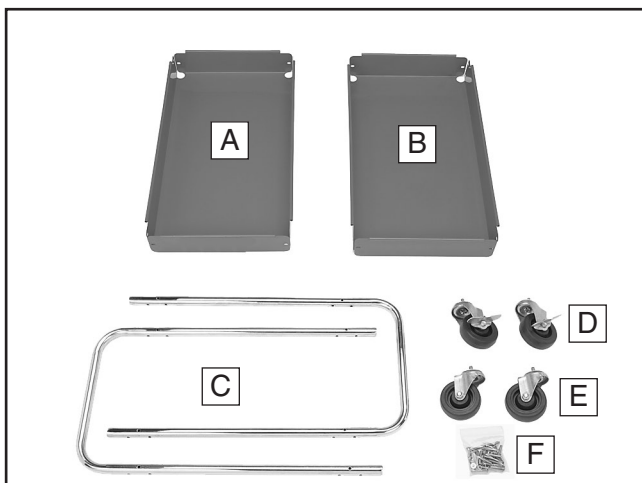


Figure 1. H0759 inventory.

Recommended Tools

Wrench/Socket 10mm	1
Wrench/Socket 17mm.....	1
Standard Screwdriver.....	1

Assembly

1. Insert the two handles through the holes at either end of the top shelf (see **Figure 2**).

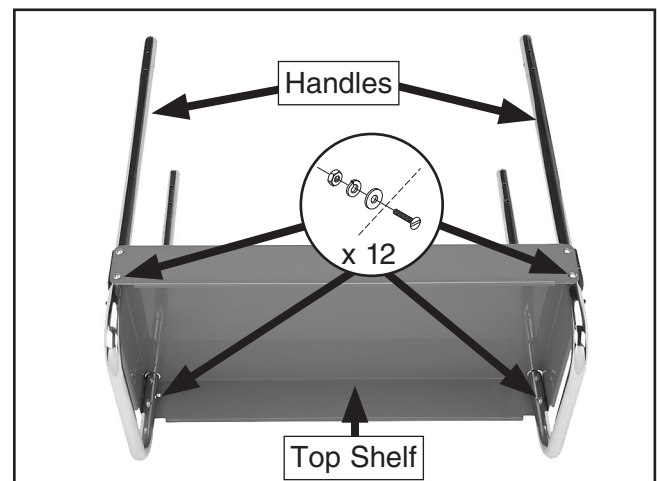


Figure 2. Handles secured to top shelf.

2. Align the mounting holes in the top shelf and handles, then fasten with (12) M6-1 x 35 slotted screws, flat washers, lock washers, and hex nuts (see **Figure 2**). Position the slotted screws on the shelf exterior and the washers and hex nuts on the shelf interior. Finger tighten the fasteners for now.

COPYRIGHT © JULY, 2008 BY GRIZZLY INDUSTRIAL, INC.

WARNING: NO PORTION OF THIS MANUAL MAY BE REPRODUCED IN ANY SHAPE OR FORM WITHOUT THE WRITTEN APPROVAL OF GRIZZLY INDUSTRIAL, INC.

#BL10947 PRINTED IN CHINA

3. Insert the bottom shelf (see **Figure 3**) through the handles and fasten in a similar manner to **Step 2**.

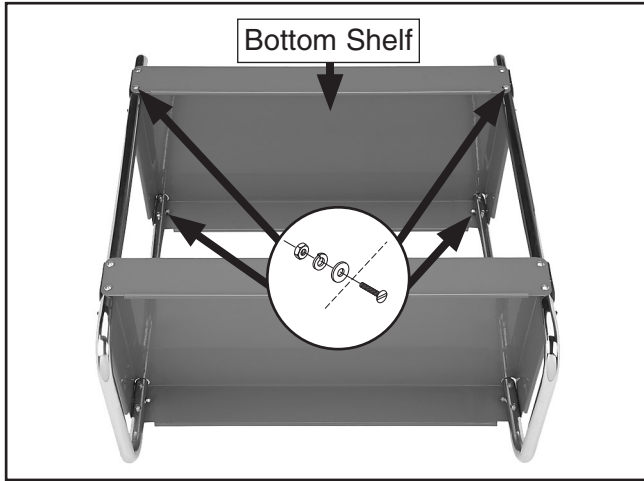


Figure 3. Bottom shelf installed.

4. Thread the swivel casters onto one handle end, then thread the locking swivel casters onto the end of the other handle (see **Figure 4**).

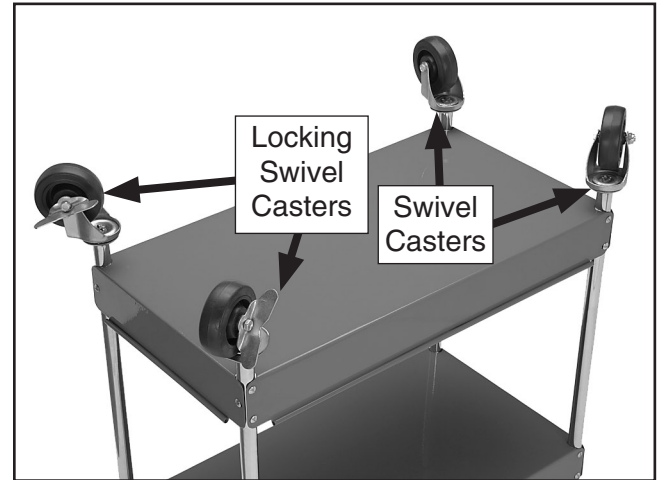
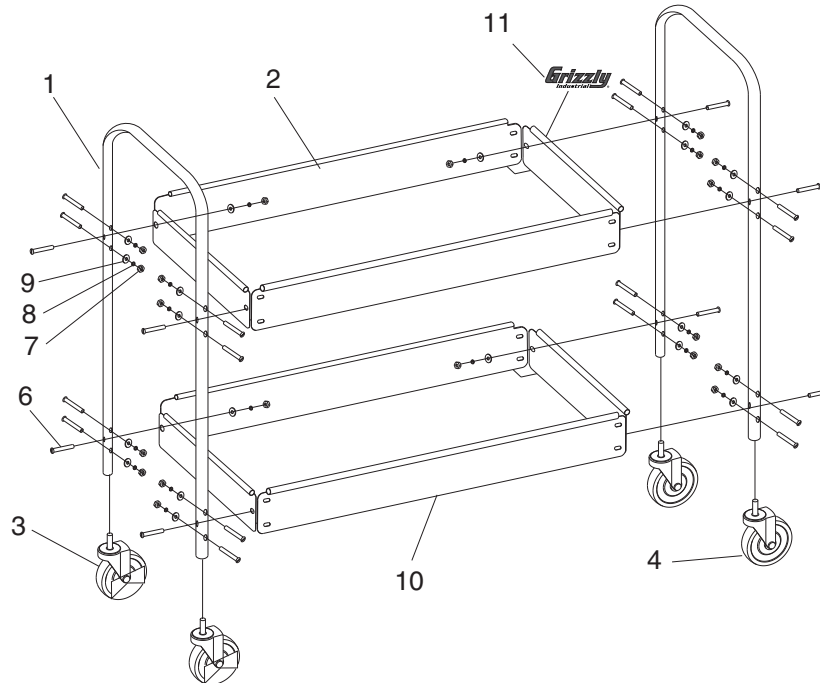


Figure 4. Casters installed.

5. Final tighten all of the fasteners.

If you need help with your cart, call our Tech Support at: (570) 546-9663.

H0759 Parts Breakdown and List



REF	PART #	DESCRIPTION
1	PH0759001	HANDLE
2	PH0759002	TOP SHELF
3	PH0760003	LOCKING SWIVEL WHEEL
4	PH0760004	SWIVEL WHEEL
6	PH0759006	SLOTTED SCREW M6-1 X 35

REF	PART #	DESCRIPTION
7	PN01M	HEX NUT M6-1
8	PLW03M	LOCK WASHER 6MM
9	PW03M	FLAT WASHER 6MM
10	PH0759010	BOTTOM SHELF
11	PH0759011	GRIZZLY LOGO

