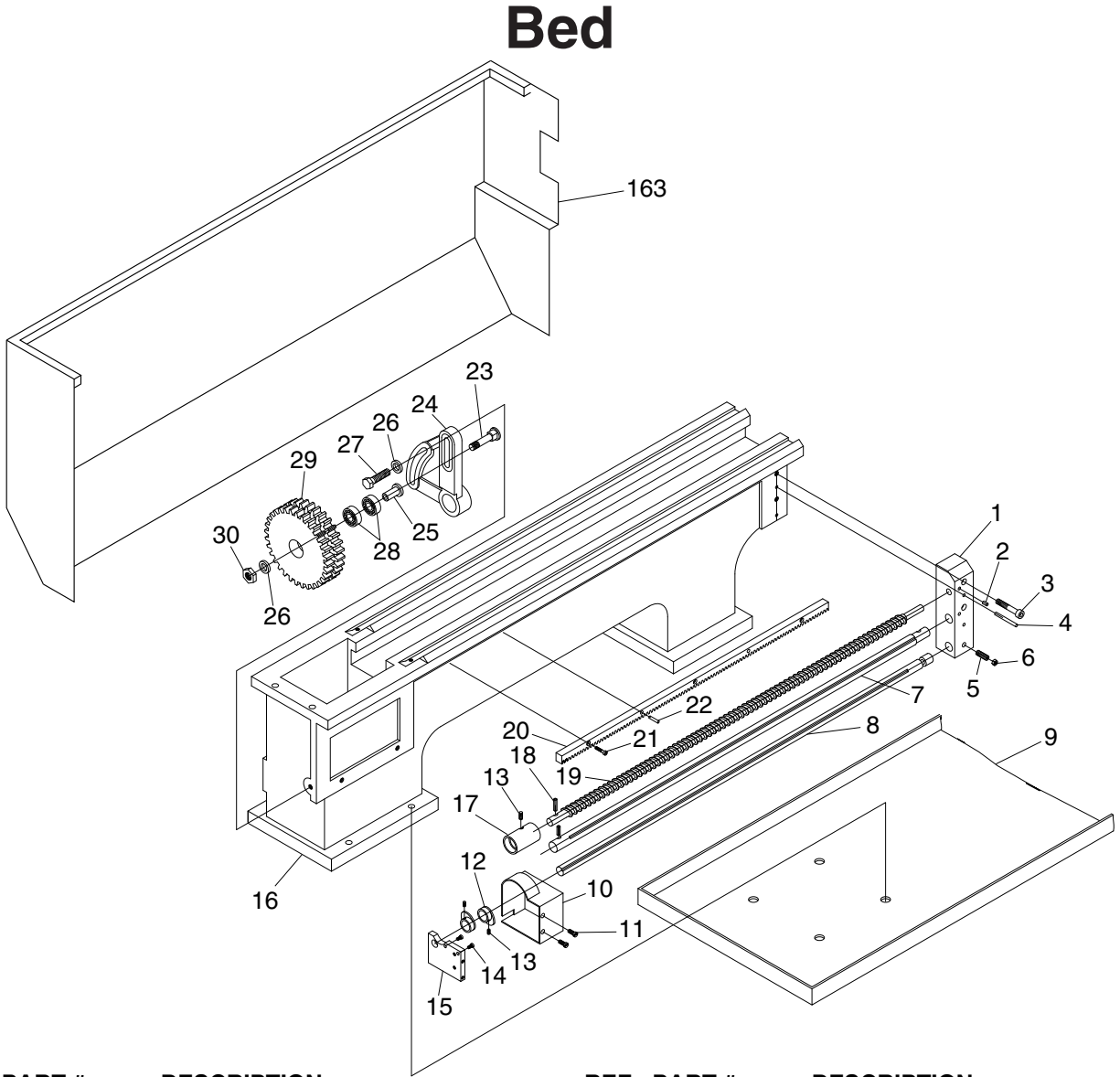


SECTION 9: PARTS

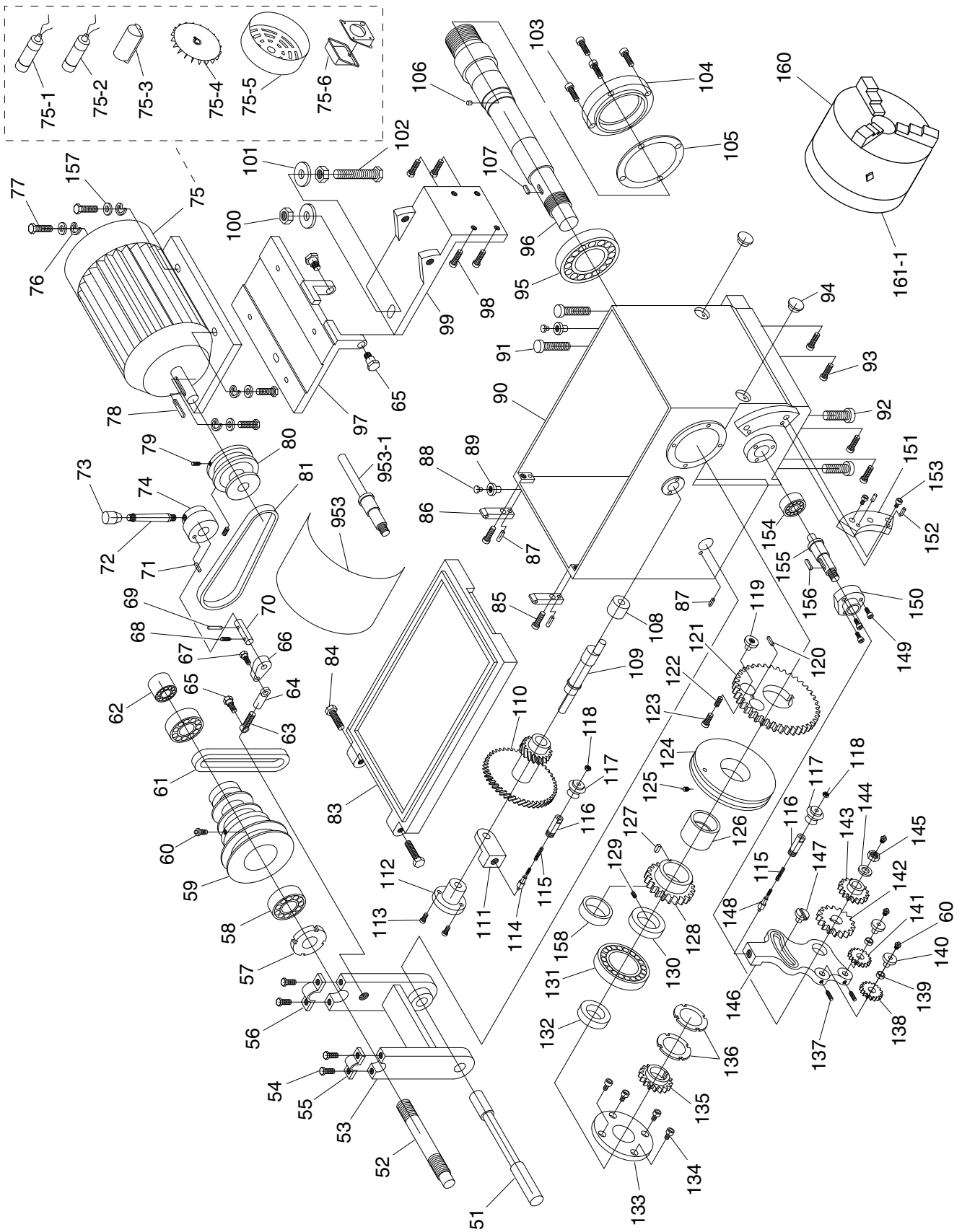


| REF | PART # | DESCRIPTION |
|-----|----------|------------------------|
| 1 | P9249001 | ROD END CAP |
| 2 | P9249002 | BALL OILER |
| 3 | PSB05M | CAP SCREW M8-1.25 X 50 |
| 4 | PRP30M | ROLL PIN 5 X 50 |
| 5 | PSS09M | SET SCREW M8-1.25 X 20 |
| 6 | PN03M | HEX NUT M8-1.25 |
| 7 | P9249007 | FEED ROD |
| 8 | P9249008 | SPINDLE DIRECTION ROD |
| 9 | P9249009 | CHIP PAN |
| 10 | P9249010 | SWITCH COVER |
| 11 | PS14M | PHLP HD SCR M6-1 X 12 |
| 12 | P9249012 | ECCENTRIC BRACKET |
| 13 | PSS02M | SET SCREW M6-1 X 6 |
| 14 | PSB26M | CAP SCREW M6-1 X 12 |
| 15 | P9249015 | SWITCH BRACKET |
| 16 | P9249016 | BED |

| REF | PART # | DESCRIPTION |
|-----|----------|-----------------------|
| 17 | P9249017 | LEADSCREW BUSHING |
| 18 | PRP05M | ROLL PIN 5 X 30 |
| 19 | P9249019 | CARRIAGE LEADSCREW |
| 20 | P9249020 | RACK |
| 21 | PSB02M | CAP SCREW M6-1 X 20 |
| 22 | PRP05M | ROLL PIN 5 X 30 |
| 23 | P9249023 | SHAFT |
| 24 | P9249024 | BRACKET |
| 25 | P9249025 | BEARING SLEEVE |
| 26 | PW04M | FLAT WASHER 10MM |
| 27 | PB31M | HEX BOLT M10-1.5 x 40 |
| 28 | P6003 | BALL BEARING 6003ZZ |
| 29 | P9249029 | CHANGE GEAR 120/127T |
| 30 | P9249030 | SPECIAL NUT M10-1.5 |
| 163 | P9249163 | BACKSPLASH |



Headstock



Headstock Parts List

| REF | PART # | DESCRIPTION |
|------|------------|-------------------------------------|
| 51 | P9249051 | BRACKET AXLE |
| 52 | P9249052 | IDLER PULLEY SHAFT |
| 53 | P9249053 | IDLER BRACKET |
| 54 | PB107M | HEX BOLT M5-.8 X 12 |
| 55 | P9249055 | BRACKET CAP SMALL |
| 56 | P9249056 | BRACKET CAP LARGE |
| 57 | P9249057 | SPANNER NUT M10-1.0 |
| 58 | P6005 | BALL BEARING 6005ZZ |
| 59 | P9249059 | IDLER PULLEY |
| 60 | P9249002 | BALL OILER |
| 61 | PVB38 | V-BELT B-38 5L380 |
| 62 | P9249062 | SPECIAL LOCK NUT |
| 63 | P9249063 | SPECIAL BOLT M5-.8 X 20 |
| 64 | P9249064 | ADJUSTABLE NUT M5-.8 |
| 65 | P9249065 | SPECIAL BOLT M5-.8 X 16 |
| 66 | P9249066 | ECCENTRIC ARM |
| 67 | PB95M | HEX BOLT M5-.8 X 16 |
| 68 | PSS14M | SET SCREW M8-1.25 X 12 |
| 69 | PRP28M | ROLL PIN 5 X 40 |
| 70 | P9249070 | SHAFT |
| 71 | PRP94M | ROLL PIN 5 X 14 |
| 72 | P9249072 | HANDLE |
| 73 | P9249073 | KNOB M10-1.5 X 50 |
| 74 | P9249074 | HANDLE HUB |
| 75 | P9249075 | MOTOR 2HP 220V 60HZ 1PH |
| 75-1 | PC200A | S CAPACITOR 200M 250V 1-3/8 X 2-3/4 |
| 75-2 | PC20A | R CAPACITOR 20M 400V 1-5/8 X 2-3/4 |
| 75-3 | P9249075-3 | CAPACITOR COVER |
| 75-4 | P9249075-4 | MOTOR FAN |
| 75-5 | P9249075-5 | MOTOR FAN COVER |
| 75-6 | P9249075-6 | MOTOR WIRING JUNCTION BOX |
| 76 | PLW04M | LOCK WASHER 8MM |
| 77 | PB07M | HEX BOLT M8-1.25 X 25 |
| 78 | PK142M | KEY 6 X 6 X 32 |
| 79 | PSS06M | SET SCREW M8-1.25 X 16 |
| 80 | P9249080 | MOTOR PULLEY |
| 81 | P9249081 | V-BELT B-813 |
| 83 | P9249083 | GEARBOX COVER |
| 84 | PB20M | HEX BOLT M8-1.25 X 35 |
| 85 | PSB14M | CAP SCREW M8-1.25 X 20 |

| REF | PART # | DESCRIPTION |
|-----|----------|---------------------------------|
| 86 | P9249086 | HINGE |
| 87 | PRP49M | ROLL PIN 5 X 25 |
| 88 | P9249088 | PLUG |
| 89 | P9249089 | PLUG BASE |
| 90 | P9249090 | HEADSTOCK CASTING |
| 91 | PSB84M | CAP SCREW M10-1.5 X 35 |
| 92 | PSB72M | CAP SCREW M10-1.5 X 30 |
| 93 | PSB13M | CAP SCREW M8-1.25 X 30 |
| 94 | P9249094 | SIGHT GLASS |
| 95 | P7211 | BEARING D-7211 |
| 96 | P9249096 | SPINDLE |
| 97 | P9249097 | MOTOR MOUNT |
| 98 | PSB13M | CAP SCREW M8-1.25 X 30 |
| 99 | P9249099 | MOTOR BASE PLATE |
| 100 | PN09M | HEX NUT M12-1.75 |
| 101 | PW06M | FLAT WASHER 12MM |
| 102 | PB43M | HEX BOLT M12-1.75 X 75 |
| 103 | PSB14M | CAP SCREW M8-1.25 X 20 |
| 104 | P9249104 | SPINDLE FRONT COVER |
| 105 | P9249105 | PAPER WASHER 10MM |
| 106 | P9249106 | KEY 8 X 14 |
| 107 | PK144M | KEY 6 X 6 X 16 |
| 108 | P9249108 | BACK GEAR BUSHING |
| 109 | P9249109 | BACK GEAR SHAFT |
| 110 | P9249110 | BACK GEAR 24/58T |
| 111 | P9249111 | BACK GEAR BRACKET |
| 112 | P9249112 | BACK GEAR MOUNT |
| 113 | PSB04M | CAP SCREW M6-1 X 10 |
| 114 | P9249114 | LOCKING PIN |
| 115 | P9249115 | COMPRESSION SPRING .8 X 5 X 1.5 |
| 116 | P9249116 | HANDLE |
| 117 | P9249117 | KNOB |
| 118 | PN01M | HEX NUT M6-1 |
| 119 | P9249119 | FIGURED FLAT NUT M8-1.25 |
| 120 | PRP02M | ROLL PIN 3 X 16 |
| 121 | P9249121 | HELICAL GEAR |
| 122 | P9249122 | COMPRESSION SPRING 1 X 5 X 1.5 |
| 123 | P9249123 | LOCKING PIN |
| 124 | P9249124 | SPINDLE PULLEY |
| 125 | PSS01M | SET SCREW M6-1 X 10 |



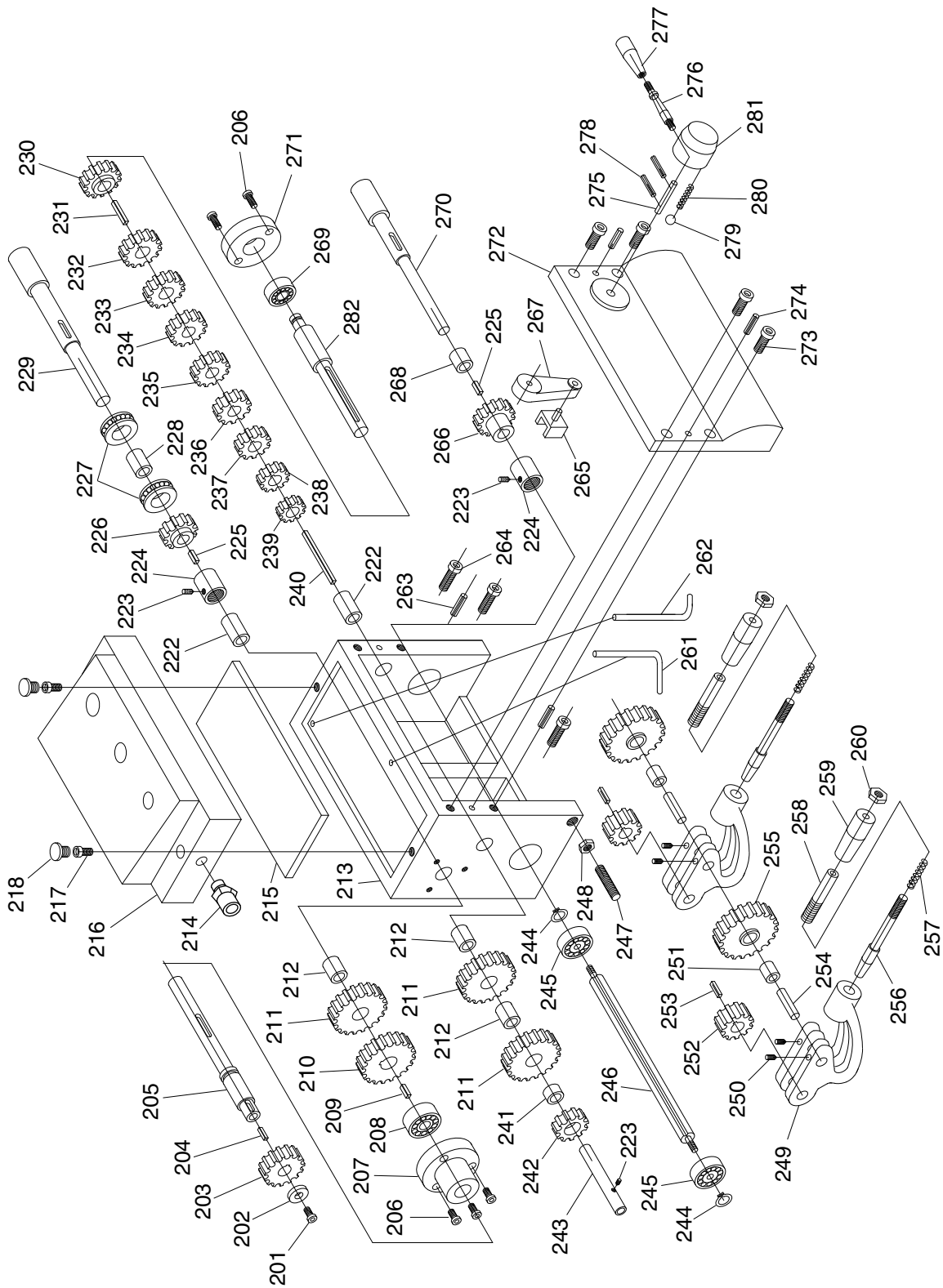
Headstock Parts List

| REF | PART # | DESCRIPTION |
|-----|----------|------------------------------|
| 126 | P9249126 | BUSHING |
| 127 | PK107M | KEY 8 X 8 X 20 |
| 128 | P9249128 | HELICAL GEAR 39T |
| 129 | PSS16M | SET SCREW M8-1.25 X 10 |
| 130 | P9249130 | COLLAR |
| 131 | P30210 | TAPERED ROLLER BEARING 30210 |
| 132 | P9249132 | BUSHING |
| 133 | P9249133 | SPINDLE BACK COVER |
| 134 | PSB11M | CAP SCREW M8-1.25 X 16 |
| 135 | P9249135 | SPUR GEAR 40T |
| 136 | P9249136 | SPANNER NUT M45 X 1.5 |
| 137 | PSS04M | SET SCREW M6-1 X 12 |
| 138 | P9249138 | SPUR GEAR 30T |
| 139 | P9249139 | BUSHING |
| 140 | P9249140 | AXLE |
| 141 | P9249141 | SPUR GEAR 25T |
| 142 | P9249142 | SPUR GEAR 50T |
| 143 | P9249143 | GEAR 40T |
| 144 | PW14M | FLAT WASHER 15MM |

| REF | PART # | DESCRIPTION |
|-------|------------|-------------------------|
| 145 | PN09M | HEX NUT M12-1.75 |
| 146 | P9249146 | BRACKET |
| 147 | P9249147 | SPECIAL SCREW M5-.8 X 5 |
| 148 | P9249148 | LOCKING PIN |
| 149 | PSB01M | CAP SCREW M6-1 X 16 |
| 150 | P9249150 | BEARING SEAT |
| 151 | P9249151 | BRACKET |
| 152 | PRP03M | ROLL PIN 5 X 20 |
| 153 | PSB24M | CAP SCREW M5-.8 X 16 |
| 154 | P6202 | BALL BEARING 6202ZZ |
| 155 | P9249155 | SHAFT |
| 156 | PK23M | KEY 5 X 5 X 25 |
| 157 | PW01M | FLAT WASHER 8MM |
| 158 | P9249158 | BUSHING |
| 160 | P9249160 | 3-JAW CHUCK 6" |
| 161-1 | P9249161-1 | 3-JAW BACKPLATE |
| 953 | P9249953 | CHIP GUARD PLEXIGLASS |
| 953-1 | P9249953-1 | CHIP GUARD SHAFT |



Feed Rate Gearbox



Feed Rate Gearbox Parts List

| REF | PART # | DESCRIPTION |
|-----|----------|-------------------------|
| 201 | PSB26M | CAP SCREW M6-1 X 12 |
| 202 | PW03M | FLAT WASHER 6MM |
| 203 | P9249203 | GEAR |
| 204 | PK19M | KEY 5 X 5 X 14 |
| 205 | P9249205 | SHAFT |
| 206 | PSB04M | CAP SCREW M6-1 X 10 |
| 207 | P9249207 | BEARING COVER |
| 208 | P6003 | BALL BEARING 6003ZZ |
| 209 | PRP24M | ROLL PIN 5 X 16 |
| 210 | P9249210 | DUPLEX GEAR |
| 211 | P9249211 | DUPLEX GEAR 16/32T |
| 212 | P9249212 | BUSHING |
| 213 | P9249213 | GEARBOX CASTING |
| 214 | P9249214 | STRAIN RELIEF |
| 215 | P9249215 | OIL GASKET |
| 216 | P9249216 | CONTROL BASE |
| 217 | P9249217 | PLUG BASE |
| 218 | P9249218 | PLUG |
| 222 | P9249222 | BUSHING |
| 223 | PSS11M | SET SCREW M6-1 X 16 |
| 224 | P9249224 | LOCK COLLAR 20-2.5 X 30 |
| 225 | PK144M | KEY 6 X 6 X 16 |
| 226 | P9249226 | GEAR 24T |
| 227 | P51104 | THRUST BEARING 51104 |
| 228 | P9249228 | BUSHING |
| 229 | P9249229 | SHAFT |
| 230 | P9249230 | GEAR 24T |
| 231 | PK142M | KEY 6 X 6 X 32 |
| 232 | P9249232 | GEAR 28T |
| 233 | P9249233 | GEAR 26T |
| 234 | P9249234 | GEAR 24T |
| 235 | P9249235 | GEAR 22T |
| 236 | P9249236 | GEAR 20T |
| 237 | P9249237 | GEAR 19T |
| 238 | P9249238 | GEAR 18T |
| 239 | P9249239 | GEAR 16T |
| 240 | PK120M | KEY 5 X 5 X 75 |
| 241 | P9249241 | BUSHING |
| 242 | P9249242 | GEAR 16T |
| 243 | P9249243 | SHAFT |

| REF | PART # | DESCRIPTION |
|-----|----------|-----------------------------------|
| 244 | PR03M | EXT RETAINING RING 12MM |
| 245 | P6201 | BALL BEARING 6201 |
| 246 | P9249246 | SHAFT |
| 247 | PSS74M | SET SCREW M8-1.25 x 35 |
| 248 | PN03M | HEX NUT M8-1.25 |
| 249 | P9249249 | BRACKET |
| 250 | PSS02M | SET SCREW M6-1 X 6 |
| 251 | P9249251 | BUSHING |
| 252 | P9249252 | GEAR 16T |
| 253 | PK19M | KEY 5 X 5 X 14 |
| 254 | P9249254 | GEAR SHAFT 16 X 34T |
| 255 | P9249255 | GEAR 36T |
| 256 | P9249256 | SHAFT |
| 257 | P9249257 | COMPRESSION SPRING 6 X 15 |
| 258 | P9249258 | THREADED SHAFT |
| 259 | P9249259 | HANDLE |
| 260 | PN01M | HEX NUT M6-1 |
| 261 | P9249261 | OIL PIPE |
| 262 | P9249262 | OIL PIPE |
| 263 | PRP03M | ROLL PIN 5 X 20 |
| 264 | PSB31M | CAP SCREW M8-1.25 X 25 |
| 265 | P9249265 | SHIFTING FORK |
| 266 | P9249266 | GEAR 24T |
| 267 | P9249267 | CONNECTING ROD |
| 268 | P9249268 | BUSHING |
| 269 | P6201 | BALL BEARING 6201 |
| 270 | P9249270 | SHAFT |
| 271 | P9249271 | FRONT COVER |
| 272 | P9249272 | GEARBOX FRONT COVER |
| 273 | PSB01M | CAP SCREW M6-1 X 16 |
| 274 | PRP26M | ROLL PIN 5 X 26 |
| 275 | P9249275 | SHAFT |
| 276 | P9249276 | LEVER M10-1.5 X 50 |
| 277 | P9249277 | HANDLE |
| 278 | PRP28M | ROLL PIN 5 X 40 |
| 279 | P9249279 | STEEL BALL 6MM |
| 280 | P9249280 | COMPRESSION SPRING 1 X 4.5 X 16-2 |
| 281 | P9249281 | HANDLE HUB |
| 282 | P9249282 | SHAFT |



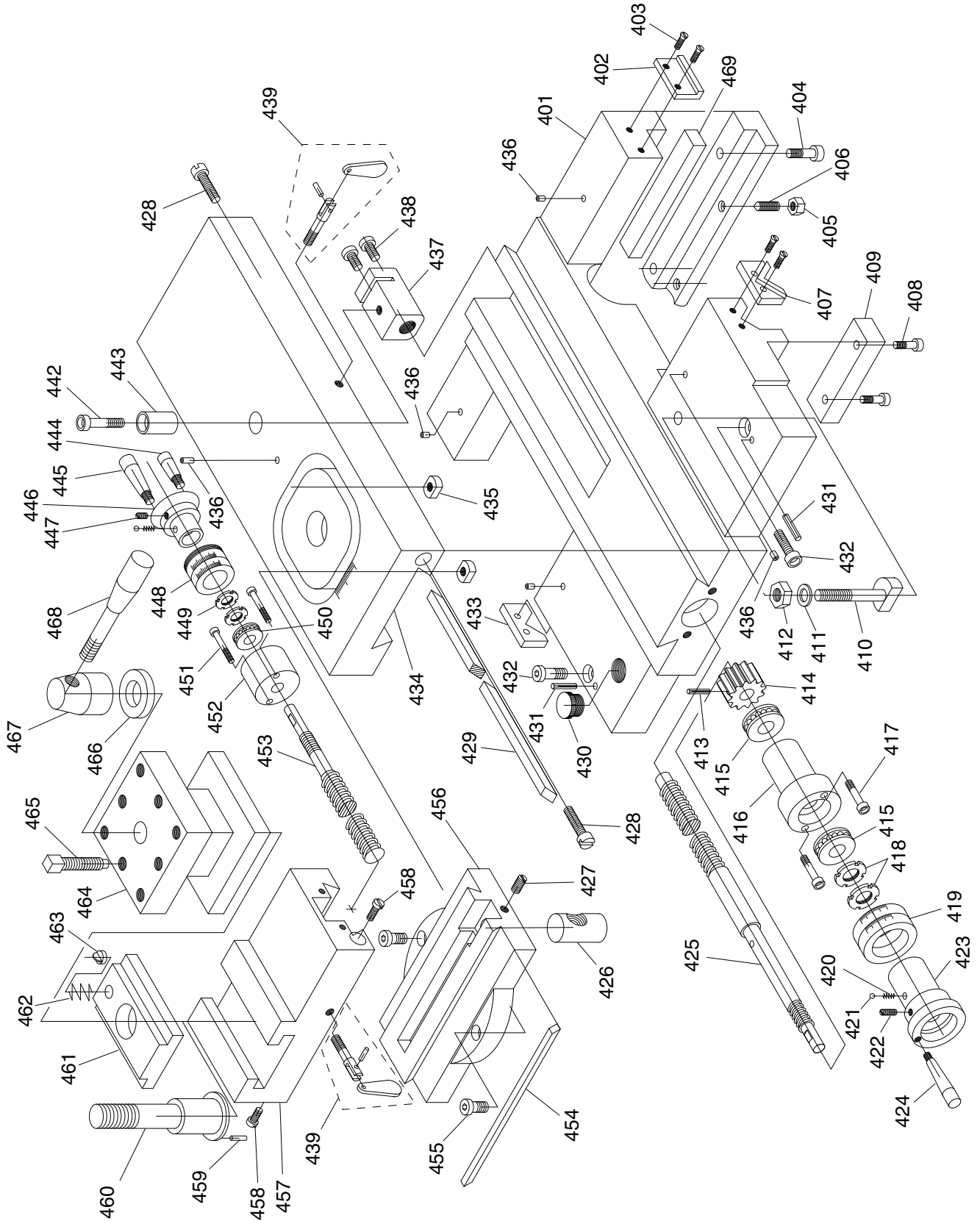
Apron Parts List

| REF | PART # | DESCRIPTION |
|-----|----------|----------------------------------|
| 301 | P9249301 | COLLAR 25MM |
| 302 | PK126M | KEY 5 X 5 X 32 |
| 303 | P9249303 | WORM GEAR |
| 304 | PSB06M | CAP SCREW M6-1 X 25 |
| 305 | P9249305 | BRACKET |
| 306 | P9249306 | SLIDE BAR |
| 307 | PSB68M | CAP SCREW M6-1 X 8 |
| 308 | PS74M | PHLP HD SCR M4-.7 X 14 |
| 309 | P9249309 | COMPRESSION SPRING .8 X 5 X 1.5 |
| 310 | P9249310 | BRACKET |
| 311 | PSB01M | CAP SCREW M6-1 X 16 |
| 313 | PSB24M | CAP SCREW M5-.8 X 16 |
| 314 | P9249314 | GUIDE PLATE |
| 315 | PSS04M | SET SCREW M6-1 X 12 |
| 316 | P9249316 | HALF NUT M25 |
| 317 | P9249317 | HALF NUT BRACKET |
| 318 | P9249318 | SPECIAL PIN |
| 319 | P9249279 | STEEL BALL 6MM |
| 320 | PSS20M | SET SCREW M8-1.25 X 8 |
| 321 | P9249321 | COMPRESSION SPRING .8 X 10 X 1.5 |
| 322 | P9249322 | HALF NUT ROD |
| 323 | PRP28M | ROLL PIN 5 X 40 |
| 324 | P9249324 | HANDLE HUB |
| 325 | P9249325 | LEVER M12-1.75 X 50 |
| 326 | P9249326 | HANDLE |
| 327 | P9249327 | THREAD DIAL |
| 328 | PRP61M | ROLL PIN 3 X 12 |
| 329 | P9249329 | INDICATOR GEAR |
| 330 | PW03M | FLAT WASHER 6MM |
| 331 | PSB26M | CAP SCREW M6-1 X 12 |
| 332 | P9249332 | RIVET 2.5 X 5 |
| 333 | P9249333 | THREAD DIAL HOUSING |

| REF | PART # | DESCRIPTION |
|-----|----------|--------------------------------|
| 334 | PSB30M | CAP SCREW M6-1 X 45 |
| 335 | P9249335 | WORM GEAR |
| 336 | P9249336 | GEAR SHAFT 16 X 116T |
| 337 | PK48M | KEY 4 X 4 X 20 |
| 338 | PRP05M | ROLL PIN 5 X 30 |
| 339 | P9249339 | SHAFT |
| 340 | P9249340 | SPUR GEAR |
| 341 | PRP49M | ROLL PIN 5 X 25 |
| 342 | P9249342 | TRANSMISSION GEAR |
| 343 | PRP38M | ROLL PIN 5 X 60 |
| 344 | P9249344 | HANDWHEEL GEAR |
| 345 | P9249345 | APRON CASTING |
| 346 | P9249346 | HANDWHEEL SEAT |
| 347 | P9249347 | GRADUATED COLLAR |
| 348 | P9249348 | HANDWHEEL |
| 349 | P9249349 | HANDLE M8-1.25 X 63 |
| 350 | P9249002 | BALL OILER |
| 351 | P9249351 | CLUTCH GEAR |
| 352 | PR06M | EXT RETAINING RING 16MM |
| 353 | P9249353 | CLUTCH GEAR |
| 354 | PRP08M | ROLL PIN 6 X 30 |
| 355 | P9249355 | CLUTCH GEAR |
| 356 | P9249356 | SHIFTING BRACKET |
| 357 | P9249357 | CHANGE ROD |
| 358 | P9249358 | CHANGE LEVER |
| 359 | PK29M | KEY 4 X 4 X 8 |
| 360 | P9249360 | CHANGE SHAFT |
| 361 | P9249361 | CHANGE LEVER SEAT |
| 362 | P9249362 | COMPRESSION SPRING 1 X 5 X 1.5 |
| 363 | PSS74M | SET SCREW M8-1.25 X 35 |
| 364 | PN03M | HEX NUT M8-1.25 |



Carriage



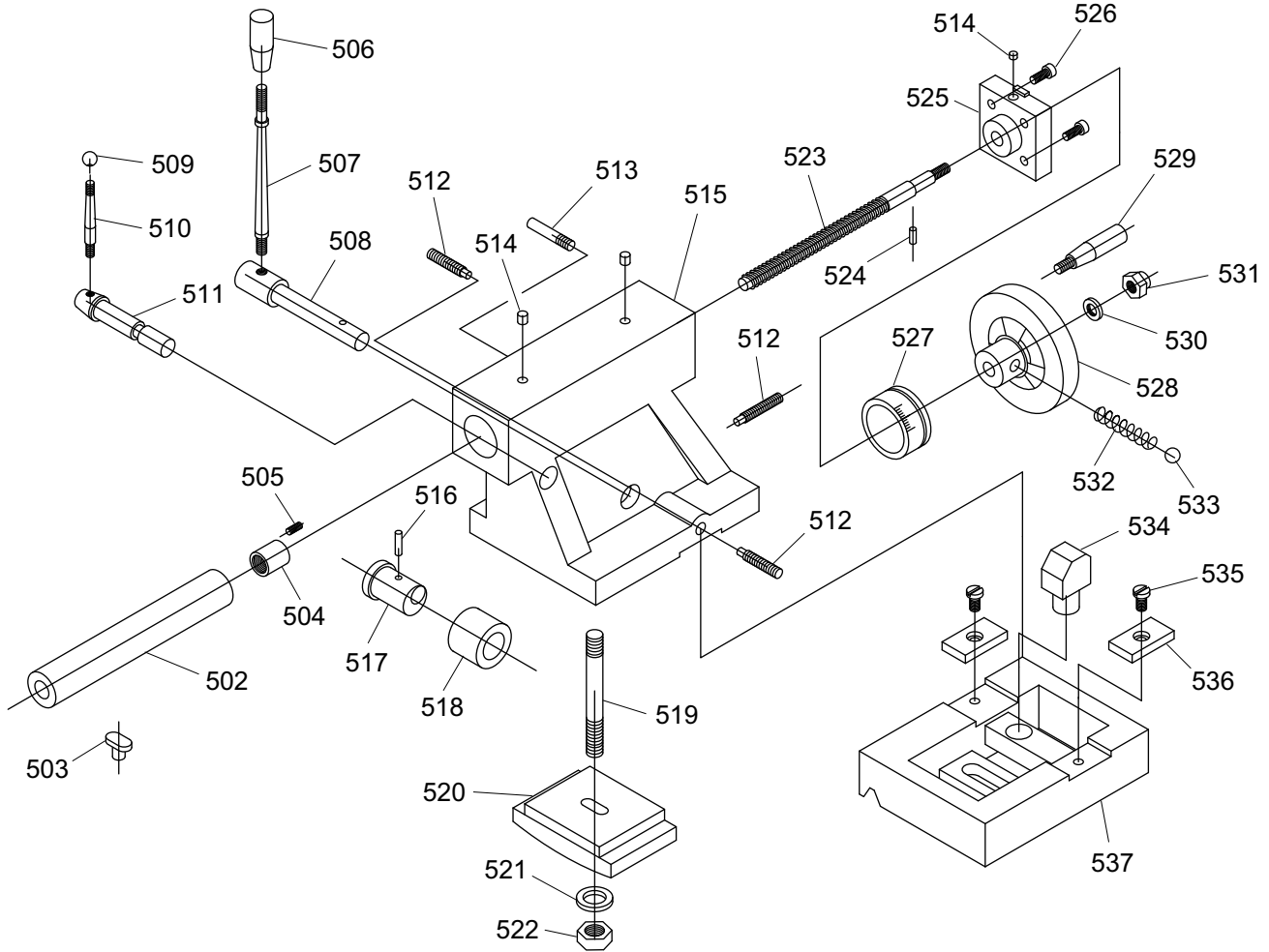
Carriage Parts List

| REF | PART # | DESCRIPTION |
|-----|----------|---------------------------------|
| 401 | P9249401 | SADDLE |
| 402 | P9249402 | WIPER |
| 403 | PS08M | PHLP HD SCR M5-.8 X 12 |
| 404 | PSB31M | CAP SCREW M8-1.25 X 25 |
| 405 | PN03M | HEX NUT M8-1.25 |
| 406 | PSS21M | SET SCREW M8-1.25 X 25 |
| 407 | P9249407 | WIPER |
| 408 | PSB01M | CAP SCREW M6-1 X 16 |
| 409 | P9249409 | SLIDE BLOCK |
| 410 | P9249410 | SADDLE LOCK BOLT M10-1.5 X 100 |
| 411 | PW04M | FLAT WASHER 10MM |
| 412 | PN02M | HEX NUT M10-1.5 |
| 413 | PRP03M | ROLL PIN 5 X 20 |
| 414 | P9249414 | GEAR 12T |
| 415 | P8101 | THRUST BEARING 8101 |
| 416 | P9249416 | LEADSCREW SEAT M35 |
| 417 | PSB30M | CAP SCREW M6-1 X 45 |
| 418 | PN09M | SPANNER NUT M12-1.75 |
| 419 | P9249419 | GRADUATED COLLAR |
| 420 | P9249420 | COMPRESSION SPRING .5 X 5 X 1.5 |
| 421 | P9249279 | STEEL BALL 6MM |
| 422 | PSS11M | SET SCREW M6-1 X 16 |
| 423 | P9249423 | HANDWHEEL |
| 424 | P9249424 | HANDLE |
| 425 | P9249425 | SADDLE LEADSCREW M15 |
| 426 | P9249426 | LEADSCREW NUT M15 |
| 427 | PSS04M | SET SCREW M6-1 X 12 |
| 428 | P9249428 | GIB SCREW M6-1 X 20 |
| 429 | P9249429 | CROSS SLIDE GIB |
| 430 | P9249430 | PLUG |
| 431 | PRP45M | ROLL PIN 5 X 32 |
| 432 | PSB13M | CAP SCREW M8-1.25 X 30 |
| 433 | P9249433 | WIPER |
| 434 | P9249434 | CROSS SLIDE |

| REF | PART # | DESCRIPTION |
|-----|----------|---------------------------------|
| 435 | P9249435 | SPECIAL NUT |
| 436 | P9249002 | BALL OILER |
| 437 | P9249437 | LEADSCREW NUT M15 |
| 438 | PSB39M | CAP SCREW M4-.7 X 20 |
| 439 | P9249439 | SLIDE LOCK ASSY |
| 442 | PSB02M | CAP SCREW M6-1 X 20 |
| 443 | P9249443 | BUSHING |
| 444 | P9249444 | HANDLE |
| 445 | P9249445 | HANDLE |
| 446 | P9249446 | HANDWHEEL |
| 447 | PSS02M | SET SCREW M6-1 X 6 |
| 448 | P9249448 | GRADUATED COLLAR |
| 449 | P9249449 | SPANNER NUT M10-1 |
| 450 | P8100 | THRUST BEARING 8100 |
| 451 | PSB21M | CAP SCREW M4-.7 X 30 |
| 452 | P9249452 | BEARING SEAT |
| 453 | P9249453 | CROSS SLIDE LEADSCREW M15 |
| 454 | P9249454 | COMPOUND SLIDE GIB |
| 455 | PSB76M | CAP SCREW M8-1.25 X 18 |
| 456 | P9249456 | COMPOUND SLIDE BASE |
| 457 | P9249457 | COMPOUND SLIDE |
| 458 | P9249458 | GIB SCREW M5-.8 X 15 |
| 459 | PRP78M | ROLL PIN 4 X 10 |
| 460 | P9249460 | TOOL POST SHAFT M20-2.5 X 100 |
| 461 | P9249461 | T-SLIDE 3 X 6 |
| 462 | P9249462 | COMPRESSION SPRING .8 X 5 X 1.5 |
| 463 | P9249463 | LOCK PIN |
| 464 | P9249464 | 4-WAY TOOL POST |
| 465 | P9249465 | TOOL POST SCREW M6-1 X 4 |
| 466 | PW23M | FLAT WASHER 30MM |
| 467 | P9249467 | HANDLE HUB |
| 468 | P9249468 | HANDLE |
| 469 | P9249469 | SADDLE GIB |



Tailstock

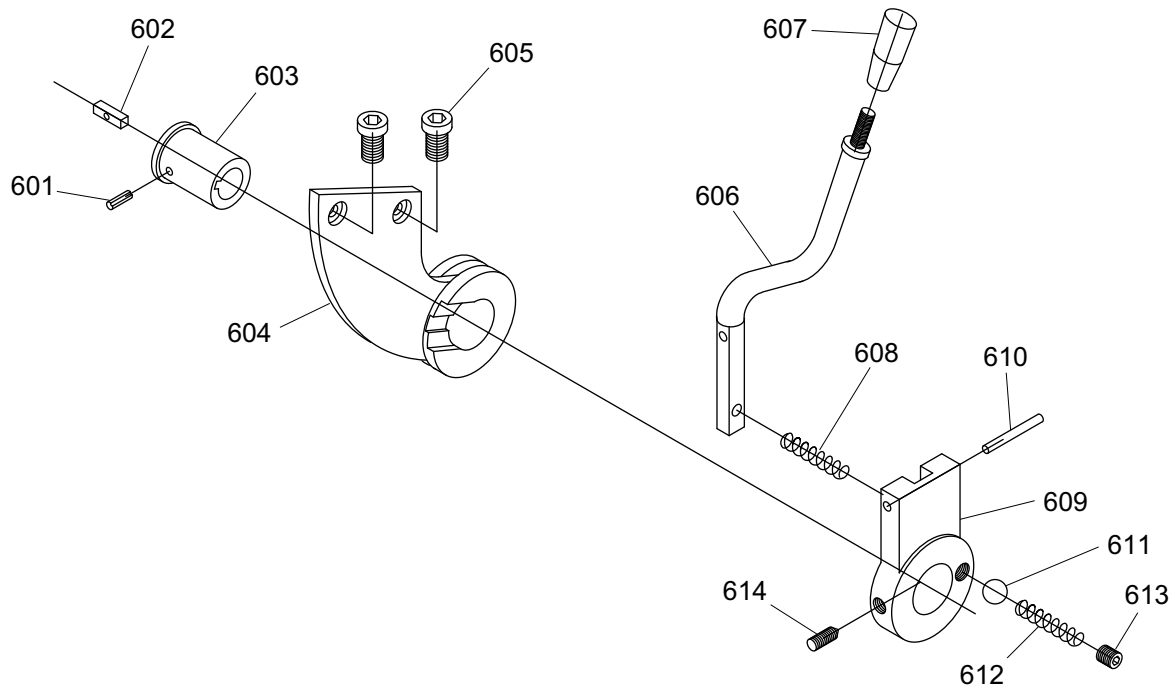


| REF | PART # | DESCRIPTION |
|-----|----------|------------------------------|
| 502 | P9249502 | TAILSTOCK QUILL |
| 503 | P9249503 | T-KEY |
| 504 | P9249504 | LEADSCREW NUT M15 |
| 505 | PSS01M | SET SCREW M6-1 X 10 |
| 506 | P9249506 | KNOB M10-1.5 X 50 |
| 507 | P9249507 | LEVER |
| 508 | P9249508 | CLAMPING SHAFT |
| 509 | P9249509 | KNOB M6-1 X 20 |
| 510 | P9249510 | LEVER |
| 511 | P9249511 | CLAMPING SHAFT |
| 512 | PSS84M | SET SCREW M10-1.5 X 40 |
| 513 | P9249513 | SPECIAL SCREW |
| 514 | P9249514 | BALL OILER |
| 515 | P9249515 | TAILSTOCK CASTING |
| 516 | PRP49M | ROLL PIN 5 X 25 |
| 517 | P9249517 | ECCENTRIC AXLE |
| 518 | P9249518 | BUSHING |
| 519 | P9249519 | CLAMPING BOLT M12-1.75 X 100 |

| REF | PART # | DESCRIPTION |
|-----|----------|---------------------------------|
| 520 | P9249520 | CLAMPING BLOCK |
| 521 | PW06M | FLAT WASHER 12MM |
| 522 | PN09M | HEX NUT M12-1.75 |
| 523 | P9249523 | TAILSTOCK LEADSCREW |
| 524 | PRP35M | ROLL PIN 5 X 10 |
| 525 | P9249525 | LEADSCREW BRACKET |
| 526 | PSB01M | CAP SCREW M6-1 X 16 |
| 527 | P9249527 | GRADUATED COLLAR |
| 528 | P9249528 | QUILL HANDWHEEL |
| 529 | P9249529 | HANDLE M8-1.25 X 63 |
| 530 | PW04M | FLAT WASHER 10MM |
| 531 | PLN05M | LOCK NUT M10-1.5 |
| 532 | P9249532 | COMPRESSON SPRING .8 X 10 X 1.5 |
| 533 | P9249279 | STEEL BALL 6MM |
| 534 | P9249534 | BRACKET |
| 535 | P9249535 | SPECIAL SCREW M6-1 X 12 |
| 536 | P9249536 | CLAMP BLOCK |
| 537 | P9249537 | TAILSTOCK BASE |



Spindle Lever

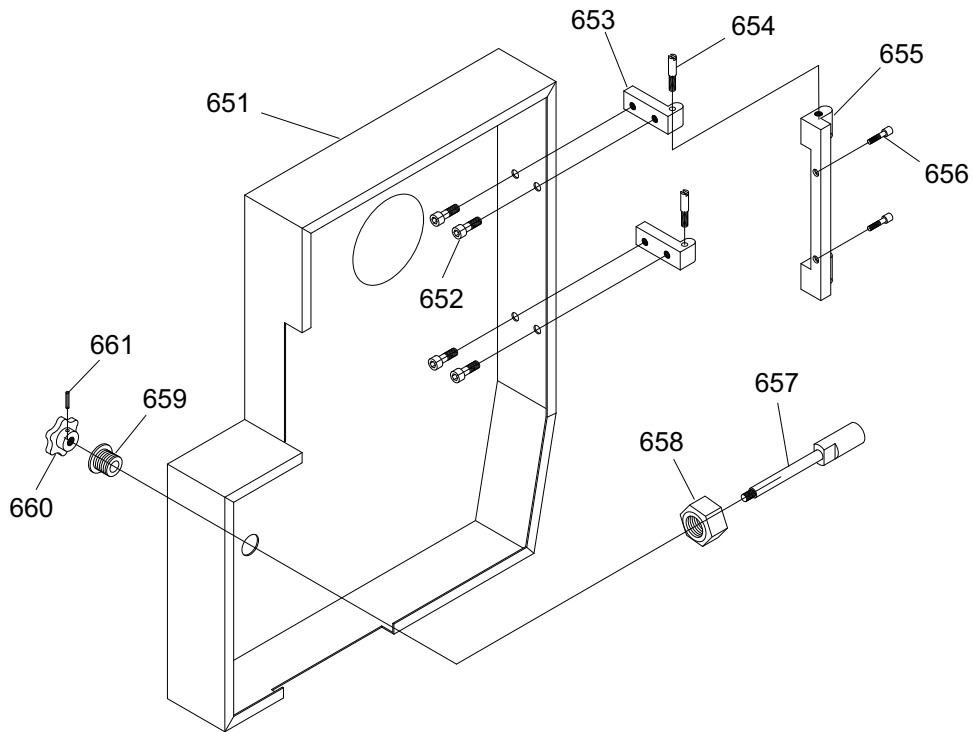


| REF | PART # | DESCRIPTION |
|-----|----------|---------------------|
| 601 | PRP14M | ROLL PIN 3 X 6 |
| 602 | PK14M | KEY 5 X 5 X 18 |
| 603 | P9249603 | BUSHING |
| 604 | P9249604 | LEVER BRACKET |
| 605 | PSB26M | CAP SCREW M6-1 X 12 |
| 606 | P9249606 | HANDLE |
| 607 | P9249607 | KNOB M10 X 50 |

| REF | PART # | DESCRIPTION |
|-----|----------|--------------------------------|
| 608 | P9249608 | COMPRESSION SPRING 1 X 6 X 22 |
| 609 | P9249609 | COVER |
| 610 | PRP45M | ROLL PIN 5 X 32 |
| 611 | P9249279 | STEEL BALL 6MM |
| 612 | P9249612 | COMPRESSION SPRING 1 X 6 X 9 |
| 613 | PSS16M | SET SCREW M8-1.25 X 10 |
| 614 | P9249614 | TAPERED SET SCREW M8-1.25 X 12 |



Change Gear Cover

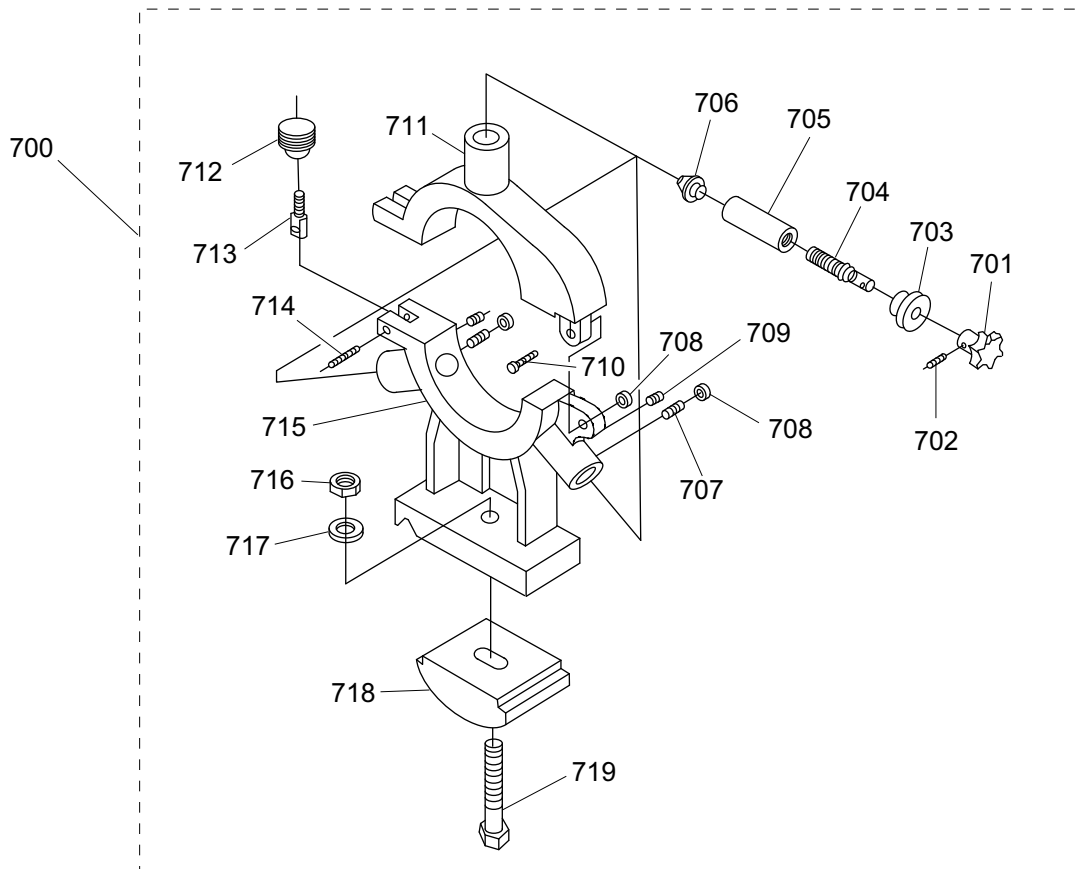


| REF | PART # | DESCRIPTION |
|-----|----------|---------------------|
| 651 | PSB26M | CHANGE GEAR COVER |
| 652 | PSB01M | CAP SCREW M6-1 X 16 |
| 653 | P9249653 | HINGE |
| 654 | P9249654 | HINGE SCREW M6 X 10 |
| 655 | P9249655 | BRACKET |
| 656 | PSB01M | CAP SCREW M6-1 X 16 |

| REF | PART # | DESCRIPTION |
|-----|----------|-----------------|
| 657 | P9249657 | LOCKING ROD |
| 658 | PN13M | HEX NUT M16-2 |
| 659 | P9249659 | THREADED SLEEVE |
| 660 | P9249660 | KNOB M8 X 32 |
| 661 | PRP02M | ROLL PIN 3 X 16 |



Steady Rest

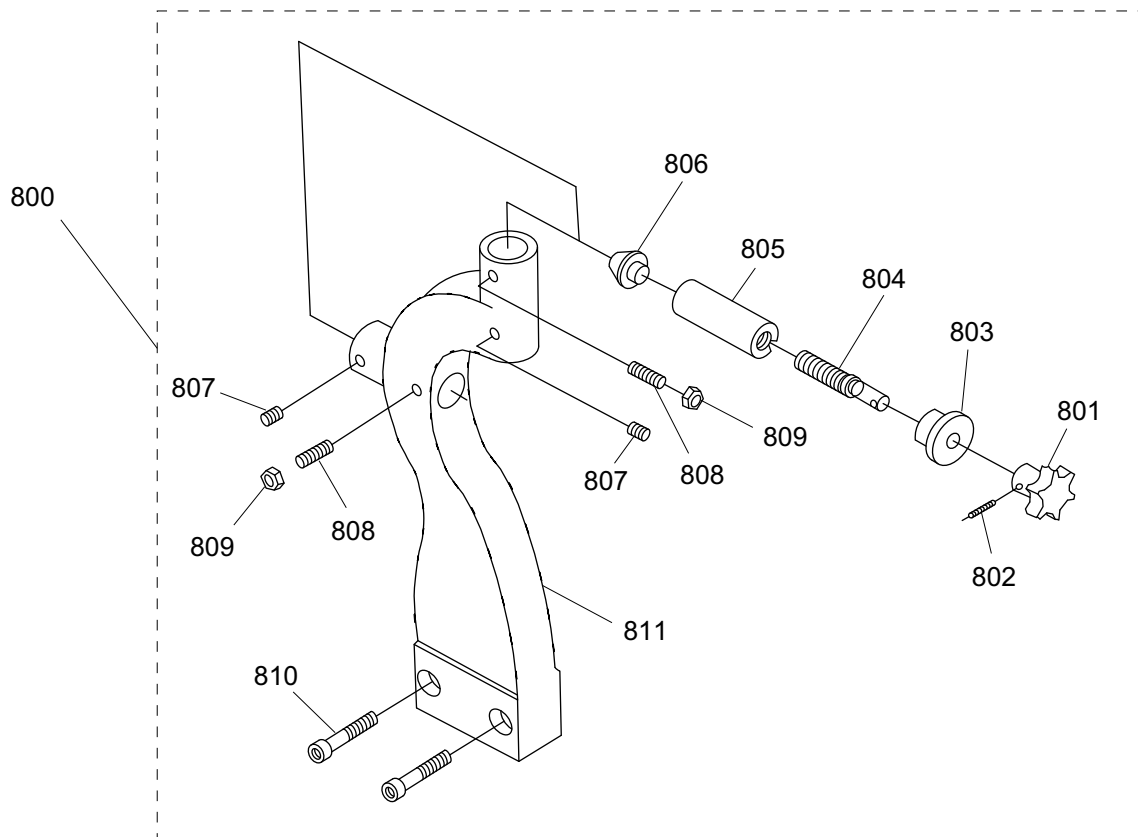


| REF | PART # | DESCRIPTION |
|-----|----------|------------------------------|
| 700 | P9249700 | COMPLETE STEADY REST |
| 701 | P9249701 | STAR HANDLE M8-1.25 X 30 |
| 702 | PRP02M | ROLL PIN 3 X 16 |
| 703 | P9249703 | COLLAR |
| 704 | P9249704 | ADJUSTING SCREW M8-1.25 X 40 |
| 705 | P9249705 | BUSHING |
| 706 | P9249706 | CLAMPING BLOCK |
| 707 | PSS11M | SET SCREW M6-1 X 16 |
| 708 | PN01M | HEX NUT M6-1 |
| 709 | PSS03M | SET SCREW M6-1 X 8 |

| REF | PART # | DESCRIPTION |
|-----|----------|------------------------|
| 710 | PB10M | HEX BOLT M6-1 X 25 |
| 711 | P9249711 | STEADY REST COVER |
| 712 | P9249712 | KNOB |
| 713 | P9249713 | LEVER |
| 714 | PRP05M | ROLL PIN 5 X 30 |
| 715 | P9249715 | STEADY REST BASE |
| 716 | PN09M | HEX NUT M12-1.75 |
| 717 | PW06M | FLAT WASHER 12MM |
| 718 | P9249718 | CLAMP PLATE |
| 719 | PB140M | HEX BOLT M12-1.75 X 70 |



Follow Rest

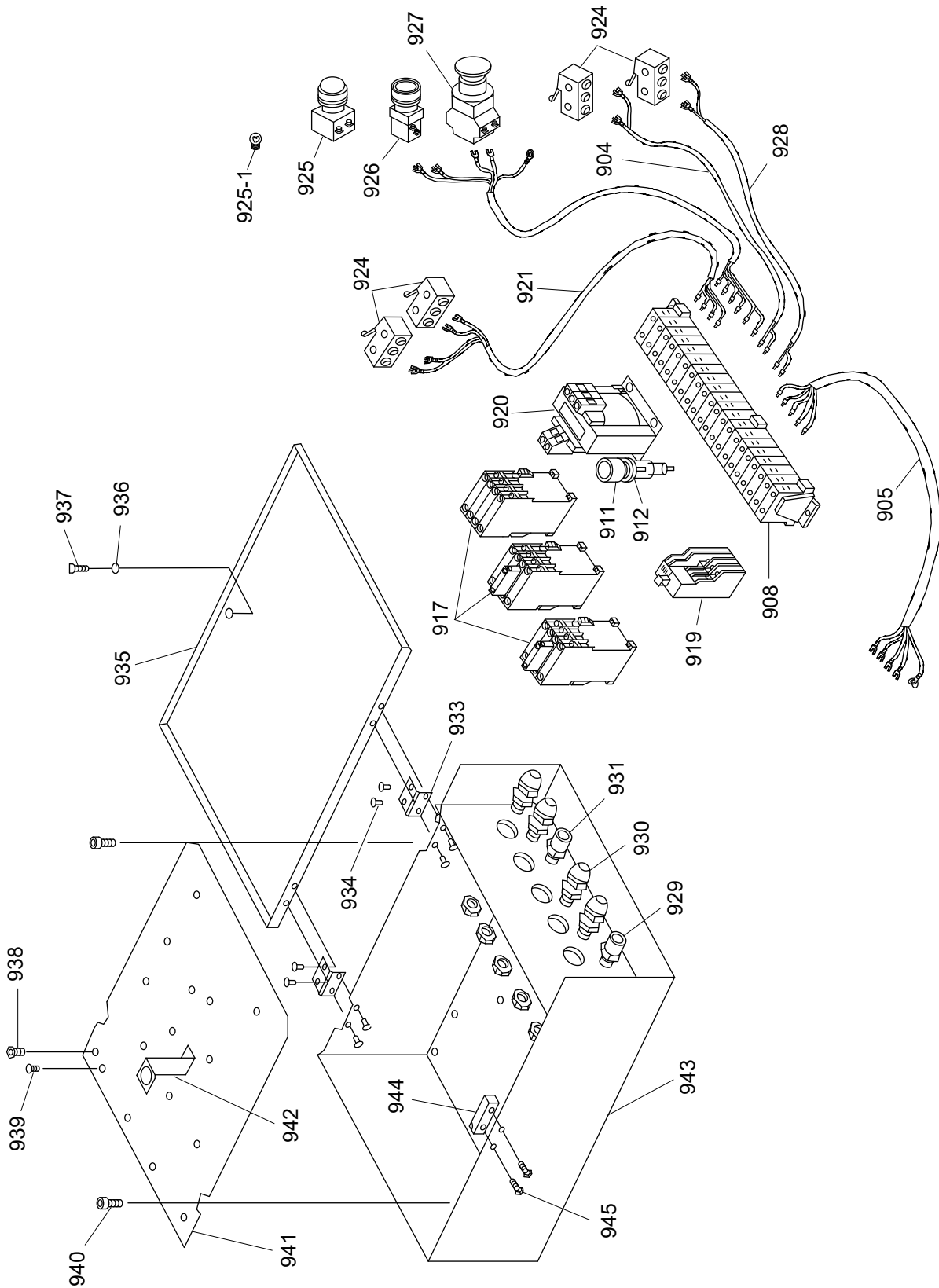


| REF | PART # | DESCRIPTION |
|-----|----------|--------------------------|
| 800 | P9249800 | COMPLETE FOLLOW REST |
| 801 | P9249801 | STAR HANDLE M8-1.25 X 30 |
| 802 | PRP02M | ROLL PIN 3 X 16 |
| 803 | P9249803 | COLLAR |
| 804 | P9249704 | ADJUSTING SCREW M8 X 40 |
| 805 | P9249805 | BUSHING |

| REF | PART # | DESCRIPTION |
|-----|----------|------------------------|
| 806 | P9249806 | CLAMPING BLOCK |
| 807 | PSS03M | SET SCREW M6-1 X 8 |
| 808 | PSS11M | SET SCREW M6-1 X 16 |
| 809 | PN01M | HEX NUT M6-1 |
| 810 | PSB40M | CAP SCREW M8-1.25 X 35 |
| 811 | P9249811 | FOLLOW REST BASE |



Electrical Cabinet



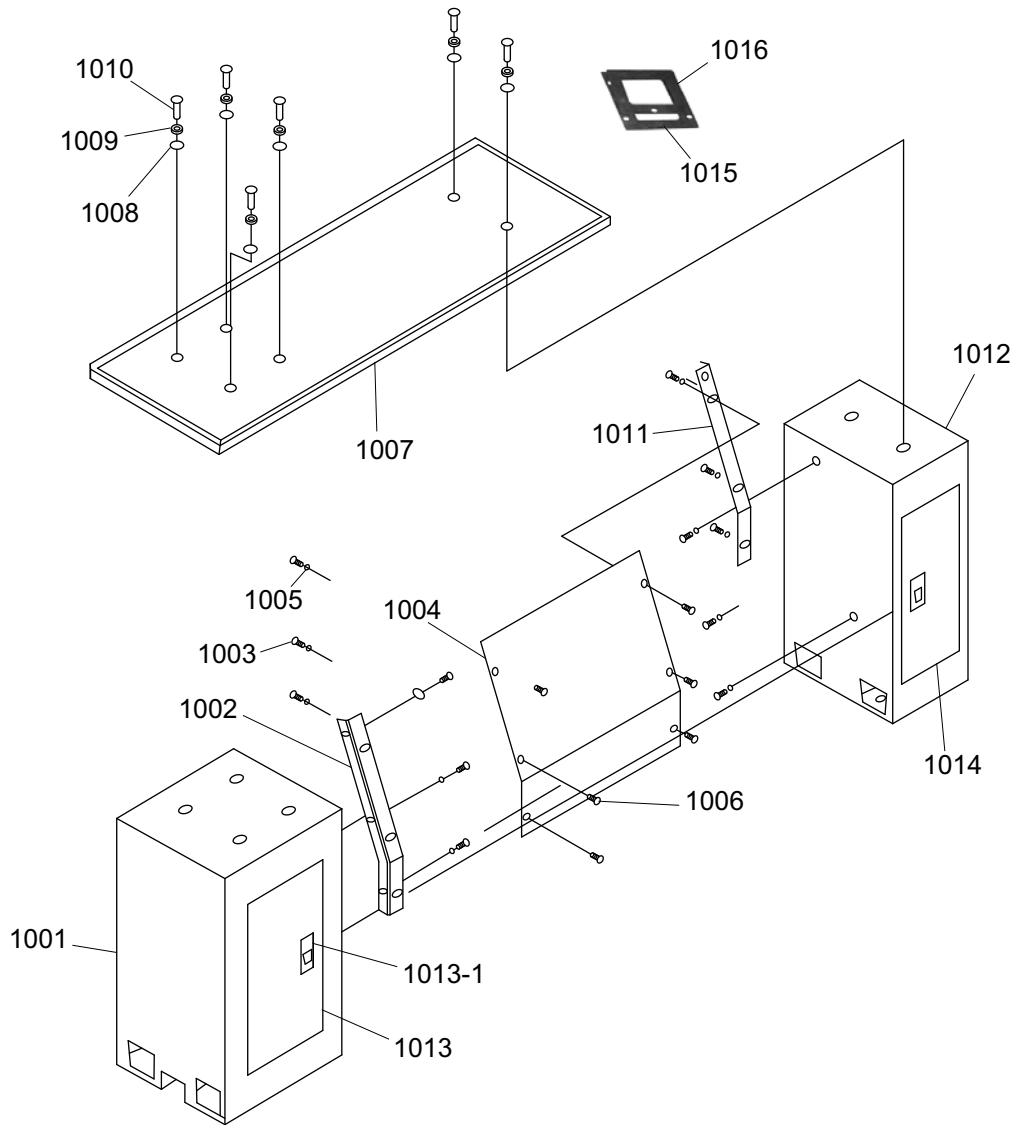
Electrical Cabinet Parts List

| REF | PART # | DESCRIPTION |
|-------|------------|--------------------------------|
| 904 | P9249904 | CHIP GUARD SAFETY SWITCH CABLE |
| 905 | P9249905 | MOTOR CABLE |
| 908 | P9249908 | TERMINAL BLOCK 19T |
| 911 | P9249911 | FUSE HOLDER |
| 912 | P9249912 | FUSE 2A |
| 917 | P9249917 | CONTACTOR JUCHE CJX2-1201 220V |
| 919 | P9249919 | OL RELAY JUCHE JR28-25 1/10A |
| 920 | P9249920 | TRANSFORMER JUCHE JBK5-63 24V |
| 921 | P9249921 | SPINDLE DIRECTION CABLE |
| 924 | P9249924 | MICRO SWITCH |
| 925 | P9249925 | POWER LAMP |
| 925-1 | P9249925-1 | POWER LAMP BULB |
| 926 | P9249926 | JOG BUTTON |
| 927 | P9249927 | EMERGENCY STOP SWITCH |
| 928 | P9249928 | SAFETY SWITCH CABLE |
| 929 | P9249929 | STRAIN RELIEF 5/8" |

| REF | PART # | DESCRIPTION |
|-----|----------|------------------------|
| 930 | P9249930 | STRAIN RELIEF 3/4" |
| 931 | P9249931 | STRAIN RELIEF 7/8" |
| 933 | P9249933 | HINGE |
| 934 | P9249934 | RIVET 3 X 8 |
| 935 | P9249935 | DOOR |
| 936 | PN04M | HEX NUT M4-.7 |
| 937 | PS18M | PHLP HD SCR M4-.7 X 25 |
| 938 | PS07M | PHLP HD SCR M4-.7 X 8 |
| 939 | PS02M | PHLP HD SCR M4-.7 X 12 |
| 940 | PSB58M | CAP SCREW M8-1.25 X 12 |
| 941 | P9249941 | ELECTRICAL PANEL |
| 942 | P9249942 | FUSE SUPPORT |
| 943 | P9249943 | ELECTRICAL BOX |
| 944 | P9249944 | LATCH BLOCK |
| 945 | PS07M | PHLP HD SCR M4-.7 X 8 |



Cabinet Stand

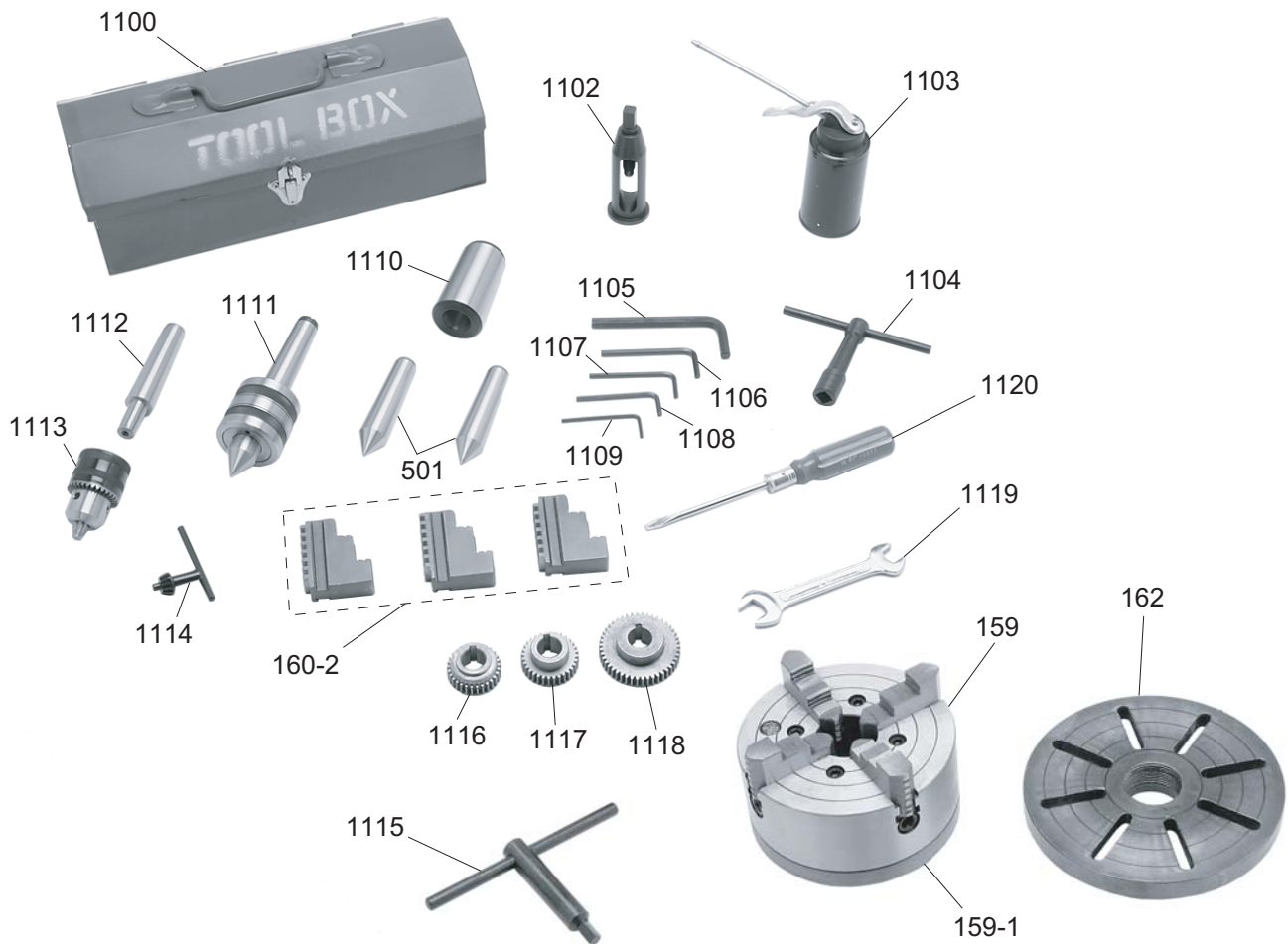


| REF | PART # | DESCRIPTION |
|------|-----------|---------------------------|
| 1001 | P92491001 | CABINET LEFT |
| 1002 | P92491002 | CENTER PANEL BRACKET LEFT |
| 1003 | PS68M | PHLP HD SCR M6-1 X 10 |
| 1004 | P92491004 | CENTER PANEL |
| 1005 | PW03M | FLAT WASHER 6MM |
| 1006 | PS68M | PHLP HD SCR M6-1 X 10 |
| 1007 | P92491007 | CHIP PAN |
| 1008 | PW06M | FLAT WASHER 12MM |
| 1009 | PLW05M | LOCK WASHER 12MM |

| REF | PART # | DESCRIPTION |
|--------|-------------|------------------------------|
| 1010 | PB33M | HEX BOLT M12-1.75 X 50 |
| 1011 | P92491011 | CENTER PANEL BRACKET RIGHT |
| 1012 | P92491012 | CABINET RIGHT |
| 1013 | P92491013 | CABINET DOOR LEFT |
| 1013-1 | P92491013-1 | DOOR LATCH |
| 1014 | P92491014 | CABINET DOOR RIGHT |
| 1015 | P92491015 | CHIP PAN RUBBER GASKET LEFT |
| 1016 | P92491016 | CHIP PAN RUBBER GASKET RIGHT |



Accessories

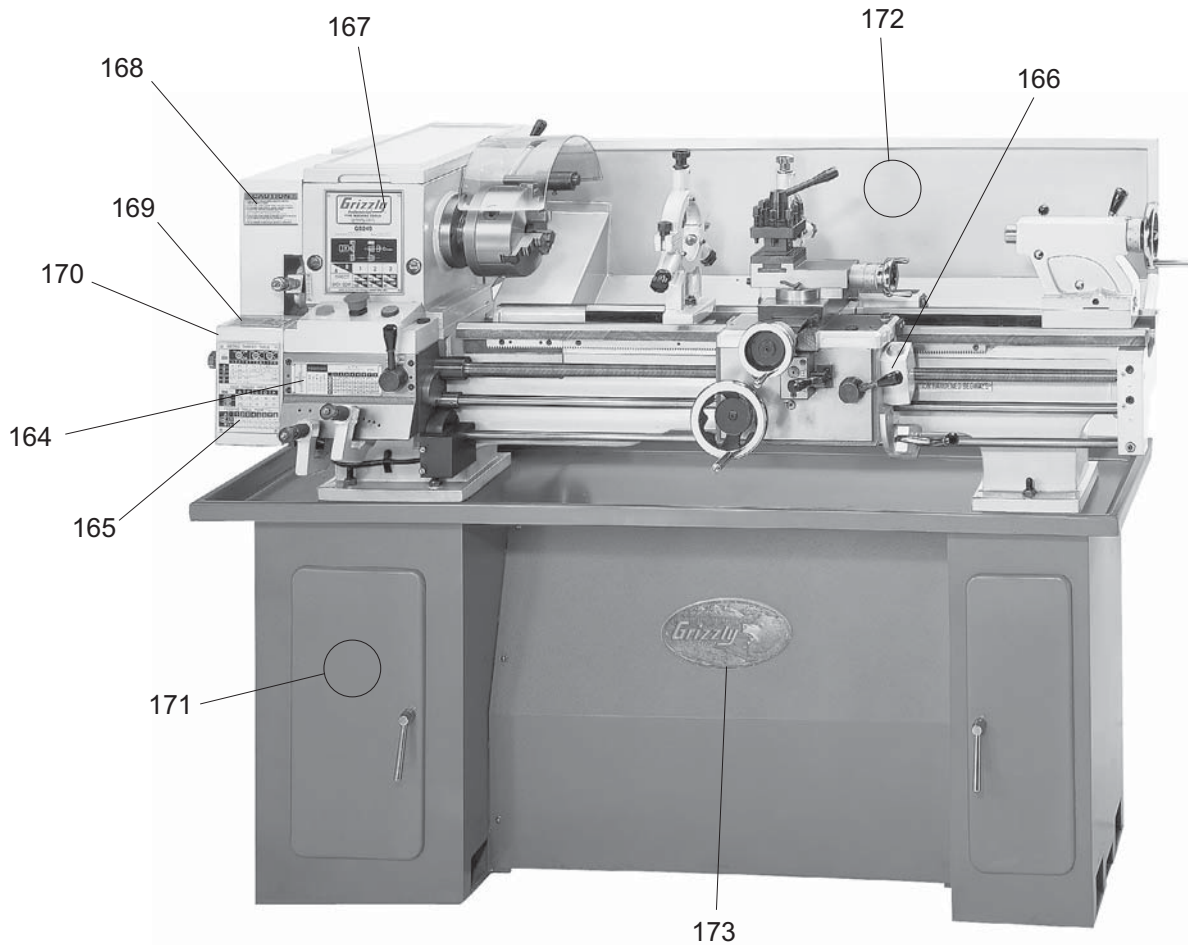


| REF | PART # | DESCRIPTION |
|-------|------------|--------------------------------|
| 159 | P9249159 | 4-JAW CHUCK 8" |
| 159-1 | P9249159-1 | 4-JAW CHUCK BACKPLATE |
| 160-2 | P9249160-2 | 3-JAW CHUCK OUTSIDE JAW SET |
| 162 | P9249162 | FACEPLATE 12" |
| 501 | P9249501 | DEAD CENTER MT#3 |
| 1100 | P92491100 | TOOL BOX |
| 1102 | P92491102 | TOOL POST AMERICAN ROCKER TYPE |
| 1103 | P92491103 | OIL CAN |
| 1104 | P92491104 | 4-WAY TOOL POST KEY |
| 1105 | PAW08M | HEX WRENCH 8MM |
| 1106 | PAW06M | HEX WRENCH 6MM |
| 1107 | PAW05M | HEX WRENCH 5MM |
| 1108 | PAW04M | HEX WRENCH 4MM |

| REF | PART # | DESCRIPTION |
|------|-----------|----------------------------|
| 1109 | PAW03M | HEX WRENCH 3MM |
| 1110 | P92491110 | SPINDLE SLEEVE MT#3-MT#5 |
| 1111 | P92491111 | LIVE CENTER MT#3 |
| 1112 | P92491112 | DRILL CHUCK ARBOR MT#3-B16 |
| 1113 | P92491113 | DRILL CHUCK B16 |
| 1114 | P92491114 | DRILL CHUCK KEY |
| 1115 | P92491115 | CHUCK KEY |
| 1116 | P92491116 | CHANGE GEAR 30T |
| 1117 | P92491117 | CHANGE GEAR 32T |
| 1118 | P92491118 | CHANGE GEAR 46T |
| 1119 | P92491119 | OPEN END WRENCH 13/16MM |
| 1120 | P92491120 | STANDARD SCREWDRIVER #2 |



Label Placement



| REF | PART # | DESCRIPTION |
|-----|----------|----------------------------|
| 164 | P9249164 | GEARBOX CHART LABEL |
| 165 | P9249165 | THREADING CHART LABEL |
| 166 | P9249166 | THREADING DIAL CHART LABEL |
| 167 | P9249167 | SPINDLE SPEED CHART LABEL |
| 168 | P9249168 | GENERAL WARNING LABEL |

| REF | PART # | DESCRIPTION |
|-----|-----------|---------------------------------|
| 169 | P9249169 | CHANGE GEAR LABEL |
| 170 | P9249170 | MACHINE ID LABEL |
| 171 | PPAINT-1 | GRIZZLY GREEN TOUCH UP PAINT |
| 172 | PPAINT-11 | GREY PUTTY TOUCH UP PAINT |
| 173 | G8588 | GRIZZLY NAMEPLATE 9-1/2 X 4-1/5 |

WARNING

Safety labels warn about machine hazards and ways to prevent injury. The owner of this machine **MUST** maintain the original location and readability of the labels on the machine. If any label is removed or becomes unreadable, **REPLACE** that label before using the machine again. Contact Grizzly at (800) 523-4777 or www.grizzly.com to order new labels.

