



WOOD LATHE WITH STAND

MODEL G8691

INSTRUCTION MANUAL



COPYRIGHT © 2000 BY GRIZZLY INDUSTRIAL, INC.
WARNING: NO PORTION OF THIS MANUAL MAY BE REPRODUCED IN ANY SHAPE
OR FORM WITHOUT THE WRITTEN APPROVAL OF GRIZZLY INDUSTRIAL, INC.
FEBRUARY, 2001. PRINTED IN CHINA.

Table Of Contents

	PAGE
1. SAFETY	
WARNINGS	2
SAFETY RULES FOR ALL TOOLS	3
ADDITIONAL SAFETY INSTRUCTIONS FOR G8691	4
2. CIRCUIT REQUIREMENTS	
110V OPERATION	5
GROUNDING	5
EXTENSION CORDS	5
3. INTRODUCTION	
COMMENTARY	6
UNPACKING	7
PIECE INVENTORY	7
CLEAN UP.....	8
SITE CONSIDERATIONS	8
4. ASSEMBLY	
BEGINNING ASSEMBLY	9
STAND	9
TOOL REST	9
TAILSTOCK.....	10
SPUR CENTER	10
FACEPLATE	10
5. OPERATIONS	
TEST RUN	11
SPINDLE TURNING	11
SPEED SELECTOR	12
TOOL REST	12
6. MAINTENANCE	
GENERAL	13
LUBRICATION	13
V-BELT	13
7. CLOSURE	14
MACHINE DATA	15
PARTS BREAKDOWN AND PARTS LISTS	16-17
WARRANTY AND RETURNS	18

SECTION 1: SAFETY

WARNING

For Your Own Safety Read Instruction Manual Before Operating This Equipment

The purpose of safety symbols is to attract your attention to possible hazardous conditions. This manual uses a series of symbols and signal words which are intended to convey the level of importance of the safety messages. The progression of symbols is described below. Remember that safety messages by themselves do not eliminate danger and are not a substitute for proper accident prevention measures.



Indicates an imminently hazardous situation which, if not avoided, **WILL** result in death or serious injury.



Indicates a potentially hazardous situation which, if not avoided, **COULD** result in death or serious injury.



Indicates a potentially hazardous situation which, if not avoided, **MAY** result in minor or moderate injury. It may also be used to alert against unsafe practices.

NOTICE

This symbol is used to alert the user to useful information about proper operation of the equipment.

WARNING

Safety Instructions For Power Tools

- 1. KEEP GUARDS IN PLACE** and in working order.
- 2. REMOVE ADJUSTING KEYS AND WRENCHES.** Form habit of checking to see that keys and adjusting wrenches are removed from tool before turning on.
- 3. KEEP WORK AREA CLEAN.** Cluttered areas and benches invite accidents.
- 4. DON'T USE IN DANGEROUS ENVIRONMENT.** Don't use power tools in damp or wet locations, or where any flammable or noxious fumes may exist. Keep work area well lighted.
- 5. KEEP CHILDREN AND VISITORS AWAY.** All children and visitors should be kept a safe distance from work area.
- 6. MAKE WORK SHOP CHILD PROOF** with padlocks, master switches, or by removing starter keys.
- 7. DON'T FORCE TOOL.** It will do the job better and safer at the rate for which it was designed.
- 8. USE RIGHT TOOL.** Don't force tool or attachment to do a job for which it was not designed.

WARNING

Safety Instructions For Power Tools

- 9. USE PROPER EXTENSION CORD.** Make sure your extension cord is in good condition. Conductor size should be in accordance with the chart below. The amperage rating should be listed on the motor or tool nameplate. An undersized cord will cause a drop in line voltage resulting in loss of power and overheating. Your extension cord must also contain a ground wire and plug pin. Always repair or replace extension cords if they become damaged.

Minimum Gauge for Extension Cords

AMP RATING	LENGTH		
	25ft	50ft	100ft
0-6	18	16	16
7-10	18	16	14
11-12	16	16	14
13-16	14	12	12
17-20	12	12	10
21-30	10	10	No

- 10. WEAR PROPER APPAREL.** Do not wear loose clothing, gloves, neckties, rings, bracelets, or other jewelry which may get caught in moving parts. Non-slip footwear is recommended. Wear protective hair covering to contain long hair.
- 11. ALWAYS USE SAFETY GLASSES.** Also use face or dust mask if cutting operation is dusty. Everyday eyeglasses only have impact resistant lenses, they are NOT safety glasses.
- 12. SECURE WORK.** Use clamps or a vise to hold work when practical. It's safer than using your hand and frees both hands to operate tool.
- 13. DON'T OVERREACH.** Keep proper footing and balance at all times.
- 14. MAINTAIN TOOLS WITH CARE.** Keep tools sharp and clean for best and safest performance. Follow instructions for lubricating and changing accessories.
- 15. USE RECOMMENDED ACCESSORIES.** Consult the owner's manual for recommended accessories. The use of improper accessories may cause risk of injury.

- 16. REDUCE THE RISK OF UNINTENTIONAL STARTING.** On machines with magnetic contact starting switches there is a risk of starting if the machine is bumped or jarred. Always disconnect from power source before adjusting or servicing. Make sure switch is in OFF position before reconnecting.

- 17. MANY WOODWORKING TOOLS CAN "KICKBACK" THE WORKPIECE** toward the operator if not handled properly. Know what conditions can create "kickback" and know how to avoid them. Read the manual accompanying the machine thoroughly.

- 18. CHECK DAMAGED PARTS.** Before further use of the tool, a guard or other part that is damaged should be carefully checked to determine that it will operate properly and perform its intended function. Check for alignment of moving parts, binding of moving parts, breakage of parts, mounting, and any other conditions that may affect its operation. A guard or other part that is damaged should be properly repaired or replaced.

- 19. NEVER LEAVE TOOL RUNNING UNATTENDED. TURN POWER OFF.** Don't leave tool until it comes to a complete stop.

- 20. NEVER OPERATE A MACHINE WHEN TIRED, OR UNDER THE INFLUENCE OF DRUGS OR ALCOHOL.** Full mental alertness is required at all times when running a machine.

CAUTION

No list of safety guidelines can be complete. Every shop environment is different. Always consider safety first, as it applies to your individual working conditions. Use this and other machinery with caution and respect. Failure to do so could result in serious personal injury, damage to equipment or poor work results.

WARNING

Additional Safety Instructions For The Lathe

- 1. MAKE SURE ALL GUARDS** are in place and that the lathe sits on a flat, stable surface.
- 2. ALWAYS WEAR EYE PROTECTION** and a face shield when operating the lathe. Use a respirator to avoid inhaling dust. All safety equipment should be ANSI approved.
- 3. BEFORE STARTING THE MACHINE** be certain the workpiece has been properly imbedded on the headstock and tailstock centers and that there is adequate clearance for the full rotation.
- 4. ADJUST TOOL REST** to provide proper support for the turning tool you will be using. Test tool rest clearance by rotating workpiece by hand before starting lathe.
- 5. SELECT THE TURNING SPEED** which is appropriate for the type of work. Allow the lathe to gain full speed before beginning.
- 6. ALWAYS OBSERVE THE CONDITION** of the materials you are turning. Pay particular attention to knots, splits and other potentially dangerous conditions.
- 7. KEEP LATHE TOOLS PROPERLY SHARPENED** and hold firmly in the proper position when turning.
- 8. IF AT ANY TIME YOU ARE EXPERIENCING DIFFICULTIES** performing the intended operation, stop using the machine! Then contact our service department or ask a qualified expert how the operation should be performed.
- 9. NEVER OPERATE THE LATHE WITH DAMAGED OR WORN PARTS.** Maintain your lathe in proper working condition. Perform routine inspections and maintenance promptly when needed. Put away adjustment tools after use.
- 10. MAKE SURE YOUR WOOD LATHE IS TURNED OFF,** disconnected from its power source and all moving parts have come to a complete stop before starting any inspection, adjustment, or maintenance procedure.
- 11. DO NOT LEAVE LATHE RUNNING UNATTENDED** for any reason.
- 12. DO NOT STOP LATHE USING YOUR HAND** against the workpiece.
- 13. KEEP LOOSE CLOTHING ARTICLES** such as sleeves, belts or jewelry items away from the lathe spindle.
- 14. WHEN FACE PLATE TURNING,** use lathe chisels on the downward spinning side of the workpiece only.
- 15. REMOVE THE TOOL REST** when performing sanding or polishing operations on the rotating spindle.
- 16. ATTEMPTING TO REMOVE** too much material at once may cause work material to fly out of the lathe.
- 17. BE AWARE THAT CERTAIN WOODS MAY CAUSE AN ALLERGIC REACTION** in people and animals, especially when exposed to fine dust. Make sure you know what type of wood dust you will be exposed to, the possibility of a allergic reaction and always wear an approved respirator.

SECTION 2: CIRCUIT REQUIREMENTS

110V Operation

The Model G8691 is wired for 110V operation only. The ½ H.P. motor will safely draw 3.1 amps at 110V. If you operate this lathe on any circuit that is already close to its capacity, it might blow a fuse or trip a circuit breaker. However, if an unusual load does not exist and a power failure still occurs, contact a qualified electrician or our service department.

A 15-amp fuse or circuit breaker should be used when fusing this wood lathe. Circuit breakers rated any higher are not adequate to protect the circuit from power surges.



Extension Cords

If you find it necessary to use an extension cord with the Model G8691, make sure the cord is rated Hard Service (grade S) or better. Refer to the chart in the standard safety instructions to determine the minimum gauge for the extension cord. The extension cord must also contain a ground wire and plug pin.



Grounding

In the event of an electrical short, grounding reduces the risk of electric shock by providing a path of least resistance to disperse electric current. This tool is equipped with a power cord having an equipment-grounding conductor. **See Figure 1.** The outlet must be properly installed and grounded in accordance with all local codes and ordinances.

⚠ WARNING

This equipment must be grounded. Verify that any existing electrical outlet and circuit you intend to plug into is actually grounded. If it is not, it will be necessary to run a separate 12 A.W.G. copper grounding wire from the outlet to a known ground. Under no circumstances should the grounding pin from any three-pronged plug be removed. Serious injury may occur.

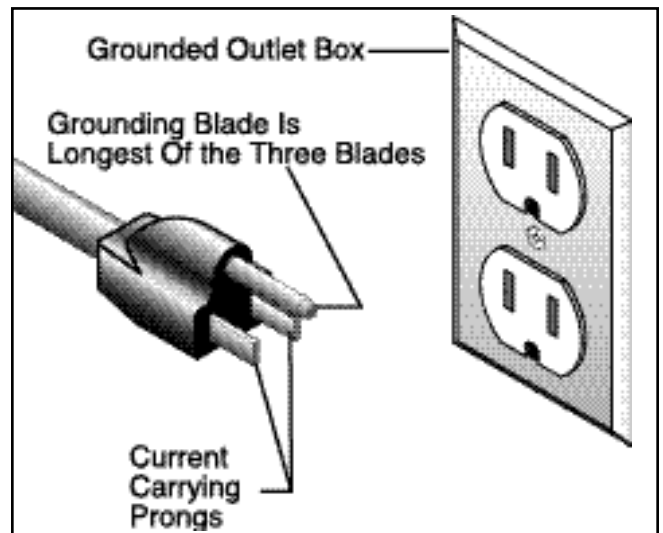


Figure 1. Typical 110V 3-prong plug and outlet.

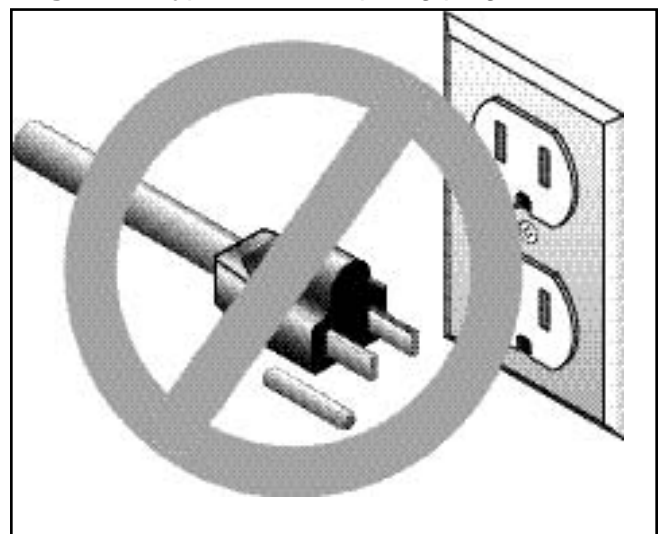


Figure 2 Do not remove grounding pin.



SECTION 3: INTRODUCTION

Commentary

We are proud to offer the Grizzly Model G8691 Wood Lathe w/ Stand. The Model G8691 is part of a growing Grizzly family of fine woodworking machinery. When used according to the guidelines set forth in this manual, you can expect years of trouble-free, enjoyable operation and proof of Grizzly's commitment to customer satisfaction.

The Model G8691 is a ½ H.P. variable speed wood lathe capable of a variety of wood turning tasks. The lathe features 40" between the centers, 14" swing over the bed, 12¼" swing over the tool rest, 0-3000 R.P.M. spindle speed, 0-5000 R.P.M. motor speed, adjustable tool rest, live center, spur center and 6" face plate. The lathe also includes a heavy-duty steel stand that puts the working height at 39¾".

A number of chisels, chucks, centers, and other accessories are available for the Model G8691 through the Grizzly catalog.

We are also pleased to provide this manual with the Model G8691. It was written to guide you through assembly, review safety considerations, and cover general operating procedures. It represents our effort to produce the best documentation possible. If you have any comments regarding this manual, please write to us at the address below:

Grizzly Industrial, Inc.
% Technical Documentation
P.O. Box 2069
Bellingham, WA 98227-2069

Most importantly, we stand behind our machines. If you have any service questions or parts requests, please call or write us at the location listed below.

Grizzly Industrial, Inc.
2406 Reach Road
Williamsport, PA 17701
Phone: (570) 546-9663
Fax: (800) 438-5901
E-Mail: techsupport@grizzly.com
Web Site: <http://www.grizzly.com>

The specifications, drawings, and photographs illustrated in this manual represent the Model G8691 as supplied when the manual was prepared. However, owing to Grizzly's policy of continuous improvement, changes may be made at any time with no obligation on the part of Grizzly. Whenever possible, though, we send manual updates to all owners of a particular tool or machine. Should you receive one, we urge you to insert the new information with the old and keep it for reference.

CAUTION

To operate this or any power tool safely and efficiently, it is essential to become as familiar with its characteristics as possible. The time you invest before you begin to use your Model G8691 will be time well spent. DO NOT operate this machine until you are completely familiar with the contents of this manual. Make sure you read and understand all of the safety procedures. If you do not understand something, DO NOT operate the machine.



Unpacking

This wood lathe is shipped from the manufacturer in a carefully packed carton. If you discover the machine is damaged after you've signed for delivery, and the truck and driver are gone, you will need to file a freight claim with the carrier. Save the containers and all packing materials for possible inspection by the carrier or its agent. Without the packing materials, filing a freight claim can be difficult. If you need assistance determining whether you need to file a freight claim, or with the procedure to file one, please contact our Customer Service.

When you are completely satisfied with the condition of your shipment, you should inventory its parts.



Piece Inventory

After all the parts have been removed from the carton, you should have:

- Lathe Assembly
- Stand Assembly
- Tool Rest
- Tailstock
- #2 M.T. Live Center
- #2 M.T. Spur Center
- 6" Face Plate
- Hardware Accessories

In the event that any nonproprietary parts are missing (e.g. a nut or a washer), we would be glad to replace them, or, for the sake of expediency, replacements can be obtained at your local hardware store.

NOTICE

A full parts list and breakdown can be found toward the end of this manual. For easier assembly, or to identify missing parts, please refer to the detailed illustrations at the end of the manual.



Clean Up

Grease left over from the manufacturing process may be on the various parts of the lathe. It is recommended to clean this grease off with a solvent cleaner or citrus-based degreaser such as Grizzly's G7895 Degreaser. Avoid chlorine-based solvents as they may damage painted surfaces should they come in contact. Always follow the usage instructions on the product you choose for clean up.

WARNING

Many of the solvents commonly used to clean machinery can be highly flammable, and toxic when inhaled or ingested. Always work in well-ventilated areas far from potential ignition sources when dealing with solvents. Use care when disposing of waste rags and towels to be sure they do not create fire or environmental hazards. Keep children and animals safely away when cleaning and assembling this machine.

WARNING

Do not use gasoline or other petroleum-based solvents to remove this protective coating. These products generally have low flash points which makes them extremely flammable. A risk of explosion and burning exists if these products are used. Serious personal injury may occur.

CAUTION

All die-cut metal parts have a sharp edge (called "flashing") on them after they are formed. This is generally removed at the factory. Sometimes a bit of flashing might escape inspection, and the sharp edge may cause cuts or lacerations when handled. Please examine the edges of all die-cut metal parts and file or sand the edge to remove the flashing before handling.



Site Considerations

WORKING CLEARANCES

Working clearances can be thought of as the distances between machines and obstacles that allow safe operation of every machine without limitation. Consider existing and anticipated machine needs, size of material to be processed through each machine, and space for auxiliary stands and/or work tables. Also consider the relative position of each machine to one another for efficient material handling. Be sure to allow yourself sufficient room to safely run your machines in any foreseeable operation.

LIGHTING AND OUTLETS

Lighting should be bright enough to eliminate shadow and prevent eye strain. Electrical circuits should be dedicated or large enough to handle combined motor amp loads. Outlets should be located near each machine so power or extension cords are not obstructing high-traffic areas. Be sure to observe local electrical codes for proper installation of new lighting, outlets, or circuits.

CAUTION

Make your shop "child safe." Ensure that your workplace is inaccessible to youngsters by closing and locking all entrances when you are away. Never allow visitors in your shop when assembling, adjusting or operating equipment.



SECTION 4: ASSEMBLY

Beginning Assembly

Most of your Model G8691 Wood Lathe has been assembled at the factory, but some parts must be assembled or installed after delivery. We have organized the assembly process into steps. Please follow along in the order presented here.

TOOLS REQUIRED: A metric socket set, 6" adjustable wrench, and Phillips® head screw driver.

WARNING

All die-cut metal parts have a sharp edge (called “flashing”) on them after they are formed. This is removed at the factory. Sometimes, though, a bit of flashing might escape inspection. Please examine the edges of all die-cut metal parts before handling them. Serious injury may occur.



Stand

The stand consists of 8 pieces; 4 legs and 4 stabilizer bars. With the included bolts, washers and nuts, assemble the 4 stabilizer bars to each of the 4 legs, being certain not to fully tighten the assembly at this time.

With the stand pieces together, use a bench or stand to place the lathe unit upside down as shown in **Figure 2**. Attach each of the 4 legs to the base of the lathe unit, making sure that the bolts are tight. Tighten the remaining bolts located at each of the stabilizer ends. Turn the lathe and stand right-side up and check to see if the lathe bed is parallel to the ground. Loosen and adjust the stand bolts accordingly until the lathe is level. Be careful not to loosen the bolts too much as the lathe may tip over. Make sure that all the bolts are securely tightened before continuing.



Figure 3.



Tool Rest

The tool rest is equipped with a horizontal and a vertical adjustment lever. By loosening the levers, the tool rest can be precisely placed along the workpiece for safe and efficient removal of wood stock.



Tailstock

The Model G8691 is supplied with a #2 Morse Taper live center. The tailstock can be adjusted along the length of the lathe bed to accommodate various lengths of wood stock. There are two ways to adjust the tailstock. The bolt located under the lathe bed can be loosened, allowing the tailstock to slide up and down the length of the lathe bed. The hand wheel can also be loosened allowing the threaded spindle to move back and forth in the tailstock. **Figure 4.**

ASSEMBLY, CONT.

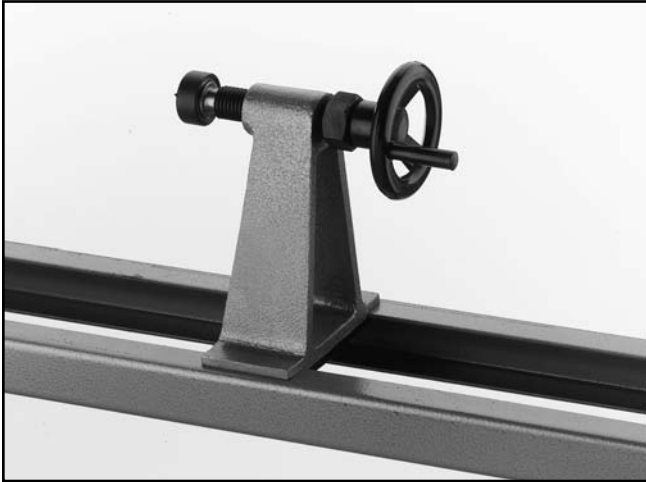


Figure 4.

It is important to make sure the spur center and live center are lined up with one another. The easiest way to accomplish this is to make sure the tailstock “footprint” is centered over the width of the lathe bed. Loosen the bolt holding the tailstock secure to lathe bed and adjust the assembly until alignment is achieved, then tighten securely.

⚠️ WARNING

Make sure the live center in the tailstock lines up with the spur center in the headstock before turning anything between the centers. Failure to observe this step could result in the workpiece being thrown from the lathe. Serious personal injury could occur if care is not taken.

Spur Center

The Model G8691 is supplied with a #2 Morse Taper spur center for use when spindle turning. The spur center is used in conjunction with the tailstock live center. Before installing the spur center, thread spindle nut onto shaft and lightly tighten nut. Then insert the spur center into the hole in the spindle end. To remove the spur center, use the supplied open end wrench and an adjustable wrench to thread the spindle nut off along with the spur center. **Figure 5.**



Figure 5.

Faceplate

The faceplate is used for turning plates and bowls. To install the faceplate, remove the spur center. Using the supplied open-end wrench to hold the spindle, thread the faceplate onto the spindle threads. Tighten securely with fingers and use the mounting holes on the faceplate to attach wood stock. **Figure 6.**



Figure 6.

SECTION 5: OPERATIONS

Test Run

Once assembly is complete and adjustments are made to your satisfaction, you are ready to test run the machine.

Turn on the power supply at the main panel. Press the START button. Make sure that your finger is poised on the STOP button, just in case there's a problem. The lathe should run smoothly, with little or no vibration or rubbing noises. Strange or unnatural noises should be investigated and corrected before operating the machine further.

If you cannot easily locate the source of an unusual noise or vibration, contact our service department for help.

WARNING

DO NOT attempt to investigate or adjust the machine while it is running. Wait until the machine is turned off, unplugged and all the working parts have come to rest before you do anything! Serious personal injury may occur.

WARNING

Operating this equipment has the potential to propel debris into the air which can cause eye injury. Always wear safety glasses or goggles when operating equipment. Everyday glasses or reading glasses only have impact resistant lenses, they are not safety glasses. Be certain the safety glasses you wear meet the appropriate standards of the American National Standards Institute (ANSI).



Spindle Turning

To mount a workpiece between centers:

1. Locate the center point on both ends of the workpiece by carefully drawing diagonal lines from corner to corner. The point of intersection should be at the center of the work.
2. When turning stock with a diameter greater than 2", remove the corner length edges with a hand plane or use a similar operation.
3. Hold the spindle vertically and support it on a solid surface. Line up the spur center with the center of the workpiece. Drive the spur center into the stock about 1/4" using a dead blow hammer. Be careful not to split the workpiece. Wood with splits along the grain may fly off during the operation. With dense wood, drill a hole at the centers and score lines with a saw blade for the spur.
4. Once the spur center is firmly attached to the workpiece, insert the spur center (with the attached workpiece) into the headstock spindle. Make sure the spur center taper seats into the spindle.
5. While supporting the workpiece, slide the tailstock close to the end of the workpiece and lock into place.
6. Line up the live center with the workpiece center. Turn the handwheel to press the point of the live center into the workpiece.
7. Lock the tailstock in place.

WARNING

Do not press too firmly or the bearings will bind and overheat. On the other hand, do not adjust too loosely or the workpiece will spin off the lathe. Serious personal injury could result if care is not taken.



OPERATIONS, CONT.

Speed Selector

The variable speed selector allows the adjustment of the spindle R.P.M. Before turning the lathe on, make sure the speed selector knob is set at the lowest R.P.M. (turn counterclockwise). **Figure 7.**

Once the lathe is turned on, slowly increase the R.P.M. of the lathe by turning the speed selector knob clockwise. Make sure that your finger is poised on the STOP button, just in case there's a problem. The lathe should run smoothly, with little or no vibration or rubbing noises. Strange or unnatural noises should be investigated and corrected before operating the machine further.

If you cannot easily locate the source of an unusual noise or vibration, contact our service department for help.

CAUTION

Remember to choose the correct speed for your particular turning project. As a general rule, the larger the workpiece diameter, the slower the speed should be. Always start at the slowest speed.



Figure 7.



Tool Rest

Adjust the tool rest as close to the workpiece as possible without actually coming into contact with the workpiece. Test by hand-turning the workpiece before starting the lathe. Ensure that the lathe chisel is fully supported by the tool rest. Support the lathe chisel on the tool rest with one hand, while the other hand controls the chisel. **Figure 8.**



Figure 8.

WARNING

Make sure the live center in the tailstock lines up with the spur center in the headstock before turning anything between the centers. Failure to observe this step could result in the workpiece being thrown from the lathe. Serious personal injury could occur if care is not taken.




SECTION 6: MAINTENANCE

General

Regular periodic maintenance on your Model G8691 Wood Lathe will ensure its optimum performance. Make a habit of inspecting your lathe each time you use it. Check for the following conditions and repair or replace when necessary:


1. Loose mounting bolts.
2. Worn switch.
3. Worn or damaged cords and plugs.
4. Damaged V-belt.

The non-painted surfaces on the Model G8691 should be protected against rust and pitting. Wiping the lathe clean after every use ensures that moisture from wood dust isn't allowed to trap moisture against bare metal surfaces.




Lubrication

Since all bearings are shielded and permanently lubricated, simply leave them alone until they need to be replaced. Do not lubricate them.



V-Belt

Inspect regularly for tension and wear. Check pulleys to ensure that they are properly aligned. Proper tension is indicated by no more than 1/4" deflection of belt when pushed lightly at a point equally between the two pulleys.



WARNING

Before performing any type of inspection or maintenance work on this lathe, be sure that the power cord is unplugged and all moving parts have come to a complete stop. Serious personal injury could occur.

SECTION 7: CLOSURE

The following pages contain general machine data, parts diagrams/lists, troubleshooting guide and Warranty/Return information for your Model G8691 Wood Lathe.

If you need parts or help in assembling your machine, or if you need operational information, we encourage you to call our Service Department. Our trained service technicians will be glad to help you.

If you have comments dealing specifically with this manual, please write to our Bellingham, Washington location using the address in Section 3 Introduction.

We have included some important safety measures that are essential to this machine's operation. While most safety measures are generally universal, Grizzly reminds you that each workshop is different and safety rules should be considered *as they apply to your specific situation*.

WARNING

Operating this equipment has the potential for flying debris to cause eye injury. Always wear safety glasses or goggles when operating equipment. Everyday glasses or reading glasses only have impact resistant lenses, they are not safety glasses. Be certain the safety glasses you wear meet the appropriate standards of the American National Standards Institute (ANSI).

We recommend you keep a copy of our current catalog for complete information regarding Grizzly's warranty and return policy. If you need additional technical information relating to this machine, or if you need general assistance or replacement parts, please contact the Service Department listed in **Section 3: Introduction**.

Additional information sources are necessary to realize the full potential of this machine. Trade journals, woodworking magazines, and your local library are good places to start.

WARNING

The Model G8691 was specifically designed for wood turning operations. **DO NOT MODIFY AND/OR USE THIS MACHINE FOR ANY OTHER PURPOSE.** Modifications or improper use of this tool will void the warranty. If you are confused about any aspect of this machine, **DO NOT** use it until all your questions have been answered. Serious personal injury may occur.

WARNING

Like all power tools, there is danger associated with the Model G8691 Wood Lathe. Accidents are frequently caused by lack of familiarity or failure to pay attention. Use this tool with respect and caution to lessen the possibility of operator injury. If normal safety precautions are overlooked or ignored, serious personal injury may occur.





MACHINE DATA SHEET

Customer Service #: (570) 546-9663 • To Order Call: (800) 523-4777 • Fax #: (800) 438-5901

GRIZZLY MODEL G8691 WOOD LATHE WITH STAND

Design TypeFloor Model

Overall Dimensions:

Including Stand42" H x 17" W x 54¹/₄" L
 Shipping Weight76 lbs.
 Weight in Place63 lbs.
 Box Size55¹/₂" L x 13" W x 10³/₄" H
 Footprint17" x 54¹/₄"

Construction:

BedFormed Sheet Steel
 HeadstockCast Iron
 StandFormed Sheet Steel
 SpindleShielded & Lubricated Ball Bearings

Specifications:

Swing Over Bed.....14"
 Swing Over Tool Rest.....12¹/₄"
 Floor to Center Height39³/₄"
 Distance Between Centers40"
 Spindle Size1" x 8 TPI RH
 Tailstock Taper/CenterMT #2/Live Center
 Spindle Taper/CenterMT #2/Spur Center
 Range of SpeedsVariable, 0 - 3,000 R.P.M.

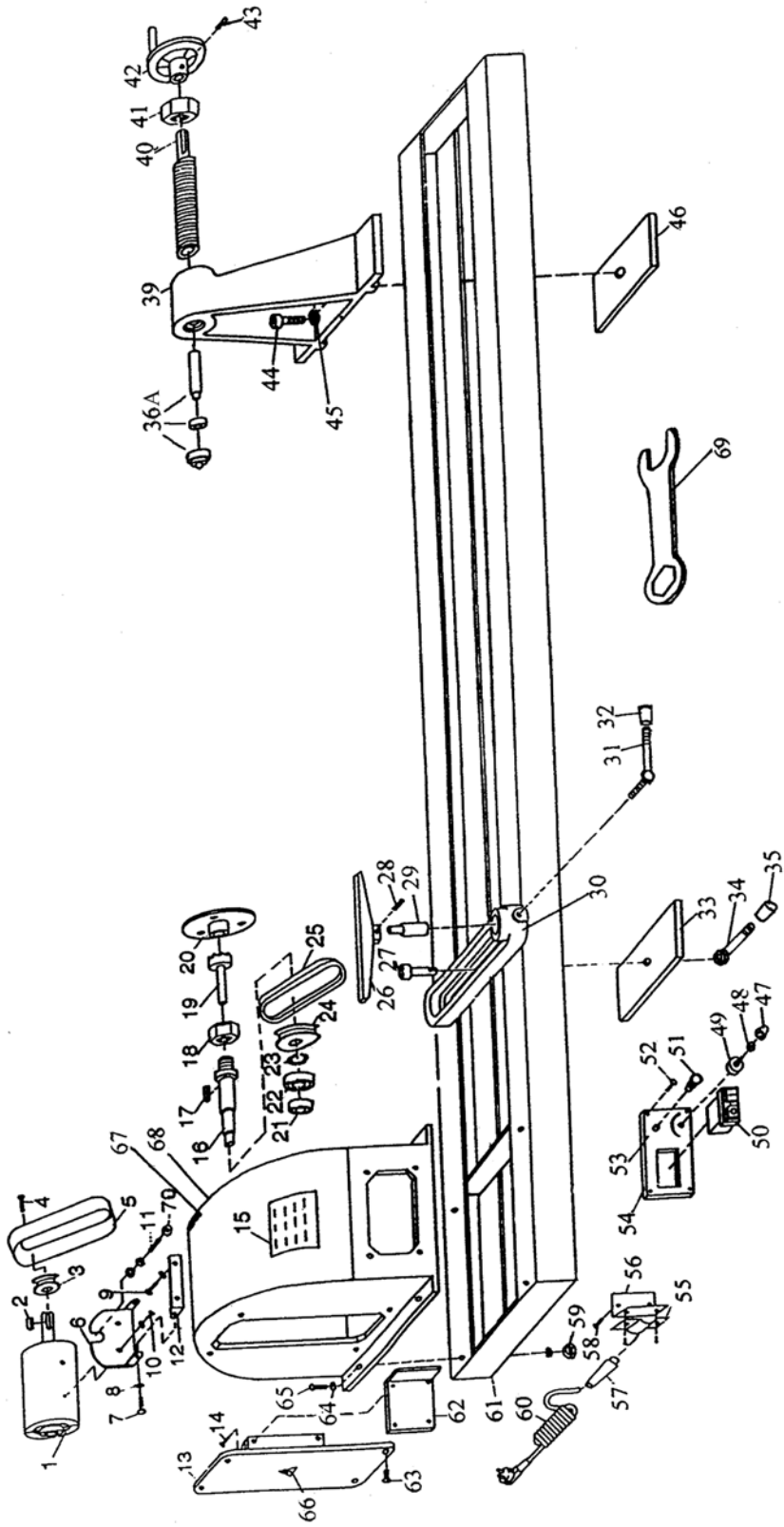
Motor:

TypeUniversal Brush Type
 Horsepower¹/₂ H.P.
 Phase/CycleSingle Phase/60 Hz
 Voltage110 V
 Amps3.1
 R.P.M.5,000
 BearingsShielded & Lubricated Ball Bearings
 SwitchPush Button with Variable Speed Dial

Standard Features:

.....6" Face Plate
Articulated Tool Rest Support

Specifications, while deemed accurate, are not guaranteed.



Ref#	Part#	Description
001	P8691001	Motor
002	P8691002	Shaft Pin
003	P8691003	Motor Pulley
004	P8691004	Phillips® Hd Scr M6 x 20
005	P8691005	Belt Cover
006	P8691006	Motor Mount Plate
007	P8691007	Hex Head Screw M8 x 16
008	PW 01M	Washer M8
009	P8691009	Hex Hd Scr M8 x 16
010	P8691010	Hex Hd Scr M6 x 12
011	P8691011	Stud M8 x 40
012	P8691012	Adjustment Plate
013	P8691013	Circuit Base
014	P8691014	Self Tapping Scr M3 x 8
015	P8691015	Label
016	P8691016	Spindle
017	P8691017	Shaft Pin
018	P8691018	Shaft Nut
019	G2522	M.T. #2 Spur Center
020	P8691020	Face Plate
021	P8691021	Ball Bearing
022	P8691022	Ball Bearing
023	P8691023	Internal Retaining Ring
024	P8691024	Shaft Pulley
025	P8691025	V-Belt
026	P8691026	Tool Rest
027	P8691027	Hex Hd Scr M12 x 40
028	P8691028	Socket Setscrew M8 x 10
029	P8691029	Tool Rest Shaft
030	P8691030	Tool Rest Base
031	P8691031	Lever Shaft
032	P8691032	Lever Knob
033	P8691033	Tool Rest Tension Plate
034	P8691034	Lever Shaft
035	P8691035	Lever Knob
36A	G1807	M.T. #2 Live Center
039	P8691039	Tailstock
040	P8691040	Guide Screw
041	P8691041	Hex Hd Scr M24 x 3
042	P8691042	Tailstock Hand Wheel
043	P8691043	Socket Setscrew M6 x 10
044	P8691044	Hex Hd Scr M12 x 40
045	PW06M	Washer M12
046	P8691046	Tailstock Tension Plate
047	P8691047	Turning Knob
048	P8691048	Nut
049	P8691049	Speed Switch
050	G8992	Switch
051	P8691051	Fuse

Ref#	Part#	Description
052	P8691052	Phillips® Hd Scr M6 x 12
053	P8691053	Switch Label
054	P8691054	Switch Faceplate
055	P8691055	Bracket
056	P8691056	Press Plate
057	P8691057	Rubber Sheath
058	P8691058	Phillips® Hd Scr M4 x 10
059	PN03M	Nut M8
060	PWRCRD110L	Power Cord 110v, Long W/Plug
061	P8691061	Lathe Bed
062	P8691062	Electronic Circuit
063	P8691063	Phillips® Hd Scr M6 x 12
064	PW 01M	Washer M8
065	P8691065	Hex Hd Scr M8 x 16
066	P8691066	Electric Label
067	P8691067	Directional Label
068	P8691068	Cover
069	P8691069	Wrench
070	PN03M	Nut M8

WARRANTY AND RETURNS

Grizzly Industrial, Inc. warrants every product it sells for a period of **1 year** to the original purchaser from the date of purchase. This warranty does not apply to defects due directly or indirectly to misuse, abuse, negligence, accidents, repairs or alterations or lack of maintenance. This is Grizzly's sole written warranty and any and all warranties that may be implied by law, including any merchantability or fitness, for any particular purpose, are hereby limited to the duration of this written warranty. We do not warrant or represent that the merchandise complies with the provisions of any law or acts unless the manufacturer so warrants. In no event shall Grizzly's liability under this warranty exceed the purchase price paid for the product and any legal actions brought against Grizzly shall be tried in the State of Washington, County of Whatcom.

We shall in no event be liable for death, injuries to persons or property or for incidental, contingent, special, or consequential damages arising from the use of our products.

To take advantage of this warranty, contact us by mail or phone and give us all the details. We will then issue you a "Return Number," which must be clearly posted on the outside as well as the inside of the carton. We will not accept any item back without this number. Proof of purchase must accompany the merchandise.

The manufacturers reserve the right to change specifications at any time because they constantly strive to achieve better quality equipment. We make every effort to ensure that our products meet high quality and durability standards and we hope you never need to use this warranty.

Please feel free to write or call us if you have any questions about the machine or the manual.

Thank you again for your business and continued support. We hope to serve you again soon.

WARRANTY CARD

Name _____
Street _____
City _____ State _____ Zip _____
Phone Number _____ E-Mail _____ FAX _____
MODEL # G8691 Wood Lathe w/ Stand Order # _____

The following information is given on a voluntary basis. It will be used for marketing purposes to help us develop better products and services. Of course, all information is strictly confidential.

- How did you learn about us?
 Advertisement Friend
 Catalog Card Deck
 World Wide Web
 Other _____
- Which of the following magazines do you subscribe to.
 American Woodworker Practical Homeowner
 Cabinetmaker Shop Notes
 Family Handyman Today's Homeowner
 Fine Homebuilding WOOD
 Fine Woodworking Wooden Boat
 Home Handyman Woodshop News
 Journal of Light Construction Woodsmith
 Old House Journal Woodwork
 Popular Mechanics Woodworker
 Popular Science Woodworker's Journal
 Popular Woodworking Workbench
 Other _____
- Which of the following woodworking/remodeling shows do you watch?
 Backyard America The New Yankee Workshop
 Home Time This Old House
 The American Woodworker Woodwright's Shop
 Other _____
- What is your annual household income?
 \$20,000-\$29,999 \$60,000-\$69,999
 \$30,000-\$39,999 \$70,000-\$79,999
 \$40,000-\$49,999 \$80,000-\$89,999
 \$50,000-\$59,999 \$90,000 +
- What is your age group?
 20-29 50-59
 30-39 60-69
 40-49 70 +
- How long have you been a woodworker?
 0 - 2 Years 8 - 20 Years
 2 - 8 Years 20+ Years
- How would you rank your woodworking skills?
 Simple Advanced
 Intermediate Master Craftsman
- What stationary woodworking tools do you own? Check all that apply.
 Air Compressor Panel Saw
 Band Saw Planer
 Drill Press Power Feeder
 Drum Sander Radial Arm Saw
 Dust Collector Shaper
 Horizontal Boring Machine Spindle Sander
 Jointer Table Saw
 Lathe Vacuum Veneer Press
 Mortiser Wide Belt Sander
 Other _____
- How many of your woodworking machines are Grizzly? _____
- Which benchtop tools do you own? Check all that apply.
 1" x 42" Belt Sander 6" - 8" Grinder
 5" - 8" Drill Press Mini Lathe
 8" Table Saw 10" - 12" Thickness Planer
 8" - 10" Bandsaw Scroll Saw
 Disc/Belt Sander Spindle/Belt Sander
 Mini Jointer
 Other _____
- How many of the machines checked above are Grizzly? _____
- Which portable/hand held power tools do you own? Check all that apply.
 Belt Sander Orbital Sander
 Biscuit Joiner Palm Sander
 Circular Saw Portable Planer
 Detail Sander Saber Saw
 Drill/Driver Reciprocating Saw
 Miter Saw Router
 Other _____
- What machines/supplies would you like Grizzly Industrial to carry?
 12" Table Saw Radial Arm Saw
 12" Jointer Panel Saw
 Combination Planer/Joiner Brass Hardware
 Paint & Finishing Supplies Lumber
 Contractor's Supplies
 Other _____
- What new accessories would you like Grizzly Industrial to carry?
 Builders Hardware Hand Tools
 Fasteners Wood Components
 Other _____
- What other companies do you purchase your tools and supplies from?

- Do you think your purchase represents good value?
 Yes No
- Would you recommend Grizzly Industrial to a friend?
 Yes No
- Would you allow us to use your name as a reference for Grizzly customers in your area? **Note: We never use names more than three times.**
 Yes No
- Comments: _____

FOLD ALONG DOTTED LINE



Place
Stamp
Here



GRIZZLY INDUSTRIAL, INC.
P.O. BOX 2069
BELLINGHAM, WA 98227-2069



FOLD ALONG DOTTED LINE

Send a Grizzly Catalog to a friend:

Name _____
Street _____
City _____ State _____ Zip _____

TAPE ALONG EDGES--PLEASE DO NOT STAPLE