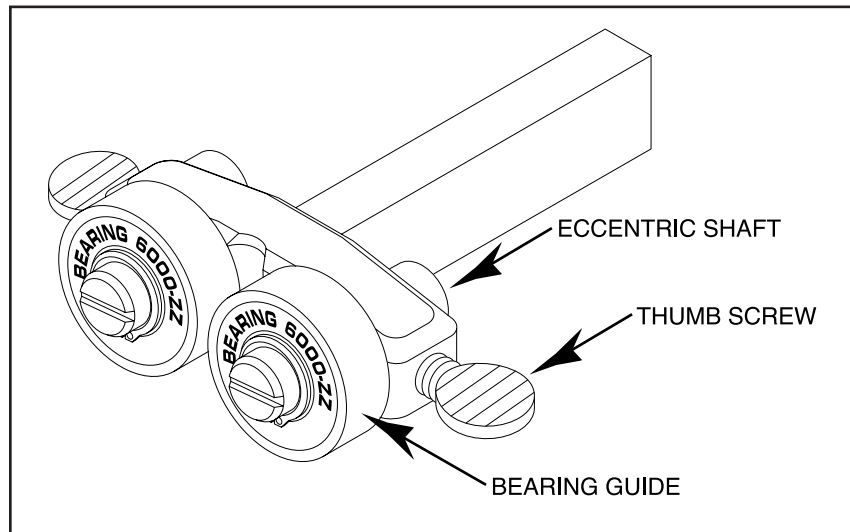


G4816 G4817 G4818 G4819 Instructions



1. Remove band saw blade per instructions in your manual.
2. Remove both upper and lower blade guides.
3. Install ball bearing guides in place of old guides.
4. Re-install blade.
5. Set the bearing guide so the bearing just clears the teeth of the blade. The blade will be damaged if the bearing comes in contact with the teeth during operation.
6. Loosen both thumb screws on the upper bearing guide.
7. Rotate each eccentric shaft until the bearing just touches the side of the blade. Tighten down the thumb screws. Make sure the bearing guides are not pinching the blade. This can cause premature bearing wear.
8. Repeat steps 5-7 for the bottom bearing guide.
9. If access to the thumb screws is limited or they interfere with a guard or bracket, replace them with hex bolts. Be sure not to over tighten!
10. Reset the back-up bearing per the instructions in your bandsaw manual.

