

600 Series Espresso™ Series Espresso Coffee Grinders

Instruction Manual for Models 625 and 650



Model 625



Model 650



GRINDMASTER™
CORPORATION

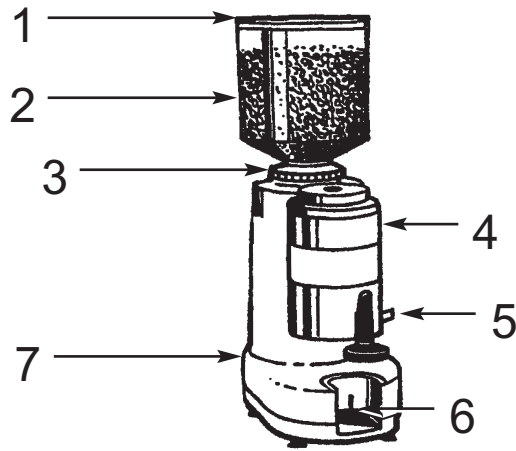
Grindmaster® Coffee Grinders and Brewers • Espresso® Espresso Machines • Crathco® Hot Beverage Dispensers
Crathco® Cold and Frozen Beverage Dispensers • American Metal Ware® Coffee and Tea Systems
Tel (502) 425-4776 • Fax (502) 425-4664 • Toll-Free 1-800-695-4500
P. O. Box 35020 • Louisville, KY 40232 • USA
www.grindmaster.com • email: info@grindmaster.com

600 SERIES ESPRESSO GRINDERS

INSTRUCTION MANUAL

WARNING - UNPLUG GRINDER FROM OUTLET BEFORE SERVICING OR ADJUSTING

- 1) Bean Hopper Lid
- 2) Bean Hopper
- 3) Grind Adjustment Dial
- 4) Dosing Chamber
- 5) Dosing Lever
- 6) Filter Holder Guide
- 7) On/Off Switch



INSTALLATION

1. Place bean hopper on grinder base
2. Press grind adjustment tab down
3. Turn grind adjustment dial clockwise until grinding burrs touch
4. Turn dial back counterclockwise five notches
5. The grinder should now be set to the correct grind (slight adjustment may be necessary)
6. Place whole bean coffee in hopper
7. Plug grinder into grounded outlet
8. Turn power switch on
9. Open bean hopper shutoff by pulling out bean hopper shutter
10. If grinder does not start grinding, grind may need to be adjusted to a coarser setting by turning the adjustment dial counterclockwise

HOW TO OPERATE

1. Remove bean hopper lid
2. Fill bean hopper with whole bean coffee
3. Turn the grinder "on" to fill the doser with ground coffee
For the Model 625, turn the grinder "off" when the doser is filled
For the Model 650, leave the switch in the "on" position — The grinder will automatically turn on and refill the dosing chamber when the sensing switch senses it is low
4. Place the filter holder under the doser outlet until it rests at the filter stop

5. Pull the dosing lever once for a single serving or twice for a double serving

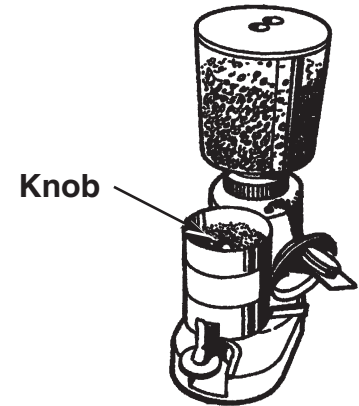
NOTE: The coffee in the dosing chamber must cover the portioning dividers in order to accurately dispense a portion

6. Lightly tamp and level the grounds with even pressure as needed
7. Wipe or brush away any excess grounds on the rim of the filter holder
8. You are now ready to load the filter holder into the espresso machine and start the brewing process

TO ADJUST THE PORTION (DOSER)

The amount of coffee dispensed from the doser may be adjusted as follows:

1. Remove the doser lid
2. Locate the knob in the center of the dosing chamber
3. To decrease the portion size turn the knob clockwise
4. To increase the portion size turn the knob counterclockwise



NOTE: You will feel/hear the knob click at each setting. When increasing the setting take care not to turn the knob too far. When clicking stops, turn clockwise until you reach the first click. This setting is the maximum dosage.

TO ADJUST THE GRIND

1. Locate the grind adjustment dial
2. Press down grind adjustment tab
3. To adjust to a finer grind turn the dial clockwise

NOTE: If dial stops, the grinding burrs are touching. Turn dial back a minimum of two notches. The approximate range for espresso grind should be 4-6 notches back after the burrs are touching.

4. To adjust to a coarser grind, turn the dial counterclockwise

NOTE: The precision burrs are very sensitive to adjustments; therefore, a slight adjustment is all that may be needed. Only adjust one notch at a time.

TROUBLE SHOOTING GUIDE

PROBLEM	PROBABLE CAUSE	REMEDY
Grinder will not start.	Not plugged in.	Plug grinder in outlet.
	Automatic reset has tripped.	Turn grinder off and wait five minutes.
Motor runs but no coffee is ground.	Bean shutoff is closed.	Open bean shutoff.
	Beans placed in dispenser, not hopper.	Remove beans from dispenser and place in hopper.
Motor hums but no coffee comes out.	Coffee jammed in burrs.	Turn grinder off. Coarsen grind adjustment and try again.
	Foreign object in burrs.	Unplug grinder, close bean shutoff and remove hopper. Unscrew grind adjustment dial and remove foreign object.
Metal scraping sound from grinder.	Burrs touching each other.	Turn off grinder. Coarsen grind adjustment.

IF YOU STILL NEED HELP, CALL OUR SERVICE DEPARTMENT (1-800-695-4500) OR AN AUTHORIZED SERVICE CENTER IN YOUR AREA. PLEASE HAVE THE MODEL AND SERIAL NUMBER READY SO ACCURATE INFORMATION CAN BE GIVEN.