

INSTRUCTIONS–PARTS LIST



309445

Rev. E



Important Safety Instructions

- Read all warnings and instructions in this manual. Save these instructions.

To find your local Graco authorized service center:

- Call us at 1–800–690–2894
- Visit our website at www.graco.com

Pressure Roller with 20” Heavy Duty Extension, EvenFlow™ Roller Frame and Contractor™ Inline Valve

– For the rolled application of architectural paints and coatings –

Model 245397, Series C

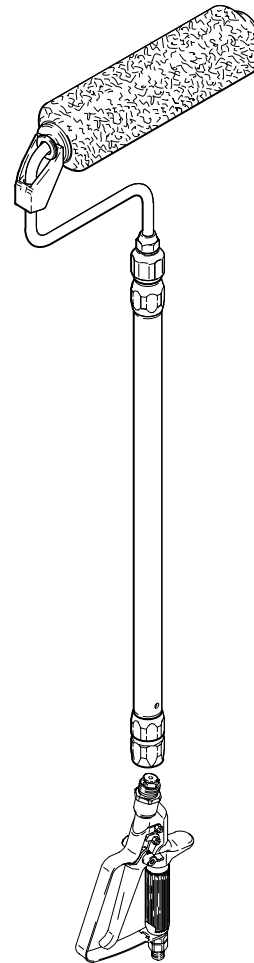
- 20 in. (50 cm) Heavy-Duty Extension
- 9 in. (23 cm) EvenFlow™ Roller Frame
- 1/2 in. (13 mm) Nap Roller Cover
- Contractor™ Inline Valve

*3600 psi (24.8 MPa, 248 bar) Maximum Fluid Inlet Pressure **

* The best operating pressure is the lowest pressure that provides an even paint supply to the roller and typically does not exceed 300 psi (2.1 MPa, 21 bar).

CAUTION

Never leave water in the pump, inline valve, or roller frame. Doing so could cause corrosion and damage from freezing. For storage, flush the system with Graco Pump Armor™ or mineral spirits/paint thinner.



GRACO INC. P.O. BOX 1441 MINNEAPOLIS, MN 55440-1441





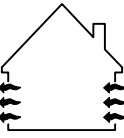


©COPYRIGHT 2001, GRACO INC.

Graco Inc. is registered to I.S. EN ISO 9001



H003

Warnings and Cautions

|  WARNING | |
|--|---|
| <p>EQUIPMENT MISUSE HAZARD Misuse can cause the equipment to rupture or malfunction and result in serious injury.</p> <p>To help prevent injury</p> <ul style="list-style-type: none"> • Do not modify the extension tube or roller frame or use parts not designed for this equipment. • Do not use 1,1,1-trichloroethane, methylene chloride, other halogenated hydrocarbon solvents or fluids containing such solvents in this or any other pressurized aluminum equipment. Such use could result in a chemical reaction, with the possibility of explosion. | <p style="text-align: center;"> INSTRUCTIONS</p> <p style="text-align: center;"></p> |
| <p>FIRE AND EXPLOSION HAZARD Improper grounding, poor ventilation, open flames or sparks can cause a hazardous condition and result in a fire or explosion and serious injury.</p> <p>To help prevent injury from fire or explosion</p> <ul style="list-style-type: none"> • Provide fresh air ventilation to avoid the buildup of flammable fumes from flushing fluids or the coating being applied. • Keep the application area free of debris, including solvent, rags, and gasoline. | <p style="text-align: center;"></p> <p style="text-align: center;"></p> |
| <p>SKIN INJECTION HAZARD If high-pressure fluid pierces your skin, the injury might look like “just a cut”. But it is a serious wound. Get immediate surgical treatment.</p> <p>To help prevent injection</p> <ul style="list-style-type: none"> • Keep your hands and body away from the roller frame when flushing. High pressure fluid emitted from the holes in the frame could cause an injection injury. • Always relieve pressure before you check or repair leaks and when you turn off pump or stop painting. • Never use components rated less than system <i>Maximum Working Pressure</i>. | <p style="text-align: center;"></p> |
| <p>ELECTROCUTION HAZARD Failure to observe the electrical hazards described below could result in serious injury, including burns or electrocution.</p> <p>To help prevent harmful electrical shock</p> <ul style="list-style-type: none"> • Avoid contact with power lines. • Follow all grounding instructions in your separate pump instruction manual, and comply with all local, state, and national fire, electrical, and safety regulations. • Use only Graco paint hoses. | <p style="text-align: center;"></p> |

Installation

Assemble pressure roller as shown in **Parts Drawing**, page 7. Attach pressure roller assembly to inline valve.

- When connecting EvenFlow roller frame to the Contractor™ Inline Valve, use a wrench to tighten.

Pressure Relief Procedure

WARNING



psi/MPa/bar

To help prevent injection injuries, follow this procedure whenever you stop painting.

1. Put inline valve trigger safety in SAFETY ON position (Fig. 1).
2. Shut off power to pump.
3. Turn prime/spray valve to PRIME position to relieve pressure in system.
4. Put inline valve trigger safety in SAFETY OFF position, and trigger inline valve to relieve any pressure in hose.
5. Put inline valve trigger safety in SAFETY ON position, and keep pump prime/spray valve in PRIME position until you paint again.

Operation

⚠ WARNING



SKIN INJECTION HAZARD

To reduce the risk of a fluid injection injury, do not operate the inline valve with the tip guard or trigger guard removed.

In-Line Valve Trigger Safety Lever

For SAFETY ON position, rotate trigger safety lever so it is in line with trigger. For SAFETY OFF position, flip safety lever so it is 90° to trigger. Fig. 1.

NOTE: In the SAFETY ON position the lever sits in a detent which holds it in place.



Fig. 1

Startup

NOTE:

Cleaning

NOTE: Follow this procedure to flush the roller frame and inline valve. The pump you are using may have additional flushing steps, such as cleaning filters and screens. See the pump flushing instructions.

Leave the roller frame attached to the inline valve for this procedure.

- The Contractor™ Inline Valve can be used as an airless spray gun by attaching a Handtite™ Guard and RAC5 Switchtip.

1. Follow pump priming instructions using lowest pressure setting at which pump primes.
2. Turn prime/spray valve to SPRAY position.
3. Disengage inline valve safety latch, trigger the inline valve, and roll the surface until paint comes to roller.

NOTE: Trigger the inline valve briefly only when you need more paint. Determine how often you must trigger the inline valve to maintain an even paint supply to the roller.

4. Increase pump pressure only if triggering inline valve cannot supply enough paint for your rolling speed.



5.

Relieve pressure, page 3, whenever you stop painting. Elevate roller end of extension tube to prevent paint from draining out.

Flush pump, inline valve, and roller frame immediately after each use to prevent paint from drying in roller frame and damaging it.

Cleaning the EvenFlow Roller Frame



1.

Relieve pressure, page 3.

2. Remove roller cover (19) and diffuser (23) from roller frame as follows (see **Parts Drawing**):
 - a. Using your thumb, press down on clip (5) to release end caps (2 & 4), diffuser (23) and roller cover (19) into a pail.
 - b. Remove roller cover (19) from diffuser (23).
 - c. Pull end caps (2 & 4) off diffuser (23).
3. Clean roller cover (19), caps (2 & 4) and diffuser (19) with water or a compatible fluid for oil-based materials.
4. Place roller frame (1) in paint pail. Be sure the holes in roller frame (1) are facing inside the paint pail.

5. Prime pump with water or flushing fluid for oil-based materials. Use the lowest pump priming pressure setting.

6. Turn prime/spray valve to SPRAY.

NOTE: Perform Step 7 at the lowest pressure possible.

7. Trigger inline valve until flushing fluid begins to dilute the paint.

8. Place roller frame (1) in another bucket and continue flushing until fluid coming out of the roller frame (1) is clear.

Cleaning Contractor Inline Valve

1.  **Relieve pressure**, page 3.

2. Push up on bottom of trigger guard and swing it away from trigger.

3. Unscrew inline valve handle from housing. Remove filter and clean it in compatible solvent.

NOTE: Do not soak entire inline valve in solvent. Prolonged exposure to solvent can ruin packings.

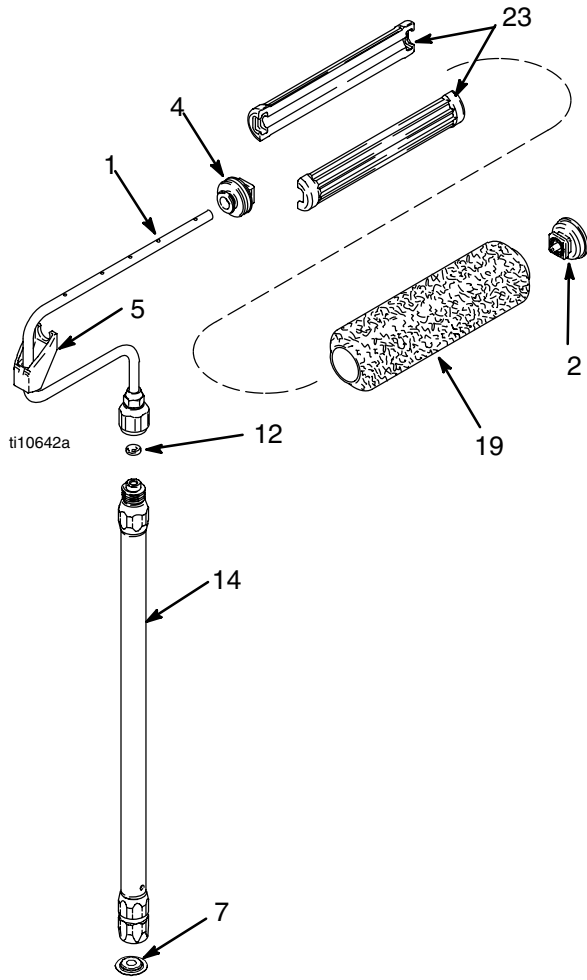
4. Apply lithium-based grease to threads of inline valve handle and reassemble inline valve.

Storage

If you are going to store the airless equipment for an extended period of time after flushing with water-base fluid, flush again with Graco Pump Armor or mineral spirits/paint thinner. Leave this fluid in the system during storage.

Parts List

Model 245397, Series A



Pressure Roller

| Ref. No. | Part No. | Description | Qty. |
|----------|----------|--|------|
| 1 | 244271* | FRAME, roller | 1 |
| 2 | 245999 | CAP, end (includes seal and retainer) | 1 |
| 4 | 246277 | CAP, end (includes seal, retainer, and o-ring) | 1 |
| 5 | 197106 | CLIP, roller | 1 |
| 7 | 15H622 | GASKET | 1 |
| 12 | 115524 | GASKET | 1 |
| 14 | 232122 | EXTENSION, 20 in. (50 cm) | 1 |
| 19 | 107590 | ROLLER, cover, 9 inch, 1/2 in. (13 mm) nap | 1 |
| 23 | 15B065 | DIFFUSER | 2 |

*244271 Frame includes 1, 2, 4, 5, 12, 19, 23.

Additional Roller Covers

The following pressure roller covers are available at your local distributor:

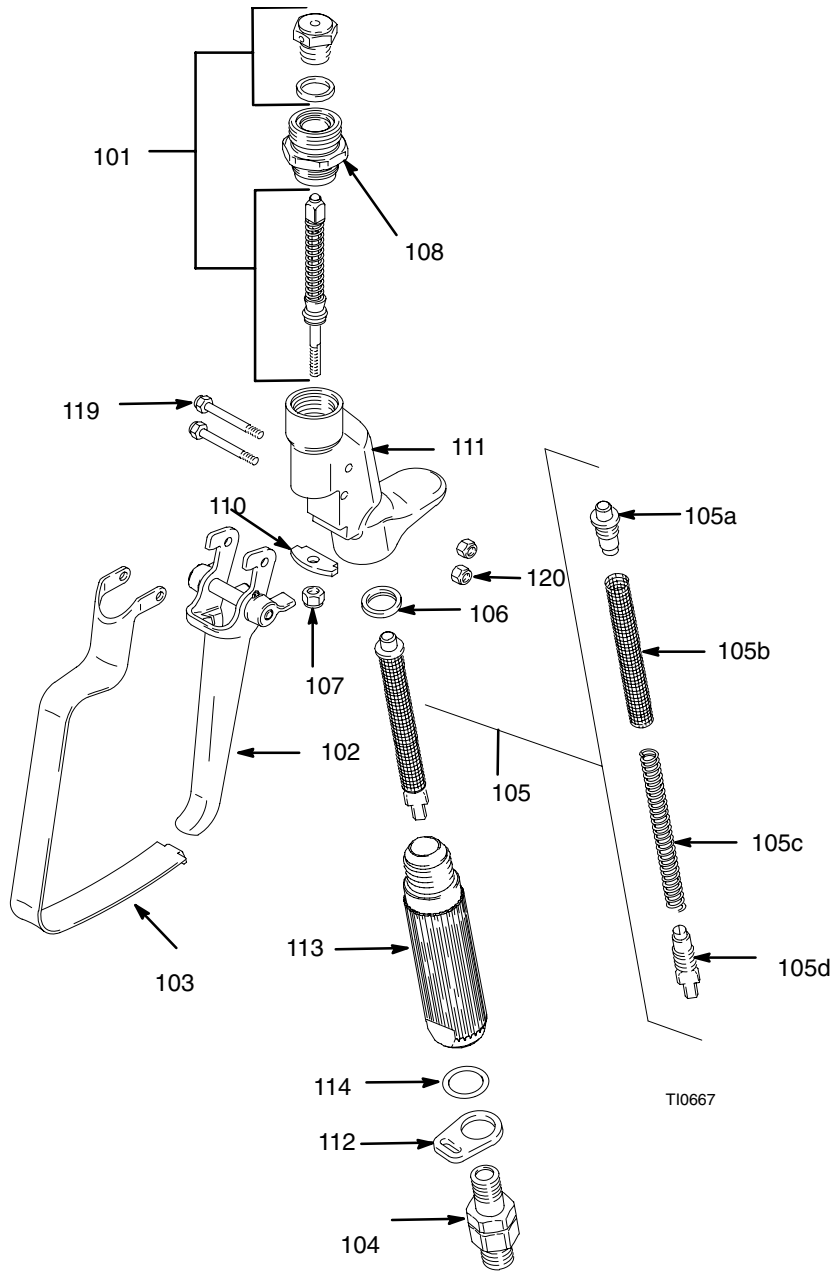
| | |
|---------------|--------------------------------------|
| 107589 | 9 in. (23 cm); 3/8 in. (9.5 mm) nap |
| 107590 | 9 in. (23 cm); 1/2 in. (13 mm) nap |
| 107591 | 9 in. (23 cm); 3/4 in. (19 mm) nap |
| 107592 | 9 in. (23 cm); 1-1/4 in. (32 mm) nap |

Additional Heavy Duty Extensions

The following extensions can be mixed and matched to create any length pressure roller needed and are available at your local distributor:

| | |
|---------------|-----------------|
| 232121 | 10 in. (25 cm) |
| 232122 | 20 in. (50 cm) |
| 232123 | 40 in. (100 cm) |
| 232124 | 60 in. (150 cm) |
| 232125 | 80 in. (200 cm) |

Parts List



Parts List

Contractor™ In-line Valve Model 244161

| Ref. No. | Part No. | Description | Qty. | Ref. No. | Part No. | Description | Qty. |
|----------|----------|--|------|----------|----------|-----------------|------|
| 101 | 218070 | NEEDLE-DIFFUSER/SEAT KIT | 1 | 107 | 107110 | LOCKNUT | 1 |
| 102 | 244193 | TRIGGER, valve, In-line (includes 107) | 1 | 108 | 197052 | ADAPTER, RAC | 1 |
| 103 | 196869 | GUARD, trigger | 1 | 110 | 197058 | BRACKET, stem | 1 |
| 104 | 238817 | KIT, swivel | 1 | 111 | 197568 | HOUSING, fluid | 1 |
| 105✓ | 218131 | FLUID FILTER ASSEMBLY (standard 50 mesh) includes replacement parts 5a, 5b, 5c, 5d | 1 | 112 | 113409 | RETAINER, guard | 1 |
| 105a | 179722 | RETAINER, spring | 1 | 113 | 195788 | HANDLE, valve | 1 |
| 105b | 179731 | ELEMENT, strainer | 1 | 114 | 104938 | PACKING, o-ring | 1 |
| 105c | 179763 | SPRING, compression | 1 | 119 | 177538 | STUD, trigger | 2 |
| 105d | 179750 | RETAINER, spring | 1 | 120 | 105334 | LOCKNUT | 2 |
| 106✓ | 179733 | SEAL, sleeve | 1 | | | | |

✓ *Keep these items on hand to reduce down time.*

- The Contractor™ Inline Valve contains a paint filter (218131) inside handle. The primary function of the paint filter is to prevent clogging of spray tips.
- The paint filter may be removed for rolling applications.
- Remove and clean filters after each use.

Graco Standard Warranty

Graco warrants all equipment manufactured by Graco and bearing its name to be free from defects in material and workmanship on the date of sale to the original purchaser for use. With the exception of any special, extended, or limited warranty published by Graco, Graco will, for a period of twelve months from the date of sale, repair or replace any part of the equipment determined by Graco to be defective. This warranty applies only when the equipment is installed, operated and maintained in accordance with Graco's written recommendations.

This warranty does not cover, and Graco shall not be liable for general wear and tear, or any malfunction, damage or wear caused by faulty installation, misapplication, abrasion, corrosion, inadequate or improper maintenance, negligence, accident, tampering, or substitution of non-Graco component parts. Nor shall Graco be liable for malfunction, damage or wear caused by the incompatibility of Graco equipment with structures, accessories, equipment or materials not supplied by Graco, or the improper design, manufacture, installation, operation or maintenance of structures, accessories, equipment or materials not supplied by Graco.

This warranty is conditioned upon the prepaid return of the equipment claimed to be defective to an authorized Graco distributor for verification of the claimed defect. If the claimed defect is verified, Graco will repair or replace free of charge any defective parts. The equipment will be returned to the original purchaser transportation prepaid. If inspection of the equipment does not disclose any defect in material or workmanship, repairs will be made at a reasonable charge, which charges may include the costs of parts, labor, and transportation.

THIS WARRANTY IS EXCLUSIVE, AND IS IN LIEU OF ANY OTHER WARRANTIES, EXPRESS OR IMPLIED, INCLUDING BUT NOT LIMITED TO WARRANTY OF MERCHANTABILITY OR WARRANTY OF FITNESS FOR A PARTICULAR PURPOSE.

Graco's sole obligation and buyer's sole remedy for any breach of warranty shall be as set forth above. The buyer agrees that no other remedy (including, but not limited to, incidental or consequential damages for lost profits, lost sales, injury to person or property, or any other incidental or consequential loss) shall be available. Any action for breach of warranty must be brought within two (2) years of the date of sale.

Graco makes no warranty, and disclaims all implied warranties of merchantability and fitness for a particular purpose in connection with accessories, equipment, materials or components sold but not manufactured by Graco. These items sold, but not manufactured by Graco (such as electric motors, switches, hose, etc.), are subject to the warranty, if any, of their manufacturer. Graco will provide purchaser with reasonable assistance in making any claim for breach of these warranties.

In no event will Graco be liable for indirect, incidental, special or consequential damages resulting from Graco supplying equipment hereunder, or the furnishing, performance, or use of any products or other goods sold hereto, whether due to a breach of contract, breach of warranty, the negligence of Graco, or otherwise.

FOR GRACO CANADA CUSTOMERS

The parties acknowledge that they have required that the present document, as well as all documents, notices and legal proceedings entered into, given or instituted pursuant hereto or relating directly or indirectly hereto, be drawn up in English. Les parties reconnaissent avoir convenu que la rédaction du présente document sera en Anglais, ainsi que tous documents, avis et procédures judiciaires exécutés, donnés ou intentés à la suite de ou en rapport, directement ou indirectement, avec les procédures concernées.

TO PLACE AN ORDER, contact your Graco distributor, or call this number to identify the distributor closest to you:
1-800-690-2894 Toll Free

*All written and visual data contained in this document reflect the latest product information available at the time of publication.
Graco reserves the right to make changes at any time without notice.*

This manual contains English. MM 309445

Graco Headquarters: Minneapolis
International Offices: Belgium, Korea, China, Japan
GRACO INC. P.O. BOX 1441 MINNEAPOLIS, MN 55440-1441
www.graco.com
9/2001, Revised 9/2007