

650 liter digital freezers

The Electrolux Prostore range is produced for the customer who needs refrigeration products suitable for gastronomic containers. The product range is comprised of 650 liter models with full or half door in AISI 304 or stainless steel. All the internal finishes are in stainless steel. The Prostore models detailed on this sheet are freezers with remote or built in refrigeration unit.



691223

MATERIALS

- Internal and external in stainless steel AISI 304 (galvanized back exterior).
- Runners and supports in stainless steel easily disassembled (without any tool) for more convenient cleaning.

EASY TO INSTALL

- All models require only 1 phase 220/240V supply. They can therefore be plugged straight into an existing power socket.

EASY TO USE

- Automatic evaporation of the defrosting water by hot gas on the top.

- Designed to operate at ambient temperatures up to +43 °C .
 - Hidden evaporator thus guaranteeing higher storage capacity and less corrosion problems.
 - Simple control panel: on/off switch, digital thermometer with increasing and reduction button, high/low humidity switch, control lamps and light switch.
 - Self closing and reversible left/right doors (not for glass door).
 - Door microswitch to stop the fan once the door is opened.
 - Light as standard in all models.
- The glass door models are equipped with internal vertical light for a better illumination of the products.

EASY TO MAINTAIN

- Insulation thickness: 60 mm to ensure effective insulation with minimum energy consumption.
- Door handle entirely in pressed stainless steel (without plastic) without joints gathering dust and dirt.
- Joints between side and bottom inner panels less than 0.5 mm (according to hygienic rules) in order to avoid the deposit of dirty residual that are origin of bacterial proliferation.
- Inner cell with rounded corners, bottom pressed in only one piece.
- Easy access to the main components for an easy maintenance.

**Electrolux Prostore
650 liter digital freezers**

EASY ON THE ENVIRONMENT

- CFC and HCFC free environmentally friendly: R404a gas in refrigeration circuit. Gas in foam: Cyclopentane.
- Low noise level - less than 57 dB (A).
- Developed and produced in ISO 9001 and ISO 14001 certified factory.
- All models comply with the standards required by the main international approval bodies and are H marked.

	PR06F1F 691223	PR06F1FR 691224	PR06F2F 691225
TECHNICAL DATA			
Operating temperature - min/max °C	-22/-15	-22/-15	-22/-15
Operating mode	Ventilated	Ventilated	Ventilated
External material panels	304 AISI	304 AISI	304 AISI
Gross capacity (D.I.N. 8952) - l.	650	650	650
Cooling unit	Built-In	Remote	Built-In
Control type	Digital	Digital	Digital
External dimensions - mm			
width	900	900	900
depth/with open doors	665, 1500	665, 1500	665, 1500
height	2112	2112	2112
N° and type of door	1	1	2x1/2
Door hinges	Right Side	Right Side	2 Right
N° and type of grids (included)	5, GN 2/1	5, GN 2/1	5, GN 2/1
Compressor power - HP	1/2		1/2
N° defrost in 24 hrs.	4/30' max	4/30'	4/20'
Refrigerant type	R404a	R404a	R404a
Refrigerant quantity - g.	270		270
Refrigeration power - W	780	975	780
Refrigerant power at evaporation temperature - °C	-26	-26	-26
Power - kW			
installed-electric	0.69	0.17	0.69
Net weight - kg.	130	120	130
INCLUDED ACCESSORIES			
PEDAL OPENING FOR REFRIGERATORS/FREEZERS	1	1	1
PLASTIC-COATED GRID GN 2/1	5	5	5
ACCESSORIES			
GN 2/1 WIRE BASKET-H-150 MM+SIDE RUNNERS			770350
GRID FOR WINE BOTTLES PROSTORE 650/1400	880167	880167	880167
HACCP ADV.CONN.10 UNITS-DIG.REF.(ID9XX)	880119	880119	880119
HACCP ADV.CONN.80 UNITS-DIG.REF.(ID9XX)	880132	880132	880132
HACCP ADV.CONN.PER UNIT-DIG.REF.(ID9XX)	880133	880133	880133
KIT HACCP EKIS	922166	922166	922166
PAIR OF RUNNERS FOR PROSTORE REFR.	880558	880558	880558
PEDAL OPENING FOR REFRIGERATORS/FREEZERS	880172	880172	880172
PLASTIC-COATED GRID GN 2/1	880306	880306	880306
PRINTER FOR HACCP BASIC VERSION REFRIG.	881457	881457	881457
S/S GRID GN 2/1 FOR PROSTORE	880160	880160	880160

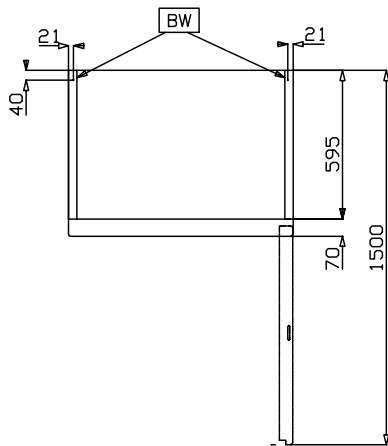
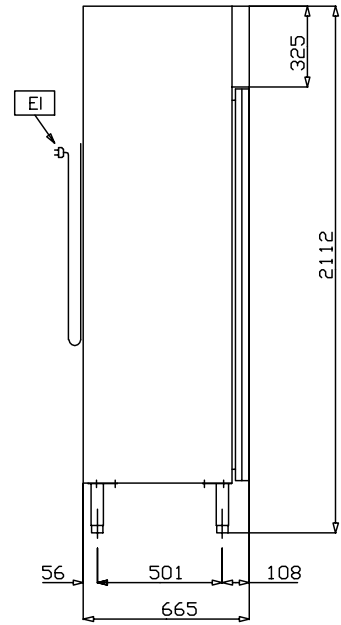
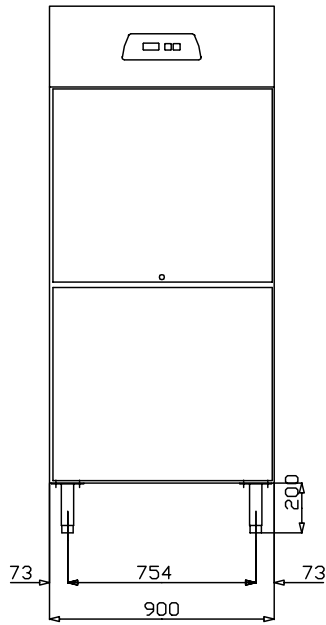
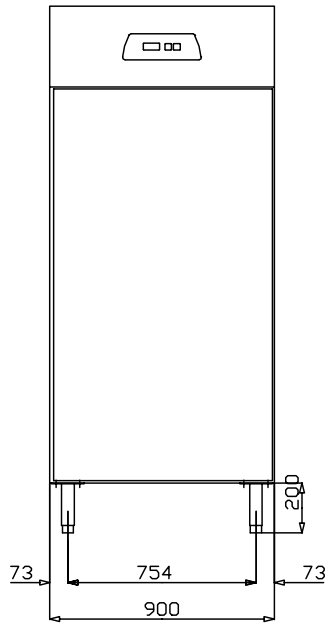
HAHC020

2009-10-06

Subject to change without notice

**Electrolux Prostore
650 liter digital freezers**

691223, 691225



Cod. 691217	Mod. ESF
Cod. 691219	Mod. ESF
Cod. 691223	Mod. ESF
Cod. 691225	Mod. ESF

NEW PROSTOR
900mm

HAHC020

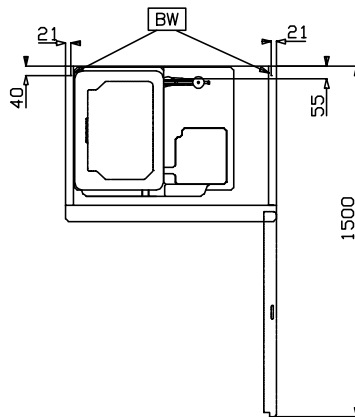
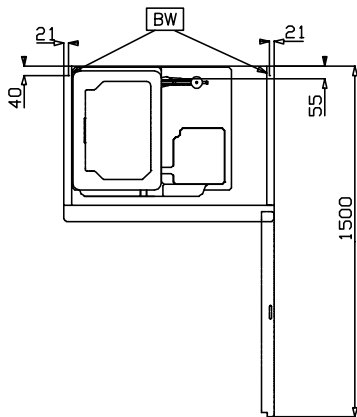
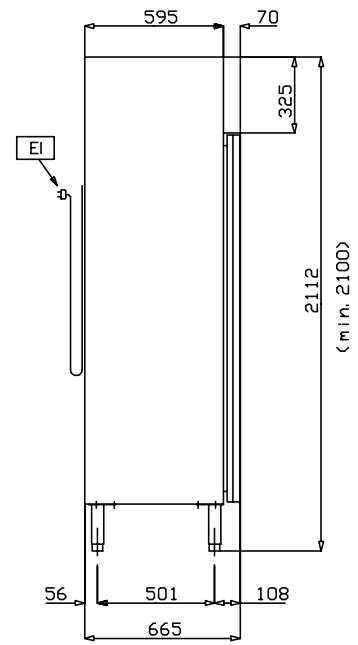
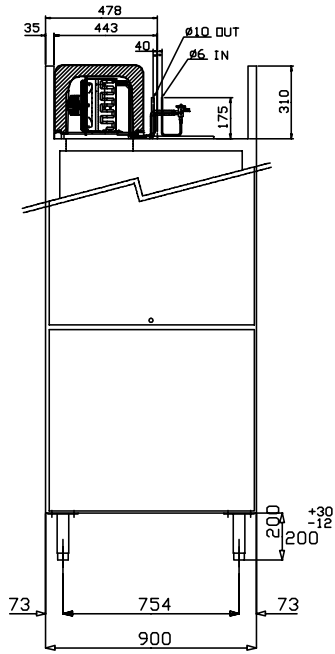
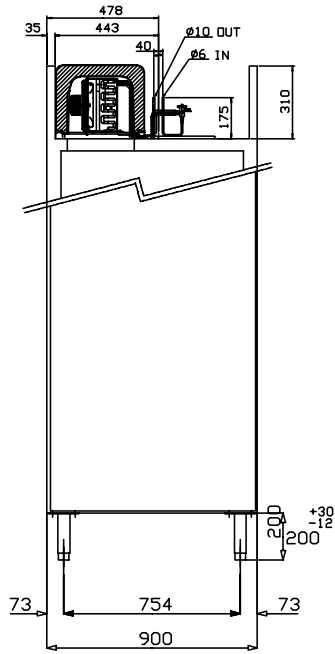
2009-10-06

Subject to change without notice

LEGEND	PR06F1F 691223	PR06F2F 691225
	EI - Electrical connection	230 V, 1N, 50

Electrolux Prostore
650 liter digital freezers

691224



Cod. 691218 Mod. ESR61FR
Cod. 691224 Mod. ESF61FR
Cod. 691220 Mod. ESR6212FR

NEW PROSTORE
900mm REMOTO

LEGEND

EI - Electrical connection
RI - Remote refrigeration connection

**PR06F1FR
691224**

230 V, 1N, 50

HAHC020

2009-10-06

Subject to change without notice