

ASPF

AIR HANDLERS

INSTALLATION & OPERATING INSTRUCTIONS

© 2007 - 2012 Goodman Manufacturing Company, L.P.
5151 San Felipe, Suite 500, Houston, TX 77056
www.goodmanmfg.com - or - www.amana-hac.com
P/N: IO-431 Date: May 2012

CONTENTS

Important Safety Instructions	2
Shipping Inspection	3
Codes & Regulations	3
Replacement Parts	3
Pre-Installation Instructions	3
Location	3
Ductwork	3
<i>Return Ductwork</i>	4
<i>Return Air Filters</i>	4
Electric Heat	4
HKR Installation	4
Electrical Supply Wire and MOP	4
<i>Building Electrical Service Inspection</i>	5
<i>Wire Sizing</i>	5
<i>Maximum Overcurrent Protection (MOP)</i>	5
<i>Electrical Connections – Supply Voltage</i>	5
<i>Air Handler Only (Non-Heat Kit Models)</i>	5
<i>Air Handler With Non-Circuit Breaker Heat Kits</i>	5
<i>Air Handler With Heat Kits</i>	
<i>Containing a Circuit Breaker</i>	5
<i>Low Voltage Connections</i>	6
Refrigerant Lines	6
<i>Tubing Preparation</i>	6
<i>Post Brazing</i>	6
<i>Piping Size</i>	6
<i>Special Instructions</i>	6
Downflow Conversion	7
Horizontal Conversion	7
Condensate Removal	8
Achieve 2% Low Leakage Rate	9
ASPF Motor	9
<i>CFM Delivery</i>	9
Start-Up Procedure	9
Regular Maintenance	9
ASPF Thermostat Connections	10
Cooling Unit w/Optional Heat Kits of 10kW and Below	10

Cooling Unit w/Optional Heat Kits of 15kW and Above and Room Thermostat w/Two Stages of Heat	11
Heat Pump Unit/Optional Heat Kits of 10kW and Below	11
Heat Pump Unit w/Optional Heat Kits of 15kW and Above	12
ASPF Wiring Diagram	13



RECOGNIZE THIS SYMBOL AS A SAFETY PRECAUTION.

ATTENTION INSTALLING PERSONNEL

Prior to installation, thoroughly familiarize yourself with this Installation Manual.
Observe all safety warnings. During installation or repair, caution is to be observed.
It is your responsibility to install the product safely and to educate the customer on its safe use.



Important Safety Instructions

The following symbols and labels are used throughout this manual to indicate immediate or potential safety hazards. It is the owner's and installer's responsibility to read and comply with all safety information and instructions accompanying these symbols. Failure to heed safety information increases the risk of personal injury, property damage, and/or product damage.

WARNING

HIGH VOLTAGE!

Disconnect ALL power before servicing. Multiple power sources may be present. Failure to do so may cause property damage, personal injury or death.



WARNING

Installation and repair of this unit should be performed **ONLY** by individuals meeting the requirements of an "entry level technician", at a minimum, as specified by the Air-Conditioning, Heating and Refrigeration Institute (AHRI). Attempting to install or repair this unit without such background may result in product damage, personal injury or death.

WARNING

This product is factory-shipped for use with 208/240/1/60 electrical power supply. **DO NOT** reconfigure this air handler to operate with any other power supply.

WARNING

To avoid property damage, personal injury or death due to electrical shock, this unit **MUST** have an uninterrupted, unbroken electrical ground. The electrical ground circuit may consist of an appropriately sized electrical wire connecting the ground lug in the unit control box to the building electrical service panel.

Other methods of grounding are permitted if performed in accordance with the National Electric Code (NEC)/American National Standards Institute (ANSI)/National Fire Protection Association (NFPA) 70 and local/state codes. In Canada, electrical grounding is to be in accordance with the Canadian Electric Code (CSA) C22.1.

CAUTION


When installing or servicing this equipment, safety clothing, including hand and eye protection, is strongly recommended. If installing in an area that has special safety requirements (hard hats, etc.), observe these requirements.


WARNING

Do not connect to or use any device that is not design-certified by Goodman for use with this unit. Serious property damage, personal injury, reduced unit performance and/or hazardous conditions may result from the use of such non-approved devices.

WARNING

To prevent the risk of property damage, personal injury, or death, do not store combustible materials or use gasoline or other flammable liquids or vapors in the vicinity of this unit.

**DANGER**
PELIGRO


CARBON MONOXIDE POISONING HAZARD

Special Warning for Installation of Furnace or Air Handling Units in Enclosed Areas such as Garages, Utility Rooms or Parking Areas

Carbon monoxide producing devices (such as an automobile, space heater, gas water heater, etc.) should not be operated in enclosed areas such as unventilated garages, utility rooms or parking areas because of the danger of carbon monoxide (CO) poisoning resulting from the exhaust emissions. If a furnace or air handler is installed in an enclosed area such as a garage, utility room or parking area and a carbon monoxide producing device is operated therein, there must be adequate, direct outside ventilation.

This ventilation is necessary to avoid the danger of CO poisoning which can occur if a carbon monoxide producing device continues to operate in the enclosed area. Carbon monoxide emissions can be (re)circulated throughout the structure if the furnace or air handler is operating in any mode.

CO can cause serious illness including permanent brain damage or death.

B10259-216

Important Note to the Owner regarding Product Warranty

Your warranty certificate is supplied as a separate document with the unit installed by your contractor. Read the limited warranty certificate carefully to determine what is and is not covered and keep the warranty certificate in a safe place. If you are unable to locate the warranty certificate please contact your installing contractor or contact customer service (877-254-4729) to obtain a copy.

To receive the 10 Year Parts Limited Warranty, online registration must be completed within 60 days of installation. Online registration is not required in California or Quebec. Complete warranty details are available from your local dealer or, for Goodman® brand products, visit www.goodmanmfg.com and for Amana® brand products, visit www.amana-hac.com.



is a registered trademark of Maytag Corporation or its related companies and is used under license to Goodman Company, L.P., Houston, TX. All rights reserved.

IMPORTANT: To register your Goodman® brand unit, go to www.goodmanmfg.com and click on "Warranty Registration". Complete registration as prompted.

To register your Amana® brand unit, go to www.amana-hac.com and click "Warranty Registration". Complete registration as prompted.

Product limited warranty certificates for models currently in production can be viewed at www.goodmanmfg.com or www.amana-hac.com. If your model is not currently in production or does not appear on the website, please contact your installing contractor or contact customer service (877-254-4729) to obtain a copy of your warranty certificate.

Each product overview page contains a Product Warranty link; by clicking on it you will be able to view the limited warranty coverage for that specific product. To view warranty registration information, click on the Product Warranty text on the left navigation panel on the home page of each website. The Online Product Registration pages are located in this same section.

Keep this literature in a safe place for future reference.

Shipping Inspection

Always keep the unit upright; laying the unit on its side or top may cause equipment damage. Shipping damage, and subsequent investigation is the responsibility of the carrier. Verify the model number, specifications, electrical characteristics, and accessories are correct prior to installation. The distributor or manufacturer will not accept claims from dealers for transportation damage or installation of incorrectly shipped units.

Codes & Regulations

This product is designed and manufactured to comply with national codes. Installation in accordance with such codes and/or prevailing local codes/regulations is the responsibility of the installer. The manufacturer assumes no responsibility for equipment installed in violation of any codes or regulations.

The United States Environmental Protection Agency (EPA) has issued various regulations regarding the introduction and disposal of refrigerants. Failure to follow these regulations may harm the environment and can lead to the imposition of substantial fines. Should you have any questions please contact the local office of the EPA.

Replacement Parts

When reporting shortages or damages, or ordering repair parts, give the complete product model and serial numbers as stamped on the product. Replacement parts for this product are available through your contractor or local distributor. For the location of your nearest distributor consult the white business pages, the yellow page section of the local telephone book or contact:

CONSUMER AFFAIRS
GOODMAN MANUFACTURING COMPANY, L.P.
7401 SECURITY WAY
HOUSTON, TEXAS 77040
(877) 254-4729

If replacing an air handler, the system must be manufacturer approved and Air-Conditioning, Heating, and Refrigeration Institute (AHRI) matched. **NOTE:** Installation of unmatched systems is strongly discouraged.

Pre-Installation Instructions

Carefully read all instructions for the installation prior to installing product. Make sure each step or procedure is understood and any special considerations are taken into account before starting installation. Assemble all tools, hardware and supplies needed to complete the installation. Some items may need to be purchased locally. Make sure everything needed to install the product is on hand before starting.

Location

NOTE: Air handlers are designed for *indoor installation only*.

Give special consideration to minimizing the length of refrigerant tubing when installing air handlers. Refer to Remote Cooling/Heat Pump Service Manual, TP-107 Long Line Set Application R-410A for guidelines. The unit clearance from a combustible surface may be 0". However, service clearance is to take precedence. In addition allow a minimum of 24" in front of the unit for service clearance.

Do not install the air handler in a location that violates the instructions provided with the condenser.

If the unit is located in an area with high ambient temperature and/or high humidity the air handler maybe subject to nuisance sweating of the casing. On these installations a wrap of 2" fiberglass insulation with a vapor barrier is recommended.

Consult all appropriate regulatory codes prior to determining final clearances. When installing this unit in an area that may become wet, elevate the unit with a sturdy, non-porous material. In installations that may lead to physical damage (i.e. a garage) it is advised to install a protective barrier to prevent such damage.

Ductwork

This air handler is designed for a complete supply and return ductwork system.



CAUTION

Do not operate this product without all the ductwork attached.

To ensure correct system performance, the ductwork is to be sized to accommodate 375-425 CFM per ton of cooling with the static pressure not to exceed .5" WC. Inadequate duct work that restricts airflow can result in improper performance and compressor or heater failure. Ductwork is to be constructed in a manner that limits restrictions and maintains suitable air velocity. Ductwork is to be sealed to the unit in a manner that will prevent leakage.

Return Ductwork

DO NOT TERMINATE THE RETURN DUCTWORK IN AN AREA THAT CAN INTRODUCE TOXIC, OR OBJECTIONABLE FUMES/ODORS INTO THE DUCTWORK. The return ductwork is to be introduced into the air handler bottom (upflow configuration).

Return Air Filters

Each installation must include a return air filter. This filtering may be performed at the air handler or externally such as a return air filter grille. Air handlers mounted in the downflow orientation, including "B" series, require external filtering. A washable filter is available as an accessory. To ensure optimum performance frequent filter cleaning is advised. Refer to **Table 1** for the appropriate filter.

ASPF	Filter Number	Qty Required
1830	FIL 36-42	1
3137 4260	FIL 48-61	1

Table 1

Electric Heat

Refer to this manual in combination with the instructions provided with the heat kit for the correct installation procedure.

The air handlers listed in this manual do not have factory installed electric heat. Electric heat is available as an accessory. If installing this option, the **ONLY** heat kits that can be used are the HKR series.

NOTE: The Amana® brand EHK, ECB, EDB, and EDK kits are **NOT** approved for use with these air handlers.

The heating mode temperature rise is dependent upon the system airflow, the supply voltage, and the heat kit size (kW) selected. Use **Tables 2, 3, and 4** to determine the temperature rise (°F).

CFM	HEAT KIT NOMINAL kW							
	3	5	6	8	10	15	20	21
600	18	28	35	41				
800	13	21	26	31	42			
1000	11	17	21	25	34	50		
1200	9	14	18	21	28	42	56	62
1400	8	12	15	18	24	36	48	53
1600	7	10	13	15	21	31	42	46
1800	6	9	12	14	19	28	37	41
2000	5	8	11	12	17	25	34	37

Table 2

230/1/60 Supply Voltage - Temperature Rise Table °F

CFM	HEAT KIT NOMINAL kW							
	3	5	6	8	10	15	20	21
600	17	27	34	39				
800	13	20	25	30	40			
1000	10	16	20	24	32	48		
1200	8	13	17	20	27	40	53	59
1400	7	11	14	17	23	34	46	51
1600	6	10	13	15	20	30	40	44
1800	6	9	11	13	18	27	36	39
2000	5	8	10	12	16	24	32	35

Table 3

220/1/60 Supply Voltage - Temperature Rise Table °F

CFM	HEAT KIT NOMINAL kW							
	3	5	6	8	10	15	20	21
600	16	25	32	37				
800	12	19	24	38	38			
1000	10	15	19	22	30	46		
1200	8	13	16	19	25	38	51	56
1400	7	11	14	16	22	33	43	48
1600	6	9	12	14	19	28	38	42
1800	5	8	11	12	17	25	34	37
2000	5	8	10	11	15	23	30	34

Table 4

208/1/60 Supply Voltage - Temperature Rise Table °F

NOTE: For installations not indicated above the following formula is to be used:

$$TR = (kW \times 3412) \times (\text{Voltage Correction}) \times 1.08 / CFM$$

Where: TR = Temperature Rise

kW = Heater Kit Actual kW

3412 = Btu per kW

Voltage Correction = .96 (230 Supply Volts)

= .92 (220 Supply Volts)

= .87 (208 Supply Volts)

1.08 = Constant

CFM = Measured Airflow

NOTE: The Temperature Rise Tables can also be used to determine the air handler airflow delivery. When using these tables for this purpose set the room thermostat to maximum heat and allow the system to reach steady state conditions. Insert two thermometers, one in the return air and one in the supply air. The temperature rise is the supply air temperature minus the room air temperature.

Use HKR specification sheets to determine the HKR available for a given air handler.

HKR Installation

Follow instructions listed in Installation and Operating Instructions shipped with the heat kit.

Electrical Supply Wire and MOP


CAUTION

FIRE HAZARD!

To avoid the risk of property damage, personal injury or fire, use only copper conductors.

WARNING

HIGH VOLTAGE!
 Disconnect ALL power before servicing. Multiple power sources may be present. Failure to do so may cause property damage, personal injury or death.



WARNING

HIGH VOLTAGE!
 To avoid property damage, personal injury or death due to electrical shock, this unit **MUST** have an uninterrupted, unbroken electrical ground. The electrical ground circuit may consist of an appropriately sized electrical wire connecting the ground lug in the unit control box to the building electrical service panel. Other methods of grounding are permitted if performed in accordance with the National Electric Code (NEC)/American National Standards Institute (ANSI)/National Fire Protection Association (NFPA) 70 and local/state codes. In Canada, electrical grounding is to be in accordance with the Canadian Electric Code (CSA) C22.1.

Building Electrical Service Inspection

This unit is designed for single-phase electrical supply. DO NOT OPERATE ON A THREE-PHASE POWER SUPPLY. Measure the power supply to the unit. The supply voltage **must** be in agreement with the unit nameplate power requirements and within the range shown in **Table 5**.

Nominal Input	Minimum Voltage	Maximum Voltage
208/240	187	253

Table 5

Wire Sizing

Wire size is important to the operation of your equipment. Use the following check list when selecting the appropriate wire size for your unit.

- **Wire size must carry the Minimum Circuit Ampacity (MCA).**
- Refer to the NEC (USA) or CSA (Canada) for wire sizing. The unit MCA for the air handler and the optional electric heat kit can be found on the unit Series and Rating Plate.
- **Wire size allows for no more than a 2% voltage drop from the building breaker/fuse panel to the unit.**

Refer to the latest edition of the National Electric Code or in Canada the Canadian Electric Code when determining the correct wire size. The following table shows the current carrying capabilities for copper conductors rated at 75°C with a 2% voltage drop. Use **Table 6** to determine the voltage drop per foot of various conductors.

Maximum Allowable Length in Feet to Limit Voltage Drop to 2%*								
Wire Size (AWG)	Minimum Circuit Ampacity (MCA)							
	10	15	20	25	30	35	40	45
14	75	50	37	NR	NR	NR	NR	NR
12	118	79	59	47	NR	NR	NR	NR
10	188	125	95	75	63	54	NR	NR
8	301	201	150	120	100	86	75	68
6	471	314	235	188	157	134	118	110

*Based on NEC 1996

Table 6

Maximum Overcurrent Protection (MOP)

Every installation must include an NEC (USA) or CEC (Canada) approved overcurrent protection device. Also, check with local or state codes for any special regional requirements.

Protection can be in the form of fusing or HACR style circuit breakers. The Series and Rating Plate can be used as a guide for selecting the MAXIMUM overcurrent device.

NOTE: Fuses or circuit breakers are to be sized larger than the equipment MCA but not to exceed the MOP.

Electrical Connections – Supply Voltage

USE COPPER CONDUCTORS ONLY.

A knockout is provided on the air handler top panel or side to allow for the entry of the supply voltage conductors. If the knockouts on the cabinet sides are used for electrical conduit, an adapter ring must be used in order to meet UL1995 safety requirements. An NEC or CEC approved strain relief is to be used at this entry point. The wire is to be sized in accordance with the “Electrical Wire and MOP” section of this manual. Some areas require the supply wire to be enclosed in conduit. Consult your local codes.

Air Handler Only (Non-Heat Kit Models)

The building supply connects to the stripped black and red wires contained in the air handler electrical compartment cavity. A ground screw is also contained in this area. Attach the supply wires to the air handler conductors as shown in the unit wiring diagram using appropriately sized solderless connectors or other NEC or CEC approved means.

Air Handler With Non-Circuit Breaker Heat Kits

A terminal block is provided with the HKR kit to attach the power supply and air handler connections. Follow the HKR Installation Manual and wiring diagram for complete wiring details.

Air Handler With Heat Kits Containing a Circuit Breaker

HKR models with a “C” suffix contain a circuit breaker(s). The air handler has a plastic cover on the access panel that will require either one or both sections to be removed to allow the heat kit circuit breaker(s) to be installed. See the HKR Installation Instructions for further details. The air handler wires and supply wires are installed directly onto the HKR circuit breaker(s) as shown in the HKR Installation Manual and wiring diagram.

Low Voltage Connections

Several combinations of low voltage schemes are available, depending on the presence of a heat kit and whether the heat kit is single-stage or multi-staging. The low voltage connections are determined by whether the outdoor unit is a condenser or heat pump. The 24V-control voltage connects the air handler to the room thermostat and condenser. Low voltage wiring is to be copper conductors. A minimum of 18AWG must be used for installations up to 50' and 16AWG for installations over 50'. Low voltage wiring can be connected through the top of the cabinet or either side. See the "Thermostat Wiring" section of this manual for typical low voltage wiring connections.

Refrigerant Lines



WARNING

This product is factory-shipped under pressure. Follow these instructions to prevent injury.



WARNING

A quenching cloth is strongly recommended to prevent scorching or marring of the equipment finish when welding close to the painted surfaces. Use brazing alloy of 5% minimum silver content.

tubing Preparation

All cut ends are to be round, burr free, and clean. Failure to follow this practice increases the chances for refrigerant leaks. The suction line is spun closed and requires pipe cutters to remove the closed end.

Post Brazing

Quench all welded joints with water or a wet rag.

Piping Size

For the correct tubing size, follow the specification for the condenser/heat pump.



CAUTION

Applying too much heat to any tube can melt the tube. Torch heat required to braze tubes of various sizes must be proportional to the size of the tube. Service personnel must use the appropriate heat level for the size of the tube being brazed.

Special Instructions

This coil comes equipped with a check style flowrator for refrigerant management. For most installations with matching applications, no change to the flowrator piston is required. However, in mix-matched applications, a flowrator piston change may be required. See the Goodman® piston kit chart or consult your local distributor for details regarding mix-matched piston sizing. If the mix-match application requires a different piston size, change the piston in the flowrator on the indoor coil before installing the coil and follow the procedure shown below.

IMPORTANT NOTE: Torch heat required to braze tubes of various sizes is proportional to the size of the tube. Tubes of smaller size require less heat to bring the tube to brazing temperature before adding brazing alloy. Applying too much heat to any tube can melt the tube. Service personnel must use the appropriate heat level for the size of the tube being brazed.

NOTE: The use of a heat shield when brazing is recommended to avoid burning the serial plate or the finish on the unit. Heat trap or wet rags should be used to protect heat sensitive components such as service valves and TXV valves.

1. Loosen the 13/16 nut **1 TURN ONLY** to allow high pressure tracer gas to escape. No gas indicates a possible leak.
2. After the gas has escaped, remove the nut and discard the black or brass cap.
3. Remove the check piston to verify it is correct and then replace the piston. See piston kit chart in instructions.
4. Use a tube cutter to remove the spin closure on the suction line.
5. Remove the tailpiece clamped to the exterior and **slide the 13/16 nut into place.**
6. Braze tailpiece to the line set liquid tube.

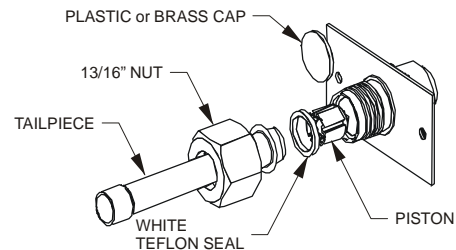


Figure 1

7. Insert the suction line into the connection, slide the insulation and the rubber grommet at least 18" away from the braze joint. Braze suction line.
8. **AFTER THE TAILPIECE HAS COOLED**, confirm position of the white Teflon® seal and hand tighten the 13/16 nut.
9. Torque the 13/16 nut to 7-25 ft-lbs. or tighten 1/6 turn.



CAUTION

Excessive torque can cause orifices to stick. Use the proper torque settings when tightening orifices.

10. Replace suction line grommet and insulation.

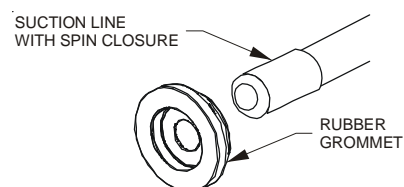


Figure 2

Downflow Conversion

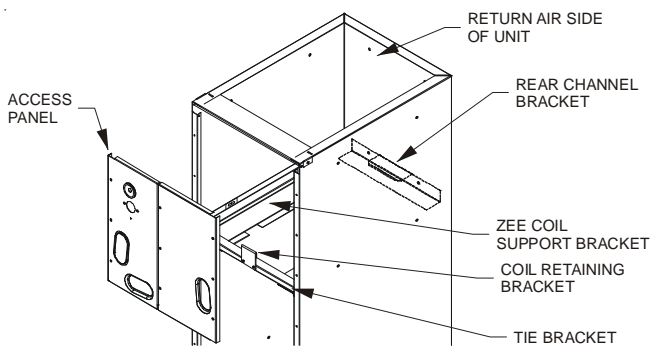
Conversion to downflow MUST be performed in an area that allows access to all sides prior to placing the air handler in its final location. To prevent the evaporator coil pan from “sweating” the DPI accessory insulation kit is to be used when performing this conversion. **NOTE:** The DPI kit is not supplied with this product and is to be purchased separately. See **Table 7** for the correct DPI kit.

ASPF	Insulation Kit
1830	DPI36-42/20
3137 / 4260	DPI48-61/20

Table 7

Refer to **Figures 3 through 5** for the location of the components referenced in the following steps. **Figure 3** illustrates the new installation location for the removed components.

1. Before inverting the air handler, remove all access panels, the coil rear channel bracket, and the filter close-off panel.
2. Remove the evaporator coil and the horizontal drain pan. Discard horizontal drain pan.
3. Install the provided plastic plug into the vacated access panel.
4. Remove the two (2) zee coil support brackets and insulation retaining brackets.
5. Remove the tie bracket.
6. Install the DPI Insulation Kit onto the bottom of the drain pan.



NOTE: The filter provision is not applicable in THIS downflow application.

Figure 3

7. Install the zee coil supports and the wrapper stiffeners.
8. Install the tie bracket.
9. Install the rear channel bracket.
10. To prevent possible condensate “blow off” the insulation retainers are to be laid into the evaporator coil pan as shown in **Figure 4**.

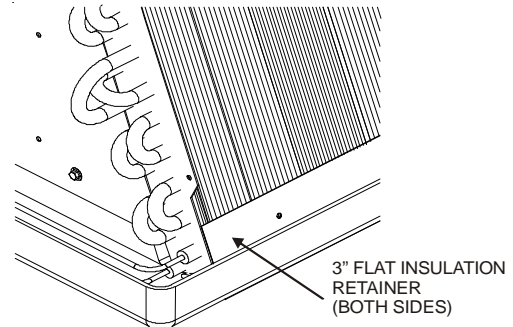


Figure 4

To complete the conversion, slide the evaporator coil into the chassis and attach the three (3) access panels. (**Figure 5**).

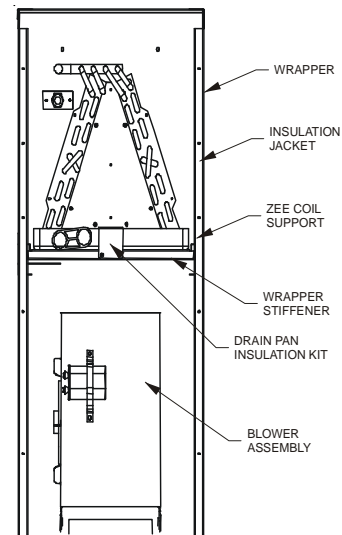


Figure 5

NOTE: When converted to downflow position, the coil may protrude above the cabinet on some models.

Horizontal Conversion

The only field modification required for conversion to “Horizontal Right-Hand” is the removal of the plastic knockouts in the horizontal panel drain connections. To prevent the horizontal drain pan from sweating in high humidity applications, it is recommended that a DPIH insulation accessory kit be used. **NOTE:** The DPIH insulation kit is not supplied with this product and should be purchased separately. See **Table 8** for the correct DPIH kit.

ASPF Model	Insulation Kit
1830	DPIH36-42
3137 / 4260	DPIH48-61

Table 8

The following describes converting to “Horizontal Left-Hand”. Conversion MUST be performed in an area that allows access to all sides prior to placing the air handler in its final location (See Figure 6).

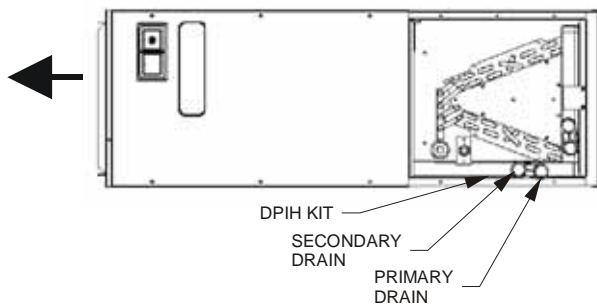


Figure 6

1. Remove the (3) air handler access panels.
2. Remove the “J” shaped bracket that retains the evaporator coil.
3. Remove the flowrator from the lower left side access panel and slide out the evaporator coil and horizontal drain pan.
4. Remove the gasket from the horizontal pan drain connections.
5. Remove the oval shaped plastic plug from the left side access panel. Remove the oval shaped rubber gasket seal from the lower right side access panel.
6. The drain connections for the horizontal pan are sealed with a thin coating of plastic. Carefully knock out this plastic seal with a screwdriver and hammer. **Note: The upper drain will become the secondary drain which is mandatory in many municipalities .**
7. Install the plastic plug removed in step 5 to the right side lower access panel and the oval shaped rubber gasket to the lower left access panel.
8. Reinstall the evaporator coil with the horizontal panel on the left side. Note: Push the assembly completely to the rear to ensure the engagement of the upflow pan with the rear channel bracket.
9. Install the “J” bracket (removed in step 2) to support the upflow pan to the tie channel.
10. Attach all panels and the metering device.

Condensate Removal

The coil drain pan has a primary and a secondary drain with 3/4" NPT female connections. The connectors required are 3/4" NPT male, either PVC or metal pipe, and should be hand

tightened to a torque of approximately 37 in-lbs. to prevent damage to the drain pan connection. An insertion depth between .355 to .485 inches (3-5 turns) should be expected at this torque. Use the female (3/4 NPT) threaded fitting that protrudes outside of the enclosure for external connections.

1. Ensure drain pan hole is NOT obstructed.
2. To prevent potential sweating and dripping on to finished space, it may be necessary to insulate the condensate drain line located inside the building. Use Armaflex® or similar material.

A Secondary Condensate Drain Connection has been provided for areas where the building codes require it. Pitch the drain line 1/4" per foot to provide free drainage. Insulate drain lines located inside the building to prevent sweating. Install a condensate trap to ensure proper drainage. If the secondary drain line is required, run the line separately from the primary drain and end it where it can be easily seen.

NOTE: Water coming from this line means the coil primary drain is plugged and needs clearing.

⚠ CAUTION

If secondary drain is not installed, the secondary access must be plugged.

The installation must include a “P” style trap that is located as close as is practical to the evaporator coil. See Figure 7 for details of a typical condensate line “P” trap.

NOTE: Trapped lines are required by many local codes. In the absence of any prevailing local codes, please refer to the requirements listed in the Uniform Mechanical Building Code.

A drain trap in a **draw-through** application prevents air from being drawn back through the drain line during fan operation thus preventing condensate from draining, and if connected to a sewer line to prevent sewer gases from being drawn into the airstream during blower operation.

Field experience has shown condensate drain traps with an open vertical Tee between the air handler and the condensate drain trap can improve condensate drainage in some applications, but may cause excessive air discharge out of the open Tee. Goodman® does not prohibit this type of drain but we also do not recommend it due to the resulting air leakage. Regardless of the condensate drain design used, it is the installer’s responsibility to ensure the condensate drain system is of sufficient design to ensure proper condensate removal from the coil drain pan.

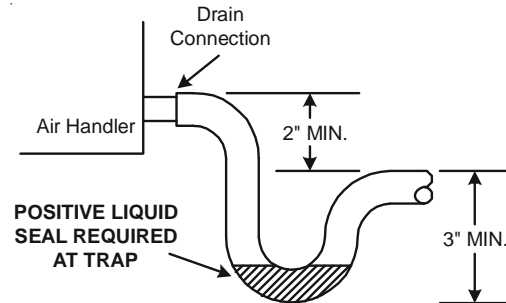


Figure 7

Use of a condensate removal pump is permitted when necessary. This condensate pump should have provisions for shutting off the control voltage should a blocked drain occur. A trap must be installed between the unit and the condensate pump.

IMPORTANT NOTE: The evaporator coil is coated with oils that may dissolve styrofoam and certain types of plastics. Therefore, a removal pump or float switch must not contain any of these materials.

Tip: Priming the “P” trap may avoid improper draining at the initial installation and at the beginning of the cooling season.

When coils are installed above ceilings, or in other locations where damage from condensate overflow may occur, it is **MANDATORY** to install a field fabricated auxiliary drain pan under the coil cabinet enclosure. Drain lines from the auxiliary pan must be installed and terminated so that the homeowner can see water discharges.

Achieve 2% Low Leakage Rate

Ensure that the Neoprene gasket with PSA remains intact on all surfaces that the access panels are secured to. These surfaces are the entire length of the wrapper and areas between the upper tie plate, upper and lower access panels. Be sure that upper access panel breaker insert gasket is intact and also flowrator gasket is installed on the lower access panel. An additional drain hole cover is required.

ASPF Motor

The ASPF air handler features an energy efficient blower motor. The motor is a constant torque motor with very low power consumption. The motor is energized by 24 VAC. Adjust the CFM by changing the 24 VAC leads to the desired speed on the terminal block.

The ASPF motor blower speed is programmed to deliver adequate airflow at rated external static pressure and with 60 second off time delay. For details, refer to the specification sheet applicable to your model.

CFM Delivery

Table 9 shows the CFM speed tap settings for the ASPF.

Start-Up Procedure

- Prior to start-up, ensure that all electrical connections are properly sized and tightened.
- All panels must be in place and secured. For Air Tight application, neoprene gasket must be positioned at prescribed locations to achieve 2% leakage.
- Tubing must be leak free.
- Unit should be elevated, trapped and pitched to allow for drainage.
- Low voltage wiring is connected.
- Auxiliary drain is installed when necessary and pitched to allow for drainage.
- Drain pan and drain tubing has been leak checked.

- Return and supply ducts are sealed.
- Unit is elevated when installed in a garage or where flammable vapors may be present.
- Unit is protected from vehicular or other physical damage.
- Return air is not obtained from any areas where there may be objectionable odors, flammable vapors or products of combustion such as carbon monoxide (CO), which may cause serious personal injury or death.

Regular Maintenance



WARNING

HIGH VOLTAGE!
Disconnect ALL power before servicing or installing this unit. Multiple power sources may be present. Failure to do so may cause property damage, personal injury or death.



The only item to be maintained on a regular basis by the user is the circulating air filter(s). Filter should be cleaned or replaced regularly. A certified service technician must perform all other services.

NOTE: DO **NOT** USE THESE DIAGRAMS FOR MODELS OTHER THAN ASPF. SEE INSTALLATION AND OPERATING INSTRUCTIONS SPECIFICALLY FOR EACH MODEL.

Model	Motor Speed Tap	CFM delivered against External Static Pressure				
		0.1"	0.2"	0.3"	0.4"	0.5"
ASPF183016	1	700	670	650	595	510
	2	820	785	765	745	705
	3	920	900	850	840	815
	4	1075	1055	1015	975	960
	5	1130	1115	1085	1040	1000
ASPF313716	1	1060	865	600	515	420
	2	1105	910	795	745	690
	3	1165	1070	1020	960	915
	4	1285	1240	1195	1140	1100
	5	1435	1395	1350	1315	1265
ASPF426016	1	1445	1275	1175	940	855
	2	1545	1405	1325	1260	1145
	3	1660	1610	1555	1490	1415
	4	1905	1870	1810	1750	1695
	5	2115	2070	2000	1965	1915

Table 9

ASPF Thermostat Connections

The following composite wiring diagrams detail various configurations in which the ASPF air handlers can be used. Examples include single-stage cooling and heat pump with single or two-stage electric heating. All these configurations can be applied with convenient connections to outdoor thermostat applications.

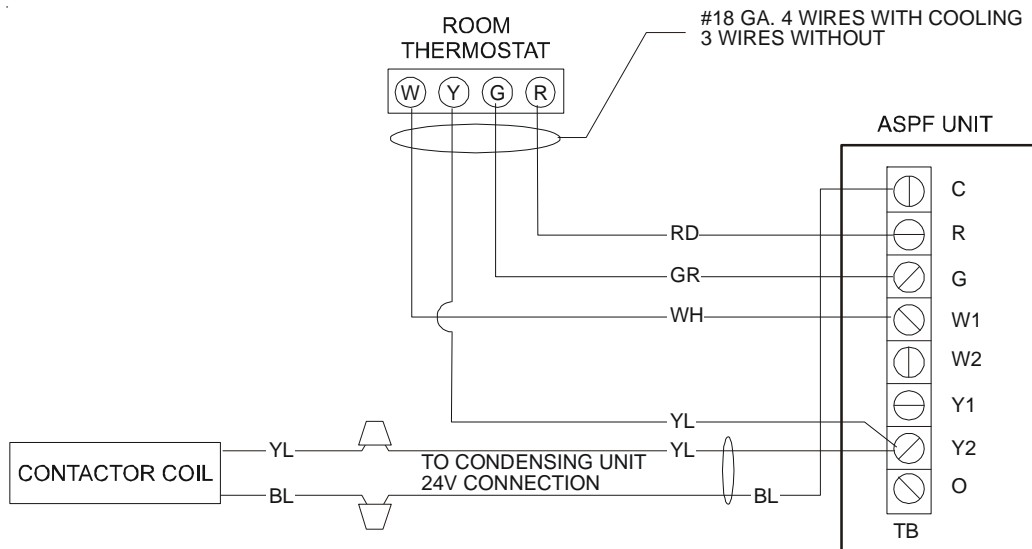
The following sections will be detailed:

- Single-Stage Cooling
- Heat Pump

Each diagram details the connections between room thermostat and ASPF air handlers, and the connections between the ASPF air handlers and the Condensing Unit (or Heat Pump) with optional connections to Outdoor Thermostats. For each configuration, refer to the explanation of the proper jumper(s) to remove for the corresponding blower speed that will result in the programmed EEM™ motor.

IMPORTANT: WHEN MATCHING THE ASPF AIR HANDLERS TO A SINGLE SPEED COOLING OR HEAT PUMP UNIT, REMEMBER TO CONNECT “Y” FROM THE THERMOSTAT TO THE “Y2” ON THE LOW VOLTAGE TERMINAL BOARD.

An equivalent thermostat can be used in place of the Goodman thermostat part number.



COOLING UNIT WITH OPTIONAL HEAT KITS OF 10 kW AND BELOW

NOTES:

- 1) OUTDOOR THERMOSTAT (OT-1) SHOULD BE THE FIRST TO CLOSE AND THE LAST TO OPEN.
- 2) JUMPER W1 AND W2 TOGETHER IF OT-2 IS NOT USED.
- 3) REMOVE WIRE WHEN USING OUTDOOR THERMOSTAT.

NOMENCLATURE:

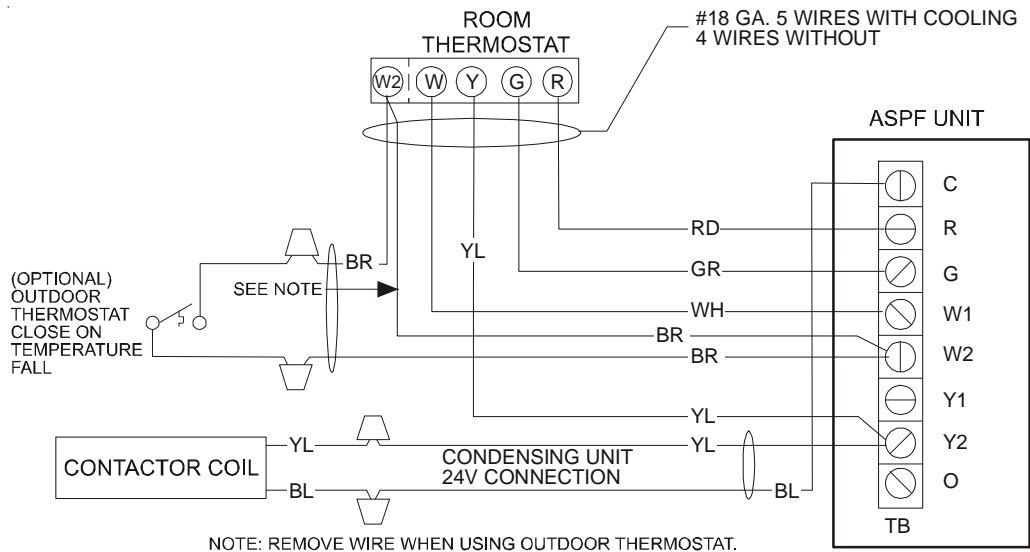
- OT - OUTDOOR THERMOSTAT (OPTIONAL)
 EHR - EMERGENCY HEAT RELAY (OPTIONAL)

COLOR CODES

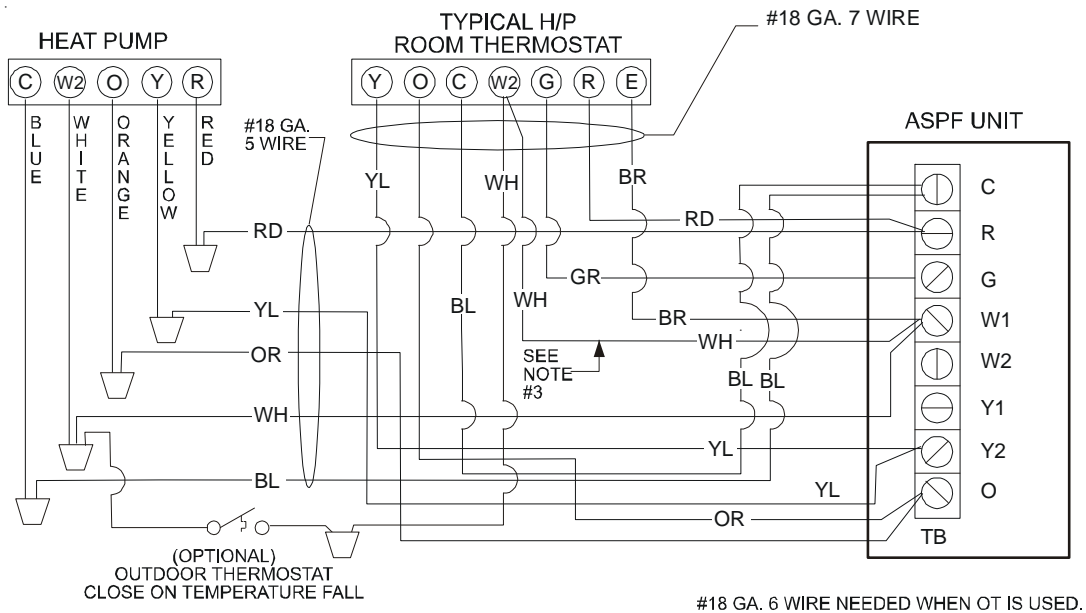
- RD - RED
 YL - YELLOW
 BL - BLUE
 BR - BROWN
 OR - ORANGE
 WH - WHITE

Wiring is subject to change. Always refer to the wiring diagram on the unit for the most up-to-date wiring.

WARNING HIGH VOLTAGE! DISCONNECT ALL POWER BEFORE SERVICING. MULTIPLE POWER SOURCES MAY BE PRESENT. FAILURE TO DO SO MAY CAUSE PROPERTY DAMAGE, PERSONAL INJURY OR DEATH.



COOLING UNIT WITH OPTIONAL HEAT KITS OF 15 kW AND ABOVE AND ROOM THERMOSTAT WITH TWO STAGES OF HEAT



HEAT PUMP UNIT WITH OPTIONAL HEAT KITS OF 10 kW AND BELOW

NOTES:

- 1) OUTDOOR THERMOSTAT (OT-1) SHOULD BE THE FIRST TO CLOSE AND THE LAST TO OPEN.
- 2) JUMPER W1 AND W2 TOGETHER IF OT-2 IS NOT USED.
- 3) REMOVE WIRE WHEN USING OUTDOOR THERMOSTAT.

NOMENCLATURE:

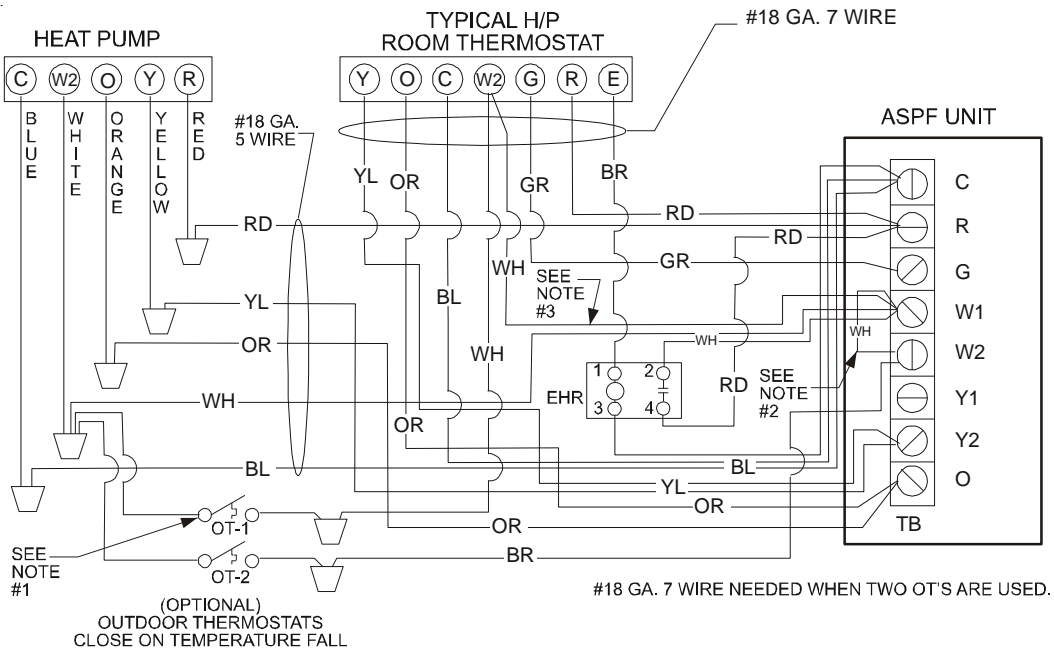
- OT - OUTDOOR THERMOSTAT (OPTIONAL)
 EHR - EMERGENCY HEAT RELAY (OPTIONAL)

COLOR CODES

- RD - RED
 YL - YELLOW
 BL - BLUE
 BR - BROWN
 OR - ORANGE
 WH - WHITE

Wiring is subject to change. Always refer to the wiring diagram on the unit for the most up-to-date wiring.

WARNING HIGH VOLTAGE! DISCONNECT ALL POWER BEFORE SERVICING. MULTIPLE POWER SOURCES MAY BE PRESENT. FAILURE TO DO SO MAY CAUSE PROPERTY DAMAGE, PERSONAL INJURY OR DEATH.



NOTES:

- 1) OUTDOOR THERMOSTAT (OT-1) SHOULD BE THE FIRST TO CLOSE AND THE LAST TO OPEN.
- 2) JUMPER W1 AND W2 TOGETHER IF OT-2 IS NOT USED.
- 3) REMOVE WIRE WHEN USING OUTDOOR THERMOSTAT.

NOMENCLATURE:

- OT - OUTDOOR THERMOSTAT (OPTIONAL)
 EHR - EMERGENCY HEAT RELAY (OPTIONAL)

COLOR CODES

- RD - RED
 YL - YELLOW
 BL - BLUE
 BR - BROWN
 OR - ORANGE
 WH - WHITE

Wiring is subject to change. Always refer to the wiring diagram on the unit for the most up-to-date wiring.

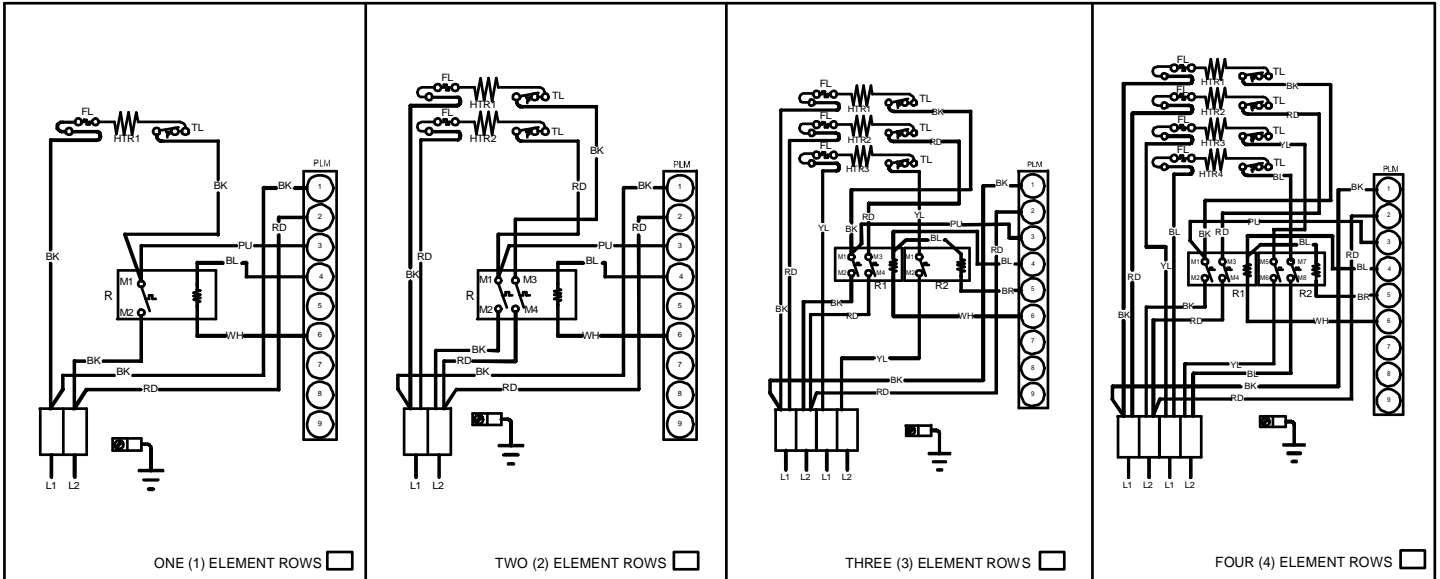


WARNING

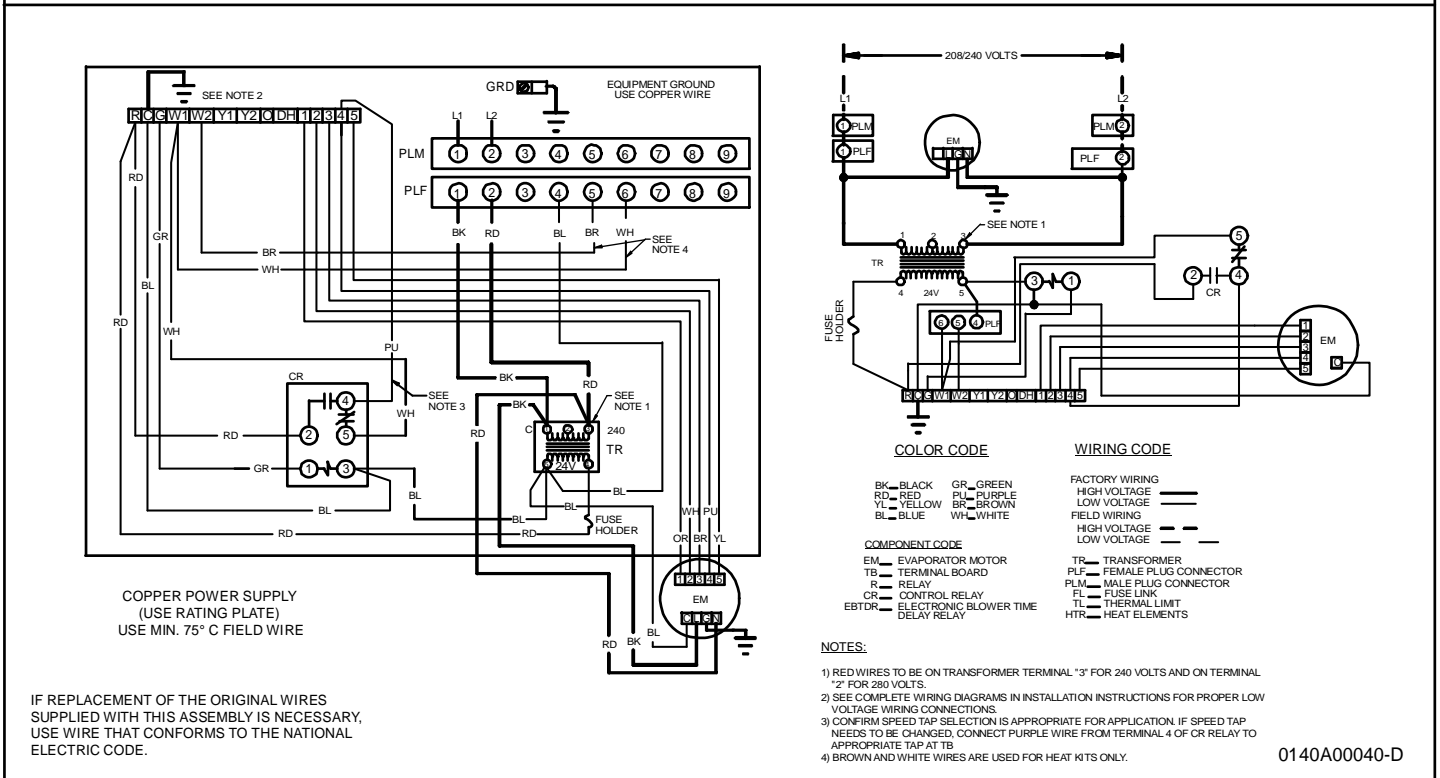
HIGH VOLTAGE! DISCONNECT ALL POWER BEFORE SERVICING.
MULTIPLE POWER SOURCES MAY BE PRESENT. FAILURE TO DO SO
MAY CAUSE PROPERTY DAMAGE, PERSONAL INJURY OR DEATH.



ASPF Wiring Diagram



NOTE: WHEN INSTALLING HEATER KIT, ENSURE SPEED TAP DOES NOT EXCEED MINIMUM BLOWER SPEED (MBS) SPECIFIED FOR THE AIRHANDLER/HEATER KIT COMBINATION ON THIS UNIT'S S&R PLATE. AFTER INSTALLING OPTIONAL HEAT KIT, MARK A "X" IN THE PROVIDED ABOVE. MARK ACCORDING TO NUMBER OF HEATER ELEMENT ROWS INSTALLED. NO MARK INDICATES NO HEAT KIT INSTALLED.



- NOTES:**
- 1) RED WIRES TO BE ON TRANSFORMER TERMINAL "3" FOR 240 VOLTS AND ON TERMINAL "2" FOR 208 VOLTS.
 - 2) SEE COMPLETE WIRING DIAGRAMS IN INSTALLATION INSTRUCTIONS FOR PROPER LOW VOLTAGE WIRING CONNECTIONS.
 - 3) CONFIRM SPEED TAP SELECTION IS APPROPRIATE FOR APPLICATION. IF SPEED TAP NEEDS TO BE CHANGED, CONNECT PURPLE WIRE FROM TERMINAL 4 OF CR RELAY TO APPROPRIATE TAP AT TB.
 - 4) BROWN AND WHITE WIRES ARE USED FOR HEAT KITS ONLY.

0140A00040-D

Wiring is subject to change. Always refer to the wiring diagram on the unit for the most up-to-date wiring.

THIS PAGE LEFT INTENTIONALLY BLANK

SPLIT SYSTEMS

AIR CONDITIONING AND HEAT PUMP HOMEOWNER'S ROUTINE MAINTENANCE RECOMMENDATIONS

*We strongly recommend a bi-annual maintenance checkup be performed before the heating and cooling seasons begin by a **qualified servicer**.*

Replace or Clean Filter

IMPORTANT NOTE: Never operate unit without a filter installed as dust and lint will build up on internal parts resulting in loss of efficiency, equipment damage and possible fire.

An indoor air filter must be used with your comfort system. A properly maintained filter will keep the indoor coil of your comfort system clean. A dirty coil could cause poor operation and/or severe equipment damage.

Your air filter or filters could be located in your furnace, in a blower unit, or in "filter grilles" in your ceiling or walls. The installer of your air conditioner or heat pump can tell you where your filter(s) are, and how to clean or replace them.

Check your filter(s) at least once a month. When they are dirty, replace or clean as required. Disposable type filters should be replaced. Reusable type filters may be cleaned.

You may want to ask your dealer about high efficiency filters. High efficiency filters are available in both electronic and non-electronic types. These filters can do a better job of catching small airborne particles.

Compressor

The compressor motor is hermetically sealed and does not require additional oiling.

Motors

Indoor and outdoor fan motors are permanently lubricated and do not require additional oiling.

Clean Outside Coil (Qualified Servicer Only)



WARNING

HIGH VOLTAGE!

**DISCONNECT ALL POWER BEFORE SERVICING.
MULTIPLE POWER SOURCES MAY BE PRESENT.
FAILURE TO DO SO MAY CAUSE PROPERTY DAMAGE,
PERSONAL INJURY OR DEATH.**



Air must be able to flow through the outdoor unit of your comfort system. Do not construct a fence near the unit or build a deck or patio over the unit without first discussing your plans with your dealer or other qualified servicer. Restricted airflow could lead to poor operation and/or severe equipment damage.

Likewise, it is important to keep the outdoor coil clean. Dirt, leaves, or debris could also restrict the airflow. If cleaning of the outdoor coil becomes necessary, hire a qualified servicer. Inexperienced people could easily puncture the tubing in the coil. Even a small hole in the tubing could eventually cause a large loss of refrigerant. Loss of refrigerant can cause poor operation and/or severe equipment damage.

Do not use a condensing unit cover to "protect" the outdoor unit during the winter, unless you first discuss it with your dealer. Any cover used must include "breathable" fabric to avoid moisture buildup.

BEFORE CALLING YOUR SERVICER

- Check the thermostat to confirm that it is properly set.
- Wait 15 minutes. Some devices in the outdoor unit or in programmable thermostats will prevent compressor operation for awhile, and then reset automatically. Also, some power companies will install devices which shut off air conditioners for several minutes on hot days. If you wait several minutes, the unit may begin operation on its own.
- Check the electrical panel for tripped circuit breakers or failed fuses. Reset the circuit breakers or replace fuses as necessary.
- Check the disconnect switch near the indoor furnace or blower to confirm that it is closed.
- Check for obstructions on the outdoor unit. Confirm that it has not been covered on the sides or the top. Remove any obstruction that can be safely removed. If the unit is covered with dirt or debris, call a qualified servicer to clean it.
- Check for blockage of the indoor air inlets and outlets. Confirm that they are open and have not been blocked by objects (rugs, curtains or furniture).
- Check the filter. If it is dirty, clean or replace it.
- Listen for any unusual noise(s), other than normal operating noise, that might be coming from the outdoor unit. If you hear unusual noise(s) coming from the unit, call a qualified servicer.



CAUTION

TO AVOID THE RISK OF EQUIPMENT DAMAGE OR FIRE, INSTALL THE SAME AMPERAGE BREAKER OR FUSE AS YOU ARE REPLACING. IF THE CIRCUIT BREAKER OR FUSE SHOULD OPEN AGAIN WITHIN THIRTY DAYS, CONTACT A QUALIFIED SERVICER TO CORRECT THE PROBLEM.

IF YOU REPEATEDLY RESET THE BREAKER OR REPLACE THE FUSE WITHOUT HAVING THE PROBLEM CORRECTED, YOU RUN THE RISK OF SEVERE EQUIPMENT DAMAGE.

NOTE: SPECIFICATIONS AND PERFORMANCE DATA LISTED HEREIN ARE SUBJECT TO CHANGE WITHOUT NOTICE.

© 2007 - 2012 Goodman Manufacturing Company, L.P.
5151 San Felipe, Suite 500, Houston, TX 77056
www.goodmanmfg.com - or - www.amana-hac.com