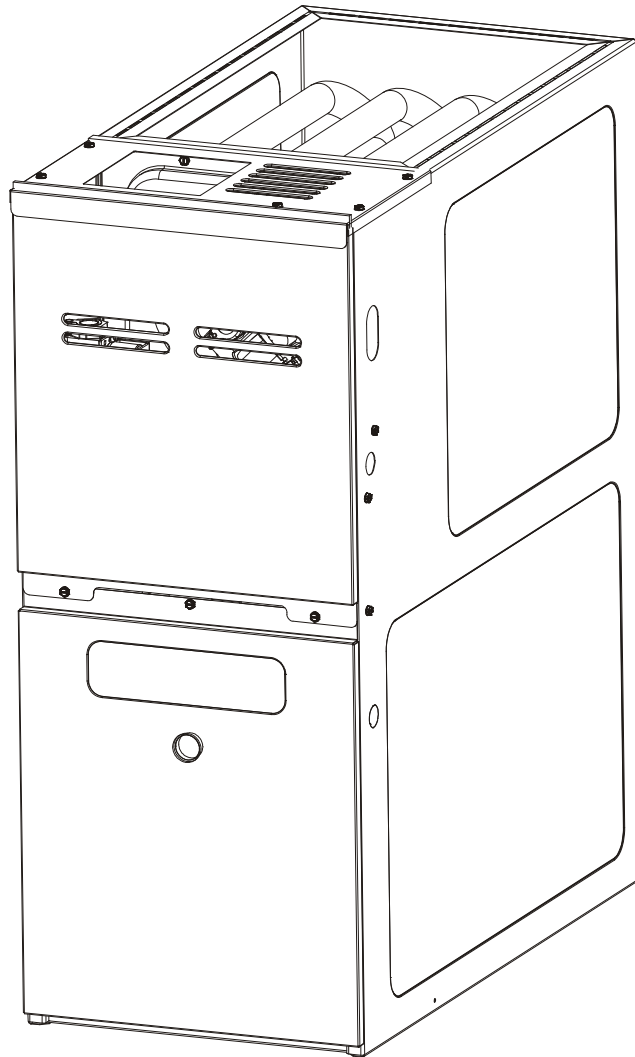


**GMS8 80% Single-Stage MultiSpeed Furnace**

GMS80453ANCC  
GMS80453AXCC  
GMS80703ANCC  
GMS80703AXCC  
GMS80704BNCC  
GMS80704BXCC  
GMS80904BNCC  
GMS80904BXCC  
GMS80905CNCC  
GMS80905CXCC  
GMS81155CNCC  
GMS81155CXCC  
GMS81405DNCC



This manual is to be used by qualified technicians only.

© 2010 Goodman Manufacturing Company, L.P. ♦ 5151 San Felipe, Suite 500 ♦ Houston, TX 77056

# Important Information

---

## Index

Functional Parts List .....	3
Illustration and Parts .....	4 - 11

*Views shown are for parts illustrations only, not servicing procedures.*

### Text Codes:

AR - As Required

NA - Not Available

NS - Not Shown

00000000 - See Note

QTY - Quantity Example (QTY 3) (If Quantity not shown, Quantity = 1)

M - Model Example (M1) (If M Code not shown, then part is used on all Models)

### Expanded Model Nomenclature:

Example M1 - Model#1 M2 - Model#2 M3 - Model#3
---

Goodman Manufacturing Company, L.P. is not responsible for personal injury or property damage resulting from improper service. Review all service information before beginning repairs.

Warranty service must be performed by an authorized technician, using authorized factory parts. If service is required after the warranty expires, Goodman Manufacturing Company, L.P. also recommends contacting an authorized technician and using authorized factory parts.

Goodman Manufacturing Company, L.P. reserves the right to discontinue, or change at any time, specifications or designs without notice or without incurring obligations.

For assistance within the U.S.A. contact:  
Consumer Affairs Department  
Goodman Manufacturing Company, L.P.  
7401 Security Way  
Houston, Texas 77040  
877-254-4729-Telephone  
713-863-2382-Facsimile

For assistance outside the U.S.A. contact:  
International Division  
Goodman Manufacturing Company, L.P.  
7401 Security Way  
Houston, Texas 77040  
713-861-2500-Telephone  
713-863-2382-Facsimile

# Functional Parts

## Part

## No: Description:

## Expanded Model Nomenclature

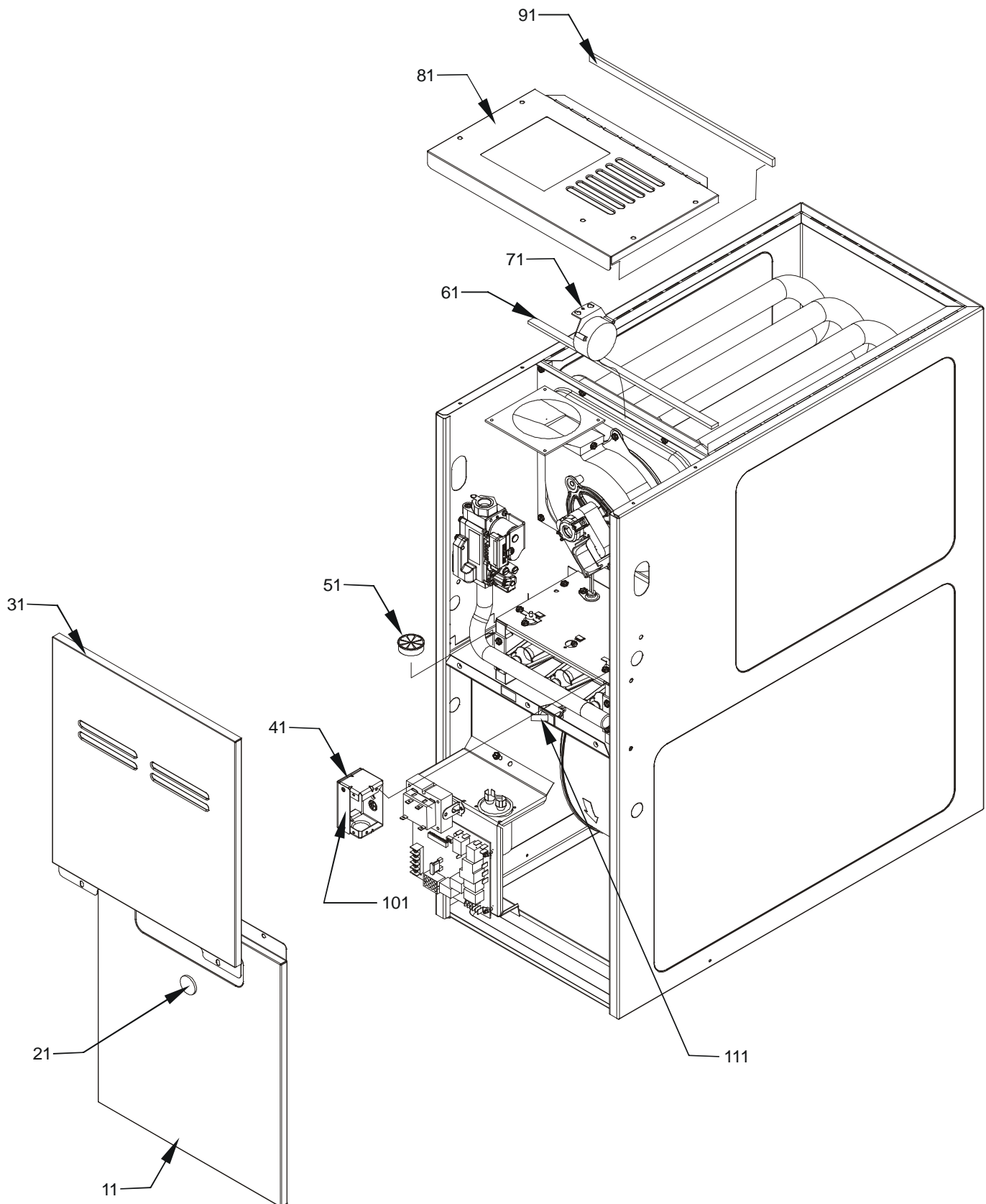
0131F00021	BLOWER MOTOR 1/3HP, 4SP, 6PL (M1, M2, M3, M4)
0131F00022	BLOWER MOTOR 1/2 HP, 4 SP, 6 PL (M5, M6, M7, M8, M9, M10, M11, M12)
20046618S	BLOWER MOTOR 3/4 HP (M13)
D6723311S	BLOWER WHEEL (M13)
B1368047A	BLOWER WHEEL 10 X 10 (M9, M10, M11, M12)
B1368034S	BLOWER WHEEL 10 X 6 (M1, M2, M3, M4)
B1368016S	BLOWER WHEEL 10 X 8 (M5, M6, M7, M8)
CAP125000370RPS	CAPACITOR 12.5/370V (M1, M2, M3, M4)
CAP200000440RPS	CAPACITOR 20/370V (M5, M6, M7, M8, M9, M10, M11, M12)
CAP250000370RPS	CAPACITOR 25/370V (M13)
0130F00010	FLAME SENSOR
0151M00013	GAS VALVE (HONEYWELL 1 STG)
PCBBF123S	IGNITION BOARD, HSI INTEGRATED
20165703S	IGNITOR
B4022700	INSHOT BURNER ASSY 3" (QTY AR)
B1370818	INTERLOCK SWITCH
10123529	MANUAL RESET LIMIT (QTY 2)
10716003	ORIFICE (QTY AR)
B1370179	PRESSURE SWITCH (M5, M6, M7, M8, M9, M10)
0130F00041	PRESSURE SWITCH (M11, M12)
0130F00042	PRESSURE SWITCH (M13)
B1370158	PRESSURE SWITCH -0.70" WC (M1, M2, M3, M4)
20162903	PRIMARY LIMIT - BLUE (M7, M8, M13)
0130F00038	PRIMARY LIMIT - LT BLUE 120°
0130F00036	PRIMARY LIMIT - PINK (M11, M12)
0130F00035	PRIMARY LIMIT - PURPLE 220° (M1, M2)
20162906	PRIMARY LIMIT - WHITE (M3, M4, M5, M6, M9, M10)
B1141605	TRANSFORMER 120V TO 24V, 40 VA
0131M00002S	VENT MOTOR

M1 - GMS80453ANCC
M2 - GMS80453AXCC
M3 - GMS80703ANCC
M4 - GMS80703AXCC
M5 - GMS80704BNCC
M6 - GMS80704BXCC
M7 - GMS80904BNCC
M8 - GMS80904BXCC
M9 - GMS80905CNCC
M10 - GMS80905CXCC
M11 - GMS81155CNCC
M12 - GMS81155CXCC
M13 - GMS81405DNCC

## SPECIAL PARTS

0161F00007	GOODMAN NAMEPLATE
HI-115B	HOMEOWNERS INSTRUCTIONS
IO-669	INSTALL-HUMIDIFIER
IO-359D	INSTR, INSTL & OPER

# Cabinet



# Cabinet

**Ref. Part  
No: No:**

**Description:**

**Ref. Part  
No: No:**

**Description:**

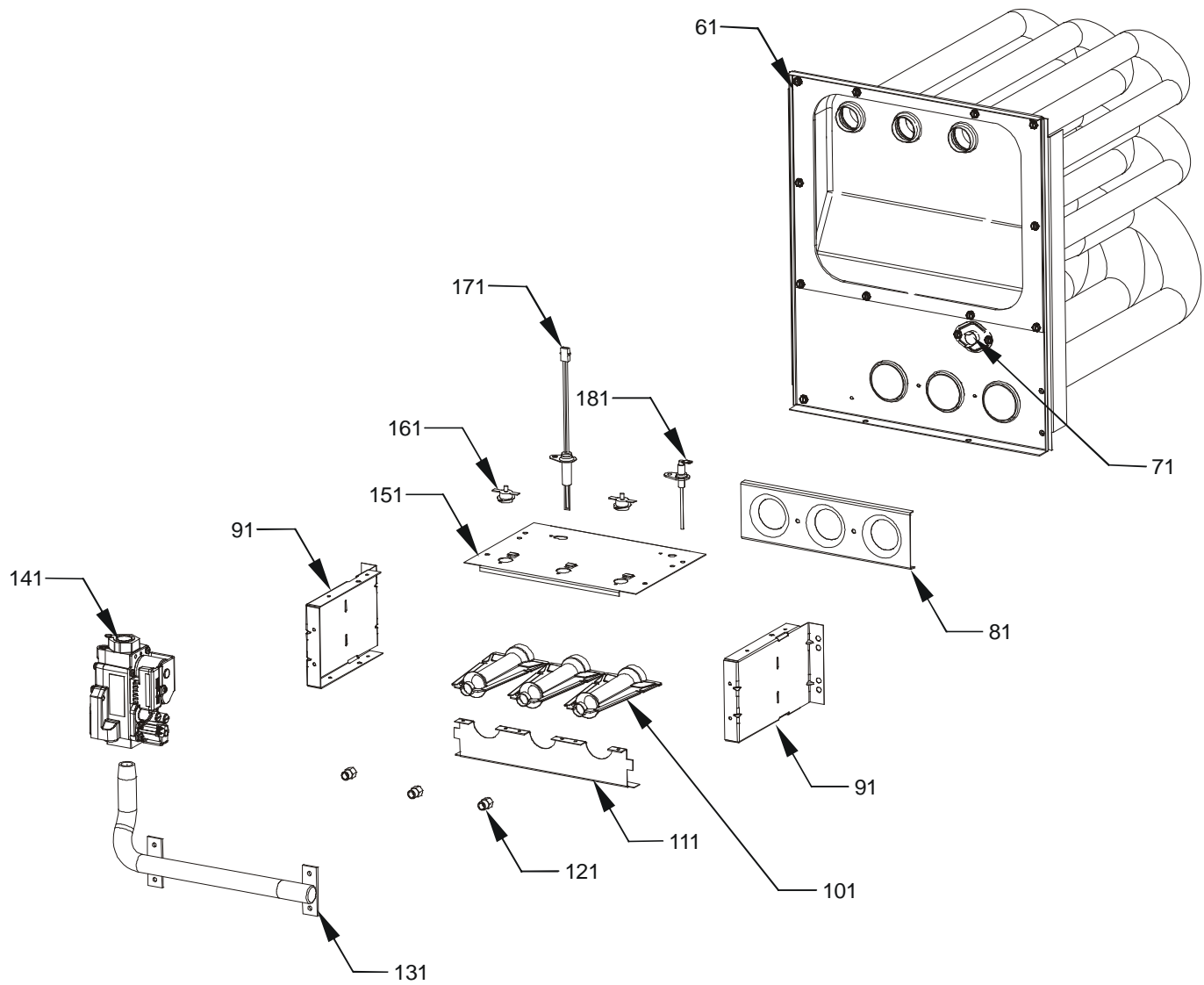
*Image 1:*

11	0121F00122DGS	BLOWER ACCESS DOOR 14" (M1, M2, M3, M4)
11	0121F00123DGS	BLOWER ACCESS DOOR 17.5" (M5, M6, M7, M8)
11	0121F00124DGS	BLOWER ACCESS DOOR 21" (M9, M10, M11, M12)
11	0121F00125DG	BLOWER ACCESS DOOR 24.5" (M13)
21	B1392139	VIEW PORT BUSHING-BLOWER DOOR
31	0121F00118DGS	CONTROL ACCESS DOOR 14" (M1, M2, M3, M4)
31	0121F00119DGS	CONTROL ACCESS DOOR 17.5" (M5, M6, M7, M8)
31	0121F00120DGS	CONTROL ACCESS DOOR 21" (M9, M10, M11, M12)
31	0121F00121DG	CONTROL ACCESS DOOR 24.5" (M13)
41	4014502	J-BOX
51	B1392147	UNIVERSAL BUSHING WITH SLICE
61	B13926111	SEAL STRIP, 1/8 X 1/2 X 14 (M1, M2, M3, M4)
61	B13926112	SEAL STRIP, 1/8 X 1/2 X 17.5 (M5, M6, M7, M8)
61	B13926113	SEAL STRIP, 1/8 X 1/2 X 21 (M9, M10, M11, M12)
61	B13926114	SEAL STRIP, 1/8 X 1/2 X 24.5 (M13)
71	0130F00041	PRESSURE SWITCH (M11, M12)
71	0130F00042	PRESSURE SWITCH (M13)
71	B1370179	PRESSURE SWITCH (M5, M6, M7, M8, M9, M10)
71	B1370158	PRESSURE SWITCH -0.70" WC (M1, M2, M3, M4)
81	0121F00141DG	TOP 14" (M1, M2, M3, M4)
81	0121F00142DG	TOP 17.5" (M5, M6, M7, M8)
81	0121F00143DG	TOP 21" (M9, M10, M11, M12)
81	0121F00144DG	TOP 24.5" (M13)
91	B13926111	SEAL STRIP, 1/8 X 1/2 X 14 (M1, M2, M3, M4)
91	B13926112	SEAL STRIP, 1/8 X 1/2 X 17.5 (M5, M6, M7, M8)
91	B13926113	SEAL STRIP, 1/8 X 1/2 X 21 (M9, M10, M11, M12)
91	B13926114	SEAL STRIP, 1/8 X 1/2 X 24.5 (M13)
101	4015502	J-BOX COVER
111	B1370818	INTERLOCK SWITCH
NS	0259F00054	12-PIN WIRE HARNESS ASSY
NS	0161F00007	GOODMAN NAMEPLATE
NS	0159F00008	IGNITOR WIRE HARNESS ASSY
NS	0270K00015	SOLID BOTTOM 14" CASE (M1, M2, M3, M4)
NS	0270K00016	SOLID BOTTOM 17.5" CASE (M5, M6, M7, M8)
NS	0270K00017	SOLID BOTTOM 21" CASE (M9, M10, M11, M12)
NS	0270K00018	SOLID BOTTOM 24.5" CASE (M13)
NS	0259F00052	WIRE KIT

Expanded Model Nomenclature

M1 - GMS80453ANCC
M2 - GMS80453AXCC
M3 - GMS80703ANCC
M4 - GMS80703AXCC
M5 - GMS80704BNCC
M6 - GMS80704BXCC
M7 - GMS80904BNCC
M8 - GMS80904BXCC
M9 - GMS80905CNCC
M10 - GMS80905CXCC
M11 - GMS81155CNCC
M12 - GMS81155CXCC
M13 - GMS81405DNCC

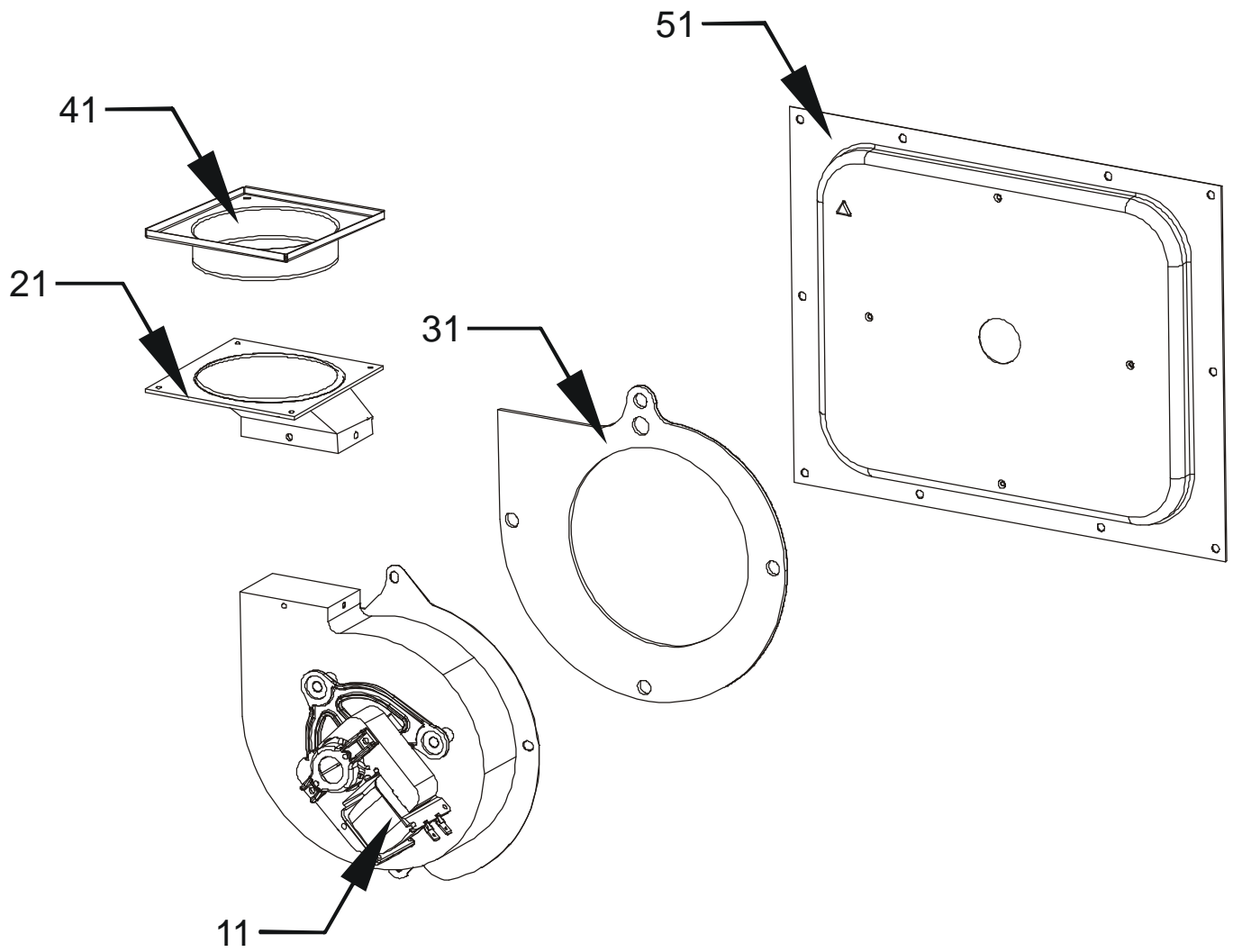
# Heat Exchanger Assy



# Heat Exchanger Assy

Ref. Part No:	No:	Description:	Ref. Part No:	No:	Description:
<i>Image 1:</i>			Expanded Model Nomenclature		
61	0270F00900	HEAT EXCHANGER ASSY (M1, M2)	M1	-	GMS80453ANCC
61	0270F00901	HEAT EXCHANGER ASSY (M3, M4)	M2	-	GMS80453AXCC
61	0270F00902	HEAT EXCHANGER ASSY (M7, M8)	M3	-	GMS80703ANCC
61	0270F00903	HEAT EXCHANGER ASSY (M11, M12)	M4	-	GMS80703AXCC
61	0270F00904	HEAT EXCHANGER ASSY (M13)	M5	-	GMS80704BNCC
61	0270F00929	HEAT EXCHANGER ASSY (M5, M6)	M6	-	GMS80704BXCC
61	0270F00930	HEAT EXCHANGER ASSY (M9, M10)	M7	-	GMS80904BNCC
71	20162903	PRIMARY LIMIT - BLUE (M7, M8, M13)	M8	-	GMS80904BXCC
71	0130F00036	PRIMARY LIMIT - PINK (M11, M12)	M9	-	GMS80905CNCC
71	0130F00035	PRIMARY LIMIT - PURPLE 220° (M1, M2)	M10	-	GMS80905CXCC
71	20162906	PRIMARY LIMIT - WHITE (M3, M4, M5, M6, M9, M10)	M11	-	GMS81155CNCC
81	4028000	ORIFICE SHIELD 2 CELL (M1, M2)	M12	-	GMS81155CXCC
81	4028001	ORIFICE SHIELD 3 CELL (M3, M4, M5, M6)	M13	-	GMS81405DNCC
81	4028002	ORIFICE SHIELD 4 CELL (M7, M8, M9, M10)			
81	4028003	ORIFICE SHIELD 5 CELL (M11, M12)			
81	4028004	ORIFICE SHIELD 6 CELL (M13)			
91	0121F00146	BURNER BOX SIDE (QTY 2)			
101	B4022700	INSHOT BURNER ASSY 3" (QTY AR)			
111	0121F00167	BURNER BRACKET 2B (M1, M2)			
111	0121F00168	BURNER BRACKET 3B (M3, M4, M5, M6)			
111	0121F00169	BURNER BRACKET 4B (M7, M8, M9, M10)			
111	0121F00170	BURNER BRACKET 5B (M11, M12)			
111	0121F00171	BURNER BRACKET 6B (M13)			
121	10716003	ORIFICE (QTY AR)			
131	0120F00006	MANIFOLD (M1, M2)			
131	0120F00007	MANIFOLD (M3, M4)			
131	0120F00008	MANIFOLD (M7, M8)			
131	0120F00009	MANIFOLD (M11, M12)			
131	0120F00010	MANIFOLD (M13)			
131	0120F00017	MANIFOLD (M5, M6)			
131	0120F00018	MANIFOLD (M9, M10)			
141	0151M00013	GAS VALVE (HONEYWELL 1 STG)			
151	0121F00162	BURNER BOX TOP 2 CELL (M1, M2)			
151	0121F00163	BURNER BOX TOP 3 CELL (M3, M4, M5, M6)			
151	0121F00164	BURNER BOX TOP 4 CELL (M7, M8, M9, M10)			
151	0121F00165	BURNER BOX TOP 5 CELL (M11, M12)			
151	0121F00166	BURNER BOX TOP 6 CELL (M13)			
161	10123529	MANUAL RESET LIMIT (QTY 2)			
171	20165703S	IGNITOR			
181	0130F00010	FLAME SENSOR			

# Collector Box Assy





# Collector Box Assy

Ref. Part No:	No:	Description:	Ref. Part No:	No:	Description:
---------------	-----	--------------	---------------	-----	--------------

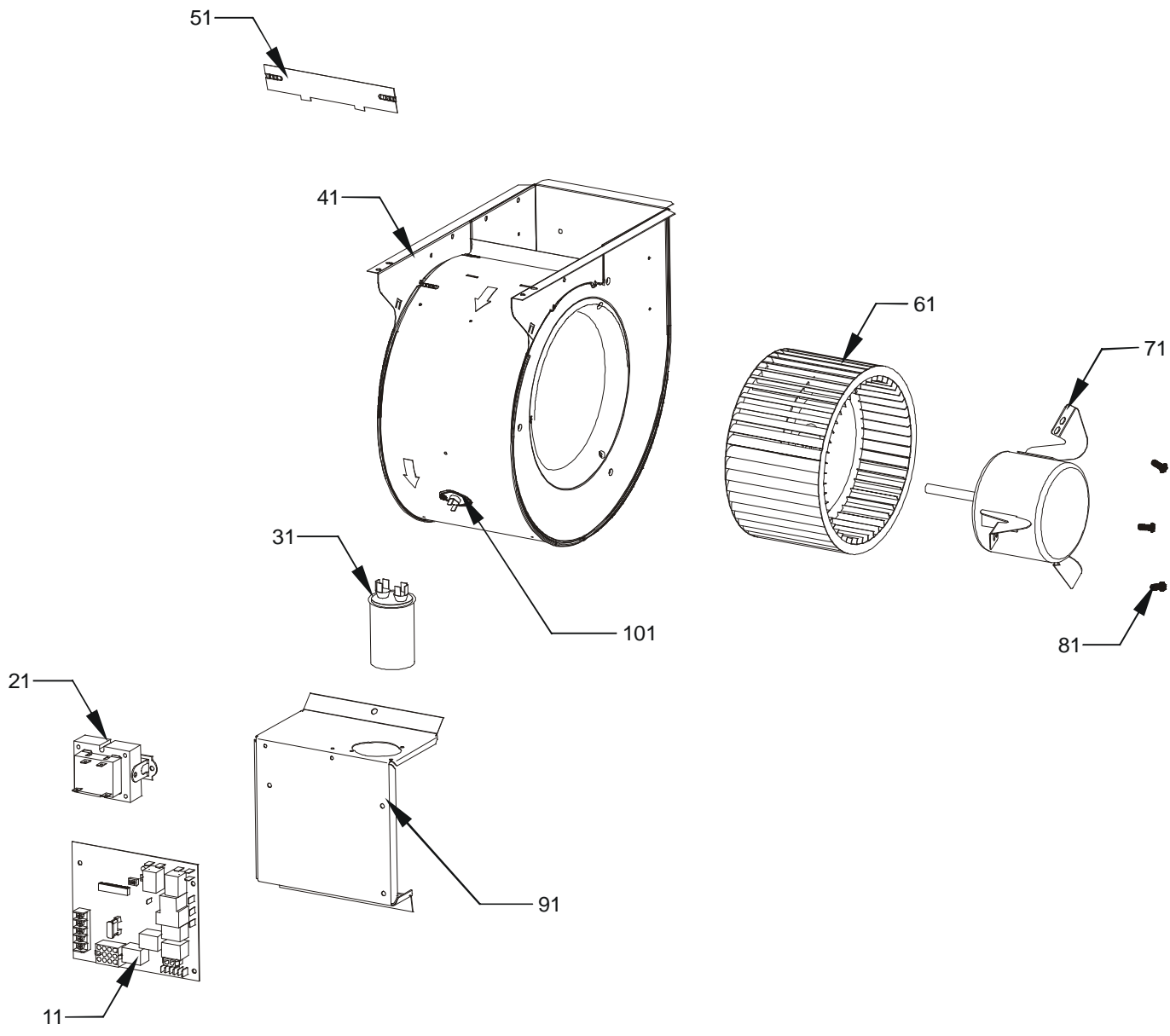
Image 1:

11	0131M00002S	VENT MOTOR
21	0128F00006	CHIMNEY TRANSITION BOTTOM
31	0154F00003	VENT MOTOR GASKET 14" (M1, M2, M3, M4)
31	0154F00004	VENT MOTOR GASKET 17.5" (M5, M6, M7, M8)
31	0154F00005	VENT MOTOR GASKET 21" (M9, M10, M11, M12)
31	0154F00006	VENT MOTOR GASKET 24.5" (M13)
41	4023500	CHIMNEY TRANSITION TOP
51	0121F00126	FLUE COLLECTOR BOX KIT 14" 1.25 DIA (M1, M2)
51	0121F00127	FLUE COLLECTOR BOX KIT 14" 2.0 DIA (M3, M4)
51	0121F00128	FLUE COLLECTOR BOX KIT 17.5" 1.75 DIA (M5, M6)
51	0121F00161	FLUE COLLECTOR BOX KIT 17.5" 2.0 DIA (M7, M8)
51	0121F00130	FLUE COLLECTOR BOX KIT 21" 2.25 DIA (M9, M10, M11, M12)
51	0121F00131	FLUE COLLECTOR BOX KIT 24.5" 3.5 DIA (M13)

Expanded Model Nomenclature

M1 - GMS80453ANCC
M2 - GMS80453AXCC
M3 - GMS80703ANCC
M4 - GMS80703AXCC
M5 - GMS80704BNCC
M6 - GMS80704BXCC
M7 - GMS80904BNCC
M8 - GMS80904BXCC
M9 - GMS80905CNCC
M10 - GMS80905CXCC
M11 - GMS81155CNCC
M12 - GMS81155CXCC
M13 - GMS81405DNCC

# Blower and Control Panel



# Blower and Control Panel

Ref. Part No:	Part No:	Description:	Ref. Part No:	Part No:	Description:
---------------	----------	--------------	---------------	----------	--------------

Image 1:

11	PCBBF123S	IGNITION BOARD, HSI INTEGRATED
21	B1141605	TRANSFORMER 120V TO 24V, 40 VA
31	CAP125000370RPS	CAPACITOR 12.5/370V (M1, M2, M3, M4)
31	CAP200000440RPS	CAPACITOR 20/370V (M5, M6, M7, M8, M9, M10, M11, M12)
31	CAP250000370RPS	CAPACITOR 25/370V (M13)
41	2539307S	BLOWER HOUSING 10 X 10 (M9, M10, M11, M12, M13)
41	2539305S	BLOWER HOUSING 10 X 6 (M1, M2, M3, M4)
41	2539306S	BLOWER HOUSING 10 X 8 (M5, M6, M7, M8)
51	764741F	BLOWER BLOCK-OFF 10 X 10 (M9, M10, M11, M12, M13)
51	764740F	BLOWER BLOCK-OFF 10 X 8 (M5, M6, M7, M8)
51	764739	BLOWER CUT-OFF 10 X 6 (M1, M2, M3, M4)
61	D6723311S	BLOWER WHEEL (M13)
61	B1368047A	BLOWER WHEEL 10 X 10 (M9, M10, M11, M12)
61	B1368034S	BLOWER WHEEL 10 X 6 (M1, M2, M3, M4)
61	B1368016S	BLOWER WHEEL 10 X 8 (M5, M6, M7, M8)
71	0131F00021	BLOWER MOTOR 1/3HP, 4SP, 6PL (M1, M2, M3, M4)
71	0131F00022	BLOWER MOTOR 1/2 HP, 4 SP, 6 PL (M5, M6, M7, M8, M9, M10, M11, M12)
71	20046618S	BLOWER MOTOR 3/4 HP (M13)
81	M0250558	TC SCREW (QTY 3)
91	1815817	CONTROL MOUNT PANEL
101	0130F00038	PRIMARY LIMIT - LT BLUE 120°

Expanded Model Nomenclature

M1 - GMS80453ANCC
M2 - GMS80453AXCC
M3 - GMS80703ANCC
M4 - GMS80703AXCC
M5 - GMS80704BNCC
M6 - GMS80704BXCC
M7 - GMS80904BNCC
M8 - GMS80904BXCC
M9 - GMS80905CNCC
M10 - GMS80905CXCC
M11 - GMS81155CNCC
M12 - GMS81155CXCC
M13 - GMS81405DNCC

**THIS PAGE INTENTIONALLY LEFT BLANK**