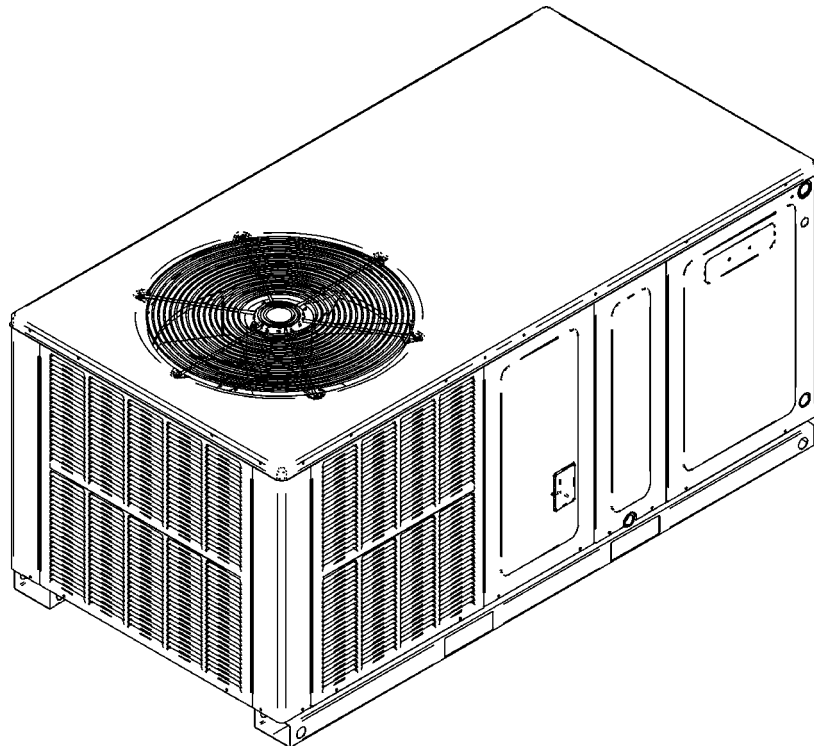


REPAIR PARTS

GPH14 H-Series Package Heat Pumps

GPH1424H41AB
GPH1430H41AB
GPH1436H41AB
GPH1442H41AB
GPH1448H41AB
GPH1460H41AB



This manual is to be used by qualified technicians only.

© 2010 Goodman Manufacturing Company, L.P. ♦ 5151 San Felipe, Suite 500 ♦ Houston, TX 77056

Important Information

Index

Functional Parts List	3
Illustration and Parts	4 - 11

Views shown are for parts illustrations only, not servicing procedures.

Text Codes:

AR - As Required

NA - Not Available

NS - Not Shown

00000000 - See Note

QTY - Quantity Example (QTY 3) (If Quantity not shown, Quantity = 1)

M - Model Example (M1) (If M Code not shown, then part is used on all Models)

Expanded Model Nomenclature:

Example M1 - Model#1 M2 - Model#2 M3 - Model#3

Goodman Manufacturing Company, L.P. is not responsible for personal injury or property damage resulting from improper service. Review all service information before beginning repairs.

Warranty service must be performed by an authorized technician, using authorized factory parts. If service is required after the warranty expires, Goodman Manufacturing Company, L.P. also recommends contacting an authorized technician and using authorized factory parts.

Goodman Manufacturing Company, L.P. reserves the right to discontinue, or change at any time, specifications or designs without notice or without incurring obligations.

For assistance within the U.S.A. contact:
Consumer Affairs Department
Goodman Manufacturing Company, L.P.
7401 Security Way
Houston, Texas 77040
877-254-4729-Telephone
713-863-2382-Facsimile

For assistance outside the U.S.A. contact:
International Division
Goodman Manufacturing Company, L.P.
7401 Security Way
Houston, Texas 77040
713-861-2500-Telephone
713-863-2382-Facsimile

Functional Parts

**Part
No:**

Description:

0131M00207	BLOWER MOTOR 1/2 HP PROGRAMMED (M1)
0131M00208	BLOWER MOTOR 1/2 HP PROGRAMMED (M2)
0131M00209	BLOWER MOTOR 1/2 HP PROGRAMMED (M3)
0131M00210	BLOWER MOTOR 1/2 HP PROGRAMMED (M4)
0131M00211	BLOWER MOTOR 3/4 HP PROGRAMMED (M6)
0131M00206	BLOWER MOTOR 3/4 HP PROGRAMMED (M5)
B1368016S	BLOWER WHEEL 10 X 8 (M1, M2, M3, M4, M5)
B1368054	BLOWER WHEEL 11 X 8 (M6)
CAP050400440RT	CAPACITOR 5/40/440V (M1, M2)
CAP050450440RT	CAPACITOR 5/45/440V (M3, M4, M5)
CAP050700440RTS	CAPACITOR 5/70/440V (M6)
ZP21K5EPFV830	COMPRESSOR 21300, 208/230/60/1 (M1)
ZP25K5EPFV830	COMPRESSOR 25200, 208/230/60/1 (M2)
ZP31K5EPFV830	COMPRESSOR 31100, 208/230/60/1 (M3)
ZP34K5EPFV130	COMPRESSOR 34500, 208/230/60/1 (M4)
ZP39K5EPFV830	COMPRESSOR 39000, 208/230/60/1 (M5)
ZP51K5EPFV830	COMPRESSOR 51000, 208/230/60/1 (M6)
0131M00007PS	COND MOTOR 1/4 HP, 1 SP, 6 PL (M4, M5, M6)
0131M00061S	COND MOTOR 1/4 HP, 1 SP, 8 PL (M3)
0131M00009P	COND MOTOR, 1/6 HP, 1 SP, 8 PL (M1, M2)
CONT1P025024VS	CONTACTOR 25 AMP, 1P, 24V (M1, M2, M3)
CONT1P030024VS	CONTACTOR 30 AMP, 1P, 24V (M4, M5)
CONT2P040024VS	CONTACTOR 40 AMP, 2P, 24V (M6)
0230G00005	CRANKCASE HEATER SWITCH (M6)
PCBDM133	DEFROST CONTROL BOARD
0130M00057	DEFROST THERMOSTAT (M1, M2, M3, M5)
0130M00009P	DEFROST THERMOSTAT OPEN 60°, CLOSE 34° (M4, M6)
0150G00001S	FAN BLADE (M4, M5, M6)
0150G00005	FAN BLADE (M1, M2)
B1086765	FAN BLADE, TYPE 3 (M3)
0163R00003	HEATER, CRANKCASE 230V 40W (M6)
0130M00074	HIGH PRESSURE SWITCH
0130M00075	LOW PRESSURE SWITCH
0151M00019	REVERSING VALVE (M1, M2)
0151M00021	REVERSING VALVE (M3, M4, M5, M6)
B1225022S	SOLENOID COIL
B1141643	TRANSFORMER 208/230, 24V

SPECIAL PARTS

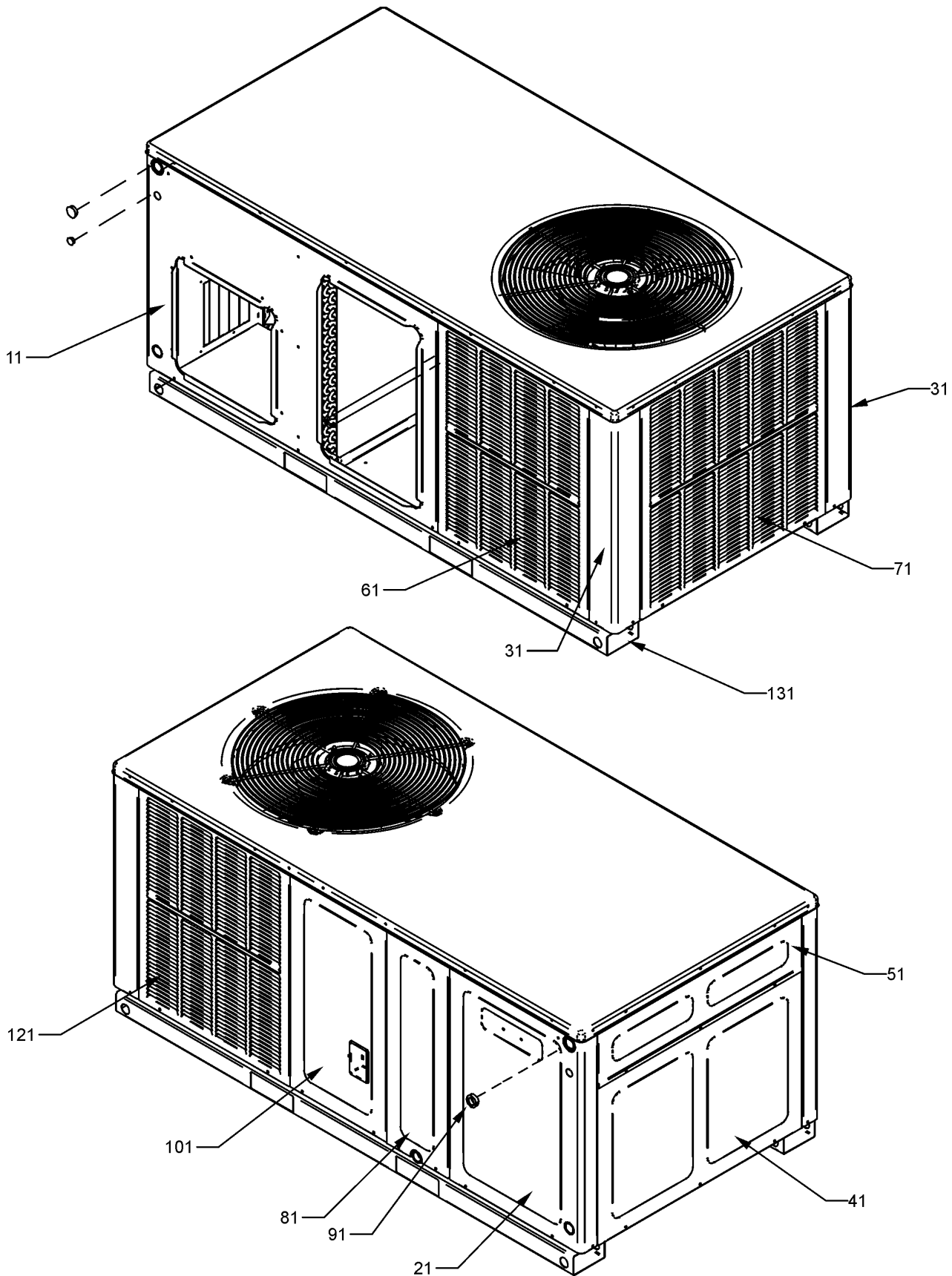
IO-398 I&O

B1757910 SUPPLEMENTAL INSERT (EBTDR)

Expanded Model Nomenclature

M1 - GPH1424H41AB
M2 - GPH1430H41AB
M3 - GPH1436H41AB
M4 - GPH1442H41AB
M5 - GPH1448H41AB
M6 - GPH1460H41AB

Cabinet Assembly



Cabinet Assembly

Ref. Part No: No:	Description:	Ref. Part No: No:	Description:
-------------------	--------------	-------------------	--------------

Image 1:

11	0270G00008PS	INSULATED ASSY, DUCT PANEL 27.5" (M1, M2)
11	0270G00009PS	INSULATED ASSY, DUCT PANEL 32.5" (M3, M4)
11	0270G00010PS	INSULATED ASSY, DUCT PANEL 36" (M5, M6)
21	0270G00011PS	INSULATED ASSY, CORNER PANEL 27.5" (M1, M2)
21	0270G00012PS	INSULATED ASSY, CORNER PANEL 32.5" (M3, M4)
21	0270G00013PS	INSULATED ASSY, CORNER PANEL 36" (M5, M6)
31	0121G00047PDGS	CORNER POST 27.5" (M1, M2)
31	0121G00048PDGS	CORNER POST 32.5" (M3, M4)
31	0121G00082PDG	CORNER POST 36" (M5, M6)
41	0270G00113S	INSULATED ASSY, BLOWER DOOR 27.5" (M1, M2)
41	0270G00114S	INSULATED ASSY, BLOWER DOOR 32.5" (M3, M4)
41	0270G00115S	INSULATED ASSY, BLOWER DOOR 36" (M5, M6)
51	0121G00276DGS	EXTERNAL CONTROL BOX PANEL
61	0121G00069PDGS	LOUVERED PANEL 4 BANK 27.5" (M1, M2)
61	0121G00070PDG	LOUVERED PANEL 4 BANK 32.5" (M3, M4)
61	0121G00090PDGS	LOUVERED PANEL 4 BANK 36" (M5, M6)
71	0121G00072PDG	LOUVERED PANEL 5 BANK 27.5" (M1, M2)
71	0121G00073PDGS	LOUVERED PANEL 5 BANK 32.5" (M3, M4)
71	0121G00091PDGS	LOUVERED PANEL 5 BANK 36" (M5, M6)
81	0270G00017P	EVAP PANEL INSUL ASSY-27.5" (M1, M2)
81	0270G00018P	EVAP PANEL INSUL ASSY-32.5" (M3, M4)
81	0270G00019P	EVAP PANEL INSUL ASSY-36" (M5, M6)
91	B1392011	GROMMET / HS .62 - .45
101	0121G00062PDGS	COMPRESSOR PANEL 13.68" X 27.50" (M1, M2)
101	0121G00060PDGS	COMPRESSOR PANEL 8.75" X 32.50" (M3, M4)
101	0121G00087PDGS	COMPRESSOR PANEL 8.75" X 36" (M5, M6)
121	0121G00069PDGS	LOUVERED PANEL 4 BANK 27.5" (M1, M2)
121	0121G00073PDGS	LOUVERED PANEL 5 BANK 32.5" (M3, M4)
121	0121G00091PDGS	LOUVERED PANEL 5 BANK 36" (M5, M6)
131	0121G00044PRF	BASEPAN RAIL (QTY 2)

Expanded Model Nomenclature

M1 - GPH1424H41AB
M2 - GPH1430H41AB
M3 - GPH1436H41AB
M4 - GPH1442H41AB
M5 - GPH1448H41AB
M6 - GPH1460H41AB

Chassis Assembly

Image 1

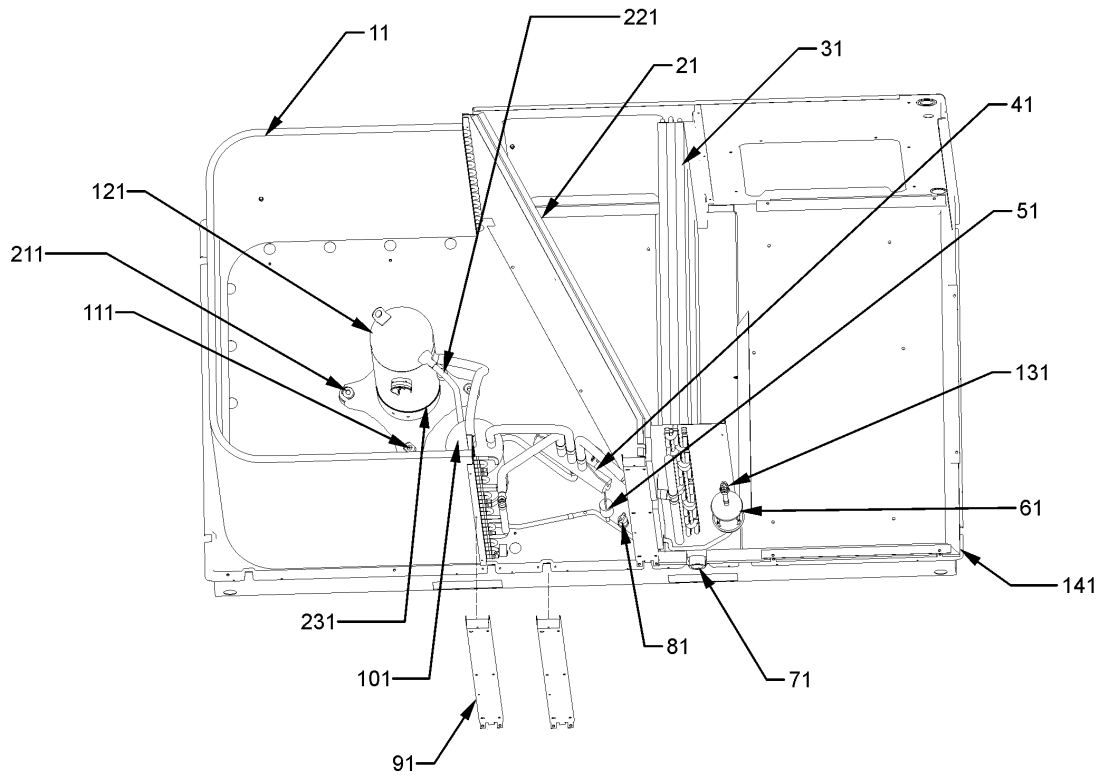


Image 2

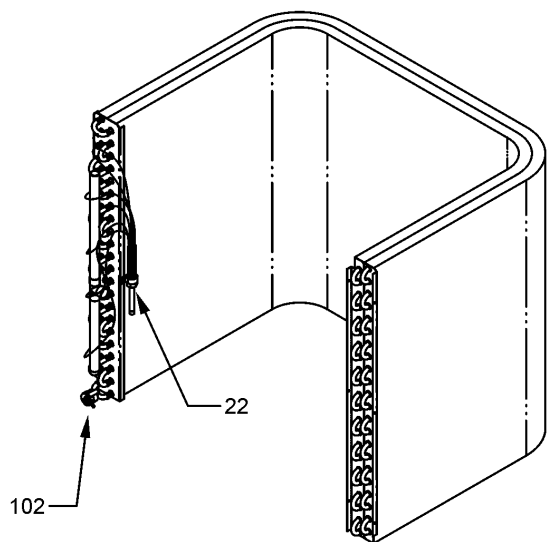
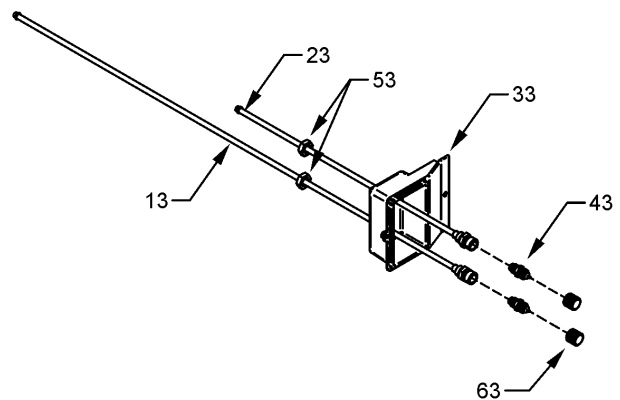


Image 3



Chassis Assembly

Ref. Part No:	Ref. Part No:	Description:	Description:
<i>Image 1:</i>		<i>Image 1:</i>	
11	0201G00123S	TUBING ASSY, COND COIL (M4)	NS 0159G00004 COMPRESSOR SCROLL HARNESS
11	0201G00126S	TUBING ASSY, COND COIL (M3)	NS 0121G00043P EVAP DRIP SHIELD
11	0201G00145	TUBING ASSY, COND COIL (M5)	NS B1225022S SOLENOID COIL
11	0201G00150	TUBING ASSY, COND COIL (M2)	<i>Image 2:</i>
11	0201G00156	TUBING ASSY, COND COIL (M6)	22 0162M00021P FLOWRATOR .047 [COND] (M2)
11	0201G00160	TUBING ASSY, COND COIL (M1)	22 0162M00112S FLOWRATOR .049 [COND] (M1)
21	0270G00075	INSULATED ASSY, PARTITION PANEL 27.5" (M1, M2)	22 0162M00098S FLOWRATOR .065 [COND] (M3, M4, M5)
21	0270G00076	INSULATED ASSY, PARTITION PANEL 32.5" (M3, M4)	22 0162M00012P FLOWRATOR .071 [COND] (M6)
21	0270G00077	INSULATED ASSY, PARTITION PANEL 36" (M5, M6)	102 0130M00057 DEFROST THERMOSTAT (M1, M2, M3, M5)
31	0202G00271S	TUBING ASSY, EVAP COIL (M3)	102 0130M00009P DEFROST THERMOSTAT OPEN 60°, CLOSE 34° (M4, M6)
31	0202G00298	TUBING ASSY, EVAP COIL (M2)	<i>Image 3:</i>
31	0202G00300	TUBING ASSY, EVAP COIL (M1)	13 0201G00031P PROCESS TUBE ASSY - SUCTION
31	0202G00302	TUBING ASSY, EVAP COIL (M6)	23 0201G00030P PROCESS TUBE ASSY - LIQUID
31	0202G00305	TUBING ASSY, EVAP COIL (M5)	33 0161G00001P ACCESS FITTING BOX
31	0202G00307	TUBING ASSY, EVAP COIL (M4)	43 B1373315 ACCESS FITTING (QTY 2)
41	0151M00019	REVERSING VALVE (M1, M2)	53 0163G00000P FASTEST FITTING NUT (QTY 2)
41	0151M00021	REVERSING VALVE (M3, M4, M5, M6)	63 B9102097 CAP W/O-RING (QTY 2)
51	0130M00074	HIGH PRESSURE SWITCH	Expanded Model Nomenclature
61	B1219204	BI-FLOW FILTER DRIER	M1 - GPH1424H41AB
71	0270G00004PS	DRAIN PAN ASSY	M2 - GPH1430H41AB
81	0130M00075	LOW PRESSURE SWITCH	M3 - GPH1436H41AB
91	0121G00045P	POST 27.5" (M1, M2)	M4 - GPH1442H41AB
91	0121G00079P	POST 32.5" (M3, M4)	M5 - GPH1448H41AB
91	0121G00083P	POST 36" (M5, M6)	M6 - GPH1460H41AB
101	B1226206	ACCUMULATOR (M1, M2)	
101	B1226207	ACCUMULATOR .875 (M3, M4, M5, M6)	
111	B1339533	COMPRESSOR GROMMET (QTY 4)	
121	ZP21K5EPFV830	COMPRESSOR 21300, 208/230/60/1 (M1)	
121	ZP25K5EPFV830	COMPRESSOR 25200, 208/230/60/1 (M2)	
121	ZP31K5EPFV830	COMPRESSOR 31100, 208/230/60/1 (M3)	
121	ZP34K5EPFV130	COMPRESSOR 34500, 208/230/60/1 (M4)	
121	ZP39K5EPFV830	COMPRESSOR 39000, 208/230/60/1 (M5)	
121	ZP51K5EPFV830	COMPRESSOR 51000, 208/230/60/1 (M6)	
131	0162M00111S	FLOWRATOR .057 [EVAP] (M1)	
131	0162M00018PS	FLOWRATOR .065 [EVAP] (M2)	
131	0162M00053	FLOWRATOR .068 [EVAP] (M3)	
131	0162M00109S	FLOWRATOR .072 [EVAP] (M4)	
131	0162M00019P	FLOWRATOR .076 [EVAP] (M5)	
131	0162M00093	FLOWRATOR .088 [EVAP] (M6)	
141	0273G00001P	INSULATED ASSY, BASEPAN	
211	M0221641	TF SHOULDER SCREW (QTY 4)	
221	0230G00005	CRANKCASE HEATER SWITCH (M6)	
231	0163R00003	HEATER, CRANKCASE 230V 40W (M6)	

Top Panel and Control Box Assembly

Image 1

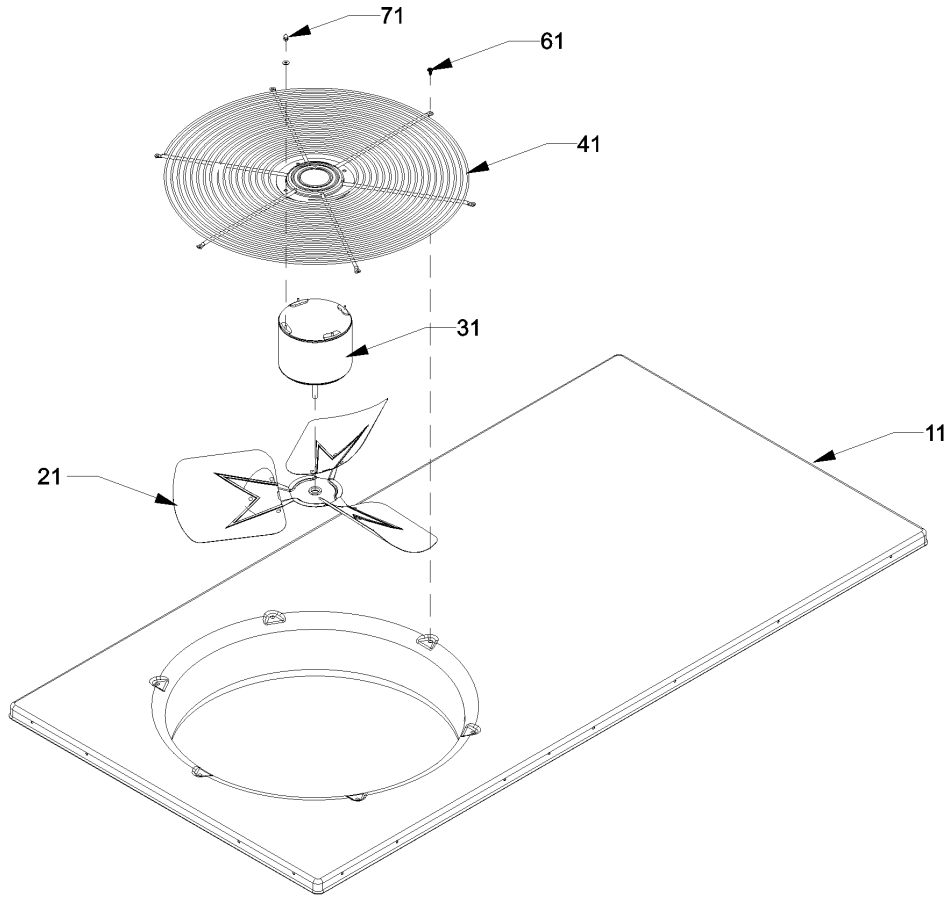
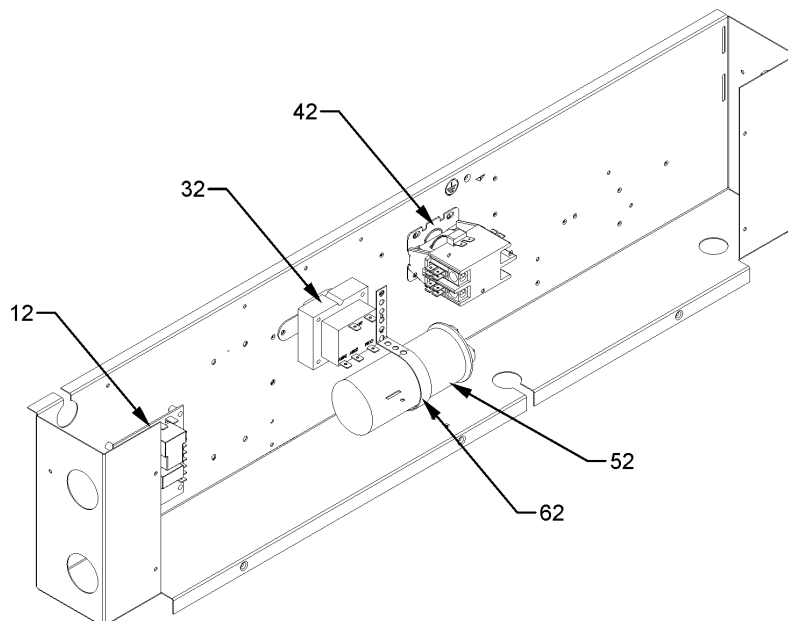


Image 2



Top Panel and Control Box Assembly

Ref. Part No: No:	Description:	Ref. Part No: No:	Description:
-------------------	--------------	-------------------	--------------

Image 1:

11	0274G00037	INSULATED ASSY, TOP PANEL
21	0150G00001S	FAN BLADE (M4, M5, M6)
21	0150G00005	FAN BLADE (M1, M2)
21	B1086765	FAN BLADE, TYPE 3 (M3)
31	0131M00007PS	COND MOTOR 1/4 HP, 1 SP, 6 PL (M4, M5, M6)
31	0131M00061S	COND MOTOR 1/4 HP, 1 SP, 8 PL (M3)
31	0131M00009P	COND MOTOR, 1/6 HP, 1 SP, 8 PL (M1, M2)
41	0152G00002S	FAN GRILLE
61	M0221817	SMALL SCREW (QTY 6)
71	0163M00006P	ACORN NUT 5/16 HEX BLACK (QTY 4)
NS	17788000083F	PVC CONDUIT 8.25"

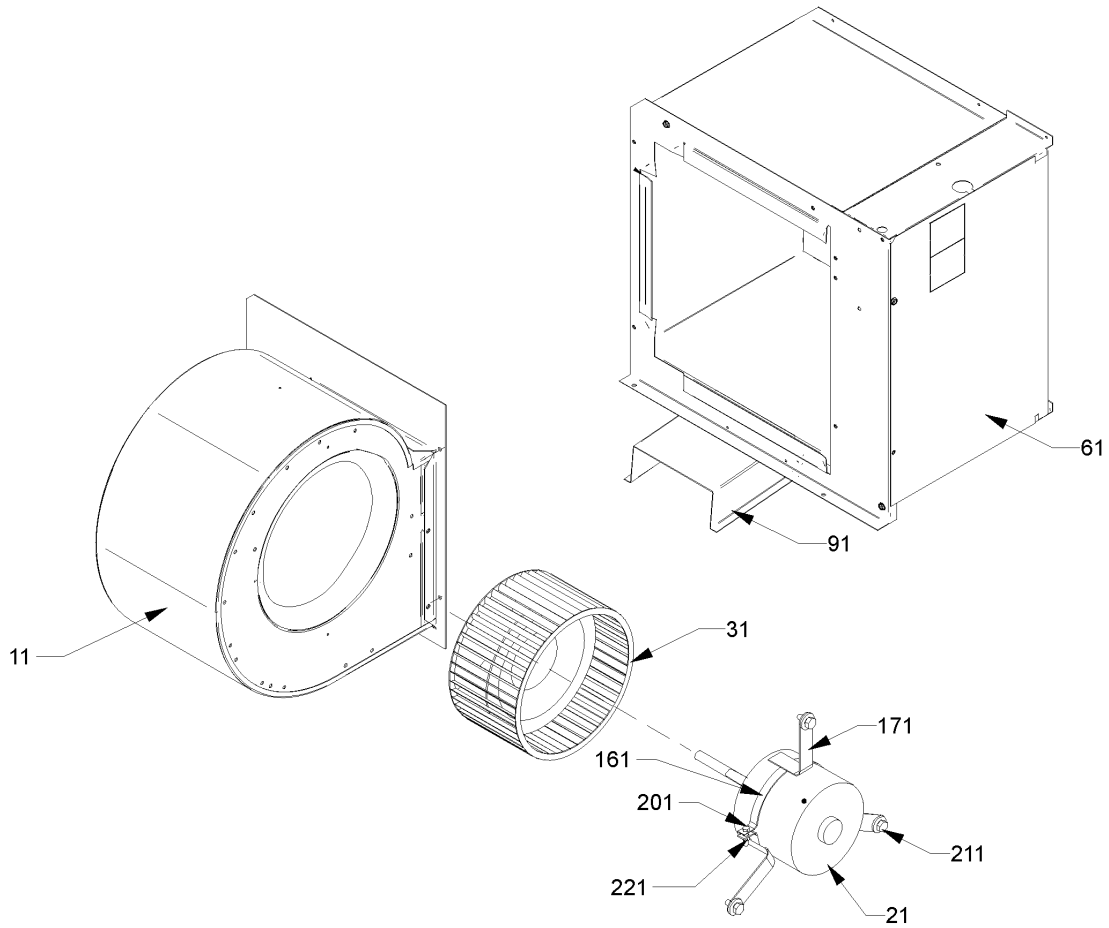
Image 2:

12	PCBDM133	DEFROST CONTROL BOARD
32	B1141643	TRANSFORMER 208/230, 24V
42	CONT1P025024VS	CONTACTOR 25 AMP, 1P, 24V (M1, M2, M3)
42	CONT1P030024VS	CONTACTOR 30 AMP, 1P, 24V (M4, M5)
42	CONT2P040024VS	CONTACTOR 40 AMP, 2P, 24V (M6)
52	CAP050400440RT	CAPACITOR 5/40/440V (M1, M2)
52	CAP050450440RT	CAPACITOR 5/45/440V (M3, M4, M5)
52	CAP050700440RTS	CAPACITOR 5/70/440V (M6)
62	20520901	CAPACITOR STRAP
NS	0259G00003	WIRE HARNESS, ELECTRIC HEAT

Expanded Model Nomenclature

M1 - GPH1424H41AB
M2 - GPH1430H41AB
M3 - GPH1436H41AB
M4 - GPH1442H41AB
M5 - GPH1448H41AB
M6 - GPH1460H41AB

Blower Assembly



Blower Assembly

Ref. Part No:	No:	Description:	Ref. Part No:	No:	Description:
---------------	-----	--------------	---------------	-----	--------------

Image 1:

11	10324248	BLOWER HOUSING 10 X 8 (M1, M2, M3, M4, M5)
11	0271G00017	BLOWER HOUSING 11 X 8 (M6)
21	0131M00207	BLOWER MOTOR 1/2 HP PROGRAMMED (M1)
21	0131M00208	BLOWER MOTOR 1/2 HP PROGRAMMED (M2)
21	0131M00209	BLOWER MOTOR 1/2 HP PROGRAMMED (M3)
21	0131M00210	BLOWER MOTOR 1/2 HP PROGRAMMED (M4)
21	0131M00206	BLOWER MOTOR 3/4 HP PROGRAMMED (M5)
21	0131M00211	BLOWER MOTOR 3/4 HP PROGRAMMED (M6)
31	B1368016S	BLOWER WHEEL 10 X 8 (M1, M2, M3, M4, M5)
31	B1368054	BLOWER WHEEL 11 X 8 (M6)
61	0121G00039PS	HEATER KIT COVER
91	0121G00040P	BLOWER SUPPORT
161	0121M00038	MOTOR MOUNT BAND
171	B1376853	MOTOR MOUNT ARM (M1, M2, M3, M4, M5)
171	B1376857	MOTOR MOUNT ARM (M6)
201	B1393323	MACHINE SCREW HWH 1/4-20 X 1-1/2 BZ
211	M0250565	TC SCREW 1.25" (QTY 3)
221	B1393800	LOCKNUT, NYLON, INSERT 1/4, 20
NS	C6121810	BLOWER CUT-OFF (M1, M2, M3, M4, M5)
NS	2964700	BLOWER CUT-OFF 11 X 8 (M6)

Expanded Model Nomenclature

- M1 - GPH1424H41AB
- M2 - GPH1430H41AB
- M3 - GPH1436H41AB
- M4 - GPH1442H41AB
- M5 - GPH1448H41AB
- M6 - GPH1460H41AB

THIS PAGE INTENTIONALLY LEFT BLANK