

# CA-A540B™ / CA-A800B™

Cinema Power Amplifiers

## Operating Guide





Intended to alert the user to the presence of uninsulated “dangerous voltage” within the product’s enclosure that may be of sufficient magnitude to constitute a risk of electric shock to persons.



Intended to alert the user of the presence of important operating and maintenance (servicing) instructions in the literature accompanying the product.

**CAUTION:** Risk of electrical shock — DO NOT OPEN!

**CAUTION:** To reduce the risk of electric shock, do not remove cover. No user serviceable parts inside. Refer servicing to qualified service personnel.

---

**WARNING:** To prevent electrical shock or fire hazard, do not expose this appliance to rain or moisture. Before using this appliance, read the operating guide for further warnings.



Este símbolo tiene el propósito, de alertar al usuario de la presencia de “(voltaje) peligroso” sin aislamiento dentro de la caja del producto y que puede tener una magnitud suficiente como para constituir riesgo de descarga eléctrica.



Este símbolo tiene el propósito de alertar al usuario de la presencia de instrucciones importantes sobre la operación y mantenimiento en la información que viene con el producto.

**PRECAUCION:** Riesgo de descarga eléctrica ¡NO ABRIR!

**PRECAUCION:** Para disminuir el riesgo de descarga eléctrica, no abra la cubierta. No hay piezas útiles dentro. Deje todo mantenimiento en manos del personal técnico cualificado.

---

**ADVERTENCIA:** Para evitar descargas eléctricas o peligro de incendio, no deje expuesto a la lluvia o humedad este aparato. Antes de usar este aparato, lea más advertencias en la guía de operación.



Ce symbole est utilisé dans ce manuel pour indiquer à l'utilisateur la présence d'une tension dangereuse pouvant être d'amplitude suffisante pour constituer un risque de choc électrique.



Ce symbole est utilisé dans ce manuel pour indiquer à l'utilisateur qu'il ou qu'elle trouvera d'importantes instructions concernant l'utilisation et l'entretien de l'appareil dans le paragraphe signalé.

**ATTENTION:** Risques de choc électrique — NE PAS OUVRIR!

**ATTENTION:** Afin de réduire le risque de choc électrique, ne pas enlever le couvercle. Il ne se trouve à l'intérieur aucune pièce pouvant être réparée par l'utilisateur. Confiez l'entretien et la réparation de l'appareil à un réparateur Peavey agréé.

---

**AVERTISSEMENT:** Afin de prévenir les risques de décharge électrique ou de feu, n'exposez pas cet appareil à la pluie ou à l'humidité. Avant d'utiliser cet appareil, lisez attentivement les avertissements supplémentaires de ce manuel.



Dieses Symbol soll den Anwender vor unisolierten gefährlichen Spannungen innerhalb des Gehäuses warnen, die von Ausreichender Stärke sind, um einen elektrischen Schlag verursachen zu können.



Dieses Symbol soll den Benutzer auf wichtige Instruktionen in der Bedienungsanleitung aufmerksam machen, die Handhabung und Wartung des Produkts betreffen.

**VORSICHT:** Risiko — Elektrischer Schlag! Nicht öffnen!

**VORSICHT:** Um das Risiko eines elektrischen Schlages zu vermeiden, nicht die Abdeckung entfernen. Es befinden sich keine Teile darin, die vom Anwender repariert werden könnten. Reparaturen nur von qualifiziertem Fachpersonal durchführen lassen.

---

**ACHTUNG:** Um einen elektrischen Schlag oder Feuergefahr zu vermeiden, sollte dieses Gerät nicht dem Regen oder Feuchtigkeit ausgesetzt werden. Vor Inbetriebnahme unbedingt die Bedienungsanleitung lesen.

## CA-A540B™ and CA-A800B™

### Common Features

- SPS™ compression with LED indicators and defeat switch
- Slew Rate: 20 V/microsecond, stereo mode
- Frequency Response (each channel): 20 Hz to 20 kHz,  $\pm 0.2$  dB, at rated power
- Total Harmonic Distortion: Less than 0.07%, at rated power
- Hum and Noise: 100 dB below rated power, unweighted

Congratulations! You are now the owner of a Peavey CinemAcoustics™ amplifier designed especially for the theater marketplace. The Peavey CinemAcoustics amplifiers, models CA-A540B™ and CA-A800B™, are the result of the latest developments in technology, allowing Peavey to provide you with cost-effective amplifiers that do not sacrifice performance or reliability, while still continuing to meet the demanding needs of today's digital theater.

In the development of the CinemAcoustics CA-A540B and CA-A800B amplifiers, Peavey's engineers left no stone unturned. Right up front at the power source, CinemAcoustics' amplifiers utilize massive power transformers, which are based on a new approach to power transformer design, optimizing both cost and performance. On the power delivery side, these amplifiers utilize the latest in semiconductor power device technology and implement a unique, two-speed fan-cooled heat sink arrangement, insuring quality and ruggedness. The features and performance found in these amplifiers place them in a class of their own — the CinemAcoustics line!

Each amplifier is attractively packaged with rugged rack-mountable construction. The front panel of each amplifier contains a rocker mains power switch, an LED power indicator, and dual LED SPS activation indicators. The back panel of each amplifier has a resettable circuit breaker, an input level control, a Euro input connector, and an output barrier strip. Additionally, the back panel contains switches for stereo/bridge select and SPS defeat.

This operating guide is intended to serve both the CA-A540B and CA-A800B CinemAcoustics series power amplifiers. Although each has different power ratings, the overall packaging and features are similar.

## FRONT PANEL CA-A800B



### (1) SPS COMPRESSION ACTIVE LED

These indicators, one per channel, illuminate when SPS compression is taking place. This LED becomes a CLIP indicator when the rear panel SPS ENABLE/DEFEAT switch is in the DEFEAT position.

### (2) POWER LED

This indicator illuminates when AC mains power is applied to the amplifier and both channels are operational. The power LED will go dark if AC mains power is disconnected, if either channel experiences a fault condition, or if the amplifier exceeds the safe operating temperature limits.

### (3) MAINS POWER SWITCH


The mains power switch is a heavy-duty, rocker-type switch. Selecting the “O” position turns the power amplifier off. Selecting the “I” position turns the power amplifier on.

## BACK PANEL CA-A800B



### (4) MAINS POWER SOURCE


All CinemAcoustics Series power amplifiers are fitted with a single, heavy-duty, three-conductor line cord and a conventional, three-terminal AC plug with a ground pin for 120 V products. For 100 V and 220 V products, the line cord is fitted with the appropriate power connector. The power plug should be connected to an independent circuit capable of supporting at least 15 amps for 100 V and 120 V service, and 7.5 amps for 220 V service. This is particularly important for applications where the amplifiers will be continuously operated at, or near, their maximum power rating. The use of extension cords should be avoided, but when necessary, use a three-wire type with at least a 14 WG wire size.

 Always allow a qualified electrician to install any new electrical service. The ground pin of the power plug is provided for your safety and should not be defeated. To prevent the risk of shock or fire hazard, always be sure that the amplifier is properly grounded.

### NOTE: FOR UK ONLY

As the colors of the wires in the mains lead of this apparatus may not correspond with the colored markings identifying the terminals in your plug, proceed as follows: (1) The wire which is colored green and yellow must be connected to the terminal which is marked by the letter E, or by the earth symbol, or colored green or green and yellow. (2) The wire which is colored blue must be connected to the terminal which is marked with the letter N, or the color black. (3) The wire which is colored brown must be connected to the terminal which is marked with the letter L or the color red.

### (5) CIRCUIT BREAKER


 The power circuit breaker serves to protect the amplifier. The trip current value has been carefully chosen to allow continuous operation at the rated power while still offering adequate protection. Under normal conditions, the breaker will not trip unless there is a fault condition that draws excessive mains current. Please note, however, that abnormal conditions such as a short circuit applied to an output or continuous operation at overload or clipping will also cause the breaker to trip. If you suspect that the breaker has tripped because of abnormal conditions, be sure to remedy the cause of the fault before resetting the breaker. When tripped, the breaker button extends outward nearly 1/2", and can be reset by pushing inward after a brief wait to allow the breaker to cool down. When not tripped, the breaker button extends outward about 1/4". If the

breaker trips instantly each time you attempt to reset it, the unit should be taken to a qualified service center for repair.

## **(6) OUTPUT MONITOR**

This standard Quick-Connect™ RJ11 modular connector provides Channel A and B signals to Peavey's booth monitor products such as the CA-M400. Refer to the diagram above the connector for proper polarity. (+ is equal to the channel's positive output.) The channels are indicated below the connector.

## **(7) BARRIER STRIP SPEAKER OUTPUTS**

 The SPEAKER OUTPUTS for each channel are provided by means of a heavy-duty, four screw barrier strip. The screw terminals marked "+" are the power amplifier outputs for each channel. The remaining screw terminals are ground (chassis). The minimum recommended speaker load impedance is 4 ohms per channel, or 8 ohms in BRIDGE mode. Operation into loads below the recommended load impedance can result in temporary amplifier shutdown due to internal fault sensing.

## **(8) SPS SWITCH**

This switch is used to either ENABLE or DEFEAT the SPS safety compressor. Normally, the SPS switch should be in the ENABLE position to minimize the possibility of a channel going into clipping or overload. With SPS defeated, a severe overload could cause the unit's circuit breaker to trip.

## **(9) MODE SWITCH**

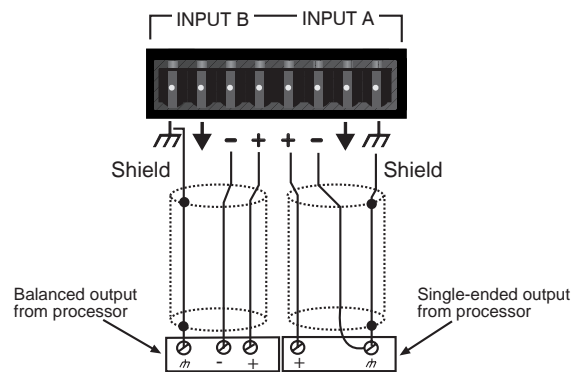
This switch is used to select either STEREO or BRIDGE mode for the amplifier operation. Care should be exercised whenever the BRIDGE mode is selected. Accidental selection of this mode could cause damage to loudspeakers, particularly in BIAMPED systems. **NOTE:** Peavey does not recommend the use of BRIDGE mode for normal theater applications.

## **(10) INPUT LEVEL**

The INPUT controls are labeled in approximately 3 dB increments for ease of gain adjustment. Maximum input gain is achieved at the full clockwise setting. When used with CinemAcoustics signal processors, these controls should be left in the full clockwise position.

## (11) EURO CONNECTOR INPUTS

The popular pluggable Euro connector is provided for the inputs for each channel. These inputs are balanced electronically, with the terminals marked “+” as the positive amplifier inputs, and the terminals marked “-” as the negative amplifier inputs. The remaining terminals are ground (chassis). If possible, always use two-conductor, shielded cables when interconnecting to the amplifier; connecting the twisted pair to the respective “+” and “-” terminals of each amplifier channel, and the shields to the amplifier ground. When connecting to a CinemAcoustics Cinema Processor, or to any signal processor with a balanced output, connect the “+”, “-”, and ground inputs of the power amplifier to the respective “+”, “-”, and ground outputs of the processor. When connecting the amplifier to a Cinema Processor with a single-ended output, again, use a two-conductor, shielded cable and wire the cable to the amplifier as outlined above. At the processor end, wire the “+” amplifier input to the Cinema Processor “+” output, and wire the “-” amplifier input together with the amplifier shield to the Cinema Processor ground. The amplifier can be wired in an unbalanced configuration using single-conductor, shielded cables by connecting the single conductor to the “+” input of each channel, and connecting the shield to both the “-” input and ground of each channel. A similar connection must be made at the Processor as well. See figure below.



Input A is wired in an unbalanced configuration.

Input A is wired in an unbalanced configuration.


Input B is wired in a balanced configuration.

## INSTALLATION AND SETUP

The CinemAcoustics Series of power amplifiers is engineered for durability and high performance in theater installations. Each amplifier is internally cooled by an automatic two-speed fan, and is designed to be installed in a standard 19 inch EIA equipment rack. All input and output connections, as well as level controls, selector switches, and the mains circuit breaker are located on the rear panel. The mains power switch, and the LED indicators for power and SPS activation are located on the front panel. The internal cooling fans pull air in from the rear of the unit and exhaust hot air out the front. When the unit is mounted in an equipment rack, an adequate supply of cool air must be available. Due to the internal fan, it is not necessary to leave a rack space between each amplifier in the stack. Upon power-up, the fan will operate at its low speed and will continue to operate at low speed until sustained, high power operating levels occur. Depending upon signal conditions and amp loading, high-speed fan operation may continue or it may cycle between high and low. The cycling of fan speed during active use is normal. The amplifier thermal sensing circuitry may temporarily shut down the amplifier for a variety of reasons. These reasons include an inadequate supply of cool air, a reduction of air flow due to blockage of the amplifier's inlet or outlet ports, and severe overloading or short circuit of an output. A temporary shutdown will cause the front panel POWER LED to go dark. Depending upon the fault condition, operation could be restored relatively

quickly. In all circumstances, an investigation should be undertaken to determine the cause of the thermal shut down. If the amplifier is not severely overloaded or its outputs shorted, and air flow is normal in and out of the amplifier, steps should be taken to provide a cooler environment for the amplifier, along with any other amplifiers in the same equipment cabinet. As a general rule, the cooler electronic equipment is operated, the longer its useful service life.

## **BRIDGE MODE**

 BRIDGE MODE is not recommended in installations where the amplifier is located at a distance from the speaker system. The CA-A540 and CA-A800 amplifiers are equipped with switching to enable BRIDGE operation, should the installation require it. BRIDGE MODE operation is accomplished by placing the mode switch in the “BRIDGE” position, connecting the load across “+” terminal of Channel “A” for the positive and the “+” terminal of Channel “B” for the negative. Use Channel “A” as the input channel. The Channel “B” input is defeated in this mode. In BRIDGE MODE, the minimum recommended load impedance is 8 ohms.

## **SPS OPERATION**

Peavey’s patented SPS compression system maximizes the performance of the amplifier by preventing the power amplifier from clipping under maximum power delivery conditions. This compression system is activated by a very unique circuit that senses signal conditions which might overload the amplifier, reducing the amp gain when clipping is imminent. The threshold of compression is near the clip point, so no active compression occurs within the normal dynamic range of the audio signal. By preventing clipping, this feature reduces the possibility of system distortion and possible damage to the loudspeaker. In normal theater applications, it is recommended that the SPS compression feature is placed in ENABLE.



## CA-A540B™ and CA-A800B™ SPECIFICATIONS

Characteristics:	CA-A540B	CA-A800B
<b>Output Power 1, 2, 3:</b> 2 Channel Mode, Stereo 4 ohms, 1 kHz at 1% THD 8 ohms, 1 kHz at 1% THD	450 W RMS per channel 270 W RMS per channel	700 W RMS per channel 400 W RMS per channel
<b>Bridge Mode, Mono</b> 8 ohms, 1 kHz at 1% THD	900 W RMS	1400 W RMS
<b>Rated Output Power 1, 2:</b> 4 ohms, 20 Hz to 20 kHz, 0.15% THD 8 ohms, 20 Hz to 20 kHz, 0.1% THD	400 W RMS per chan 240 W RMS per chan	625 W RMS per chan 370 W RMS per chan
<b>Slew Rate 3:</b> Stereo Mode, each channel Bridge Mode, mono	20 volts per uSec. 40 volts per uSec.	20 volts per uSec. 40 volts per uSec.
<b>Total Harmonic Distortion 2, 3:</b> 20 Hz to 20 kHz at rated output, 8 ohms	Less than 0.07%	Less than 0.07%
<b>Input Sensitivity and Impedance 4:</b> At rated output power, 8 ohms Balanced inputs Overall system gain per channel	1.0 V RMS, 0 dBV 6.8k ohms per leg 32.5 dB	1.4 V RMS, +3 dBV 6.8k ohms per leg 32.5 dB
<b>Frequency Response 2, 3:</b> ±1dB, 1 W RMS, 8 ohms ±0.2 dB, at rated output, 8 ohms	10 Hz to 40 kHz 20 Hz to 20 kHz	10 Hz to 40 kHz 20 Hz to 20 kHz
<b>Damping Factor 2, 3:</b> 8 ohms, 1 kHz	Greater than 300	Greater than 300
<b>Hum and Noise 1, 2:</b> Below rated output power, 8 ohms	100 dB, unweighted	100 dB, unweighted
<b>Power Consumption 2:</b> At rated output power, 8 ohms	10.3 A at 100 VAC 8.6 A at 120 VAC 4.3 A at 220 VAC	15.2 A at 100 VAC 12.7 A at 120 VAC 6.4 A at 220 VAC
<b>Cooling System:</b>	Two-speed fan	Two-speed fan
<b>SPS Compression System:</b>	Switchable with LED	Switchable with LED
<b>Dimensions and Weight:</b>		
<b>Height:</b>	5.25" (13.3 cm)	7" (17.8 cm)
<b>Width:</b>	19" (48.3 cm)	19" (48.3 cm)
<b>Depth:</b>	15" (38.1 cm)	15" (38.1 cm)
<b>Weight:</b>	45 lbs. (20.5 kg)	55 lbs. (25.0 kg)

**Notes:**

(1) @ 120 VAC, 60 Hz (2) Stereo mode, both channels driven (3) Typical value (4) Input attenuator set FCW

## IMPORTANT SAFETY INSTRUCTIONS

**WARNING:** When using electric products, basic cautions should always be followed, including the following:

1. Read these instructions.
2. Keep these instructions.
3. Heed all warnings.
4. Follow all instructions.
5. Do not use this apparatus near water. For example, near or in a bathtub, swimming pool, sink, wet basement, etc.
6. Clean only with a damp cloth.
7. Do not block any of the ventilation openings. Install in accordance with manufacturer's instructions. It should not be placed flat against a wall or placed in a built-in enclosure that will impede the flow of cooling air.
8. Do not install near any heat sources such as radiators, heat registers, stoves or other apparatus (including amplifiers) that produce heat.
9. Do not defeat the safety purpose of the polarized or grounding-type plug. A polarized plug has two blades with one wider than the other. A grounding type plug has two blades and a third grounding plug. The wide blade or third prong is provided for your safety. When the provided plug does not fit into your inlet, consult an electrician for replacement of the obsolete outlet. Never break off the grounding. Write for our free booklet "Shock Hazard and Grounding". Connect only to a power supply of the type marked on the unit adjacent to the power supply cord.
10. Protect the power cord from being walked on or pinched, particularly at plugs, convenience receptacles, and the point they exit from the apparatus.
11. Only use attachments/accessories provided by the manufacturer.
12. Use only with a cart, stand, tripod, bracket, or table specified by the manufacturer, or sold with the apparatus. When a cart is used, use caution when moving the cart/apparatus combination to avoid injury from tip-over.
13. Unplug this apparatus during lightning storms or when unused for long periods of time.
14. Refer all servicing to qualified service personnel. Servicing is required when the apparatus has been damaged in any way, such as power-supply cord or plug is damaged, liquid has been spilled or objects have fallen into the apparatus, the apparatus has been exposed to rain or moisture, does not operate normally, or has been dropped.
15. If this product is to be mounted in an equipment rack, rear support should be provided.
16. Exposure to extremely high noise levels may cause a permanent hearing loss. Individuals vary considerably in susceptibility to noise-induced hearing loss, but nearly everyone will lose some hearing if exposed to sufficiently intense noise for a sufficient time. The U.S. Government's Occupational and Health Administration (OSHA) has specified the following permissible noise level exposures:

Duration Per Day In Hours	Sound Level dBA, Slow Response
8	90
6	92
4	95
3	97
2	100
1 1/2	102
1	105
1/2	110
1/4 or less	115

According to OSHA, any exposure in excess of the above permissible limits could result in some hearing loss. Ear plugs or protectors to the ear canals or over the ears must be worn when operating this amplification system in order to prevent a permanent hearing loss, if exposure is in excess of the limits as set forth above. To ensure against potentially dangerous exposure to high sound pressure levels, it is recommended that all persons exposed to equipment capable of producing high sound pressure levels such as this amplification system be protected by hearing protectors while this unit is in operation.

**SAVE THESE INSTRUCTIONS!**

## CA-A540B™ y CA-A800B™

### Características comunes

- Compresión SPS™ con LED indicadores e interruptor de anulación
- Velocidad de transición: 20 V/μs, modo estereofónico
- Respuesta de frecuencia (cada canal): 20 Hz a 20 kHz, ± 0,2 dB a la potencia nominal
- Distorsión armónica total: < 0,07 % a la potencia nominal
- Zumbido y ruido: 100 dB por debajo de la potencia nominal, sin ponderación

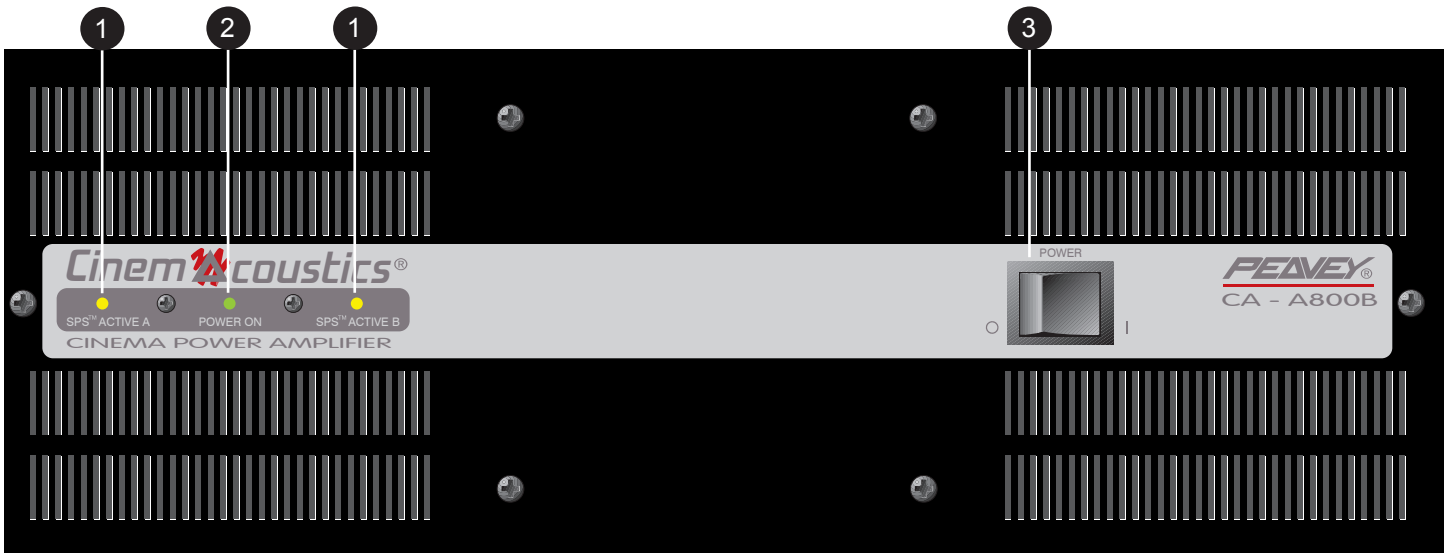
¡Felicitaciones! Usted acaba de comprar un amplificador Peavey CinemAcoustics™, diseñado especialmente para el mercado de las salas de cine y teatro. Los amplificadores CinemAcoustics modelos CA-A540B™ y CA-A800B™ son el resultado de los más recientes desarrollos tecnológicos. Peavey ofrece estas unidades de costo económico que no comprometen ni el rendimiento ni la confiabilidad, y que continúan satisfaciendo las exigentes necesidades digitales de las modernas salas de cine y teatro de la actualidad.

En el desarrollo de los amplificadores CinemAcoustics CA-A540B y CA-A800B, los ingenieros de Peavey realizaron todo tipo de modificaciones. En la fuente de alimentación, un componente vital, los amplificadores CinemAcoustics utilizan masivos transformadores de potencia. Su diseño, basado en un nuevo enfoque, optimiza tanto el costo como el rendimiento. Para entregar toda su capacidad, estos amplificadores utilizan la última palabra en tecnología de semiconductores de potencia. Cuentan con un singular sistema de disipadores de calor enfriados por ventiladores de dos velocidades, lo que asegura su calidad y solidez. Las características y prestaciones de estos amplificadores los colocan en una categoría aparte: ¡la línea CinemAcoustics!

El exterior de los amplificadores ofrece un aspecto atractivo y resistente que permite el montaje en bastidores. El panel frontal de cada unidad contiene un interruptor de alimentación de línea de tipo basculante, un LED indicador de encendido, y dos LED indicadores de activación de SPS. El panel posterior cuenta con un disyuntor reinicializable, un control de nivel de entrada, un conector de entrada de norma europea y una tira de barrera con terminales de salida. Además, el panel posterior incluye conmutadores para selección de modo estereofónico/puente y anulación de SPS.

Esta guía de operación corresponde a dos modelos de amplificadores de potencia CinemAcoustics: CA-A540B y CA-A800B. Si estos modelos bien difieren en sus especificaciones de potencia nominal, las características externas y las funciones disponibles son similares.

## FRONT PANEL CA-A800B



### (1) LED INDICADOR DE COMPRESIÓN SPS ACTIVA

Estos indicadores, uno por canal, se encienden cuando está activa la compresión SPS. Si el conmutador ENABLE/DEFEAT (activar/anular) del panel posterior se encuentra en la segunda posición, el LED indica la condición de recorte de la señal.

### (2) LED INDICADOR DE ENCENDIDO

Este indicador se enciende cuando el interruptor de alimentación de CA está en la posición de encendido del amplificador y ambos canales están activos. El indicador se apaga si se desconecta la alimentación de línea, si alguno de los canales experimenta una condición de falla o si el amplificador excede los límites seguros de temperatura de alimentación.

### (3) INTERRUPTOR DE ALIMENTACIÓN DE LÍNEA

Este interruptor es del tipo basculante, para servicio pesado. Si se coloca en la posición “O”, el amplificador se apaga; si se coloca en la posición “I”, el amplificador se enciende.

## BACK PANEL CA-A800B



### (4) FUENTE DE ALIMENTACIÓN PRINCIPAL

Todos los amplificadores de la serie CinemAcoustics para 120 V cuentan con un único cable de alimentación de tres conductores para servicio pesado, y un enchufe para CA de tres terminales con terminal de tierra. Los modelos para 100 V y 220 V tienen un conector de alimentación apropiado. El enchufe de alimentación debe conectarse a un circuito independiente capaz de proporcionar por lo menos 15 A para los modelos de 100 V y 120 V, y 7,5 A para los modelos de 220 V. Esto es particularmente importante en aplicaciones en que los amplificadores deben operar en modo continuo y a máxima potencia, o a un nivel próximo a ella. Se recomienda evitar el uso de cables de extensión pero, si es necesario, puede utilizarse una extensión de tres conductores de calibre N° 14 AWG o superior.

⚡ La instalación de cables nuevos debe siempre ser realizada por un electricista calificado. El terminal de tierra del enchufe de alimentación se incluye con fines de seguridad y no debe ser anulado. Para prevenir riesgos de choque eléctrico y de incendio, asegúrese siempre de que el amplificador esté correctamente conectado a tierra.

### (5) DISYUNTOR

⚠ El disyuntor de alimentación protege al amplificador. El nivel de la corriente de disparo se ha seleccionado cuidadosamente para permitir el funcionamiento continuo a la potencia nominal y, al mismo tiempo, ofrecer una protección adecuada. En condiciones de funcionamiento normales, el disyuntor no se dispara a menos que exista una condición de falla que demande una corriente de línea excesiva. No obstante, las condiciones anormales tales como cortocircuitos de salidas o la operación continua con sobrecarga o recorte de señal también provocan el disparo del disyuntor. Si usted cree que el disyuntor se ha disparado debido a una condición anormal, corrija la causa que generó la falla antes de reiniciar el disyuntor. Cuando el disyuntor se dispara, el botón sobresale aproximadamente 1 cm. Después de una breve espera para permitir que el disyuntor se enfríe, éste puede reiniciarse empujando el botón hacia adentro. Si el disyuntor no se ha disparado, el botón sobresale aproximadamente 0,5 cm. Si el disyuntor se dispara inmediatamente después de ser reiniciado, la unidad debe ser llevada a un centro de servicios calificado para su reparación.

## (6) MONITOR DE SALIDA

Este conector modular estándar es del tipo RJ11 Quick-Connect™ y proporciona señales a los canales A y B de los monitores de cabina Peavey, tales como el modelo CA-M400. La polaridad adecuada de los conectores se muestra en el diagrama anterior. (El terminal “+” corresponde a la salida positiva del canal.) El canal se indica debajo de cada conector.

## (7) SALIDAS DE ALTAVOCES CON TIRA DE BARRERA



Las salidas de altavoces de cada canal se encuentran en una tira de barrera para servicio pesado con cuatro tornillos. Los terminales indicados con el signo “+” corresponden a las salidas de cada canal del amplificador de potencia.

El resto de los terminales corresponden a tierra (chasis). La mínima impedancia de carga de altavoces recomendada es 4  $\Omega$  por canal, y 8  $\Omega$  en el modo de puente. La operación con cargas inferiores a la impedancia de carga recomendada puede resultar en el apagado transitorio del amplificador por detección de fallas internas.

## (8) CONMUTADOR SPS

Este interruptor se utiliza para activar o anular (ENABLE/DEFEAT) el compresor de seguridad SPS. Normalmente, el conmutador SPS debe estar en la posición ENABLE (activado) para minimizar la posibilidad de que los canales funcionen con recortes o sobrecargas. Si la compresión SPS se encuentra anulada, una sobrecarga intensa puede producir el disparo del disyuntor de la unidad.

## (9) CONMUTADOR DE MODO

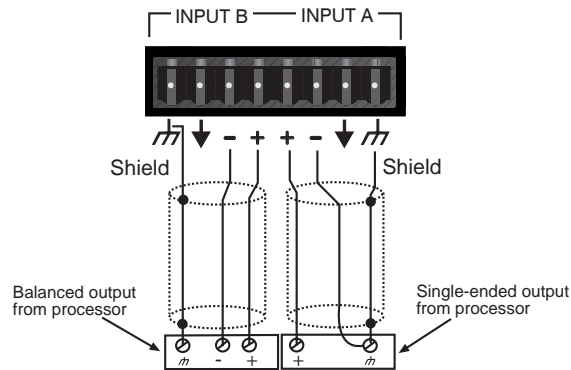
Este conmutador permite seleccionar entre los modos estereofónico y puente (STEREO/BRIDGE). Es necesario tener cuidado cuando se selecciona la posición BRIDGE (puente), pues su selección accidental puede dañar los altavoces, en particular en sistemas biamplificados. **Nota:** Peavey no recomienda el uso del modo de puente en las aplicaciones normales de salas de cine y teatro.

## (10) NIVEL DE ENTRADA

Para facilitar el ajuste de la ganancia, los controles de entrada (INPUT) están graduados en incrementos de aproximadamente 3 dB. El máximo nivel se obtiene con los controles totalmente hacia la derecha. En los procesadores de señales CinemAcoustics, estos controles deben colocarse en esa posición.

## (11) CONECTORES DE ENTRADA DE NORMA EUROPEA

Cada canal cuenta con conectores de entrada enchufables que cumplen con la popular norma europea. Las estradas están equilibradas electrónicamente; los terminales designados con el símbolo “+” corresponden a la señal positiva, y los terminales “-” a la señal negativa. El resto de los terminales son las conexiones de tierra (chasis). Si es posible, utilice siempre cables blindados de dos conductores para enviar señales al amplificador: un cable de par trenzado en los terminales “+” y “-” respectivos de cada canal y el blindaje en el polo de tierra. Al conectar el sistema a un Procesador de Cine CinemAcoustics, o a cualquier procesador de señales con salida equilibrada, conecte los terminales “+”, “-” y de tierra del amplificador de potencia a los respectivos terminales del procesador. Si el amplificador se conecta a un procesador de cine de salida única, utilice un cable blindado de dos conductores como en el caso anterior. En el extremo del procesador, conecte la entrada “+” del amplificador a la salida “+” luego conecte la entrada “-” del amplificador y su polo de blindaje a la tierra del procesador. El amplificador puede conectarse en una configuración no equilibrada utilizando cables blindados de un solo conductor; para ello, conecte un conductor simple a la entrada “+” de cada canal, y su blindaje tanto a la entrada “-” como a la tierra de ese canal. En el procesador debe realizarse una conexión similar. Vea al siguiente diagrama.



Entrada A se conecta en una configuración no equilibrada.  
 Entrada B conectada en una configuración equilibrada.

## INSTALACIÓN Y CONFIGURACIÓN

La serie de amplificadores de potencia CinemAcoustics se ha diseñado para asegurar la durabilidad y el alto rendimiento en salas de cine y teatro. Los amplificadores están enfriados internamente mediante un ventilador de dos velocidades, y pueden instalarse en bastidores de equipos EIA estándar de 19 pulgadas (483 mm). Todas las conexiones de entrada y salida, así como los controles de nivel, los conmutadores de selección y el disyuntor de línea, se encuentran en el panel posterior. El interruptor de encendido y los LED indicadores de encendido y activación de SPS están en el panel frontal. Los ventiladores de enfriamiento internos toman aire de la parte trasera de la unidad y expulsan aire caliente por el frente. Cuando la unidad se monta en un bastidor de varios equipos, debe disponer de un abastecimiento adecuado de aire frío. Debido al uso de un ventilador interno, no es necesario dejar espacio entre los amplificadores del grupo. Al encender la unidad, el ventilador funciona a velocidad baja y se mantiene en esas condiciones hasta que se alcanzan niveles continuos de operación a alta potencia. Según las condiciones de la señal y la carga del amplificador, puede mantenerse la operación a alta velocidad o pueden realizarse ciclos de alta y baja velocidad. El funcionamiento del ventilador en ciclos de velocidad durante el uso activo es normal. Los circuitos de sensado térmico del amplificador pueden apagarlo por varios motivos, tales como una disponibilidad de aire frío inadecuada, una reducción del flujo de aire por bloqueo de la toma o de la salida de aire, y alta sobrecarga o cortocircuito de las entradas. Si el produce el apagado transitorio de la unidad, el LED indicador de encendido se apaga. Según la condición de falla, el funcionamiento puede ser restaurado en forma relativamente rápida. En todos los casos, deben investigarse los motivos que causaron el apagado por exceso de temperatura. Si el amplificador no se encuentra altamente sobrecargado, si las salidas no están cortocircuitadas y si el flujo de aire de entrada y salida es normal, será necesario proporcionar un ambiente más frío para la operación del amplificador y de cualquier otro amplificador en el mismo gabinete de equipos. Como regla general, cuanto más frío funcione el equipo, tanto más larga será su vida en servicio.

## MODO DE PUENTE

**⚠** No se recomienda la operación en este modo en instalaciones en las que el amplificador se encuentre alejado del sistema de altavoces. Los amplificadores CA-A540 y CA-A800 están equipados con un conmutador que permite usar esta configuración, en caso de que la instalación así lo requiera. El modo de puente se obtiene colocando el conmutador de modo en la posición BRIDGE, y conectando el terminal positivo de la carga al terminal "+" del canal A y el terminal negativo al terminal "+" del canal B. Utilice el canal A como canal de entrada. En este modo, el canal B queda anulado. Para la operación en el modo de puente, se recomienda una impedancia de carga mínima de 8  $\Omega$ .

## **OPERACIÓN CON COMPRESIÓN SPS**

El sistema de compresión patentado de Peavey maximiza el rendimiento del amplificador porque impide que la señal se recorte, incluido al entregar máxima potencia. El sistema de compresión es activado por un circuito sumamente singular que detecta las condiciones de señal que podrían sobrecargar el amplificador y reduce la ganancia de corriente cuando el recorte es inminente. El umbral de compresión se encuentra cerca del punto de recorte, de modo que no hay compresión activa dentro de la gama dinámica normal de las señales de audio. Al prevenir el recorte, se reduce la posibilidad de que el sistema distorsione y ocurran daños a los altavoces. Para el uso normal en salas de cine y teatro, se recomienda colocar el conmutador de compresión SPS en la posición ENABLE (activada).



## ESPECIFICACIONES DE LOS AMPLIFICADORES CA-A540B™ y CA-A800B™

Características:	CA-A540B	CA-A800B
<b>Potencia de salida 1, 2, 3:</b> Modo de 2 canales (estereofónico) 4 Ω a 1 kHz, DAT 1 % 8 Ω a 1 kHz, DAT 1 %	450 Wef por canal 270 Wef por canal	700 Wef por canal 400 Wef por canal
<b>Modo de puente (monofónico)</b> 8 Ω a 1 kHz, DAT 1 %	900 Wef	1400 Wef
<b>Potencia de salida nominal 1, 2:</b> 4 Ω, 20 Hz a 20 kHz, DAT 0,15 % 8 Ω, 20 Hz a 20 kHz, DAT 0,1 %	400 Wef por canal 240 Wef por canal	625 Wef por canal 370 Wef por canal
<b>Velocidad de transición 3:</b> Modo estereofónico, cada canal Modo de puente, monofónico	20 V/μs 40 V/μs	20 V/μs 40 V/μs
<b>Distorsión armónica total (DAT) 2, 3:</b> 20 Hz a 20 kHz, salida a potencia nominal, 8 Ω	< 0,07 %	< 0,07 %
<b>Sensibilidad e impedancia de entrada 4:</b> A potencia nominal, 8 Ω Entradas equilibradas Ganancia total del sistema por canal	1,0 Vef, 0 dBV 6,8 kΩ por tramo 32,5 dB	1,4 Vef, +3 dBV 6,8k Ω por tramo 32,5 dB
<b>Respuesta de frecuencia 2, 3:</b> ±1 dB, 1 Wef., 8 Ω ±0,2 dB, potencia nominal, 8 Ω	10 Hz a 40 kHz 20 Hz a 20 kHz	10 Hz a 40 kHz 20 Hz a 20 kHz
<b>Factor de amortiguación 2, 3:</b> 8 Ω, 1 kHz	> 300	> 300
<b>Zumbido y ruido 1, 2:</b> Por debajo de la potencia nominal, 8 Ω	100 dB, sin ponderación	100 dB, sin ponderación
<b>Requisitos de alimentación 2:</b> A potencia nominal, 8 Ω	10,3 A para 100 VCA 8,6 A para 120 VCA VCA4,3 A para 220 VCA	15,2 A para 100 VCA 12,7 A para 120 6,4 A para 220 VCA
<b>Sistema de enfriamiento:</b>	Ventilador de 2 velocidades	Ventilador de 2 velocidades
<b>Sistema de compresión SPS:</b>	Conmutable, LED indicador	Conmutable, LED indicador
<b>Dimensiones y peso:</b>		
<b>Altura:</b>	13,3 cm	17,8 cm
<b>Ancho:</b>	48,3 cm	48,3 cm
<b>Profundidad:</b>	38,1 cm	38,1 cm
<b>Peso:</b>	20,5 kg	25,0 kg

### Notas:

- (1) Para 120 VCA, 60 Hz
- (2) Modo estereofónico, señal en ambos canales
- (3) Valor típico
- (4) Atenuador de entrada totalmente hacia la derecha

## INSTRUCCIONES DE SEGURIDAD IMPORTANTES

**ADVERTENCIA:** Al utilizar productos eléctricos se deben respetar las precauciones básicas, que incluyen las siguientes:

1. Lea estas instrucciones.
2. Conserve estas instrucciones.
3. Preste atención a todas las advertencias.
4. Respete todas las instrucciones.
5. No utilice este aparato cerca del agua. Por ejemplo, cerca o dentro de bañeras, piscinas, lavaderos, sótanos húmedos, etc.
6. Limpie el aparato solamente con un trapo húmedo.
7. No bloquee ninguna de las aberturas de ventilación. Instale el aparato de acuerdo con las instrucciones del fabricante. No debe ser colocado contra la pared sin separación o dentro de una cubierta que impida el flujo de aire de ventilación.
8. No instale el aparato cerca de fuentes de calor, tales como radiadores, registros de calefacción, estufas u otros aparatos que produzcan calor (incluso amplificadores).
9. No anule la función de seguridad de los enchufes de tipo polarizado o con toma de tierra. El enchufe de tipo polarizado tiene dos patas planas, una más ancha que la otra. El enchufe con toma de tierra tiene dos patas planas y un tercer terminal de toma de tierra. La pata más ancha o el tercer terminal se proporcionan para su seguridad. Cuando el enchufe provisto no sirve para su receptáculo de alimentación, consulte a un electricista para reemplazar el receptáculo obsoleto. No interrumpa nunca la toma de tierra. Escribanos y solicite nuestro folleto gratuito "Riesgo de descarga eléctrica y puesta a tierra". Conecte el aparato únicamente a una fuente de alimentación del tipo marcado en la unidad, cerca del cable de alimentación eléctrica.
10. Proteja el cable de alimentación para que no lo pise o estrangule, especialmente en los enchufes, tomacorrientes y en el punto de salida del aparato.
11. Utilice sólo aditamentos/accesorios provistos por el fabricante.
12. Utilice sólo carros, plataformas, trípodes, soportes o mesas especificadas por el fabricante o vendidas con el aparato. Cuando se utiliza un carro, sea precavido al mover la combinación carro/aparato, para evitar lesiones en caso de vuelcos.
13. Desenchufe este aparato durante tormentas eléctricas o mientras no se lo utilice durante períodos prolongados.
14. Confíe todas las reparaciones a personal técnico calificado. Se requiere servicio cuando el aparato ha sido dañado de alguna forma, como cuando se averían el cable de alimentación o el enchufe, se derraman líquidos o caen objetos dentro del aparato o el mismo se expuso a la lluvia o la humedad, no funciona normalmente o se lo dejó caer.
15. Si este producto se monta en un bastidor para equipos, se debe instalar un soporte posterior.
16. La exposición a niveles de ruido extremadamente altos puede provocar pérdidas auditivas permanentes. La susceptibilidad de los individuos a las pérdidas auditivas inducidas por ruido varía considerablemente, pero casi todos sufrirán alguna pérdida auditiva si se exponen a un nivel de ruido lo suficientemente intenso, durante un período suficiente. La Administración del Trabajo y la Salud del gobierno de los Estados Unidos (OSHA), ha especificado los siguientes niveles permitidos de exposición al ruido:

Duración diaria en horas	Nivel de sonido en dBa, respuesta lenta
8	90
6	92
4	95
3	97
2	100
1 1/2	102
1	105
1/2	110
1/4 o menos	115

Según la administración OSHA, toda exposición que exceda los límites permitidos indicados más arriba, puede producir alguna pérdida auditiva. Para evitar pérdidas auditivas permanentes, si la exposición excede los límites precedentes cuando se opera este equipo de sonido, se deben utilizar tapones o protectores de los canales auditivos o por sobre los oídos. Para asegurarse contra la exposición a niveles de presión sonora peligrosos, se recomienda que mientras esta unidad esté funcionando, todas las personas expuestas a equipos capaces de producir niveles de presión sonora altos como este sistema amplificador, estén protegidas mediante protectores auditivos.

**¡CONSERVE ESTAS INSTRUCCIONES!**

## CA-A540B™ et CA-A800B™

### Caractéristiques:

- Protection SPS™ avec indicateurs LED et interrupteur
- Slew Rate: 20 V/microsecond, mode stéréo
- Réponse en fréquence (chaque canal): 20 Hz à 20 kHz,  $\pm 0.2$  dB, à puissance nominale
- Distorsion harmonique totale: moins de 0.07%, à puissance nominale
- Bruit et souffle: 100 dB sous la puissance nominale

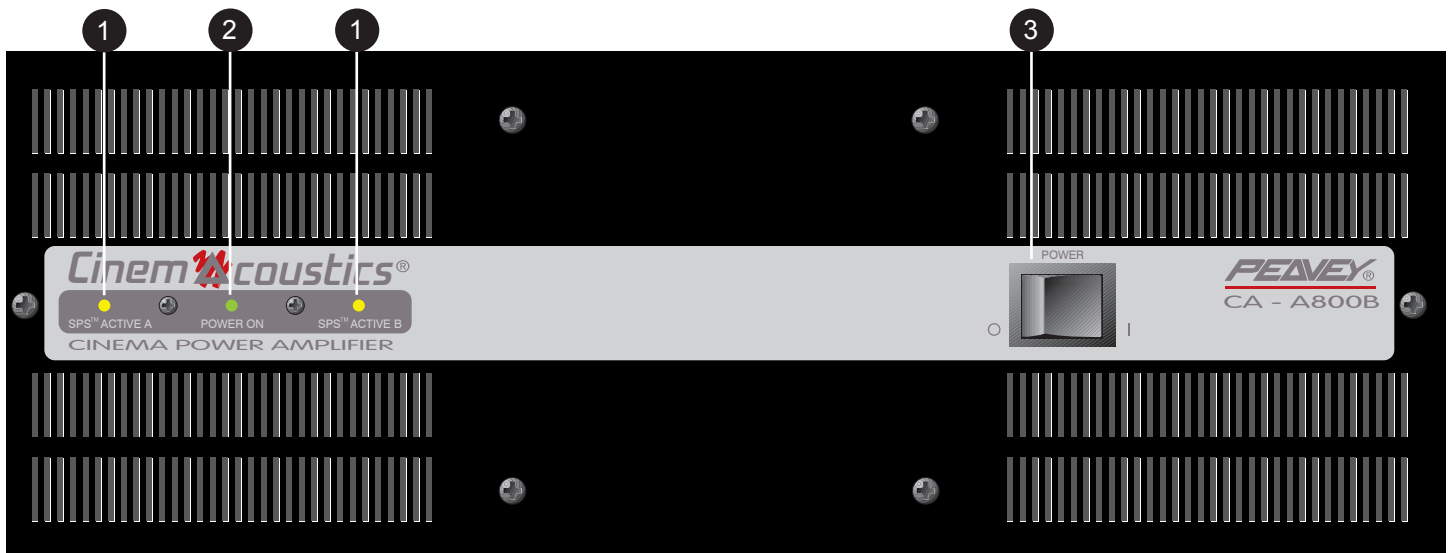
Nous vous félicitons pour l'acquisition de cet amplificateur de puissance Peavey CinemAcoustics™ spécialement conçu pour les théâtres et cinémas. Les amplificateurs de puissance Peavey CinemAcoustics™ CA-A540B™ et CA-A800B™ sont le résultats des derniers développements de la technologie, permettant à Peavey de proposer des amplificateurs à un prix raisonnable et ceci sans sacrifier les performances ou la durabilité des appareils.

Rien n'a été laissé au hasard lors du développement des amplificateurs CinemAcoustics CA-A540B et CA-A800B. L'alimentation est assurée par des transformateurs surdimensionnés d'un concept nouveau. L'étage de sortie utilise les dernières avancées en matière de semi-conducteurs et est équipé d'un système de refroidissement avec ventilateurs à deux vitesses assurant durabilité et fiabilité.

Chaque amplificateur est monté dans un châssis métallique pouvant être monté en rack. L'interrupteur d'alimentation est monté en façade, de même que la LED d'alimentation et celle d'indication d'activation de la protection SPS. Sur la face arrière sont placés un disjoncteur, les contrôles de volume des canaux, un bornier d'entrées et un bornier de sorties. Vous y trouverez de plus un sélecteur de mode Stéréo/Bridge et un interrupteur pour la protection SPS.

Ce manuel d'utilisation est destiné aux modèles d'amplificateurs de puissance CinemAcoustics CA-A540B et CA-A800B. Bien qu'ils possèdent des puissances de sortie différentes, leurs fonctionnalités sont identiques.

## FACE AVANT CA-A800B



### (1) LED D'ACTIVATION DE LA PROTECTION SPS

Ces indicateurs (un par canal) s'allument lorsque la protection SPS se met en action. Ils indiquent l'écrêtage lorsque l'interrupteur SPS est en position DEFEAT.

### (2) LED D'ALIMENTATION

Cette LED s'allume lorsque l'appareil est sous tension et que les deux canaux sont opérationnels. Elle s'éteindra si l'appareil n'est pas alimenté, si l'un des canaux est en faute ou si l'amplificateur a dépassé sa limite de température de fonctionnement.


### (3) INTERRUPTEUR D'ALIMENTATION

En position "O" l'amplificateur est hors tension. En position "I" l'amplificateur est sous tension.


## FACE ARRIERE CA-A800B



### (4) Connecteur IEC

Tous les amplificateurs de la série CinemAcoustics est équipé d'un connecteur IEC universel.  Un cordon de calibre #16 AWG 3 (section de 1,3 cm<sup>2</sup> minimum) équipé d'une connexion à la terre doit être utilisé. Il doit être connecté à une source de courant capable de fournir au moins 7 ampères. Ceci est particulièrement important pour les applications prolongées à haute puissance. Ne déconnectez jamais la connexion à la terre. Si le cordon fourni avec l'appareil est égaré ou endommagé, remplacez-le avec un cordon d'alimentation possédant les mêmes spécifications (mêmes connecteurs, même ampérage). L'utilisation d'une rallonge n'est pas recommandée mais si elle est impérative, la rallonge doit posséder les mêmes caractéristiques que le cordon d'alimentation. L'utilisation d'un câble aux propriétés inférieures diminuera nettement les performances de l'amplificateur. Pour votre sécurité, assurez-vous que l'amplificateur est toujours connecté à la terre.


### (5) DISJONCTEUR

 Ce disjoncteur assure la protection de l'appareil. Le courant de déclenchement a été très précisément choisi pour assurer un fonctionnement continu à puissance nominale tout en assurant une protection adéquate. Dans des circonstances normales, le disjoncteur ne sautera pas à moins qu'un courant important ne traverse l'alimentation. En cas de court-circuit en sortie de l'amplificateur ou si il est utilisé de manière prolongée dans des conditions d'écrêtage, le disjoncteur sautera. Corrigez la faute ayant entraîné le déclenchement du disjoncteur avant de le réarmer. Lorsqu'il a sauté, son bouton ressort d'environ 1 cm et il suffit d'appuyer dessus après avoir éteint l'appareil pour le réarmer. Si le disjoncteur saute continuellement, apportez l'appareil à un réparateur qualifié.

### (6) SORTIE MONITOR

Ce connecteur standard Quick-Connect™ RJ11 fournit les signaux des canaux A et B aux moniteurs Peavey tel les CA-M400. Reportez-vous au diagramme situé au dessus du connecteur pour connaître sa polarité (+ correspond à la sortie positive du canal).

### (7) BRONIER DE SORTIE DE L'AMPLIFICATEUR

 Les sorties pour haut-parleurs sont accessibles grâce à ce bornier quatre vis. Les bornes marquées "+" sont les sorties de l'amplificateur de chaque canal. Les bornes restantes sont

reliées à la masse (masse du châssis). L'impédance minimum recommandée en sortie de l'amplificateur est de 4 Ohm par canal ou 8 Ohm en mode Bridge. L'utilisation de l'amplificateur avec des charges inférieures peut entraîner l'arrêt momentané de l'appareil.

### (8) INTERRUPTEUR SPS

Ce sélecteur permet d'activer la protection SPS. Le sélecteur de la protection SPS devrait toujours être en position ENABLE pour éviter tout écrêtage de l'amplificateur. En position DEFEAT, une surcharge importante peut entraîner le déclenchement du disjoncteur ou peut causer des dommages aux haut-parleurs.

### (9) SELECTEUR DE MODE

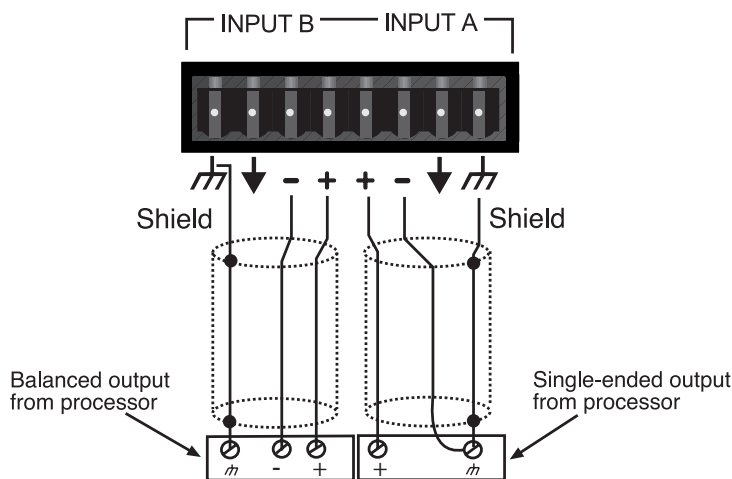
Ce sélecteur permet de déterminer le mode de fonctionnement de l'amplificateur STEREO ou BRIDGE. Faites attention lors de la sélection du mode BRIDGE. Une sélection accidentelle du mode BRIDGE peut endommager vos haut-parleurs. **NOTE:** Peavey ne recommande pas l'utilisation du mode BRIDGE pour les applications standards en salle.

### (10) NIVEAU D'ENTRÉE

Les contrôles d'entrée sont gradués par incréments de 3 dB pour permettre un ajustement aisé du gain. Le gain d'entrée maximum est obtenu lorsque le contrôle est à fond dans le sens horaire. Lors d'une utilisation avec un processeur CinemAcoustics, ces contrôles doivent être réglés pour un gain maximum.

### (11) ENTREES CONNECTEUR EURO

Les entrées sont symétrisées électroniquement, les bornes "+" étant les entrées positives de l'amplificateur et les bornes "-" étant les entrées négatives. Les bornes restantes constituent les connexions à la masse (châssis). Utilisez autant que possible des câbles deux conducteurs blindés; connectez les fils torsadés aux bornes "+" et "-" de l'amplificateur, et connectez le blindage du câble à la masse. Lors de la connexion à un processeur CinemAcoustics Cinema ou à tout processeur possédant des sorties symétriques, connectez respectivement les entrées "+", "-", et la masse de l'amplificateur de puissance aux sorties "+", "-", et à la masse du processeur. Si votre processeur Cinéma ne possède que des sorties asymétriques, connectez respectivement sa sortie et sa masse à la borne "+" et la masse de l'amplificateur. La borne "-" devra être reliée à la masse de l'amplificateur que vous utilisiez un câble à deux conducteurs ou un câble à conducteur unique.




Input A is wired in an unbalanced configuration.  
Input B is wired in a balanced configuration.

## INSTALLATION ET REGLAGE

Les amplificateurs de la série CinemAcoustics sont conçus pour fournir les performances et la qualité sonore exigées pour des utilisations en théâtre ou cinéma. Ils sont refroidis par deux ventilateurs à deux vitesses. Ces unités sont aux dimensions rack standard. Toutes les connexions d'entrée et de sortie se trouvent sur le panneau arrière, ainsi que les contrôles de réglage des niveaux, les commutateurs de sélection de mode et le disjoncteur réarmable. Le panneau avant comporte les LEDs témoin d'alimentation et d'activation de la compression SPS et le commutateur marche-arrêt. Il n'est pas nécessaire de ménager un espace entre les amplificateurs de la pile car les ventilateurs absorbent l'air extérieur par l'arrière, et le rejettent par le devant. Toutefois, une source d'air FRAIS doit être fournie à l'amplificateur s'il est monté en rack. Les ventilateurs internes nécessitent une source d'air non réchauffé par le reste de l'installation. L'amplificateur démarre toujours avec le ventilateur en vitesse basse, c'est à dire à la vitesse d'exploitation normale. Elle ne change que si l'amplificateur est utilisé à des niveaux élevés d'une manière continue. En cas d'augmentation de température des radiateurs internes, les circuits automatiques de détection thermique déclenchent la vitesse élevée du ventilateur. Selon la nature du signal et la charge de l'amplificateur, le ventilateur peut continuer à fonctionner à haute vitesse ou alterner entre les deux états. Ceci est normal. Si le refroidissement est inadéquat (air réchauffé, réduction du flux d'air causée par une obstruction des orifices d'entrée et de sortie de l'amplificateur, surcharge ou court-circuit en sortie de l'appareil), le système de détection thermique peut provoquer un arrêt temporaire de l'amplificateur. Dans ce cas, la DEL d'alimentation située sur le panneau avant s'éteint. Selon la quantité d'air frais disponible, l'amplificateur devrait redevenir opérationnel relativement rapidement et sa DEL s'illuminera de nouveau. Il est cependant recommandé de rechercher la cause de l'arrêt thermique de l'appareil et d'y remédier. Si aucun court-circuit ou aucune surcharge n'est diagnostiquée et que l'air entre et sort normalement de l'amplificateur, il convient de prendre les dispositions nécessaires pour assurer à tous les amplificateurs utilisés un environnement plus frais. En règle générale, plus le matériel dispose d'air frais, plus sa durée de vie sera longue.

## BRIDGE MODE

 Le mode BRIDGE n'est pas recommandé lorsque l'amplificateur est situé à une distance non négligeable des enceintes acoustiques. Les amplificateurs CA-A540 et CA-A800 sont équipés d'un sélecteur de mode permettant une configuration BRIDGE si nécessaire. Pour cela, placez le sélecteur en position "BRIDGE", connectez les haut-parleurs aux bornes "+" des deux canaux et utilisez les contrôles et l'entrée du canal A. Le canal B est désactivé dans ce mode. La charge minimum totale en mode Bridge est de 8 Ohm.

## FONCTIONNEMENT DU SYSTEME SPS

Le système de protection breveté SPS maximise les performances de l'amplificateur en minimisant les risques d'écrêtage lors des utilisations à puissance maximale. Ce circuit unique analyse le signal en sortie et diminue le gain de l'amplificateur lorsque la limite d'écrêtage du signal est bientôt atteinte. Ainsi, aucune compression n'a lieu dans la marge dynamique normale de l'amplificateur. Les risques de distorsion du signal et de dommages causés aux haut-parleurs sont par ailleurs grandement diminués. Il est recommandé de toujours mettre l'interrupteur SPS en position ENABLE lors d'une utilisation normale.

## CA-A540B™ and CA-A800B™ SPECIFICATIONS

Characteristics:	CA-A540B	CA-A800B
<b>Output Power 1, 2, 3:</b> 2 Channel Mode, Stereo 4 ohms, 1 kHz at 1% THD 8 ohms, 1 kHz at 1% THD	450 W RMS per channel 270 W RMS per channel	700 W RMS per channel 400 W RMS per channel
<b>Bridge Mode, Mono</b> 8 ohms, 1 kHz at 1% THD	900 W RMS	1400 W RMS
<b>Rated Output Power 1, 2:</b> 4 ohms, 20 Hz to 20 kHz, 0.15% THD 8 ohms, 20 Hz to 20 kHz, 0.1% THD	400 W RMS per chan 240 W RMS per chan	625 W RMS per channel 370 W RMS per channel
<b>Slew Rate 3:</b> Stereo Mode, each channel Bridge Mode, mono	20 volts per uSec. 40 volts per uSec.	20 volts per uSec. 40 volts per uSec.
<b>Total Harmonic Distortion 2, 3:</b> 20 Hz to 20 kHz at rated output, 8 ohms	Less than 0.07%	Less than 0.07%
<b>Input Sensitivity and Impedance 4:</b> At rated output power, 8 ohms Balanced inputs Overall system gain per channel	1.0 V RMS, 0 dBV 6.8k ohms per leg 32.5 dB	1.4 V RMS, +3 dBV 6.8k ohms per leg 32.5 dB
<b>Frequency Response 2, 3:</b> ±1dB, 1 W RMS, 8 ohms ±0.2 dB, at rated output, 8 ohms	10 Hz to 40 kHz 20 Hz to 20 kHz	10 Hz to 40 kHz 20 Hz to 20 kHz
<b>Damping Factor 2, 3:</b> 8 ohms, 1 kHz	Greater than 300	Greater than 300
<b>Hum and Noise 1, 2:</b> Below rated output power, 8 ohms	100 dB, unweighted	100 dB, unweighted
<b>Power Consumption 2:</b> At rated output power, 8 ohms	10.3 A at 100 VAC 8.6 A at 120 VAC 4.3 A at 220 VAC	15.2 A at 100 VAC 12.7 A at 120 VAC 6.4 A at 220 VAC
<b>Cooling System:</b>	Two-speed fan	Two-speed fan
<b>SPS Compression System:</b>	Switchable with LED	Switchable with LED
<b>Dimensions and Weight:</b>		
<b>Height:</b>	5.25" (13.3 cm)	7" (17.8 cm)
<b>Width:</b>	19" (48.3 cm)	19" (48.3 cm)
<b>Depth:</b>	15" (38.1 cm)	15" (38.1 cm)
<b>Weight:</b>	45 lbs. (20.5 kg)	55 lbs. (25.0 kg)

**Notes:**

(1) @ 120 VAC, 60 Hz (2) Stereo mode, both channels driven (3) Typical value (4) Input attenuator set FCW



## NOTE IMPORTANTE CONCERNANT LA SECURITE

**ATTENTION:** Lors de l'utilisation de appareils électriques, certaines mesures de sécurité doivent être respectées:

1. Lisez toutes les instructions.
2. Conservez ces instructions.
3. Tenez compte de tous les avertissements.
4. Suivez précisément les instructions.
5. N'utilisez pas l'appareil à proximité de l'eau. Par exemple près d'un bain, d'une piscine, d'un évier, ou dans un sous-sol humide.
6. Nettoyez avec un chiffon sec uniquement.
7. N'obstruez aucune des ventilations. Installez l'appareil selon les instructions du constructeur. Ne placez pas l'appareil contre un mur ou dans une enceinte empêchant la libre circulation de l'air.
8. Ne placez pas l'appareil près d'une source de chaleur telle un radiateur, four, cuisinière ou tout autre appareil (amplificateur inclus) produisant de la chaleur.
9. Ne déconnectez pas la prise de terre. Cette connexion doit être réalisée pour votre sécurité. Si le connecteur d'alimentation ne correspond pas à votre prise secteur, consultez un électricien qualifié. Connectez l'appareil à une source de courant correspondant aux spécifications inscrites sur l'appareil près du cordon d'alimentation ou de la prise IEC.
10. Protégez le cordon d'alimentation contre tout dommage, principalement près de la prise ou près de sa connexion avec l'appareil.
11. N'utilisez que des accessoires ou extensions fournis par le constructeur.
12. Utilisez uniquement un stand, trépied, crochet ou support spécifié par le constructeur ou vendu avec l'appareil.
13. Débranchez l'appareil en cas d'orage ou lors d'une non-utilisation prolongée.
14. Faites réaliser toutes réparations par un personnel qualifié. Une réparation doit être effectuée quelque soient les dommages subis par l'appareil (cordon d'alimentation abîmé, intrusion de liquide ou d'un quelconque objet dans l'appareil, exposition aux moisissures ou à la pluie, fonctionnement anormal de l'appareil).
15. Si l'appareil est monté dans un rack, l'arrière doit être supporté correctement.
16. L'exposition à des niveaux de bruit élevés peut provoquer la perte de l'ouïe. La réaction de chaque individu est différente vis-à-vis de la perte de l'ouïe induite par le bruit, mais chacun est susceptible de perdre une partie de ses capacités d'audition si exposé à un niveau de bruit élevé pendant un temps suffisant. Le Ministère de la Santé Américain (OSHA) spécifie les durées d'exposition à divers niveaux de bruit comme suit:

Durée par jour en heure	Niveau de pression acoustique dBA
8	90
6	92
4	95
3	97
2	100
1 1/2	102
1	105
1/2	110
1/4 ou moins	115

Une exposition plus longue à ces niveaux de pression acoustique peut provoquer une perte certaine de l'audition. Des bouchons d'oreille, filtres ou casques anti-bruit doivent être utilisés afin de protéger l'ouïe lors d'une exposition dépassant ces normes. Il est conseillé d'utiliser l'une de ces protections lors de l'utilisation d'un système d'amplification à haut niveau de pression acoustique.

**CONSERVEZ CES INSTRUCTIONS!**

## CA-A540B™ und CA-A800B™

### Features

- SPS™ Kompression mit LED Anzeige (schaltbar)
- Slew Rate: 20 V / microsecond, Stereo Modus
- Frequenz Gang (je Kanal): 20 Hz bis 20 kHz,  $\pm 0.2$  dB (at rated power)
- Verzerrung: weniger als 0.07% (at rated power)
- Rauschabstand: 100 dB (below rated power, unweighted)

Herzlichen Glückwunsch! Sie haben einen Peavey CinemAcoustics™ Power Amp erworben der speziell für den Theater und Kino Markt entwickelt wurde. Die Peavey CinemAcoustics Verstärker, Modell CA-A540B™ und CA-A800B™, sind mit der neuesten Technik im Bereich der Beschallungselektronik ausgestattet. Dies erlaubt uns Ihnen einen Verstärker zu präsentieren, der im Preis/Leistungsverhältnis, Performance und Verlässlichkeit seines Gleichen sucht.

Bei der Entwicklung des CinemAcoustics CA-A540B / CA-A800B Verstärkers haben die Peavey Ingenieure jeden Stein umgedreht, um auch noch die letzte Möglichkeit zur Qualitätssteigerung und Kostensenkung zu finden. Die Verstärker verfügen über große Netzteile mit genügend Leistung damit man nicht gleich wieder an die Grenzen stößt. Desweiteren ist ein 2-Geschwindigkeiten-Lüfter für die Luftumwälzung über den Kühlrippen eingebaut. Dadurch behält der Verstärker einen "kühlen Kopf" und ist somit ausreichend vor Überhitzung geschützt.

Jeder Verstärker ist für einen Einbau in ein 19" Rack vorbereitet. Auf der Vorderseite sind der Ein-Aus Schalter, die Power-On-LED sowie die beiden SPS LEDs zur Anzeige des einsetzenden Kompressors/Limiters angebracht. Auf der Rückseite ist der Schaltschalter, die Input-Gain-Regelung und die Output-Anschlüsse zu finden. Zusätzlich sind hier die Schalter für Stereo-Bridge Mode und SPS Abschaltung.

Diese Bedienungsanleitung ist für beide CinemAcoustics (CA-A540B und CA-A800B) geschrieben. Der einzige Unterschied der Verstärker sind die Leistungsangaben, die Bedienung ist bei beiden Verstärkern dieselbe.

## FRONTANSICHT CA-A800B



### (1) SPS KOMPRESSOR/LIMITER LED

Diese LEDs zeigen an jedem Kanal das Einsetzen des SPS KOMPRESSOR/LIMITERS an. Sie werden zu CLIP Anzeigen, wenn der SPS Schalter auf der Rückseite des Gerätes in der DEFEAT Position steht.

### (2) POWER LED

Zeigt die Betriebsbereitschaft des Verstärkers an. Wenn sie nicht mehr leuchtet, liegt entweder kein Strom an, das Gerät ist abgeschaltet, ein Kanal läuft fehlerhaft oder der Verstärker wurde trotz Kühlung überhitzt.

### (3) POWER SCHALTER


Versteht sich von selbst. "O" Position Aus - "I" Position Ein.

## RÜCKSEITE CA-A800B




### (4) NETZANSCHLUSS

Die CinemAcoustics Serie verfügt über einen konventionellen 3-Pol-Netzanschluß (120V Version). Bei den 100V und 220V Versionen (220V = Deutschland) ist das Netzkabel fest mit dem Gerät verbunden. Bitte nehmen Sie zur Kenntnis, daß bei der 220V Version des Verstärkers etwa 7.5 A bei Vollast anliegen. Die Benutzung von Verlängerungskabeln sollte vermieden werden.

 Der Masseanschluß dient Ihrem Schutze und sollte auf keinen Fall unterbrochen werden.


### (5) CIRCUIT BREAKER / RESET

 Dieser Schalter ist zum Schutz des Verstärkers gedacht. Unter normalen Bedingungen löst der Schalter sich nicht aus. Aber wie immer gibt es auch Ausnahmen, die diesem Schalter erst den Sinn geben. Wenn das Gerät zu Heiß wird, weil z.B. nicht genügend Platz zum Luftaustausch vorhanden ist, oder weil das Gerät auf einem oder beiden Kanälen zu clippen beginnt, schaltet die Schutzschaltung den Verstärker ab. Die Taste der Schutzvorrichtung kommt um etwa 1 cm aus dem Gehäuse heraus. Nachdem Sie den Fehler gefunden haben und dem Gerät eine kurze Zeit zur Abkühlung gegeben haben, drücken Sie den Stift wieder hinein. Wenn der Schalter immer wieder heraus springt, liegt ein größerer Fehler vor und der Verstärker muß von einem unserer Service Werkstätten geprüft werden.

### (6) OUTPUT MONITOR

Dieser Standard Quick-Connect™ RJ11 Anschluß gibt das Signal von Kanal A und B zu einem der Monitorsysteme von Peavey wie dem CA-M400. Der Anschluß ist mit der Pinbelegung exakt gekennzeichnet.

### (7) SPEAKER OUTPUTS ANSCHLUßPANEL

 Die vier Anschlußklemmen stellen die SPEAKER OUTPUTS für jeden Kanal dar. Der mit "+" gekennzeichnete Anschluß ist der Verstärkerausgang pro Kanal, "-" (Chassis) ist der "Ground" anschluß. Die Mindestimpedanz beträgt 4 Ohm / Kanal oder 8 Ohm im Bridge Mode. Eine Unterschreitung der Impedanz kann eine vorübergehende Abschaltung des Verstärkers zur Folge haben.

## (8) SPS SCHALTER

Mit diesem Schalter wird der SPS Kompressor/Limiter ein- bzw. ausgeschaltet. Der Schalter sollte normaler Weise immer auf ENABLE Position stehen, um den Verstärker zu schützen. Eine Abschaltung der SPS Funktion kann bei Überlast oder clipping zur Abschaltung durch den Circuit Breaker (5) kommen.

## (9) MODE SCHALTER

Hiermit schaltet man zwischen dem Stereo und Bridge Mode (Mono) um. Dem Bridge Mode sollte größte Aufmerksamkeit gewidmet werden. Es kann gerade in BIAMPED Systemen zu Problemen kommen, die die Zerstörung der Lautsprecher zur Folge haben können.

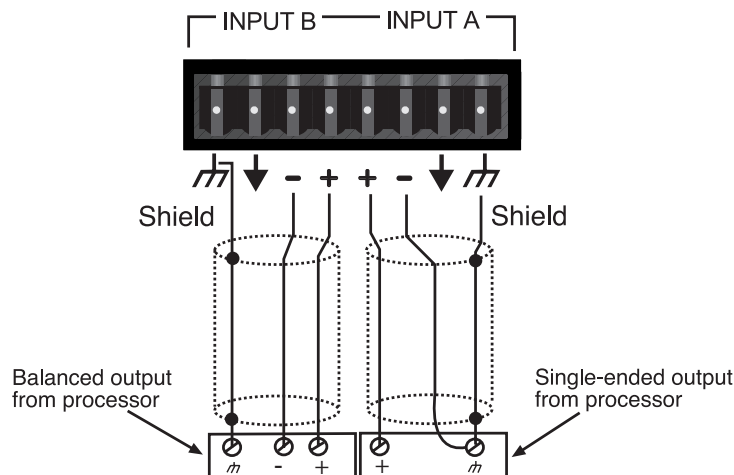
**ANMERKUNG:** Peavey empfiehlt den BRIDGE Mode nicht in Theatern oder Kinos zu verwenden.

## (10) INPUT LEVEL

Hiermit justiert man die Eingangsempfindlichkeit (3dB). Bei Benutzung mit CinemAcoustics Signal Prozessoren sollten die Regler auf Anschlag im Uhrzeigersinn stehen.

## (11) EURO INPUTS

Diese Euro Anschlüsse sind elektronisch symmetriert. "+" ist der positive, "-" der negative Pol und "π" (Masse) die Abschirmung (Chassis). Verwenden Sie, wenn möglich, immer 2 adrige Kabel. Ader 1 "+", Ader 2 "-" und Abschirmung für den Groundanschluß. Dieselbe Belegung erfolgt auch bei der Ausgangsquelle, dem Cinema Processor. Sollte der Cinema Processor über nur einen Anschluß verfügen mit "+" und "-" sollten Sie dennoch ein 2 adriges Kabel + Schirmung verwenden. Die Verbindung sieht dann folgender Maßen aus: Verstärker = "+" Prozessor = "+", Verstärker = "-" Prozessor = "-", Verstärker = "π" Prozessor = "-". Man kann auch einadrige Kabel verwenden (wird nicht empfohlen), hierbei wird die Abschirmung als "-" und "π" benutzt. Ebenso bei dem Prozessor.




Input A ist asymmetrisch angeschlossen.  
Input B ist symmetrisch angeschlossen.

## INSTALLATION UND SETUP

Die CinemAcoustics Verstärkerserie wurde speziell für Theater und Kino Anwendungen entwickelt. Sie werden durch einen Lüfter mit 2 Geschwindigkeiten gekühlt und passen in jedes Standart 19" Rack. Wenn das Gerät in ein Rack eingebaut ist, muß darauf geachtet werden, daß genügend Luftaustausch von der Rückseite des Gerätes her möglich ist. Der Lüfter sugt die Luft von hinten an und drückt sie nach vorne heraus. Die erste Geschwindigkeit des Lüfters beginnt bei Einschalten des Gerätes und bleibt bis der Verstärker näher an seine Leistungsgrenze gerät. Wenn mehr Ausgangsleistung gewünscht wird, schaltet der Lüfter automatisch um auf die 2. Geschwindigkeit. Es ist also durchaus möglich, daß der Lüfter zwischen den beiden Geschwindigkeiten hin und her

schaltet. Dies ist normal und bedarf keiner Überprüfung. Es kann auch sein, daß der Verstärker sich abschaltet. Dies ist der Fall wenn nicht genügend frische Luft angesaugt werden kann oder die Ventilation zur Vorderseite behindert wird. In diesem Fall geht die POWER LED auf der Vorderseite des Gerätes aus. Eine Überprüfung der örtlichen Begebenheiten in Bezug auf Luftzufuhr und Kühlung sollte unbedingt stattfinden, wenn sich das Gerät mehrmals auf Grund von Überhitzung abschaltet. Generell gilt: Je kühler das Gerät, desto länger die Dauer der Leistungsfähigkeit.

### **BRIDGE MODE**

 Wie erwähnt ist der BRIDGE MODE nicht empfehlenswert für Installationen, wo der Verstärker in großem Abstand zu den Lautsprechern steht. Die CA-A540 und CA-A800 Verstärker sind dennoch mit einem Schalter versehen, der es erlaubt, den BRIDGE MODE zu benutzen. Der Anschluß wird über die beiden "+" Pole der Outputs vorgenommen, Input ist Kanal A. Kanal B wird automatisch abgeschaltet. Die Impedanz muß mindestens 8 Ohm betragen.

### **SPS OPERATION**

Peavey's patentierter SPS Kompressor / Limiter schützt das System vor clipping unter Vollast. Diese Schaltung erkennt Signalspitzen bevor Sie den Verstärker übersteuern und schwächt sie ab. Bei normalem Betrieb bleibt die Schaltung abgeschaltet. Bei der "normalen" Installation in Kinos und Theatern wird empfohlen, daß die Schaltung auf ENABLE steht.

## CA-A540B™ and CA-A800B™ SPECIFICATIONS

Characteristics:	CA-A540B	CA-A800B
<b>Output Power 1, 2, 3:</b> 2 Channel Mode, Stereo 4 ohms, 1 kHz at 1% THD 8 ohms, 1 kHz at 1% THD	450 W RMS per channel 270 W RMS per channel	700 W RMS per channel 400 W RMS per channel
<b>Bridge Mode, Mono</b> 8 ohms, 1 kHz at 1% THD	900 W RMS	1400 W RMS
<b>Rated Output Power 1, 2:</b> 4 ohms, 20 Hz to 20 kHz, 0.15% THD 8 ohms, 20 Hz to 20 kHz, 0.1% THD	400 W RMS per chan 240 W RMS per chan	625 W RMS per channel 370 W RMS per channel
<b>Slew Rate 3:</b> Stereo Mode, each channel Bridge Mode, mono	20 volts per uSec. 40 volts per uSec.	20 volts per uSec. 40 volts per uSec.
<b>Total Harmonic Distortion 2, 3:</b> 20 Hz to 20 kHz at rated output, 8 ohms	Less than 0.07%	Less than 0.07%
<b>Input Sensitivity and Impedance 4:</b> At rated output power, 8 ohms Balanced inputs Overall system gain per channel	1.0 V RMS, 0 dBV 6.8k ohms per leg 32.5 dB	1.4 V RMS, +3 dBV 6.8k ohms per leg 32.5 dB
<b>Frequency Response 2, 3:</b> ±1dB, 1 W RMS, 8 ohms ±0.2 dB, at rated output, 8 ohms	10 Hz to 40 kHz 20 Hz to 20 kHz	10 Hz to 40 kHz 20 Hz to 20 kHz
<b>Damping Factor 2, 3:</b> 8 ohms, 1 kHz	Greater than 300	Greater than 300
<b>Hum and Noise 1, 2:</b> Below rated output power, 8 ohms	100 dB, unweighted	100 dB, unweighted
<b>Power Consumption 2:</b> At rated output power, 8 ohms	10.3 A at 100 VAC 8.6 A at 120 VAC 4.3 A at 220 VAC	15.2 A at 100 VAC 12.7 A at 120 VAC 6.4 A at 220 VAC
<b>Cooling System:</b>	Two-speed fan	Two-speed fan
<b>SPS Compression System:</b>	Switchable with LED	Switchable with LED
<b>Dimensions and Weight:</b>		
<b>Height:</b>	5.25" (13.3 cm)	7" (17.8 cm)
<b>Width:</b>	19" (48.3 cm)	19" (48.3 cm)
<b>Depth:</b>	15" (38.1 cm)	15" (38.1 cm)
<b>Weight:</b>	45 lbs. (20.5 kg)	55 lbs. (25.0 kg)

**Notes:**

(1) @ 120 VAC, 60 Hz (2) Stereo mode, both channels driven (3) Typical value (4) Input attenuator set FCW

## WICHTIGE SICHERHEITSRICHTLINIEN

**WARNUNG:** Beim Einsatz elektrischer Geräte sollten stets nachfolgend genannte grundlegende Sicherheitsrichtlinien beachtet werden:

1. Lesen Sie diese Richtlinien.
2. Bewahren Sie diese Richtlinien stets griffbereit auf.
3. Beachten Sie sämtliche Richtlinien.
4. Befolgen Sie alle Anweisungen.
5. Benutzen Sie das Gerät nicht in unmittelbarer Wassernähe (z. B. Badewanne, Waschbecken, Swimming-Pool, etc.).
6. Nur mit einem feuchten oder klammen Tuch reinigen.
7. Keine der Lüftungsschlitze blockieren. Führen Sie die Installation in Übereinstimmung mit den Herstelleranweisungen durch. Nicht flach gegen eine Wand aufstellen oder in einem geschlossenen Gehäuse unterbringen in dem die Frischluftzufuhr blockiert oder behindert wird.
8. Nicht in der Nähe von Hitzequellen wie z. B. Radiatoren, Heizlüfter, Öfen oder sonstigen Apparaten (inkl. Verstärker) aufstellen.
9. Beeinträchtigen Sie nicht den Sicherheitszweck eines polarisierten oder Schuko-Steckers (Schutzkontaktstecker). Ein polarisierter Stecker verfügt über zwei flache Kontaktstifte, einer breiter wie der andere. Ein Schuko-Stecker verfügt dagegen über zwei runde Kontaktstifte und einem separaten Schutzkontakt. Der breite Kontaktstift oder der separate Schutzkontakt dient Ihrem persönlichen Schutz. Passt der vorhandene Stecker nicht in Ihrer Steckdose, lassen Sie diesen von einer Elektrofachkraft ersetzen bzw. austauschen. Brechen Sie niemals den Schutzkontakt am mitgelieferten Netzkabel ab. Benötigen Sie weitere Infos zum Thema „ERDUNG“, dann fordern Sie unser kostenloses Heft „Stromschlaggefahr und Erdung“ an. Achten Sie bei der Spannungsversorgung darauf, daß die Gerätespannung mit der örtlichen Netzspannung übereinstimmt.
10. Schützen Sie das Netzkabel vor mechanischen Einwirkungen, insbesondere am Stecker und Geräteauslaß.
11. Verwenden Sie nur vom Hersteller zur Verfügung stehendes Bestigungsmaterial/Zubehör.
12. Nur in Verbindung mit einem vom Hersteller oder dem Apparat verkauften Hand-/Rollwagen, Ständer, Stativ, Träger oder Tisch benutzen. Achten Sie beim Bewegen der Handwagen/Apparate Kombination darauf, daß diese keine Verletzung hervorruft oder aber umkippt.
13. Trennen Sie das Gerät vom Stromnetz während eines Gewitters oder aber wenn es über längere Zeit unbenutzt bleibt.
14. Überlassen Sie sämtliche Wartungsarbeiten qualifiziertem Fachpersonal. Wartungsarbeiten werden erforderlich, sobald das Gerät in irgend einer Weise zu Schaden gekommen ist, wie wenn z.B. das Netzkabel beschädigt ist, Flüssigkeit ins Gehäuse gelaufen ist, das Gerät Regen oder Feuchtigkeit ausgesetzt wurde, keine normale Bedienung mehr möglich ist oder das Gerät gestürzt ist.
15. Bei der Rackmontage ist darauf zu achten, daß die Geräterückseite gut zugänglich bleibt.
16. Extrem hohe Lautstärkepegel beeinträchtigen das Hörvermögen und können zum permanenten Verlust desselben führen. Die Anfälligkeit variiert von Person zu Person. Unter den oben genannten Umständen und entsprechender Zeit leidet jedoch annähernd jeder unter Hörverlust. Die Arbeitssicherheits- und Gesundheitsbehörde der US-Regierung hat folgende erlaubte Lautstärkepegel festgelegt:

Dauer pro Tag in Stunden	Lautstärkepegel in dBA
8	90
6	92
4	95
3	97
2	100
1 1/2	102
1	105
1/2	110
1/4 oder weniger	115

Gemäß OSHA, führt jede exzessive Lautstärkeaussetzung über den erlaubten Grenzen bereits zu geringem Hörverlust.

Um dauerhafte Gehörschäden zu vermeiden, die durch über dem erlaubten Pegel liegende exzessive Lautstärken verursacht werden, müssen Ohrstöpsel oder Ohrschützer getragen werden. Um der Aussetzung potentiell gefährlicher Lautstärkepegel aus dem Wege zu gehen wird empfohlen, daß alle Personen die solchen Geräten ausgesetzt sind, die in der Lage sind solche hohen Lautstärkepegel zu erzeugen (wie z.B. dieses Verstärkersystem) sich durch Gehörstöpsel, Kapselgehörschützer oder Bügelgehörschützer zu schützen.

**BEWAHREN SIE DIESE RICHTLINIEN IMMER GRIFFBEREIT AUF!**



**NOTES:**

A series of horizontal dashed lines for writing notes.

**NOTES:**

A series of horizontal dashed lines for writing notes.

# C i n e m A c o u s t i c s <sup>TM</sup> D i v i s i o n

## PEAVEY ELECTRONICS CORPORATION LIMITED WARRANTY

Effective Date: November 1, 1998

### What This Warranty Covers

Your Peavey CinemAcoustics Warranty covers defects in material and workmanship in CinemAcoustics products purchased and serviced in the U.S.A. and Canada.

### What This Warranty Does Not Cover

The Warranty does not cover: (1) damage caused by accident, misuse, abuse, improper installation or operation, rental, product modification or neglect; (2) damage occurring during shipment; (3) damage caused by repair or service performed by persons not authorized by Peavey; (4) products on which the serial number has been altered, defaced or removed; (5) products not purchased from an Authorized CinemAcoustics Dealer.

### Who This Warranty Protects

This Warranty protects only the original retail purchaser/end user of the product.

### How Long This Warranty Lasts

The Warranty begins on the date of shipment to the CinemAcoustics Dealer. The duration of the Warranty is as follows:

Product Category	Duration
<b>Cinema Processors, Monitors, Power Amplifiers, Electronic Crossovers, Loudspeakers and MediaMatrix<sup>®</sup> CPU (excluding frames)</b> .....	<b>5 years</b>
<b>Replacement Speaker Components (including speakers, baskets, drivers, diaphragm replacement kits and passive crossovers) purchased as individual components and all Accessories</b> .....	<b>1 year</b>

### What Peavey Will Do

We will repair or replace (at Peavey's discretion) products covered by warranty at no charge for labor or materials. If the product or component must be shipped to Peavey for warranty service, the consumer must pay initial shipping charges. If the repairs are covered by warranty, Peavey will pay the return shipping charges.

### How To Get Warranty Service

(1) Take the defective item to your Authorized CinemAcoustics Dealer or Authorized Peavey Service Center.

OR

(2) Ship the defective item, prepaid, to Peavey Electronics Corporation, International Service Center, 412 Highway 11 and 80 East, Meridian, MS 39301. Include a detailed description of the problem and provide a complete return address.

### Limitation of Implied Warranties

ANY IMPLIED WARRANTIES, INCLUDING WARRANTIES OF MERCHANTABILITY AND FITNESS FOR A PARTICULAR PURPOSE, ARE LIMITED IN DURATION TO THE LENGTH OF THIS WARRANTY.

**Some states do not allow limitations on how long an implied warranty lasts, so the above limitation may not apply to you.**

### Exclusions of Damages

PEAVEY'S LIABILITY FOR ANY DEFECTIVE PRODUCT IS LIMITED TO THE REPAIR OR REPLACEMENT OF THE PRODUCT, AT PEAVEY'S OPTION. IF WE ELECT TO REPLACE THE PRODUCT, THE REPLACEMENT MAY BE A RECONDITIONED UNIT. PEAVEY SHALL NOT BE LIABLE FOR DAMAGES BASED ON INCONVENIENCE, LOSS OF USE, LOST PROFITS, LOST SAVINGS, DAMAGE TO ANY OTHER EQUIPMENT OR OTHER ITEMS AT THE SITE OF USE, OR ANY OTHER DAMAGES WHETHER INCIDENTAL, CONSEQUENTIAL OR OTHERWISE, EVEN IF PEAVEY HAS BEEN ADVISED OF THE POSSIBILITY OF SUCH DAMAGES.

**Some states do not allow the exclusion or limitation of incidental or consequential damages, so the above limitation or exclusion may not apply to you.**

***This Warranty gives you specific legal rights, and you may also have other rights which vary from state to state.***

If you have any questions about this warranty or service received or if you need assistance in locating an Authorized Service Center, please contact the Peavey International Service Center at (601) 483-5365.



Features and specifications subject to change without notice.



Features and specifications subject to change without notice.

Peavey Electronics Corporation • 711 A Street • Meridian • MS • 39301  
(601) 483-5376 • FAX (601) 486-1678 • [www.peavey.com](http://www.peavey.com)



80304602