



Double Bowl Slow Cooker



Important Safeguards	2	Cleaning Your Slow Cooker	8
Parts and Features.....	3	Recipes	8-23
How to Use Your Slow Cooker.....	4	Customer Assistance	24
Double Bowls	6-7		

For Customer Assistance Please Call: 1-877-207-0923

IMPORTANT SAFEGUARDS

When using electrical appliances, basic safety precautions should always be observed, including the following:

1. Read all instructions.
2. Do not touch hot surfaces. Use handles or knobs.
3. To protect against electrical shock do not immerse cord, plug, or base in water or other liquid.
4. Close supervision is necessary when used by or near children.
5. Unplug from outlet when not in use and before cleaning. Allow to cool before putting on or taking off parts.
6. Do not operate any appliance with a damaged cord or plug, or after the appliance malfunctions or is dropped or damaged in any manner. Call our toll-free customer assistance number for information on examination, repair or electrical or mechanical adjustment.
7. The use of accessory attachments not recommended by the appliance manufacturer may cause fire, electric shock or injury.
8. Do not use outdoors.
9. Do not let cord hang over edge of table or counter, or touch hot surfaces, including stove.
10. Do not place on or near hot gas or an electric burner, or in a heated oven.
11. Extreme caution must be used when using an appliance containing hot oil or other hot liquids.
12. To disconnect slow cooker, turn control knob to Off; remove plug from outlet.
13. Caution: To prevent damage or shock hazard do not cook in base. Cook only in removable liner.
14. Avoid sudden temperature changes, such as adding refrigerated foods into a heated crock.
15. Do not operate appliance in any way other than intended use.

SAVE THESE INSTRUCTIONS!

Consumer Safety Information

This product is intended for household use only.

This appliance is equipped with a polarized plug. This type of plug has one blade wider than the other. The plug will fit into an electrical outlet only one way. This is a safety feature intended to help reduce the risk of electrical shock. If you are unable to insert the plug into the outlet, try reversing the plug. If the plug should still fail to fit, contact a qualified electrician to replace the obsolete outlet. Do not attempt to defeat the safety purpose of the polarized plug by modifying the plug in any way.

To avoid an electrical circuit overload do not use a high wattage appliance on the same circuit with the slow cooker.

The length of the cord used on this appliance was selected to reduce the hazards of becoming tangled in, or tripping over a longer cord. If a longer cord is necessary an approved extension cord may be used.

The electrical rating of the extension cord must be equal to or greater than the rating of the slow cooker. Care must be taken to arrange the extension cord so that it will not drape over the countertop or tabletop where it can be pulled on by children or accidentally tripped over.

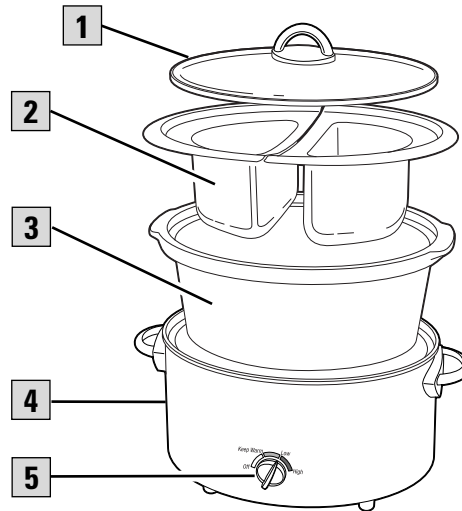
Do not cook in the Double Bowls unless water is in the crock.

Do not use the slow cooker with only half of the Double Bowl; both must be used.

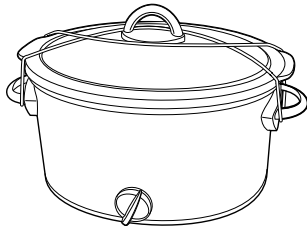
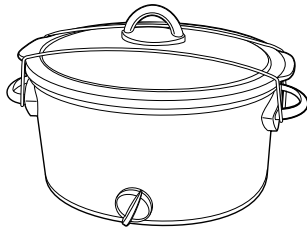
CAUTION: Keep the Lid Latch away from children. This feature, available on selected models (see page 3), is not a toy.

Parts and Features

- 1** Cover
- 2** Double Bowls
- 3** Crock
- 4** Base
- 5** Control Knob



Lid Latch



The **Lid Latch** secures the cover while moving, transporting, or storing the slow cooker. To use Lid Latch, place the white band behind the rib located under one of the handles. Stretch the band to the other side of the slow cooker and secure it under the other handle.

Once the band is attached, it can also be crossed over the knob to further secure the lid.

The Lid Latch is not a toy. Keep out of reach of children.

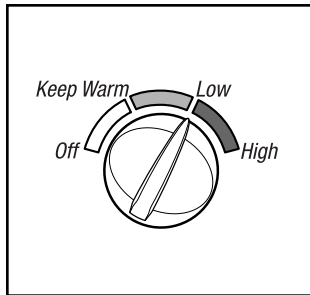
Crock Capacity

How much does your slow cooker hold?

The capacity of your slow cooker refers to the amount the crock can hold if it is filled to the rim. However, we **DO NOT** recommend filling to the rim. As a rule, you should select recipes that yield 1 quart less than the listed capacity of your crock.

For example, if your slow cooker is labeled as a 6-quart slow cooker, your best results will be achieved using recipes that yield 5 quarts or less.

Control Knob and Temperature Settings



The Control Knob on the slow cooker offers Low and High temperature settings for cooking. The Keep Warm setting is for holding the prepared recipe at a perfect serving temperature.

The Keep Warm setting should only be used after a recipe has been thoroughly cooked. Food should not be reheated on the Keep Warm setting. If food has been cooked and then refrigerated it must be reheated on Low or High and then switched to Keep Warm.

CAUTION: The Keep Warm setting should only be used after completely cooking the recipe according to the instructions. The food must be hot enough to prevent bacterial growth before using the Keep Warm setting. Do not use the Keep Warm setting to reheat any food that has been refrigerated or frozen.

How to Use Your Slow Cooker

1. Before first use, wash cover and crock in hot, soapy water. Rinse and dry. Do not immerse base in water.
2. Prepare recipe according to instructions. Place food in crock and cover.
3. Plug cord into outlet. Select temperature setting.
4. When finished, turn to Off and unplug base. Remove food from crock.
5. Let crock and cover cool slightly before washing.

Basic Cooking Chart/Hours Required

HEAT SETTING	LOW	HIGH
4 lb. Whole Chicken	8	4
3-4 lb. Beef Roast	10	5
3-4 lb. Boneless, Smoked Ham	8	4

Removing Cover and Crock



When removing the cover, tilt so that the opening faces away from you to avoid being burned by steam.

The sides of the base of the slow cooker get very warm because the heating elements are located here. Use the handles on the base if necessary. Use hot mitts to remove the crock.

Tips for Slow Cooking

The cover of the slow cooker does not form a tight fit on the crock but should be centered on the crock for best results.

Do not remove the cover unnecessarily—this results in major heat loss. Do not cook without cover in place.

Stirring is not necessary when slow cooking. However, **if cooking on High**, you may want to stir occasionally.

Slow cooking retains most of the moisture in foods. If a recipe results in **too much liquid** at the end of the cooking time, remove the cover, turn the Control Knob to High, and reduce the liquid by simmering. This will take 30 to 45 minutes.

The slow cooker should **be at least half-filled** for best results. If only half-filled, check for doneness 1 to 2 hours earlier than recipe time.

If cooking **soups or stews**, leave a **2-inch space** between the top of the crock and the food so that the recipe can come to a simmer.

Many recipes call for **cooking all day**. If your morning schedule doesn't allow time to prepare a recipe, do it the night before. Place all ingredients in the crock, cover, and refrigerate overnight. In the morning, simply place crock in the slow cooker and select the temperature setting.

Meat and poultry require at least 7 to 8 hours on Low. Do not use frozen, uncooked meat in the slow cooker. Thaw any meat or poultry before slow cooking.

If You've NEVER Used a Slow Cooker

Cooking in a slow cooker is easy but different from conventional methods. Take a few minutes and read "How to Use" and "Tips for Slow Cooking." Then try some of the recipes in the Slow Cooker Recipe Book included with your slow cooker.

You'll soon be convinced that a slow cooker is a necessity. There are also many slow cooker recipe books available in the library or bookstore. If you have any questions, call our toll-free customer assistance number. We'll be glad to help.

If You've Used a Slow Cooker Before

You are probably ready to develop new recipes for use in your slow cooker. If the recipe was originally cooked in a saucepan on the stovetop, or slow roasted in the oven, adapting the recipe should be easy.

Our slow cooker heats from the sides. The base slowly raises the temperature of the crock. Whether cooked on Low or High, the final temperature of the food is the same, about 200°F. The only difference is the amount of time the cooking process takes. Read the section on "Adapting Recipes" for more information.

This slow cooker is designed to bring ingredients quickly up to cooking temperature. It may reach a full boil and may cook faster than other slow cookers you have used. Because the slow cooker reaches its cooking temperature rapidly, older recipes may need to be adjusted. For example, recipes that call for pre-cooked or canned food items may now take less cooking time.

Adapting Recipes

Some ingredients are not suited for extended cooking in the slow cooker. Pasta, seafood, milk, cream, or sour cream should be added 2 hours before serving. Evaporated milk or condensed soups are perfect for the slow cooker.

Many things can affect **how quickly a recipe will cook**. The water and fat content of a food, the temperature of the food, and the size of the food will all affect the cooking time. Food cut into pieces will cook faster than whole roasts or poultry.

Most meat and vegetable combinations require **at least 7 hours** on Low.

The higher the fat content of the meat, the less liquid is needed. **If cooking meat with a high fat content**, place thick onion slices underneath, so the meat will not sit and cook in the fat.

Some recipes call for browning the meat before slow cooking. This is only **to remove excess fat or for color**; it is not necessary for successful cooking.

Slow cookers have very little evaporation. If making your favorite soup, stew, or sauce, **reduce the liquid or water** called for in the original recipe. If too thick, liquids can be added later.

If cooking a vegetable-type casserole, there will need to be **liquid in the recipe to prevent scorching** on the sides of the crock.

Double Bowls

The Double Bowls offer two different cooking methods: the conventional slow cook method or the faster, “bowls in the crock” method, as well as letting you cook two different recipes at the same time

Using the Double Bowls with water in the crock works like a conventional slow cooker. However, cooking with the Double Bowls in the base is very different. This is a much faster cooking method and nothing like the conventional slow cooker. This faster method should be used when time is a factor or with recipes such as soups or stews.

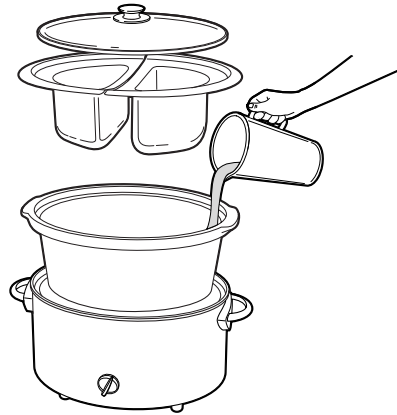
SLOW COOKER SIZE	CAPACITY OF DOUBLE BOWLS
6 Quart	1¾ quarts each

To Use the Double Bowls in the Crock

Before First Use: Wash bowls in hot, soapy water. Rinse and dry.

NOTE: When using the bowls in the crock, water **must** be used in the crock. Otherwise the crock may overheat and crack.

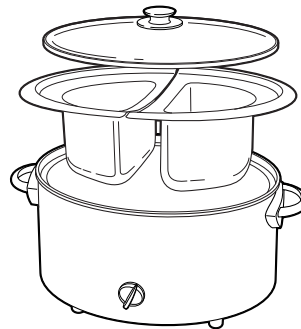
1. Pour one quart of water into the crock. Prepare recipe according to instructions. Place food in the bowls.
2. Place both bowls into crock. Cover and set the control knob to desired setting.
3. When done, turn control knob to Off and unplug slow cooker. Using oven mitts, carefully remove the cover and then the bowls.
4. Remove food from the bowls. Let the crock and cover cool slightly before washing.



To Use the Double Bowls in the Base

Before First Use: Wash bowls in hot, soapy water. Rinse and dry.

1. Prepare recipe according to instructions. Place food in bowls.
2. Place both bowls into the slow cooker base. Cover and set control knob to desired setting.
3. When done, turn control knob to Off and unplug slow cooker. Using oven mitts, carefully remove the cover and then the bowls.
4. Remove the food from the bowls. Let the cover cool slightly before washing.



Cleaning Your Slow Cooker

1. Turn the Control Knob to Off.
Unplug cord from outlet.
2. Remove crock and cover from base and let cool.
3. Wash the crock, bowls, and the cover in hot, soapy water. Rinse and dry. The crock, bowls, and the cover may also be washed in the dishwasher.
4. Wipe the base with a damp cloth.
Do not use abrasive cleansers.

CAUTION: To reduce the risk of electrical shock, do not immerse base in water.

Crock and Glass Cover Precautions and Information

- Please handle the crock and cover carefully to ensure long life.
- Avoid sudden, extreme temperature changes. For example, do not place a hot cover or crock into cold water or onto a wet surface.
- Avoid hitting the crock and cover against the faucet or other hard surfaces.
- Do not use crock or cover if chipped, cracked, or severely scratched.
- Do not use abrasive cleansers or metal scouring pads.
- The bottom of the crock is very rough and can damage the countertop. Use caution.
- The crock and the cover can become very hot. Use caution. Do not place directly on any unprotected surface or countertop.
- The crock is microwave-safe and oven-proof, but never heat the crock when empty. Never place the crock on a burner or stove top. Do not place the cover in a microwave oven, conventional oven, or on the stove top.

Recipes

The recipes are divided into three different cooking categories:

- Using the traditional crock
- Using the double bowls with the water in the crock
- Using the double bowls in the base

NOTE: For best results, be sure to note the category because each cooking category requires different cooking times.

Appetizers (Using the traditional crock)

Salsa con Queso

- 2 (2-pound) blocks pasteurized processed cheese product, cut in 2-inch pieces
- 1½ quarts salsa
- 4 (6-ounce) cans chopped green chilies, do not drain
- 2-3 tablespoons chili powder
- 2 teaspoons garlic powder
- 2 (8-ounce) bags shredded Monterey Jack cheese

Combine all ingredients in the crock. Stir well. Stir halfway through cooking time. Serve with chips.

**Cover and cook: Low – 3 hours or
High – 1½ hours**

Hot Wings

- 8 pounds chicken wings
- 1 cup cider vinegar
- 2 tablespoons hot pepper sauce
- 2 cups barbecue sauce

Rinse chicken wings in cold water. Place ingredients in crock in order listed then pour barbecue sauce over all.

**Cover and cook: Low – 6 hours or
High – 3 hours**

Sweet & Pungent Meat Balls

- 5 pounds frozen cooked meatballs
- 1 (12-ounce) jar grape jelly
- 1 (12-ounce) jar currant jelly
- 1 (12-ounce) bottle chili sauce
- 1 (12-ounce) bottle cocktail sauce

Combine all ingredients in the crock. Stir well.

**Cover and cook: Low – 6 hours or
High – 3 hours**

Appetizers *(Using DOUBLE BOWLS in the CROCK)*

Entertaining is made effortless with the slow cooker and the double bowls. After the recipe has cooked, it is ready to serve or switch the control knob to Keep Warm. This will keep the dish at the perfect serving temperature.

Cheese Dip

Nacho

1 (1-pound) block pasteurized processed cheese
2 cups salsa

Spicy Nacho

1 (1-pound) block pasteurized processed cheese
2 cups salsa
1 (4-ounce) can sliced jalapeno peppers, do not drain

Cut cheese into thick slices. Pour salsa into both double bowls. Add cheese to each bowl. Then, for the Spicy Nacho Cheese Sauce, stir peppers into one of the double bowls. Pour water in crock. Place bowls in crock.

Cover and cook: High – 2 hours

Serve with tortilla chips.

Bean Dip

Refried

2 (16-ounce) cans refried beans
1 (1¼-ounce) package taco seasoning mix
2 cups shredded Monterey Jack cheese

Spicy Refried

2 (16-ounce) cans refried beans
1 (1¼-ounce) package taco seasoning mix
2 cups shredded Monterey Jack cheese
1 (4-ounce) can sliced hot chili peppers, drained

Mix beans, seasoning mix, and cheese and place into both double bowls. Stir peppers into one of the double bowls. Pour water in crock. Place bowls in crock.

Cover and cook: High – 2 hours

Appetizers *(Using DOUBLE BOWLS in the BASE)*

Meatballs

Swedish

- 1 (10½-ounce) can cream of mushroom soup
- ½ cup water
- 1 (¾-ounce) envelope brown gravy mix
- 1½ pounds frozen cooked meatballs, thawed

Sweet 'n Tangy

- ½ cup chili sauce
- ½ cup grape jelly
- ½ cup orange marmalade
- 1½ pounds frozen cooked meatballs, thawed

Place meatballs in each double bowl. Combine the sauce ingredients for each recipe and stir to mix. Pour each sauce into one of the bowls. Place double bowls in base.

Cover and cook: High – 1 hour

Cocktail Hotdogs

Zesty

- ½ cup prepared mustard
- ½ cup ketchup
- ½ cup brown sugar
- 1½ pounds cocktail size hotdogs or sausages

Sweet 'n Tangy

- ½ cup chili sauce
- ½ cup grape jelly
- ½ cup orange marmalade
- 1½ pounds cocktail size hotdogs or sausages

Place hotdogs or sausages in each double bowl. Combine the sauce ingredients for each recipe and stir to mix. Pour each sauce into one of the bowls. Place double bowls in base.

Cover and cook: High – 1 hour

Main Dish/Entrees (Using traditional crock)

Slow Cooked Beef Stew

- 2 (1-pound) bags baby carrots
- 3 pounds boneless beef chuck roast, cubed
- 4 large potatoes, cubed
- 2 (10¾-ounce) cans condensed cream of tomato soup
- 1½ cups water
- 2 (1.5-ounce) envelopes beef stew seasoning mix

Cut carrots in half crosswise. Place beef, carrots, and potatoes in slow cooker. In a bowl, whisk together the soup, water, and seasoning packet. Pour over beef and vegetables.

Makes about 3 or 5 quarts.

**Cover and cook: Low – 8 hours or
High – 4 hours**

New England Boiled Dinner

- 1 (4-pound) boneless, smoked ham
- 2 (16-ounce) cans whole potatoes, drained
- 2 (16-ounce) bags frozen baby carrots
- 1 (2-pound) cabbage, cut in 6 wedges
- ½ cup water

Place the meat in the crock and fit the vegetables around it. Add water.

Makes 4 or 8 servings.

**Cover and cook: Low – 6 hours or
High – 3 hours**

Wursts and Sauerkraut

- 2 (28-ounce) cans sauerkraut
- 1 envelope dry onion soup mix
- 1 (12-ounce) bottle beer
- 1 tablespoon Worcestershire sauce
- 4 pounds pre-cooked bratwurst, knockwurst, or kielbasa

Combine all ingredients, except the wursts, in the crock. Stir well. Add the meat and stir.

Makes 6 or 12 servings.

**Cover and cook: Low – 6 hours or
High – 3 hours**

Main Dish/Entrees (Using traditional crock)

German-Style Pot Roast

- ¾ cup cider vinegar
- ¼ cup ketchup
- ½ cup chopped onion
- 1 (14-ounce) can beef broth
- 12 ginger snap cookies
- 1 (0.8-ounce) envelope brown gravy mix
- 4 pound boneless chuck or bottom round roast

Combine all ingredients, except the meat, in the crock. Stir well. Add the meat and stir well to coat.

Makes about 4 or 8 servings.

**Cover and cook: Low – 8 to 10 hours or
High – 4 to 5 hours**

Hawaiian Chicken

- 6 pounds skinless, boneless chicken breasts, halved
- 2 (16-ounce) cans pineapple slices, drained
- 2 (15-ounce) cans mandarin oranges, drained
- ¼ cup cornstarch
- ¼ cup brown sugar, packed
- ¼ cup lemon juice
- ½ teaspoon salt
- ½ teaspoon ground ginger

Combine all ingredients in the crock. Stir well.

Makes about 6 to 8 servings or 12 to 16 servings.

**Cover and cook: Low – 5 to 6 hours or
High – 3 to 4 hours**

Classic Beef Roast With Mushroom-Onion Gravy

- 5 pounds boneless beef chuck roast
- 2 (1-ounce) envelopes dry onion soup mix
- 2 (10-ounce) cans condensed cream of mushroom soup

Place roast in crock. Sprinkle onion soup on roast then spoon on undiluted soup.

Makes about 6 or 10 servings.

**Cover and cook: Low – 8 hours or
High – 4 hours**

Main Dish/Entrees (Using traditional crock)

Onion-Coated Beef Roast

- ½ cup steak sauce
- 4-5 pounds bottom round or rump beef roast
- 2 tablespoons dried minced onion

Pour steak sauce into the crock. Place meat in the crock and coat both sides with the sauce. Sprinkle each side with 1 tablespoon of the dried onion.

Makes about 6 or 14 servings.

**Cover and cook: Low – 10 hours or
High – 5 hours**

Swedish Meatballs

- 5 pounds frozen cooked meatballs
- 2 (10½-ounce) cans cream of mushroom soup, undiluted
- 2 (10½-ounce) cans golden mushroom soup, undiluted
- 2 (14-ounce) cans beef broth
- 2 (¾-ounce) envelopes brown gravy mix

Combine all ingredients in the crock. Stir well.

Makes about 3 or 5 quarts.

**Cover and cook: Low – 6 hours or
High – 3 hours**

Serve over rice.

Corned Beef

- 5 pounds corned beef brisket with pickling spices
- 1 medium onion, sliced
- 2 carrots, sliced
- 2 ribs celery, sliced
- 1 cup water

Place corned beef in crock. Top with pickling spices, onion, carrots, and celery. Add water.

Makes about 3 to 5 pounds corned beef.

**Cover and cook: Low – 8 hours or
High – 4 hours**

Main Dish/Entrees (Using traditional crock)

Beef Pot Roast and Potatoes

- 5 pounds boneless beef chuck roast
- 2 teaspoons salt
- ½ teaspoon pepper
- 10 medium potatoes, quartered
- 1 medium onion, quartered
- ½ cup water or beef broth

Sprinkle roast with salt and pepper. Place vegetables in bottom of crock. Top with roast. Add liquid.

Makes 6 or 10 servings.

**Cover and cook: Low – 8 to 10 hours or
High – 4 to 5 hours**

North Carolina Pork Barbecue

- 6 pounds pork butt, shoulder or blade roast
- 2 (14-ounce) cans diced tomatoes
- 1 cup vinegar
- 4 tablespoons Worcestershire sauce
- 2 tablespoons sugar
- 2 heaping tablespoons crushed red pepper flakes
- 2 tablespoons salt
- 4 teaspoons black pepper

Combine all ingredients in crock.

Makes about 3 to 5 pounds barbecue.

**Cover and cook: Low – 8 to 10 hours or
High – 5 hours**

Remove and shred meat to serve.

Italian-Style Beef Stew

- 4 pounds boneless beef stewing cubes
- 3 (10-ounce) boxes frozen mixed vegetables
- 2 (15-ounce) cans tomato sauce
- 1 tablespoon Worcestershire sauce
- ¼ cup chopped onion
- 2 (1.5-ounce) envelopes beef stew seasoning mix

Combine all ingredients in the crock. Stir well.

Makes about 3 or 5 quarts.

**Cover and cook: Low – 8 hours or
High – 4 hours**

Main Dish/Entrees (Using traditional crock)

Chili

- 1½ pounds hot Italian sausage, removed from casings
- 1½ pounds lean ground beef
- 1 medium onion, chopped
- 2 (¾-ounce) envelopes chili seasoning mix
- 2 (16-ounce) cans kidney beans, drained
- 2 (14-ounce) cans diced tomatoes
- 2 (6-ounce) cans tomato paste
- 2 (15-ounce) cans chicken broth

Crumble sausage and ground beef into large skillet. Add onion. Over medium high heat, partially cook sausage, ground beef and onion. Place cooked meat mixture in crock. Add remaining ingredients.

Makes about 3 or 5 quarts.

**Cover and cook: Low – 8 hours or
High – 4 hours**

Tex-Mex Beef Barbecue

- 6 pounds brisket of beef
- 2 (18-ounce) bottles hickory-smoked barbecue sauce
- 2 (1.25-ounce) envelopes chili seasoning
- 2 teaspoons chopped garlic
- 2 teaspoons lemon juice
- 2 tablespoons Worcestershire sauce
- 1 cup chopped onion

Combine all ingredients, except meat, in the crock. Stir well. Add meat and stir well to coat.

Remove the meat and shred. Return the meat to the crock. Stir well.
Serve on soft rolls.

Makes 8 or 16 servings.

**Cover and cook: Low – 10 hours or
High – 5 hours**

Main Dish/Entrees *(Using DOUBLE BOWLS in the CROCK)*

Chicken and Glazed Carrots

- | | |
|--|-------------------------------|
| 4 boneless chicken breasts
(about 1½ lbs) | 1 (16-ounce) bag baby carrots |
| 1 (10-ounce) can cream of celery
condensed soup | ¼ cup butter, melted |
| | ¼ cup brown sugar |

Layer chicken breasts and soup in one double bowl. Cut carrots in half, lengthwise. Combine carrots, butter, and brown sugar in the other double bowl. Pour water in crock. Place bowls in crock.

Makes 4 servings.

Cover and cook: Low – 5 to 6 hours

Roast Beef and Potatoes

- | | |
|-------------------------------|-----------------------------------|
| 2 pound beef chuck roast | 1½ pounds small new red potatoes |
| ¼ cup water | 1 tablespoon vegetable oil |
| 1 envelope dry onion soup mix | 1 teaspoon Italian herb seasoning |

Cut roast to fit into one double bowl. Add the water then sprinkle with soup mix. Cut potatoes into halves or quarters, not larger than a golf ball. Toss potatoes with oil and herb seasoning. Pour into the other double bowl. Pour water in crock. Place bowls in crock.

Makes 4 to 6 servings.

Cover and cook: Low – 8 hours

Pork Loin Chops and Baked Apples

- | | |
|--|---|
| 4 thick boneless loin pork chops
(about 1½ lbs) | 3 large Golden Delicious apples
(peeled, cored, and cut in half) |
| ¼ cup apple juice | 1 tablespoon butter, melted |
| ¼ cup brown sugar | 1 tablespoon sugar |
| 1 tablespoon soy sauce | ¼ teaspoon cinnamon |

Place chops in one double bowl. Combine apple juice, brown sugar, and soy sauce and drizzle over chops. Place apples in the other double bowl. Drizzle with butter, then sprinkle with sugar and cinnamon. Pour water in crock. Place bowls in crock.

Makes 4 servings.

Cover and cook: Low – 6 to 7 hours

Roast Beef and Onion Hoagies

- | | |
|-------------------------------------|-----------------------------------|
| 2½ pounds boneless beef chuck roast | 2 large onions, peeled and sliced |
| ¼ cup soy sauce | 1 tablespoon water |
| 1 tablespoon brown sugar | 1 tablespoon Worcestershire sauce |
| 1 teaspoon salt | Buns or rolls |
| 1 teaspoon ground ginger | |

Cut beef into thin slices and place in one double bowl. Combine soy, brown sugar, salt, and ginger then pour over beef. Place sliced onions, water, and Worcestershire in the other double bowl. Pour water in crock. Place bowls in crock.

Makes 6 to 8 servings.

Cover and cook: Low – 6 hours

Serve on buns or rolls

Main Dish/Entrees

(Using *DOUBLE BOWLS* in the *BASE*)

Kielbasa and Italian Beans

- 1 pound package pre-cooked Kielbasa sausage
- ¼ cup beer or water
- 16 ounce can red kidney beans, drained
- 16 ounce can chick peas (garbanzo beans), drained
- 16 ounce can great northern beans, drained
- ½ teaspoon Italian herb seasoning
- ¼ teaspoon salt

Cut the sausage to fit into one double bowl. Add the beer or water. Place beans and seasonings in the other double bowl. Stir to mix. Place double bowls in the base.

Makes 4 servings.

Cover and cook: High – 2 hours

Ham and Potatoes

- 2 pound boneless cooked buffet ham
- 2 tablespoons water
- 3 (16-ounce) cans whole potatoes, drained
- ¼ teaspoon salt
- ½ teaspoon dried parsley

Place ham and water in one double bowl. Cut ham to fit if necessary. Place potatoes in the other double bowl and sprinkle with salt and parsley. Place double bowls in the base.

Makes 4 servings.

Cover and cook: High – 2 hours

Beans and Wienies

- 1 pound package hotdogs
- 2 tablespoons water
- 3 (15-ounce) cans pork and beans
- 1 envelope dry onion soup mix
- Hotdog buns

Place hotdogs and water in one double bowl. Pour beans and soup mix into the other double bowl. Stir to mix. Place double bowls in the base.

Makes 6 servings.

Cover and cook: High – 2 hours

Opposites *(Using DOUBLE BOWLS in the CROCK)*

Bread Puddings

Vanilla

- 1 (12-ounce) can evaporated milk
- 2 eggs
- 2 tablespoons butter, melted
- $\frac{3}{4}$ cup brown sugar
- 1 teaspoon cinnamon
- 2 teaspoons vanilla
- 6 slices bread, cut into 1-inch pieces
(about 6 cups)

Chocolate Chip

- 1 (12-ounce) can evaporated milk
- 2 eggs
- 2 tablespoons butter, melted
- $\frac{3}{4}$ cup brown sugar
- 2 teaspoons vanilla
- 1 cup chocolate chips
- 5 slices bread, cut into 1-inch pieces
(about 5 cups)

Spray double bowls with nonstick cooking spray. Place 6 cups of bread cubes in one double bowl. Combine 5 cups of bread cubes and chocolate chips and place in the other double bowl. Combine the milk, eggs, butter, and brown sugar and pour into each double bowl. Press down bread cubes until all are moistened. Pour water into crock. Place double bowls in crock.

Cover and cook: High – 3 hours

Opposites *(Using DOUBLE BOWLS in the BASE)*

Vegetarian and Meaty Spaghetti Sauce

- 8 ounces lean ground beef, cooked and crumbled
- ½ cup chopped onion
- 2 teaspoons vegetable oil
- 1 (28-ounce) can crushed tomatoes
- 1 (14-ounce) can diced tomatoes
- 1 (12-ounce) can tomato paste
- 1 (6-ounce) can sliced mushrooms, drained
- 1½ cups water
- 1 teaspoon dried Italian seasoning
- 1 teaspoon dried basil
- 1 teaspoon salt
- 1 teaspoon sugar

Place cooked ground beef in one double bowl. In a skillet over medium-high heat, saute onion in oil until tender. Place onion in the other double bowl. In a large bowl combine tomatoes, paste, mushrooms, water, and seasonings. Stir to mix. Divide the tomato mixture in half; one half to each double bowl. Place bowls in the base.

Cover and cook: High – 2 hours

Vegetarian Chili and Chili Con Carne *(with meat)*

- ½ cup onion
- 2 teaspoons vegetable oil
- 1 (15-ounce) can Great Northern Beans, drained
- 1 (15-ounce) can kidney beans, drained
- 1 (15-ounce) can black beans, drained
- 1 (14-ounce) can diced tomatoes
- 1 (8-ounce) can tomato sauce
- 1 (¾-ounce) envelope chili seasoning
- 8 ounces lean ground beef, cooked and crumbled

In a skillet over medium-high heat, saute onion in oil until tender. Place onion, beans, tomatoes, sauce, and seasoning in a large bowl and stir to mix. Place the cooked beef in one double bowl. Divide the chili mixture in half; one half to each double bowl. Place bowls in base.

Cover and cook: High – 2 hours

Opposites *(Using DOUBLE BOWLS in the BASE)*

Dessert Fondue

Chocolate

- 1 (8-ounce) box unsweetened baking chocolate
- 1 (8-ounce) box semi-sweet baking chocolate
- 1 (8-ounce) box white baking chocolate
- 1 (14-ounce) can sweetened condensed milk
- 1 cup milk

Caramel

- 1 (14-ounce) bag caramels (2 cups)
- 1 (6-ounce) box white baking chocolate
- 1 (14-ounce) can sweetened condensed milk

Place all chocolate and milk ingredients in one double bowl. Place unwrapped caramels, white chocolate, and milk in the other double bowl. Place double bowls in base. Use to dip fruit, cookies, or cake cubes.

Cover and cook: High – 45 minutes, then stir and cook another 15 minutes.

Miscellaneous *(Using the traditional crock)*

Broasted New Potatoes

- 6 pounds (small) new red potatoes, unpeeled
- 2 tablespoons olive oil
- 2 envelopes zesty Italian dressing mix

Potatoes should be the size of golf balls. If not, cut in half or quarter.

Pour the oil in a plastic bag and add the potatoes and shake to coat well. Add the salad dressing mix and shake well until all the potatoes are coated. Place potatoes into the crock.

Makes 8 or 14 servings.

**Cover and cook: Low – 7 to 8 hours or
High – 4 hours**

Miscellaneous (Using the traditional crock)

Baked Potatoes

Scrub baking potatoes and pierce skin in several places with a fork. Stack potatoes in a pyramid in the crock so as not to touch the sides of the crock.

**Cover and cook: Low – 8 to 9 hours or
High – 5 hours**

Easy Potato Casserole

- 2 (2 pound) bags Southern Style frozen hash brown potatoes
- 2 (10 ounce) cans condensed cheddar cheese soup
- 2 (12 ounce) cans evaporated milk
- 4 tablespoons butter, melted
- 1 teaspoon salt

Place potatoes in crock. Combine soup, milk, butter, and salt. Stir to mix then pour over potatoes. Stir gently to mix.

Makes about 10 or 20 servings.

Cover and cook: Low – 6 to 7 hours*

***Only the Low setting is recommended for this recipe.**

Baked Apples

- 12 large baking apples (Rome or York)
- 4 tablespoons lemon juice
- 4 tablespoons butter, melted
- 6 tablespoons brown sugar
- 1 teaspoon nutmeg
- 2 teaspoons cinnamon

Peel, core, and cut apples in half. Place in crock. Drizzle with lemon juice and butter. Sprinkle with sugar and spices. To serve, top with vanilla ice cream.

Makes 10 to 20 servings.

**Cover and cook: Low – 4 hours or
High – 2 hours**

Miscellaneous *(Using the DOUBLE BOWLS in the BASE)*

Snack Pecans

Sugared

- 1 pound pecan halves
- $\frac{1}{3}$ cup butter, melted
- $\frac{1}{2}$ cup powdered sugar
- $\frac{1}{2}$ teaspoon cinnamon
- $\frac{1}{4}$ teaspoon ginger

Spicy

- 1 pound pecan halves
- $\frac{1}{4}$ cup butter, melted
- 2 teaspoons chili powder
- 1 teaspoon garlic salt

Combine ingredients for each recipe and place in the double bowls.
Place bowls in base.

Cover and cook: High – 1 hour

Spiced and Spiked Cider

- 2 $\frac{1}{2}$ quarts apple cider
- 1 teaspoon cinnamon
- $\frac{1}{2}$ teaspoon allspice
- $\frac{1}{2}$ teaspoon ground cloves
- $\frac{1}{4}$ teaspoon nutmeg
- 1 $\frac{1}{2}$ cups bourbon

Combine cider and spices. Pour 1 $\frac{1}{2}$ quarts into one double bowl. Add the bourbon to the remaining cider. Pour the spiked cider into the other double bowl. Place bowls in base.

Cover and cook: High – 1 $\frac{1}{2}$ hours

Mocha Coffee

Regular

- $\frac{1}{4}$ cup instant coffee powder
- 3 envelopes instant cocoa mix
- 1 quart hot water
- 1 cup milk

Decaf

- $\frac{1}{4}$ cup instant decaffeinated coffee powder
- 3 envelopes instant cocoa mix
- 1 quart hot water
- 1 cup milk

Combine ingredients for each recipe and place in the double bowls.
Place bowls in base.

Cover and cook: High – 1 $\frac{1}{2}$ hours

Customer Assistance

If you have a claim under this warranty, please call our Customer Assistance Number. For faster service please have model, series, and type numbers ready for operator to assist you. These numbers can be found on the bottom of your slow cooker.

MODEL: _____ **TYPE:** _____ **SERIES:** _____

Customer Assistance Number 1-877-207-0923

Keep this number for future reference!

E-mail inquiries: www.gehousewares.com

Two-Year Limited Warranty

What does your warranty cover?

- Any defect in material or workmanship.

For how long after the original purchase?

- Two years.

What will we do?

- Provide you with a new one.

How do you make a warranty claim?

- Save your receipt.
- Properly pack your unit. We recommend using the original carton and packing materials.
- Return the product to your nearest WAL*MART store or call Customer Assistance at 1-877-207-0923.

What does your warranty not cover?

- Glass parts, glass containers, cutter/strainer, blades and/or agitators.
- Commercial use or any other use not found in printed directions.
- Damage from misuse, abuse, or neglect.
- Products purchased or serviced outside the USA.

How does state law relate to this warranty?

- This warranty gives you specific legal rights, and you may also have other rights which vary from state to state.
- WAL*MART expressly disclaims all responsibility for consequential damages or incidental losses caused by use of this appliance. Some states do not allow this exclusion or limitation of incidental or consequential losses so the foregoing disclaimer may not apply to you.

What if you purchased your product in the U.S., Canada or Mexico and encounter a problem while using it outside the country of purchase?

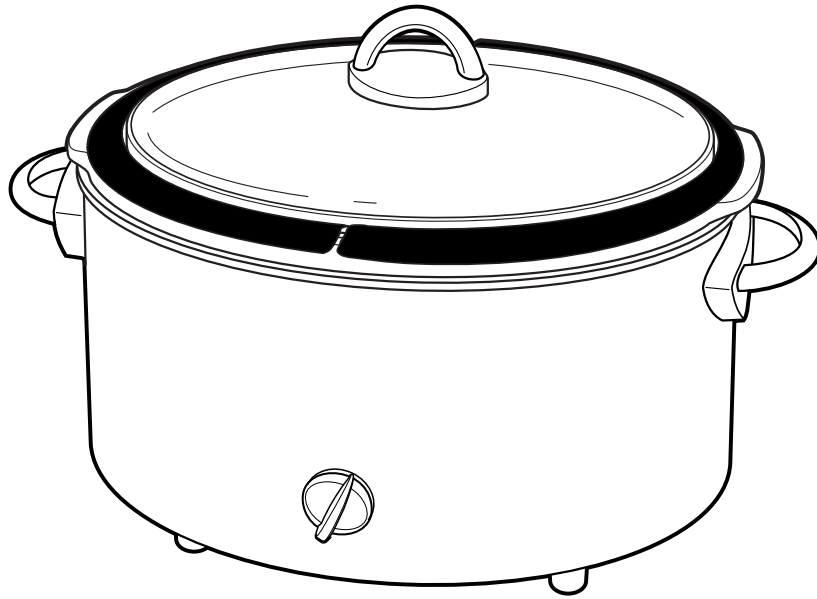
- The warranty is valid only in the country of purchase and if you follow the warranty claim procedure as noted.



is a trademark of
General Electric Company
and is used under license by
WAL*MART Stores, Inc.
Bentonville, AR 72716



Olla eléctrica de cocimiento lento con tazones dobles



Salvaguardias importantes	2	Limpieza de la olla eléctrica de cocimiento lento	8
Partes y características	3	Recetas	8-23
Uso de su olla eléctrica de cocimiento lento	4	Asistencia al cliente	24
Tazones dobles.....	6		

Para comunicarse con Asistencia al Cliente, llame al 1-877-207-0923

SALVAGUARDIAS IMPORTANTES

Cuando use aparatos eléctricos, es importante seguir todas las precauciones de seguridad que incluyen lo siguiente:

1. Lea todas las instrucciones.
2. No toque superficies calientes. Use los mangos o las perillas.
3. Para protegerse contra el riesgo de choque eléctrico, no sumerja el cordón, el enchufe ni la base en agua ni en ningún otro líquido.
4. Es necesario que haya buena supervisión cuando los niños utilicen aparatos o cuando éstos se estén utilizando cerca de niños.
5. Desenchúfelo del tomacorriente cuando no lo esté usando y antes de la limpieza. Deje que se enfríe antes de colocar o sacar alguna pieza.
6. No opere ningún aparato electrodoméstico si el cordón o el enchufe están averiados, después de un mal funcionamiento del aparato, o si éste se ha caído o averiado de alguna forma. Llame a nuestro número de llamada gratis de servicio al cliente, para obtener información sobre el examen, la reparación o la regulación del aparato.
7. El uso de accesorios no recomendados por el fabricante de electrodomésticos puede causar incendios, choques eléctricos o lesiones.
8. No lo use al aire libre.
9. No deje que el cordón cuelgue sobre el borde de una mesa o de un mostrador, o que toque alguna superficie caliente, incluyendo la superficie de una estufa.
10. No coloque el aparato sobre o cerca de una fuente de gas caliente o de un quemador eléctrico, ni dentro de un horno caliente.
11. Es importante tener extremo cuidado cuando se mueva un aparato electrodoméstico que contenga aceite caliente u otros líquidos calientes.
12. Para desconectar la olla eléctrica de cocimiento lento, coloque la perilla en la posición apagada (OFF); saque el enchufe del tomacorriente.
13. Precaución: Para evitar daños o peligros de choque eléctrico no cocine sobre la base. Cocine solamente dentro del revestimiento desmontable.
14. Evite cambios repentinos de temperatura, como la adición de alimentos refrigerados en una vasija caliente.
15. No use el aparato electrodoméstico para ningún otro fin que no sea el indicado.

¡GUARDE ESTAS INSTRUCCIONES!

Información para la seguridad del consumidor

Este aparato ha sido diseñado solamente para uso doméstico.

Este aparato viene equipado con un enchufe polarizado. Este tipo de enchufe tiene una clavija más ancha que la otra. Este tipo de enchufe encajará en un tomacorriente de una sola manera. Esta es una propiedad de seguridad. Si no puede introducir el enchufe en el tomacorriente, trate de invertir el enchufe. Si aún no encaja, comuníquese con un electricista competente para cambiar el tomacorriente obsoleto. No trate de hacer caso omiso del propósito de seguridad de la clavija de tierra modificando el enchufe de alguna manera.

Para evitar una sobrecarga del circuito eléctrico, no use un aparato de alto vataje en el mismo circuito con la olla eléctrica de cocimiento lento.

Este aparato tiene un cordón corto para reducir el peligro de que alguien se enganche o tropiece con un cordón más largo. Se puede usar un cordón de alargue si la clasificación nominal eléctrica del cordón de alargue es igual o mayor que la clasificación nominal de la olla eléctrica de cocimiento lento. Es importante tener cuidado de colocar el cordón de alargue para que no se pliegue sobre el mostrador o la mesera en donde niños puedan tirar del mismo o tropezarse accidentalmente.

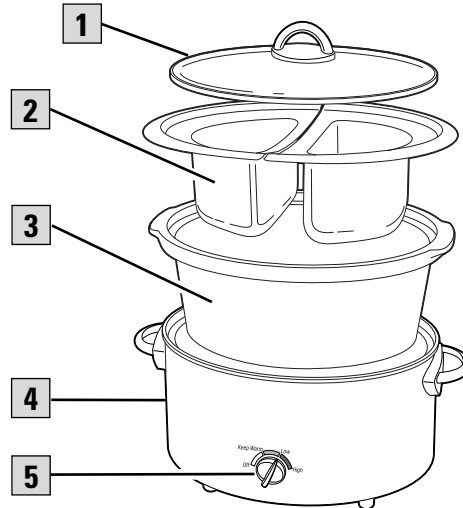
No cocine en los tazones dobles si no hay agua en la vasija.

No use la olla eléctrica de cocimiento lento con la mitad de los tazones dobles solamente; deben usarse ambos tazones.

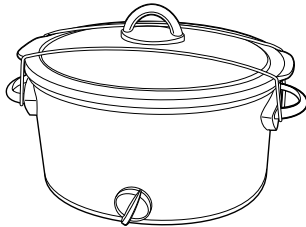
PRECAUCIÓN: Mantenga el seguro de la tapa fuera del alcance de niños. Esta opción, que se encuentra disponible en modelos seleccionados (consulte la página 3), no es un juguete.

Partes y características

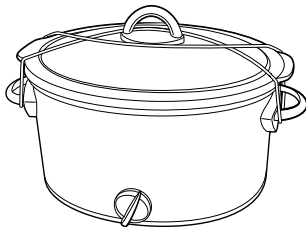
- 1** Tapa
- 2** Tazones dobles
- 3** Vasija
- 4** Base
- 5** Perilla de control



Seguro de la tapa



El **Seguro de la Tapa** asegura la tapa durante el movimiento, transporte o almacenamiento de la olla. Para usar el Seguro de la Tapa, coloque la banda blanca en la ranura ubicada debajo de uno de los mangos. Estire la banda hasta el otro lado de la olla y asegúrela en la ranura debajo del otro mango.



Una vez que la banda está colocada, también se la puede cruzar sobre la perilla para asegurar la tapa aún más.

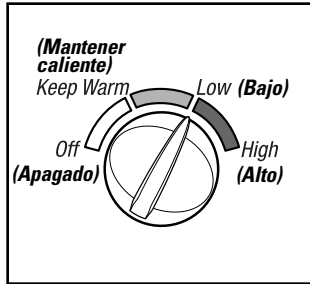
El Seguro de la Tapa no es un juguete. Manténgalo fuera del alcance de niños.

Capacidad de la vasija

¿Cuánto soporta la olla eléctrica de cocimiento lento?

La capacidad de su olla eléctrica de cocimiento lento se refiere a la cantidad que la vasija puede sostener si está llena hasta el borde. Sin embargo, nosotros **NO** recomendamos que la llene hasta el borde. Por lo general, usted debe seleccionar recetas que permitan un cuarto menos de la capacidad mencionada en su vasija. Por ejemplo, si su olla eléctrica de cocimiento lento tiene una capacidad de 6 cuartos, obtendrá mejores resultados si usa recetas que permitan 5 cuartos o menos.

La perilla de control y la graduación de temperatura



La Perilla de Control en la olla eléctrica de cocimiento lento ofrece graduaciones de temperatura Baja y Alta para cocinar. La graduación de Mantener Caliente es para mantener la receta preparada a la temperatura perfecta para servir.

La graduación de Mantener Caliente se debe usar solamente después de haber cocinado la receta completamente. No recaliente comidas en la graduación de Mantener Caliente. Si la comida se cocinó y luego se refrigeró, deberá recalentarse en la graduación Baja o Alta y luego se podrá colocar en Mantener Caliente.

PRECAUCIÓN: La graduación de Mantener Caliente se debe usar solamente después de haber cocinado la comida completamente según las instrucciones. Es importante que la comida esté lo suficientemente caliente para evitar el crecimiento de bacteria antes de utilizar la graduación de Mantener Caliente. No use esta graduación para recalentar alimentos que hayan sido refrigerados o congelados.

Uso de su olla eléctrica de cocimiento lento

1. Antes de usarla por primera vez, lave la tapa y la vasija en agua caliente y jabonosa. Enjuague y seque. No sumerja la base en agua.
2. Prepare la receta según las instrucciones. Coloque la comida en la vasija y cúbrala con la tapa.
3. Enchufe el cordón en el tomacorriente. Seleccione la graduación de temperatura.
4. Cuando termine, apague y desenchufe la base. Saque la comida de la vasija.
5. Deje que la vasija y la tapa se enfríen un poco antes de lavarlas.

Tabla básica de cocción/horas requeridas

GRADUACIÓN DE TEMPERATURA	BAJA	ALTA
Pollo entero de 4 libras	8	4
Bife de res de 3-4 libras	10	5
Jamón ahumado, deshuesado de 3-4 libras	8	4

Cómo sacar la tapa y la vasija



Cuando saque la **tapa**, **inclínela de manera que la abertura apunte en dirección opuesta a donde usted se encuentre** para evitar recibir quemaduras con el vapor.

Los costados de la **base de la olla eléctrica de cocimiento lento se calientan mucho** debido a que allí es donde se encuentran los elementos calefactores. Use los mangos en la base si fuese necesario. Use guantes de cocina para sacar la vasija.

Sugerencias para el cocimiento lento

La tapa de la olla no encaja en forma ajustada sobre la vasija, pero debe quedar en el centro de la misma para obtener mejores resultados. **No saque la tapa sin necesidad**— eso resulta en una pérdida considerable de calor. No cocine sin haber cubierto la vasija con la tapa.

No es necesario revolver la comida cuando se usa el procedimiento de cocimiento lento. Sin embargo, **si cocina a temperatura ALTA**, es posible que desee revolverla ocasionalmente.

El cocimiento lento hace que los alimentos retengan la mayoría de la humedad. Si una receta resulta en **demasiado líquido** líquido al final del tiempo de cocción, retire la tapa, coloque la perilla de control en la graduación Alta y reduzca el líquido haciendo hervir lentamente. Esto demorará unos 30 a 45 minutos.

La olla eléctrica de cocimiento lento debe estar **por lo menos llena hasta la mitad** para obtener los mejores resultados. Si la llena sólo hasta la mitad, verifique el punto de cocción 1 ó 2 horas antes del tiempo que se indica en la receta.

Si cocina **sopas o guisados**, **deje un espacio de 2 pulgadas** entre la parte superior de la vasija y el alimento para que la receta pueda llegar a hervir y continuar hirviendo lentamente.

Muchas recetas indican que la preparación se debe dejar **cocinar todo el día**. Si sus actividades de la mañana no le dan tiempo para preparar una receta, hágalo la noche anterior. Coloque todos los ingredientes en la vasija, cubra y déjela en el refrigerador durante la noche. De mañana, simplemente coloque la vasija en la olla eléctrica de cocimiento lento y seleccione la graduación de temperatura deseada.

La carne de res y el pollo requieren por lo menos entre 7 y 8 horas a temperatura Baja. No use carne congelada en la olla de cocimiento lento. Descongele la carne de res o el pollo antes de cocinar.

Si usted NUNCA ha usado una olla eléctrica de cocimiento lento

La cocción en una olla de este tipo es fácil, pero diferente de los métodos convencionales. Es importante que se tome unos minutos y lea “El uso de” y las “Sugerencias para el cocimiento lento”. Luego pruebe algunas de las recetas en el Libro de Recetas que viene incluido con su olla.

En poco tiempo se convencerá que una olla eléctrica de cocimiento lento es una necesidad. Las bibliotecas o librerías también cuentan con libros de recetas para ollas de cocimiento lento. Si desea hacer alguna pregunta, llame a nuestro número de llamada gratis de asistencia al cliente. Tendremos mucho placer en ayudarlo.

Si usted ha USADO una olla eléctrica de cocimiento lento anteriormente

Usted está probablemente listo para crear nuevas recetas que se puedan usar en su olla de cocimiento lento. Si la receta original era para cocinar en una sartén o cacerola sobre una estufa eléctrica o a gas, o en el horno, será fácil adaptarla.

Nuestra olla eléctrica de cocimiento lento calienta de ambos lados. La base eleva la temperatura de la vasija lentamente. Ya sea que esté cocinando a temperatura Baja o Alta, la temperatura final de la comida será la misma, unos 200° F. La única diferencia es la cantidad de tiempo que se necesita para completar el proceso de cocción. Lea la sección sobre “Adaptación de Recetas” para obtener mayor información al respecto.

Esta olla eléctrica de cocimiento lento ha sido diseñada para llevar a los ingredientes rápidamente a la temperatura de cocimiento. Es posible que alcance un hervor completo y que cocine más rápido que las otras ollas eléctricas de cocimiento lento que usted haya tenido. Como esta olla eléctrica de cocimiento lento alcanza la temperatura de cocimiento más rápido, puede ser necesario que tenga que ajustar las recetas más viejas. Por ejemplo, es posible que tomen menos tiempo de cocimiento las recetas que piden ingredientes tales como alimentos en lata o precocidos.

Adaptación de recetas

Ciertos ingredientes no son adecuados para una cocción larga en una olla de cocimiento lento. La pasta, los mariscos, la leche, la crema o la crema agria se deberán agregar 2 horas antes de servir. La leche evaporada o las sopas condensadas son perfectas para este tipo de cocción.

Muchas cosas pueden afectar **el tiempo que se demorará en cocinar una receta.**

El contenido de agua y grasa del alimento, la temperatura del alimento, y su tamaño, afectarán el tiempo de cocción. Los alimentos cortados en trozos se cocinarán más rápido que bifes de res o pollos enteros.

La mayoría de las combinaciones de carne y vegetales requieren **por lo menos 7 horas** en la graduación Baja.

Cuanto mayor sea el contenido de grasa de la carne, menor será la cantidad de líquido requerida. **Si cocina carne con un alto**

contenido de grasa, coloque tajadas gruesas de cebolla debajo de la carne para evitar que la carne se apoye sobre el fondo y se cocine en su propia grasa.

Ciertas recetas indican que la carne se debe dorar antes de un cocimiento lento. Esta indicación se hace solamente **para eliminar el exceso de grasa o para dar color**; no es necesario hacerlo para que haya una buena cocción.

Las ollas de cocimiento lento tienen muy poca evaporación. Si está preparando su sopa, guisado o salsa favoritos, **reduzca el líquido o el agua** indicados en la receta original. Si la receta queda demasiado espesa, se puede agregar agua más tarde.

Si está cocinado una cazuela de tipo vegetal, será necesario **tener líquido en la receta para evitar que se quemé y se pegue** a los costados de la vasija.

Tazones dobles

Los tazones dobles ofrecen dos métodos diferentes de cocción: el método tradicional de cocimiento lento, o el método más rápido, con los “tazones en la vasija”, así como también le permite cocinar dos tipos diferentes de recetas al mismo tiempo.

Al usar los tazones dobles con agua en la vasija, funciona como un método tradicional de cocimiento lento. Sin embargo, es muy diferente cuando cocina con los tazones dobles en la base. Este es un método mucho más rápido de cocción y no tiene nada que ver con la olla tradicional eléctrica de cocimiento lento. Este método más rápido debe usarse cuando el tiempo es un factor importante o con recetas tales como sopas o guisados.

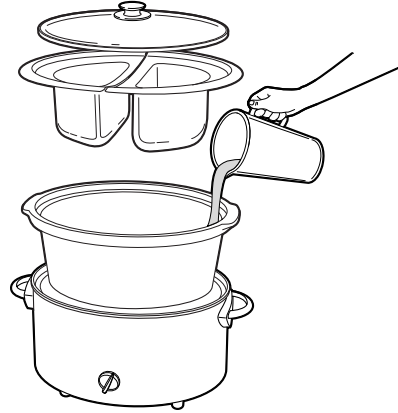
TAMAÑO DE LA OLLA ELÉCTRICA DE COCIMIENTO LENTO	CAPACIDAD DE LOS TAZONES DOBLES
6 cuartos	1¾ cuartos cada uno

Cómo usar los tazones dobles en la vasija

Antes del primer uso: Lave los tazones en agua caliente y jabonosa. Enjuague y seque.

NOTA: Cuando use los tazones en la vasija, **debe** usarse agua en la misma. De otro modo la vasija puede recalentarse y rajarse.

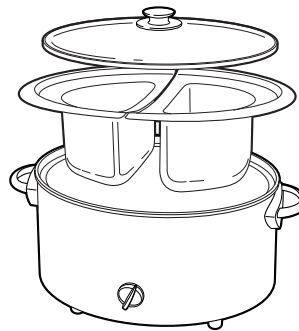
1. Vierta un cuarto de agua en la vasija. Prepare la receta según las instrucciones. Coloque el alimento en los tazones.
2. Coloque ambos tazones en la vasija. Cubra y coloque la perilla de control al ajuste deseado.
3. Cuando haya terminado, gire la perilla de control a Off (Apagado) y desenchufe la olla eléctrica de cocimiento lento. Saque con cuidado la tapa y luego los tazones, usando guantes para el horno.
4. Saque el alimento de los tazones. Deje que la vasija y la tapa se enfríen ligeramente antes de lavarlos.



Cómo usar los tazones dobles en la base

Antes del primer uso: Lave los tazones en agua caliente y jabonosa. Enjuague y seque.

1. Prepare la receta según las instrucciones. Coloque el alimento en los tazones.
2. Coloque ambos tazones en la base de la olla eléctrica de cocimiento lento. Cubra y coloque la perilla de control al ajuste deseado.
3. Cuando haya terminado, gire la perilla de control a Off (Apagado) y desenchufe la olla eléctrica de cocimiento lento. Saque con cuidado la tapa y luego los tazones, usando guantes para el horno.
4. Saque el alimento de los tazones. Deje que la tapa se enfríe ligeramente antes de lavarla.



Limpieza de la olla eléctrica de cocimiento lento

1. Coloque la perilla de control en la posición apagada (OFF). Desenchufe el cordón del tomacorriente.
2. Saque la vasija y la tapa de la base y deje que se enfríen.
3. Lave la vasija y la tapa en agua caliente y jabonosa. Enjuague y deje secar. La vasija y la tapa también se pueden lavar en el lavavajillas. Si tiene una tapa de plástico, colóquela en la rejilla superior del lavavajillas.
4. Limpie la base con un paño húmedo. No use productos de limpieza abrasivos.

PRECAUCIÓN: Para reducir el riesgo de choque eléctrico, no sumerja la base en agua.

Precauciones e información sobre la vasija y la tapa de vidrio

- Es importante tener cuidado con la vasija y la tapa para asegurar una larga duración.
- Evite cambios de temperatura repentinos o extremos. Por ejemplo, no coloque una vasija o tapa caliente en agua fría, ni sobre una superficie húmeda.
- Evite golpear la vasija y la tapa contra el grifo u otras superficies duras.
- No use la vasija o la tapa si están cascadas, rajadas o muy rayadas.
- No use productos de limpieza abrasivos ni esponjillas metálicas.
- El fondo de la vasija es muy áspero y puede dañar la mesera. Tenga cuidado.
- La vasija y la tapa se pueden calentar mucho. Tenga cuidado. No las coloque directamente sobre una superficie o mesera sin protección.
- La vasija se puede usar en hornos microondas y en hornos convencionales, pero nunca se debe calentar cuando esté vacía. Nunca coloque la vasija sobre un quemador o un hornillo. No coloque la tapa en un horno microondas, horno convencional o sobre un hornillo.

Recetas

Las recetas que aparecen a continuación están divididas en tres categorías diferentes:

- Usando una olla tradicional de cocimiento lento
- Usando los tazones dobles con agua en la olla de cocimiento lento
- Usando los tazones dobles en la base.

NOTA: Siga los encabezamientos para obtener los mejores resultados, ya que cada categoría requiere tiempos de cocción diferentes.

Botanas *(usando la olla tradicional de cocimiento lento)*

Salsa con queso

- 2 (2 libras) barras de queso para untar procesado y pasteurizado, cortado en trozos de 2 pulgadas
- 1½ cuartos de salsa
- 4 (6 onzas) latas de chiles verdes picados, sin escurrir
- 2-3 cucharadas de chile en polvo
- 2 cucharaditas de ajo en polvo
- 2 (8 onzas) bolsas de queso Monterrey Jack rallado

Combinar todos los ingredientes en la vasija. Revolver bien. Revolver a mitad del tiempo indicado de cocción. Servir con papas fritas.

**Cubra y cocine: Baja – 3 horas o
Alta – 1½ horas**

Alas de pollo picantes

- 8 libras de alas de pollo
- 1 taza de vinagre de sidra
- 2 cucharadas de salsa de chile picante
- 2 tazas de salsa de barbacoa

Enjuagar las alas de pollo en agua fría. Colocar los ingredientes en la vasija en el orden indicado, vertiendo salsa de barbacoa sobre todo.

**Cubra y cocine: Baja – 6 horas o
Alta – 3 horas**

Albóndigas dulces y picantes

- 5 libras de albóndigas cocidas congeladas
- 1 (12 onzas) tarro de jalea de uvas
- 1 (12 onzas) tarro de mermelada de grosellas
- 1 (12 onzas) botella de salsa de chile
- 1 (12 onzas) botella de salsa para cóctel

Combinar todos los ingredientes en la vasija. Revolver bien.

**Cubra y cocine: Baja – 6 horas o
Alta – 3 horas**

Botanas

(usando los TAZONES DOBLES en la OLLA DE COCIMIENTO LENTO)

Agasaje a sus amistades sin mucho esfuerzo con la olla de cocimiento lento y los tazones dobles. Después de haber cocinado la receta, la puede servir o puede colocar la perilla de control en la graduación "Keep Warm" para mantenerla caliente. Esto permitirá que su plato se mantenga a la temperatura perfecta para servir.

Salsa de queso

Nacho

1 bloque (1 libra) de queso
pasteurizado fundido
2 tazas de salsa

Nacho Picante

1 bloque (1 libra) de queso
pasteurizado fundido
2 tazas de salsa
1 lata (4 onzas) de pimientos jalapeños
cortados, sin escurrir

Corte el queso en trozos gruesos. Vierta la salsa en ambos tazones dobles. Agregue el queso a cada tazón. Luego, para la salsa de queso Nacho picante, mezcle los pimientos en uno de los tazones dobles. Vierta agua en la olla de cocimiento lento. Coloque los tazones en la olla de cocimiento lento.

Cubra y cocine: Temperatura Alta – 2 horas

Servir con chips de tortilla.

Salsa de frijoles

Refritos

2 latas (16 onzas) de frijoles refritos
1 paquete (1¼ onza) de condimento
para tacos
2 tazas de queso rallado Monterrey Jack

Picantes refritos

2 latas (16 onzas) de frijoles refritos
1 paquete (1¼ onza) de condimento
para tacos
2 tazas de queso rallado Monterrey Jack
1 lata (4 onzas) de pimientos picantes
cortados, escurridos.

Mezcle los frijoles, el condimento y el queso y coloque la mezcla en ambos tazones dobles. Mezcle los pimientos en uno de los tazones dobles. Vierta agua en la olla de cocimiento lento. Coloque los tazones en la olla de cocimiento lento.

Cubra y cocine: Temperatura Alta – 2 horas

Botanas *(Usando los TAZONES DOBLES en la BASE)*

Albóndigas

Sueca

1 lata (10½ onzas) de sopa de crema de champiñones
 ½ taza de agua
 1 sobre (¾ onzas) de mezcla para salsa de carne
 1½ libras de albóndigas cocidas congeladas, descongeladas

Picantes y dulces

½ taza de salsa de chile
 ½ taza de jalea de uvas
 ½ taza de mermelada de naranja
 1½ libras de albóndigas cocidas congeladas, descongeladas

Coloque las albóndigas en cada uno de los tazones dobles. Mezcle los ingredientes para salsa de cada receta y revuelva para mezclar. Vierta cada salsa en uno de los tazones. Coloque los tazones dobles en la base.

Cubra y cocine: Temperatura Alta – 1 hora

Perros calientes para cóctel

Sabrosos

½ taza de mostaza preparada
 ½ taza de catsup
 ½ taza de azúcar morena
 1½ libras de perros calientes o salchichas tamaño cóctel

Picantes y dulces

½ taza de salsa de chile
 ½ taza de jalea de uvas
 ½ taza de mermelada de naranja
 1½ libras de perros calientes o salchichas tamaño cóctel

Coloque los perros calientes o las salchichas en cada uno de los tazones dobles. Mezcle los ingredientes para salsa de cada receta y revuelva para mezclar. Vierta cada salsa en uno de los tazones. Coloque los tazones dobles en la base.

Cubra y cocine: Temperatura Alta – 1 hora

Plato principal/Entradas

(Usando la olla tradicional de cocimiento lento)

Guisado de carne de res de cocimiento lento

- 2 bolsa de una libra de minizanahorias
- 3 libras de cuarto delantero de res deshuesado y cortado en cubos
- 4 papas grandes, cortadas en cubos
- 2 (10¾ onzas) latas de crema de sopa de tomate condensada
- 1½ tazas de agua
- 2 (1.5 onzas) sobres de mezcla de especias para guisado de carne de res

Cortar las zanahorias por la mitad. Colocar la carne, las zanahorias y las papas en la olla eléctrica de cocimiento lento. En un tazón, batir la sopa, el agua y el paquete de especias. Verter sobre la carne y los vegetales.

Se obtienen unos 3 o 5 cuartos.

**Cubra y cocine: Baja – 8 horas o
Alta – 4 horas**

Plato hervido estilo Nueva Inglaterra

- 1 (4 libras) jamón ahumado deshuesado
- 2 (16 onzas) latas de papas enteras, escurridas
- 2 (16 onzas) bolsas de minizanahorias congeladas
- 1 (2 libras) de col, cortada en 6 trozos
- ½ taza de agua

Colocar la carne en la vasija y arreglar los vegetales alrededor. Agregar agua.

Se obtienen 4 u 8 porciones.

**Cubra y cocine: Baja – 6 horas o
Alta – 3 horas**

Salchichas y chucrut

- 2 (28 onzas) latas de chucrut
- 1 sobre de mezcla de sopa de cebolla deshidratada
- 1 (12 onzas) botella de cerveza
- 1 cucharada de salsa Worcestershire
- 4 libras de salchicha alemana o polaca cocinada

Combinar todos los ingredientes, a excepción de las salchichas, en la vasija. Revolver bien. Agregar la carne y revolver.

Se obtienen 6 o 12 porciones.

**Cubra y cocine: Baja – 6 horas o
Alta – 3 horas**

Plato principal/Entradas

(Usando la olla tradicional de cocimiento lento)

Carne a la cacerola estilo alemán

- ¾ taza de vinagre de sidra
- ¼ taza de catsup
- ½ taza de cebolla picada
- 1 (14 onzas) lata de caldo de carne de res
- 12 galletitas de jengibre
- 1 (0.8 onzas) sobres de mezcla de salsa morena
- 4 libras de cuarto delantero o cuarto trasero inferior de res deshuesado

Combinar todos los ingredientes, a excepción de la carne, en la vasija. Revolver bien. Agregar la carne y revolver bien para cubrirla con la mezcla.

Se obtienen entre 4 u 8 porciones.

**Cubra y cocine: Baja – 8 a 10 horas o
Alta – 4 a 5 horas**

Pollo a la hawaiana

- 6 libras de pechugas de pollo deshuesadas, sin piel y cortadas por la mitad
- 2 (16 onzas) latas de rodajas de piña, escurridas
- 2 (15 onzas) latas de mandarinas, escurridas
- ¼ taza de almidón de maíz
- ¼ taza de azúcar morena, apretada
- ¼ taza de jugo de limón
- ½ cucharadita de sal
- ½ cucharadita de jengibre molido

Combinar todos los ingredientes en la vasija. Revolver bien.

Se obtienen entre 6 y 8 porciones o 12 y 16 porciones.

**Cubra y cocine: Baja – 5 a 6 horas o
Alta – 3 a 4 horas**

Asado clásico de carne de res con salsa de hongos y cebolla

- 5 libras de cuarto delantero de res deshuesado
- 2 (1 onza) sobres de mezcla de sopa de cebolla deshidratada
- 2 (10 onzas) latas de sopa crema de champiñones condensada

Colocar la carne en la vasija. Espolvorear la carne con la sopa de cebolla y luego echar cucharadas de sopa sin diluir.

Se obtienen unas 6 o 10 porciones.

**Cubra y cocine: Baja – 8 horas o
Alta – 4 horas**

Plato principal/Entradas

(Usando la olla tradicional de cocimiento lento)

Carne de res a la cebolla

- ½ taza de salsa para bistec
- 4-5 libras de cuarto trasero o cuadril de res
- 2 cucharadas de cebolla picada deshidratada

Verter la salsa para bistec en la vasija. Colocar la carne y cubrir ambos lados con la salsa. Espolvorear cada lado con una cucharada de la cebolla deshidratada.

Se obtienen unas 6 o 14 porciones.

**Cubra y cocine: Baja – 10 horas o
Alta – 5 horas**

Albóndigas a la sueca

- 5 libras de albóndigas cocidas congeladas
- 2 (10½ onzas) latas de sopa crema de champiñones, sin diluir
- 2 (10½ onzas) latas de sopa de champiñones dorada, sin diluir
- 2 (14 onzas) latas de caldo de carne de res
- 2 (¾ onza) sobres de mezcla de salsa morena

Combinar todos los ingredientes en la vasija. Revolver bien.

Se obtienen unos 3 o 5 cuartos.

**Cubra y cocine: Baja – 6 horas o
Alta – 3 horas**

Sirva sobre arroz.

Libras de pecho

- 5 libras de pecho (corned beef) con especias para vinagreta
- 1 cebolla tamaño mediano, cortada en rodajas
- 2 zanahorias, cortadas en rodajas
- 2 tallos de apio, cortados en rodajas
- 1 taza agua

Colocar el corned beef en una olla eléctrica de cocimiento lento. Cubrir con las especias para vinagreta, la cebolla, las zanahorias y el apio. Agregar agua.

Se obtiene un corned beef de entre 3 y 5 libras.

**Cubra y cocine: Baja – 8 horas o
Alta – 4 horas**

Plato principal/Entradas

(Usando la olla tradicional de cocimiento lento)

Carne de res a la cacerola

- 5 libras de cuarto delantero de res deshuesado
- 2 cucharaditas de sal
- ½ cucharadita de pimienta
- 10 papas tamaño mediano, cortadas en cuartos
- 1 cebolla tamaño mediano, cortada en cuartos
- ½ taza de agua o caldo de carne de res

Espolvorear la carne con sal y pimienta. Colocar los vegetales en el fondo de la vasija. Cubrir con la carne. Agregar el líquido.

Se obtienen 6 o 10 porciones.

**Cubra y cocine: Baja – 8 a 10 horas o
Alta – 4 a 5 horas**

Barbacoa de cerdo estilo Carolina del Norte

- 6 libras de nalga, paleta o paletilla de cerdo deshuesada
- 2 (14 onzas) latas de tomates en trozos
- 1 taza de vinagre
- 4 cucharadas de salsa Worcestershire
- 2 cucharadas de azúcar
- 2 cucharadas colmadas de escamas de chiles triturados
- 2 cucharadas de sal
- 4 cucharaditas de pimienta negra

Combinar todos los ingredientes en la vasija.

Se obtiene una barbacoa de entre 3 y 5 libras.

**Cubra y cocine: Baja – 8 a 10 horas o
Alta – 5 horas**

Retirar y cortar la carne en tiras para servir.

Guisado de carne de res estilo italiano

- 4 libras de cubos de carne de res deshuesada para guisar
- 3 (10 onzas) cajas de vegetales mezclados congelados
- 2 (15 onzas) latas de salsa de tomate
- 1 cucharada de salsa Worcestershire
- ¼ taza de cebolla picada
- 2 (1.5 onzas) sobres de mezcla de especias para guisado de carne de res

Combinar todos los ingredientes en la vasija. Revolver bien.

Se obtienen unos 3 o 5 cuartos.

**Cubra y cocine: Baja – 8 horas o
Alta – 4 horas**

Plato principal/Entradas

(Usando la olla tradicional de cocimiento lento)

Chile

- 1½ libras de salchicha italiana picante, sin piel
- 1½ libras de carne de res magra picada
- 1 media cebolla, picada
- 2 (¾ onza) sobre de mezcla de especias para chile
- 2 (16 onzas) latas de frijoles en forma de riñón, escurridos
- 2 (14 onzas) latas de tomates en trozos
- 2 (6 onzas) latas de pasta de tomates
- 2 (15 onzas) latas de caldo de gallina/pollo

Desmenuzar la salchicha y la carne picada en una sartén grande. Agregar la cebolla. Cocinar parcialmente la salchicha, la carne picada y la cebolla a temperatura media-alta. Colocar la mezcla de carne cocinada en la vasija. Agregar el resto de los ingredientes.

Se obtienen unos 3 o 5 cuartos.

**Cubra y cocine: Baja – 8 horas o
Alta – 4 horas**

Barbacoa tejana de carne de res

- 6 libras de pecho de res
- 2 (18 onzas) botellas de salsa para barbacoa ahumada
- 2 (1.25 onzas) sobres de especias para chile
- 2 cucharaditas de ajo picado
- 2 cucharaditas de jugo de limón
- 2 cucharadas de salsa Worcestershire
- 1 taza de cebolla picada

Combinar todos los ingredientes, a excepción de la carne, en la vasija. Revolver bien. Agregar la carne y revolver bien para cubrir.

Sacar la carne y cortarla en tiras. Volver a ponerla en la vasija. Revolver bien. Servir sobre bolillos calientes.

Se obtienen 8 o 16 porciones.

**Cubra y cocine: Baja – 10 horas o
Alta – 5 horas**

Plato principal/Entradas

(Usando los TAZONES DOBLES en la OLLA DE COCIMIENTO LENTO)

Pollo y Zanahorias Glaseadas

- | | |
|--|---------------------------------------|
| 4 pechugas de pollos deshuesadas (alrededor de 1½ lbs) | 1 bolsa (16 onzas) de mini-zanahorias |
| 1 lata (10 onzas) de sopa de crema de apio condensada | ¼ taza de mantequilla, derretida |
| | ¼ taza de azúcar morena |

Coloque las pechugas de pollo y la sopa en capas en un tazón doble. Corte las zanahorias a la mitad, a lo largo. Combine las zanahorias, mantequilla y azúcar morena en el otro tazón. Vierta agua en la olla de cocimiento lento. Coloque los tazones en la olla de cocimiento lento.

Se obtienen 4 porciones.

Cubra y cocine: Temperatura baja – entre 5 y 6 horas

Rosbif y papas

- | | |
|---|--|
| 2 libras de carne vacuna para rosibif | 1 cucharada de aceite vegetal |
| ¼ taza de agua | 1 cucharadita de condimento de hierbas italianas |
| 1 sobre de mezcla para sopa de champiñones | |
| 1½ libra de papas pequeñas coloradas nuevas | |

Corte la carne para acomodarla en un tazón doble. Agregue el agua y espolvoree la mezcla para sopa. Corte las papas a la mitad o en cuartos, en trozos no más grandes que una pelota de golf. Mezcle las papas con el aceite y el condimento de hierbas. Vierta en el otro tazón doble. Vierta agua en la olla de cocimiento lento. Coloque los tazones en la olla de cocimiento lento.

Se obtienen entre 4 y 6 porciones.

Cubra y cocine: Temperatura baja – 8 horas

Chuletas de lomo de cerdo y manzanas horneadas

- | | |
|---|--|
| 4 chuletas de lomo de cerdo deshuesadas y gruesas (alrededor de 1½ lbs) | 3 manzanas grandes tipo "Golden Delicious" (peladas, sin centro y cortadas a la mitad) |
| ¼ taza de jugo de manzana | 1 cucharada de mantequilla, derretida |
| ¼ taza de azúcar morena | 1 cucharada de azúcar |
| 1 cucharada de salsa de soja | ¼ cucharadita de canela |

Coloque las chuletas en un tazón doble. Combine el jugo de manzana, el azúcar morena, la salsa de soja y deje gotear sobre las chuletas. Coloque las manzanas en otro tazón doble. Deje gotear la mantequilla sobre las manzanas y luego espolvoree con azúcar y canela. Vierta agua en la olla de cocimiento lento. Coloque los tazones en la olla de cocimiento lento.

Se obtienen 4 porciones.

Cubra y cocine: Temperatura baja – entre 6 y 7 horas

Plato principal/Entradas

(Usando los TAZONES DOBLES en la OLLA DE COCIMIENTO LENTO)

Tortas de rosbif y cebolla

- 2½ libras de carne vacuna para rosbif
- ¼ taza de salsa de soja
- 1 cucharada de azúcar morena
- 1 cucharadita de sal
- 1 cucharadita de jengibre molido
- 2 cebollas grandes, peladas y cortadas
- 1 cucharada de agua
- 1 cucharada de salsa Worcestershire
- Panecillos o tortas

Corte la carne en tajadas finas y colóquelas en un tazón doble. Combine la soja, el azúcar morena, la sal y el jengibre y vierta la mezcla sobre la carne. Coloque las rodajas de cebolla, el agua y la salsa Worcestershire en el otro tazón doble. Vierta agua en la olla de cocimiento lento. Coloque los tazones en la olla de cocimiento lento.

Se obtienen entre 6 y 8 porciones.

Cubra y cocine: Temperatura baja – 6 horas

Sirva en panecillos o tortas.

Salchicha Kolbassa y Frijoles Italianos

- 1 paquete de 1 libra de salchichas Kolbassa pre-cocidas.
- ¼ taza de cerveza o de agua
- 1 lata de 16 onzas de frijoles rojos comunes, escurridos
- 1 lata de 16 onzas de garbanzos, escurridos
- 1 lata de 16 onzas de frijoles "Great Northern", escurridos
- ½ cucharadita de condimentos de hierbas italianas
- ¼ cucharadita de sal

Corte la salchicha para acomodarla en un tazón doble. Agregue la cerveza o el agua. Coloque los frijoles y los condimentos en el otro tazón doble. Agite y mezcle. Coloque los tazones dobles en la base.

Se obtienen 4 porciones.

Cubra y cocine: Temperatura alta – 2 horas

Plato principal/Entradas

(Usando los TAZONES DOBLES en la BASE)

Jamón y papas

- Jamón de 2 libras para buffet cocido y deshuesado
- 2 cucharadas de agua
- 3 latas (16 onzas) de papas enteras, escurridas
- ¼ cucharadita de sal
- ½ cucharadita de perejil deshidratado

Coloque el jamón y el agua en un tazón doble. Corte el jamón para acomodarlo, si fuese necesario. Coloque las papas en el otro tazón doble y espolvoree con sal y perejil. Coloque los tazones dobles en la base.

Se obtienen 4 porciones.

Cubra y cocine: Temperatura alta – 2 horas

Frijoles y salchichas

- 1 paquete de 1 libra de perros calientes
- 2 cucharadas de agua
- 3 latas (15 onzas) de puerco y frijoles
- 1 sobre de mezcla para sopa de champiñones
- Panecillos para perros calientes

Coloque los perros calientes en el agua en un tazón doble. Vierta los frijoles y la mezcla para sopa en el otro tazón doble. Agite y mezcle. Coloque los tazones dobles en la base.

Se obtienen 6 porciones.

Cubra y cocine: Temperatura alta – 2 horas

Opuestos

(Usando los TAZONES DOBLES en la OLLA DE COCIMIENTO LENTO)

Budín de pan

Vainilla

- 1 lata (12 onzas) de leche evaporada
- 2 huevos
- 2 cucharadas de mantequilla, derretida
- ¾ taza de azúcar morena
- 1 cucharadita de canela
- 2 cucharaditas de vainilla
- 6 rodajas de pan, cortadas en trozos de 1 pulgada (unas 6 tazas)

Chispas de chocolate

- 1 lata (12 onzas) de leche evaporada
- 2 huevos
- 2 cucharadas de mantequilla, derretida
- ¾ taza de azúcar morena
- 2 cucharaditas de vainilla
- 1 taza de chispas de chocolate (“chocolate chips”)
- 5 rodajas de pan, cortadas en trozos de 1 pulgada (unas 5 tazas)

Rocíe los tazones dobles con aceite comestible en aerosol. Coloque 6 tazas de cubos de pan en un tazón doble. Mezcle 5 tazas de cubos de pan y las chispas de chocolate y colóquelos en el otro tazón doble. Mezcle la leche, los huevos, la mantequilla y el azúcar morena y viértalos en cada uno de los tazones dobles. Aplaste los cubos de pan hasta que todos queden humedecidos. Vierta agua en la olla de cocimiento lento. Coloque los tazones dobles en la olla de cocimiento lento.

Cubra y cocine: Temperatura alta – 3 horas

Opuestos

(Usando los TAZONES DOBLES en la BASE)

Salsa vegetariana y con carne para spaghetti

- 8 onzas de carne magra picada, cocida y desmenuzada
- ½ taza de cebolla picada
- 2 cucharaditas de aceite vegetal
- 1 lata (28 onzas) de tomates pisados
- 1 lata (14 onzas) de tomates en cubos
- 1 lata (12 onzas) de pasta de tomates
- 1 lata (6 onzas) de champiñones cortados, escurridos
- 1½ tazas de agua
- 1 cucharadita de condimento italiano deshidratado
- 1 cucharadita de albahaca deshidratada
- 1 cucharadita de sal
- 1 cucharadita de azúcar

Coloque la carne picada y cocida en un tazón doble. En una sartén sobre calor mediano a alto, haga saltar la cebolla en aceite hasta que se ablande. Coloque la cebolla en el otro tazón doble. En un tazón grande, combine los tomates, la pasta, los champiñones, el agua y los condimentos. Agite y mezcle. Divida la mezcla de tomate a la mitad; una mitad para cada tazón doble. Coloque los tazones en la base.

Cubra y cocine: Temperatura alta – 2 horas

Chile Vegetariano y Chile con Carne

- ½ taza de cebolla
- 2 cucharaditas de aceite vegetal
- 1 lata (15 onzas) de frijoles "Great Northern", escurridos
- 1 lata (15 onzas) de frijoles comunes, escurridos
- 1 lata (15 onzas) de frijoles negros, escurridos
- 1 lata (14 onzas) de tomates en cubos
- 1 lata (8 onzas) de salsa de tomate
- 1 sobre (¾ onza) de condimento para chile
- 8 onzas de carne magra picada, cocida y desmenuzada

En una sartén sobre calor mediano a alto, haga saltar la cebolla en aceite hasta que se ablande. Coloque la cebolla, los frijoles, los tomates, la salsa y el condimento en un tazón grande y agite hasta que queden mezclados. Coloque la carne cocida en un tazón doble. Divida la mezcla de chile a la mitad, una mitad en cada tazón doble. Coloque los tazones en la base.

Cubra y cocine: Temperatura alta – 2 horas

Opuestos

(Usando los TAZONES DOBLES en la BASE)

Postre Fondue

Chocolate

- 1 caja (8 onzas) de chocolate sin azúcar para hornear
- 1 caja (8 onzas) de chocolate amargo para hornear
- 1 caja (8 onzas) de chocolate blanco para hornear
- 1 lata (14 onzas) de leche condensada azucarada
- 1 taza de leche

Caramelo

- 1 bolsa (14 onzas) de caramelos (2 tazas)
- 1 caja (6 onzas) de chocolate blanco para hornear
- 1 lata (14 onzas) de leche condensada azucarada

Coloque todos los ingredientes de chocolate y de leche en un tazón doble. Coloque los caramelos desenvueltos, el chocolate blanco y la leche en el otro tazón doble. Coloque los tazones dobles en la base. Use el fondue para cubrir frutas, galletas o cubos de pastel.

Cubra y cocine: Temperatura alta – 45 minutos, luego agite y cocine otros 15 minutos

Variado *(Usando la olla tradicional de cocimiento lento)*

Papas nuevas asadas

- 6 libras de papas nuevas rojas (pequeñas), sin pelar
- 2 cucharadas de aceite de oliva
- 2 sobres de mezcla de aderezo (vinagreta para ensalada) italiano picante

Las papas deben ser del tamaño de una pelotilla de golf. Si no lo son, se deberán cortar por la mitad o en cuatro.

Verter el aceite en una bolsa de plástico, agregar las papas y agitar para cubrirlas bien. Agregar el aderezo de ensalada y agitar bien hasta que las papas estén totalmente cubiertas. Colocar las papas en la vasija.

Se obtienen 8 o 14 porciones.

**Cubra y cocine: Baja – 7 a 8 horas o
Alta – 4 horas**

Variado *(Usando la olla tradicional de cocimiento lento)*

Papas horneadas

Frotar y lavar las papas para hornear y perforar la piel en varios lugares con un tenedor. Apilar las papas en forma de pirámide en la vasija de manera que no toquen los costados.

Cubra y cocine: **Baja – 8 a 9 horas o**
Alta – 5 horas

Guisado fácil de papas

- 2 (2 libras) bolsas de papas “hash browns” estilo sureño, congeladas
- 2 (10 onzas) latas de sopa de queso cheddar condensada
- 2 (12 onzas) latas de leche evaporada
- 4 cucharadas de mantequilla, derretida
- 1 cucharadita de sal

Colocar las papas en la vasija. Combinar la sopa, leche, manteca y sal. Revolver para mezclar y luego verter sobre las papas. Revolver suavemente para mezclar.

Se obtienen unas 10 o 20 porciones.

Cubra y cocine: **Baja – 6 a 7 horas**

*** Se recomienda usar solamente la temperatura Baja para esta receta.**

Manzanas horneadas

- 2 manzanas grandes para hornear (Roma o York)
- 4 cucharadas de jugo de limón
- 4 cucharadas de mantequilla, derretida
- 6 cucharadas de azúcar morena
- 1 cucharadita de nuez moscada
- 2 cucharaditas de canela

Pelar, quitar el centro y cortar las manzanas por la mitad. Colocar en la vasija. Rociar con jugo de limón y manteca. Espolvorear con azúcar y especias. Para servir, cubrir con helado de vainilla.

Se obtienen entre 10 y 20 porciones.

Cubra y cocine: **Baja – 4 horas o**
Alta – 2 horas

Variado *(Usando los TAZONES DOBLES en la BASE)*

Nueces pacanas

Azucarada

1 libra de mitades de nueces pacanas
 ⅓ taza de mantequilla, derretida
 ½ taza de azúcar impalpable
 ½ cucharadita de canela
 ¼ cucharadita de jengibre

Picantes

1 libra de mitades de nueces pacanas
 ¼ taza de mantequilla, derretida
 2 cucharaditas de polvo de chile
 1 cucharadita de sal de ajo

Mezcle los ingredientes para cada receta y colóquelos en los tazones dobles.
 Coloque los tazones en la base.

Cubra y cocine: Alta – 1 hora

Sidra sazónada y con alcohol

2½ cuartos de sidra de manzana
 1 cucharadita de canela
 ½ cucharadita de pimienta de Jamaica
 ½ cucharadita de clavo molido
 ¼ cucharadita de nuez moscada
 1½ tazas de bourbon

Combine la sidra y las especias. Vierta 1½ cuartos en un tazón doble. Agregue el bourbon al resto de la sidra. Vierta la sidra con alcohol en el otro tazón doble.
 Coloque los tazones en la base.

Cubra y cocine: Alta – 1½ horas

Café moca

Regular

¼ taza de café instantáneo en polvo
 2 sobres de mezcla para cacao instantáneo
 1 cuarto de agua caliente
 1 taza de leche

Descafeinado

¼ taza de café instantáneo descafeinado en polvo
 3 sobres de mezcla para cacao instantáneo
 1 cuarto de agua caliente
 1 taza de leche

Mezcle los ingredientes para cada receta y colóquelos en los tazones dobles.
 Coloque los tazones en la base.

Cubra y cocine: Alta – 1½ horas

Asistencia al Cliente

Si desea hacer un reclamo bajo esta garantía, sírvase llamar a nuestro Número de Asistencia al Cliente. Para un servicio más rápido es importante que tenga el número de modelo, de serie y de tipo listos para que el operador lo pueda ayudar. Estos números se pueden encontrar en la parte inferior de su olla eléctrica de cocimiento lento.

MODELO: _____ **TIPO:** _____ **SERIE:** _____

Número de Asistencia al Cliente: 1-877-207-0923

¡Guarde este número para referencia futura!

Solicitud de información por e-mail: www.gehousewares.com

Garantía Limitada de Dos Años

¿Qué cubre su garantía?

- Todo defecto de material o mano de obra.

¿Por cuánto tiempo después de la compra inicial?

- Dos años.

¿Qué haremos?

- Le suministraremos una unidad nueva.

¿Cómo hacer un reclamo bajo garantía?

- Guarde su recibo.
- Empaque su unidad debidamente. Recomendamos usar la caja y los materiales de empaque originales.
- Devuelva el producto a su tienda WAL*MART más cercana o llame al Número de Asistencia al Cliente al 1-877-207-0923.

¿Qué es lo que la garantía no cubre?

- Partes de vidrio, envases de vidrio, cortador/colador, cuchillas y/o agitadores.
- Uso comercial o cualquier otro uso que no se encuentre en las instrucciones impresas.
- Daños debido al mal uso, abuso, o negligencia.
- Productos comprados o reparados fuera de los Estados Unidos.

¿Cuál es la relación entre las leyes estatales y esta garantía?

- Esta garantía le otorga derechos legales específicos, y es posible que usted también tenga otros derechos que varían de un estado al otro.
- WAL*MART expresamente niega toda responsabilidad por daños consecuentes o pérdidas incidentales causadas por el uso de este aparato. Ciertos estados no permiten esta exclusión o limitación de pérdidas incidentales o consecuentes de manera que es posible que el descargo de responsabilidad que antecede no corresponda en su caso.

¿Qué sucede si usted adquirió su producto en los Estados Unidos, Canadá o México y encuentra un problema cuando lo está usando fuera del país de compra?

- La garantía es válida solamente en el país de compra y si usted sigue el procedimiento de reclamo bajo garantía que se indica.



es una marca de comercio
de General Electric Company
usada bajo licencia por
WAL*MART Stores, Inc.
Bentonville, AR 72716

WAL*MART Stores, Inc.
Bentonville, AR 72716

840085800

24

7/01